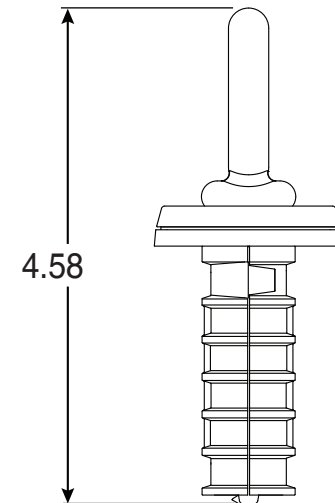
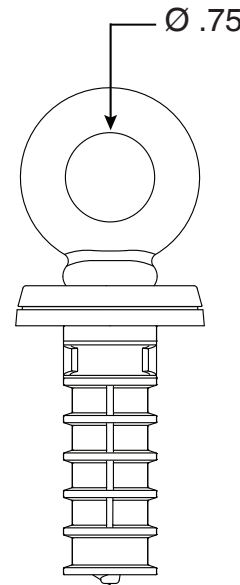
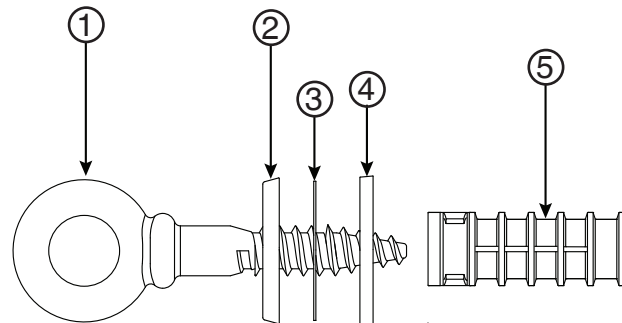
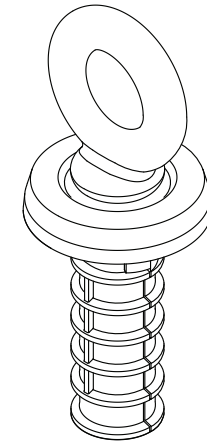
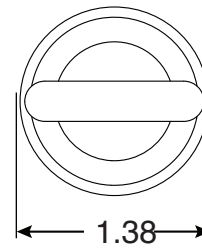




# Concrete Eye Anchor

Part No.  
PI-74S

Parts List		
Part #	QTY	Description
1	1	PI-74S Lag Rope Eye
2	1	Chrome Plated Bezel
3	1	Nylon Washer
4	1	Rubber Gasket
5	1	5/8" Lag Shield



- Chrome Plated Bronze
- Rope Eye with Lag Shield

\*Drill Deck 3/4" Dia x 2" Deep

**Important** - Clear all debris from hole before inserting the lag shield.

Page 1 of 1



Perma-Cast Co. Pueblo, CO  
www.permacastonline.com  
Call 800-748-2770