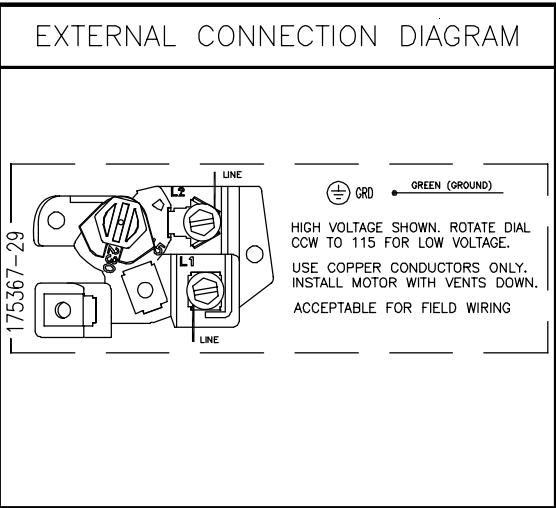


REV	ECO	REV BY	DATE	APPD	DATE
E	0028432	R.ZHOU	09-20-2012	B.SHEN	09-20-2012

NAMEPLATE DATA	
MODEL: 196259	
CUST PN: B2846	
HP: 1/2	SF: 1.95
ROT: CCWPE	
RPM: 3450	
TYPE: CX	CODE: N
FORM:	FRAME: P 56 Y
VOLTS: 230/115	
AMPS: 5.4/10.8	
MAX AMPS:	
SF AMPS:	
PH: 1	HZ: 60
INS: F	AMB: 50°C
DUTY: CONT	
ENCLOSURE: ODP	
THERMALLY PROTECTED	



- NOTES
- FOR THREADED SHAFT EXT. ECCENTRICITY OF THREADED PORTION OF SHAFT IS HELD WITHIN .004[.10] TOTAL GAGE READING WITH THE INDICATOR ON O.D. OF GROUND RING GAGE AS SHOWN. THE GAGE BEING STATIONARY WITH RESPECT TO THE ROTOR.
  - END PLAY NOT TO EXCEED .010[.25] MEASURED WITH NO THRUST.
  - ALL DIMENSIONS SHOWN IN PARENTHESIS ARE REFERENCE DIMENSIONS.
  - FINISH PAINT TO BE BLACK.
  - REFERENCE MODEL: B846.
  - CONNECTED FOR 230V. DUAL VOLTAGE MOTOR. SEE CONNECTION DIAGRAM TO CHANGE VOLTS TO 115V.

PERFORMANCE CURVE	APPROVED SAMPLE		
16345117	0601045		
UL COMPONENT	CSA		
FILE#	CCN#	FILE#	GUIDE#
PENDING	PENDING	PENDING	PENDING
CUSTOMER	DISTRIBUTION		

GEOMETRIC CHARACTERISTICS & SYMBOLS

- FLATNESS
- STRAIGHTNESS
- ∠ ANGULARITY
- ⊥ PERPENDICULARITY (SQUARENESS)
- // PARALLELISM
- ROUNDNESS (CIRCULARITY)
- ∅ CYLINDRICITY
- △ PROFILE OF ANY SURFACE
- ∩ PROFILE OF ANY LINE
- ↗ RUNOUT
- ⊕ TRUE POSITION
- ◎ CONCENTRICITY
- ≡ SYMMETRY

ASME Y14.5M 1994

UNLESS OTHERWISE SPECIFIED DIM. TOLERANCES ARE AS FOLLOWS:

INCH	±.1	±.02	±.005	±.0005
mm	±0.5	±0.13	±0.013	

ANG. ±.50 DEG  
REMOVE BURRS & BREAK SHARP EDGES:  
INCH .003-.015 mm 0.1-0.4  
CORNER FILLETS TO:  
INCH .020 mm 0.5  
MACHINE SURFACES:  
INCH 125 mm 3.2

METRIC DIMS. SHOWN IN [BRACKETS]

DR BY: BL 08-24-2009

APPD: SH 08-24-2009

THIRD ANGLE PROJECTION

EDS DATE 11-11-2011  
FORMAT REV H

CONFIDENTIAL: THIS DRAWING AND ITS INFORMATION ARE THE EXCLUSIVE AND CONFIDENTIAL PROPERTY OF REGAL-BELOIT CORPORATION AND ARE NOT TO BE DISCLOSED, DUPLICATED, DISTRIBUTED OR OTHERWISE USED WITHOUT THE WRITTEN CONSENT OF REGAL-BELOIT CORPORATION. -ALL RIGHTS RESERVED.

**REGAL REGAL-BELOIT CORPORATION**

DESCRIPTION: MODEL-CFHP-56FR OUTLINE

SIZE: C DWG NO: B2846

SCALE: NONE SHEET: 1

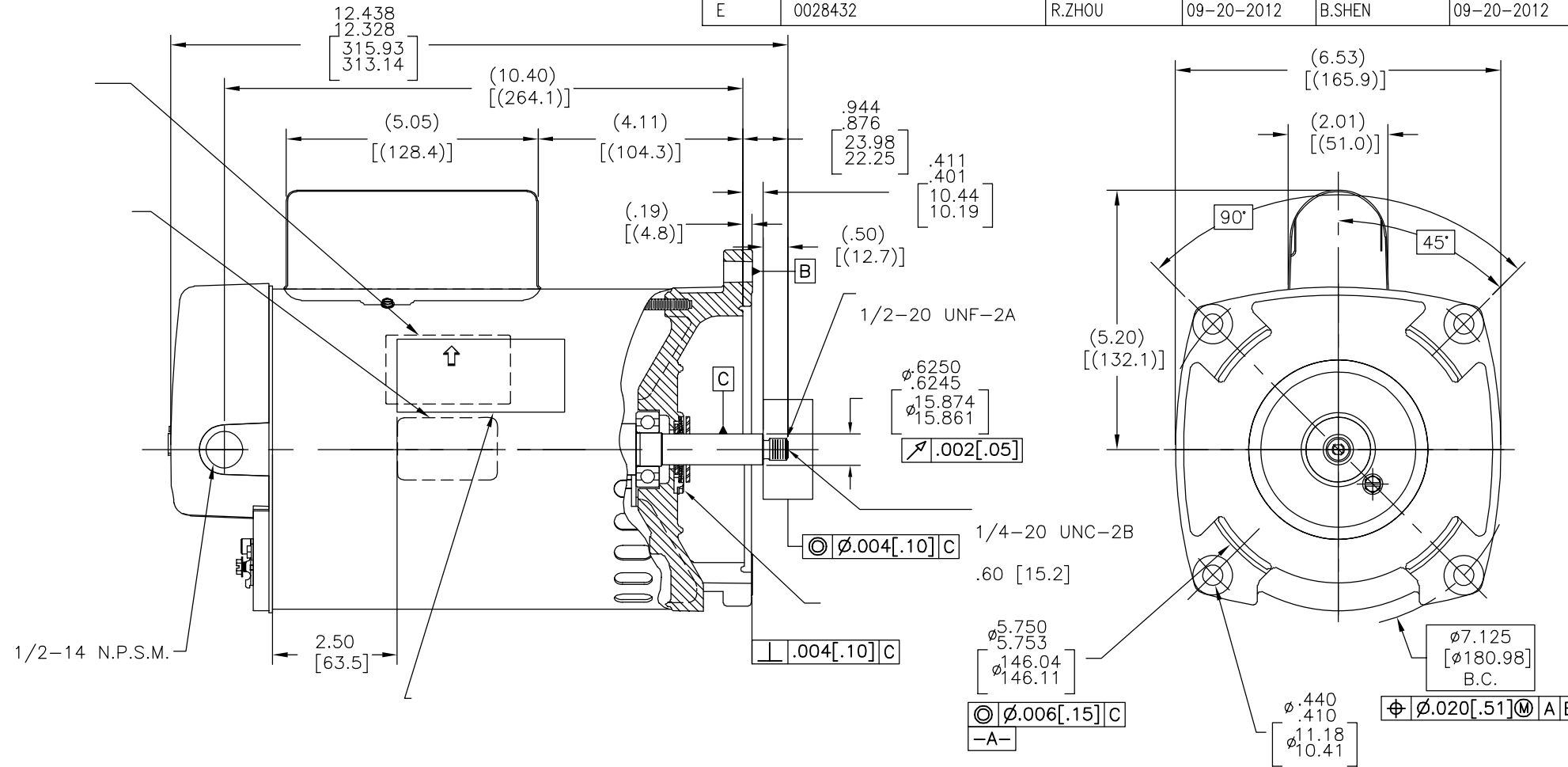
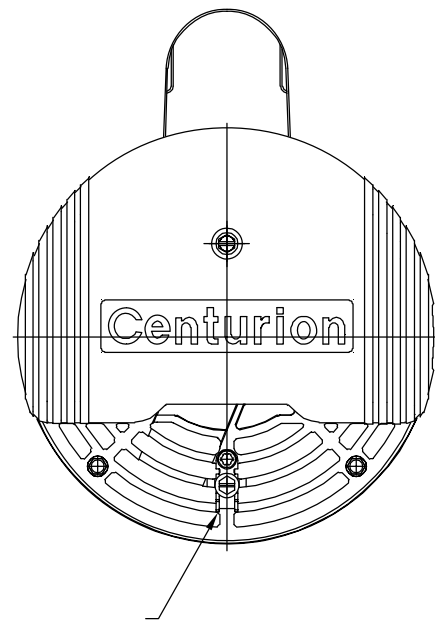
4

3

2

1

REVISION:	ECO	REVISADO POR:	FECHA:	APROBADO POR:	FECHA:
E	0028432	R.ZHOU	09-20-2012	B.SHEN	09-20-2012



NAMEPLATE DATA	EXTERNAL CONNECTION DIAGRAM	NOTES
MODEL: 196259 CUST PN: B2846 HP: 1/2 SF: 1.95 ROT: CCWPE RPM: 3450 TYPE: CX CODE: N FORM: FRAME: P 56 Y VOLTS: 230/115 AMPS: 5.4/10.8 MAX AMPS: SF AMPS: PH: 1 HZ: 60 INS: F AMB: 50°C DUTY: CONT ENCLOSURE: ODP THERMALLY PROTECTED		

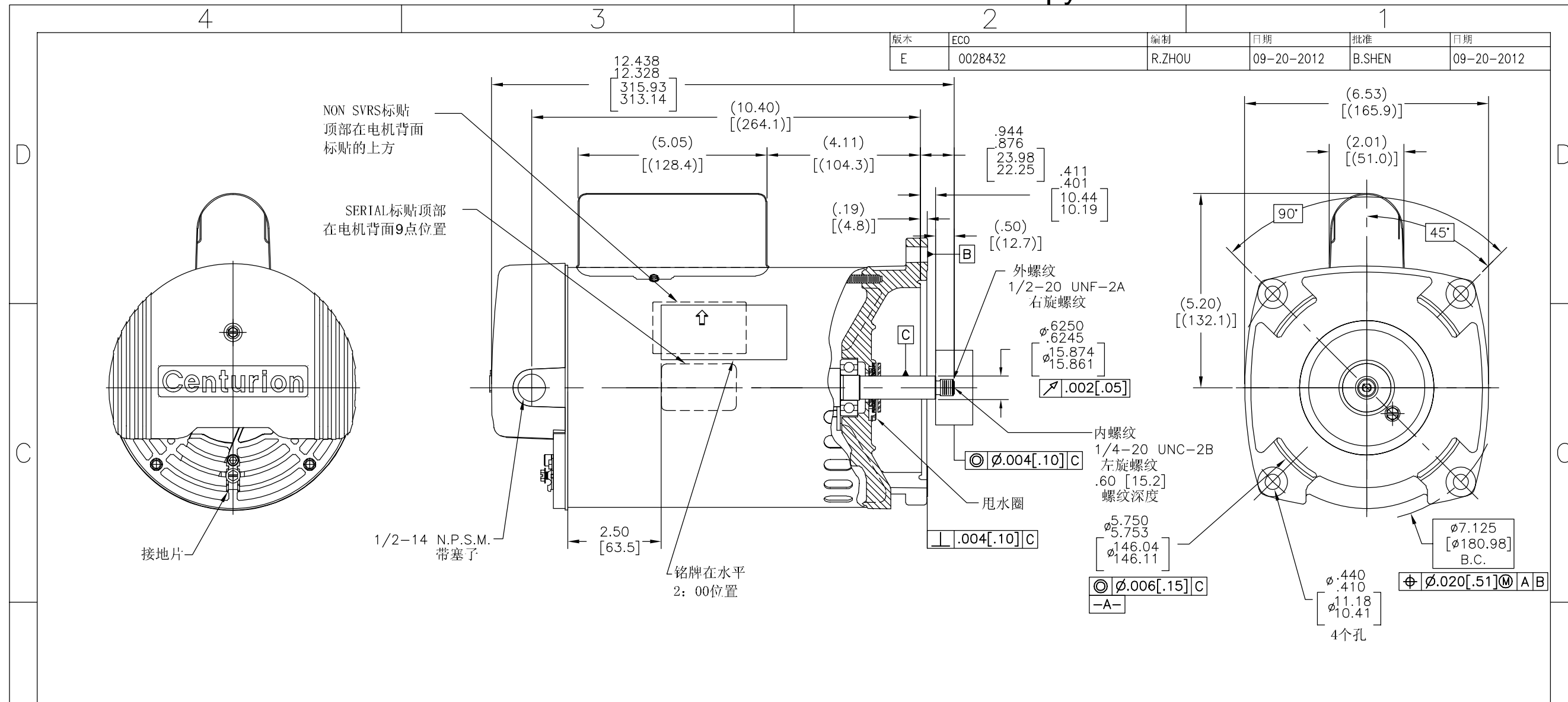
PERFORMANCE CURVE	APPROVED SAMPLE	CARACTERISTICAS DE GEOMETRIA Y SIMBOLOS □ PLANICIDAD — RECTITUD ∠ ANGULARIDAD ⊥ PERPENDICULARIDAD (A ESCUADRA) // PARALELISMO ○ REDONDEZ (CIRCULARIDAD) ∅ CILINDRICIDAD △ PERFIL DE CUALQUIER SUPERFICIE ∩ PERFIL DE CUALQUIER LINEA ↗ VARIACION ⊕ POSICION REAL ⊙ CONCENTRICIDAD = SIMETRIA	A MENOS QUE SE ESPECIFIQUE DE OTRA MANERA, LAS TOLERANCIAS DE LAS DIMS; SON LAS SIGUIENTES: PULG ±.1 ±.02 ±.005 ±.0005 mm ±0.5 ±0.13 ±0.013 ANG. ±.50 GRADOS ELIMINAR REBABAS Y ORILLAS FILOSAS DEL BORDE. PULG .003-.015 mm 0.1-0.4 FILETEAR ESQUINA: PULG .020 mm 0.5 MAQUINAR SUPERFICIES PULG 125 mm 3.2 DIMS METRICAS MOSTRADAS [PARENTESIS]	DIBUJADO POR: BL	08-24-2009	<b>REGAL-BELOIT CORPORATION</b> DESCRIPCION: MODEL-CFHP-56FR OUTLINE TAMAÑO: C NUMERO DE DIBUJO: B2846 ESCALA: NONE HOJA: 1
16345117	0601045			APROBADO POR: SH	08-24-2009	
UL COMPONENT	CSA			TERCER ANGULO DE PROYECCION	FECHA EDS: 11-11-2011 REV. FORMATO: H	
FILE#	CCN#			FILE#	GUIDE#	
PENDING	PENDING	PENDING	PENDING			
CUSTOMER	DISTRIBUTION					

4

3

2

1



NAMEPLATE DATA		EXTERNAL CONNECTION DIAGRAM	NOTES
MODEL: 196259 CUST PN: B2846 HP: 1/2 SF: 1.95 ROT: CCWPE RPM: 3450 TYPE: CX FORM: CODE: N FRAME: P 56 Y VOLTS: 230/115 AMPS: 5.4/10.8 MAX AMPS: SF AMPS: PH: 1 HZ: 60 INS: F AMB: 50°C DUTY: CONT ENCLOSURE: ODP THERMALLY PROTECTED		<p>175367-29</p> <p>GRD GREEN (GROUND)</p> <p>HIGH VOLTAGE SHOWN. ROTATE DIAL CCW TO 115 FOR LOW VOLTAGE.</p> <p>USE COPPER CONDUCTORS ONLY. INSTALL MOTOR WITH VENTS DOWN. ACCEPTABLE FOR FIELD WIRING</p>	1. 量规测量方法如图所示, 螺纹外径与中心的同心度为.004[.10]. 2. 轴向窜动不超过.010[.25]. 3. 括号内尺寸为参考尺寸. 4. 表面黑色漆. 5. 参考型号: B846 6. 连接是为了230V双电压电机, 从连接图表上看出可以转换成115V.

PERFORMANCE CURVE	APPROVED SAMPLE	形位公差 □ 平面度 — 直线度 ∠ 倾斜度 ⊥ 垂直度 ∥ 平行度 ○ 圆度 ⊘ 圆柱度 ⌒ 面轮廓度 △ 线轮廓度 ⊙ 圆跳动 ⊕ 位置度 ⊖ 同轴度 ≡ 对称度	除另有注明 尺寸公差如下: 英寸 X XX XXX XXXX 毫米 ±.1 ±.02 ±.005 ±.0005 ±0.5 ±0.13 ±0.013 角度 ±.50度 清理毛刺和尖棱 英寸 .003-.015 毫米 0.1-0.4 内圆角 英寸 .020 毫米 0.5 表面粗糙度 英制 125 米制 3.2	绘图: BL	08-24-2009	<b>REGAL-BELOIT CORPORATION</b> 名称: MODEL-CFHP-56FR OUTLINE 图幅: C 图号: B2846 比例: NONE 页号: 1
16345117	0601045			批准: SH	08-24-2009	
UL COMPONENT	CSA	ASME Y14.5M 1994	米制尺寸显示在L			
FILE#	CCN#	FILE#	GUIDE#			
PENDING	PENDING	PENDING	PENDING			
CUSTOMER	DISTRIBUTION					