

Wet Rotor Pumps - Coming Spring 2012



F-Series

Introducing our NEW wet rotor canned motor water feature pump. We designed multi purpose flexibility right into the pump; they can be used submersed or externally and vertically or horizontally. With NPT threads and SPIG fittings built in, attaching fittings is a breeze. The included prefilter makes these pumps built for flexibility and durability in any decorative water application.

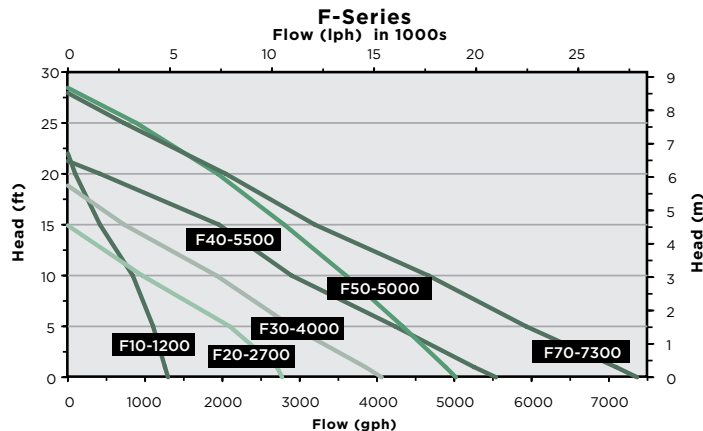
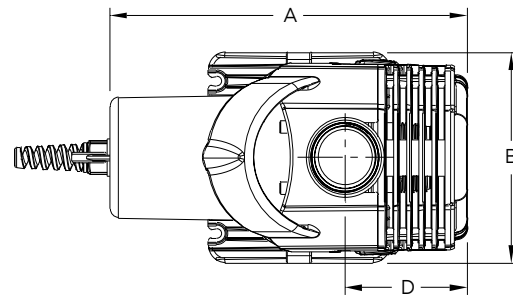
- Constructed without mechanical seal or oil
- Screw attachment to hold screen in place
- Rope/cable loop for deep installation retrieval
- Modular screen ability



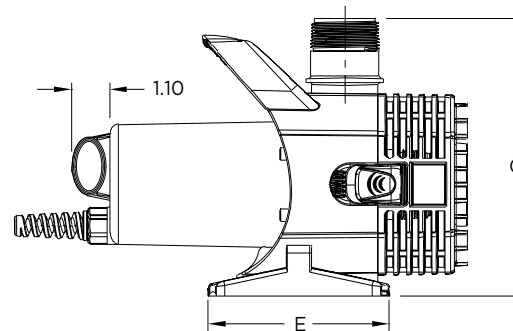
F-SERIES	Item Number	Watts	Cord (ft)	Submerged Use	Inline Use	Discharge & Inlet MNPT & SPIG	Gallons Per Hour (GPH) at height						Shut Off (ft)	
							0'	1'	5'	10'	15'	20'		25'
F10-1200	566724	157	20'	✓	✓	1.5"	1296	1256	1103	840	416	96	-	22'
F20-2700	566725	147	20'	✓	✓	1.5"	2772	2706	2095	961	-	-	-	14.9'
F30-4000	566726	215	20'	✓	✓	2"	4060	3850	2897	1922	729	-	-	18.8'
F40-5500	566727	360	20'	✓	✓	2"	5540	5256	4233	2894	1956	416	-	21.3'
F50-5000	566728	413	20'	✓	✓	2"	5020	4888	4332	3599	2799	1938	885	28.5'
F70-7300	566729	660	40'	✓	✓	2"	7365	7093	5929	4664	3196	2042	723	28'

DIMENSIONS (INCHES)

	A	B	C	D
F10-1200	9.93	5.71	7.54	3.40
F20-2700	9.93	5.71	7.54	3.40
F30-4000	13.25	6.10	8.00	5.60
F40-5500	13.25	6.10	8.00	5.60
F50-5000	13.25	6.10	8.00	5.60
F70-7300	13.25	6.10	8.00	5.60



*Pump performance at 120 VAC and no intake screen



Little GIANT®

Outdoor Living

HOTLINE 888.956.0000

lg-outdoor.com

