

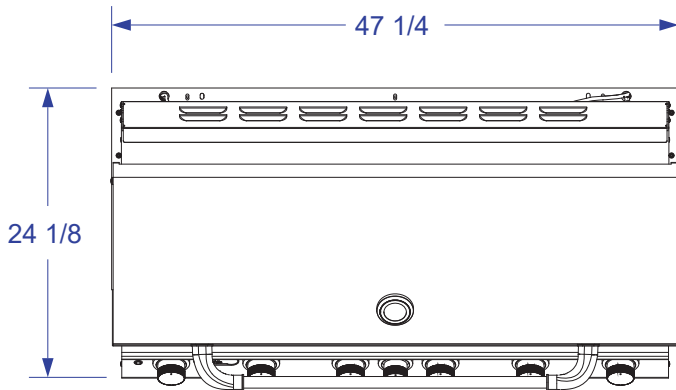
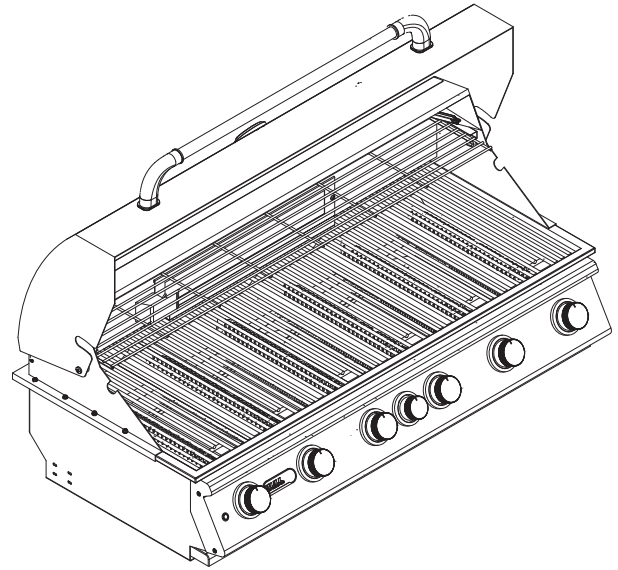


DIABLO GRILL

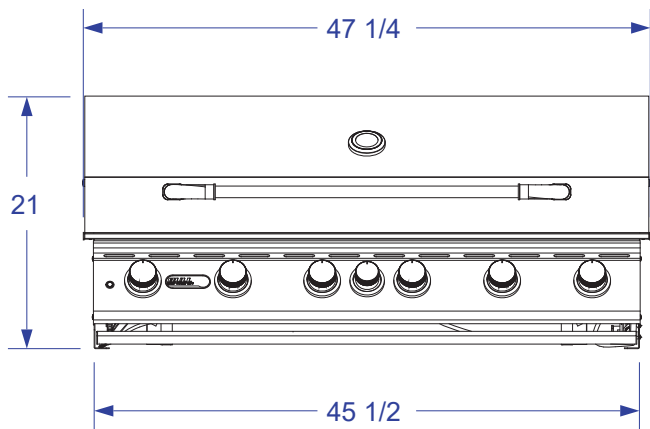
SPEC SHEET

ITEM# 62648 LP

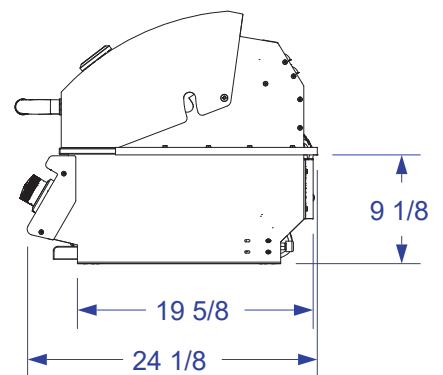
ITEM# 62649 NG



TOP VIEW



FRONT VIEW



RIGHT SIDE VIEW

NOTES:

1. CUTOUT DIMENSIONS: 46"W X 21"D X 9 1/2"H
2. ISLAND MUST BE CONSTRUCTED OF NON-COMBUSTIBLE MATERIAL.
3. SCALE: 3/4" = 1'-0"