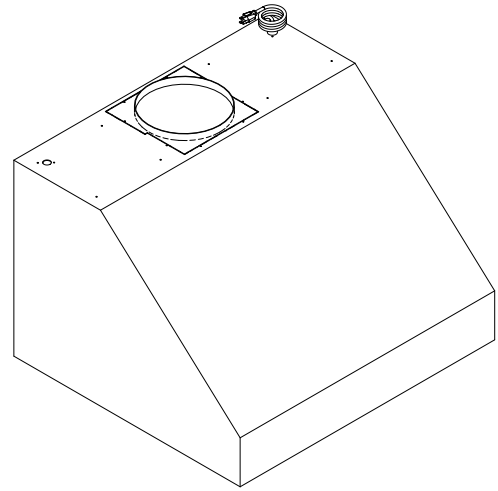
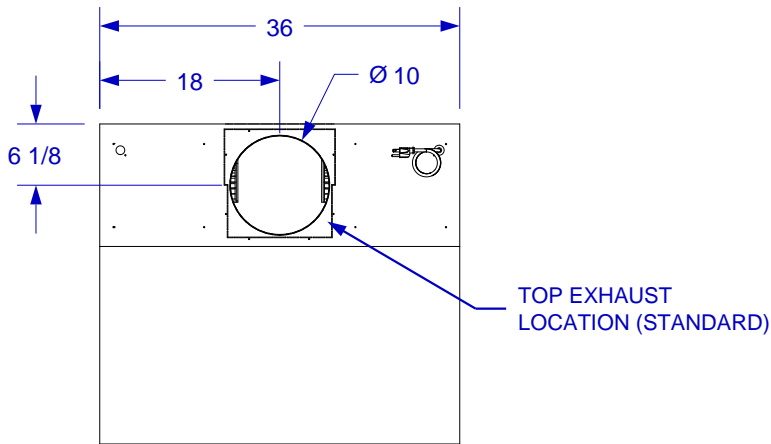




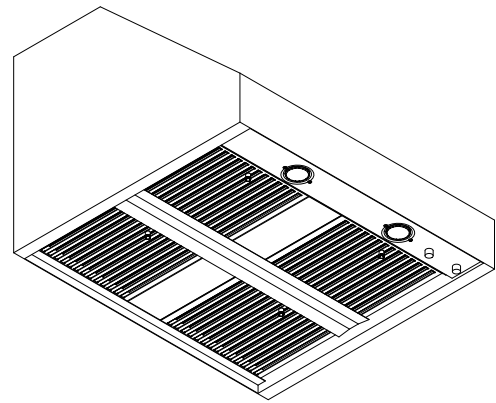
VENT HOOD SPEC SHEET



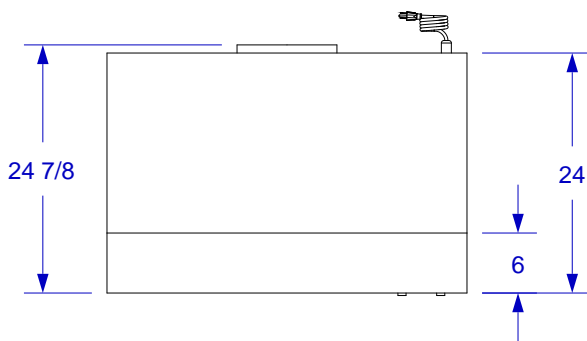
TOP ISOMETRIC VIEW



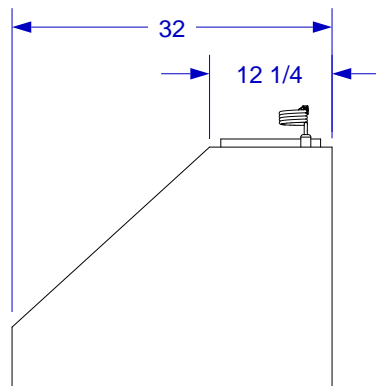
TOP VIEW



BOTTOM ISOMETRIC VIEW

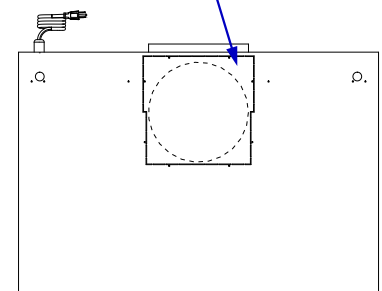


FRONT VIEW



RIGHT SIDE VIEW

REAR EXHAUST LOCATION
(OPTIONAL KNOCKOUT)



BACK VIEW

- NOTES:**
1. 1250 CFM
2. SCALE: 5/8" = 1'-0"
3. REVISION: 08/2010