

18" SQUARE MUD FRAME WITH FOUR 9" SQUARE MOFLOW[™] SUCTION OUTLET COVERS

VGB Series

The AquaStar line of suction outlet covers, compliant with the Virginia Graeme-Baker Pool and Spa Safety Act (ANSI/APSP 16-2011 and NSF/ANSI 50-2009a)

FEATURES

For single or multiple drain use
6" sump depth
(see installation instructions)

Single –
Floor only: 293 GPM at .6 fps

Floor only: 687.7 GPM at 1.5 fps
Floor only: 458.5 GPM at 1.0 fps

When 1.0 or 1.5 fps installations are not required, always use the lower tested flow rate

147.1 square inch opening

Trademarked VGB compliance button easily identifies VGB 2008 compliant cover from on deck and underwater

#316 stainless steel screws

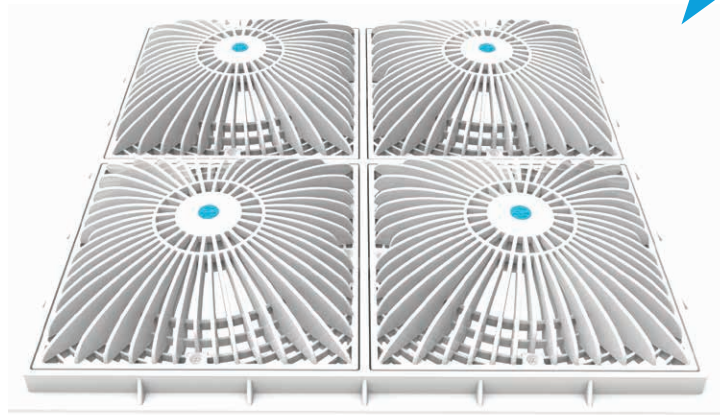
Manufactured from superior UV-resistant engineered polymers

See installation instructions for details and special requirements

All components (covers, frame, screws) meet or exceed ANSI/APSP 16-2011 and NSF/ANSI 50-2009a national standards and ASTM G154 UV testing exposure

Replace every five years from the date of installation

4 per case



Part # 18MFxxx

Grates fit: AquaStar (standard 18" square frames), Pentair (#1 selling) with 3/4" deep existing window grid frame and 4x4 screw hole pattern

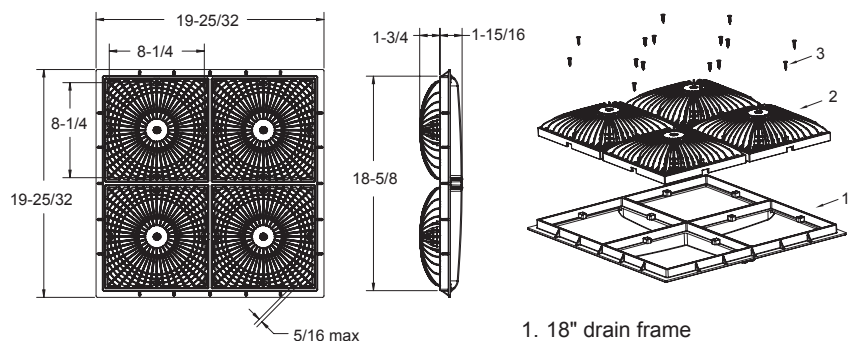
STANDARD COLORS

- 18MF101 – White
- 18MF102 – Black
- 18MF103 – Light Gray
- 18MF104 – Blue
- 18MF105 – Dark Gray
- 18MF108 – Tan

Also available with four grates only for 3/4" deep retrofits
p/n 18MFNFxxx

Also available with four grates only for 1" deep retrofits
p/n R18MFNFxxx

VGB 2008 Compliant



1. 18" drain frame
2. 9" square MoFlow suction outlet cover, qty 4
3. #10 x 3/4" lg flat head Phillips Type A screw, 316 ss, qty 16