

4

3

2

1

D

D

C

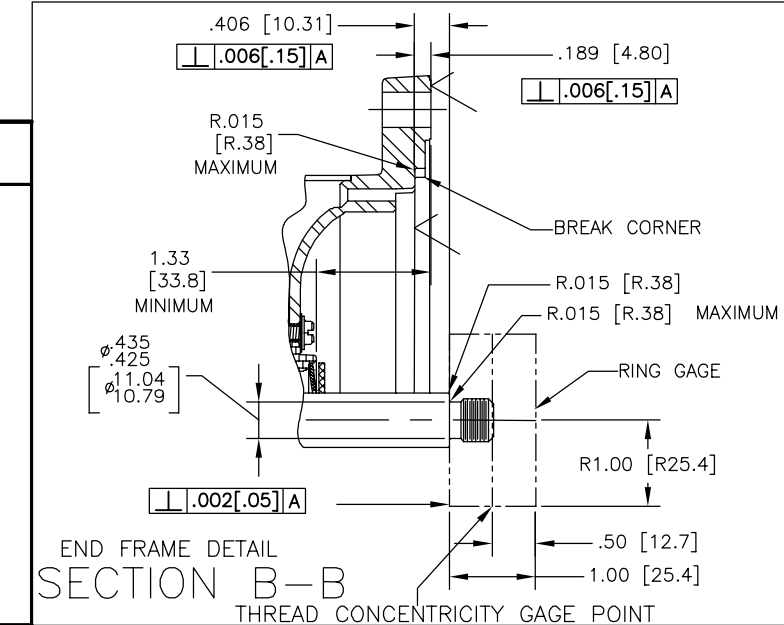
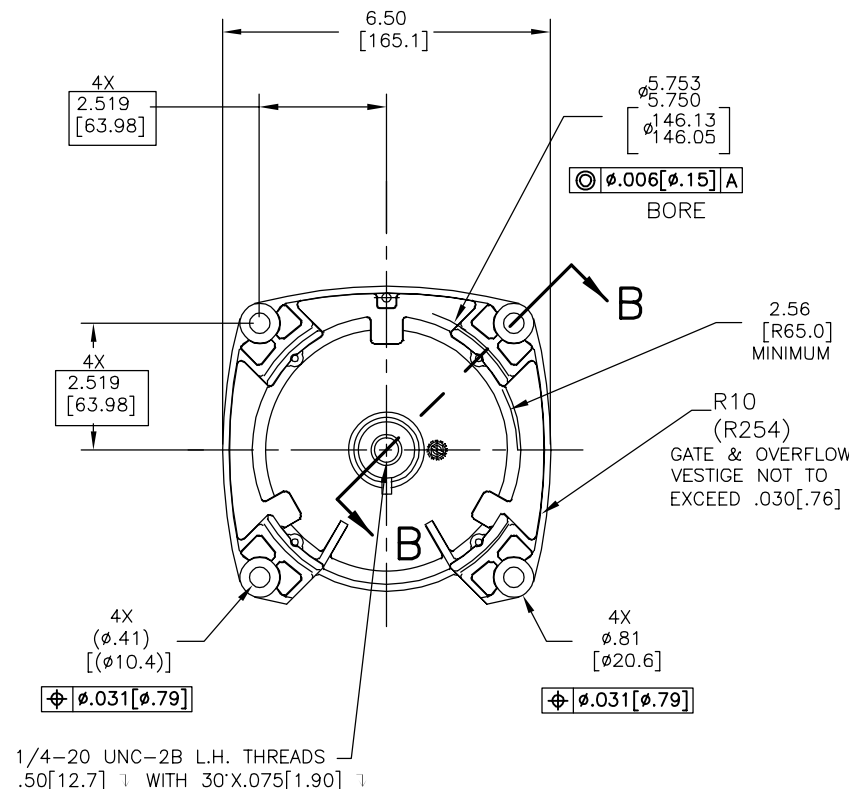
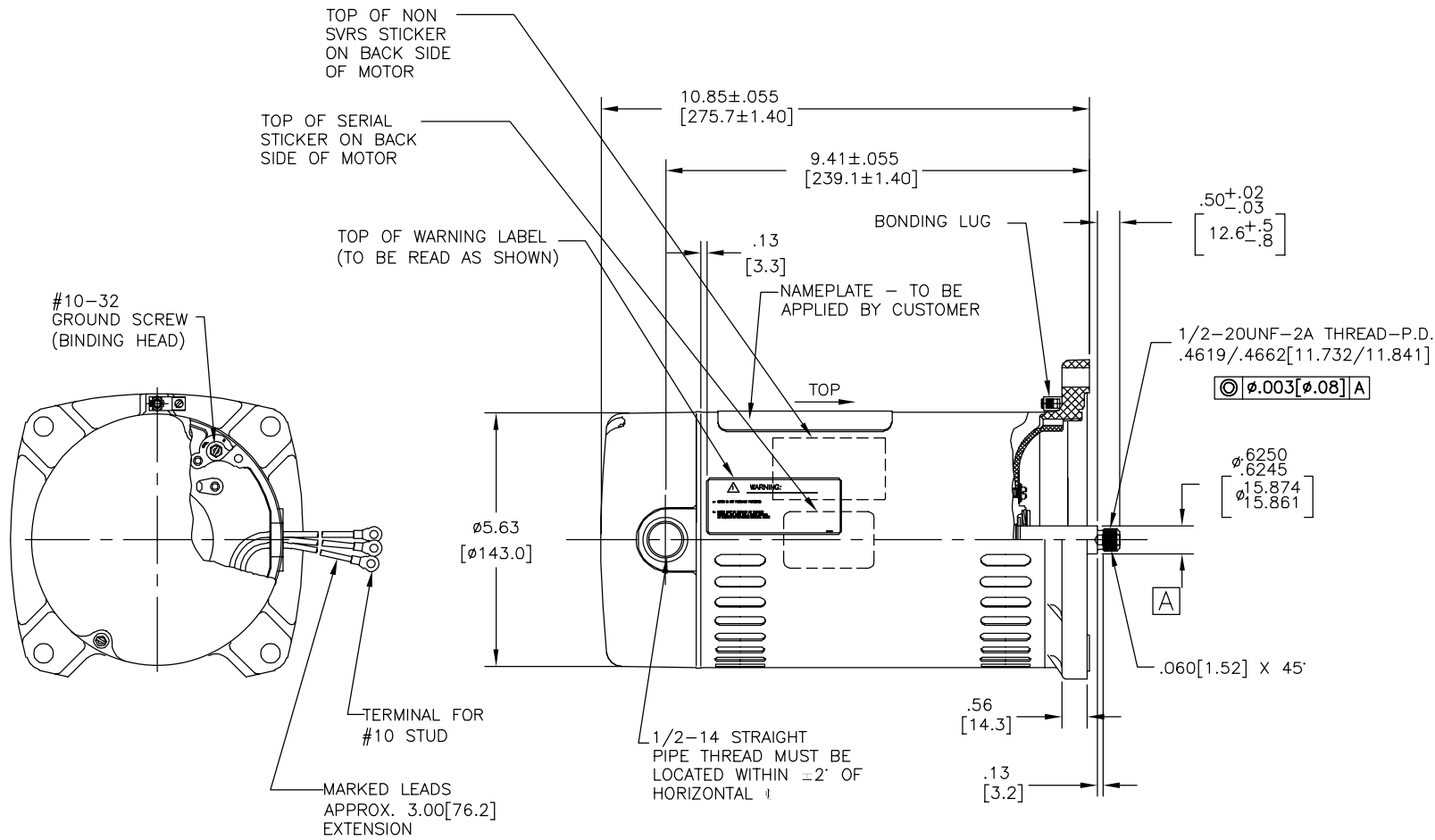
C

B

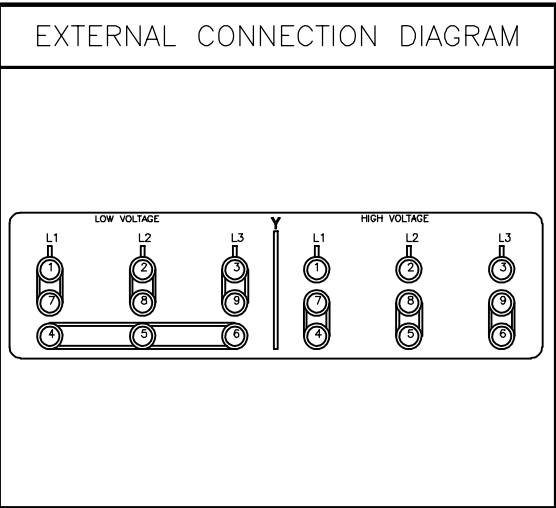
B

A

A



NAMEPLATE DATA	
MODEL: P48L2EB7A1	
CUST PN: Q3102	
HP: 1.0	SF: 1.65
ROT: CCWPE	
RPM: 3450	
TYPE: P	CODE: M
FORM:	FRAME: 48Y
VOLTS: 208-230/460	
AMPS:	
MAX AMPS: 4.7/2.35	
SF AMPS: -	
PH: 3	HZ: 60
INS: B	AMB: 50°C
DUTY: CONT	
ENCLOSURE: ODP	
THERMALLY PROTECTED: NONE	



- NOTES
1. FINISH PAINT TO BE BLACK LACQUER.
 2. 7/16 WRENCH FLATS ON SHAFT - FOR ACCESS TO THIS WRENCH FLAT REMOVE END COVER
 3. STAINLESS STEEL SHAFT EXTENSION
 4. LIMITS ON AMPLITUDE OF VIBRATION MEASURED AT BEARING HOUSING = .001 [.03].

PERFORMANCE CURVE	APPROVED SAMPLE		
P48L2W3			
UL COMPONENT	CSA		
FILE#	CCN#	FILE#	GUIDE#
E46412	PRGY2	LR43341	4211-01
CUSTOMER	DISTRIBUTION SERVICES		

DRAWING REVISION	REVISION BY	DATE	TOLERANCES UNLESS OTHERWISE SPECIFIED	DRAWN BY:
E	J.C. ESTRADA	09-10-2014	DEC. INCH mm ANGLE	JLG
ECO	APPROVED BY	DATE	.X ±0.1 [±2.5] ±0.5°	DATE:
0058354			.XX ±0.02 [±0.51]	05-12-2009
ECO DESCRIPTION			.XXX ±0.005 [±0.127]	APPROVED BY:
SEE ECO			.XXXX ±0.0005 [±0.0127]	
<small>COPYRIGHT REGAL BELOIT AMERICA, INC. ALL RIGHTS RESERVED. PROPRIETARY AND CONFIDENTIAL INFORMATION - THIS DOCUMENT IS THE PROPERTY OF REGAL BELOIT AMERICA, INC. (OWNER) AND CONTAINS OWNER'S PROPRIETARY INFORMATION. ANY PERSON, CORPORATION OR OTHER FIRM RECEIVING IT IS DEEMED, BY RECEIVING IT, TO AGREE THAT IT, AND/OR ANY PART OF IT, SHALL NOT BE DISCLOSED TO ANY PERSON, CORPORATION OR OTHER ENTITY, DUPLICATED, AND/OR USED, EXCEPT AS EXPRESSLY APPROVED IN WRITING IN ADVANCE BY OWNER. THIS DOCUMENT SHALL BE RETURNED TO OWNER UPON REQUEST. IT MAY BE SUBJECT TO CERTAIN RESTRICTIONS UNDER APPLICABLE EXPORT CONTROL LAWS AND REGULATIONS.</small>			REMOVE BURRS & BREAK SHARP EDGES .003/.015 [0.076/.381] CORNER FILLETS .02 [1.51] MACHINED SURFACES 125 INCH/mm 32 mm SHOWN IN [BRACKETS]	REFERENCE: MATERIAL: PROCESS/FINISH:

REGAL Regal Beloit America, Inc.	DESCRIPTION MODEL-PFHP-48FR OUTLINE	SIZE DWG NO C 3102	SHEET 1
-------------------------------------	---	-----------------------	------------

4

3

2

1