

48-FRAME CENTER AND SIDE DISCHARGE PUMPS

IMPORTANT SAFETY INSTRUCTIONS

When installing this electrical equipment, basic safety precautions should always be followed, including the following.

READ AND FOLLOW ALL SAFETY INSTRUCTIONS:

WARNING: Risk of electrical shock. Connect only to a Ground-Type Receptacle protected by a Ground-Fault Circuit Interrupter (GFCI).

Potential risk of fire, electric shock or injury to person if misused. Do not install within an outer enclosure or beneath the skirt of the spa unless so marked.

WARNING: To reduce the risk of injury, do not permit children to use the product unless they are closely supervised at all times.

CAUTION: This pump is for use with permanently installed pools and may also be used with hot tubs and spas if so marked. Do not use with storable pools. Storable pools are constructed so that they may be readily disassembled for storage and reassembled to their original integrity.

SAVE THESE INSTRUCTIONS!

INSTALLATION

Location:

Place pump on level surface. Pump must be installed below water level. Shut-off valves should be installed on both the inlet and outlet of the pump for future maintenance. Installation area should have adequate floor drainage. Pump should be protected from excessive moisture. Allow access area large enough to service both pump and plumbing.

Pump Connections:

The inlet and outlet have Waterway male union threads. Use Waterway tailpiece assemblies for best connections. These unions allow the pump to be removed for service without disturbing the plumbing.

HAND TIGHTEN UNIONS ONLY!

DO NOT use a wrench or any adhesives or solvents!

DO NOT use pipe sealant. Use only Teflon or other sealing compounds approved for use with plastic. Some pipe sealants are not approved for use with plastics and will cause stress cracking of plastic parts. New Installations often require plumbing inspections. This inspection is usually conducted using

city water pressure. This test should not exceed 40 PSI during the pressure test. When the filter and pump are under pressure, insure that all air is removed from the system. Extreme care must be taken during the pressure test. Failure to follow test instructions explicitly can result in personal injury and warranties will be voided.

Motor Wiring:

1. Turn power off before working on any electrical connections.
2. All wiring must conform to local or national codes.
3. All wiring must conform to the wiring diagram on the motor nameplate or on the back of the terminal cover.
4. Incoming line voltage must be within 10% of the nameplate voltage.
5. A solid copper bonding conductor no smaller than No. 8 AWG should be connected from the wire connector on the motor to all metal parts of the spa or hot tub structure, and, to all electrical equipment, metal conduit, and metal piping within five feet of the inside walls of a swimming pool, spa or hot tub when the motor is installed within five feet of the inside walls of the spa or hot tub.
6. **DO NOT** ground to a gas supply line.
7. Ground motor prior to connecting to electrical power.
8. Improper grounding can cause serious injury and damage to the motor, voiding the warranty.

WARRANTY

Supreme, Hi-Flo Center and Side Discharge pumps will receive a limited warranty from any defect in material or workmanship of one year from the date of manufacture. This includes the motor, but not the motor seal.

Products that fail or become defective during the warranty period, except as a result of improper installation, bad water chemistry, accidents or negligence on behalf of the owner, freezing, earthquakes, fire, floods or other acts of nature, shall be repaired or replaced at Waterway's option without charge to the owner. This process will be completed within 90 days of receipt of the defective product barring delays caused by the acquisition of component parts not manufactured at our facility.

To obtain warranty replacements or repair, defective products should be returned (transportation paid) to the place of purchase, or to Waterway. It should include a description of the defect and the circumstances surrounding the incident or problem.

Warranty begins on the date of manufacture. Waterway shall not be responsible for cartage, removal and/or reinstallation labor, or any other such costs incurred in obtaining warranty replacements.

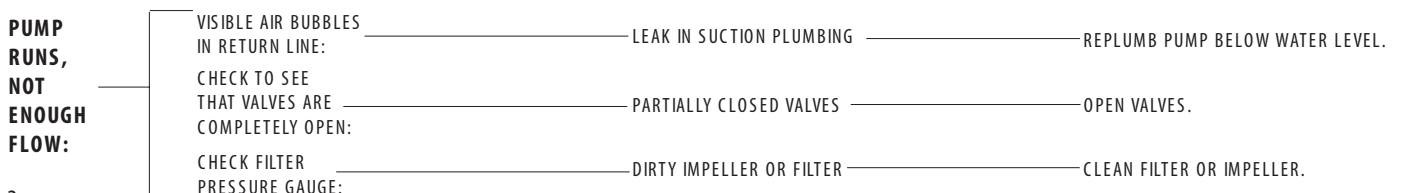
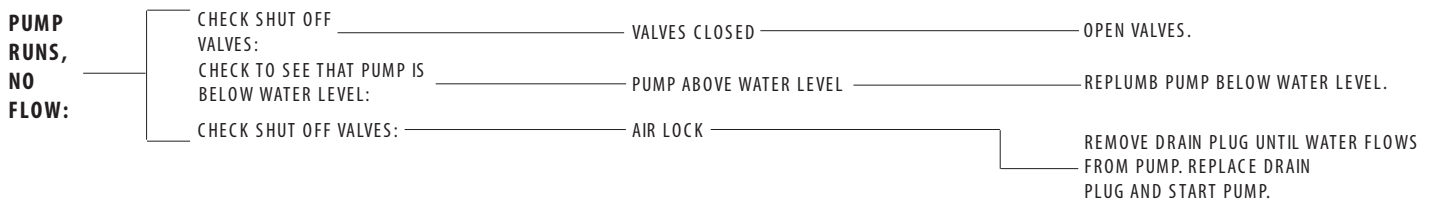
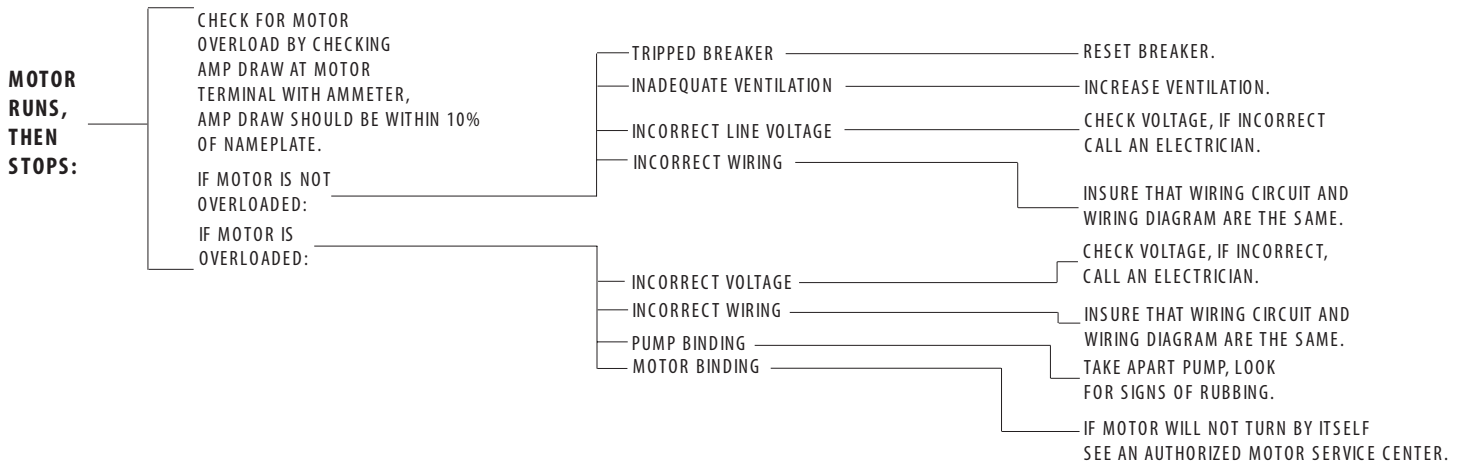
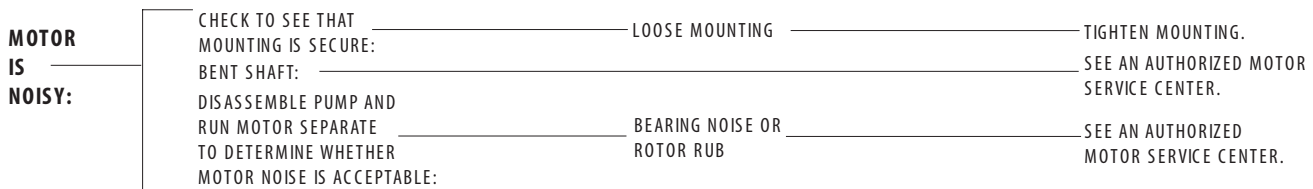
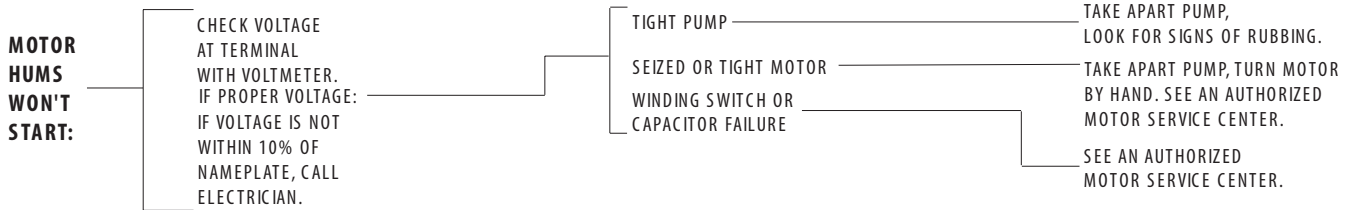
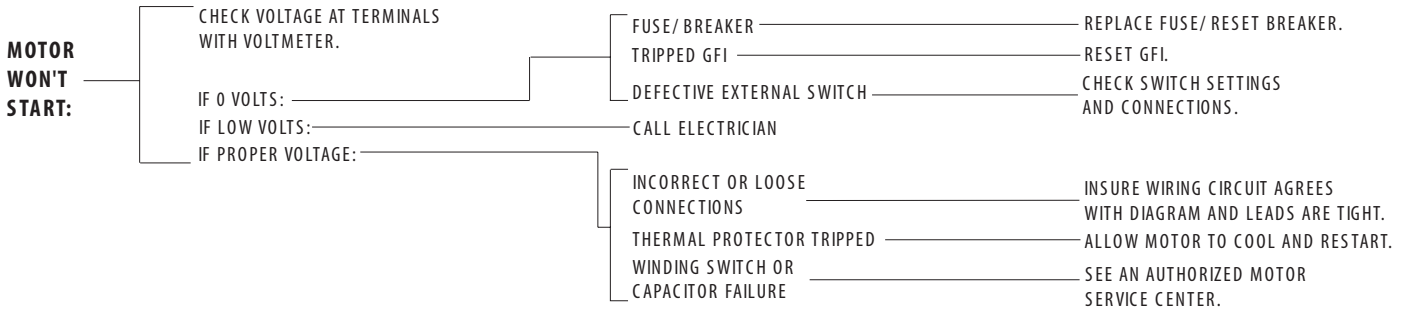
This warranty gives you specific legal rights. You may also have other rights which vary from state to state.



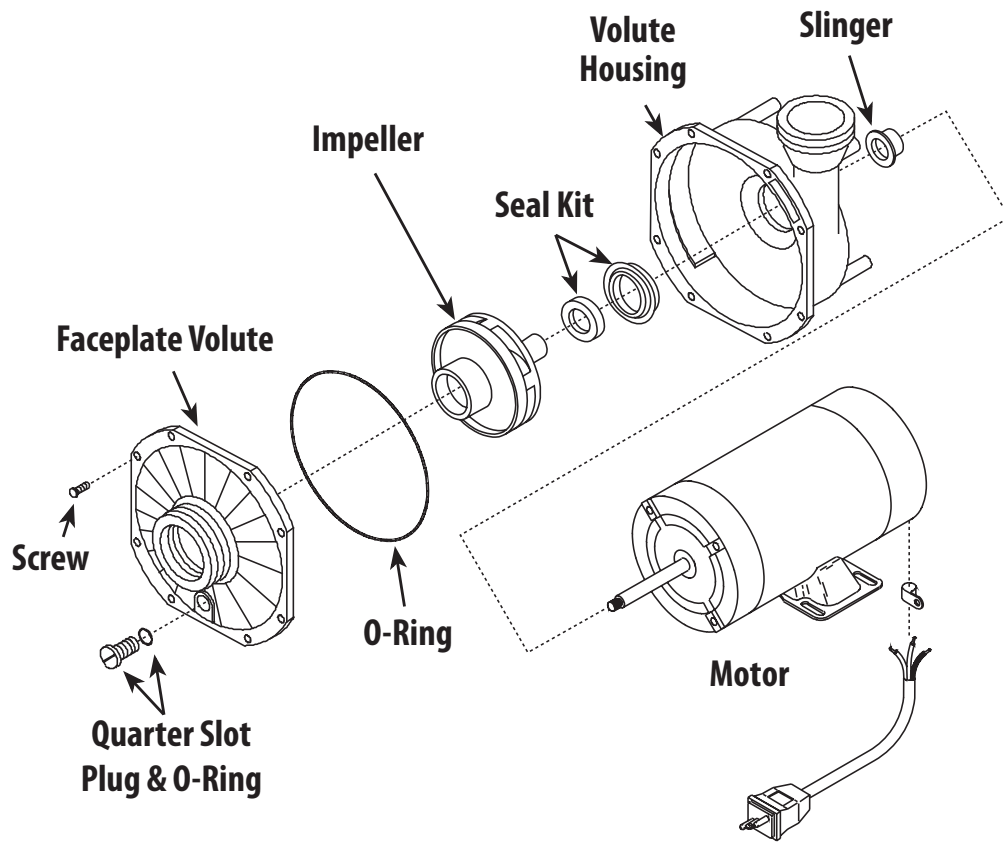
2200 East Sturgis Road, Oxnard, CA 93030 • Ph. (805) 981-0262 • Fax (805) 981-9403

www.waterwayplastics.com • waterway@waterwayplastics.com

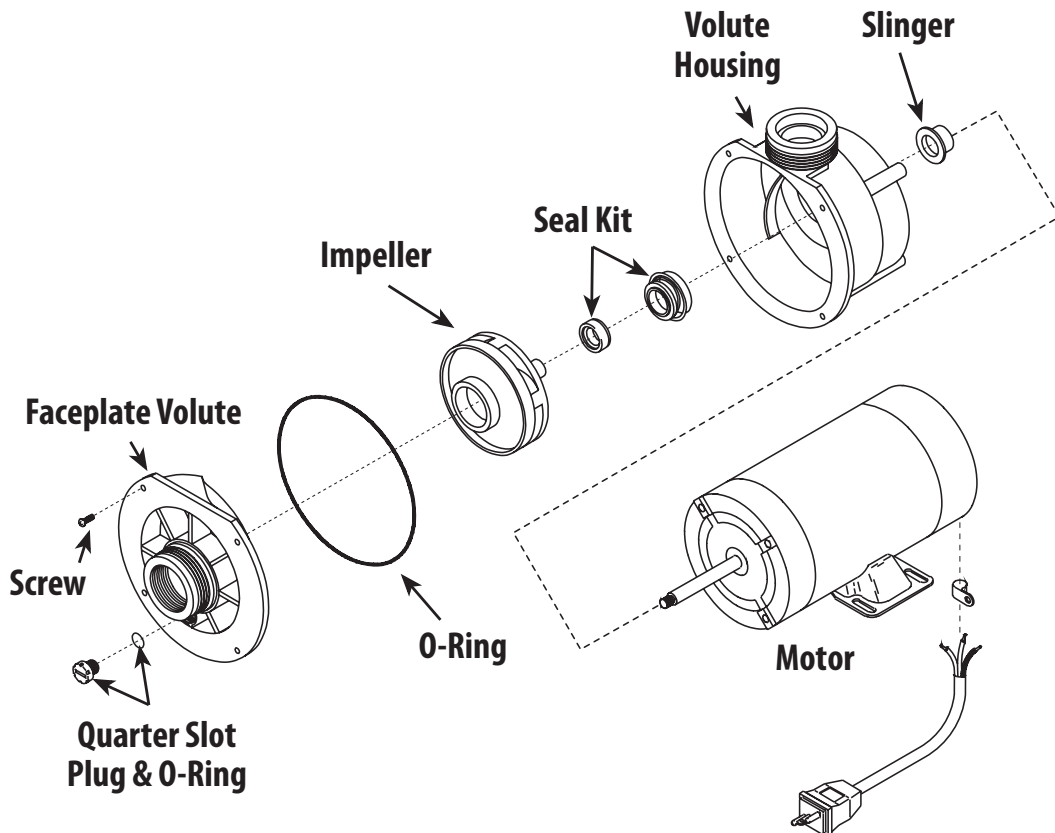
TROUBLESHOOTING



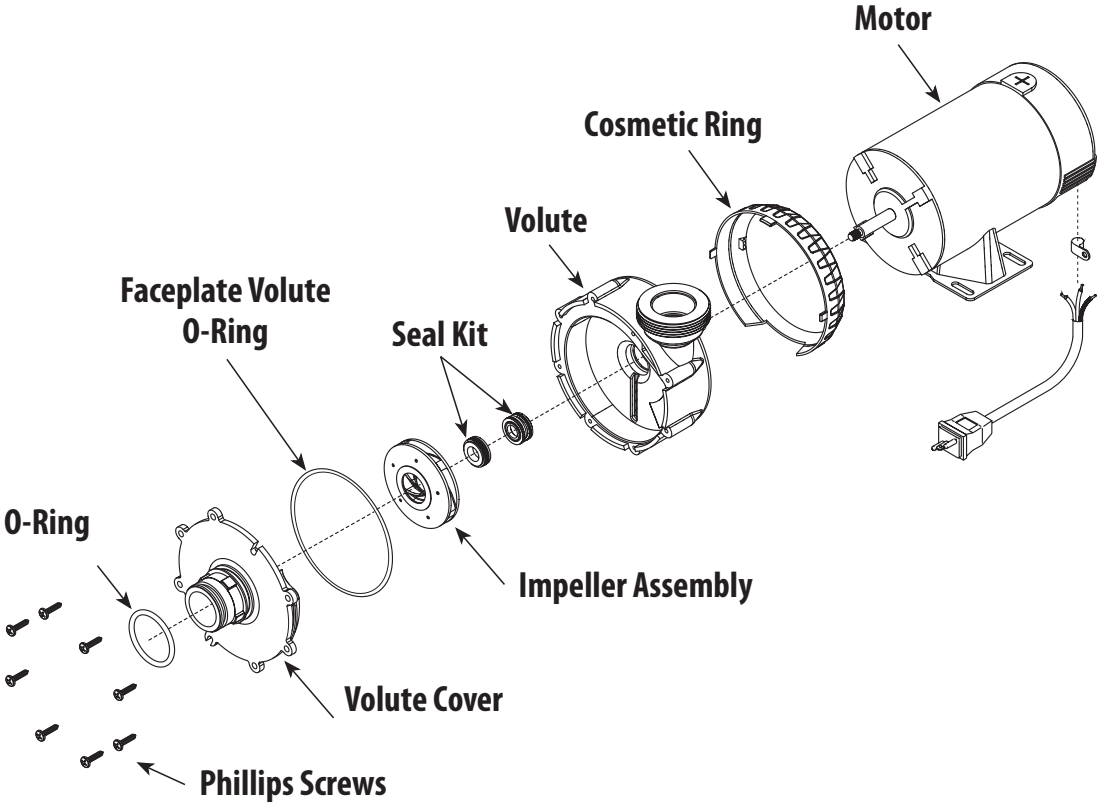
48-FRAME SIDE DISCHARGE WET END



48-FRAME CENTER DISCHARGE WET END



SUPREME SIDE DISCHARGE WET END



TRAP ASSEMBLIES

