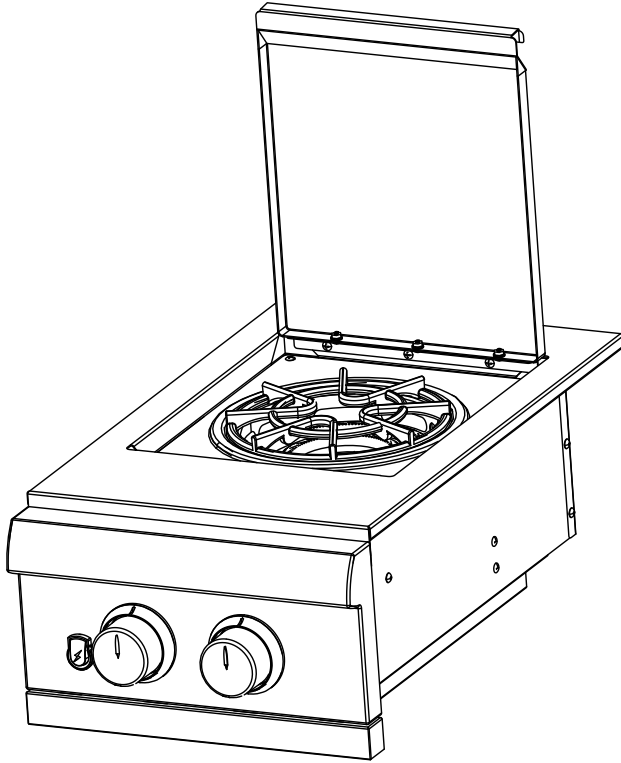


SABER®

SIDE BURNER ASSEMBLY & PRODUCT GUIDE

IMPORTANT: Fill out the product record information below.



MODEL K00SB1814

Place serial number label here
Serial Number

Date Purchased

If you have questions or need assistance during assembly, please call 1-888-94-SABER
1-888-947-2237

For support and to register your side burner, please visit us at
www.sabergrills.com



For patents see www.sabergrills.com/patents



FOR LP GAS CONVERSION:



- LP Conversion Kit Model A00AA0912 must be used. Sold separately.
- Additional enclosure venting construction is required.
- A tank retaining bracket must be added to enclosure.
- Easy access to the LP cylinder must be provided in the enclosure construction.
- See the instructions provided with LP conversion kit Model A00AA0912 for enclosure construction requirements for remote LP gas system.



TABLE OF CONTENTS



For Your Safety	2-3
Use and Care	4-6
Unpacking	7
Installation	8-12
Warranty	13-15
K00SB1814 Parts List	16
K00SB1814 Parts Diagram	16
Troubleshooting	17-19



Safety Symbols



The symbols and boxes shown below explain what each heading means. Read and follow all of the messages found throughout the manual.

	WARNING	
<p>WARNING: Indicates a potentially hazardous situation, which, if not avoided, could result in death or serious injury.</p>		

	CAUTION	
<p>CAUTION: Indicates a potentially hazardous situation, which, if not avoided, could result in minor or moderate injury.</p>		

	DANGER	
<p>DANGER: Indicates an imminently hazardous situation which, if not avoided, will result in death or serious injury.</p>		

	DANGER	
<p>If you smell gas:</p> <ol style="list-style-type: none">1. Shut off gas to the appliance.2. Extinguish any open flame.3. Open lid.4. If odor continues, keep away from the appliance and immediately call your gas supplier or your fire department.		

	WARNING	
<ol style="list-style-type: none">1. Do not store or use gasoline or other flammable liquids or vapors in the vicinity of this or any other appliance.2. An LP cylinder not connected for use shall not be stored in the vicinity of this or any other appliance.		

	CAUTION	
<p>For residential use only. Do not use for commercial cooking.</p>		

THIS SIDE BURNER IS FOR OUTDOOR USE ONLY.

 **CAUTION:**
Read and follow all safety statements, assembly instructions, and use and care directions before attempting to assemble and cook.

INSTALLER/ASSEMBLER:
Leave this manual with consumer.

CONSUMER:
Keep this manual for future reference.

 **WARNING:**
Failure to follow all manufacturer's instructions could result in serious personal injury and/or property damage

 **CAUTION:**
Some parts may contain sharp edges-especially as noted in the manual! Wear protective gloves if necessary.

 **WARNING** 

CALIFORNIA PROPOSITION 65

1. Combustion by-products produced when using this product contain chemicals known to the State of California to cause cancer, birth defects, and other reproductive harm.
2. This product contains chemicals, including lead and lead compounds, known to the State of California to cause cancer, birth defects or other reproductive harm.

Wash your hands after handling this product.

Installation Safety Precautions

- Use side burner, as purchased, only with natural gas and the regulator/valve assembly supplied. A conversion kit must be purchased for use with LP (propane) gas.
- Side burner installation must conform with local codes, or in their absence of local codes, with either the *National Fuel Gas Code, ANSI Z223.1/ NFPA 54, Natural Gas and Propane Installation Code, CSA B149.1, or Propane Storage and Handling Code, B149.2.*
- This side burner is safety certified for use in the United States and/or Canada only. Do not modify for use in any other location. Modification will result in a safety hazard.
- The pressure regulator and hose assembly supplied must be used and replacements must be those specified by appliance manufacturer.

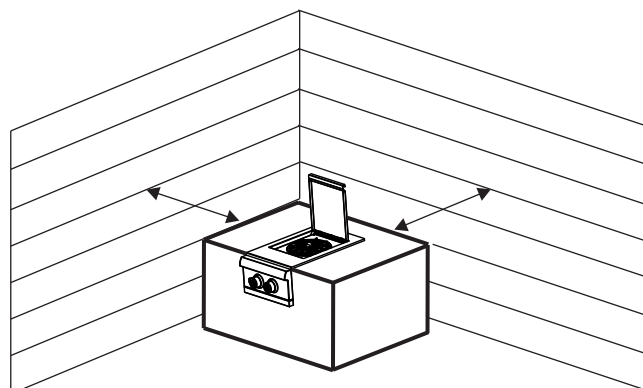
 **WARNING** 

Do not attempt to repair or alter the natural gas regulator for any “assumed” defect. Any modification to this assembly will void your warranty and create the risk of a gas leak and fire. Use only authorized replacement parts supplied by manufacturer.

 **WARNING** 

For Safe Use of Your Side Burner and to Avoid Serious Injury:

- Do not let children operate or play near side burner.
- Keep side burner area clear and free from materials that burn.
- Do not block vent holes in the back of side burner.
- Check burner flames regularly.
- Use side burner only in well-ventilated space. NEVER use in enclosed space such as carport, garage, porch, covered patio, or under an overhead structure of any kind.
- Do not use charcoal or ceramic briquets with the side burner.
- **Use side burner at least 3 ft. from any wall or surface.** Maintain 10 ft. clearance to objects that can catch fire or sources of ignition such as pilot lights on water heaters, live electrical appliances, etc.



Safety Tips

- When side burner is not in use, turn off all control knobs and gas valve.
- Use long-handled barbecue utensils and oven mitts to avoid burns and splatters.
- The tray must be inserted into side burner during use and emptied after each use. Do not remove tray until side burner has completely cooled.
- Clean side burner often, preferably after each cookout.
- If you notice grease or other hot material dripping from side burner onto valve, gas tubing or regulator, turn off gas supply at once. Determine the cause, correct it, then clean and inspect valve, gas tubing and regulator before continuing. Perform a leak test.
- The natural gas regulator may make a humming or whistling noise during operation. This will not affect safety or use of side burner.
- If you have a side burner problem see the “*Troubleshooting Section*”.

USE AND CARE

DANGER

Do not insert any tool or foreign object into the valve outlet. You may damage the valve and cause a leak. Leaking gas may result in explosion, fire, severe personal injury, or death.

WARNING


- Outdoor gas appliance is not intended to be installed in or on a boat.
- Outdoor gas appliance is not intended to be installed in or on an RV.
- Never attempt to attach this side burner to the self-contained gas system of a camper trailer or motor home.
- Do not use side burner until leak-tested.
- If a leak is detected at any time, STOP and call the fire department.
- If you cannot stop a gas leak, *immediately* close gas valve and call gas supplier or your fire department!

CAUTION

- **Putting out grease fires by closing the lid is not possible. Side burners are well ventilated for safety reasons.**
- **Do not use water on a grease fire. Personal injury may result. If a grease fire develops, turn knobs and gas valve off.**
- **Do not leave side burner unattended while reheating or burning off food residue on HI. If side burner has not been regularly cleaned, a grease fire can occur that may damage the product.**

Side Burner Ignitor Lighting

Do not lean over side burner while lighting.

1. Turn **OFF** all control knobs.
2. Turn **ON** gas at source.
3. **Open side burner lid during lighting.**
4. To ignite push in and turn side burner control knob to .
5. Push and hold **ELECTRONIC IGNITION** button until the burner lights.
6. If ignition does **NOT** occur in 5 seconds, turn the control knobs **OFF**, wait 5 minutes, and repeat the lighting procedure.
7. Repeat steps 4 through 6 for second burner.

CAUTION



If ignition does NOT occur in 5 seconds, turn the control knobs OFF, wait 5 minutes and repeat the lighting procedure. If the burner does not ignite with the valve open, gas will continue to flow out of the burner and could accidentally ignite with risk of injury.

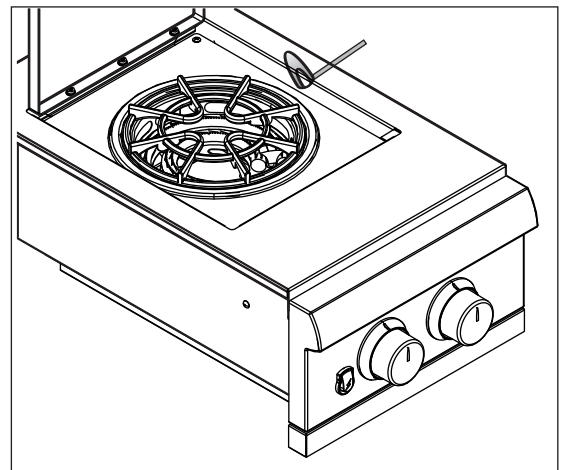
WARNING

Turn controls and gas source OFF when not in use.

Side Burner Match-Lighting

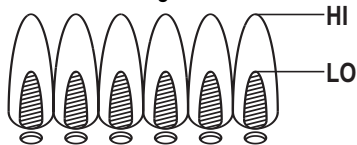
Do not lean over side burner while lighting.

1. Turn **OFF** all control knobs.
2. Turn **ON** gas at source.
3. **Open lid during lighting.**
4. Place lit match near burner.
5. Push in and turn control knob of the burner you are lighting to the  position. Ensure burner stays lit.
6. Light adjacent burner by pushing knob in and turning to the  position.



Burner Flame Check

- Remove cooking grates and emitters. Light burners, rotate control knobs from **HI** to **LO**. You should see a smaller flame in **LO** position than seen on **HI**. Always check flame prior to each use. If only low flame is seen refer to "Sudden drop or low flame" in the *Troubleshooting Section*.



Turning Side Burner Off

- Turn all control knobs to the **OFF** position. Turn gas source to the **OFF** position.

Ignitor Check

- Turn gas **OFF** at gas source. Press and hold electronic ignition button. "Click" should be heard and spark seen each time between collector box or burner and electrode. See "Troubleshooting" if no click or spark.

Valve Check

- Important: Make sure gas is turned OFF at the gas source before checking valves.** Control knobs lock in the **OFF** position. To check valves, first push in control knobs and release, control knobs should spring back. If control knobs do not spring back, replace valve assembly before using side burner. Turn control knobs to **LO** position then turn back to **OFF** position. Valves should turn smoothly.

Hose Check

- Before each use, check to see if stainless steel flex hoses are cut or worn. Replace damaged hoses before using side burner. Use only natural gas hose and regulator specified by manufacturer.

General Cleaning

Do not mistake brown or black accumulation of grease and smoke for paint. Apply a strong solution of detergent and water or use a side burner cleaner with scrub brush on insides of side burner lid and bottom. Rinse and allow to completely air dry.

Do not apply a caustic grill/oven cleaner to painted surfaces.

- Plastic parts:** Wash with warm soapy water and wipe dry. Do not use citrisol, abrasive cleaners, degreasers or a concentrated grill cleaner on plastic parts. Damage to and failure of parts can result.

- Porcelain surfaces:** Because of glass-like composition, most residue can be wiped away with baking soda/water solution or specially formulated cleaner. Use non-abrasive scouring powder on stubborn stains.

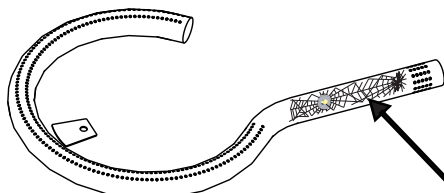
- Painted surfaces:** Wash with mild detergent or non-abrasive cleaner and warm soapy water. Wipe dry with a soft non-abrasive cloth.

General Cleaning (con't.)

- Stainless steel surfaces:** To maintain your side burner's high quality appearance, wash with mild detergent and warm soapy water and wipe dry with a soft cloth after each use. Baked-on grease deposits may require the use of an abrasive plastic cleaning pad. Use only in direction of brushed finish to avoid damage. Do not use abrasive pad on areas with graphics.

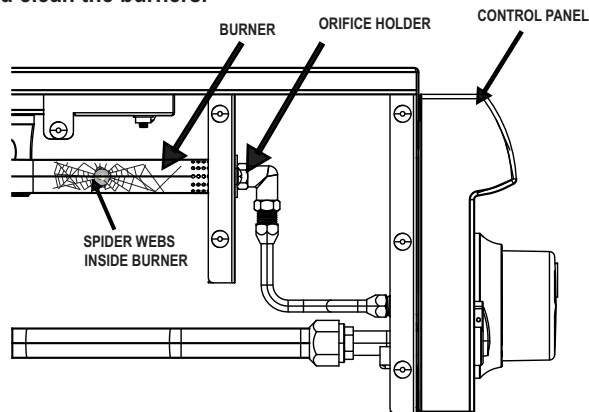


SPIDER ALERT!



SPIDER AND WEBS
INSIDE BURNER TUBE

If you notice that your side burner is getting hard to light or that the flame isn't as strong as it should be, take the time to check and clean the burners.



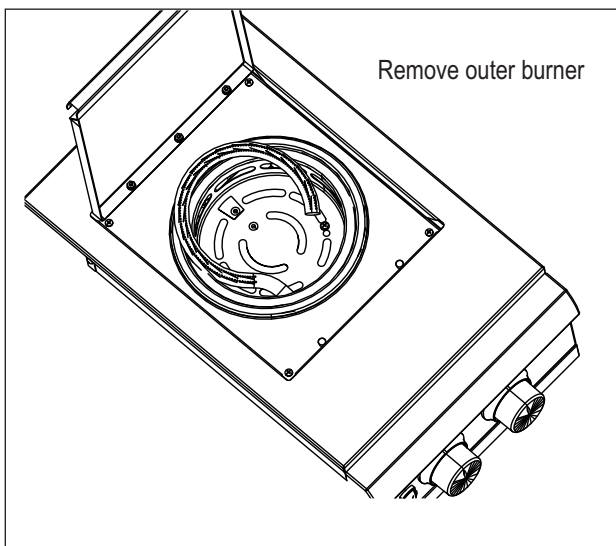
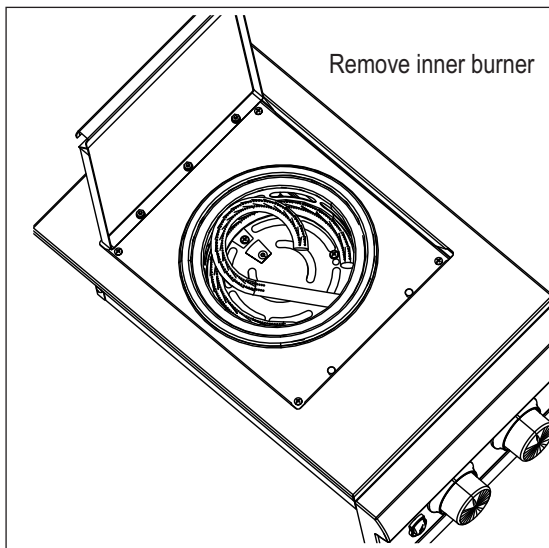
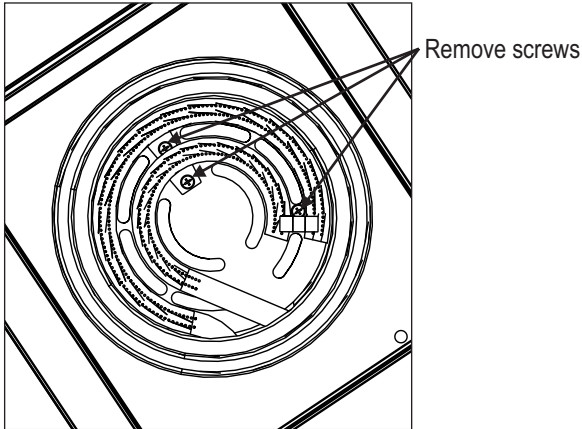
In some areas of the country, spiders or small insects have been known to create "flashback" problems. The spiders spin webs, build nests and lay eggs in the burner tube(s) obstructing the flow of gas to the burner. The backed-up gas can ignite in the burner behind the control panel. This is known as a flashback and it can damage your side burner and even cause injury.

To prevent flashbacks and ensure good performance the burner assembly should be removed from the side burner and cleaned before use whenever the side burner has been idle for an extended period.

Cleaning the Burner Assembly

Follow these instructions to clean and/or replace parts of burner assembly or if you have trouble igniting side burner.

1. Turn gas **OFF** at control knobs and gas source.
2. Remove cooking grate.
3. Remove screws securing ignitor and burners.
4. Remove ignitor electrode but leave connected to ignition wire.
5. Carefully remove inner burner.
6. Carefully remove outer burner.



7. We suggest three ways to clean the burner tubes. Use the one easiest for you.

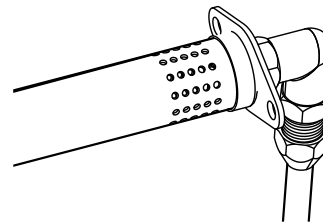
(A) Bend a stiff wire (a light weight coat hanger works well) into a small hook. Run the hook through each burner tube several times.



(B) Use a narrow bottle brush with a flexible handle (do not use a brass brush), run the brush through each burner tube several times.

(C) Wear eye protection: Use an air hose to force air into the burner tube and out the burner ports. Check each port to make sure air comes out each hole.

8. Wire brush entire outer surface of burner to remove food residue and dirt.
9. Clean any blocked ports with a stiff wire such as an open paper clip.
10. Check burner for damage, due to normal wear and corrosion some holes may become enlarged. If any large cracks or holes are found replace burner.
11. Carefully replace burners and secure with screws removed in step 3. **VERY IMPORTANT:** Burner tubes must re-engage orifice holder.



Correct
burner-to-orifice holder
engagement

12. Replace ignition electrode and secure with screw.
13. Check ignition operation.
14. Replace cooking grate.

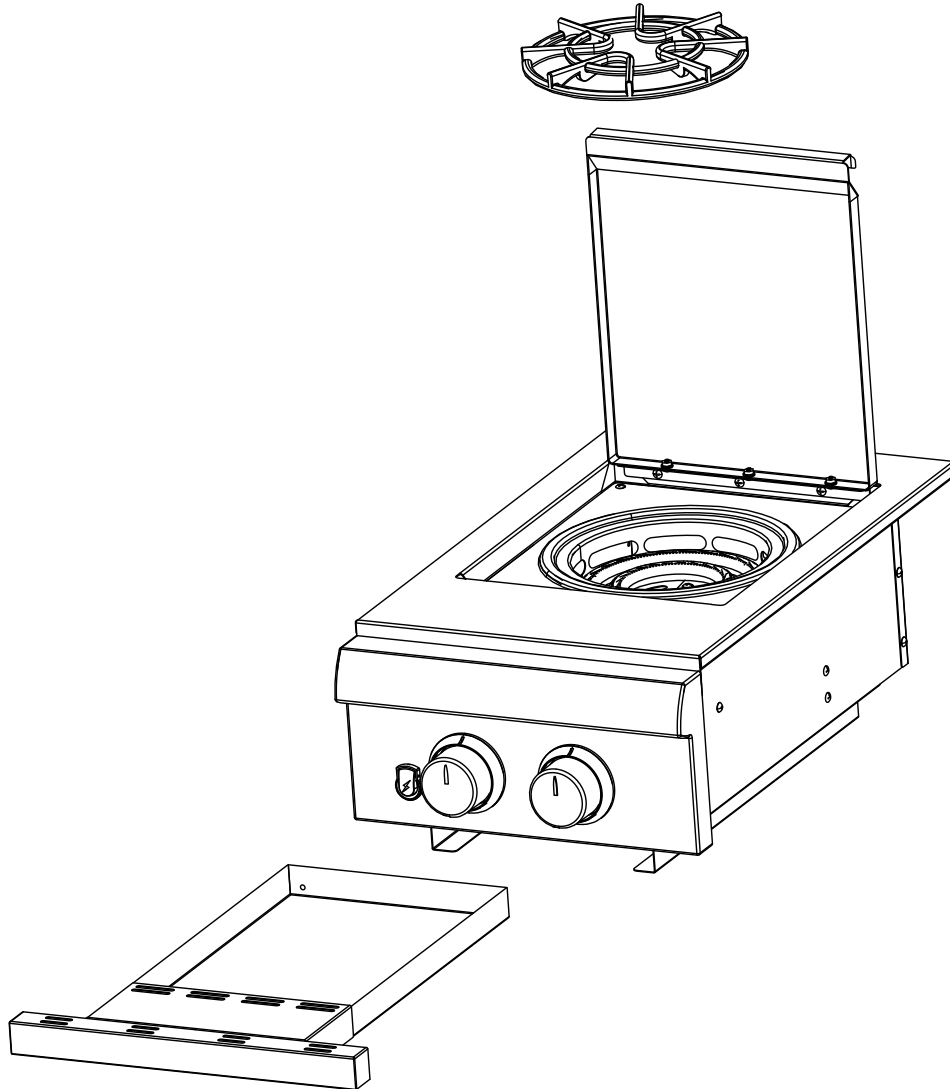
Installation Requirements

Ensuring proper Combustion Air and Cooling Airflow

- Proper airflow **MUST** be maintained for the side burner to perform as it was designed. If airflow is blocked, overheating and poor combustion will result.

UNPACKING

1. Place carton on clean level surface.
2. Open top of carton and remove side burner unit.
3. Open lid of side burner and remove cooking grate and remove tray.





WARNING



FOR LP GAS CONVERSION:

LP Conversion Kit Model A00AA0912 must be used. Specific details for enclosure construction are included in the conversion kit instructions.

- Additional enclosure venting construction is required.
- A tank mounting bracket must be added to enclosure.

INSTALLATION

Materials included: Built-In Side Burner Unit

Materials not included: Enclosure construction materials and fasteners for attachment of side burner to enclosure.

NOTE: ENCLOSURE MUST BE CONSTRUCTED OF NON-COMBUSTIBLE MATERIALS.

1. Building The Enclosure.

NOTE: If this side burner is to be used as a replacement side burner in an existing enclosure, consult your local contractor to determine if the side burner will work correctly with your existing enclosure.

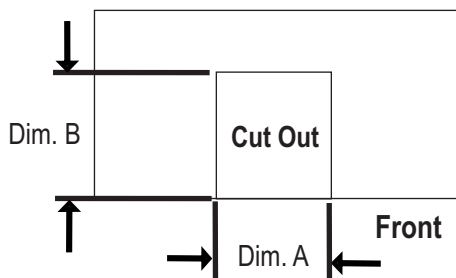
Consult the table below for enclosure cut-out dimensions and available mounting locations to secure the side burner to the enclosure.

Minimum enclosure dimensions are height 34", width 23" and depth 27".

NOTE: Area directly beneath the side burner must be open. No solid surface.

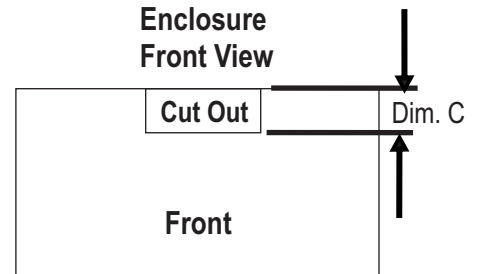
MODEL	Dim. A	Dim. B	Dim. C
K00SB1814	12.60"	21.40"	9.00"

Enclosure Top View



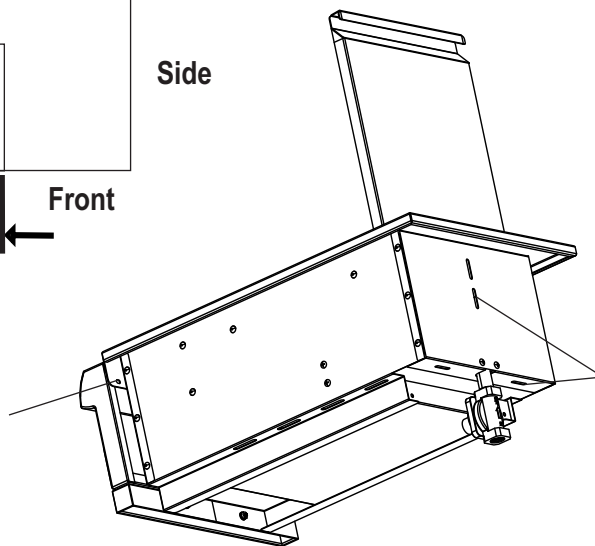
Side

Enclosure Front View



Front

Front mounting locations (one each side)



Rear mounting locations

The front mounting hole locations can be accessed by removing the up-front control panel. This is done by first removing the control knob and the four mounting screws behind them. This will remove the valve manifold from the control panel. Next, remove the two screws under the control panel. Pull the control panel out at the bottom and lift off, revealing the front mounting hole locations. Re-attach the control panel, valve manifold, and control knobs.

The rear mounting hole locations can be accessed from below the sideburner by removing the bottom tray and installing the mounting screws from under the sideburner when installed.

INSTALLATION CON'T.

2. Electronic Ignition Module.

NOTE: A licensed electrician should be used to install the ignition module and make any wiring extensions or modifications.

This side burner has been supplied with enough wire to mount the ignition module in the location shown in Figure 1. The ignition module can be mounted in a different location by extending the switch wires and ignitor wires. Wire extensions are not provided and should be made of materials with equivalent ratings as the switch and ignitor wiring provided with this side burner (see rating printed on each wire). If extending the wires, take care to maintain the factory-provided connections that connect the wires to the other side burner components. **NOTE:** The ignition module must be mounted so as to have easy access to the battery compartment for battery replacement. See Figure 2. Connect wires to the small and large connections on the rear of the ignition module. See Figure 3.

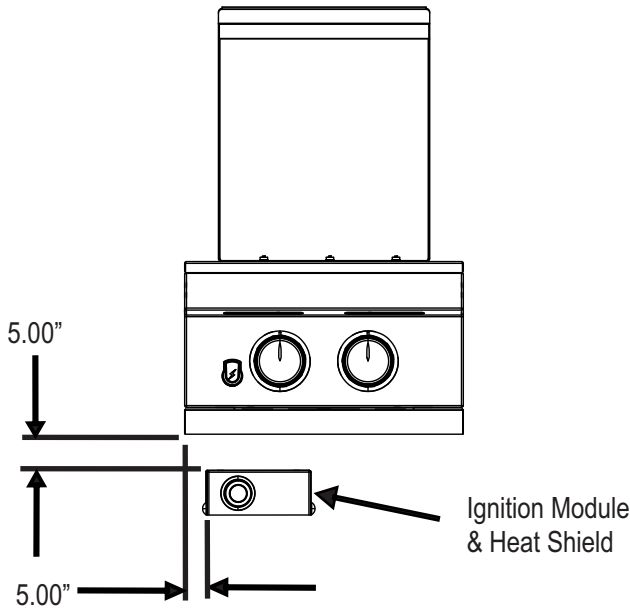


Figure 1

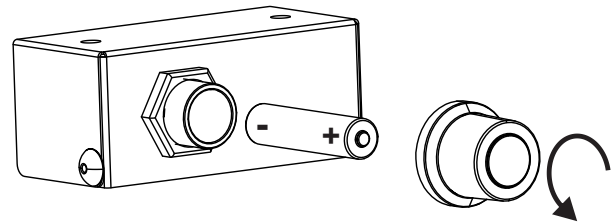


Figure 2

1. Separate EI module from heat shield.
2. Mount heat shield using 2 screw holes supplied.
3. Assembly EI module to heat shield using nut.
4. Install battery and cap.
5. Attached wires as shown.

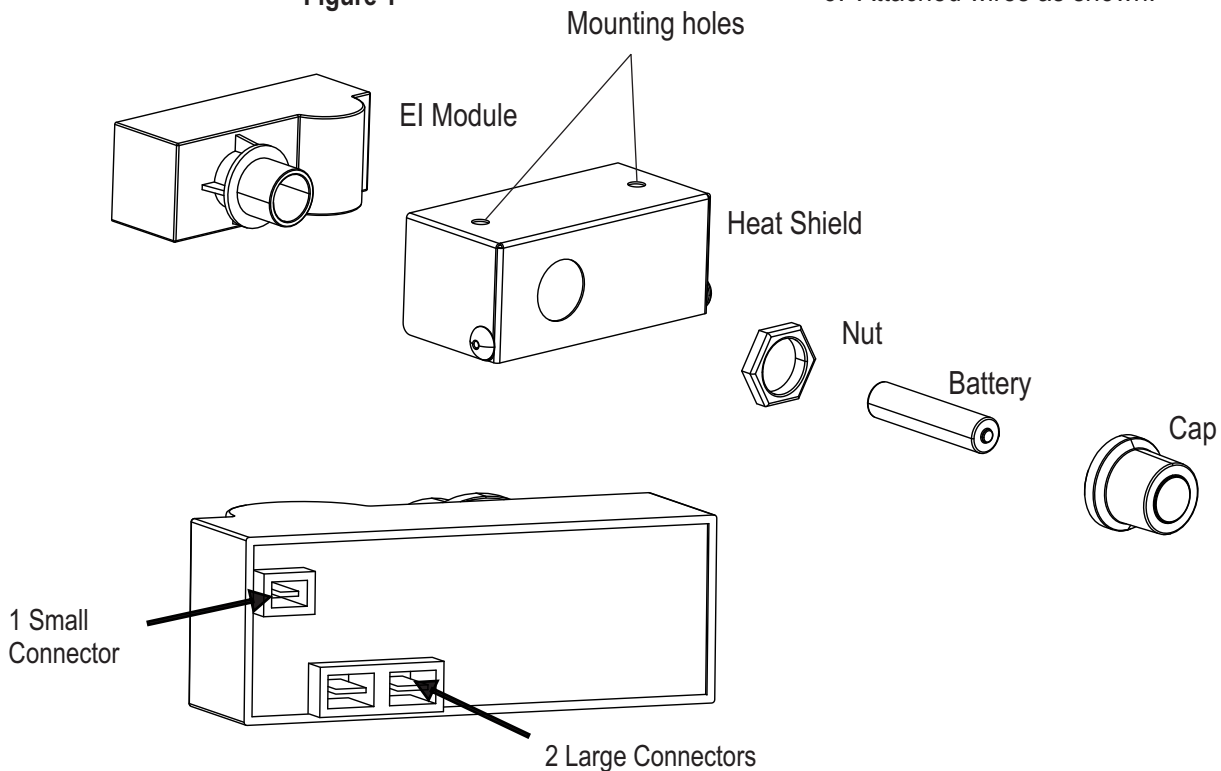


Figure 3

INSTALLATION CON'T.

4. Connecting the Natural Gas Supply Line

NOTE: A licensed plumber should be used to install the gas supply line to the side burner.

The gas supply line from your home should be routed to the right rear corner of the side burner inside the side burner enclosure. It is recommended that hard piping be used to connect to the inlet of the natural gas appliance regulator. Constant movement of flexible gas lines could cause fatiguing of the flexible line and result in gas leakage. If hard piping is not used for the home supply line, any flexible gas lines must be supported within the enclosure to prevent constant movement and fatiguing.

Prior to installing the side burner in the enclosure:

1. Turn the home gas source to the **OFF** position.
2. Remove the plastic protective cap from the $\frac{1}{2}$ " pipe fitting connection found at the bottom of the right rear corner of the side burner (see Figure 5).

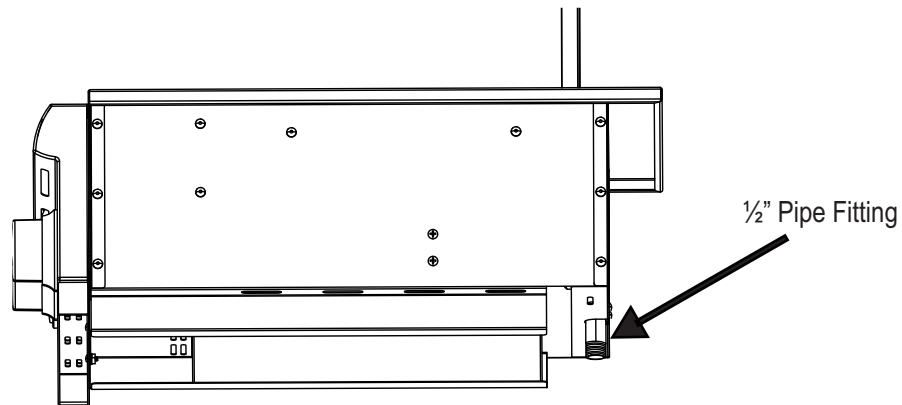


Figure 5
Side View

3. Apply pipe joint compound (not provided) to the $\frac{1}{2}$ " pipe fitting connection. The pipe joint compound used should be resistant to all gasses.
4. Connect the natural gas appliance regulator (provided) to the $\frac{1}{2}$ " pipe fitting connection taking care to connect the outlet side of the regulator to the pipe fitting connection (see Figure 6). The inlet and outlet sides of the regulator are noted by markings on the rear of the regulator body.

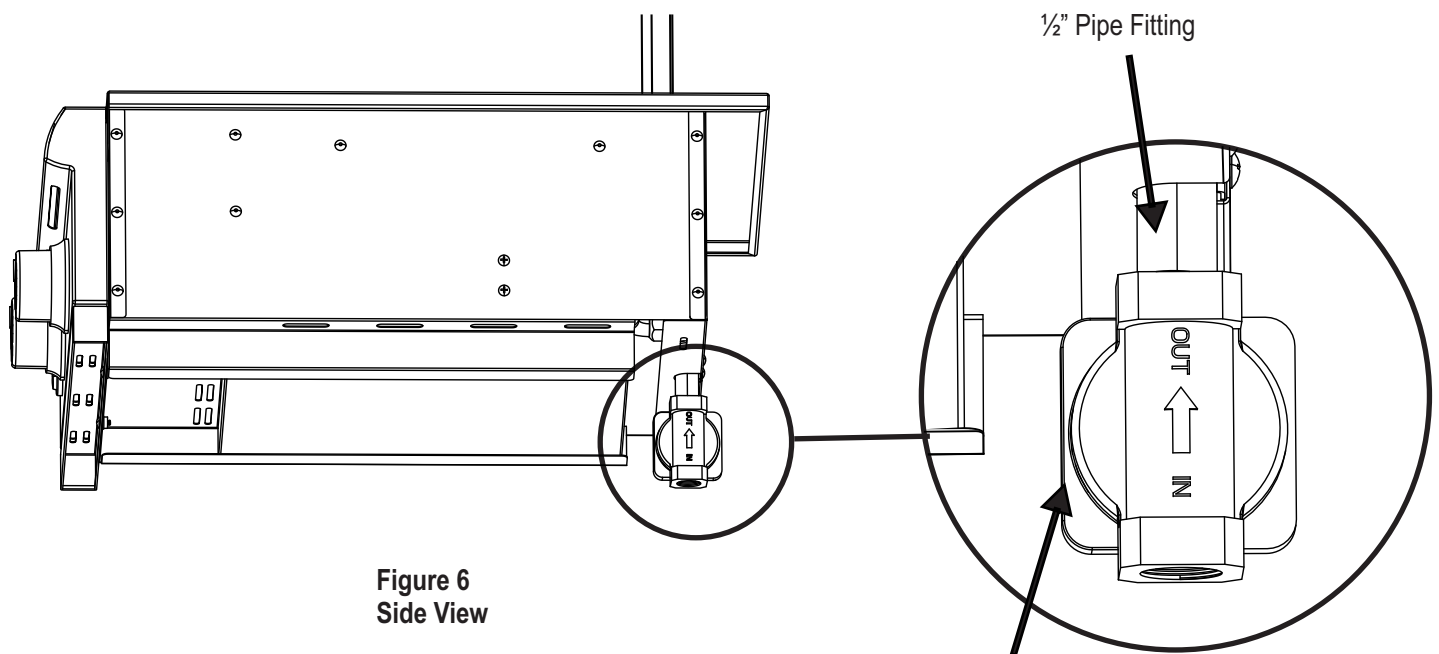


Figure 6
Side View

INSTALLATION CON'T.

4. Connecting the Natural Gas Supply Line (con't.)

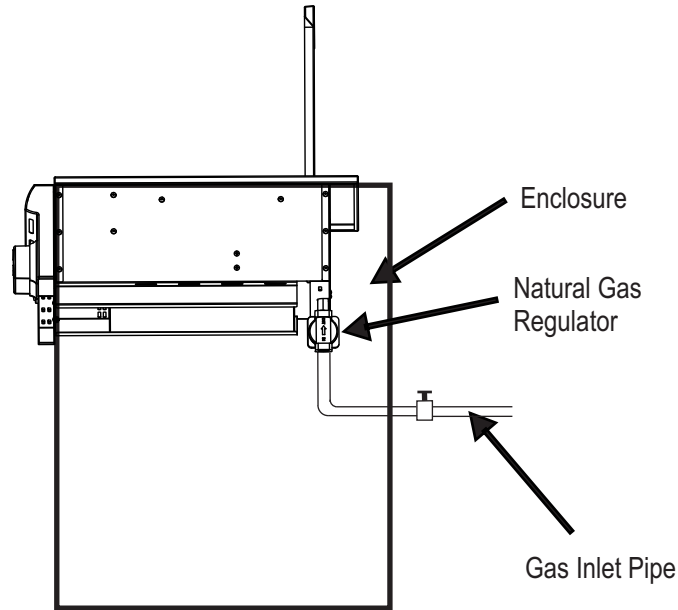


Figure 7
Side View

5. The side burner is now ready to be installed in the enclosure. Take care not to damage the regulator during installation.

After installing the side burner in the enclosure:

1. Connect the home gas supply line to the inlet side of the natural gas appliance regulator by following the recommended connection methods noted above. Apply pipe joint compound (not provided) to the inlet piping prior to connecting to the regulator.
2. Confirm all side burner control knobs are **OFF**.
3. Turn **ON** the home gas source.
4. Proceed to step 5, Leak Testing.

NOTE: It is recommended that a manual shut-off valve be installed outside the side burner enclosure (see Figure 8).

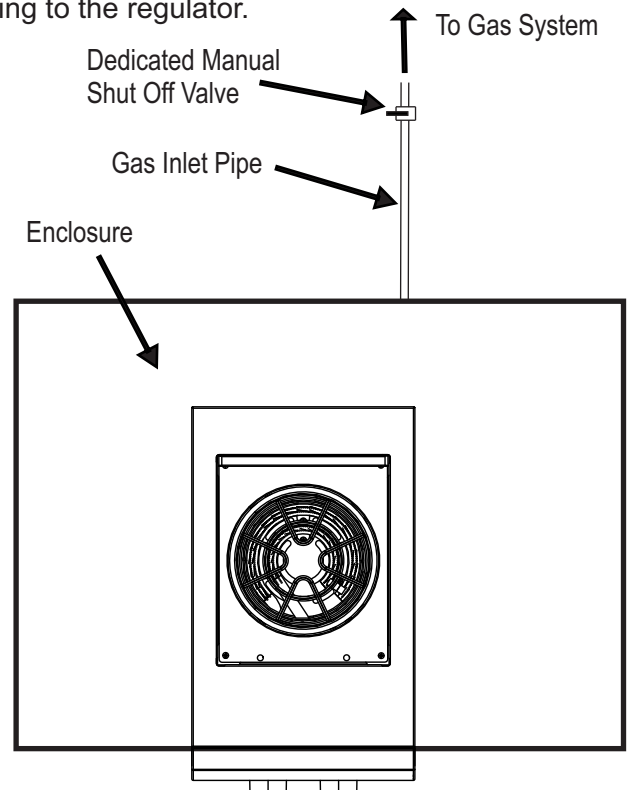


Figure 8
Top View

INSTALLATION CON'T.

5. Leak Testing

1. Turn all side burner control knobs **OFF**.
2. Turn **ON** the home gas source.
3. Use a clean paint brush and a 50/50 mild soap and water solution. Brush soapy solution onto areas indicated. (see Figure 9).
4. If “growing” bubbles appear, there is a leak. Close main gas supply and re-tighten all connections. If leaks cannot be stopped do not try to repair. Contact licensed plumber for correction.
5. The appliance and its individual shut off valve must be disconnected from the gas supply piping system during any pressure testing on that system at test pressures in excess of ½ psig (3.5kPa).
6. The appliance must be isolated from the gas supply piping system by closing its individual manual shut off valve during any pressure testing of the gas supply piping system at test pressures equal to or less than ½ psig (3.5kPa).

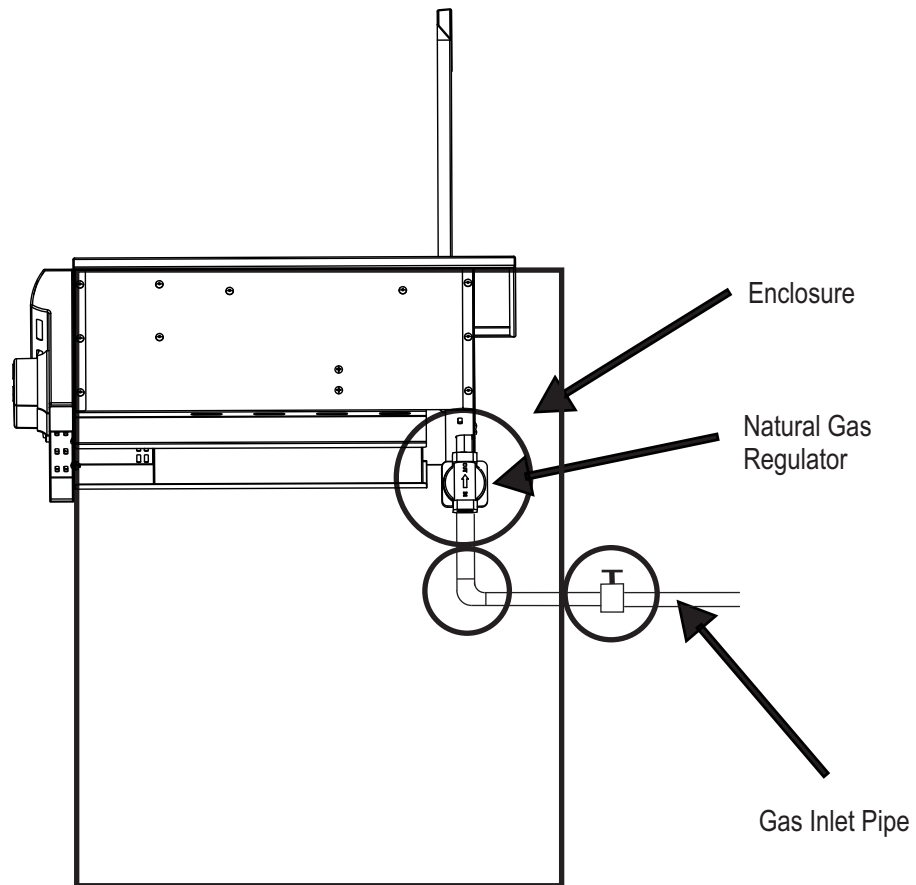


Figure 9
Side View

Item	Warranty Term
Stainless Steel Parts	
Lids	Limited Lifetime
Exterior Firebox	Limited Lifetime
Burner Tubes & Carryover Tubes	10 Years
Cooking Grates, Burner Pan	5 Years no rust through or burn through
Porcelain Enameled Parts	
Lid Insert	Limited Lifetime (excludes fading)
Interior Firebox	Limited Lifetime no rust through or burn through (excludes fading)
Cooking Grates, Burner Pan	5 Years no rust through or burn through (excludes fading)
Painted Parts	2 Years (excludes fading)
All Other Parts	2 Years

LIMITED LIFETIME WARRANTY:

Saber warrants the fabricated stainless steel components (lids, lid inserts, exterior fire box and cart panels), to be free from defects in material and workmanship under normal residential use for the lifetime of the product.

Saber's Limited Lifetime Warranty covers the structural integrity of the lids and exterior firebox. Should structural deterioration occur to the degree of non performance, the part(s) will be replaced, free of charge to the consumer for installation. Costs associated with the installation of replacement warranty parts is not covered by this limited lifetime warranty and is the sole responsibility of the owner.

This warranty excludes discoloration, surface scratches, weather and atmospheric related staining, and minor surface rust and oxidation which are normal conditions and to be expected with any outdoor product.

TEN YEAR LIMITED WARRANTY: Saber warrants the stainless steel burner tubes and carryover tubes to be free from defects in materials and workmanship under normal residential use for a period of ten (10) years from the original date of purchase. The part will be replaced, free of charge.

FIVE YEAR LIMITED WARRANTY: Saber warrants the cooking grates and side burner pan to be free from defects in materials and workmanship under normal residential use for a period of five (5) years from the original date of purchase. The part will be replaced free of charge.

TWO YEAR FULL WARRANTY: Saber warrants all painted parts and any other parts not specifically mentioned above, to be free from defects in materials and workmanship under normal residential use for a period of two (2) years from the original date of purchase. Saber will replace the part which fails or is found to be defective during the warranty period, at no cost to the original purchaser.

Owner shall be responsible for proper installation, providing normal care and maintenance, and providing proof of purchase upon request.

Saber reserves the right, PRIOR to shipping warranty replacement parts, to require the part in question be returned for inspection and analysis. Requested parts should be returned to Saber, freight pre-paid by the consumer.

WARRANTY LIMITATIONS & EXCLUSIONS

This warranty excludes units purchased for use in all types of commercial and or community use locations such as restaurants, hotels, catering operations food service establishments, condominium/apartment complexes, rental properties, and to products with altered or removed serial numbers.

This warranty shall apply ONLY to the products purchased and located in the continental **United States** and **Canada**.

The warranty coverage begins on the original date of purchase and proof of date of purchase is required for warranty service. Please register your product and retain your original sales receipt.

In order to activate the warranty, we require that you send in the attached warranty registration card or register your product online.

This warranty applies only to the original side burner owner and cannot/may not be transferred.

This warranty does not apply to damages resulting from negligence, alteration, misuse, abuse, accident, natural disaster, loss of electrical power to the product for any reason, improper installation or improper operation, unauthorized adjustments or calibrations, dings, dents, scratches, or damages due to harsh cleaning chemicals.

Saber shall not be liable for incidental, consequential, special or contingent damages resulting from its breach of this written warranty or any implied warranty.

In the event of any warranty replacement, all removal, replacement and installation are the responsibility of the side burner owner.

Saber reserves the right to replace any defective product with a product equal in value to the original purchase price. Warranty repair or replacement is at the sole discretion of Saber.

Dealers and Distributors may not, under any circumstances, adjust, alter or extend the conditions and terms of the original warranty.

Your Saber warranty does not cover the following:

- Labor charges related to installation or set-up, diagnosis of a problem, or repairs.
- Normal recommended routine maintenance and care.
- Damage resulting from accident, alteration, misuse, abuse, hostile environments, improper installation, or installation not in accordance with local, state and federal codes and regulations.
- The use of unauthorized or “universal” parts.
- Damage or corrosion caused by lack of maintenance, neglect in following the manufacturer’s care and usage instructions, grease fires, animals and insects.
- Any damage resulting from the commercial and or community use of this product.
- Retail display models are generally sold “AS IS.” If you have purchased a display model, please be advised that it is sold “AS IS” and that it is subject to the following warranty exclusions:
 - Any exterior or cosmetic damage is non-warrantable
 - Any missing components will be replaced at the consumer’s sole expense.

DISCLAIMER OF IMPLIED WARRANTIES AND LIMITATION OF REMEDIES

CUSTOMER’S SOLE AND EXCLUSIVE REMEDY UNDER THIS LIMITED WARRANTY SHALL BE PRODUCT REPAIR OR REPLACEMENT AS PROVIDED HEREIN. IMPLIED WARRANTIES, INCLUDING WARRANTIES OF MERCHANTABILITY OR FITNESS FOR A PARTICULAR PURPOSE, ARE EXCLUDED OR LIMITED TO ONE YEAR OR THE SHORTEST PERIOD ALLOWED BY LAW. SABER SHALL NOT BE LIABLE FOR INCIDENTAL OR CONSEQUENTIAL DAMAGES. SOME STATES OR PROVINCES DO NOT ALLOW THE EXCLUSION OR LIMITATION OF INCIDENTAL OR CONSEQUENTIAL DAMAGES, OR LIMITATIONS ON THE DURATION OF IMPLIED WARRANTY OF MERCHANTABILITY OR FITNESS, SO THESE EXCLUSIONS OR LIMITATIONS MAY NOT APPLY TO YOU. THIS WARRANTY GIVES YOU SPECIFIC LEGAL RIGHTS, AND YOU MAY ALSO HAVE OTHER RIGHTS WHICH CAN VARY FROM STATE TO STATE OR PROVINCE TO PROVINCE.

How to Obtain Warranty Service or Repair Parts:

Prior to contacting your dealer or calling us directly, please make sure your side burner is registered. You can register your side burner at: <http://www.sabergrills.com/registration>.

Call your authorized Saber dealer. A list of Saber dealers and their contact information can be found at <http://www.sabergrills.com>.

Utilize our online customer service at <http://www.sabergrills.com/warranty> service.

Call Saber directly at 1-(888)-94S-ABER (947-2237). We look forward to assisting you!

Or write us at:

Saber®
Warranty Service
P. O. Box 1977
Columbus, GA. 31902

Please be prepared to furnish the following information: Purchaser's name, model and serial number of the side burner, date of purchase and the accurate description of the problem.

Date of Purchase:	
Dealer Where You Purchased Your Side Burner:	
Dealer Phone Number:	
Model Number: <i>(located on the cover of your instruction manual or rating label)</i>	
Serial Number: <i>(located on the cover of your instruction manual or rating label)</i>	

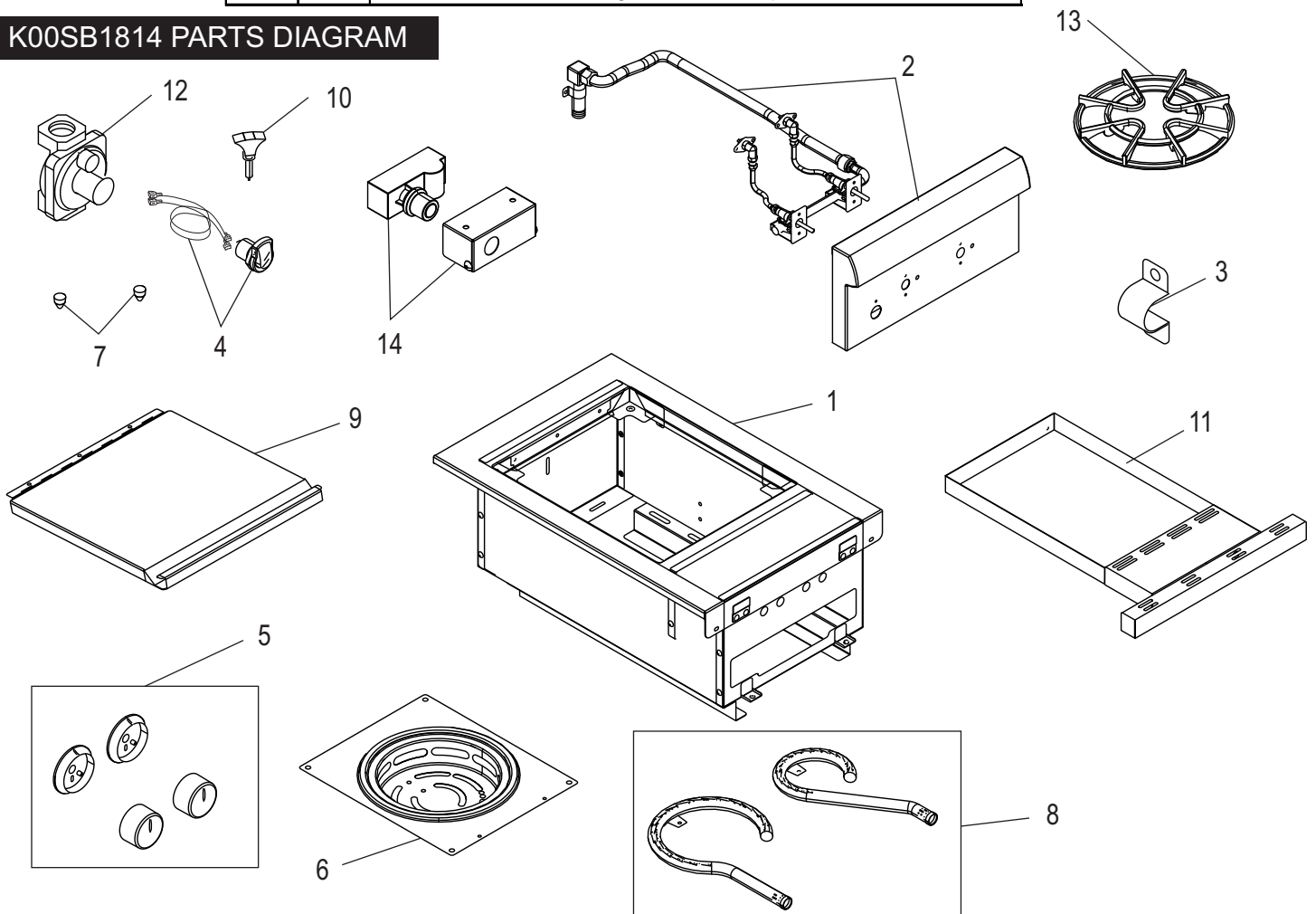
K00SB1814 PARTS LIST

Key	Qty	Description
1	1	Burner Box
2	1	KIT, Control Console w/ HVR Assembly
3	1	KIT, Bracket, F/ Flexible Gas Tube
4	1	KIT, Switch Module w/ Wire
5	2	KIT, Knob w/ Bezel, NG
6	1	KIT, Sideburner Pan
7	2	Lid Bumpers
8	1	KIT, Burners f/ Sideburner, Dual, Saber BI SB
9	1	KIT, Sideburner Lid
10	1	KIT, Electrode f/ Dual Sideburner
11	1	Grease Tray Assembly
12	1	NG Appliance Regulator
13	1	Cooking Grate, Cast Iron, Sideburner
14	1	KIT, Electronic Ignitor, Single-Spark, w/ Heat Shield

NOT Pictured

...	1	Orifice Pack, LP Gas
...	1	Care and Use Guide, English, French, Spanish

K00SB1814 PARTS DIAGRAM



EMERGENCIES: If a gas leak cannot be stopped, or a fire occurs due to gas leakage, call the fire department.

Emergencies	Possible Cause	Prevention/Solution
Gas leaking from cracked/cut/burned hose.	Damaged Hose or Gas Line	Turn OFF gas at supply. If anything is burned or damaged, replace the gas line, hose, or regulator. Discontinue use of product until a plumber has investigated cause and corrections are made.
Gas leaking from LP cylinder.	Mechanical failure due to rusting or mishandling.	Replace LP cylinder.
Gas leaking from LP cylinder valve.	Failure of cylinder valve from mishandling or mechanical failure.	Turn OFF LP cylinder valve. Return LP cylinder to gas supplier.
Gas leaking between LP cylinder and regulator connection.	Improper installation, connection not tight, failure of rubber seal.	Turn OFF LP cylinder valve. Remove regulator from cylinder and visually inspect rubber seal for damage. See LP Cylinder Leak Test and Connecting Regulator to the LP Cylinder.
Fire coming through control panel.	Fire in burner tube section of burner due to blockage.	Turn OFF control knobs and gas supply. Leave lid open to allow flames to die down. After fire is out and side burner is cold, remove burners and inspect for spider nests or rust. See Natural Hazard and Cleaning the Burner Assembly pages.
Grease fire or continuous excessive flames above cooking surface.	Too much grease buildup in burner pan area.	Turn OFF control knobs and gas supply. Leave lid open to allow flames to die down. After cooling, clean food particles and excess grease from inside firebox area, grease tray and other surfaces.
Gas leaking at NG appliance regulator	Regulator not sealed on inlet gas pipe on side burner.	Turn OFF gas supply. Disconnect inlet gas lines from regulator. Remove regulator from side burner and re-seal to inlet pipe. Re-connect gas lines to regulator.

Troubleshooting

Problem	Possible Cause	Prevention/Solution
Burner(s) will not light using ignitor. See Electronic Ignition Troubleshooting also.) <i>Continued on next page.</i>	GAS ISSUES:	
	Trying to light wrong burner.	See instructions on lid and in Use and Care section.
	Burner not engaged with control valve.	Make sure orifice holders are positioned inside of burner tubes.
	Obstruction in burner.	Ensure burner tubes are not obstructed with spider webs or other matter. See cleaning section of Use and Care.
	No gas flow.	Make sure LP cylinder is not empty or NG gas supply is on. If LP cylinder is not empty, refer to "Sudden drop in Gas Flow."
	Vapor lock at coupling nut to LP cylinder.	Turn OFF knobs and disconnect coupling nut from LP cylinder. Wait 30 seconds, reconnect and retry.
	Coupling nut and LP cylinder valve not fully connected.	Turn the coupling nut approximately one-half to three-quarters additional turn until solid stop. Tighten by hand only-do not use tools.
ELECTRICAL ISSUES:		
Electrode cracked or broken; "sparks at crack."	Replace electrode(s).	
Electrode tip not in proper position.	Tip of electrode should be pointing toward gas port opening on burner. The distance should be 1/8" to 1/4". Adjust if necessary.	
Wire and/or electrode covered with cooking residue.	Clean wire and/or electrode with rubbing alcohol and clean swab.	

Troubleshooting (continued)

Problem	Possible Cause	Prevention/Solution
Burner(s) will not light using ignitor. (See Electronic Ignition Troubleshooting also). <i>Continued.</i>	<p>ELECTRICAL ISSUES CON'T.:</p> <p>Wires are loose or disconnected.</p> <p>Wires are shorting (sparking) between ignitor and electrode.</p> <p>Dead battery.</p> <p>ELECTRONIC IGNITION:</p> <p>No spark, no ignition noise.</p> <p>No spark, some ignition noise.</p> <p>Sparks, but not at electrode or at full strength.</p>	<p>Reconnect wires or replace electrode/wire assembly.</p> <p>Replace ignitor wire/electrode assembly.</p> <p>Replace with a new alkaline battery.</p> <p>See Section I of Electronic Ignition System.</p> <p>See Section II of Electronic Ignition System.</p> <p>See Section III of Electronic Ignition System.</p>
Burner(s) will not match light.	<p>See "GAS ISSUES:" on previous page.</p> <p>Match will not reach</p> <p>Improper method of match-lighting.</p>	<p>Use long-stem match (fireplace match)</p> <p>See "Match-Lighting" section of Use and Care.</p>
Sudden drop in gas flow or low flame.	<p>Out of LP gas.</p> <p>Excess flow valve tripped on LP regulator.</p> <p>Vapor lock at coupling nut/LP tank connection.</p> <p>Out of NG gas or NG gas line obstruction.</p> <p>NG regulator lock-up</p>	<p>Check for gas in LP tank.</p> <p>Turn off knobs, wait 30 seconds and light side burner. If flames are still low, turn off knobs and LP tank valve. Disconnect regulator. Reconnect regulator and leak-test. Turn on LP tank valve, wait 30 seconds and then light side burner.</p> <p>Turn off knobs and LP tank valve. Disconnect coupling nut from tank. Reconnect and retry.</p> <p>Check NG gas supply.</p> <p>Have plumber check NG gas supply pressure.</p>
Flames blow out.	<p>High or gusting winds</p> <p>Low on LP gas.</p> <p>Excess flow valve tripped.</p> <p>Low on NG gas.</p>	<p>Block gusting winds.</p> <p>Refill LP tank.</p> <p>Refer to "Sudden drop in gas flow" above.</p> <p>Check NG gas supply.</p>
Flare-up.	<p>Grease buildup.</p> <p>Excessive cooking temperature.</p>	<p>Clean burners and inside of side burner pan/firebox.</p> <p>Adjust (lower) temperature accordingly.</p>
Persistent grease fire	<p>Grease trapped by food buildup around burner system.</p>	<p>Turn knobs to OFF. Turn gas off at LP tank. Leave lid in open position and let fire burn out. After side burner cools, remove and clean parts.</p>
Flashback (fire in burner tube(s)).	<p>Burner and/or burner tubes are blocked.</p>	<p>Turn knobs to OFF. Clean burner and/or burner tubes. See burner cleaning section of Use and Care manual.</p>
One burner does not light from other burner(s).	<p>Burner and/or burner tubes are blocked..</p>	<p>Turn knobs to OFF. Clean burner and/or burner tubes. See burner cleaning section of Use and Care manual.</p>

Troubleshooting - Electronic Ignition

Problem (Ignition)	Possible Cause	Check Procedure	Prevention/Solution
<p>SECTION I</p> <p>No sparks appear at any electrodes when Electronic Ignition Button is pressed; no noise can be heard from spark module.</p>	<p>Battery not installed properly.</p> <p>Dead battery.</p> <p>Button assembly not installed properly.</p> <p>Faulty spark module.</p> <p>Switch wires disconnected.</p>	<p>Check battery orientation.</p> <p>Has battery been used previously?</p> <p>Check to ensure threads are properly engaged. Button should travel up and down without binding.</p> <p>If no sparks are generated with new battery and good wire connections, module is faulty.</p> <p>Check to ensure switch wires are connected.</p>	<p>Install battery (make sure that "+" and "-" connectors are oriented correctly, with "+" end up and "-" end down.</p> <p>Replace battery with new alkaline battery.</p> <p>Remove battery cap and reinstall, making sure it can be fully engaged.</p> <p>Replace spark module.</p> <p>Reconnect switch wires.</p>
<p>SECTION II</p> <p>No sparks appear at any electrodes when Electronic Ignition Button is pressed; noise can be heard from spark module.</p>	<p>Output lead connections not connected.</p>	<p>Are output connections on and tight?</p>	<p>Remove and reconnect all output connections at module and electrodes.</p>
<p>SECTION III</p> <p>Sparks are present but not at all electrodes and/or not at full strength.</p>	<p>Output lead connections not connected.</p> <p>Arcing to side burner away from burner(s).</p> <p>Weak battery.</p> <p>Electrodes are wet.</p> <p>Electrodes cracked or broken "sparks at crack".</p>	<p>Are output connections on and tight?</p> <p>If possible, observe side burner in dark location. Operate ignition system and look for arcing between output wires and side burner frame.</p> <p>All sparks present but weak or at slow rate.</p> <p>Has moisture accumulated on electrode and/or in burner ports?</p> <p>Inspect electrodes for cracks.</p>	<p>Remove and reconnect all output connections at module and electrodes.</p> <p>If sparks are observed other than from burner(s), wire insulation may be damaged. Replace wires.</p> <p>Replace battery with a new alkaline battery.</p> <p>Use paper towel to remove moisture.</p> <p>Replace cracked or broken electrodes.</p>

SABER®

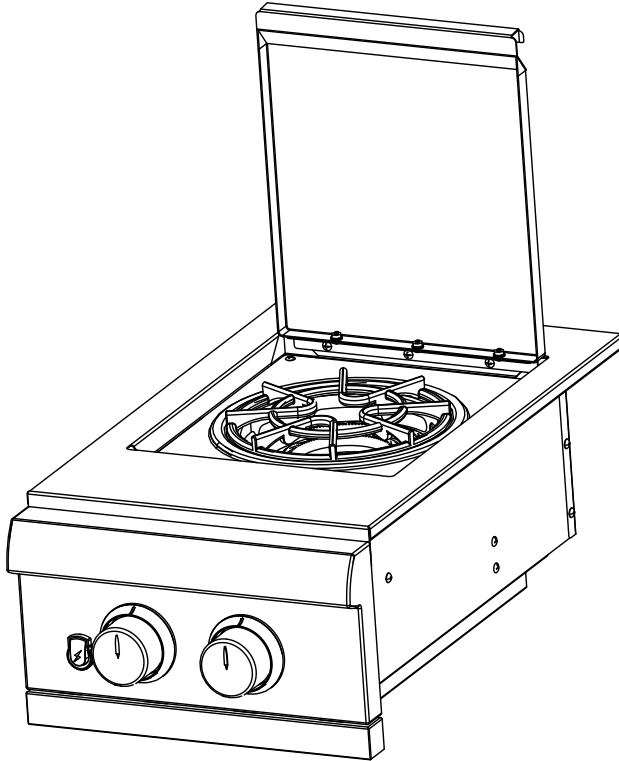
ARMADO DEL QUEMADOR LATERAL Y GUÍA DEL PRODUCTO

IMPORTANTE: Proporcione la información de registro del producto a continuación.

Coloque aquí la etiqueta de número de serie.

Número de serie

Fecha de compra



MODELO K00SB1814

Si tiene alguna pregunta o necesita asistencia durante el armado, llame al teléfono 1-888-94-SABER
1-888-947-2237

Para obtener asistencia y para registrar su quemador lateral, visite www.sabergrills.com



Para ver las patentes www.sabergrills.com/patents



PARA CONVERSIÓN DE GAS LP:

- Se debe usar el paquete de conversión para gas LP A00AA0912. Se vende por separado.
- Se requiere integrar ventilación adicional al gabinete.
- Se debe agregar un soporte de retención para el tanque al gabinete.
- Se debe proporcionar un acceso fácil al tanque de gas LP en el gabinete.
- Vea las instrucciones del paquete de conversión de gas LP modelo A00AA0912 para conocer los requerimientos de construcción para un sistema remoto de gas LP.

ÍNDICE

Para su seguridad.....	2-3
Uso y cuidado.....	4-6
Desembalaje.....	7
Instalación.....	8-12
Garantía.....	13-15
Lista de piezas K00SB1814.....	16
Diagrama de piezas K00SB1814.....	16
Solución de problemas.....	17-19

Símbolos de seguridad

Los símbolos y cuadros a continuación explican el significado de cada encabezado. Lea y obedezca todos los mensajes que se encuentran en este manual.



ADVERTENCIA

ADVERTENCIA: Indica una situación potencialmente peligrosa que, si no se evita, podría causar muerte o lesiones graves.



PRECAUCIÓN

PRECAUCIÓN: Indica una situación potencialmente peligrosa que, si no se evita, podría causar lesiones menores o moderadas.



PELIGRO

PELIGRO: Indica una situación inminentemente peligrosa que, si no se evita, causará muerte o lesiones graves.



PELIGRO



Si percibe olor a gas:

1. Cierre el gas hacia el aparato.
2. Apague cualquier flama abierta.
3. Abra la tapa.
4. Si el olor continúa, manténgase alejado del aparato y llame de inmediato a su proveedor de gas o al departamento de bomberos.



ADVERTENCIA



1. No guarde gasolina u otros líquidos inflamables cerca de este o de otros aparatos.
2. Los tanques de gas LP que no estén conectados para usarse no deben mantenerse cerca de este ni de ningún otro aparato.



PRECAUCIÓN



Solamente para uso residencial. No debe usarse para cocina comercial.

ESTE QUEMADOR LATERAL DEBE USARSE ÚNICAMENTE EN EXTERIORES.



PRECAUCIÓN:

Lea y obedezca todos los mensajes de seguridad, instrucciones de armado e instrucciones de uso y cuidado antes de armar y cocinar con el quemador lateral.

INSTALADOR O ARMADOR:

Deje este manual con el consumidor.

CONSUMIDOR:

Conserve este manual para consulta en el futuro.



ADVERTENCIA:

Si no sigue las instrucciones del fabricante, podría causar lesiones o daños materiales serios.



PRECAUCIÓN:

Algunas piezas pueden contener bordes cortantes, especialmente donde lo indica este manual. Use guantes de protección si es necesario.

ADVERTENCIA

PROPUESTA 65 DE CALIFORNIA

1. Los productos derivados de la combustión producidos con el uso de este aparato contienen químicos conocidos en el Estado de California como causantes de cáncer, defectos del nacimiento y otros daños reproductivos.
2. Este producto contiene químicos, incluyendo plomo y compuestos de plomo, conocidos en el Estado de California como causantes de cáncer, defectos del nacimiento u otros daños reproductivos.

Lávese las manos después de manipular este producto.

Precauciones de seguridad para la instalación

- Use este quemador lateral, como lo compró, solamente con gas natural y la unidad de regulador y válvula incluida. Para usarse con gas LP (propano), se debe comprar un paquete de conversión.
- La instalación del quemador lateral debe hacerse en conformidad con los códigos locales, ya sea el Código Nacional para Gas Combustible (National Fuel Gas Code), ANSI Z223.1 o NFPA 54, el Código de Instalación de Gas Natural y Propano (Natural Gas and Propane Installation Code) CSA B149.1 o el Código de Almacenamiento y Manejo de Propano (Propane Storage and Handling Code) B149.2.
- Este quemador lateral tiene certificación de seguridad para usarse en los Estados Unidos y Canadá solamente. No lo modifique para usarlo en otros lugares. La modificación causará un riesgo de seguridad.
- Se debe usar la unidad del regulador de presión y la manguera incluidos, y los reemplazos deben ser los que especifique el fabricante del aparato.

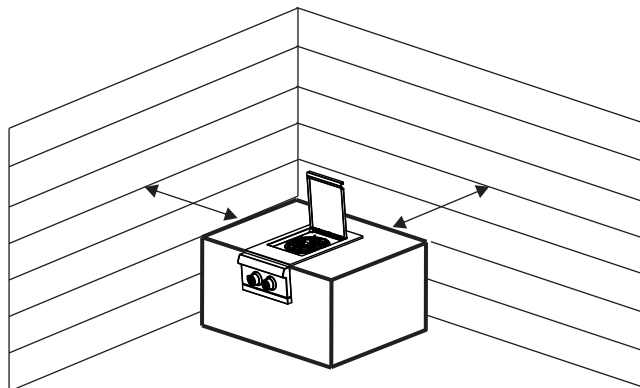
ADVERTENCIA

No intente reparar o alterar el regulador de gas natural debido a cualquier defecto "supuesto". Cualquier modificación a esta unidad anulará la garantía y creará un riesgo de fuga de gas e incendio. Use solamente pizas de reemplazo provistas por el fabricante.

ADVERTENCIA

Para usar el quemador lateral en forma segura y evitar lesiones graves:

- No permita a los niños usar o jugar cerca del quemador lateral.
- Mantenga el área del quemador lateral libre y sin materiales inflamables.
- No obstruya los orificios de ventilación de los lados o de la parte posterior del quemador lateral.
- Revise las flamas del quemador regularmente.
- Use el quemador lateral solamente en un lugar bien ventilado. NUNCA lo use en un espacio cerrado tal como un cobertizo para coches, cochera o patio techado, ni debajo de ninguna construcción de ningún tipo.
- No use briquetas de carbón o de cerámica en un quemador lateral.
- **Use el quemador lateral por lo menos a un metro de distancia de cualquier pared o superficie.** Deje un espacio libre de tres metros de los objetos que pueden incendiarse o de fuentes de ignición tales como pilotos de calentadores de agua, aparatos eléctricos conectados, etc.



Consejos de seguridad

- Cuando no use el quemador lateral, cierre todas las perillas de control y la válvula del gas.
- Use utensilios de cocina de mango largo y guantes para horno para evitar quemaduras y salpicaduras.
- La charola debe insertarse en el quemador lateral durante el uso y vaciarse después de cada uso. No retire la charola hasta que el quemador lateral esté completamente frío.
- Limpie el quemador lateral con frecuencia, de preferencia cada vez después de cocinar.
- Si observa grasa u otro material caliente que gotea del quemador lateral hacia la válvula, línea de gas o regulador, cierre el gas de inmediato. Encuentre la causa, corrijala y luego limpie e inspeccione la válvula, la línea del gas y el regulador antes de continuar. Realice una prueba para detectar fugas.
- El regulador de gas natural puede producir un zumbido o silbido cuando está funcionando. Esto no afecta la seguridad o uso del quemador lateral.
- Si tiene algún problema con el quemador lateral, consulte la sección de solución de problemas.

USO Y CUIDADO



PELIGRO



No introduzca ninguna herramienta u objeto extraño en la salida de la válvula. Esto podría dañar la válvula y causar fugas. Las fugas de gas pueden causar explosión, incendio, lesiones graves o muerte.



ADVERTENCIA



- Los aparatos de gas para exteriores no deben instalarse en barcos o botes.
- Los aparatos de gas para exteriores no deben instalarse en vehículos recreativos (RV).
- Nunca intente conectar este quemador lateral con el sistema de gas independiente de un remolque o casa móvil.
- No use este quemador lateral hasta que se haya comprobado que no tiene fugas.
- Si se detecta alguna fuga en cualquier momento, DETENGA lo que esté haciendo y llame al departamento de bomberos.
- Si no puede detener una fuga de gas, cierre de inmediato la válvula del gas y llame a su proveedor de gas o al departamento de bomberos.




PRECAUCIÓN



- **No es posible apagar el fuego causado por la grasa al cerrar la tapa. Los quemador laterals están bien ventilados por razones de seguridad.**
- **No use agua para tratar de apagar el fuego causado por la grasa. Esto podría resultar en lesiones personales. Si se presenta fuego debido a la grasa, apague las perillas y cierre la válvula del gas.**
- **No deje el quemador lateral solo mientras caliente o quema residuos de comida en la posición HI. Si el quemador lateral no se ha limpiado regularmente, podría ocurrir fuego debido a la grasa que podría dañar el producto.**

Encendido del quemador lateral

NO se apoye en el quemador lateral mientras lo enciende.

1. Cierre todas las perillas de control.
2. Abra el suministro de gas
3. Abra la tapa del quemador lateral durante el encendido.
4. Para encender, presione y gire la perilla de control del quemador lateral a la posición .
5. Presione y mantenga así el botón “ELECTRONIC IGNITION” (Encendido electrónico) hasta que el quemador se encienda.
6. Si el encendido NO ocurre dentro de cinco segundos, apague las perillas de control, espere cinco minutos y repita el procedimiento de encendido.
7. Repita los pasos 4 a 6 para el segundo quemador.



PRECAUCIÓN



Si NO se enciende en cinco segundos, gire la perilla de control a la posición “OFF” (APAGADO), espere cinco minutos y repita el procedimiento de encendido. Si el quemador no enciende con la válvula abierta, el gas continuará llegando hasta el quemador y podría incendiarse accidentalmente y posiblemente causar lesiones.





ADVERTENCIA

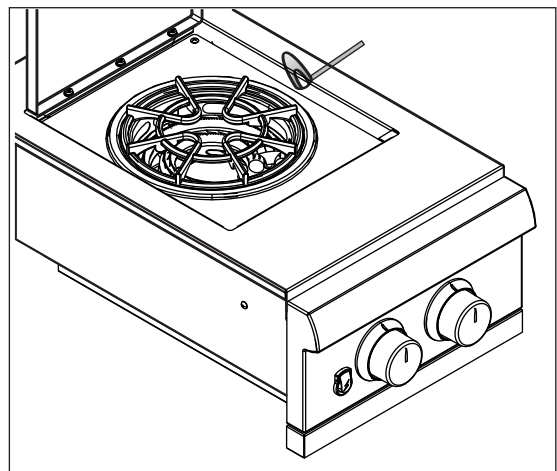


Apague los controles y cierre el suministro de gas cuando no lo use.

Encendido del quemador lateral con cerillos

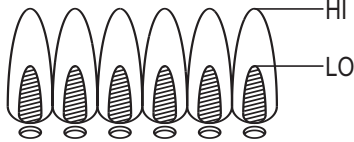
NO se apoye en el quemador lateral mientras lo enciende.

1. Cierre todas las perillas de control.
2. Abra el suministro de gas
3. Acerque un fósforo al quemador.
4. Coloque el cerillo cerca de la abertura inferior de la charola del quemador.
5. Presione y gire la perilla de control del quemador que va a encender a la posición . Asegúrese de que el quemador permanezca encendido.
6. Encienda el quemador adyacente presionando y girando la perilla a la posición .



Verificación de la flama del quemador

Retire los emisores y las parrillas de cocción. Encienda los quemadores y gire las perillas de control de HI a LO. Deberá ver una flama más pequeña en la posición LO que en la posición HI. Revise la flama siempre antes de cada uso. Si solamente ve una flama baja, consulte "Caída repentina o flama baja" en la sección de solución de problemas.



Apagado del quemador lateral

- Gire todas las perillas de control a la posición de OFF (apagado). Gire el suministro de gas a la posición de OFF (apagado).

Revisión del encendedor

- Cierre el suministro de gas. Mantenga pulsado el botón de encendido electrónico. "Click" deben ser escuchadas y ver chispas cada vez, entre la caja de recolección o el quemador y el electrodo. Consulte "Solución de problemas" si no clic o chispa.

Revisión de las válvulas

- Importante: Asegúrese de que el suministro de gas esté cerrado antes de revisar las válvulas. Las perillas de control se bloquean en la posición de OFF (apagado). Para revisar las válvulas, primero presione las perillas de control y luego suéltelas. Estas deberán volver a saltar. Si no vuelven a saltar, reemplace el conjunto de la válvula antes de usar el quemador lateral. Gire las perillas de control a la posición LO y luego regréselas a la posición OFF. Las válvulas deben girar sin ningún problema.

Revisión de la manguera

- Antes de cada uso, revise si las mangueras flexibles de acero inoxidable no están cortadas o desgastadas. Reemplace las mangueras que estén dañadas antes de usar el quemador lateral. Use solamente la manguera y regulador de gas natural especificados por el fabricante.

Limpieza general de la parrilla

No confunda la acumulación marrón o negra de grasa con la pintura. Aplique una solución fuerte de detergente y agua, o use un limpiador de asadores con un cepillo para fregar en la parte interna de la tapa del quemador lateral y en la parte inferior.

Enjuague y deje secar completamente en el aire.

No use limpiadores cáusticos para quemador laterales o estufas en las superficies pintadas.

- **Piezas de plástico:** Lávelas con agua jabonosa tibia y séquelas. No utilice Citrisol, limpiadores abrasivos, desengrasantes ni limpiador concentrado para asadores en las piezas de plástico. Esto puede provocar daños a las piezas y hacer que se rompan.
- **Superficies de porcelana:** Debido a su composición parecida al vidrio, la mayoría de los residuos se pueden limpiar con una solución de bicarbonato de sodio y agua o con un limpiador formulado especialmente. Utilice limpiador en polvo no abrasivo para las manchas tercas.
- **Superficies pintadas:** Lávelas con detergente suave o con limpiador no abrasivo y agua jabonosa tibia. Séquelas con un paño suave y no abrasivo.

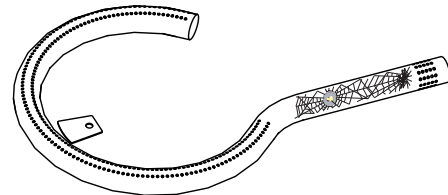
Limpieza general del quemador lateral (continuación)

- **Superficies de acero inoxidable:** Para mantener la apariencia de alta calidad del quemador lateral, lávelo con detergente suave y agua jabonosa tibia, y séquelo con una tela suave después de cada uso. Los depósitos de grasa adherida pueden requerir el uso de una esponja limpiadora de plástico abrasiva. Utilícela sólo en la dirección del acabado cepillado para evitar daños. No use la esponja abrasiva en las áreas con gráficos.

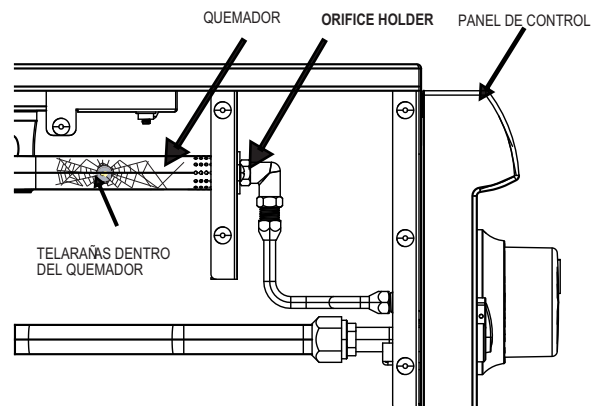


¡CUIDADO CON LAS ARAÑAS!

ARAÑAS Y TELARAÑAS DENTRO DEL TUBO DEL QUEMADOR



Si observa que es difícil encender el quemador lateral o que la flama no es tan fuerte como debería ser, revise y limpie los quemadores.



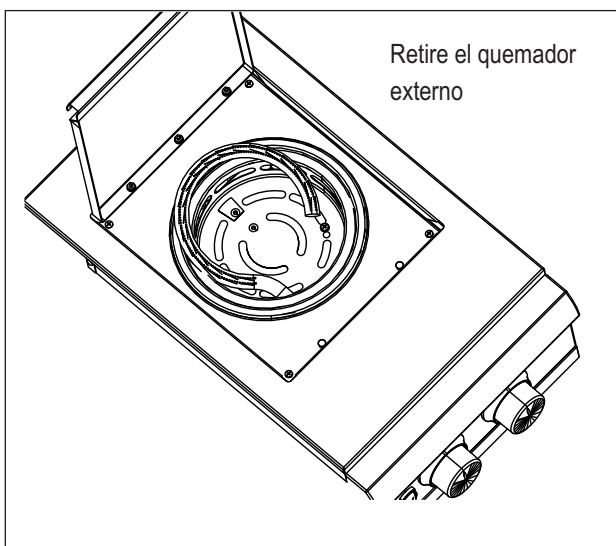
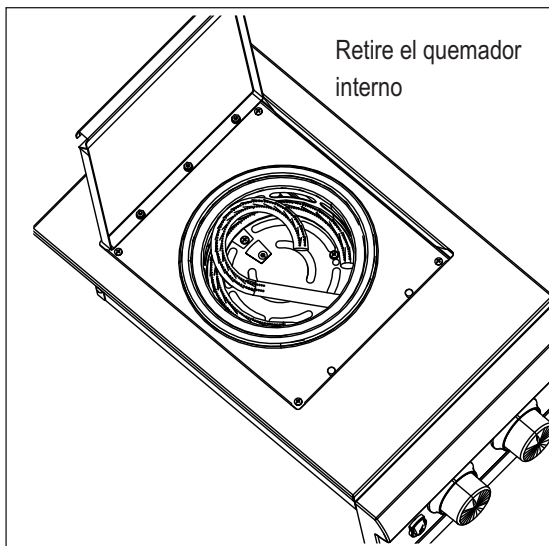
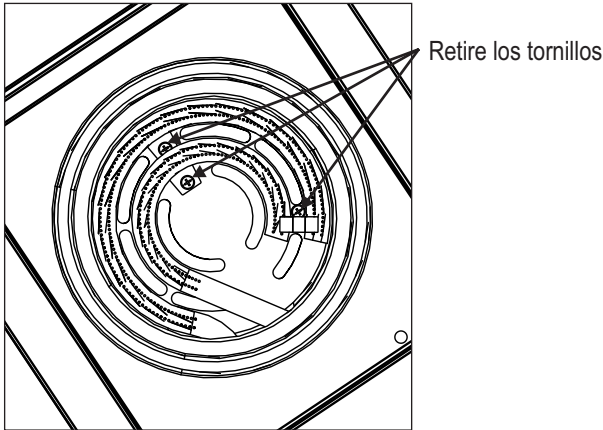
Se sabe que en algunas regiones las arañas o insectos pequeños causan problemas de retorno de la flama. Las arañas tejen telarañas, construyen nidos y ponen huevecillos en los tubos de los quemadores del quemador lateral, obstruyendo el flujo de gas del quemador. El gas que retrocede puede incendiarse en el quemador detrás del panel de control. Esto se conoce como retorno de la flama y puede dañar el quemador lateral e incluso causar lesiones.

Para prevenir el retorno de la flama y asegurar el funcionamiento correcto, se debe retirar el conjunto del quemador del quemador lateral y limpiarse antes de usarse siempre que el quemador lateral haya estado sin usarse durante un tiempo prolongado.

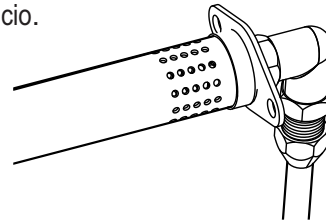
Limpeza del conjunto del quemador

Siga estas instrucciones para limpiar o reemplazar piezas del conjunto del quemador o si tiene problemas para encender el quemador lateral.

1. **Cierre el gas en las perillas de control y en el suministro de gas.**
2. Retire las rejillas de cocción.
3. Retire los tornillos que aseguran el encendido y los quemadores
4. Retire el electrodo de encendido pero déjelo conectado al cable de encendido.
5. Retire con cuidado el quemador interno.
6. Retire con cuidado el quemador externo.



7. Sugerimos tres formas de limpiar los tubos del quemador. Utilice la que sea más fácil para usted.
 - (A) Doble un alambre rígido para hacer un gancho pequeño (una percha de ropa ligera funciona bien). Pase el gancho varias veces a través del tubo del quemador
8. Cepille toda la superficie externa del quemador para eliminar los residuos de comida y suciedad.
9. Limpie los orificios que estén obstruidos con un alambre rígido, por ejemplo con un clip para papel extendido.
10. Revise si hay daño en el quemador; algunos orificios podrían haberse hecho más grandes debido al desgaste normal y a la corrosión. Si hay grietas u orificios grandes, reemplace el quemador.
11. Reemplace con cuidado los quemadores y asegúrelos con los tornillos que se retiraron en el paso 3. **MUY IMPORTANTE:** Los tubos del quemador deben reconectarse al soporte del orificio.



Corrija la conexión del quemador al soporte del orificio

12. Reemplace el electrodo de encendido y asegúrelo con un tornillo.
13. Verifique el funcionamiento del encendido.
14. Reemplace las rejillas de cocción.

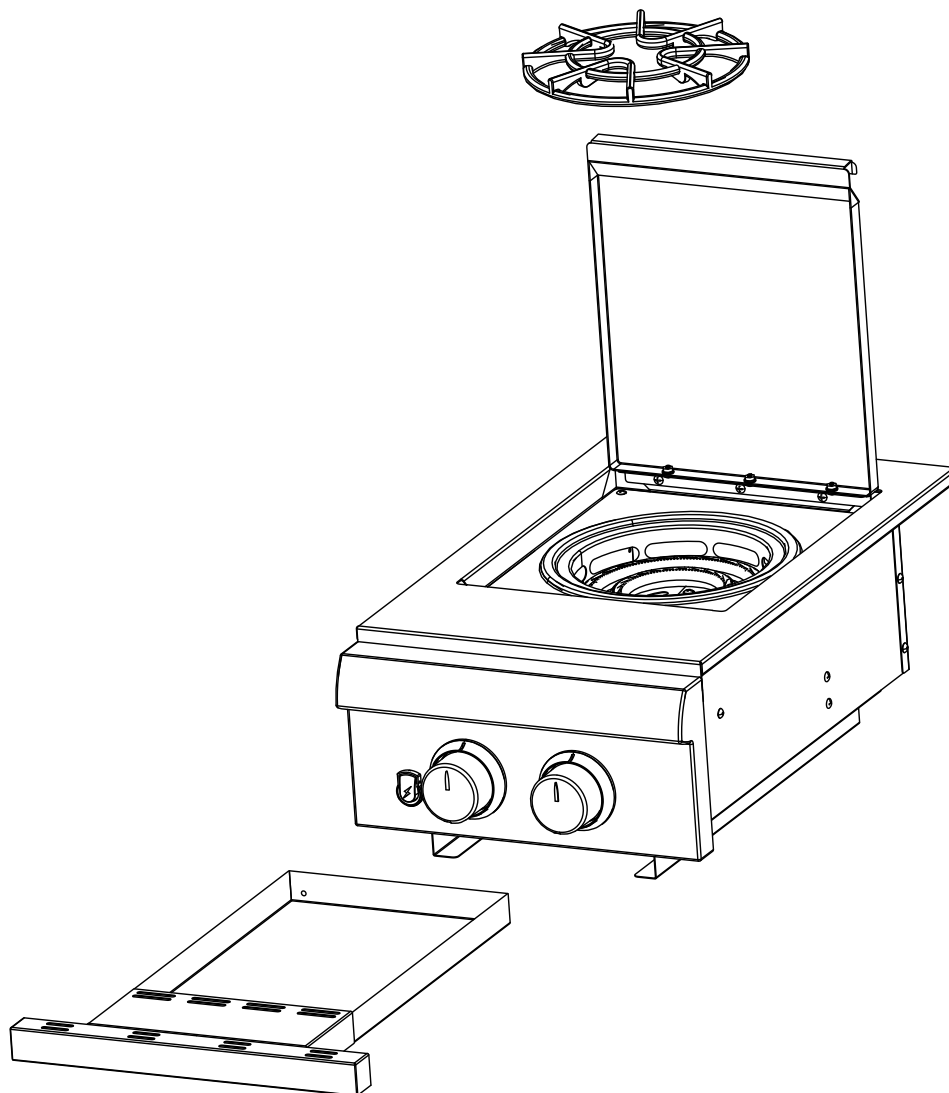
Requerimientos de instalación

Cómo asegurar la circulación correcta del aire de combustión y de enfriamiento

Se DEBE mantener un flujo de aire correcto para que el quemador lateral funcione como fue diseñado. Si el flujo de aire se obstruye, esto causará sobrecalentamiento y combustión deficiente.

DESEMBALAJE

1. Coloque el recipiente en una superficie limpia y nivelada.
2. Abra la tapa del recipiente y retire la unidad del quemador lateral.
3. Abra la tapa del quemador lateral y retire las rejillas de cocción y la bandeja.





ADVERTENCIA



PARA CONVERSIÓN DE GAS LP:

Se debe usar el paquete de conversión para gas LP A00AA0912. Los detalles específicos para la fabricación del gabinete se incluyen en las instrucciones del paquete de conversión.

- Se requiere integrar ventilación adicional al gabinete.
- Se debe agregar un soporte de montaje para el tanque al gabinete.

INSTALACIÓN

Materiales incluidos: Unidad de quemador lateral integrada

Materiales no incluidos: Materiales de fabricación del gabinete, brazos de soporte para la unidad integrada y sujetadores para la fijación de los brazos de soporte.

NOTA: EL GABINETE DEBE FABRICARSE DE MATERIALES NO COMBUSTIBLES.

1. Fabricación del gabinete.

NOTA: Si el quemador lateral va a usarse como quemador lateral de reemplazo en un gabinete de quemador lateral ya existente, consulte a su contratista local para determinar si el quemador lateral funcionará correctamente con su gabinete actual.

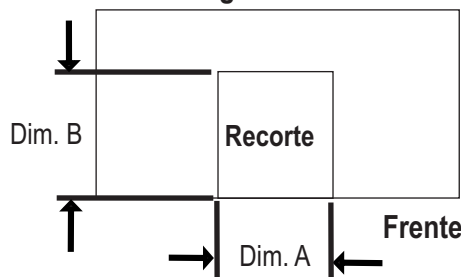
Consulte la siguiente tabla para obtener las medidas de corte de la caja y los lugares disponibles de montaje para asegurar el quemador lateral a la caja.

Las medidas mínimas de la caja son de 34" (86,4 cm) de alto, 23" (58,4 cm) de ancho y 27" (68,6 cm) de profundidad.

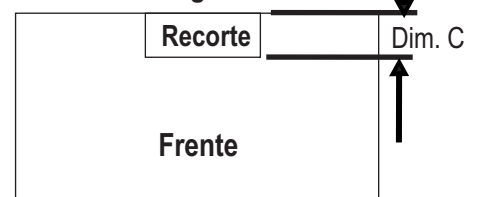
NOTE: El área inmediatamente debajo del quemador lateral debe estar abierta. No debe ser una superficie sólida.

MODELO	Dim. A	Dim. B	Dim. C
K00SB1814	12.60" (32.0 cm)	21.40" (54.4 cm)	9.00" (22.9 cm)

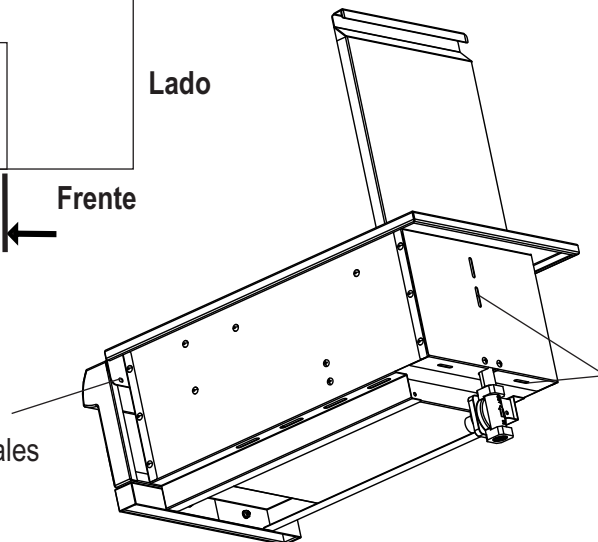
Vista superior del gabinete



Vista frontal del gabinete



Orificios de montaje frontales (uno a cada lado)



Orificios de montaje trasero

Se puede acceder a los orificios de montaje frontales retirando el panel de control frontal superior. Esto se realiza retirando primero la perilla de control y los cuatro tornillos de montaje que se encuentran detrás. Esto permitirá retirar el conjunto de válvulas del panel de control. Luego retire los dos tornillos debajo del panel de control. Retire el panel de control de la parte inferior y levántelo, mostrando los orificios de montaje frontal. Vuelva a asegurar el panel de control, conjunto de válvulas y perillas de control.

Se puede acceder a los orificios de montaje trasero desde la parte inferior del quemador lateral, retirando la bandeja inferior e instalando los tornillos de montaje desde abajo del quemador lateral cuando se instala.

INSTALACIÓN (CONTINUACIÓN)

2. Módulo de encendido electrónico.

NOTA: La instalación del módulo de encendido, así como cualquier extensión y modificación, debe hacerla un electricista calificado.

Este quemador lateral se entrega con suficiente cableado para montar el módulo de encendido en el lugar que muestra la Figura 1. El módulo de encendido puede montarse en un lugar diferente al extender los cables del interruptor y los cables del encendedor. No se proporcionan extensiones de cables, las cuales deben ser de materiales cuya capacidad sea equivalente a las del cable del interruptor y del encendedor que se proporciona con el quemador lateral (vea la clasificación impresa en cada cable). Si se extienden los cables, tenga cuidado de mantener las conexiones proporcionadas de fábrica que conectan los cables con los demás componentes del quemador lateral. El módulo de encendido debe montarse de manera que se tenga fácil acceso al compartimiento de la batería para reemplazo de esta. Vea la Figura 2. Conecte los cables en las conexiones pequeñas y grandes en la parte posterior del módulo de encendido. Vea la Figura 3.

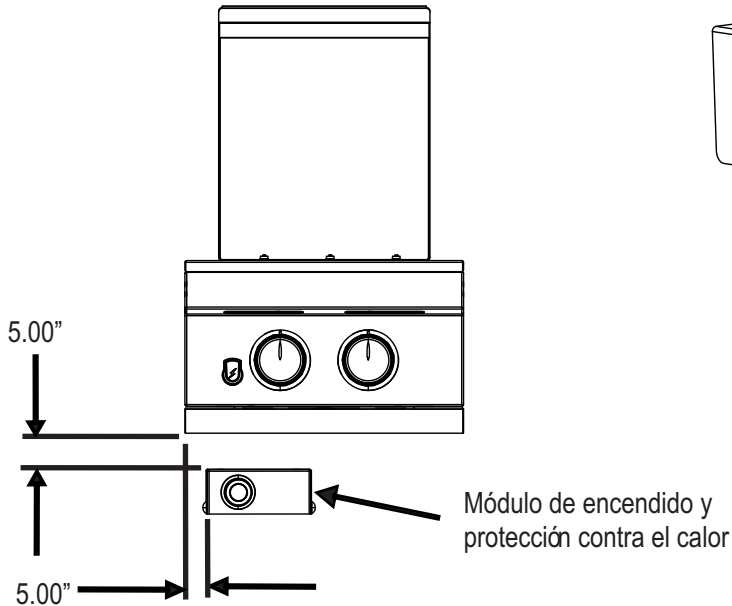


Figura 1

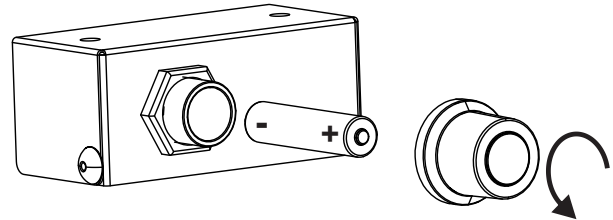


Figura 2

1. Separe el módulo de encendido electrónico del protector de calor.
2. Monte el protector de calor usando los 2 orificios para tornillos suministrados
3. Ensamble el módulo de encendido electrónico al protector de calor usando una tuerca.
4. Instale la pila y la tapa.
5. Ajuste los cables como se muestra en la figura.

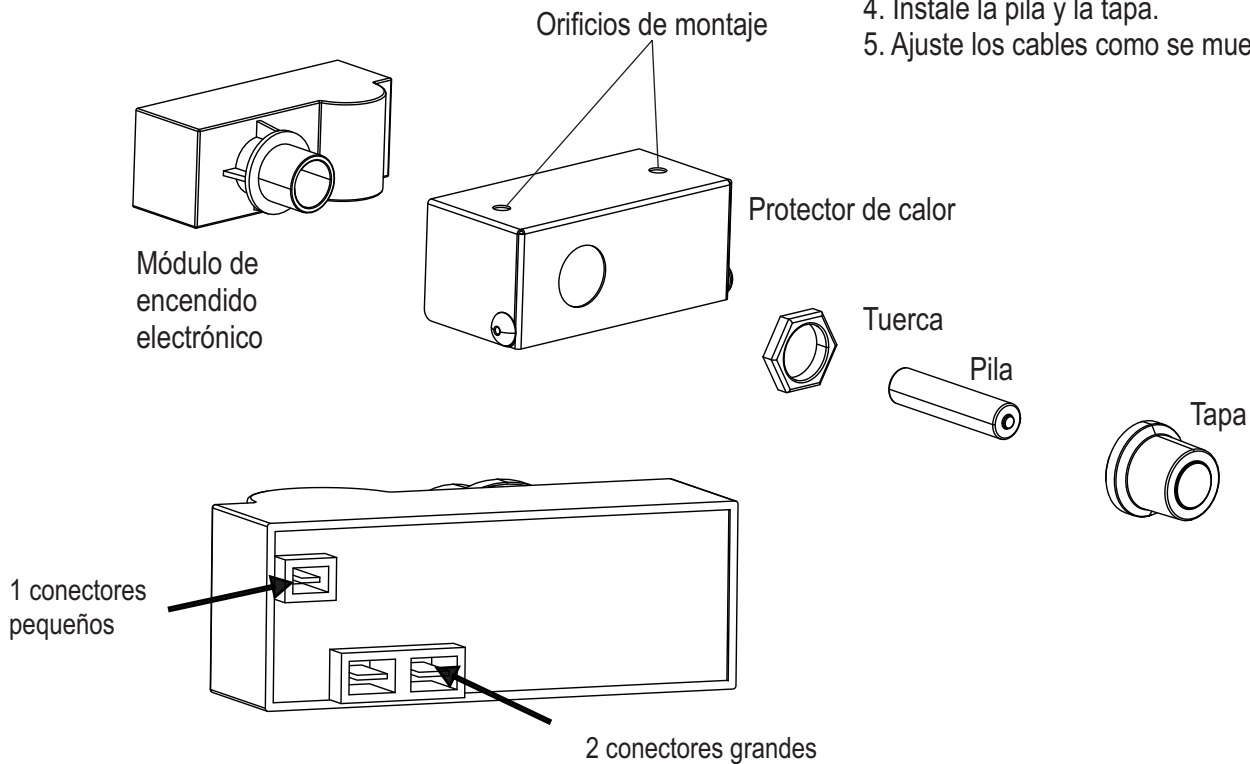


Figura 3

INSTALACIÓN (CONTINUACIÓN)

4. Conexión de la línea de suministro de gas natural

NOTA: La instalación de la línea de suministro de gas al quemador lateral debe hacerla un plomero calificado.

La línea de suministro de gas de su casa debe dirigirse hasta la esquina posterior derecha del quemador lateral, dentro del gabinete del quemador lateral. Se recomienda usar tubería rígida para conectar en la entrada del regulador del aparato de gas natural. El movimiento constante de los tubos flexibles de gas podría causar fatiga de la tubería flexible y fugas de gas. Si la línea de suministro doméstica no usa tubería rígida, cualquier línea de gas flexible debe fijarse dentro del gabinete para prevenir el movimiento constante y la fatiga.

Antes de instalar el quemador lateral en el gabinete:

1. Cierre el suministro de gas doméstico (posición **OFF**).
2. Retire el tapón protector de plástico del accesorio de conexión del tubo de $\frac{1}{2}$ " que se encuentra en la parte inferior de la esquina posterior derecha del quemador lateral (vea la Figura 5).

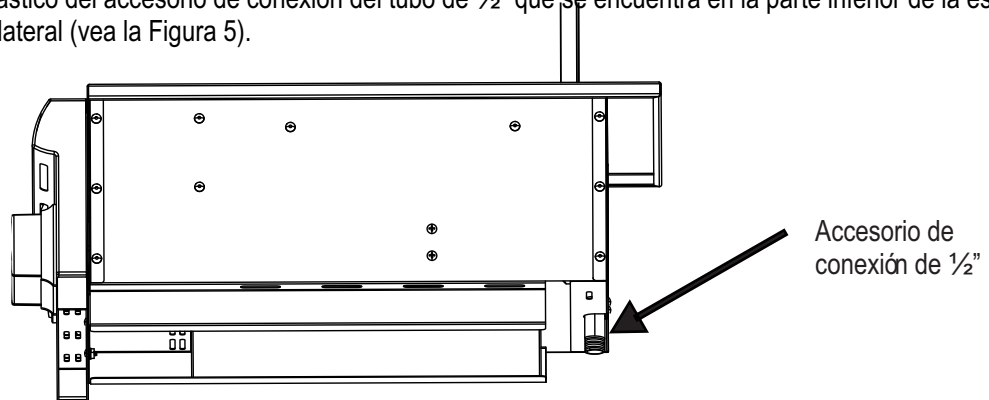


Figura 5
Vista lateral

3. Aplique compuesto para conexiones de tubería (no incluido) al accesorio de conexión de $\frac{1}{2}$ ". El compuesto que se use debe ser resistente a todos los gases.
4. Conecte el regulador del aparato de gas natural (incluido) en el accesorio de conexión de $\frac{1}{2}$ ", teniendo cuidado de conectar el lado de salida hacia el accesorio de conexión (vea la Figura 6). Los lados de entrada (IN) y salida (OUT) del regulador están marcados en la parte posterior del cuerpo del regulador.

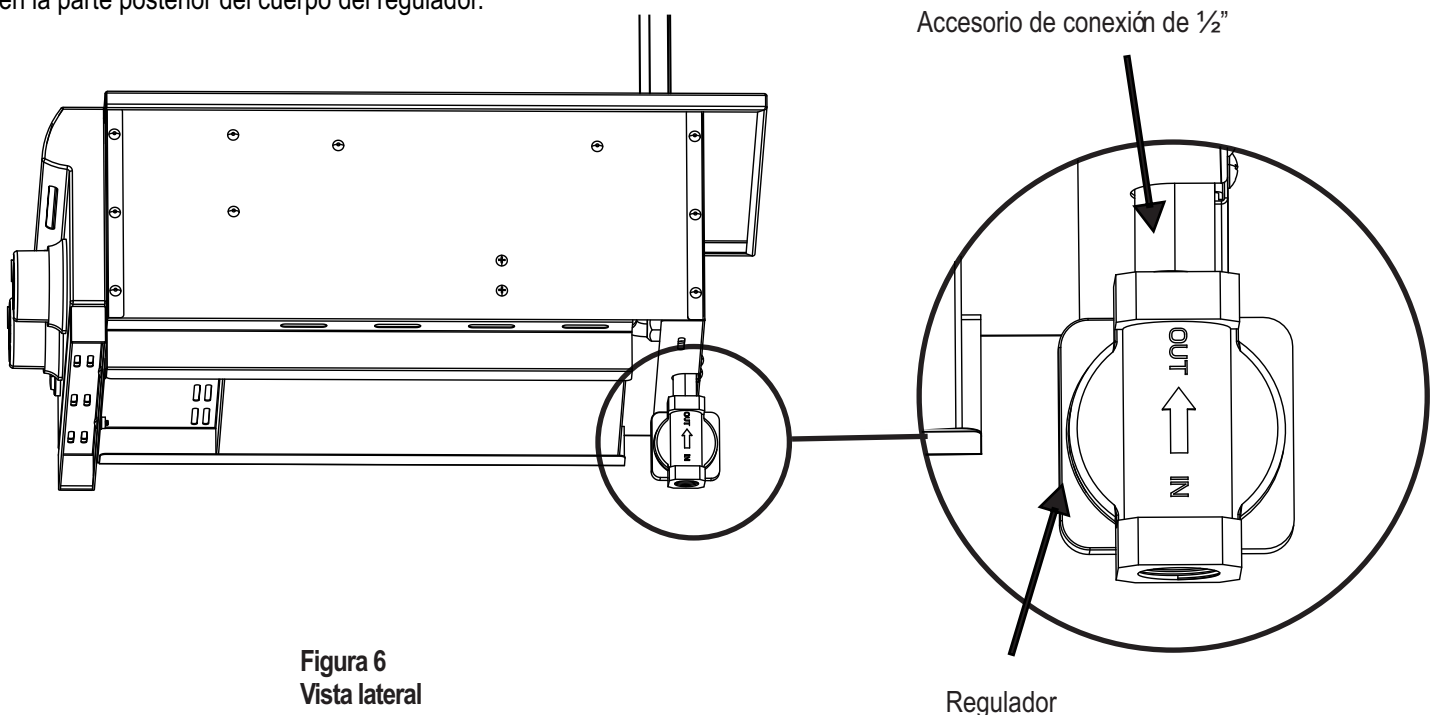


Figura 6
Vista lateral

INSTALACIÓN (CONTINUACIÓN)

4. Conexión de la línea de suministro de gas natural (continuación)

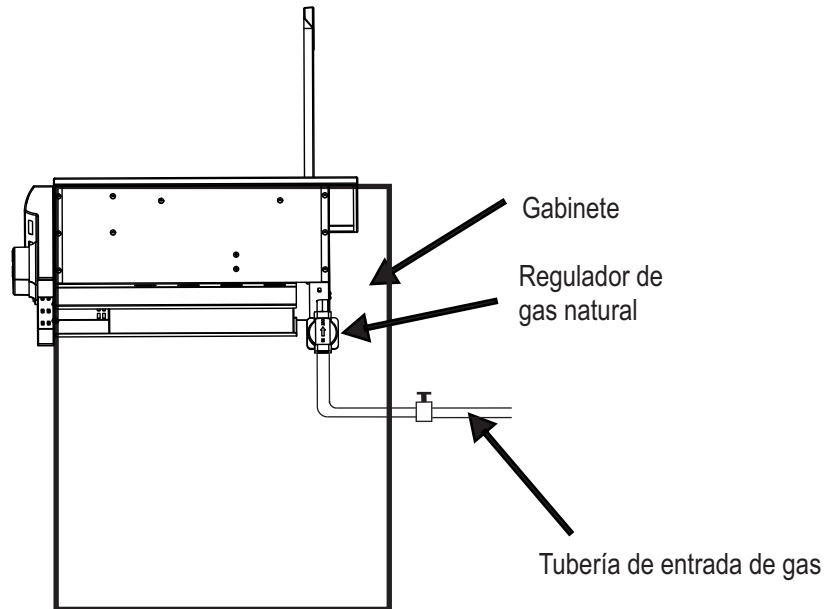


Figura 7
Vista lateral

5. El quemador lateral está ahora listo para instalarse en el gabinete. Tenga cuidado de no dañar el regulador durante la instalación. Se requieren dos personas para levantar el quemador lateral y colocarlo en el gabinete.

Después de instalar el quemador lateral en el gabinete:

1. Conecte la tubería doméstica de suministro de gas en el lado de entrada del regulador del aparato de gas natural, siguiendo los métodos de conexión recomendados y descritos más atrás. Aplique compuesto para conexiones de tubería (no incluido) en la tubería de entrada antes de conectar la tubería en el regulador.
2. Confirme que todas las perillas del quemador lateral estén apagadas (OFF).
3. Abra el gas de suministro doméstico.
4. Proceda al paso 5, Prueba de detección de fugas.

NOTA: Se recomienda instalar una válvula de cierre manual fuera del gabinete del quemador lateral (vea la Figura 8).

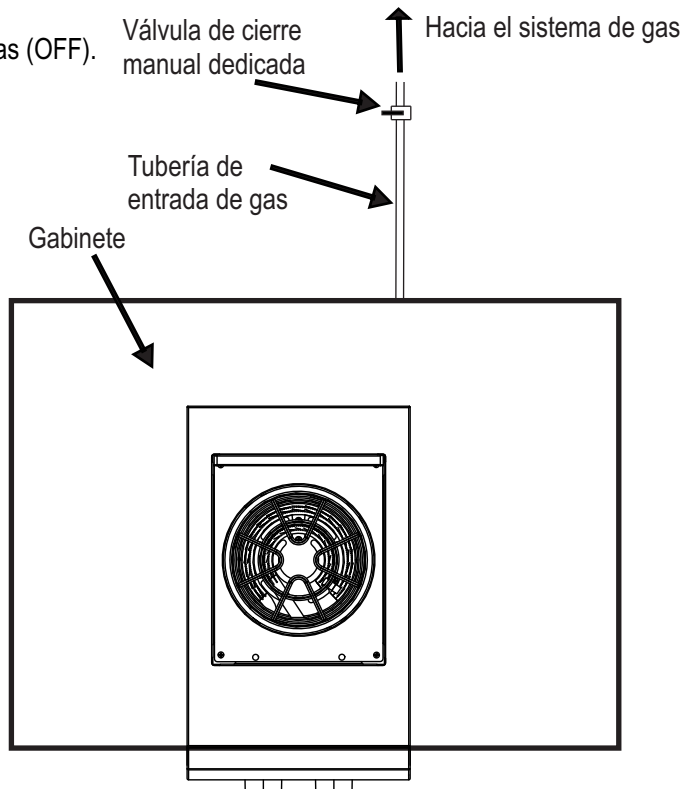


Figura 8
Vista superior

INSTALACIÓN (CONTINUACIÓN)

5. Prueba de detección de fugas

1. Cierre todas las perillas de control del quemador lateral.
2. Abra el gas de suministro doméstico.
3. Use una brocha para pintar limpia y una solución de agua jabonosa suave 50/50. Aplique la solución jabonosa en las áreas indicadas. (Vea la Figura 9).
4. Si aparecen burbujas que aumentan de tamaño, hay una fuga. Cierre el suministro de gas principal y apriete bien todas las conexiones. Si no puede detener la fuga, no trate de repararla; llame a un plomero calificado para que la corrija.
5. El aparato y la válvula de cierre individual deben desconectarse del sistema de tubería de suministro de gas durante cualquier prueba de presión en ese sistema a presiones mayores de ½ psig (3.5 kPa).
6. El aparato debe aislarse del sistema de tubería de suministro de gas al cerrar la válvula de cierre manual durante cualquier prueba de presión del sistema de tubería de suministro de gas a presiones de prueba iguales o menores de ½ psig (3.5k Pa).

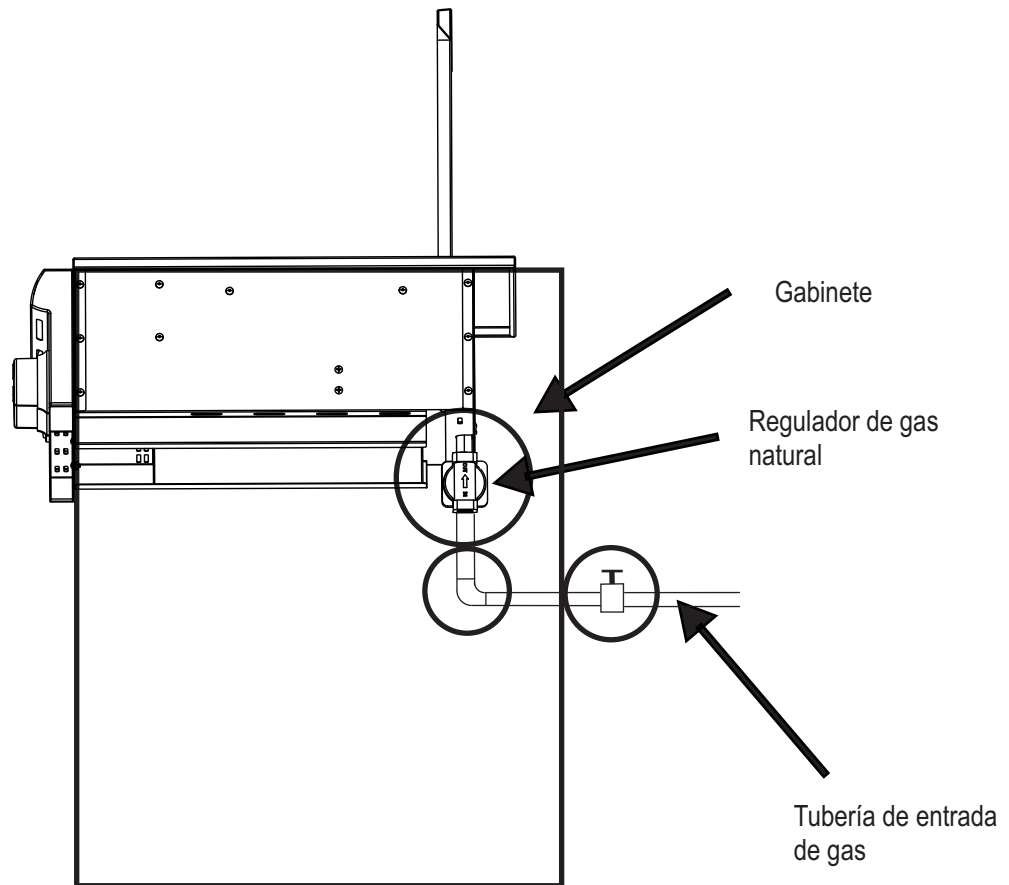


Figura 9 Vista lateral

Elemento	Término de garantía
Piezas de acero inoxidable	
Tapas	Garantía limitada de por vida
Fogón exterior	Garantía limitada de por vida
Tubos de quemadores y tubos de transferencia	10 años
Parrillas y bandeja del quemador lateral	5 años sin óxido o calcinación
Piezas de porcelana con esmalte	
Inserto de tapa	Garantía limitada de por vida (excluye decoloración)
Fogón interior	Garantía limitada de por vida sin oxidación o calcinación (excluye decoloración)
Parrillas y bandeja del quemador lateral	5 años sin óxido o calcinación (excluye decoloración)
Piezas pintadas	2 años (excluye decoloración)
Todas las demás piezas	2 años

GARANTÍA LIMITADA DE POR VIDA:

Saber garantiza que los componentes fabricados de acero inoxidable (tapas, insertos de las tapas, fogón exterior y paneles del carrito) están libres de defectos en el material y de fabricación bajo el uso normal residencial durante toda la vida del producto.

La garantía limitada de por vida cubre la integridad estructural de las tapas, insertos de las tapas, el fogón exterior y los paneles del carrito. En caso de ocurrir deterioro estructural hasta el grado que impida el funcionamiento, las piezas se reemplazarán sin cargo al comprador por la instalación. Los costos relacionados con la instalación de piezas de garantía de reemplazo no están cubiertos por esta garantía limitada de por vida y son responsabilidad exclusiva del dueño.

Esta garantía excluye la decoloración, los rayones en la superficie, las manchas debido al clima y a la atmósfera, y la oxidación menor de la superficie, los cuales son condiciones normales que se prevé que ocurran en cualquier producto de uso en el exterior.

GARANTÍA LIMITADA DE DIEZ AÑOS: Saber garantiza los tubos del quemador de acero inoxidable y los tubos de transferencia por estar libres de defectos en los materiales y en la fabricación bajo uso residencial normal durante un periodo de diez (10) años a partir de la fecha de compra original. Las piezas se reemplazarán sin costo.

GARANTÍA LIMITADA DE CINCO AÑOS: Saber garantiza que las parrillas de asar y las parrillas de calentamiento de porcelana con esmalte, las parrillas y bandeja del quemador lateral libres de defectos en sus materiales y de fabricación bajo uso residencial normal durante un periodo de cinco (5) años a partir de la fecha de compra original. Las piezas se reemplazarán sin costo.

GARANTÍA TOTAL DE DOS AÑOS: Saber garantiza que todas las piezas pintadas y cualquier otra pieza que no se mencione específicamente más atrás están libres de defectos en sus materiales y de fabricación bajo uso residencial normal durante un periodo de dos (2) años a partir de la fecha de compra original. Saber reemplazará la pieza que resulte defectuosa o que se descubra que está defectuosa durante el periodo de garantía sin costo para el comprador original.

El dueño será responsable de hacer la instalación adecuada y de proporcionar cuidado y mantenimiento, así como de proporcionar el comprobante de compra cuando se le solicite.

Saber se reserva el derecho, ANTES de enviar piezas de reemplazo de garantía, de requerir que la pieza en cuestión se devuelva para inspección y análisis. Las piezas solicitadas deben devolverse a Saber, con flete pagado por el consumidor.

LIMITACIONES Y EXCLUSIONES DE GARANTÍA

Esta garantía excluye las unidades compradas para usarse en todos los tipos de lugares comerciales o de uso comunitario como restaurantes, hoteles, establecimientos de servicio de comida, complejos de condominio o departamentos, propiedades para renta, y los productos cuyo número de serie haya sido alterado o removido.

Esta garantía aplica **SOLAMENTE** a los productos comprados y que se encuentran en los Estados Unidos continentales y Canadá.

La cobertura de garantía comienza en la fecha de compra original, y se requiere presentar el comprobante de compra para el servicio de garantía. Registre su producto y conserve su comprobante de compra original.

Para activar la garantía, requerimos que envíe la tarjeta de registro de garantía adjunta o que registre su producto en línea.

Esta garantía aplica solamente al dueño original del quemador lateral y no es transferible.

Esta garantía no aplica a daños que resulten por negligencia, alteración, mal uso, abuso, accidente, desastre natural, pérdida de energía eléctrica para el producto por cualquier razón, instalación incorrecta u operación incorrecta, ajustes o calibraciones sin autorización, muescas, abolladuras, rayones o daños debido a productos químicos de limpieza fuertes.

Saber no será responsable por daños incidentales, consecuentes, especiales o contingentes causados por su incumplimiento de esta garantía escrita o de cualquier garantía implícita.

En caso de cualquier reemplazo de garantía, todo el trabajo de remoción, reemplazo e instalación es responsabilidad del dueño del quemador lateral.

Saber se reserva el derecho de reemplazar cualquier producto defectuoso por un producto del mismo valor que el precio de compra original. La reparación o reemplazo de garantía es a entera discreción de Saber.

Los distribuidores no pueden, bajo ninguna circunstancia, ajustar, alterar o ampliar las condiciones y términos de la garantía original.

La garantía de Saber no cubre lo siguiente:

- Costos de mano de obra relacionados con la instalación o configuración, diagnóstico de un problema o reparaciones.
- Mantenimiento y cuidado de rutina normal recomendado.
- Daño debido a accidente, alteración, mal uso, abuso, ambientes hostiles, instalación incorrecta, o instalación que no sea en conformidad con las normas y regulaciones locales, estatales y federales.
- Uso de piezas "universales" no autorizadas.
- Daño o corrosión causada por falta de mantenimiento, negligencia en seguir las instrucciones de cuidado y uso del fabricante, fuego debido a grasa, animales e insectos.
- Cualquier daño causado por el uso comercial o comunitario de este producto.
- Los modelos de exhibición de venta generalmente se venden "COMO ESTÁN". Si usted ha comprado un modelo de exhibición, debe saber que se vendió "COMO ESTÁ" y que está sujeto a las siguientes exclusiones de garantía:
 - Cualquier daño exterior o cosmético no está cubierto por la garantía
 - Cualquier componente faltante será reemplazado con costo exclusivo para el comprador.

EXENCIÓN DE RESPONSABILIDAD DE GARANTÍAS IMPLÍCITAS Y LIMITACIÓN DE RECURSOS

EL ÚNICO Y EXCLUSIVO RECURSO DEL CLIENTE DE ACUERDO CON ESTA GARANTÍA LIMITADA SERÁ LA REPARACIÓN O REEMPLAZO DEL PRODUCTO COMO SE ESTIPULA EN LA PRESENTE. LAS GARANTÍAS IMPLÍCITAS, INCLUYENDO GARANTÍAS DE COMERCIALIZACIÓN PARA UN PROPÓSITO PARTICULAR, SE EXCLUYEN O LIMITAN A UN AÑO O AL PERIODO MÁS CORTO QUE PERMITA LA LEY. SABER NO SERÁ RESPONSABLE DE DAÑOS INCIDENTALES O CONSECUENTES. ALGUNOS ESTADOS O PROVINCIAS NO PERMITEN LA EXCLUSIÓN DE DAÑOS INCIDENTALES O CONSECUENTES, O LIMITACIONES EN LA DURACIÓN DE GARANTÍA IMPLÍCITA DE COMERCIALIZACIÓN O IDONEIDAD, DE MANERA QUE ESAS EXCLUSIONES O LIMITACIONES PODRÍAN NO SER APLICABLES PARA USTED. ESTA GARANTÍA LE CONFIERE DERECHOS LEGALES ESPECÍFICOS, Y USTED PODRÍA TENER TAMBIÉN OTROS DERECHOS QUE PUEDEN VARIAR DE UN ESTADO A OTRO O DE UNA PROVINCIA A OTRA.

Cómo obtener servicio o piezas de reparación de garantía:

Antes de comunicarse con su distribuidor o de llamarnos directamente, asegúrese de que su quemador lateral esté registrado. Puede registrarlo en: <http://www.sabergrills.com/registration>.

Llame a su distribuidor autorizado Saber. En el siguiente enlace puede encontrar una lista de distribuidores y su información de contacto: <http://www.sabergrills.com>.

Utilice nuestro servicio al cliente en línea en <http://www.sabergrills.com/warranty service>.

Llame directamente a Saber al teléfono 1-(888)-94S-ABER (947-2237). Esperamos poder servirle.

También puede escribirnos a:

Saber®
Servicio de garantía
P. O. Box 1977
Columbus, GA. 31902

Tenga preparada la siguiente información para proporcionarla: nombre del comprador, modelo y número de serie del quemador lateral, fecha de compra y descripción precisa del problema.

Fecha de compra:	
Distribuidor donde compró el quemador lateral:	
Teléfono del distribuidor:	
Número de modelo: <i>(se encuentra en la portada del manual de instrucciones o en la etiqueta de especificaciones)</i>	
Número de serie: <i>(se encuentra en la portada del manual de instrucciones o en la etiqueta de especificaciones)</i>	

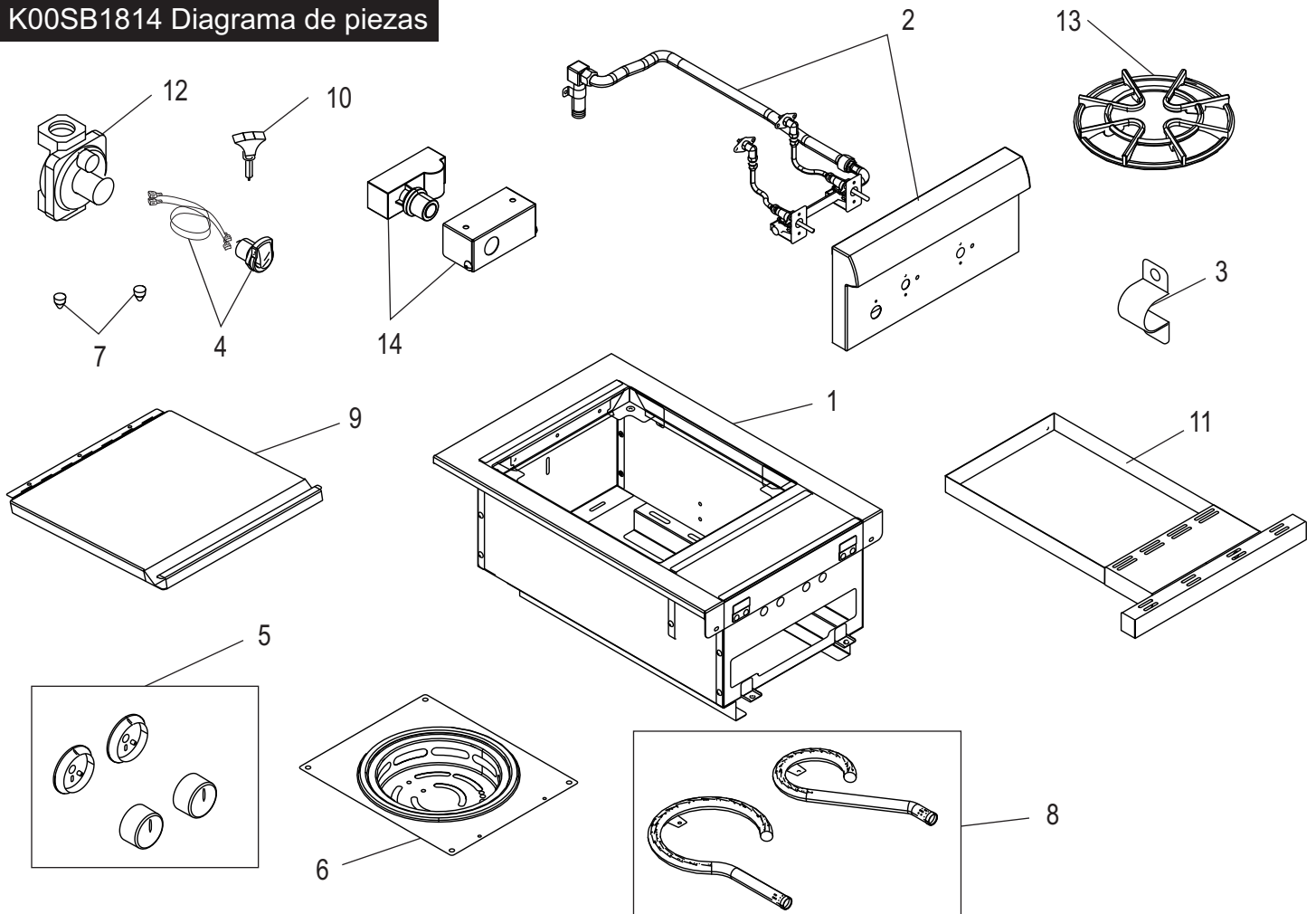
K00SB1814 Lista de piezas

Clave	Cant	Descripción
1	1	Caja del quemador
2	1	KIT, Consola de control c/ensamblaje HVR
3	1	KIT, Ménsula, p/tubo de gas flexible
4	1	KIT, Módulo del interruptor c/cable
5	2	KIT, Perilla c/bisel, GN
6	1	KIT, Bandeja del quemador lateral
7	2	Protectores de tapa
8	1	KIT, Protectores p/quemador lateral, doble, Saber BI SB
9	1	KIT, Tapa del quemador lateral
10	1	KIT, Electrodo p/quemador lateral doble
11	1	Ensamblaje de la bandeja de grasa
12	1	Regulador de GN de la unidad
13	1	Rejilla del quemador lateral de hierro fundido
14	1	KIT, Encendido electrónico, Una chispa, c/protector de calor

NO está en la figura

...	1	Paquete de orificio, Gas de LP
...	1	Guía de cuidados y uso en inglés, francés y español

K00SB1814 Diagrama de piezas



CASOS DE EMERGENCIA: Si no se puede detener una fuga de gas, o si ocurre un incendio debido a una fuga de gas, llame a los bomberos.

Emergencias	Causas probables	Medidas de prevención / solución
Fugas de gas de mangueras agrietadas, cortadas o quemadas.	<ul style="list-style-type: none"> Manguera dañada o de la línea de gas. 	<ul style="list-style-type: none"> Cierre el gas en el cilindro o en la fuente de los sistemas de gas natural. Si se producen quemaduras o daños, reemplace la tubería de gas, la manguera o el regulador. Deje de usar el producto hasta que el gasista haya investigado la causa de la falla y realice los arreglos necesarios.
Fuga de gas del cilindro.	<ul style="list-style-type: none"> Falla mecánica debido a la oxidación o al mal uso. 	<ul style="list-style-type: none"> Cambie el cilindro de gas.
Fuga de gas de la válvula del cilindro.	<ul style="list-style-type: none"> Falla de la válvula del cilindro debida al mal uso o a falla mecánica. 	<ul style="list-style-type: none"> Cierre la válvula del cilindro de gas. Devuelva el cilindro al proveedor de gas.
Fuga de gas entre el cilindro y la conexión del regulador.	<ul style="list-style-type: none"> Instalación inadecuada, la conexión no está bien apretada, falla de la junta de caucho. 	<ul style="list-style-type: none"> Cierre la válvula del cilindro de gas. Retire el regulador del tanque y examine visualmente la junta de caucho para detectar cualquier daño. Lea las secciones tituladas <i>Prueba para detectar fugas en un cilindro de gas</i> y <i>Cómo conectar el regulador al cilindro de gas</i>.
Sale fuego por el tablero de control.	<ul style="list-style-type: none"> Fuego en la sección del tubo del quemador debido a un bloqueo. 	<ul style="list-style-type: none"> Cierre las perillas de control y la válvula del cilindro de gas. Deje abierta la tapa para permitir que las llamas se extingan. Una vez que se haya extinguido el fuego y la parrilla esté fría, retire el quemador y examínelo para ver si tiene nidos de arañas o herrumbre. Lea las páginas relativas a <i>Los peligros Naturales y la limpieza de la unidad del quemador</i>.
Hay continuamente fuego producido por la grasa o demasiadas llamas sobre la superficie de cocinar.	<ul style="list-style-type: none"> Demasiada grasa acumulada en la zona del quemador de pan. 	<ul style="list-style-type: none"> Cierre las perillas de control y la válvula del cilindro de gas. Deje abierta la tapa para permitir que las llamas se extingan. Una vez que se haya enfriado, limpie las partículas de comida y la acumulación de grasa en la parte interior de la zona de la cámara de combustión, la bandeja para la grasa y toda otra superficie.
o el suministro de GN esté abierto	<ul style="list-style-type: none"> El regulador no está sellado en la tubería de entrada de gas del quemador lateral. 	<ul style="list-style-type: none"> CIERRE el suministro del gas. Desconecte las tuberías de entrada de gas del regulador. Retire el regulador del quemador lateral y vuelva a sellarlo a la tubería de entrada de gas. Vuelva a conectar las tuberías de gas al regulador.

Resolución de problemas

Problema	Causas probables	Medidas de prevención / solución
<p>El quemador o los quemadores no se enciende(n) al usar el encendedor. (Lea además la sección <i>Resolución de problemas del encendido electrónico</i>)</p> <p><i>Continúa en la página siguiente.</i></p>	<p>PROBLEMAS DE GAS:</p> <ul style="list-style-type: none"> Está tratando de encender el quemador equivocado. El quemador no está conectado a la válvula de control. Obstrucción en el quemador. No hay flujo de gas. Hay vapor atrapado en la tuerca de unión al tanque de gas. La tuerca de unión y la válvula del tanque de gas no están bien conectadas. <p>PROBLEMAS DE ELECTRICIDAD:</p> <ul style="list-style-type: none"> Electrodo agrietado o roto; salen "chispas de la grieta". La punta del electrodo no está en la posición correcta. El cable o el electrodo está cubierto con restos de comida. Los cables están flojos o desconectados. Los cables producen cortocircuitos (chispas) entre el encendedor y el electrodo. Pila gastada. 	<ul style="list-style-type: none"> Lea las instrucciones en el tablero de control y en la sección titulada <i>Uso y mantenimiento</i>. Verifique que las soportes del orificio estén ubicadas dentro de los tubos de los quemadores. Verifique que el tubo de los quemadores no esté obstruido con telarañas u Otras materias. Lea la parte referente a la limpieza en la sección <i>Uso y mantenimiento</i>. Verifique que el tanque no esté vacío o el suministro de GN esté abierto. Si el tanque de gas no está vacío, lea la sección referente a la <i>Caída repentina del flujo de gas</i>. Cierre las perillas y desconecte la tuerca de unión del tanque. Vuelva a conectarla y trate de nuevo. Gire la tuerca de unión entre media vuelta y tres cuartos de vuelta adicionales, hasta que no la pueda girar más. Apriétela a mano únicamente, no use herramientas. Cambie el (los) electrodo(s). <p>Quemadores principales:</p> <ul style="list-style-type: none"> La punta del electrodo debe estar orientada hacia el orificio de combustión del puerto del quemador. La distancia debe ser de 1/8" a 1/4". Ajustela si es necesario. <p>Quemador lateral:</p> <ul style="list-style-type: none"> La punta del electrodo debe estar orientada hacia el orificio de combustión del puerto del quemador. La distancia debe ser de 1/8" a 3/16". Ajustela si es necesario. <ul style="list-style-type: none"> Limpie el cable y el electrodo con alcohol de frotar y un hisopo limpio. Vuelva a conectar los cables o cambie la unidad de electrodo/cable. Cambie la unidad del cable del encendedor / el electrodo. Cámbiela por una pila alcalina nueva, de tamaño.

Resolución de problemas (continuación)

Problema	Causas probables	Medidas de prevención / solución
El quemador o los quemadores no se enciende(n) al usar el encendedor. (Lea además la sección <i>Resolución de problemas del encendido electrónico</i>)	ENCENDIDO ELECTRÓNICO: <ul style="list-style-type: none"> No hay chispa, no hay sonido de encendido. No hay chispa, hay un sonido leve de encendido. Hay chispas, pero no en el electrodo o a plena potencia. 	<ul style="list-style-type: none"> Lea la sección I de <i>Sistema de encendido electrónico</i>. Lea la sección II de <i>Sistema de encendido electrónico</i>. Lea la sección III de <i>Sistema de encendido electrónico</i>.
El quemador o los quemadores no se encienden con fósforos.	<ul style="list-style-type: none"> Lea "PROBLEMAS DE GAS:" en la página anterior. El fósforo no llega al punto de encendido. Método inadecuado de encendido con fósforos. 	<ul style="list-style-type: none"> Use un fósforo de palito largo (fósforo para encender chimeneas). Lea la parte titulada <i>Encendido con fósforos</i> de la sección <i>Uso y mantenimiento</i>. Verifique que el tanque de gas esté cargado.
Caída repentina del flujo de gas o llama reducida.	<ul style="list-style-type: none"> Se acabó el de gas propano Se activó la válvula por sobrecarga de gas propano Hay vapor atrapado en la conexión de la tuerca de unión y el tanque de gas. Obstrucción de la tubería de GN Cierre del regulador de GN 	<ul style="list-style-type: none"> Cierre las perillas, espere 30 segundos y encienda la parrilla. Si las llamas siguen siendo bajas, cierre la perilla y la válvula del tanque de gas. Desconecte el regulador. Vuelva a conectar el regulador y haga una prueba para detectar fugas. Abra la válvula del tanque de gas, espere 30 segundos y, luego, encienda la parrilla. Cierre las perillas de control y la válvula del cilindro de gas. Desconecte la tuerca de unión del tanque. Vuelva a conectarla y trate de nuevo. Verifique el suministro del GN Un gasista debe verificar la presión del suministro de GN
Llamas que se apagan.	<ul style="list-style-type: none"> Vientos fuertes o en ráfagas. Bajo flujo de gas propano. Se activó la válvula por sobrecarga de gas. 	<ul style="list-style-type: none"> Gire el frente de la parrilla de modo que quede de cara al viento, o aumente la graduación de las llamas. Recargue el tanque de gas. Lea lo referente a la <i>Caída repentina del flujo de gas</i> en la sección anterior.
Fogonazos.	<ul style="list-style-type: none"> Acumulación de grasa. Carne sumamente grasosa. Temperatura de cocción demasiado elevada. GN bajo 	<ul style="list-style-type: none"> Limpie los quemadores y el interior de la parrilla / cámara de combustión. Desgrase la carne antes de cocinarla a la parrilla. Ajuste (baje) la temperatura según corresponda. Verifique el suministro del GN
Fuegos persistentes, producidos por la grasa.	<ul style="list-style-type: none"> Grasa atrapada por acumulación de restos de comida alrededor del sistema del quemador. 	<ul style="list-style-type: none"> Cierre las perillas. Cierre el paso de gas desde el tanque. Deje la tapa en su posición abierta y deje que se apague el fuego. Después de que se enfríe la parrilla, retire y limpie todas las piezas.
Retorno de las llamas... (fuego en los tubos del quemador).	<ul style="list-style-type: none"> El quemador o los tubos del quemador están obstruidos. 	<ul style="list-style-type: none"> Cierre las perillas. Limpie el quemador o los tubos del quemador. Lea la sección de limpieza del quemador de <i>Uso y mantenimiento</i>.
No se puede recargar el tanque de gas propano.	<ul style="list-style-type: none"> Algunos vendedores de gas usan boquillas de llenado viejas, con las roscas gastadas. 	<ul style="list-style-type: none"> Las boquillas desgastadas no tienen suficiente "agarre" para conectarse a la válvula. Comuníquese con otro vendedor de gas.
Un quemador no se enciende de otro(s) quemador(es).	<ul style="list-style-type: none"> Algunos vendedores de gas usan boquillas de llenado viejas, con las roscas gastadas. 	<ul style="list-style-type: none"> Las boquillas desgastadas no tienen suficiente "agarre" para conectarse a la válvula. Comuníquese con otro vendedor de gas.

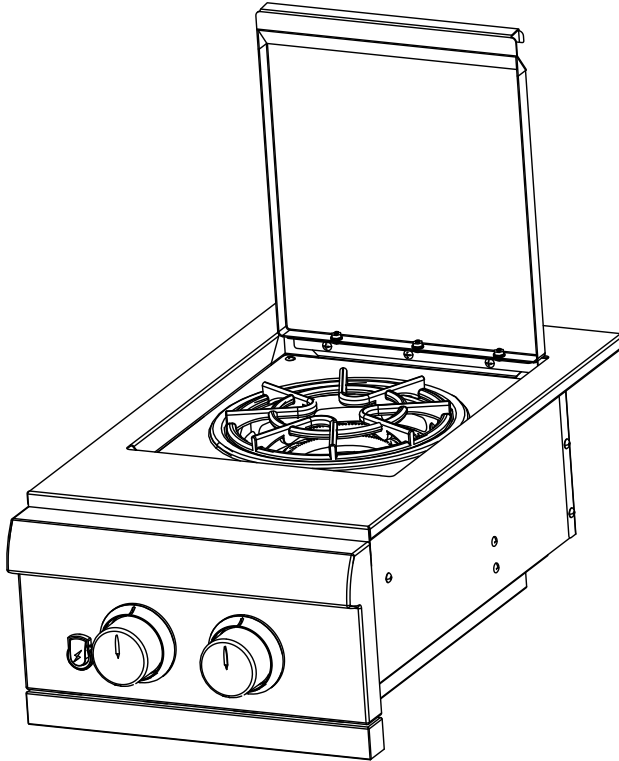
Resolución de problemas - Encendido electrónico

Problema (encendido)	Causas probables	Procedimiento de revisión	Medidas de prevención / solución
<p>SECCIÓN I</p> <p>No aparecen en cualquier chispas cuando los electrodos de encendido electrónico Buttonis presionado, no se puede escuchar el ruido de chispas módulo.</p>	<ul style="list-style-type: none"> • La pila no está instalada adecuadamente. • Pila gastada. • Módulo de chispas defectuoso. 	<ul style="list-style-type: none"> • Revise la orientación de la pila. • ¿Es una pila usada? • Si no se generan chispas con la pila nueva y las conexiones del cable están bien hechas, el módulo está defectuoso. 	<ul style="list-style-type: none"> • Instale la pila (verifique que los conectores "+" y "-" estén orientados correctamente, con el extremo "+" hacia arriba y el extremo "-" hacia abajo). • Cámbiela por una pila alcalina nueva. • Cambie la unidad del módulo de chispas.
<p>SECCIÓN II</p> <p>No aparecen en cualquier chispas cuando los electrodos de encendido electrónico Buttonis presionado; se puede escuchar el ruido de chispas módulo.</p>	<ul style="list-style-type: none"> • Las conexiones del cable de salida no están bien hechas. 	<ul style="list-style-type: none"> • ¿Están conectadas y bien hechas las conexiones de salida? 	<ul style="list-style-type: none"> • Retire y vuelva a hacer todas las conexiones de salida en el módulo y en los electrodos.
<p>SECCIÓN III</p> <p>Hay chispas pero no en todos los electrodos y/o no a plena potencia</p>	<ul style="list-style-type: none"> • Las conexiones del cable de salida no están bien hechas. • El arco de la parrilla se forma lejos del (de los) quemador(es). • Pila débil. • Los electrodos están húmedos. • Los electrodos están agrietados o rotos, con "chispas en las grietas". • Interruptores de la perilla de encendido defectuosos. 	<ul style="list-style-type: none"> • ¿Están conectadas y bien hechas las conexiones de salida? • Si es posible, observe la parrilla en un lugar oscuro. Haga funcionar el sistema de encendido y trate de detectar la formación del arco entre los cables de salida y el marco de la parrilla. • Se forman todas las chispas, pero son débiles o lentas. • ¿Se ha acumulado humedad en el electrodo y/o en los orificios de combustión? • Examine los electrodos para detectar grietas. • Si todos los demás procedimientos para resolver problemas, enumerados arriba no, solucionan el problema, es posible que el interruptor de encendido de la perilla esté defectuoso. 	<ul style="list-style-type: none"> • Retire y vuelva a hacer todas las conexiones de salida en el módulo y en los electrodos. • Si se observan chispas que no sean del (de los) quemador(es), es posible que esté dañado el aislamiento de los cables. Cambie los cables. • Cambie la pila por una pila alcalina nueva. • Use una toalla de papel para secar la humedad. • Cambie los electrodos agrietados o rotos. • Cambie la unidad de interruptor de encendido/válvula.

SABER®

ASSEMBLAGE DU brûleur latéral ET GUIDE DU PRODUIT

IMPORTANT : Remplir le dossier d'information sur le produit ci-dessous.



MODÈLE K00SB1814

Placer l'étiquette du
numéro de série ici.

Numéro de série

Date d'achat

Si vous avez des questions ou un besoin d'assistance pour l'assemblage, veuillez communiquer au 1-888-94-SABER
1-888-947-2237

Pour le soutien technique et l'enregistrement de votre gril, veuillez visiter notre site Web
www.sabergrills.com



POUR LA CONVERSION AU GAZ PL :

- La trousse de conversion pour le modèle A00AA0912 doit être utilisée. Vendue séparément.
- La construction d'une enceinte de ventilation supplémentaire s'avère nécessaire.
- Un support de fixation de la bouteille doit être ajouté au boîtier.
- Un accès facile à la bouteille de gaz PL doit être prévu dans la construction du boîtier.
- Voir les consignes fournies avec la trousse de conversion pour le modèle A00AA0912 quant aux exigences relatives à la construction d'un circuit de gaz PL déporté.


TABLE DES MATIÈRES



Pour votre sécurité	2-3
Utilisation et entretien	4-6
Déballage	7
Installation	8-12
Garantie	13-15
K00SB1814 Liste des pièces	16
K00SB1814 Schéma des pièces	16
Dépannage	17-19



Symboles de sécurité

Les symboles et les cases ci-dessous expliquent la signification de chaque en-tête. Lire et respecter tous les messages contenus dans le présent manuel.

	AVERTISSEMENT	
<p>AVERTISSEMENT : indique une situation potentiellement dangereuse qui, si elle n'est pas évitée, pourrait provoquer la mort ou des blessures graves.</p>		

	MISE EN GARDE	
<p>MISE EN GARDE : indique une situation potentiellement dangereuse qui, si elle n'est pas évitée, pourrait provoquer des blessures mineures ou modérées.</p>		

	DANGER	
<p>DANGER : indique une situation extrêmement dangereuse qui, si elle n'est pas évitée, pourrait provoquer la mort ou des blessures graves.</p>		

	DANGER	
<p>S'il y a une odeur de gaz :</p> <ol style="list-style-type: none">1. Coupez l'admission de gaz de l'appareil;2. Éteindre toute flamme nue;3. Ouvrir le couvercle;4. Si l'odeur persiste, éloignez-vous de l'appareil et appelez immédiatement le fournisseur de gaz ou le service d'incendie.		

	AVERTISSEMENT	
<ol style="list-style-type: none">1. Ne pas entreposer ni utiliser de l'essence ni d'autres vapeurs ou liquides inflammables dans le voisinage de l'appareil, ni de tout autre appareil.2. Une bouteille de propane qui n'est pas raccordée en vue de son utilisation, ne doit pas être entreposée dans le voisinage de cet appareil ou de tout autre appareil.		

	MISE EN GARDE	
<p>Pour usage résidentiel seulement. Ne pas utiliser pour la cuisson commerciale.</p>		

Ce brûleur latéral EST POUR USAGE EXTÉRIEUR SEUL

	MISE EN GARDE :
<p>Lire et suivre toutes les consignes de sécurité, les consignes d'utilisation et d'entretien avant l'assemblage et la cuisson.</p>	

INSTALLER/ASSEMBLER:

Laisser le présent manuel chez le consommateur.

CONSOMMATEUR :

Conserver le présent manuel à titre de consultation.

	AVERTISSEMENT :
---	------------------------

Le non-respect des consignes du fabricant pourrait provoquer des blessures graves et/ou des dommages matériels.

	MISE EN GARDE :
---	------------------------

Certaines pièces pourront présenter des arêtes vives, tel qu'il est indiqué dans le manuel! Porter des gants de protection, s'il y a lieu.



AVERTISSEMENT



PROPOSITION 65 DE LA CALIFORNIE

1. L'État de Californie reconnaît que ce produit contient un produit chimique pouvant causer le cancer, des anomalies congénitales ou d'autres effets nuisibles à la reproduction.
2. L'État de Californie reconnaît que ce produit contient des produits chimiques, y compris du plomb et ses composés pouvant causer le cancer, des anomalies congénitales ou d'autres effets nuisibles à la reproduction.

Lavez-vous les mains après avoir manipulé le présent produit.

Consignes de sécurité pour l'installation

Utiliser le brûleur latéral, tel qu'il a été acheté, seulement avec du gaz naturel et l'ensemble détendeur/robinet prévu. Une trousse de conversion doit être achetée pour être utilisée avec le gaz PL (propane).

L'installation du brûleur latéral doit être conforme aux codes locaux ou, en leur absence, au Code national des gaz combustibles, ANSI Z223.1/NFPA 54, au Code d'installation du gaz naturel et du propane, CSA B149.1 ou au Code sur le stockage et la manipulation du propane, B149.2.

Le présent brûleur latéral est conforme aux normes de sécurité pour les États-Unis et/ou le Canada seulement. Ne pas modifier pour l'utilisation dans tout autre endroit. Toute modification entraînera des risques pour la sécurité.

Le détendeur et le flexible prévus doivent être utilisés et les pièces de rechange doivent être celles spécifiées par le fabricant de l'appareil.



AVERTISSEMENT



Ne pas tenter de réparer ou de modifier le détendeur de gaz naturel pour tout défaut « présumé ». Toute modification au présent ensemble annulera votre garantie et créera des risques de fuite de gaz et d'incendie. Utiliser seulement des pièces de rechange autorisées, fournies par le fabricant.

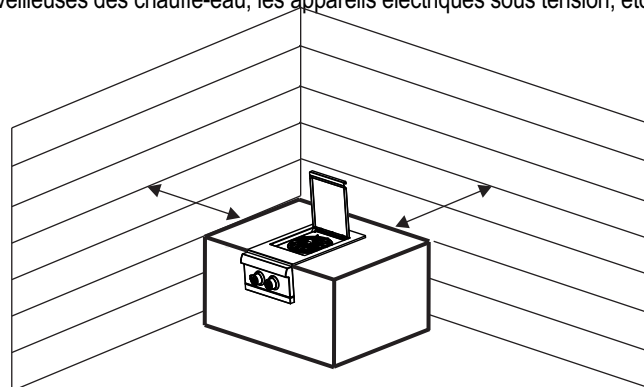


AVERTISSEMENT



Pour utiliser le brûleur latéral de façon sûre et éviter des blessures graves :

- Ne pas laisser les enfants utiliser ou jouer à proximité de brûleur latéral;
- Tenir la zone du brûleur latéral dégagée et exempte de matières inflammables;
- Ne pas obstruer les trous d'aération sur les côtés ou à l'arrière du brûleur latéral;
- Vérifier régulièrement les flammes des brûleurs;
- Utiliser le brûleur latéral seulement dans un espace bien ventilé; NE JAMAIS utiliser dans un espace clos comme un abri à voitures, un garage, un porche, une terrasse couverte ou sous un ouvrage aérien de quelque nature que ce soit;
- Ne pas utiliser de charbon de bois ou de brique en céramique dans un brûleur latéral au gaz;
- **Utiliser le brûleur latéral à au moins 1 m (3 pi) de tout mur ou de toute surface;** maintenir 3 m (10 pi) de dégagement des objets qui peuvent prendre feu ou des sources d'inflammation, telles que les veilleuses des chauffe-eau, les appareils électriques sous tension, etc.



Conseils de sécurité

- Lorsque le brûleur latéral n'est pas utilisé, fermer tous les boutons de commande et le robinet de gaz.
- Utiliser des ustensiles à manche long et des gants de cuisine pour éviter les brûlures et les éclaboussures.
- Le plateau de récupération des graisses doit être inséré dans le brûleur latéral pendant l'utilisation et vidé après chaque utilisation. Ne pas retirer le plateau de récupération des graisses jusqu'à ce que le brûleur latéral ait complètement refroidi.
- Nettoyer souvent le brûleur latéral, de préférence après chaque repas en plein air.
- Si vous remarquez de la graisse ou autre matière chaude dégouttant du brûleur latéral sur le robinet, le flexible ou le détendeur, fermez immédiatement l'alimentation en gaz. Déterminer la cause, corriger la situation, puis nettoyer et inspecter le robinet, la conduite de gaz et le détendeur avant de continuer. Effectuer un essai de fuite.
- Le détendeur de gaz naturel pourra bourdonner ou siffler au moment du fonctionnement. Ceci n'affectera pas la sécurité ou l'utilisation du brûleur latéral.
- Si vous avez un souci avec le brûleur latéral, voir la section « Dépannage ».

UTILISATION ET ENTRETIEN



DANGER



Ne pas insérer quelque outil ou objet étranger dans la sortie du robinet. Vous pourrez endommager le robinet et provoquer une fuite. Les fuites de gaz pourront provoquer une explosion, un incendie, des blessures graves ou la mort.



AVERTISSEMENT



- L'appareil au gaz extérieur n'est pas destiné à être installé à bord d'un bateau.
- L'appareil au gaz extérieur n'est pas destiné à être installé à bord d'un VR.
- Ne jamais tenter de raccorder le présent brûleur latéral au circuit de gaz autonome d'une caravane ou d'une maison mobile.
- Ne pas utiliser le brûleur latéral jusqu'à ce qu'il ait subi des essais de fuite.
- À tout moment, si une fuite est détectée, ARRÊTER TOUT et appeler le service des incendies.
- Si vous ne pouvez pas arrêter la fuite de gaz, fermer immédiatement le robinet de gaz, puis communiquez avec votre fournisseur de gaz ou votre service des incendies!




MISE EN GARDE



- **L'extinction des feux de graisse en refermant le couvercle n'est pas possible. Les brûleur latéraux sont bien ventilés pour des raisons de sûreté.**
- **Ne pas utiliser d'eau sur un feu de graisse. Des blessures pourront en résulter. Si un feu de graisse se déclenche, fermer les boutons et le robinet de gaz.**
- **Ne pas laisser le brûleur latéral sans surveillance pendant le réchauffage ou le brûlage des résidus alimentaires à feu vif. Si le brûleur latéral n'est pas nettoyé régulièrement, un feu de graisse peut se déclencher qui pourra endommager le produit.**

Allumage du brûleur principal

- Ne pas se pencher sur le brûleur latéral au moment de l'allumage
1. Fermer tous les boutons de commande.
 2. Ouvrir la source de gaz.
 3. Ouvrir le couvercle au moment de l'allumage.
 4. Pour l'allumage, tourner  le bouton de commande du brûleur à la position
 5. Appuyez et maintenez enfoncé le bouton ALLUMAGE ÉLECTRONIQUE jusqu'à ce que le brûleur s'allume.
 6. Si l'appareil ne s'allume pas en 5 secondes, fermez le robinet du brûleur, attendez 5 minutes, et procédez de nouveau à l'allumage.
 7. Allumer les autres brûleurs en reprenant les étapes 4 à 6 pour chaque brûleur.



MISE EN GARDE



Si l'appareil ne s'allume pas en 5 secondes, fermez le robinet du brûleur, attendez 5 minutes, et procédez de nouveau à l'allumage. Si le brûleur ne s'allume pas à l'ouverture du robinet, le gaz continuera à sortir du brûleur et pourrait s'enflammer accidentellement, provoquant un risque de blessure.





AVERTISSEMENT

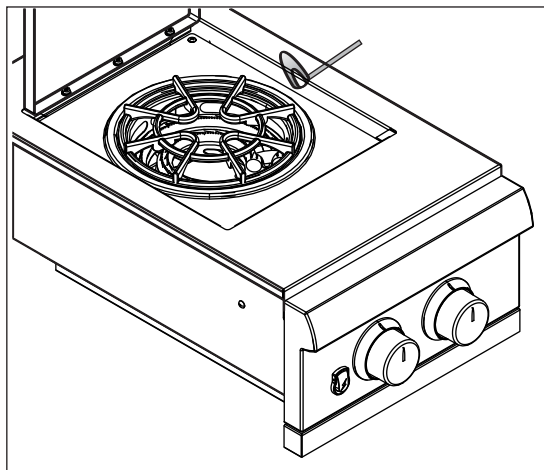


Fermer les commandes et la source de gaz lorsque le brûleur latéral n'est pas utilisé.

Allumage du brûleur principal avec une allumette

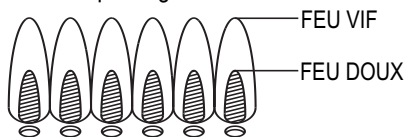
Ne pas se pencher sur le brûleur latéral au moment de l'allumage

1. Fermer tous les boutons de commande.
2. Ouvrir la source de gaz.
3. Ouvrir le couvercle au moment de l'allumage.
4. Enflammer une allumette et l'approcher près du brûleur.
5. Enfoncer, puis tourner le bouton de commande correspondant à la position . S'assurer que le brûleur s'allume et demeure allumé.
6. Allumer les autres brûleurs en enfonçant le bouton de commande et en le tournant à la position .



Vérifier la flamme du brûleur

Retirer les grilles de cuisson et les injecteurs. Allumer les brûleurs, tourner les boutons de commande de FEU VIF à FEU DOUX. Vous devriez voir une plus petite flamme à la position FEU DOUX qu'à la position FEU VIF. Toujours vérifier la flamme avant chaque utilisation. Si seulement une petite flamme est obtenue, voir « Chute soudaine ou petite flamme » à la section Dépannage.



- **Fermer le brûleur latéral**
Tourner tous les boutons de commande à la position **OFF** (arrêt). Tourner la source de gaz à la position **OFF** (arrêt).
- **Vérifier l'allumeur**
Appuyez et maintenez enfoncé le bouton d'allumage électronique. "Cliquez sur" devrait être entendu et voir des étincelles chaque fois entre le boîtier collecteur ou le brûleur et l'électrode. Voir "Dépannage" si aucun clic ou d'une étincelle.
- **Vérifier le robinet**
Important : S'assurer que le gaz est coupé à la source avant de vérifier les robinets. Boutons de commande verrouillés à la position **OFF** (arrêt). Pour vérifier les robinets, enfoncer d'abord les boutons de commande, puis relâcher, les boutons de commande devraient revenir à leur position initiale. Si les boutons de commande ne reviennent pas à leur position initiale, remplacer l'ensemble robinet avant d'utiliser le brûleur latéral. Tourner les boutons de commande à la position FEU DOUX, puis les retourner à la position **OFF** (arrêt). Les robinets devraient tourner librement.
- **Vérifier le flexible**
Avant chaque utilisation, vérifier que le flexible en acier inoxydable n'est pas coupé ou usé. Remplacer les flexibles endommagés avant d'utiliser le brûleur latéral. Utiliser seulement un flexible pour gaz naturel et un détendeur spécifié par le fabricant.

Nettoyage général du brûleur latéral

Ne pas confondre l'accumulation brune ou noire de graisse et la fumée avec la peinture. Appliquer une forte solution de détergent et d'eau ou utiliser un nettoyant pour grill avec une brosse sur les intérieurs du couvercle du brûleur latéral et la sole. Rincer et laisser sécher à l'air complètement.

Ne pas appliquer un nettoyant caustique pour brûleur latéral/four sur les surfaces peintes.

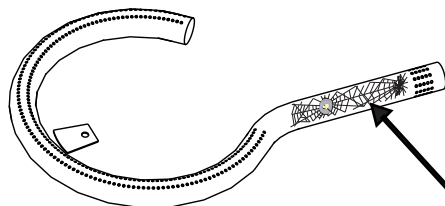
- **Pièces en plastique** : Laver avec de l'eau chaude savonneuse, puis assécher. Ne pas utiliser de Citrisol, de nettoyants abrasifs, de dégraissants ou de nettoyants concentrés pour grill sur les pièces en plastique. Ceci peut les endommager et causer leur défaillance.
- **Surfaces en porcelaine** : En raison de leur composition vitreuse, la plupart des résidus peuvent être essuyés avec du bicarbonate de soude/une solution d'eau ou un produit spécialement formulé. Utiliser de la poudre à récurer non abrasive pour les taches tenaces.
- **Surfaces peintes** : Laver avec un détergent doux ou non abrasif et de l'eau chaude savonneuse. Assécher avec un chiffon doux non abrasif.

Nettoyage général du brûleur latéral (suite).

Surfaces en acier inoxydable : Afin de maintenir la belle apparence du brûleur latéral, laver avec un détergent doux et de l'eau chaude savonneuse, puis assécher avec un chiffon doux après chaque utilisation. Les dépôts de graisse cuits pourront nécessiter l'utilisation d'un tampon de nettoyage en plastique abrasif. Utiliser seulement selon l'orientation du fini brossé pour éviter d'endommager. Ne pas utiliser de tampons abrasifs aux endroits comportant des graphiques.

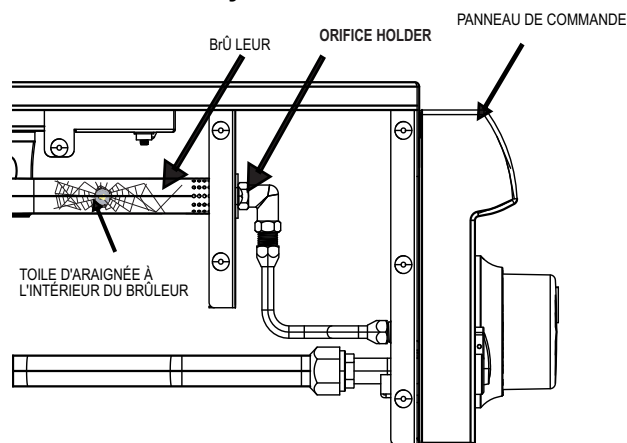


ALERTE AUX ARAIGNÉES!



ARAIGNÉE ET TOILE D'ARAIGNÉE À L'INTÉRIEUR DU TUBE DU BRÛLEUR

Si vous remarquez que votre brûleur latéral devient difficile à allumer ou que la flamme n'est pas aussi forte qu'elle devrait l'être, prendre le temps de vérifier et de nettoyer les brûleurs.

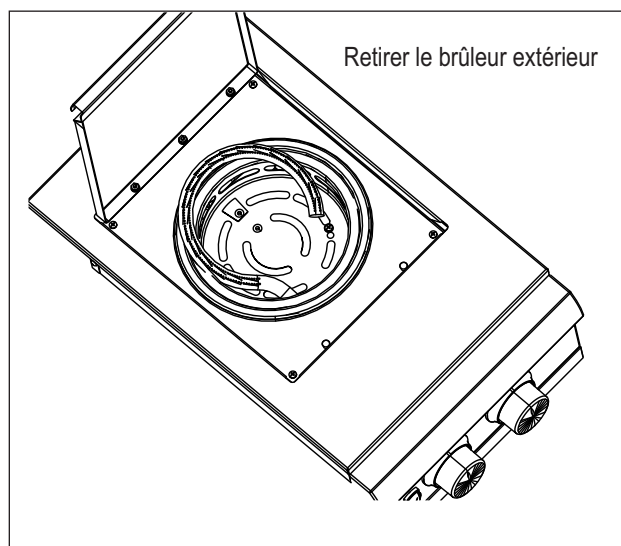
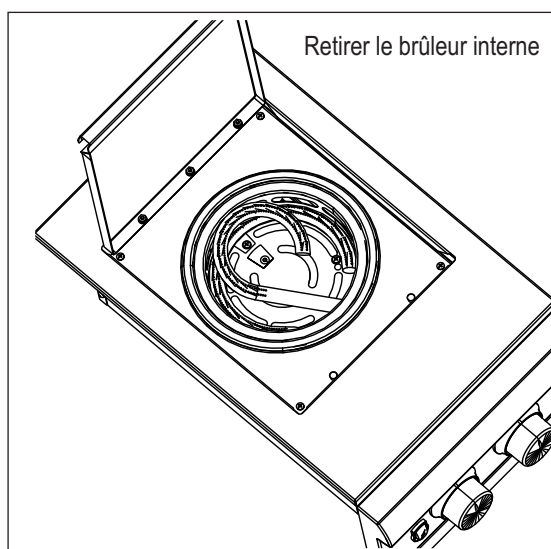
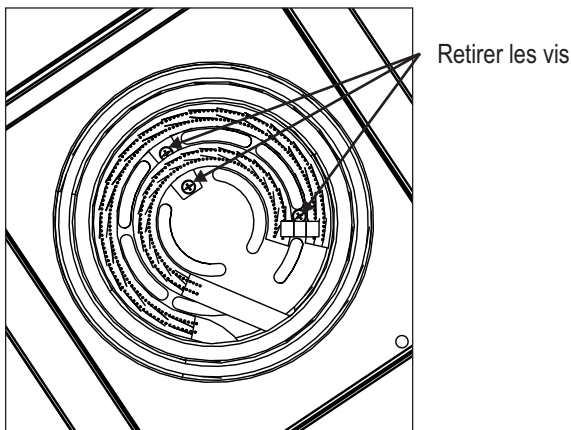


Dans certaines régions du pays, les araignées ou les petits insectes sont connus pour créer des soucis de « retour de flamme ». Les araignées tissent des toiles, construisent des nids et pondent leurs œufs dans le(s) tube(s) des brûleurs du brûleur latéral, obstruant ainsi l'alimentation en gaz vers le brûleur. Le retour de gaz peut s'enflammer dans le brûleur, derrière le panneau de commande. Ceci est connu sous le nom de retour de flamme et peut endommager le brûleur latéral et même provoquer des blessures. Pour éviter les retours de flamme et s'assurer d'une bonne performance, le brûleur doit être retiré du brûleur latéral et nettoyé avant chaque utilisation après une période prolongée de non-utilisation.

Nettoyage de l'ensemble brûleur

Suivre ces consignes pour nettoyer et/ou remplacer les pièces de l'ensemble brûleur ou si vous avez des difficultés à allumer le brûleur latéral.

1. **Fermer les boutons de commande du gaz et la source de gaz.**
2. Retirer la grille de cuisson.
3. Dévisser les vis retenant en place l'allumeur et les brûleurs
4. Retirer l'électrode du dispositif d'allumage mais la laisser raccordée au fil d'allumage.
5. Retirer délicatement le brûleur interne.
6. Retirer délicatement le brûleur extérieur..



7. Nous suggérons trois moyens pour nettoyer les tubes de brûleur. Utiliser la façon qui vous paraît la plus facile.

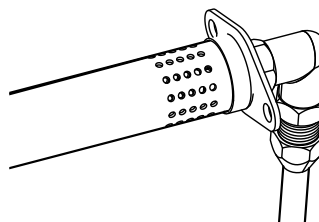
(A) Plier un fil rigide (un cintre léger fonctionne bien) en un petit crochet. « Faire passer le crochet dans chaque tube de brûleur à plusieurs reprises.



(B) Utiliser une brosse à bouteille étroite avec un manche flexible (ne pas utiliser de brosse en laiton), faire passer la brosse dans chaque tube de brûleur à plusieurs reprises.

(C) Porter des lunettes de protection : Utiliser un flexible d'air pour forcer l'air dans le tube du brûleur et les orifices du brûleur. Vérifier chaque orifice pour s'assurer que l'air sort par chaque orifice.

8. Faire passer une brosse métallique sur toute la surface extérieure du brûleur pour éliminer les résidus alimentaires et la saleté.
9. Nettoyer tous les orifices obstrués avec un fil rigide comme un trombone ouvert.
10. Vérifier le brûleur en cas de dommage, dû à l'usure normale et à la corrosion, car certains orifices pourront s'agrandir. S'il y a présence de fissures ou de perforations importantes, remplacer le brûleur.
11. Remettre délicatement en place les brûleurs et fixer solidement à l'aide des vis qui ont été retirées à l'étape 3. **TRÈS IMPORTANT** : Les tubes du brûleur doivent être rentrés de nouveau dans le porte-orifice.



Engagement correct du porte-orifice dans le brûleur

12. Remettre l'électrode du dispositif d'allumage en place et fixer solidement à l'aide de la vis.
13. Vérifier le fonctionnement du dispositif d'allumage.
14. Remettre les grilles de cuisson en place.

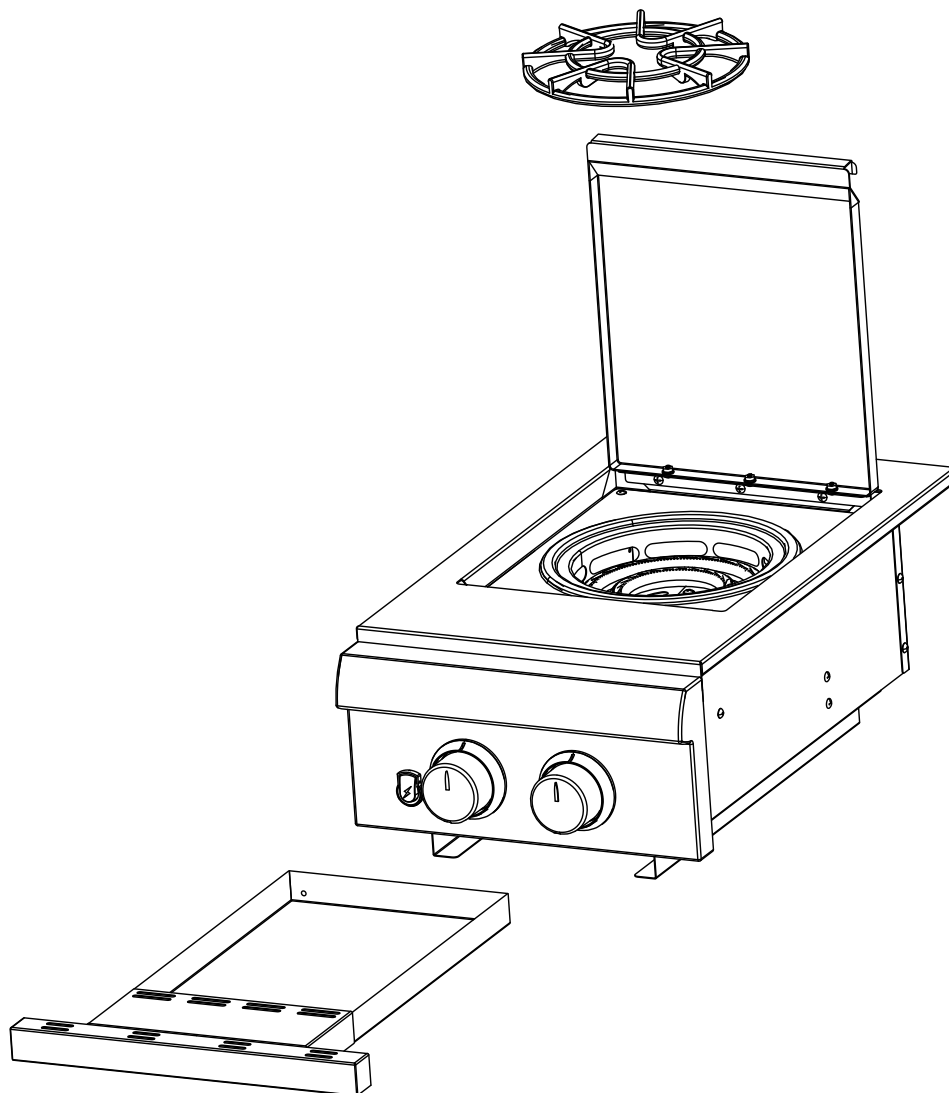
Exigences en matière d'installation

S'assurer d'un bon débit d'air de combustion et de refroidissement

Un débit d'air adéquat doit être maintenu pour le brûleur latéral afin qu'il fonctionne de la façon prévue. Si le débit d'air est bloqué, une surchauffe et une piètre combustion en résulteront.

DÉBALLAGE

1. Mettre un carton sur une surface plane et propre.
2. Ouvrir le haut du carton et enlever le brûleur.
3. Ouvrir le couvercle du brûleur latéral puis enlever la grille de cuisson et retirer le collecteur.





AVERTISSEMENT



POUR LA CONVERSION AU GAZ PL :

La trousse de conversion pour le modèle A00AA0912 doit être utilisée. Les détails spécifiques pour la construction de l'enceinte sont inclus dans les consignes de la trousse de conversion.

La construction d'une enceinte de ventilation supplémentaire s'avère nécessaire.

Un support de fixation de la bouteille doit être ajouté à l'enceinte.

CONSIGNES D'INSTALLATION

Matériel inclus : Appareil de brûleur latéral intégré

Matériel non inclus : Le matériel de construction de l'enceinte, les supports pour l'appareil intégré, les fixations pour les supports.

REMARQUE : L'ENCEINTE DOIT ÊTRE CONSTRUITE EN MATÉRIAU NON COMBUSTIBLE

1. Construction de l'enceinte.

REMARQUE : Si ce brûleur latéral doit être utilisé comme brûleur latéral de remplacement dans une enceinte de brûleur latéral existante, consultez votre entrepreneur local pour déterminer si le brûleur latéral fonctionnera correctement avec l'enceinte existante.

Consultez le tableau ci-après pour les dimensions de découpage du boîtier et les emplacements de fixation disponibles afin de fixer solidement le brûleur latéral au boîtier.

Les dimensions minimales du boîtier sont pour la hauteur 34 po, la largeur 23 po et la profondeur 27 po.

REMARQUE : La zone directement sous le brûleur latéral doit être ouverte. Aucune surface solide.

MODÈLE	Dim. A	Dim. B	Dim. C
K00SB1814	12.60" (32.0 cm)	21.40" (54.4 cm)	9.00" (22.9 cm)

On peut accéder aux emplacements des trous de fixation avant en enlevant le panneau commande qui se trouve directement devant vous. Cette opération s'effectue en enlevant tout d'abord la poignée de commande et les quatre vis de fixation se trouvant à l'arrière de celle-ci. Le collecteur de soupape se détache du panneau de commande. Enlever ensuite les deux vis se trouvant sous le panneau de commande. Tirer sur le panneau de commande dans le bas et le soulever, ce qui permet de voir les emplacements des trous de fixation avant. Fixer de nouveau le panneau de commande, le collecteur de soupape et le bouton de commande.

On peut accéder aux emplacements des trous de fixation arrière par le dessous du brûleur latéral en enlevant le plateau inférieur et en installant les vis de fixation sur le brûleur latéral une fois celui-ci installé.

INSTALLATION (SUITE)

2. Module d'allumage électronique.

REMARQUE : Un électricien agréé doit faire l'installation du module d'allumage et toute extension ou modification au câblage.

Ce brûleur latéral vient avec suffisamment de fil pour fixer le module d'allumage à l'emplacement indiqué à la Figure 1. Le module d'allumage peut être fixé dans un emplacement différent en rallongeant les fils de l'interrupteur et les fils de l'allumeur. Les extensions de fil ne sont pas prévues et doivent être faites d'un matériau de puissance nominale équivalente à celui utilisé pour l'interrupteur et l'allumeur prévus avec ce brûleur latéral (voir la puissance nominale imprimée sur chaque fil). Pour la rallonge de fil, s'assurer de conserver les connexions prévues en usine pour raccorder les fils aux autres composants du brûleur latéral. Le module d'allumage doit être monté de manière à ce que vous ayez un accès facile au compartiment de la pile au moment de son remplacement. Voir la Figure 2. Raccorder les fils aux petits et grands connecteurs à l'arrière du module d'allumage. Voir la Figure 3.

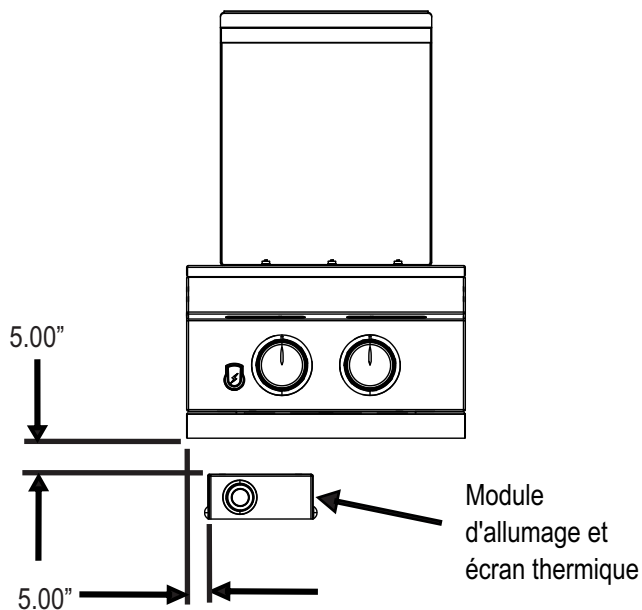
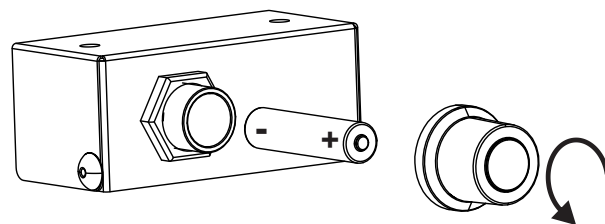


Figure 1



Tourner le bouchon dans le sens antihoraire pour ouvrir le compartiment de la pile.

Figure 2

1. Séparer le module EI de l'écran thermique
2. Monter l'écran thermique à l'aide des trous des 2 vis fournies.
3. Assembler le module EI à l'écran thermique à l'aide de l'écrou.
4. Installer la pile et le capuchon.
5. Fixer le filage comme indiqué sur le schéma.

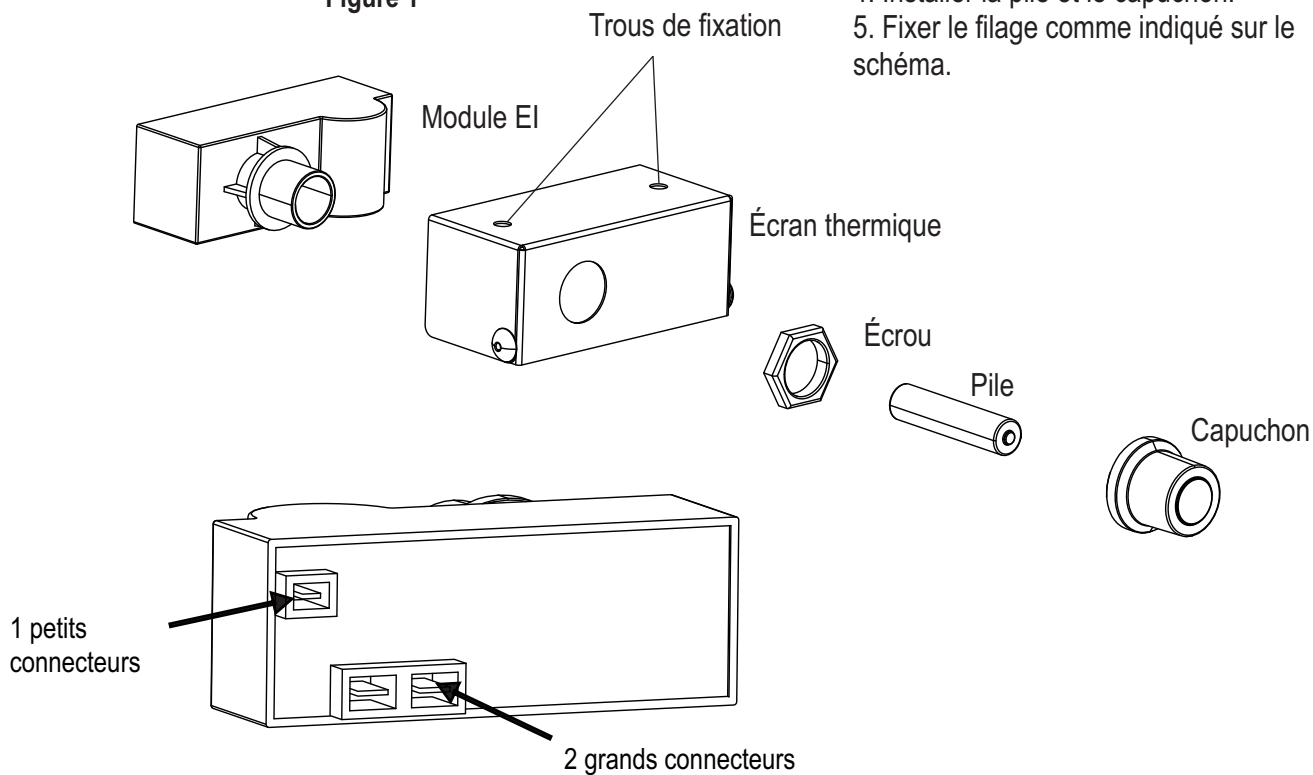


Figure 3

INSTALLATION (SUITE)

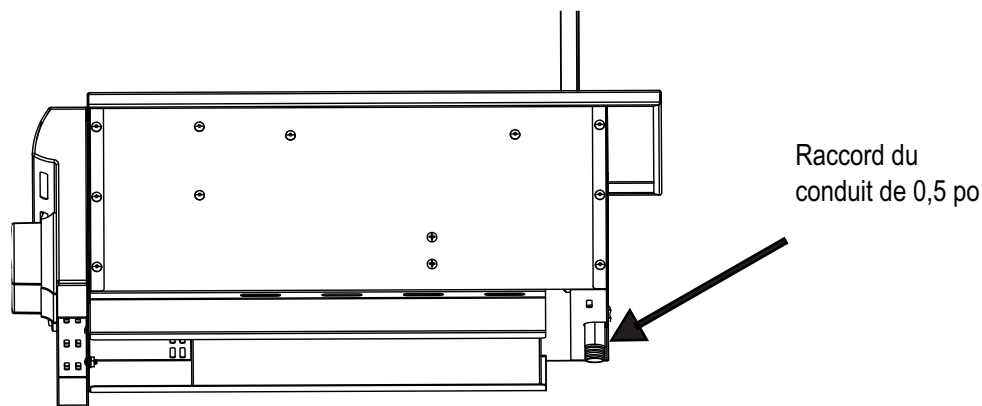
4. Raccordement à la conduite d'alimentation en gaz naturel

REMARQUE : Un plombier agréé doit faire l'installation de la conduite d'alimentation en gaz au brûleur latéral.

La conduite d'alimentation en gaz à partir de votre maison devrait passer par le coin arrière droit du brûleur latéral, à l'intérieur de l'enceinte du brûleur latéral. Il est recommandé qu'un conduit rigide soit utilisé pour raccorder l'admission du détendeur de l'appareil au gaz naturel. Le déplacement constant des conduits de gaz flexibles pourrait en limiter l'endurance et provoquer une fuite de gaz. Si un conduit rigide n'est pas utilisé pour la conduite d'alimentation de la maison, toutes les conduites de gaz flexibles doivent comporter des supports de fixation dans l'enceinte pour en éviter le déplacement constant et en prolonger l'endurance.

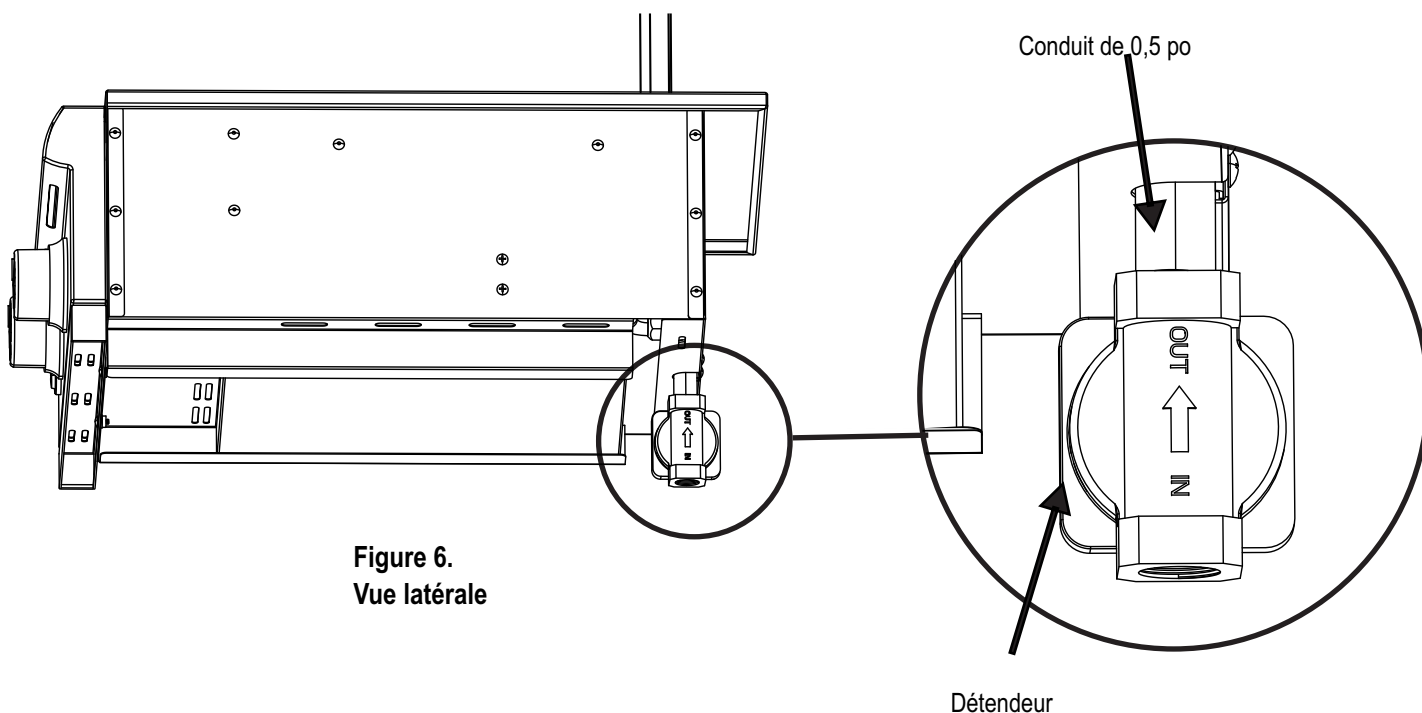
Avant d'installer le brûleur latéral dans l'enceinte :

1. Tourner la source de gaz à la position **OFF** (arrêt).
2. Retirer le capuchon protecteur en plastique du raccord du conduit de ½ po au coin inférieur arrière droit du brûleur latéral (voir la Figure 5).



Vue latérale de la Figure 5

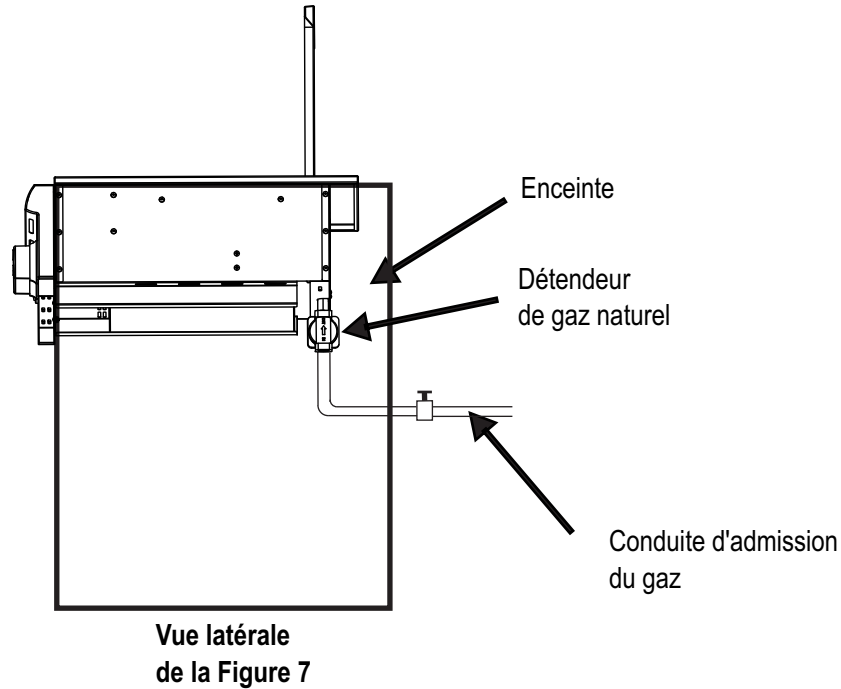
3. Appliquer une pâte à joint (non prévue) au raccord du conduit de ½ po. La pâte à joint utilisée doit être résistante à tous les gaz.
4. Raccorder le détendeur de l'appareil au gaz naturel (prévu) au raccord du conduit de ½ po en prenant soin de raccorder le côté sortie du détendeur au raccord du conduit (voir la Figure 6). Les côtés entrée et sortie du détendeur sont indiqués par des marques à l'arrière du corps du détendeur.



**Figure 6.
Vue latérale**

INSTALLATION (SUITE)

4. Raccordement à la conduite d'alimentation en gaz naturel (suite)

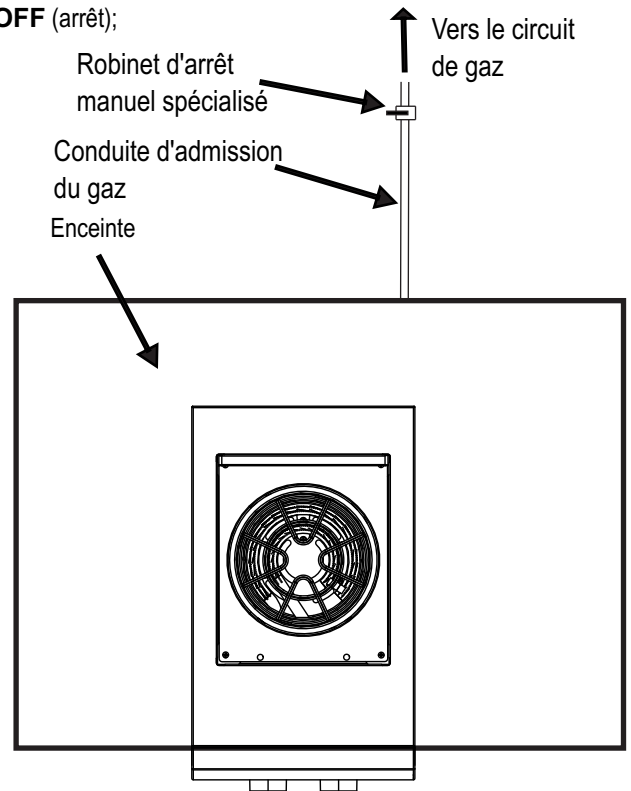


5. Le brûleur latéral est maintenant prêt à être installé dans l'enceinte. Éviter d'endommager le détendeur pendant l'installation. Deux personnes sont nécessaires pour soulever le brûleur latéral et le placer dans l'enceinte.

Avant d'installer le brûleur latéral dans l'enceinte :

1. Raccorder la ligne d'alimentation en gaz de la maison sur le côté admission du détendeur de l'appareil au gaz naturel en suivant les méthodes de raccordement recommandées ci-dessus. Appliquer la pâte à joint (non prévue) à la conduite d'admission avant de la raccorder au détendeur;
2. confirmer que tous les boutons de commande du brûleur latéral sont à la position **OFF** (arrêt);
3. ouvrir la source de gaz de la maison;
4. passer à l'Étape 5, Essais de fuite.

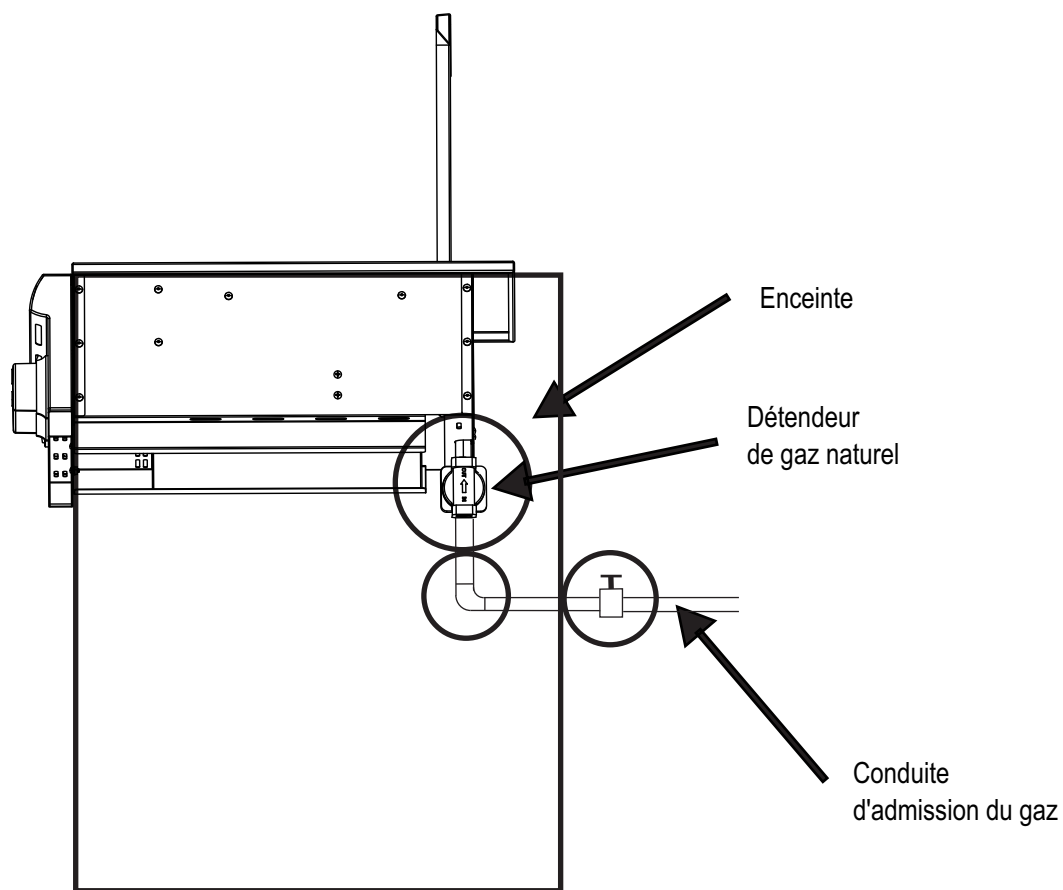
REMARQUE : Il est recommandé qu'un robinet d'arrêt manuel soit installé à l'extérieur de l'enceinte du brûleur latéral (voir la Figure 8).



INSTALLATION (SUITE)

5. Essais de fuite

1. Tourner tous les boutons de commande du brûleur latéral à la position **OFF** (arrêt).
2. Ouvrir la source de gaz de la maison.
3. Utiliser un pinceau propre et une solution d'eau et de savon doux à 50/50. Étendre la solution savonneuse au pinceau sur les zones indiquées (voir la Figure 9).
4. Si des bulles « grandissent », c'est qu'il y a fuite. Fermer l'alimentation en gaz principale, puis resserrer toutes les conduites. Si les fuites ne peuvent être arrêtées, ne pas essayer de réparer. Communiquer avec un plombier pour corriger la situation.
5. L'appareil et son robinet d'arrêt doivent être retirés du circuit d'alimentation en gaz pendant les essais de pression du circuit à des pressions supérieures à 1/2 psi (3,5 kPa).
6. L'appareil doit être isolé du circuit d'alimentation en gaz en fermant son robinet d'arrêt manuel pendant les essais de pression du circuit d'alimentation en gaz à des pressions égales ou inférieures à 1/2 psi (3,5 kPa).



Vue latérale
de la Figure 9

Article	Modalité de garantie
Pièces en acier inoxydable	
Couvercles	Garantie à vie limitée
Foyer extérieur	Garantie à vie limitée
Tubes de brûleur et tubes de relais	10 ans
Brûleur latérales de cuisson, plateau du brûleur latéral	5 ans, contre les perforations dues à la rouille ou aux brûlures
Pièces faites d'émail de porcelaine	
Garniture de couvercles	Garantie à vie limitée (excluant la décoloration)
Intérieur du foyer	Garantie à vie limitée contre les perforations dues à la rouille ou aux brûlures (excluant la décoloration)
Brûleur latérales de cuisson, cuvettes de brûleur	5 ans contre les perforations dues à la rouille ou aux brûlures (excluant la décoloration)
Pièces peintes	2 ans (excluant la décoloration)
Toutes les autres pièces	2 ans

GARANTIE LIMITÉE À VIE :

Saber garantit que les pièces en acier inoxydable (couvercle, garnitures de couvercle, foyer extérieur et panneaux du chariot) sont exemptes de vices de fabrication et de main-d'œuvre dans le cadre d'une utilisation résidentielle normale pendant toute la durée de vie du produit.

La garantie limitée à vie de Saber couvre l'intégrité structurelle du couvercle et du foyer extérieur. Si une détérioration structurelle survient et qu'elle altère le rendement du produit, la(les) pièce(s) sera(seront) remplacée(s), sans frais, et remise au client pour être installée. Les coûts associés à l'installation des pièces de remplacement ne sont pas couverts par la garantie à vie limitée et le propriétaire en est le seul responsable.

Cette garantie exclut la décoloration, les éraflures superficielles, les taches occasionnées par les intempéries et les polluants atmosphériques, les taches de rouille mineures et l'oxydation qui sont des conditions normales auxquelles il faut s'attendre lorsqu'un produit est utilisé à l'extérieur.

GARANTIE LIMITÉE DE DIX ANS : Saber garantit que les tubes de brûleur en acier inoxydable et les tubes de relais sont exempts de défauts de fabrication et de main-d'œuvre dans le cadre d'une utilisation résidentielle normale pour une période de dix (10) ans à compter de la date originale de l'achat. La pièce sera remplacée, sans frais.

GARANTIE LIMITÉE DE CINQ ANS : Saber garantit que les brûleur latérales de grille de cuisson et les cuvettes de brûleur sont exempts de vices de fabrication et de main-d'œuvre dans le cadre d'une utilisation résidentielle normale pour une période de cinq (5) ans à compter de la date originale de l'achat. La pièce sera remplacée, sans frais.

GARANTIE COMPLÈTE DE DEUX ANS : Saber garantit que toutes les pièces peintes et toutes les autres pièces qui ne sont pas expressément citées ci-dessus sont exemptes de vices de fabrication et de main-d'œuvre dans le cadre d'une utilisation résidentielle normale pendant une période de deux (2) ans à compter de la date originale de l'achat. Saber remplacera la pièce défectueuse ou jugée défectueuse durant la période de garantie, sans frais à l'acheteur d'origine.

Il revient au propriétaire d'installer correctement le produit, de fournir un entretien normal et de fournir une preuve d'achat sur demande.

Saber se réserve le droit, AVANT d'expédier les pièces de remplacement au titre de garantie, d'exiger que la pièce défectueuse lui soit retournée à des fins d'inspection et d'analyse. Les pièces demandées doivent être retournées à Saber avec frais de transport prépayés par le client.

LIMITES ET EXCLUSIONS DE LA GARANTIE

Cette garantie exclut les appareils achetés pour tout type d'utilisation commerciale ou communautaire dans des emplacements comme des restaurants, des hôtels, des établissements de restauration, des édifices à logement ou à condominiums, des immeubles locatifs et des produits dont le numéro de série a été modifié ou déposé.

La présente garantie ne couvre QUE les produits achetés et situés dans le territoire occidental des **États-Unis** et au **Canada**.

La garantie entre en vigueur à la date d'origine de l'achat. Une preuve de la date d'achat est requise pour se prévaloir de la garantie. Veuillez enregistrer votre produit et conserver le reçu original.

Pour activer la garantie, il faut toutefois nous faire parvenir la carte d'enregistrement de la garantie ci-jointe ou enregistrer votre produit en ligne.

Cette garantie s'applique seulement au propriétaire d'origine du brûleur latéral et ne peut pas/ne sera pas transférée.

Cette garantie ne couvre pas les dommages résultant de la négligence, d'une altération, d'une mauvaise utilisation, d'un abus, d'un accident, d'une catastrophe naturelle, d'un défaut d'alimentation électrique au produit pour quelque raison que ce soit, d'une installation ou d'une utilisation inadéquates, de l'exécution de réglages ou d'étalonnages non autorisés, des enfoncements, des bosses, des égratignures ou des dommages attribuables à l'utilisation de produits de nettoyage chimiques puissants.

Saber ne pourra être tenue responsable de tout dommage accessoire, consécutif, spécial ou contingent résultant d'un manquement à la présente garantie écrite ou de toute garantie implicite.

Dans l'éventualité d'un remplacement au titre de garantie, toutes les opérations de dépose, de remplacement et d'installation sont la responsabilité du propriétaire du brûleur latéral.

Saber se réserve le droit de remplacer tout produit défectueux par un produit d'une valeur égale au prix d'achat d'origine. La garantie de réparation ou de remplacement demeure à la discrétion unique de Saber.

Les détaillants et les distributeurs ne peuvent en aucun cas adapter, modifier ou prolonger les conditions et les modalités de la garantie d'origine.

La garantie de Saber ne couvre pas les situations suivantes :

- Les frais de main-d'œuvre liés à l'installation ou au montage, au diagnostic du problème ou aux réparations.
- L'entretien de routine normal recommandé.
- Les dommages résultant d'un accident, d'une modification, d'une mauvaise utilisation, d'un abus, d'environnements hostiles, d'une installation inadéquate ou d'une installation qui ne respecte pas les codes et règlements locaux, provinciaux et fédéraux.
- L'utilisation de pièces « universelles » ou non autorisées.
- Des dommages ou de la corrosion causés par un manque d'entretien ou l'omission de suivre les directives d'utilisation et d'entretien émises par le fabricant, les feux de friture, les animaux ou les insectes.
- Tout dommage résultant d'une utilisation commerciale ou communautaire de ce produit.
- Les modèles en démonstration dans les magasins sont généralement vendus « TELS QUELS ». Si vous avez acheté un modèle de démonstration, veuillez prendre note qu'il est vendu « TEL QUEL » et régi par les exclusions de garantie ci-dessous :
 - Tout dommage extérieur ou cosmétique n'est pas couvert par la présente garantie.
 - Toute pièce manquante sera remplacée aux frais du client uniquement.

STIPULATION D'EXONÉRATION DE GARANTIES IMPLICITES ET LIMITATIONS DES RECOURS

LA RÉPARATION OU LE REMPLACEMENT D'UNE PIÈCE DÉFECTUEUSE CONSTITUE LE SEUL RECOURS DU CLIENT EN VERTU DES MODALITÉS DE LA PRÉSENTE GARANTIE LIMITÉE. LES GARANTIES IMPLICITES, INCLUANT DES GARANTIES DE QUALITÉ MARCHANDE OU D'ADAPTATION À UN USAGE PARTICULIER, SONT EXCLUES OU LIMITÉES À UN AN OU À LA PÉRIODE LA PLUS COURTE PRÉVUE PAR LA LOI. SABER NE SAURAIT ÊTRE TENUE RESPONSABLE DE DOMMAGES ACCESSOIRES OU CONSÉCUTIFS. CERTAINS ÉTATS OU PROVINCES N'AUTORISENT PAS LES EXCLUSIONS OU LES RESTRICTIONS DE DOMMAGES ACCESSOIRES OU CONSÉCUTIFS OU DE RESTRICTIONS QUANT À LA DURÉE DE LA GARANTIE IMPLICITE DE QUALITÉ MARCHANDE OU D'ADAPTATION À UN USAGE PARTICULIER DE SORTE QU'IL EST POSSIBLE QUE CERTAINES RESTRICTIONS OU EXCLUSIONS NE S'APPLIQUENT PAS À VOUS. LA PRÉSENTE GARANTIE VOUS CONFÈRE DES DROITS JURIDIQUES SPÉCIFIQUES. IL EST POSSIBLE QUE VOUS DISPOSIEZ D'AUTRES DROITS QUI PEUVENT VARIER D'UN ÉTAT OU D'UNE PROVINCE À L'AUTRE.

Pour obtenir un service au titre de garantie ou des pièces de rechange :

Avant de communiquer avec votre concessionnaire ou de nous téléphoner directement, veuillez vous assurer que votre brûleur latéral est enregistré. Vous pouvez enregistrer votre brûleur latéral à : <http://www.sabergrills.com/registration>.

Téléphonez à votre détaillant Saber autorisé. Une liste des détaillants Saber et leurs coordonnées se trouvent à l'adresse <http://www.sabergrills.com>.

Utilisez notre service à la clientèle en ligne à l'adresse <http://www.sabergrills.com/warranty service>.

Téléphonez directement à Saber au numéro 1-(888)-94S-ABER (947-2237). Nous nous faisons un plaisir de vous aider!

Ou écrivez à :

Saber®
Service sous garantie
P. O. Box 1977
Columbus, GA. 31902

Soyez prêt à fournir l'information suivante : le nom de l'acheteur, le modèle et le numéro de série du brûleur latéral, la date d'achat et la description précise du problème.

Date d'achat :	
Détaillant où vous avez acheté votre brûleur latéral :	
Numéro de téléphone du détaillant :	
Numéro de modèle : <i>(Situé sur la page couverture du guide d'utilisation ou l'étiquette indiquant la puissance nominale)</i>	
Numéro de série : <i>(Situé sur la page couverture du guide d'utilisation ou l'étiquette indiquant la puissance nominale)</i>	

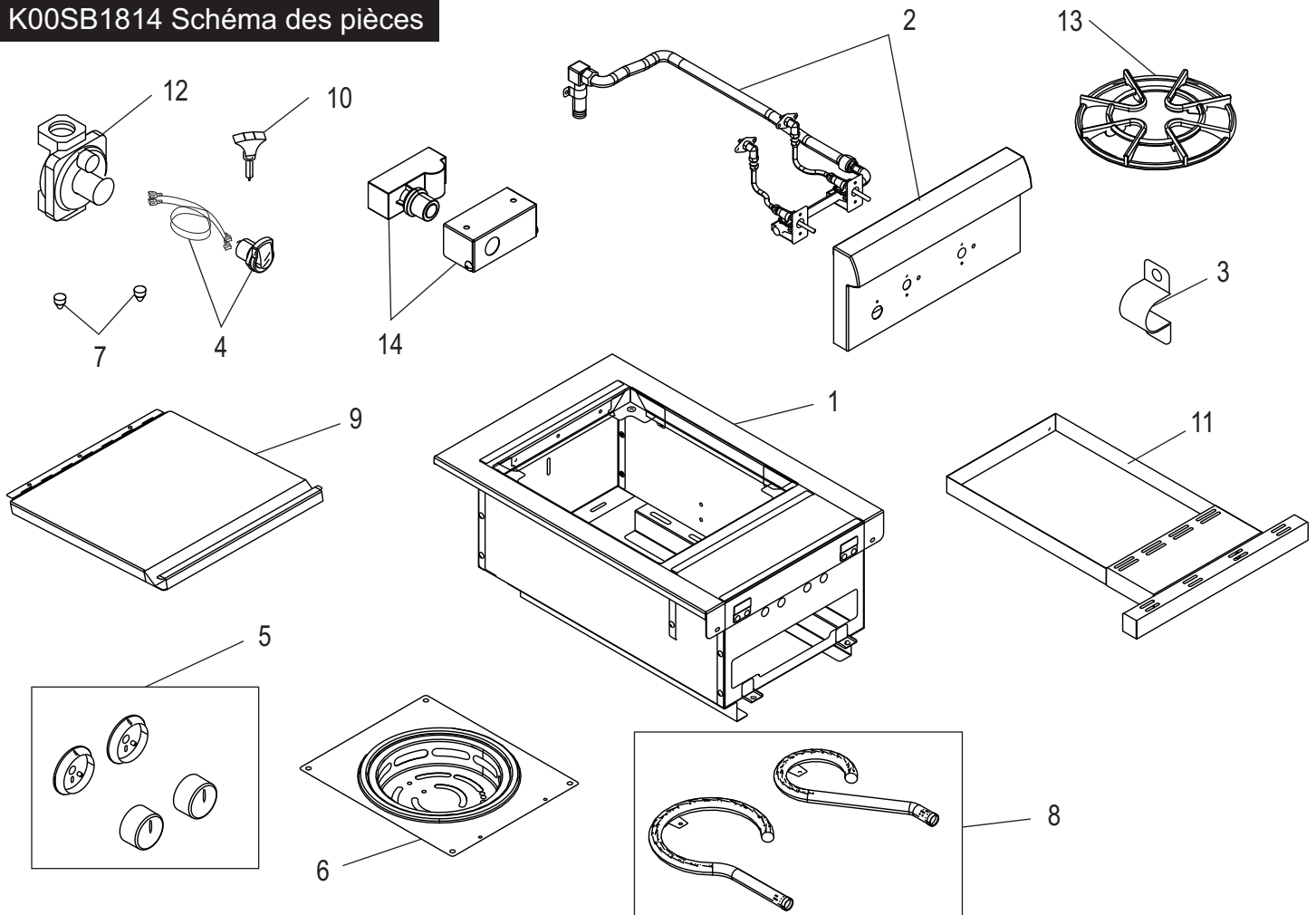
K00SB1814 Liste des pièces

Clé	Qté	Description
1	1	Boîtier du brûleur
2	1	ENSEMBLE, Control Console avec assemblage RVP
3	1	ENSEMBLE, Fixation pour le tube de gaz flexible
4	1	ENSEMBLE, Module poignée avec fil
5	2	ENSEMBLE, Poignée avec collerette d'encastrement, gaz naturel
6	1	ENSEMBLE, Plateau du brûleur latéral
7	2	Butoirs du couvercle
8	1	ENSEMBLE, Brûleurs, brûleur latéral double, Saber BI SB
9	1	ENSEMBLE, Couvercle brûleur latéral
10	1	ENSEMBLE, Électrode pour les brûleurs de chaque côté
11	1	Assemblage collecteur de graisse
12	1	Détendeur de gaz naturel de l'appareil
13	1	Grille de cuisson, brûleur latéral en fonte
14	1	ENSEMBLE, Dispositif d'allumage électronique à étincelle unique avec écran thermique

NON illustré

...	1	Pack d'orifices, GPL
...	1	Guide d'entretien et d'utilisation anglais, français, espagnol

K00SB1814 Schéma des pièces



URGENCES : si une fuite de gaz ne peut pas être arrêtée, ou si un incendie se propage en raison d'une fuite de gaz, appelez le service d'incendie.

Urgences	Cause possible	Prévention/Solution
Fuite de gaz sur un tuyau cassé, coupé ou brûlé.	<ul style="list-style-type: none"> Tuyau endommagé ou la conduite de gaz 	<ul style="list-style-type: none"> Fermez l'alimentation en gaz au niveau du réservoir ou à la source au niveau du système de distribution du gaz naturel. Si l'une des pièces est brûlée ou endommagée, remplacer la conduite de gaz, le tuyau souple ou le détendeur. Cessez d'utiliser le produit jusqu'à ce qu'un plombier ait recherché la cause du problème et que les corrections soient faites Remplacez le réservoir de gaz.
Fuite de gaz du réservoir de GPL.	<ul style="list-style-type: none"> Défaillance mécanique due à la rouille ou à une mauvaise manipulation. 	<ul style="list-style-type: none"> Fermez l'alimentation en gaz au niveau de la valve du réservoir de GPL. Rappelez le réservoir de GPL au fournisseur.
Fuite de gaz de la valve du réservoir de GPL.	<ul style="list-style-type: none"> Défaillance de la valve du réservoir due à une mauvaise manipulation ou à une défaillance mécanique. Installation incorrecte, connexion non étanche, défaillance du joint d'étanchéité. 	<ul style="list-style-type: none"> Fermez l'alimentation en gaz au niveau de la valve du réservoir. Retirez le régulateur du réservoir et vérifiez par inspection visuelle si le joint d'étanchéité a été endommagé ou non. Consultez les sections « Essai d'étanchéité d'un réservoir de GPL » et « Connexion du régulateur au réservoir de GPL ».
Fuite de gaz entre le réservoir de GPL et le raccord du régulateur.	<ul style="list-style-type: none"> Feu dans le tube du brûleur au niveau du brûleur dû à un blocage. 	<ul style="list-style-type: none"> Fermez tous les boutons de réglage, ainsi que la valve du réservoir. Laissez le couvercle ouvert pour permettre aux flammes de s'éteindre. Une fois le feu éteint et l'appareil refroidi, enlevez le brûleur et inspectez-le afin d'identifier la présence de rouille ou de nids d'araignées. Consultez les pages concernant les dangers naturels et celles sur le nettoyage du brûleur.
Feu sortant du panneau de commande.	<ul style="list-style-type: none"> Accumulation excessive de graisse autour du brûleur. 	<ul style="list-style-type: none"> Fermez tous les boutons de réglage, ainsi que la valve du réservoir. Laissez le couvercle ouvert pour permettre aux flammes de s'éteindre. Une fois le refroidissement terminé, enlevez les particules d'aliments et la graisse accumulés à l'intérieur du foyer, du plateau d'écoulement de la graisse et des autres surfaces.
Feu de graisse ou grosses flammes continues au dessus de la surface de cuisson.	<ul style="list-style-type: none"> Le détendeur n'est pas étanche au niveau du conduit de l'entrée de gaz sur le brûleur latéral 	<ul style="list-style-type: none"> Fermer le robinet d'alimentation en gaz. Débranchez les conduites de l'entrée de gaz naturel du détendeur. Retirez le détendeur du brûleur latéral et joindre de manière étanche le conduit de l'entrée de gaz. Raccorder de nouveau les conduites de gaz au détendeur.

Dépannage

Problème	Cause possible	Prévention/Solution
<p>Le dispositif d'allumage n'allume pas le(s) brûleur(s). (Voir également la section Dépannage pour les dispositifs d'allumage électroniques) <i>suite à la page suivante.</i></p>	<p>PROBLÈMES RELATIFS AU GAZ :</p> <ul style="list-style-type: none"> Vous essayez d'allumer le mauvais brûleur. Le brûleur n'est pas branché au système de valve. Le brûleur est obstrué. Le gaz ne circule pas. Il y a un bouchon de vapeur au niveau de l'écrou de raccord du réservoir de GPL. L'écrou de raccord et le réservoir de GPL ne sont pas complètement branchés. <p>PROBLÈMES ÉLECTRIQUES :</p> <ul style="list-style-type: none"> L'électrode est fendue ou cassée. Des étincelles se produisent à l'endroit de la fissure. La pointe de l'électrode n'est pas placée au bon endroit. Des fils ou l'électrode sont couverts de résidus de cuisson. Les fils sont débranchés ou le contact est mauvais. Court-circuit (étincelles) entre le dispositif d'allumage et l'électrode. La pile est épuisée. 	<ul style="list-style-type: none"> Voir les instructions sur le panneau de commande et dans la section Utilisation et entretien. Assurez-vous que le porte-orifice est bien inséré dans les tubes du brûleur. Assurez-vous que les tubes du brûleur ne sont pas obstrués par des toiles d'araignées ou par d'autres matières. Voir la section sur le nettoyage et l'entretien. Vérifiez que le réservoir de GPL n'est pas vide ou l'alimentation en gaz naturel est ouverte. Si le réservoir de GPL n'est pas vide, consultez l'article « Baisse subite de la circulation du gaz ». Fermez tous les boutons de réglage et débranchez l'écrou de raccord du réservoir de gaz. Rebranchez-le et essayez à nouveau. Tournez l'écrou de raccord d'environ un demi-tour ou de trois quarts de tour supplémentaire jusqu'à ce qu'il soit bloqué à fond. Ne serrez qu'à la main - n'utilisez pas d'outils. Remplacez la ou les électrodes. <p>Brûleurs principaux :</p> <ul style="list-style-type: none"> La pointe de l'électrode doit être orientée vers l'orifice de gaz du brûleur. La distance doit se situer entre 1/8 po et 1/4 po. Ajustez au besoin. <p>Brûleur latéral :</p> <ul style="list-style-type: none"> La pointe de l'électrode doit être orientée vers l'orifice de gaz du brûleur. La distance doit se situer entre 1/8 po et 3/16 po. Ajustez au besoin. <ul style="list-style-type: none"> Nettoyez les fils ou les électrodes au moyen d'alcool à friction et d'un chiffon propre. Rebranchez les fils ou remplacez les électrodes et les fils. Remplacez le câble d'allumage ou l'électrode. Remplacez par une nouvelle pile alcaline.

Dépannage (suite)

Problème	Cause possible	Prévention/Solution
Le dispositif d'allumage n'allume pas le(s) brûleur(s). (Voir également la section Dépannage pour les dispositifs d'allumage électroniques)	ALLUMAGE ÉLECTRONIQUE : <ul style="list-style-type: none"> • Pas d'étincelles, pas de bruit d'allumage. • Pas d'étincelles, quelques bruits d'allumage. • Les étincelles sont présentes, mais pas au niveau de l'électrode ou pas à pleine puissance. 	<ul style="list-style-type: none"> • Reportez-vous à la section I du système d'allumage électronique. • Reportez-vous à la section II du système d'allumage électronique. • Reportez-vous à la section III du système d'allumage électronique.
Le brûleur ne s'allume pas avec des allumettes.	<ul style="list-style-type: none"> • Consultez la section « PROBLÈMES RELATIFS AU GAZ » à la page précédente. • L'allumette est trop courte. • Méthode incorrecte d'allumage avec une allumette. 	<ul style="list-style-type: none"> • Utilisez des allumettes à tige longue (allumettes conçues pour l'allumage de foyers). • Reportez-vous à la section « Allumage avec une allumette » dans le manuel d'utilisation et d'entretien.
Baisse subite du flux de gaz ou flamme faible.	<ul style="list-style-type: none"> • Le gaz est épuisé. • La soupape de remplissage excessif a été déclenchée. • Il existe un bouchon de vapeur au niveau de l'écrou de raccord du réservoir de GPL. • Obstruction de la conduite de gaz naturel • Verrouillage du détendeur de gaz naturel NG regulator lock-up 	<ul style="list-style-type: none"> • Vérifiez que le réservoir de GPL contient bien du gaz. • Fermez les boutons, attendez 30 secondes et allumez le brûleur latéral. Si les flammes sont toujours faibles, fermez les boutons et la valve du réservoir. Débranchez le régulateur. Rebranchez le régulateur et faites un essai d'étanchéité. Ouvrez la valve du réservoir, attendez 30 secondes, puis allumez le brûleur latéral. • Fermez tous les boutons de réglage, ainsi que la valve du réservoir. Débranchez l'écrou de raccord du réservoir. Rebranchez-le et essayez de nouveau. • Vérifiez l'alimentation en gaz naturel • Faites appel aux services d'un plombier afin qu'il vérifie la pression d'alimentation en gaz naturel
Les flammes s'éteignent.	<ul style="list-style-type: none"> • Vents forts ou rafales. • Niveau de gaz bas. • La soupape de remplissage excessif a été déclenchée. • Il reste peu de gaz naturel 	<ul style="list-style-type: none"> • Tournez le brûleur latéral afin de faire face au vent ou augmentez la hauteur des flammes. • Remplissez le réservoir de gaz. • Reportez-vous à la section « Baisse subite de l'écoulement du gaz » ci-dessus. • Vérifiez l'alimentation en gaz naturel
Flambées soudaines.	<ul style="list-style-type: none"> • Accumulation de graisse. • Excès de gras dans la viande. • Température de cuisson excessive. 	<ul style="list-style-type: none"> • Nettoyez les brûleurs et la partie intérieure du brûleur latéral ou du foyer. • Enlevez le gras de la viande avant la cuisson. • Ajustez (abaissez) la température selon le cas.
Incendie de graisse persistant.	<ul style="list-style-type: none"> • Graisse coincée par l'accumulation de nourriture autour du système du brûleur. 	<ul style="list-style-type: none"> • Tournez les boutons en position d'arrêt (OFF). Fermez l'alimentation en gaz au niveau du réservoir de GPL. Laissez le couvercle en position ouvrir et laissez le feu s'épuiser. Lorsque le brûleur latéral a refroidi, enlevez et nettoyez toutes les pièces.
Un brûleur ne s'allume pas à partir d'autres brûleurs.	<ul style="list-style-type: none"> • Accumulation de graisse ou de particules d'aliments dans le(s) extrémité(s) des renforts de tube. 	<ul style="list-style-type: none"> • Nettoyez le(s) renfort(s) de tube au moyen d'une brosse métallique.
Retour de flamme... (incendie dans les tubes du brûleur).	<ul style="list-style-type: none"> • Le brûleur ou les tubes du brûleur sont bloqués. 	<ul style="list-style-type: none"> • Tournez les boutons en position d'arrêt (OFF). Nettoyez les brûleurs ou les tubes de brûleur. Voir la section sur le nettoyage du brûleur du manuel d'utilisation et d'entretien.
Un des brûleurs ne déclenche pas l'allumage dans l'autre brûleur.	<ul style="list-style-type: none"> • Le brûleur ou les tubes du brûleur sont bloqués. 	<ul style="list-style-type: none"> • Tournez les boutons en position d'arrêt (OFF). Nettoyez les brûleurs ou les tubes de brûleur. Voir la section sur le nettoyage du brûleur du manuel d'utilisation et d'entretien.

Dépannage – Allumage électronique

Problème (allumage)	Cause possible	Vérification de la procédure	Prévention/Solution
SECTION I Pas d'étincelles apparaissent à tout moment des électrodes d'allumage électronique Buttonis pressés, pas de bruit peut être entendu à partir de bougies module.	<ul style="list-style-type: none"> • La pile n'est pas installée correctement. • La pile est épuisée. • Le bouton n'est pas installé correctement. • Le module de production d'étincelles est défectueux. 	<ul style="list-style-type: none"> • Vérifiez l'orientation de la pile. • Cette pile a-t-elle déjà été utilisée? • Vérifiez que le filetage est bien engagé. Le bouton doit se déplacer librement de haut en bas. • Si aucune étincelle n'est produite avec une nouvelle pile et un bon raccord de fils, le module est défectueux. 	<ul style="list-style-type: none"> • Installez la pile (assurez-vous que les polarités « - » et « + » sont orientées correctement, avec le côté « - » vers le haut et le côté « + » vers le bas.) • Remplacez la pile avec une nouvelle pile alcaline. • Desserrez l'assemblage du capuchon du bouton et installez-le de nouveau, en vous assurant que le filetage est aligné et engagé complètement. • Remplacez le module d'étincelles.
SECTION II Pas d'étincelles apparaissent à tout moment des électrodes d'allumage électronique Buttonis pressé, le bruit peut être entendu à partir de bougies module.	<ul style="list-style-type: none"> • Les fils de sortie ne sont pas branchés. 	<ul style="list-style-type: none"> • Les fils de sortie sont-ils branchés et étanches? 	<ul style="list-style-type: none"> • Enlevez et rebranchez tous les fils de sortie du module et des électrodes.
SECTION III Des étincelles sont présentes, mais pas vis-à-vis de toutes les électrodes ou alors, les étincelles ne sont pas à pleine puissance.	<ul style="list-style-type: none"> • Les fils de sortie ne sont pas branchés. • Amorçage d'arc électrique loin des brûleurs. • Pile faible. • Les électrodes sont mouillées. • Les électrodes sont fendues ou cassées. Des étincelles apparaissent à l'endroit de la fissure. 	<ul style="list-style-type: none"> • Les fils de sortie sont-ils branchés et étanches? • Si possible, observez le brûleur latéral dans l'obscurité. Faites fonctionner le dispositif d'allumage et cherchez l'amorçage de l'arc entre les fils de sortie et le cadre du brûleur latéral. • Toutes les étincelles sont présentes, mais faibles ou lentes. • Y-a-t-il une accumulation d'humidité sur l'électrode ou dans les ouvertures du brûleur? • Examinez les électrodes pour d'éventuelles fissures. 	<ul style="list-style-type: none"> • Enlevez et rebranchez tous les fils de sortie du module et des électrodes. • Si vous voyez des étincelles autres que celles des brûleurs, les fils d'isolation sont peut-être endommagés. Remplacez les fils. • Remplacez la pile avec une nouvelle pile alcaline. • Essuyez l'humidité avec une serviette de papier. • Remplacez les électrodes fendues ou cassées.

REMARQUES