



MULTI-PORT VALVE USER MANUAL

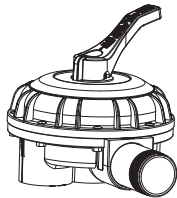
For CMP# 27503-200-000; 27504-200-00; 27506-200-000



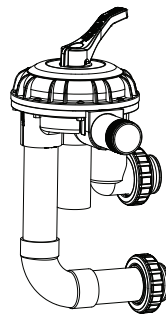
Important Notice: This manual contains important information about the installation, operation and safety procedures of the product. Read and follow all instructions before the installation or servicing. Failure to follow safety warnings and instructions can result in severe injury, death, or property damage.

PRODUCT INFORMATION

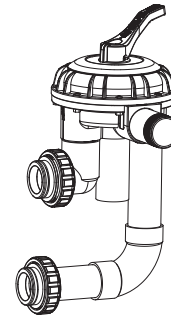
These multi-port valves are replacements for Pentair 261049; 261050; 261142 Valves*. The filter valve features an easy-to-use lever action handle that lets you dial up to six valve/filter functions: filter, backwash, waste, rinse, closed, or recirculate. The valve has 2in Slip and bulkhead fittings of 7-1/2" centerline distance.



27503-200-000
Replacement for Pentair 260149.
Compatible with Pentair Triton sand filters, Quad, FNS Plus, and Nautilus Plus DE filters



27504-200-000
Replacement for Pentair 261050. Compatible with Pentair Triton sand filters



27506-200-000
Replacement for Pentair 261142. Compatible with Pentair Quad, FNS Plus, and Nautilus Plus NSP DE filters.

*Pentair is a registered trademark of Pentair Aquatic Systems

Valve Setting	Water Flow Path; Setting Function
FILTER	<i>PUMP ► TOP ► THROUGH FILTER ► BOTTOM ► POOL RETURN</i> For normal filter action and vacuuming pool through filter.
BACKWASH	<i>PUMP ► BOTTOM ► THROUGH FILTER ► TOP ► WASTE</i> For cleaning filter by reversing flow.
RINSE	<i>PUMP ► TOP ► THROUGH FILTER ► BOTTOM ► WASTE</i> For start-up cleaning and resetting filter bed after backwashing.
WASTE	<i>PUMP ► WASTE</i> For vacuuming directly to waste, lowering pool level or draining pool.
CLOSED	<i>NO FLOW. DO NOT USE WHEN PUMP IS IN OPERATION</i> For shutting off all flow to filter and pool.
RECIRCULATE	<i>PUMP ► POOL RETURN</i> For circulating water without going through filter.



CAUTION: TURN PUMP OFF BEFORE SERVICING OR CHANGING VALVE POSITIONS

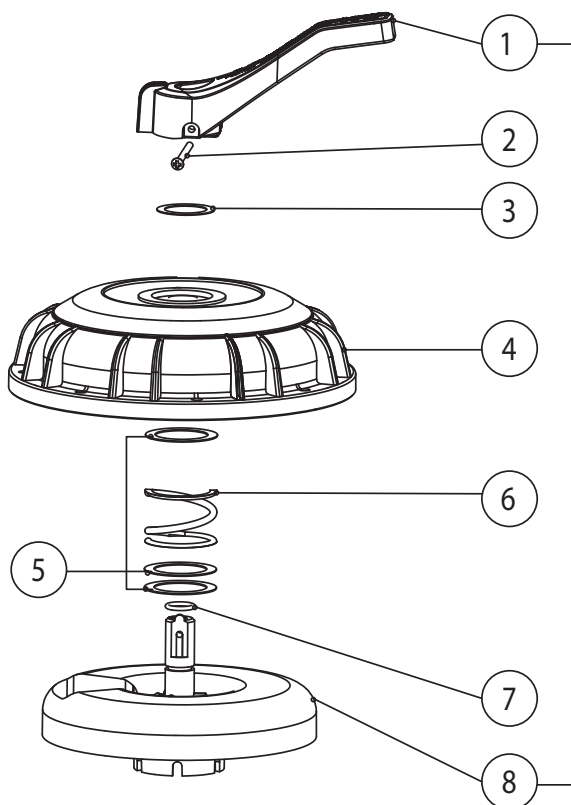
INSTALLATION & SERVICE INSTRUCTIONS



- Confirm correct valve is being used for your filter type and model.
- To install valve to filter, secure bulkhead nuts on valve to fittings on filter. **TIGHTEN NUTS BY HAND ONLY.** Connect pump, return, and waste lines by following the markings on the ports.
- **VALVE TOP IS UNDER SPRING LOAD.** To open top half and service valve, evenly and alternately loosen cover screws.
- To re-assemble the top half, place the diverter on a smooth and firm surface. Assemble parts on the shaft by following Figure A below. **Make sure the pointer on the handle and the arrow on the diverter point in the same direction.** Press down on the cover using clamps to depress the heavy-duty spring and secure the valve handle with the screw.
- To re-assemble the top half to valve bottom, tighten cover screws evenly and alternately. **DO NOT OVER-TIGHTEN THE SCREWS, OR USE MOTORIZED SCREWDRIVERS.**
- **WINTERIZATION:** To winterize, drain the pump and filter per manufacturer's instructions. Press down on the valve handle and rotate to a position that is between any two settings.



IF O-RINGS REQUIRE LUBRICATION, USE ONLY SILICONE TYPE LUBRICANTS



Complete Top Half Assy
27506-200-100
(includes 1-8)

Item	Item Description	QTY
1	Handle	1
2	Screw	1
3	Plastic Washer	2
4	Top Cover	1
5	Stainless Steel Washer	3
6	Heavy Duty Spring	1
7	Diverter O-ring	1
8	Diverter	1

Figure A: Top Half Assy Components

For the full list of replacement parts of this unit, please check our catalog or our website at www.c-m-p.com.