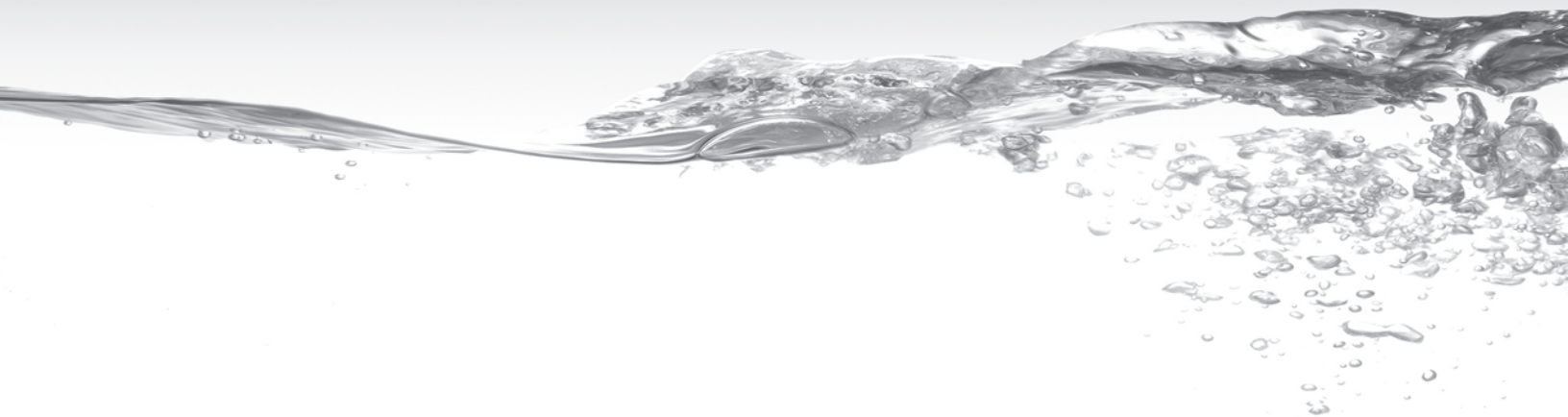


DO NOT RETURN THIS PRODUCT TO RETAILER

Return Merchandise Authorization Number (RMA#) is Required. To obtain RMA #, Technical Support or to review Troubleshooting Videos and Step-By-Step Troubleshooting Procedures please visit www.AquaProducts.com/Service.



JET CLEANERS - IN GROUND OPERATOR'S MANUAL AND TROUBLESHOOTING GUIDE

Please Read Carefully Before Using Your Pool Cleaner

This manual is for use with a variety of Aqua Products Robotic pool cleaners.

AQUA PRODUCTS

THE WORLD'S LEADER IN ROBOTIC POOL CLEANING SOLUTIONS

eco
efficient



TABLE OF CONTENTS

JET CLEANERS

Introduction.....	2
Operating Features.....	3
Power Supply Units.....	4
Knowing / Using Model Features.....	5
Next Generation Bottom Lid Assembly.....	6
Operating Instructions.....	7
Setting the Digital Timer.....	8
Setting the Lock Pin to Change Cleaning Patterns.....	9
Cleaner Maintenance.....	10
Troubleshooting.....	11-12
Registration & Assistance.....	13

INTRODUCTION

Dear Customer,

Congratulations! You have purchased one of the best pool cleaners that technology has to offer! Your new cleaner is a fully automatic, “robotic” in ground pool cleaner engineered with the patented powerful water jet drive propulsion system. Please read the following carefully so that you are fully aware of all the capabilities and features your pool cleaner has to offer.

How does your cleaner work?

The simple yet powerful built-in pump motor operates the suction power, the power washing jets and the jet drive propulsion of your cleaner. Power washing jets directed at the pool’s surface underneath the cleaner flush up dirt and debris for the suction power to easily vacuum this into its body and be filtered by its easy-to-clean, internal reusable filter bag system. A simple patented sliding axle system allows your cleaner to alternate between straight and curved movements, allowing it to clean any pool shape in most cases in less than one hour. Since the dirt is trapped within your cleaner’s internal filter and not your pool’s filter, all that is needed is the occasional removal, emptying and rinsing clean of this filter bag as opposed to the constant costly and time consuming cleaning of your main pool filter, saving you from the loss of hundreds of gallons of treated water annually and from this water entering and harming the environment.



Never operate your cleaner when it is not totally submersed in the pool water! Doing so may cause severe damage to motors and require costly repairs!



Never allow anyone to swim in the pool while the cleaner is in the pool!



WARNING: Using the Floating Cable to lift the cleaner out of the water will cause severe damage to your cleaner and may result in costly repair!



WARNING: The Power Supply must be placed at least 12 feet / 4 meters from the pool’s edge!



WARNING! A Ground Fault Circuit Interrupter (GFCI) / Residual Current Device (R.C.D), must be installed to protect your electric outlet and to prevent and possible electrical shock!

OPERATING FEATURES

This manual has been created to represent the set-up and troubleshooting practices required for a variety of Aqua Products cleaners. Although the shape, color and some components featured herein may not be identical to those of your cleaner, their operating and service procedures are. As there are a variety of features and components applicable to the various models produced, some pages may show these and may not be completely relevant to your model. Please find the features and components applicable to your cleaner.

Figure 1

What's inside a Jet Unit?

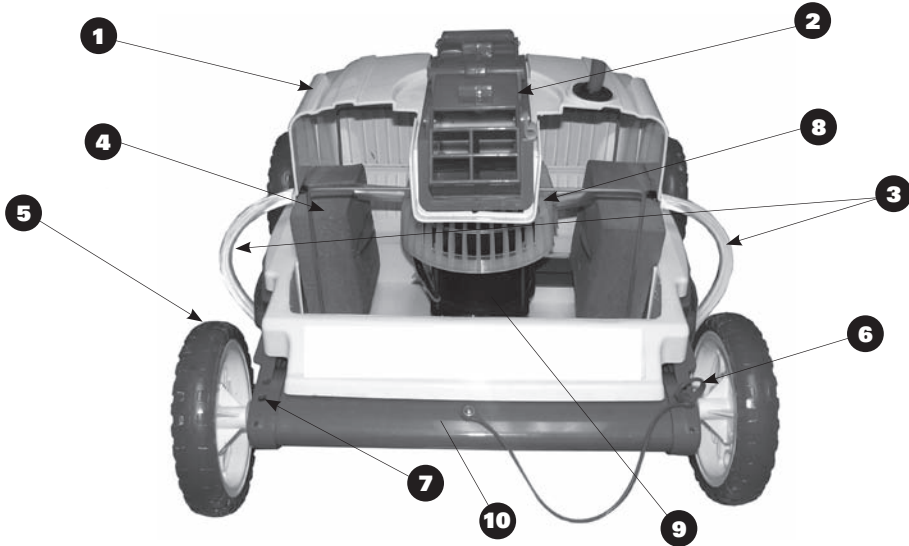
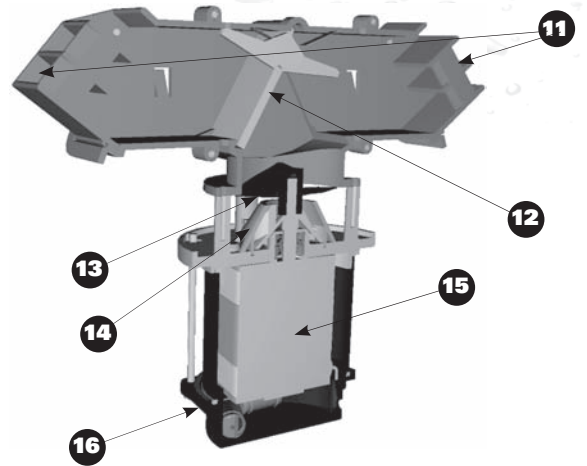


Figure 2

Cross-section of Pump Motor and Jet Valve Housing



- | | | |
|-----------------------------|---------------------------------|--------------------------|
| 1. Body | 7. Axle Radius Pin-holes | 13. Propellor |
| 2. Jet Valve Housing | 8. Protective Motor Shield | 14. Propellor Housing |
| 3. Hydro-scrubbing Jets | 9. Pump Motor | 15. Brushless Pump Motor |
| 4. Internal Buoyancy Floats | 10. Protective Bumper | 16. Pump Motor Housing |
| 5. Non-marring Wheels | 11. Dual-directional Exit Ports | 17. Digital Power Supply |
| 6. Locking Wheel Pin | 12. Spring-loaded Valve | 18. NeverStuck™ Rollers |

Figure 3



Important: Your cleaner may be of different shape or color and with features located in varying locations than those pictured in this operator manual. However, most of the operating functions are identical and therefore the following instructions should be reviewed thoroughly.

POWER SUPPLY UNITS

Figure 1



Fig. 1
Digital Power Supply (Transformer)
with Two-Hour Automatic Shut-Off

- 1.1 Fuse Holder
- 1.2 Power Supply Cord
- 1.3 Power (ON/OFF) Switch
- 1.4 Digital Timer Control Panel
- 1.5 Socket (For Floating Cable)

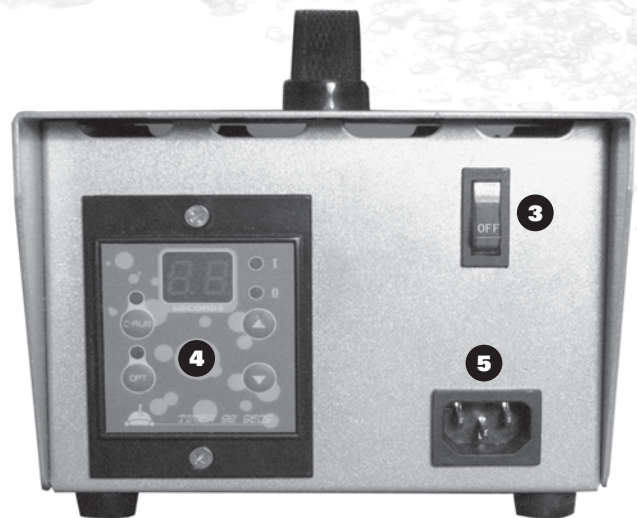
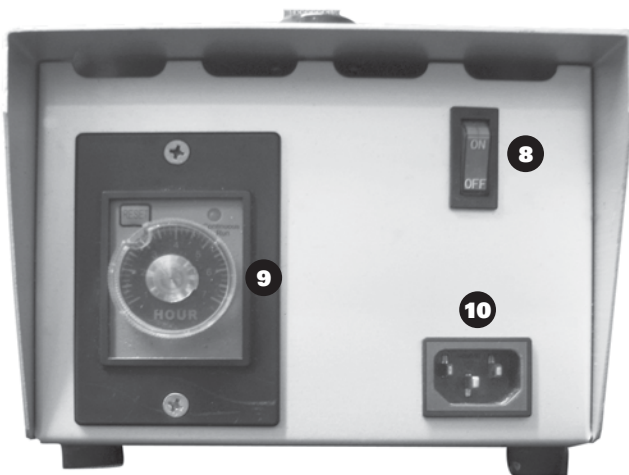


Fig. 2
Analog Power Supply (Transformer)
with Two-Hour Automatic Shut-Off

- 2.6 Fuse Holder
- 2.7 Power Supply Cord
- 2.8 Power (ON/OFF) Switch
- 2.9 Analog Timer Control Dial
- 2.10 Socket (For Floating Cable)

Figure 2



Never allow anyone to swim in the pool while the cleaner is in the pool!

KNOWING / USING MODEL FEATURES

SETTING THE POWER SUPPLY TIMER (INTERNAL AND / OR EXTERNAL)

If your cleaner has an adjustable Dial or Digital timer, you can set it for *Continuous Run* or *Internal Timed Operation*. All Power Supplies, including No Timer, Dial timer and Digital timer models, may be connected to an external, separately purchased timer, such as a house-type timer or pool control system. In this *External Timed Operation* mode your cleaner can externally be set to automatically turn ON / OFF / ON / OFF as needed.

Continuous Run Operation (C-RUN)

Continuous Run mode means that the cleaner will operate continuously until you physically press the ON / OFF Switch to OFF. After pressing OFF, to restart its operation you must physically press the Switch back to ON.

No Timers

If your Power Supply does not have an Adjustable Timer (Dial or Digital), then it is considered to always be in Continuous Run mode.

1. Press the Main Power ON / OFF Switch to "ON". Your cleaner is now set to Continuous Run mode.

Dial Timers (Fig. 1a)

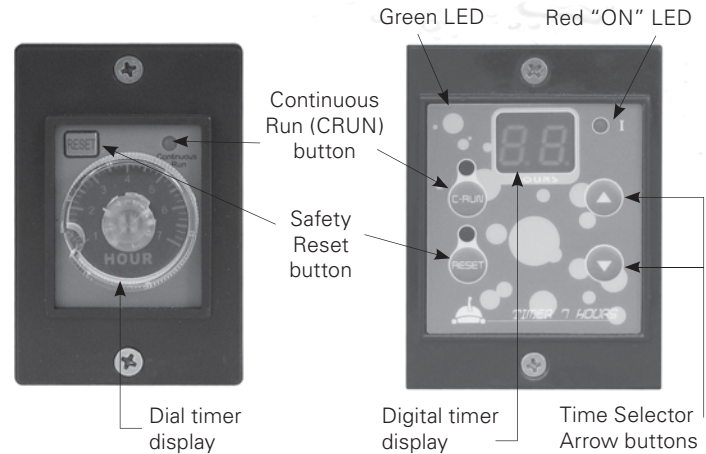
1. With your Power Supply OFF, rotate Dial Timer counterclockwise until you feel it "click".
2. Press the Main Power ON / OFF Switch to "ON". Your cleaner is now set to Continuous Run mode. Your Power Supply will not restart unless plugged into external time source, such as a house-type timer or pool control system.

Digital Timers (Fig. 1b)

1. Turn the Main Power ON / OFF Switch to "ON".
2. Press the "C-Run" (Continuous Run) button until it is lit. Your cleaner is now set to Continuous Run mode.

Figure 1a
(Dial Timer)

Figure 2b
(Digital Timer)



The mode for operating your cleaner should be set after the cleaner has been placed in the pool, the Floating Cable has been plugged into the Power Supply and the Power Supply has been plugged into the Ground Fault Circuit Interrupted (GFCI) / Residual Current Device (R.C.D.) protected 115V electrical outlet with the Power Supply located at least 12 feet / 4 meters from the pool's edge!

Internal Timed Operation

Internal Timed Operation enables owners of cleaner models whose Power Supply are equipped with either Dial or Digital timers to customize their cleaner's automatic operating cycle to clean anywhere from 1 to 7 hours and then automatically shut OFF. Know that the Internal Timed mode will not automatically turn the cleaner back ON.

1. Press the Main Power ON / OFF switch to the "ON" position.
2. Adjust the Timer Control to the desired cleaning time (1 to 7 hours) depending on suggested cleaning cycle for your model, pool size and amount of debris in pool (i.e. more debris = longer cleaning time).

Dial Timers (Fig 1a): Rotate Dial Timer clockwise to increase time (corresponding with the hour represented on the face of the Dial Timer) and counterclockwise to decrease operating time.

Digital Timers (Fig 1b): Press the Time Selector Arrows upwards to increase time or downwards to decrease operating time. Each time you press up or down the digital face will display the number of hours you have selected the timed operation for.

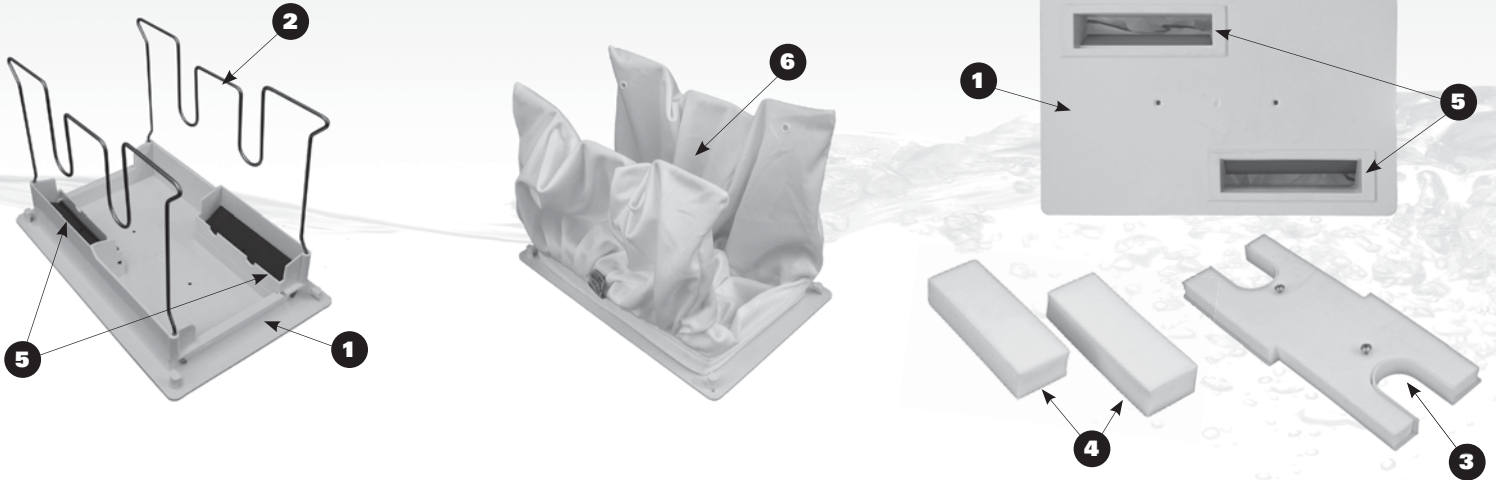
(DIGITAL TIMERS) NOTE: When pressing the Main Power Switch to "ON" should the Green LED above the C-RUN Button blink then the Power Supply is currently set to the External Timed Operation mode and needs to be reset to the Internal Timed Operation mode by doing the following. Press and hold the C-RUN Button for approximately 5 seconds until the Green LED stops blinking and remains off. If it has stopped blinking and is off then the Internal Timed Operation mode is set.

3. Press the Safety Reset Button. Your cleaner is now set to its Internal Timer.

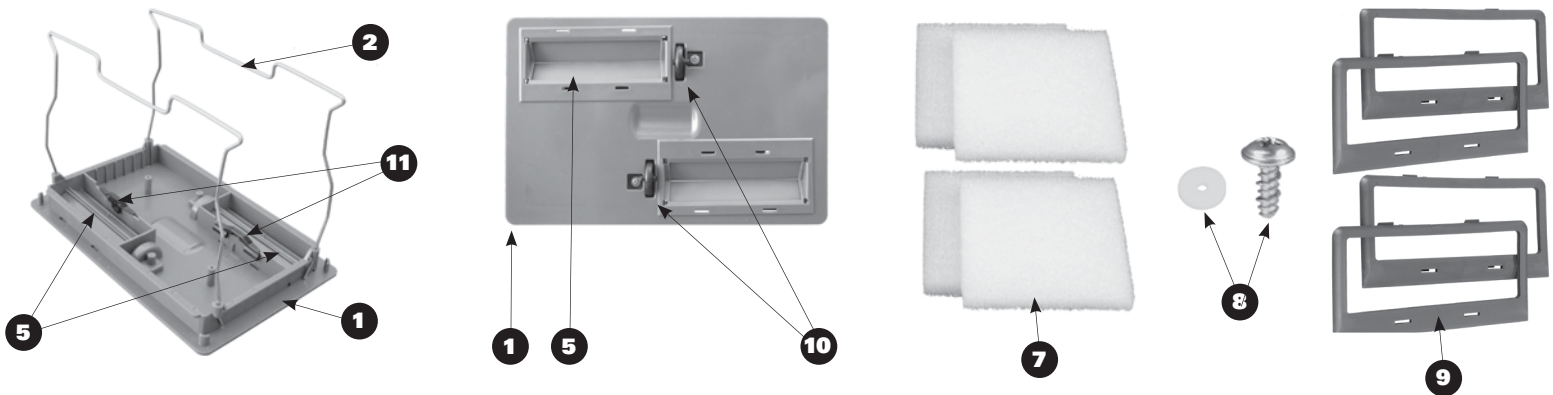
NOTE: Your Power Supply will remain in the Internal Timed Operation mode until you physically reset it to the External Timed Operation mode and will not reset to the External Timed Operation mode even if the power to the Power Supply is turned off or is set to the OFF position.

BOTTOM LID ASSEMBLY

Figure 3 (Standard)



Next Generation Bottom Lid Assembly (Does not fit on all models)



- | | | |
|----------------------------|-------------------------------|-----------------------------------|
| 3.1 Bottom Lid | 3.5 Debris Intake Port / Flap | 3.9 Debris Intake Port Extensions |
| 3.2 Wire Frame Bag Support | 3.6 17 Quart Filter Bag | 3.10 Roller |
| 3.3 "H" - Float | 3.7 Square Floats | 3.11 Suction Selector |
| 3.4 Side Pocket Float | 3.8 Screw & Screw Float | |

NEXT GENERATION BOTTOM LID ASSEMBLY FEATURES

The Bottom Lid Assembly has several options that will permit you to control the way the cleaner operates. For information regarding installation of various parts, refer to the packet inside the cleaner's packaging box.

- Two small wheels (NeverStuck Rollers) are located adjacent to the Debris Intake Valve Ports. This helps your cleaner from becoming stuck on obstacles like main drain convex lights and return fittings. If they are not needed, the "Rollers" may be removed by removing a single phillips screw for each Roller. (Figure 4)
- The Intake Port Extensions (Fig. 3.9) will lower the suction point of the cleaner. The lower the suction point, the greater the suction. Your cleaner comes with two sets of Intake Port Extensions, 1/8" and 1/4". When using the Intake Port Extensions observe the cleaners operation in the pool to see if any raised obstacles, such as main drains, convex lights or return fittings interfere with the "Port Extensions".
- Located on the inside of the Bottom Lid Assembly near the Debris Intake Port is the Suction Selector. If the suction selector is moved towards the "LESS" markings the Intake Port Flaps will be kept from fully opening. This will increase the suction power of the cleaner, but will also restrict larger debris from entering into the filter. (Figure 5)
- Your cleaner offers the best possible performance when it is virtually weightless in your pool. So, careful balancing of its weight is important. Generally, a new cleaner is very light when used for the first time. Careful removal of air trapped in the housing is critical. Additional floatation is typically not required on start-up. Most pool conditions allow your cleaner to effortlessly climb the pool walls and most stairs up to the waterline. In some instances the pool environment (e.g., temperature, chemicals, water, etc.) may offset your cleaner's natural buoyancy. Therefore, four Square Floats have been included in the packaging with your new cleaner to assist with its buoyancy. (Figures 3.7)

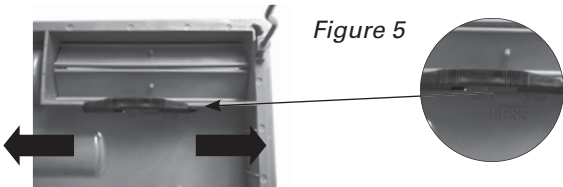


Figure 5

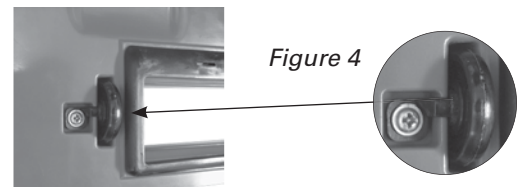


Figure 4

OPERATING INSTRUCTIONS



Never operate your cleaner when it is not totally submersed in the pool water! Doing so may cause severe damage to motors and require costly repairs!

STEP 1

SETTING UP THE POWER SUPPLY

1. Place the Power Supply in a dry, sheltered area at least 10 feet away from the pool. Since the Power Supply is water resistant, not water proof, it should not be left out in the rain or placed in puddles of water.
2. Plug the Power Supply Cord into a 115V, 3-prong grounded GFCI outlet. If an outlet is not close enough, a grounded 115V extension cord may be used to connect to the nearest outlet. (Remember to keep the Power Supply at least 10 feet away from the pool).

IMPORTANT: This pool cleaner system has an internal timer, which will automatically shut off the cleaner after 2 hours of operation. However, the Power Switch will remain in the "ON" position. To re-start the pool cleaner for another cycle, switch the Power Supply "OFF", and then switch it back to the "ON" position and press the Reset Button. Some models are equipped with the ability to connect to and be operated by an external time source, such as an auto-control system for pools or standard plug-in timers. Models with this ability will feature a sticker with the letter "S" on the center face of the Power Supply's Digital Timer. Please refer to "EXTERNAL AUTO TIMER OPERATING INSTRUCTIONS" for detailed instructions of its operation



WARNING! A Ground Fault Circuit Interrupter (GFCI) / Residual Current Device (R.C.D), must be installed to protect your electric outlet and to prevent and possible electrical shock!

STEP 2

PLACING THE CLEANER IN THE POOL

1. Plug the cleaner's Floating Cable into the Power Supply. Be sure that the Power Supply ON/OFF Switch is in the OFF position.
2. Place the cleaner in the pool upside down, gently tilting it side to side to allow any trapped air to escape. Once the air is removed, turn the cleaner right side up and allow the cleaner to sink to the pool bottom, with the wheels down.

NOTE: The cleaner must be completely submersed in the pool water before it is switched on. If the cleaner does not sink it is because air is still trapped inside. Repeat Step 2.

3. Uncoil the Floating Cable that extends from the cleaner's body and spread it over the pool water surface as evenly as possible. If your pool is elongated (rectangular, oval, etc.), place the Floating Cable at the middle of the pool's length to allow adequate cable length to reach the entire pool. Make sure that the Floating Cable is not tangled or kinked.

SETTING THE DIGITAL TIMER

PLEASE READ THE USER MANUAL FIRST

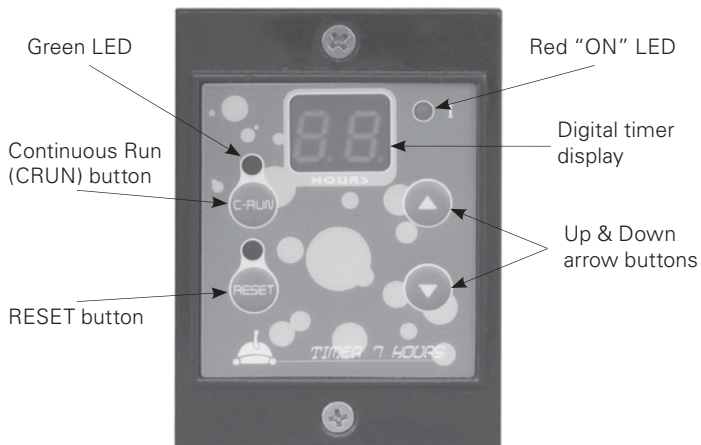
Your Cleaner is equipped with a 90 second DIGITAL TIMER located on the Power Supply. To operate it please do the following:

1. Switch the Power Supply ON pressing the Power Switch to the ON position.. The display will FLASH two horizontal bars.
2. Observe the time required for the machine to move across the pool, at its widest point from one side to another. For details regarding this operation please see the "Operating Instructions" chapter from your User Manual.
3. To override the built-in 2 hour automatic shut-off timer, you may operate your cleaner in "Continuous Run (C-Run)" mode. This will enable your cleaner to operate continuously until either an external time source automatically or someone physically turns the cleaner off. Only models that are equipped with the External Auto Timer feature will be able to automatically restart by an external timer. Models without this feature will remain off. To restart start models without the External Auto Timer feature, simply press the Power Switch to the OFF position and then back to the ON position, then press the "Reset" button on the digital panel of the Power Supply. Your cleaner will commence operation as per the already set 0 to 90 seconds forwards / reverse time cycle.
4. Press the C-RUN button. The machine will start to run and the GREEN LIGHT indicator above the C-RUN button lights up to confirm the operation.
5. Now your unit will work in Continuous Operation Mode and it will stop only when the operator will turn the machine OFF from the main switch.
6. As an option, you can set the machine to turn off automatically after 2 hours. To do so, press the OPT button. The GREEN LIGHT indicator above the OPT button is selected the machine will stop after 2 hours.

PLEASE NOTE: In addition to the user selected operation time, the timer has a default shutdown for 5 seconds every 5 minutes.

CHANGING THE TIME SETTING:

The User can change the time (0-90 seconds) at any time, even as the pool cleaner is operating in the pool. Please keep in mind that whenever the timer is in operation, you will find the LEDs labelled "1" and "0" will be lit alternately. The RED LED "1" indicates that the timer is in operation for the selected (0-90 seconds) time. The GREEN LED "0" indicates that the timer is turned off (for a default 1 second).



CONTINUOUS OPERATION

Press the C-RUN button, both the green LED above the C-RUN button and the Red "ON" LED will illuminate. The Cleaner will now clean your pool until you stop it by switching the Power Supply Switch to the "OFF" position.

TIMED OPERATION

You can control the length of the cleaning cycle by using the control pad on the Power Supply. Press the "UP" arrow button once for each hour of operation you desire (up to 7 hours). When you have selected the proper number of hours, press the RESET button you have set the cleaning time you may add or subtract hours by simply pressing the "UP" or "DOWN" arrow button. This may be done while the cleaner is in operation. The Power Supply will shut down and restart every eight minutes. This feature will help keep the cleaner from becoming stuck in the pool.



WARNING: In "Continuous" mode, the Safety Reset Button is inactive and cannot protect your cleaner from accidental "out of water" starts.



Set the operating mode for your cleaner after the cleaner has been placed in the pool, the Floating Cable from the cleaner has been plugged in to the Power Supply and the Power Supply has been plugged into a GFCI protected 115v electrical outlet.



The Power Supply should be placed in a sheltered area, at least twelve (12) feet away from the pool. While the Power Supply is weather-resistant, it should be placed in an elevated area where it will not sit in puddles of water.

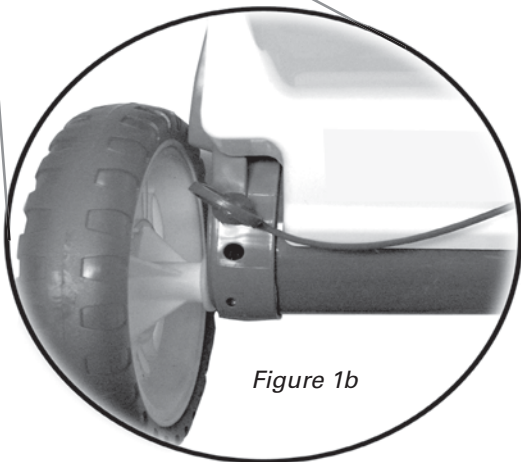
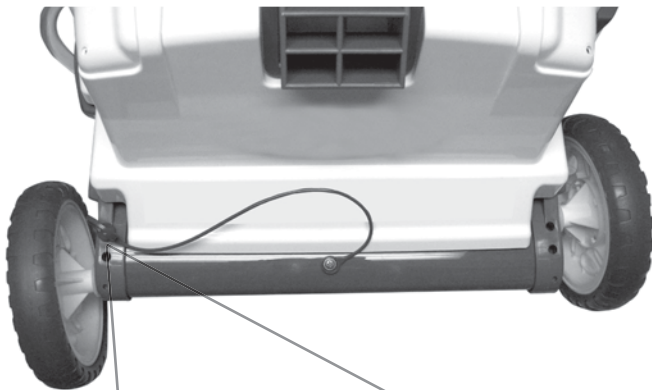
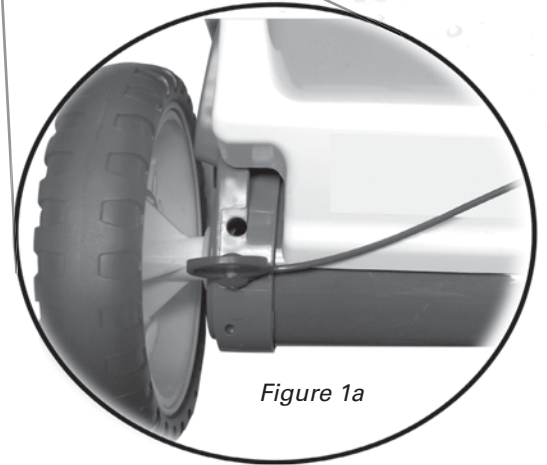
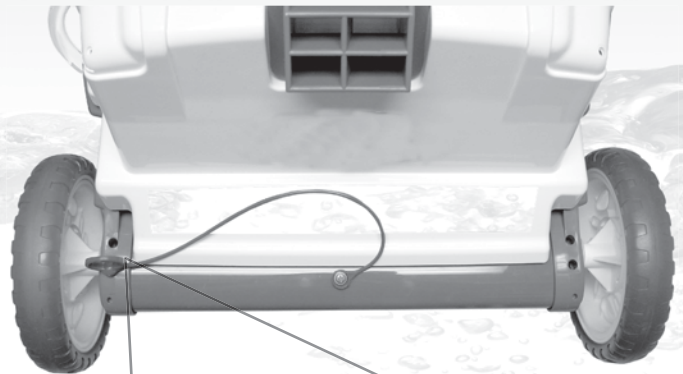
SETTING THE "LOCK PIN" TO CHANGE THE CLEANING PATTERNS

1. Default Lock Pin setting. Your Jet cleaner will travel forward in a straight line, once the Auto Jet Propulsion system changes direction the Jet cleaner will reverse in a slight arc pattern and continue to repeat this cleaning pattern, systematically covering the entire pool floor.

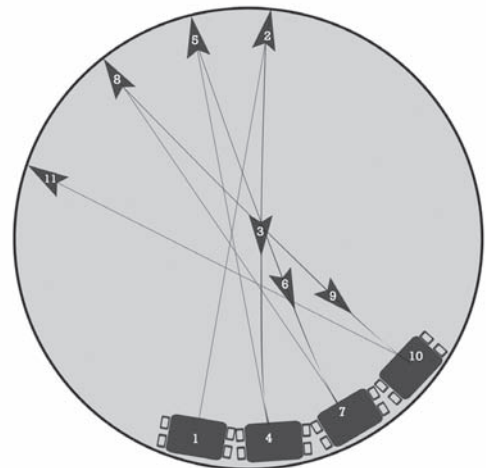
2. Make sure the Lock Pin is securely positioned in the hole provided.

3. To create a tighter arc and adjust the cleaning pattern, remove the Lock Pin from the the forward hole (see fig. 1a) and place the Lock Pin in the second hole provided (see figure 1b). Make sure the Lock Pin is securely positioned in the hole provided.

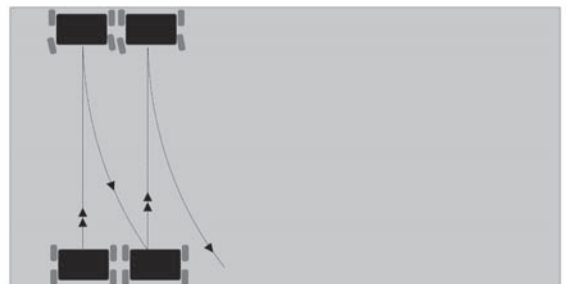
4. The Jet cleaner will now travel forwards in a straight line and will reverse in a tighter arc pattern, therefore creating sharper turning angles and adjusting the cleaning pattern in order to cover the entire pool floor.



CLEANING PATTERN CIRCULAR POOL



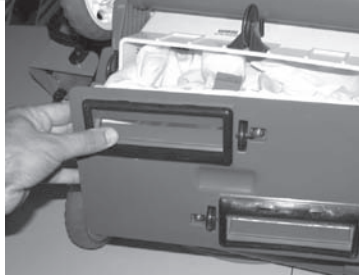
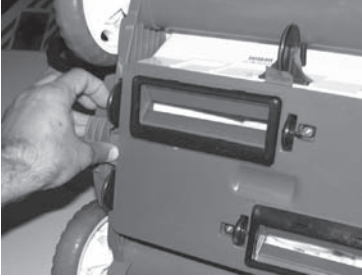
CLEANING PATTERN RECTANGULAR POOL



CLEANER MAINTENANCE - CLEANING AND/OR CHANGING THE FILTER BAG

NOTE: Make sure that the Power Supply is turned OFF and that the cleaner's Floating Cable is unplugged from the Power Supply before removing your cleaner from the pool.

1. Place the cleaner on its back on a non-abrasive surface and release the two Lock Tabs on the underside of the cleaner.
2. Using your thumbs, push the Lock Tabs away from the center of the cleaner to unlock the Bottom Lid Assembly.
3. Remove the Bottom Lid Assembly out from the body of the cleaner.
4. Remove the Filter Bag from the bag support wire frames.



Turn the Filter Bag inside out (the Fine Filter Bag has a soft felt-like surface on the inside) and discard the large debris, and wash off visible dirt using one of the following methods: (a) High pressure with a garden hose (B)Faucet. With any method gently agitate the Bag in your hands to help remove fine particles while wringing, cleaning and squeezing the Bag gently until rinse water is clear. Use of a washing machine (cold water, gentle cycle only) is recommended when visible dirt will not rinse off by other methods. **DO NOT USE DETERGENT or BLEACH! DO NOT MACHINE DRY!**

Turn the Filter Bag "right side out" (felt-like surface on the inside) remount the Bag on the Wire Frames making sure that the Label on the Bag is centered on either of the long sides of the Bottom Lid Assembly directly beneath one of the Wire Frames. At the top, pull, excess Bag toward the middle of each Wire Frame so that the Bag corners are snug against the corners of the Wire Frame W-Shaped Bottom Lid Assemblies: Tuck the excess Bag into the U-shaped section of the Wire Frames.

Re-install the Bottom Lid Assembly. Make sure that neither debris nor the Filter Bag itself interferes with complete closure of the Bottom Lid Assembly. A locking sound from each Lock Tab will be heard when locked properly.

IN-SEASON STORAGE

It is not recommended to leave your cleaner in the pool when not in use. Doing so, will reduce the life of your Filter Bag and pool cleaner. After removing the cleaner from the pool you should clean the Filter Bag and rinse down your entire cleaner to help extend its life and reduce fading. Then, rest the cleaner on its side in a dry, shaded area along with its Power Supply and properly coiled Floating Cable. (see figure 1)

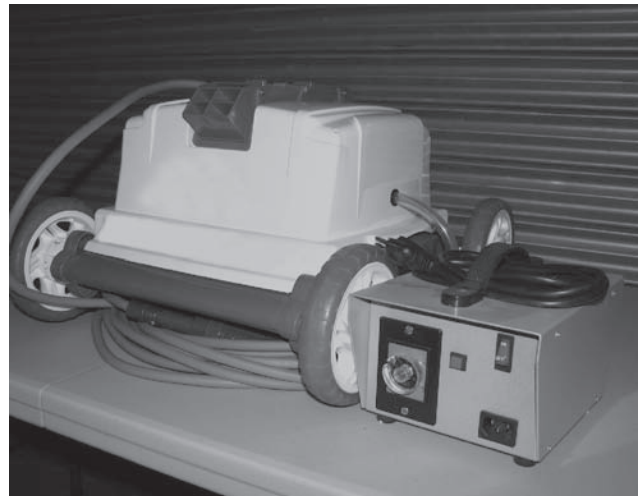
OFF-SEASON STORAGE

In areas where the pool is closed you should remove your cleaner from the pool and thoroughly clean the Filter Bag. Make sure that there is no water in the cleaner. Completely untangle and then properly coil the Floating Cable. Your cleaner and Power Supply should be stored in a dry, protected area away from freezing temperatures. Make sure your cleaner is stored away from any open containers of chlorine and/or other harmful chemicals. (see figure 2)

Figure 1



Figure 2



TROUBLESHOOTING

Should none of the troubleshooting procedures shown below correct your specific issue, please visit our customer service department online to view troubleshooting videos and step-by-step procedures." If none of the detailed instructions and assistance offered online has helped, please feel welcome to contact our customer service department toll-free at 1-800-845-4856 for further assistance. contact our customer service department toll free at 1-800-845-4856.

Slower motion or inefficient vacuuming

- Check to see if the Filter Bag is thoroughly clean. FYI: The Fine Filter Bag is capable of filtering particles 20 times smaller than the naked eye can see. Therefore, thorough cleaning of the bag may be required! NOTE: Use the Fine Filter Bag to trap smaller debris such as algae, bacteria, sand and silt. Use the Mesh Filter Bag to trap larger debris such as leaves, acorns, twigs and pine needles. It may be necessary to rinse with high pressure water and wring the Filter Bag in a bucket of clean water. Rinse, wring, squeeze dry and repeat until the rinse water is clear.
- Check to see if the Intake Valve Flaps Fig. 9 on the bottom of the cleaner are free to open and close. These Flaps should move easily to allow the entry of water and debris.
- If you are not satisfied yet, remove the bag, reinstall the Bottom Lid (without the Bag), and run it in the pool. If the cleaner moves quickly, this is an indication that your Bag is not clean enough, and you must repeat the cleaning instructions until the Bag is clean.

Water flow from the hydroscrub jet tubes (Fig 2.6) have no pressure or water coming out from them

- Check clear vinyl tubing for obstructions, or blockages. Remove the Bottom Lid Assembly. Then remove the tubing from the pump housing by gently pulling the tubing from the pump. The tube is not glued in place. After the tube is removed, you can clear blockage by running water through the tube using the pressure from a garden hose. Be sure to replace the tubing securely.

Does not cover the entire pool

- Adjust the timing cycle on the Power Supply so that the cleaner reaches the other side of the pool (preferably to waterline) and remains there for approximately 2 seconds before changing direction.
- Check to see if the Filter Bag is clean and not clogged with debris. (Especially fine dirt)
- Check to see if the wheel rotation and axle movement is free of obstructions like hair, string or accumulated debris.
- Check to see if the Floating Cable has adequate length to reach all sides of the pool and is not tangled, or hooked, as this will limit the movement of the cleaner.

Does not reverse direction

- Take a garden hose with high pressure, spray into the Valve Housing at each Valve Port opening. Fig. 2.9 This should free the Jet Valve System of any debris. If this does not solve the problem, there is most likely debris wrapped around the Propeller beneath the Jet Valve or between the Valve Flap and the Valve Housing wall, proceed below to "Cleaning The Propeller".

Cleaning The Propeller

- Remove valve outlet (2 horizontal screws). Fig. 2.8
- Bend a common "giant" paper clip into a hook as shown in Fig. 16 and push the center flap of the Valve Housing with your finger to open it and look into the Propeller. You may find debris like hair, string, or a small twig caught in the Propeller. Use your paper clip to hook or free the debris, and remove it as shown in. Fig. 18

Reverses before reaching the opposite end of the pool

- Turn the Time Control Dial (located on the Power Supply) clockwise a few degrees to increase the time between reversals. Repeat if necessary.
- Check to see if the Filter Bag is thoroughly clean and installed properly.

Waits too long at the side of the pool before reversing

Turn the Time Control Dial on the Power Supply counter-clockwise a few degrees. Repeat if necessary.

Floating cable is twisting

- Your new pool cleaner was designed to clean most pools without issue, but some pool shapes may cause the Floating Cable to coil, or tangle. This cleaner operates in a systematic cleaning pattern that varies in nature. This may cause the Floating Cable to twist. For this reason we have added a new feature to your cleaner. This patented feature will allow you to untwist your Cable easily. Disconnect the Power Supply Cord from the Power Supply, place your cleaner on the ground outside of the pool perpendicular to you. Fig. 17 At the end of the Power Cable, located near the connection plug to the Power Supply, is a plastic handle. Fig. 15 Grab the handle firmly as shown in the illustration below. Walk away from the cleaner while pulling the handle. This will cause the Cable to rotate within the plastic handle and force the Cable to untwist itself. For best results remember to pull the handle until the Cable is completely untwisted.

MAKE A RECORD FOR FUTURE USE

MODEL _____

PURCHASE DATE _____

PLACE PURCHASED _____

SERIAL NUMBER _____

NOTE: Serial number can be found on the warranty card, the packing carton and your cleaner.

QUESTIONS?

Contact the Retailer you purchased your cleaner from or visit the Manufacturer online at www.AquaProducts.com

LIVE TECHNICAL SUPPORT (NORTH AMERICA)

1-800-845-4856

June - August

9:00am - 8:00pm (Mon. - Fri.)

9:00am - 1:00pm (Sat.)

September - April

9:00am - 5:00pm (Mon. - Fri.)

(All Times are Eastern Standard Time Zone)

ONLINE TECHNICAL SUPPORT AND PRODUCT INFORMATION

www.AquaProducts.com/Service

ADDITIONAL NOTES:



DO NOT RETURN CLEANER TO DEALER

If you have a technical service issue
**PLEASE REFER TO THIS MANUAL OR
CONTACT AQUA PRODUCTS**
to receive a
Return Merchandise Authorization (RMA) number
1-800-845-4856
www.AquaProducts.com/Service