

Premium **BLUE**

BY WATERWAY



CARTRIDGE STANDARD SYSTEM OWNER'S MANUAL

PREMIUM BLUE CARTRIDGE FILTER SYSTEM OWNER'S MANUAL

Our Premium Blue Cartridge Filter System is shipped from Waterway complete with everything you need right in the box. Assemble filter system only after above-ground pool is installed. Fill pool with water. Do not raise water level above pool return line.

The pool equipment should be located between pool skimmer and return line. The filtration system should not be closer than 2 ft. and not further than 5 ft. from the pool. The Premium Blue Cartridge Filter System needs to be on a completely flat surface (e.g. patio block, cement slab, etc.). The pump will require a 110 volt/20 amp service.



WARNING: A GFCI is required. Follow national and local building and safety codes.

Before opening shipping carton, make sure box is in the upright position. Inside the carton, you will find:

1. One base
2. One pump (packaged in separate box)
3. One filter
4. Two lengths of 6 ft. hose
5. One bag with fittings
6. One 6" trap (Detail 1)

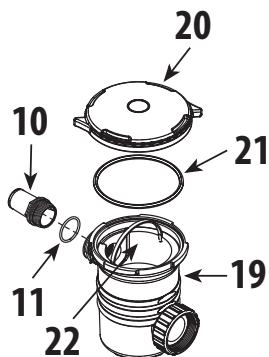
INSTALLATION INSTRUCTIONS



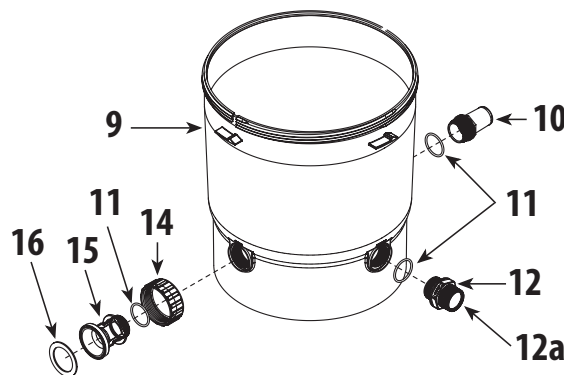
WARNING! READ ALL INSTRUCTIONS AND WARNING LABELS BEFORE OPERATING FILTER!

1. Place filter and base on a level, secure surface. Place the pump on the base to the left of the filter. The pump should now be facing the filter marked "Inlet". There is no need to disassemble filter or pump assemblies.
2. Open pump trap lid and remove 2" gasket. Place 2" gasket into union nut. Hand tighten union nut to suction side of pump (Detail 5).
3. Secure pump to the base using the pin & anchor assemblies (Detail 4).
4. Open fittings bag and remove coupling assembly (Detail 2). Assemble 2" gasket, coupling, coupling O-Ring, and 2" union nut, and thread into inlet side of filter.
5. Thread 2" union nut to pump discharge (Detail 3). Thread hose adapter with O-Ring, to pump trap suction side (Detail 1).
6. From the fittings package, remove 1½" hose adapter and O-ring (Detail 2). Thread into the outlet side of the filter tank.
7. Remove 4 hose clamps from the fittings bag. Select one of the hose lengths and slip one clamp over the end of hose adapter. Place the end of the hose on to the hose adapter (pump suction) and the other end to the hose adapter end of the pool skimmer. Repeat steps with filter outlet to pool return.
8. Remove the Lid Handle (#4a) from the fittings bag and attach it to the top of the Lid Assembly (#4) as shown (Detail 6). Secure Filter to Filter Base using #16a Phillips Head Screws (2) (Detail 7 & 8). Fill pool until water level is halfway up length of skimmer throat.
9. Open air release knob. Plug in and turn on pump. Air will pass out of the filter through the air release knob. Once water discharges from knob, close it.

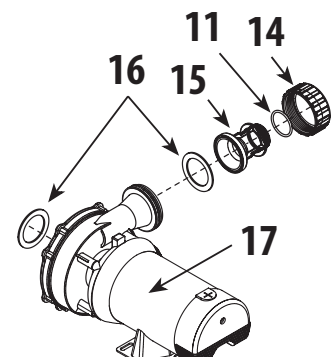
NOTE: To remove Lid Assembly, take off Filter Nut (#6) insert Filter Wrench (#9a) in notch between Filter Body (#9) and Lid Assembly (#4) twist and separate as shown in Detail 7.



DETAIL 1



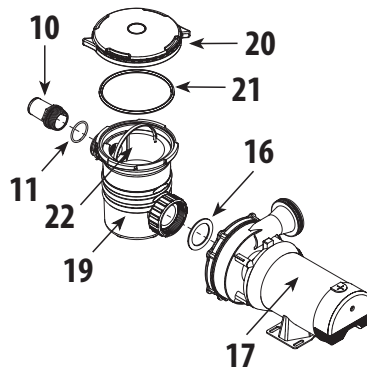
DETAIL 2



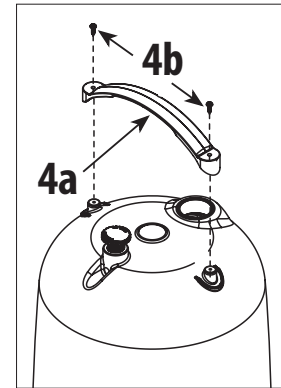
DETAIL 3

PREMIUM BLUE CARTRIDGE FILTER SYSTEM REPLACEMENT PARTS

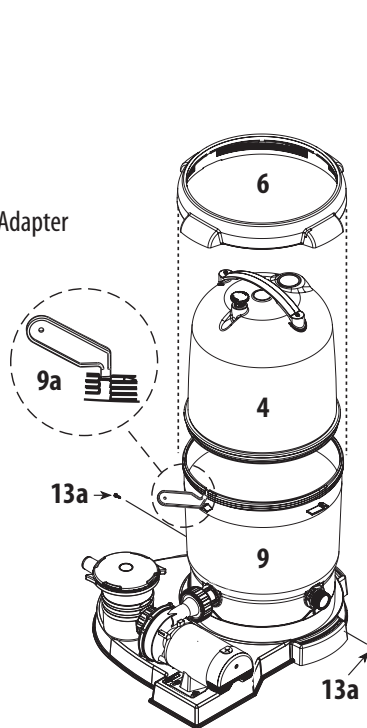
Item	Part No.	Description
1	830-4000SS	Pressure Gauge
1a	519-7431	Fitting Adapter - Pressure Gauge
1b	805-0117SD	O-Ring
2	602-0201	Air Relief Plug
3	805-0207	O-Ring - Air Relief
4	511-7327	Lid Assembly - Small (75/100 sq. ft.)
	511-7337	Lid Assembly - Large (150/200 sq. ft.)
4a	519-7601	Lid Handle
4b	819-9002	#12 x 3/4" S/S Phillips Head Screw
5	805-0460	Lid O-Ring
6	718-7251	Filter Nut (sold with Lid Assembly only)
6a	519-7451	Handle Assembly (2)
7	519-7441	Wing Nut
8	817-0075P	Cartridge - 75 sq. ft.
	817-0100P	Cartridge - 100 sq. ft.
	817-0150N	Cartridge - 150 sq. ft.
	817-0200N	Cartridge - 200 sq. ft.
9	515-7257	Body - Filter Bottom
9a	519-7470	Filter Wrench (see Detail 7)
10	417-6240	1 1/2" MPT x 1 1/2" Male Smooth Hose Adapter
11	805-0224	O-Ring
12	500-5300	Drain Assembly
12a	505-2030	Drain Cap
13	672-7401	Base
13a	819-0004	#10 x 1" S/S Phillips-head Screw
14	415-5001	2" Union Nut
15	419-7241	Coupling
16	711-4010	2" Union Gasket
17	SGPH1100	1 HP - 1-Speed Pump
	SGPH1150	1 1/2 HP - 1-Speed Pump
	SGPH1200	2 HP - 1-Speed Pump
	SGPH2100	1 HP - 2-Speed Pump
	SGPH2150	1 1/2 HP - 2-Speed Pump
	SGPH2200	2 HP - 2-Speed Pump
18	429-7221	Pin & Anchor Assembly
19	310-6500	6" Trap - 1 1/2" Buttress x 2" Flange
20	319-3260	6" Trap Lid
21	805-0436	O-Ring
22	319-3230	6" Basket Assembly



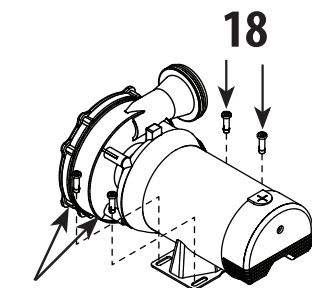
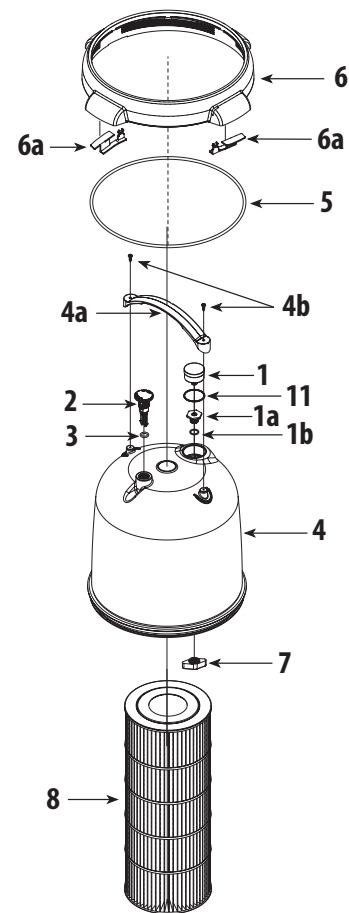
DETAIL 5



DETAIL 6

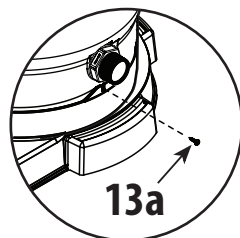


DETAIL 7

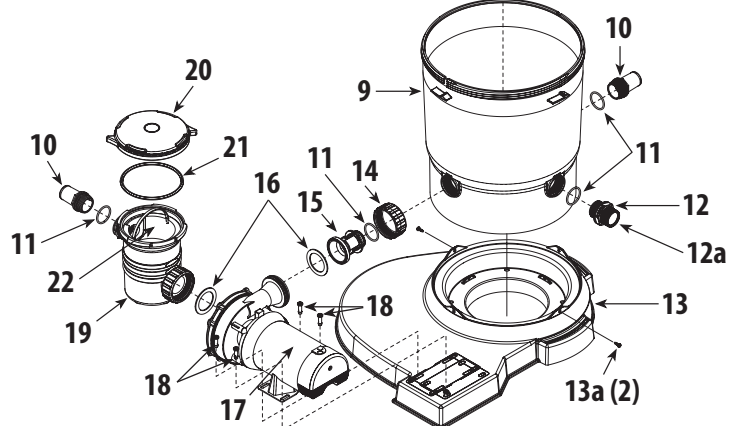


18

DETAIL 4



DETAIL 8



CLEANING INSTRUCTIONS

If the pressure gauge on your filter reads 5 PSI or higher than the original starting pressure, the filter needs to be cleaned. The Premium Blue Cartridge Filter System features the exclusive 1-2-3 Safety Locking System to ensure safe and simple filter maintenance.

1. Turn off pump. **WARNING: Never attempt to clean filter while pump is running. This is a pressurized vessel. It could cause severe injury or harm to your person.** Plug skimmer and pool return lines or drain pool water level to below pool return line.
2. Slowly open the air release knob on top of filter until the pressure gauge reads "0". Open drain cap at bottom of filter and allow water to flow.

3. Press the yellow safety latch on the underside of the locking nut and turn the nut counterclockwise to remove the lid. Rinse the cartridge element with a garden hose. There is no need to remove the element from the filter.
4. Reassemble lid and follow start-up procedures from original instructions.

My Original Starting Pressure is _____ PSI (Pounds per Square Inch). I should clean the filter at _____ PSI.

LIMITED WARRANTY

Waterway Plastics manufactures its products and equipment in accordance with very high standards of workmanship. We use the best materials available and maintain the highest quality procedures practical in the industry. In accordance, Waterway warrants its products as follows:

All plastic parts such as jets, valves, skimmers, manifolds, suction, lights and other plastic components manufactured by Waterway are warranted to be free of defects in workmanship and materials for a period of 36 months from the date of purchase. This warranty does not cover o-rings, light bulbs, filter cartridges, D.E. grids, pressure gages or any parts not manufactured by Waterway. Warranty applies to OEM's and Distributors of Waterway Products.

Hi-Flo Pumps will receive limited warranty from any defect in material or workmanship of 18 months from the date of manufacture. This includes the motor but not the motor seal.

All thermoplastic molded filter bodies and rotational molded sand filter bodies have a warranty of three years from the date of purchase on a prorated life basis (to the original owner only). If a defect becomes apparent during the first year, the body will be exchanged for a new body if the defects are determined by Waterway to be the responsibility of Waterway Plastics. If a defect becomes apparent after the first year from the date of manufacture which, in the opinion of Waterway, will require replacement, the body will be

exchanged for a new tank on an adjusted service pro-rata life basis. Charges to the owner, on the pro-rata life basis, will be determined by the actual number of months installed beginning with the date of installation.

Products that fail or become defective during the warranty period, except as a result of improper installation, bad water chemistry, accidents or negligence on behalf of the owner, freezing, earthquakes, fire floods, or other acts of nature, shall be repaired or replaced at Waterway's option without charge to the owner. This process will be completed within 90 days of receipt of the defective product barring delays caused by the acquisition of component parts not manufactured at our facility.

To obtain warranty replacements or repair, defective products should be returned (transportation paid) to the place of purchase, or to Waterway. It should include a description of the defect and the circumstances surrounding the incident or problem.

Waterway shall not be responsible for cartage, removal and/or reinstallation labor, or any other such costs incurred in obtaining warranty replacements. Warranty applies to OEM's and Distributors of Waterway Products.

This warranty gives you specific legal rights. You may also have other rights which vary from state to state.



© 2011 Waterway Plastics

Waterway™

2200 East Sturgis Road, Oxnard, CA 93030 • Ph. (805) 981-0262 • Fax (805) 981-9403
www.waterwayplastics.com • waterway@waterwayplastics.com

810-0076-PS.0411