



# Jandy® AquaLink® RS PureLink™ Power Center and Chlorine Generator Control Center Replacement Kit

## WARNING

**FOR YOUR SAFETY** - This product must be installed and serviced by a contractor who is licensed and qualified in pool equipment by the jurisdiction in which the product will be installed where such state or local requirements exist. In the event no such state or local requirement exists, the maintainer must be a professional with sufficient experience in pool equipment installation and maintenance so that all of the instructions in this manual can be followed exactly. Before installing this product, read and follow all warning notices and instructions that accompany this product. Failure to follow warning notices and instructions may result in property damage, personal injury, or death. Improper installation and/or operation will void the warranty.

Improper installation and/or operation can create unwanted electrical hazard which can cause serious injury, property damage, or death.

**These instructions are to be used with the following Jandy Replacement Kits:**

- R0447300-- Battery Door, PureLink Power Center, R-kit**
- R0447500-- Wiring Harness, PureLink Power Center & Chlorine Generator Control Center, R-Kit**
- R0467400-- AquaPure® User Interface Assembly, PureLink™ Power Center & Chlorine Generator Control Center, R-Kit**
- R0467600-- AquaPure Power Interface Assembly, PureLink Power Center & Chlorine Generator Control Center, R-Kit**
- R0467700-- AquaLink RS Bezel Plate Kit, PureLink Power Center, R-Kit**
- R0467800-- Hardware, PureLink Power Center & Chlorine Generator Control Center, R-Kit**
- R0503300-- Battery Door, Chlorine Generator Control Center, R-Kit**
- R0503400-- Face Plate, Chlorine Generator Control Center, R-Kit**
- R0562100-- AquaLink RS Bezel Plate Kit, PureLink Power Center, 08/09 Models or Later, R-Kit**

## WARNING

If the information in these instructions is not followed exactly, an electrical fire or shock hazard may result causing property damage, personal injury or death.

### 1. Introduction

This document gives instructions for replacing the following items:

- Chlorine Generator Face Plate R-Kit
- Battery Door R-Kit
- DC Wiring Harness R-Kit
- AquaPure User Interface R-Kit
- AquaPure Power Interface R-Kit
- Bezel Support Plate R-Kit
- Hardware Kit

Before starting this procedure, use the parts list of each kit to identify the parts that are in your kit. If any parts are missing from the kit, please call your local Jandy distributor for assistance.

For technical assistance, please contact our Technical Support Department at (800) 822-7933.

These instructions must be followed exactly. Read through the instructions completely before starting the procedure. Please save these instructions.

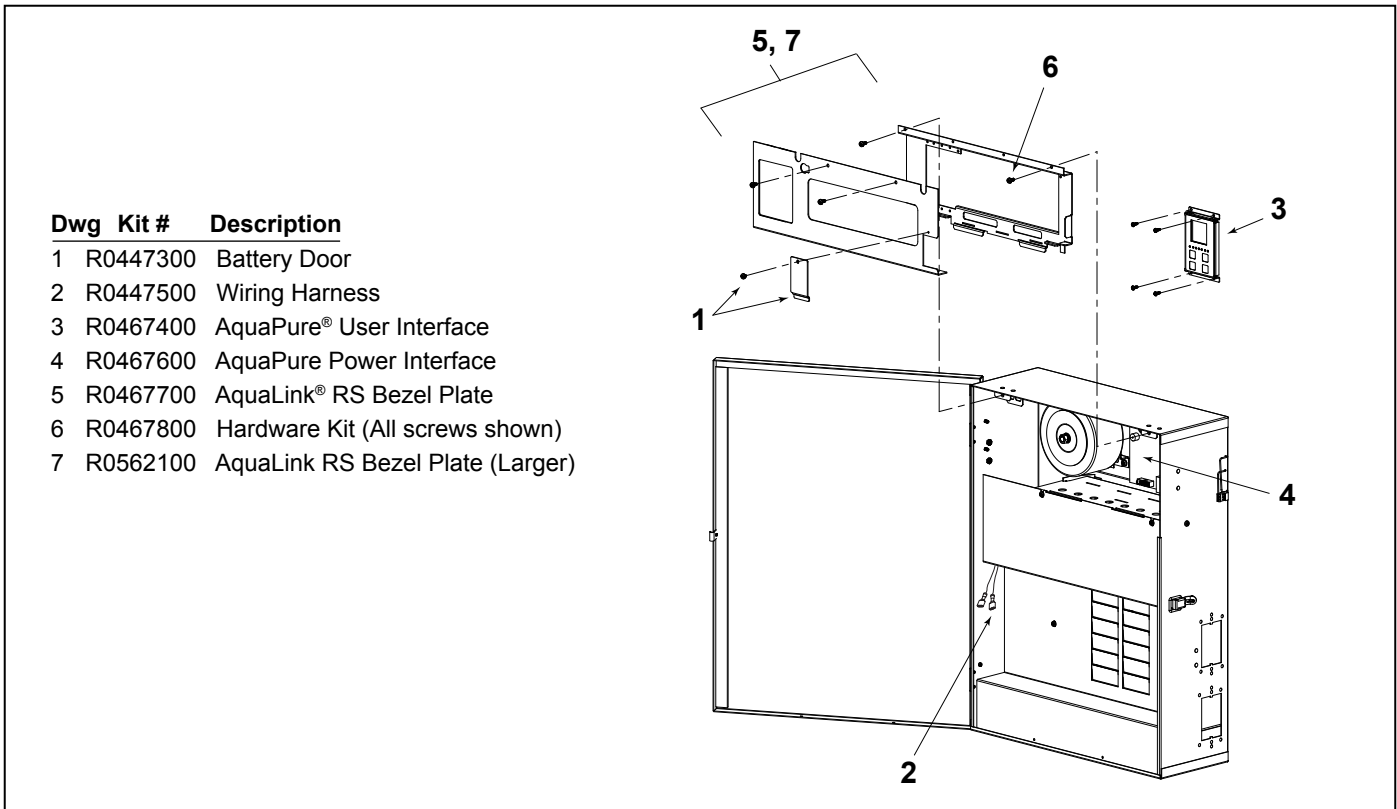


Figure 1. AquaLink RS PureLink™ Power Center

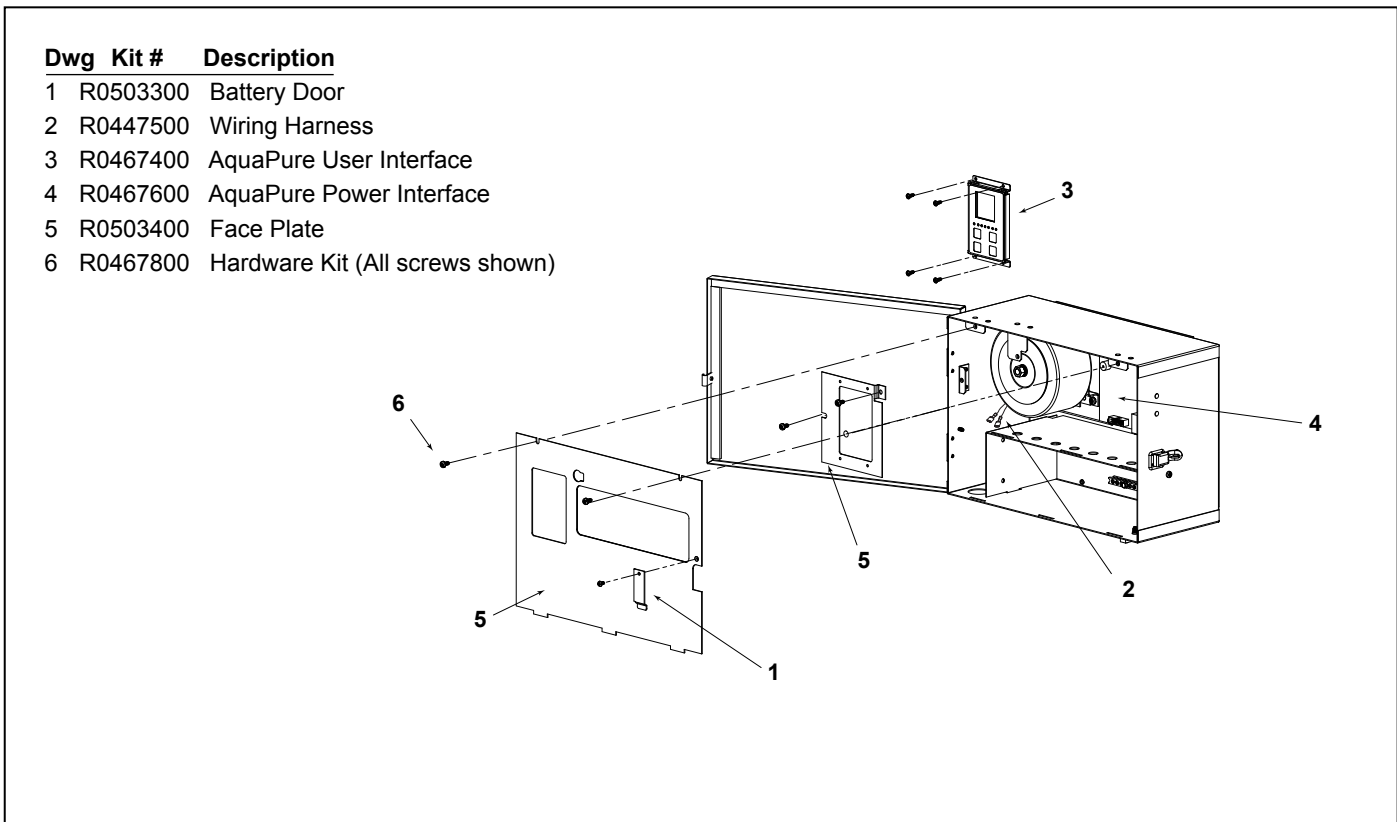


Figure 2. Chlorine Generator Control Center

## 2. Installation of the AquaLink® RS PureLink™ Power Center Battery Door

Parts List for Battery Door Kit, R0447300--	
Description	Qty
Battery Door, PureLink Power Center	1
Screw, Battery Cover (#8-32 x 3/8)	1

1. Remove the screw from battery door. See Figure 3.
2. Remove the battery door.
3. Replace the battery door and the screw.

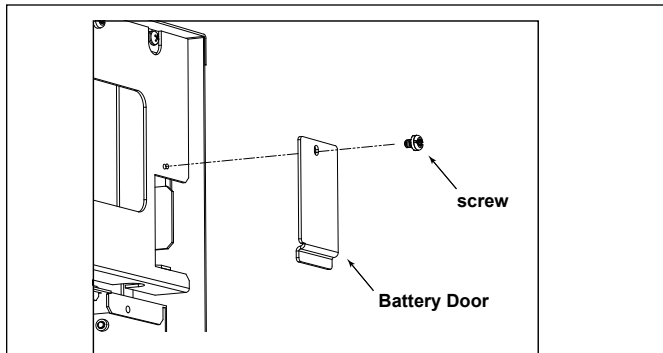


Figure 3. PureLink Power Center Battery Door

## 3. Installation of the Chlorine Generator Control Center Battery Door

Parts List for Battery Door Kit, R0503300--	
Description	Qty
Battery Door, PureLink Power Center	1
Screw, Battery Cover (#6-32 x 1/4)	1

1. Remove the screw from battery door. See Figure 4.
2. Remove the battery door.
3. Replace the battery door and the screw.

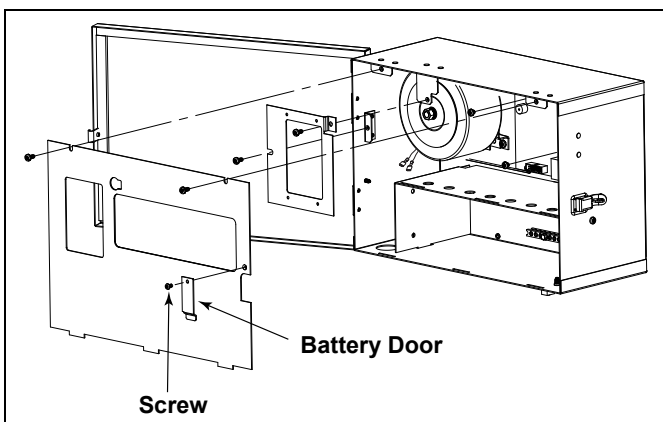


Figure 4. Chlorine Generator Control Center Battery Door

## 4. Installation of the AquaLink RS Bezel Plate Kit

Parts List for AquaLink RS Bezel Plate Kit, R0467700--		
Key #	Description	Qty
1	Bezel Cover Plate, PureLink	1
2	Bezel Support Plate, PureLink	1
3	Battery Cover, PureLink	1
4	Screws, Plate & Support (Lock, #8-32 x 3/8)	4
5	Screw, Battery Cover (#8-32 x 1/4)	1
6	Screws, AquaLink PCB (Lock, #8-32 x 1/2)	2

1. Turn off all power to the power center.

### **⚠ WARNING**

**Risk of Electric Shock which can result in Serious Injury or Death.** Before attempting installation or service, ensure that all power to the circuit supplying power to the system is disconnected or turned off at the circuit breaker.

All wiring must be done in accordance with the National Electric Code® (NEC), NFPA-70. In Canada, the Canadian Electrical Code® (CEC), CSA C22.1, must be followed. All applicable local installation codes and regulations must be followed.

2. Open the door to the power center.
3. Remove the top two (2) middle screws that secure the bezel cover plate to the power center. Remove the cover plate. See Figure 5.
4. Disconnect the red four-pin connector from the red terminal bar located on the AquaLink RS PCB.
5. Remove other wires attached to the AquaLink RS PCB, noting location of auxiliary connections for replacement.
6. Remove the two (2) screws that secure the AquaLink RS PCB then remove the PCB.
7. Remove the top two (2) outer screws and remove the support plate by pulling it up and out to detach it from the power center.
8. Install the new parts and re-assemble in reverse order.

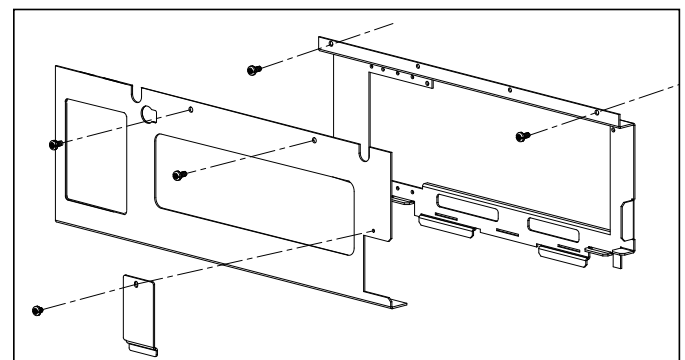


Figure 5. PureLink Power Center Bezel Plate

## 5. Installation of the AquaLink RS Bezel Plate Kit, 08/09 Models or Later

Parts List for AquaLink RS Bezel Plate Kit, R0562100--		
Key #	Description	Qty
1	Bezel Cover Plate, PureLink (Larger)	1
2	Bezel Support Plate, PureLink (Larger)	1
3	Battery Cover, PureLink	1
4	Screws, Plate & Support (Lock, #8-32 x 3/8)	4
5	Screw, Battery Cover (#8-32 x 1/4)	1
6	Screws, AquaLink PCB (Lock, #8-32 x 1/2)	2

1. Turn off all power to the power center.

### **⚠ WARNING**

**Risk of Electric Shock which can result in Serious Injury or Death.** Before attempting installation or service, ensure that all power to the circuit supplying power to the system is disconnected or turned off at the circuit breaker.

All wiring must be done in accordance with the National Electric Code® (NEC), NFPA-70. In Canada, the Canadian Electrical Code® (CEC), CSA C22.1, must be followed. All applicable local installation codes and regulations must be followed.

2. Open the door to the power center.
3. Remove the top two (2) middle screws that secure the bezel cover plate to the power center. Remove the cover plate. See Figure 6.
4. Disconnect the red four-pin connector from the red terminal bar located on the AquaLink RS PCB.
5. Remove other wires attached to the AquaLink RS PCB, noting location of auxiliary connections for replacement.
6. Remove the two (2) screws that secure the AquaLink RS PCB then remove the PCB.
7. Remove the top two (2) outer screws and remove the support plate by pulling it up and out to detach it from the power center.
8. Install the new parts and re-assemble in reverse order.

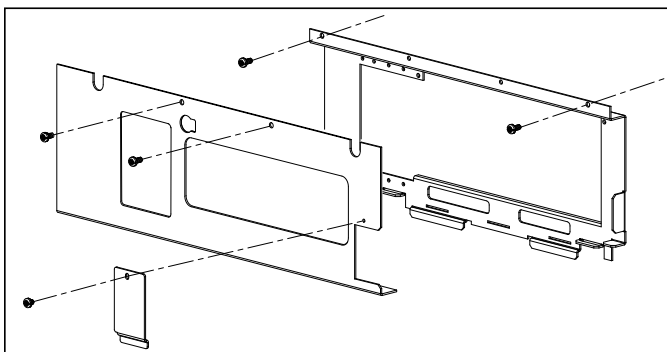


Figure 6. PureLink Power Center Bezel Plate, 08/09 Models or Later

## 6. Installation of the Chlorine Generator User Interface Assembly into the PureLink™ Power Center

Parts List for Chlorine Generator User Interface Kit, R0467400--	
Description	Qty
User Interface Assembly	1
Screws	4

1. Turn off all power to the power center.

### **⚠ WARNING**

**Risk of Electric Shock which can result in Serious Injury or Death.** Before attempting installation or service, ensure that all power to the circuit supplying power to the system is disconnected or turned off at the circuit breaker.

All wiring must be done in accordance with the National Electric Code® (NEC), NFPA-70. In Canada, the Canadian Electrical Code® (CEC), CSA C22.1, must be followed. All applicable local installation codes and regulations must be followed.

2. Open the door to the power center.
3. Remove the top two (2) middle screws that secure the cover plate to the power center. Remove the cover plate.
4. Remove the four (4) screws that secure the user interface assembly to the bezel. Remove the user interface.
5. Disconnect the ribbon cable (16-pin J1 connector) from the back of the user interface board. See Figure 7.
6. Install the new user interface assembly and re-assemble in reverse order.

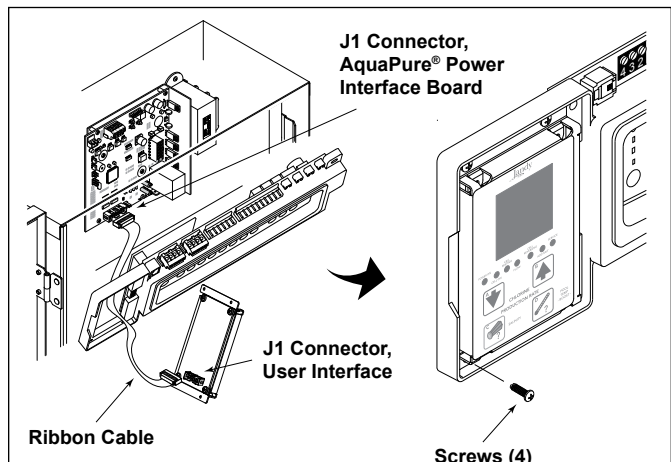


Figure 7. Chlorine Generator User Interface Installation

## 7. Installation of the Chlorine Generator User Interface Assembly into the Chlorine Generator Control Center

Parts List for Chlorine Generator User Interface Kit, R0467400--	
Description	Qty
User Interface Assembly	1
Screws	4

1. Turn off all power to the control center.

**⚠ WARNING**

**Risk of Electric Shock which can result In Serious Injury or Death.** Before attempting installation or service, ensure that all power to the circuit supplying power to the system is disconnected or turned off at the circuit breaker.

All wiring must be done in accordance with the National Electric Code® (NEC), NFPA-70. In Canada, the Canadian Electrical Code® (CEC), CSA C22.1, must be followed. All applicable local installation codes and regulations must be followed.

2. Open the door to the control center.
3. Remove the top two (2) screws that secure the cover plate to the control center. Remove the cover plate. See Figure 8.
4. Remove the four (4) screws that secure the user interface assembly to the mounting bracket. Remove the user interface.
5. Disconnect the ribbon cable (16-pin J1 connector) from the back of the user interface board. See Figure 8.
6. Install the new user interface assembly and re-assemble in reverse order.

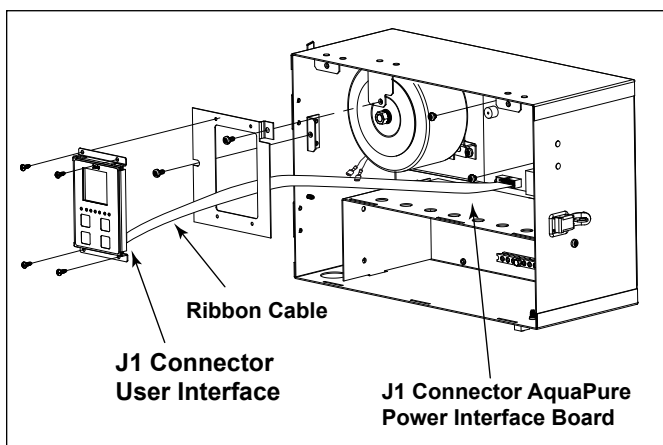


Figure 8. Chlorine Generator User Interface Installation

## 8. Installation of the Power Interface Board into the PureLink™ Power Center

Parts List for AquaPure® Power Interface Board, PureLink Power Center, R0467600--	
Description	Qty
AquaPure Power Interface Board, PureLink Power Center	1

The AquaPure power interface board is configured as Model AP1400 by factory default. However, the power interface board can be configured as Model AP700.

To configure the board as Model AP700, use a cutting plier to cut the JL1 jumper as shown in Figure 9.

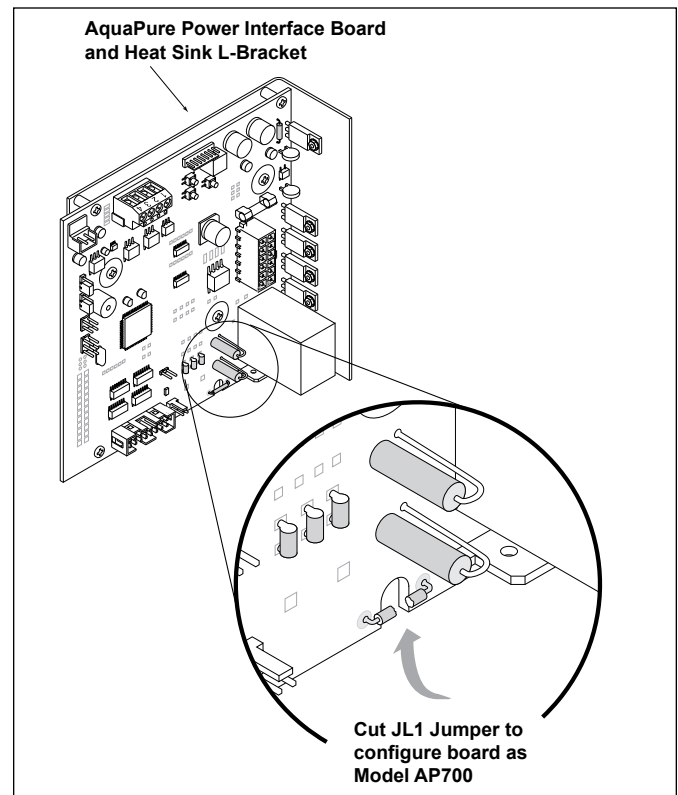


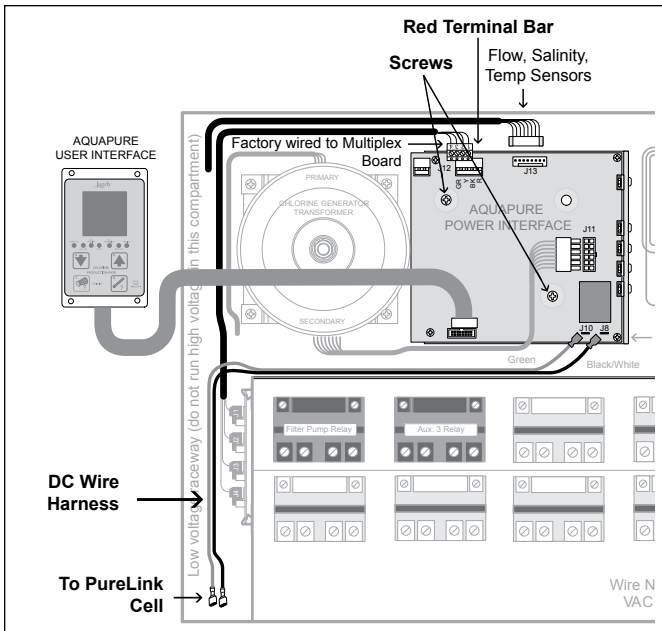
Figure 9. AquaPure® Power Interface Board

1. Turn off all power to the power center.

**⚠ WARNING**

**Risk of Electric Shock which can result In Serious Injury or Death.** Before attempting installation or service, ensure that all power to the circuit supplying power to the system is disconnected or turned off at the circuit breaker.

All wiring must be done in accordance with the National Electric Code® (NEC), NFPA-70. In Canada, the Canadian Electrical Code® (CEC), CSA C22.1, must be followed. All applicable local installation codes and regulations must be followed.



**Figure 10. PureLink Power Interface Board and DC Wiring Harness**

2. Open the door of the power center.
3. Remove the top two (2) outer screws that secure the bezel plate assembly to the power center.
4. Fold down the AquaLink® RS support plate and expose the AquaPure power interface board. See Figure 7.
5. Disconnect the red four-pin connector from the red terminal bar located on the power interface board. See Figure 10.
6. Disconnect the cable from the power interface board that leads to the user interface assembly.
7. Disconnect the cable from the power interface board that leads to the AquaPure sensor.
8. Disconnect the cable from the power interface board that leads to the transformer.
9. Disconnect the DC wiring harness from the power interface board.
10. Remove the two (2) center screws that secure the power interface board to the power center can. Remove the power interface board.
11. Install the new power interface board and reconnect cables and connectors in reverse order.

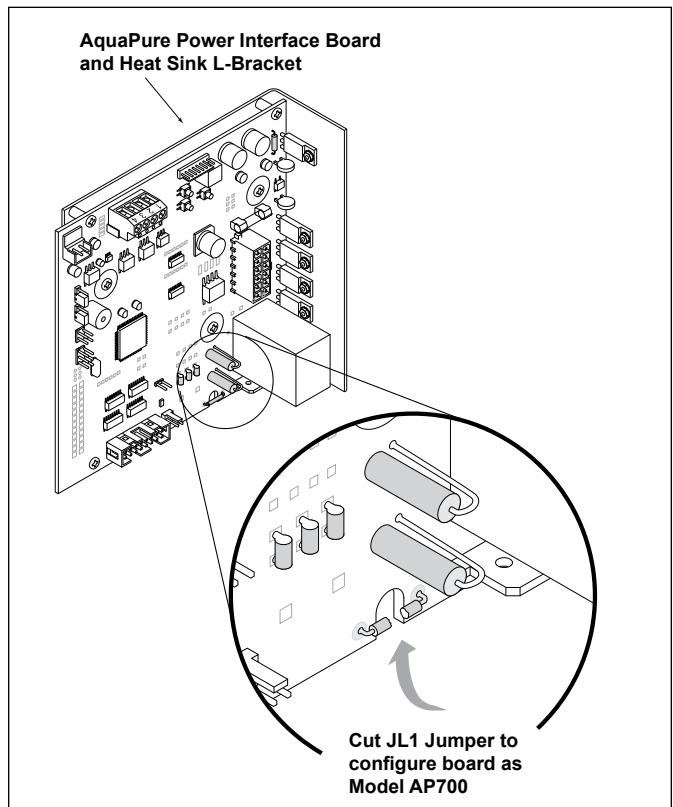
## 9. Installation of the Power Interface Board into the Chlorine Generator Control Center

### Parts List for AquaPure® Power Interface Board, Chlorine Generator Control Center, R0467600--

Description	Qty
AquaPure Power Interface Board, Control Center	1

The AquaPure power interface board is configured as Model AP1400 by factory default. However, the power interface board can be configured as Model AP700.

To configure the board as Model AP700, use a cutting plier to cut the JL1 jumper as shown in Figure 11.



**Figure 11. AquaPure® Power Interface Board**

1. Turn off all power to the control center.

**⚠ WARNING**

**Risk of Electric Shock which can result In Serious Injury or Death.** Before attempting installation or service, ensure that all power to the circuit supplying power to the system is disconnected or turned off at the circuit breaker.

All wiring must be done in accordance with the National Electric Code® (NEC), NFPA-70. In Canada, the Canadian Electrical Code® (CEC), CSA C22.1, must be followed. All applicable local installation codes and regulations must be followed.

2. Open the door of the control center.
3. Remove the top two (2) screws that secure the cover plate to the control center. Remove the cover plate. See Figure 4.
4. Disconnect the cable from the power interface board that leads to the user interface assembly.
5. Disconnect the cable from the power interface board that leads to the AquaPure sensor.
6. Disconnect the cable from the power interface board that leads to the transformer.
7. Disconnect the DC wiring harness from the power interface board.
8. Remove the two (2) center screws that secure the power interface board to the control center can. Remove the power interface board.
9. Install the new power interface board and reconnect cables and connectors in reverse order.

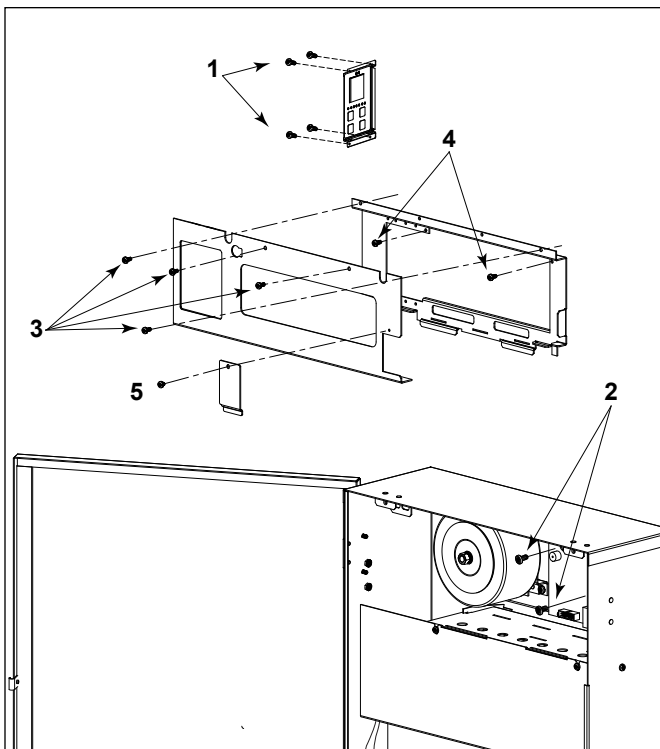


Figure 12. PureLink Power Center Screw Kit

## 10. Installation of the PureLink™ DC Wiring Harness

### Parts List for Wiring Harness, PureLink Power Center, R0447500--

Description	Qty
Wiring Harness, PureLink Power Interface DC Cord	1

1. Turn off all power to the power center.

**⚠ WARNING**

**Risk of Electric Shock which can result In Serious Injury or Death.** Before attempting installation or service, ensure that all power to the circuit supplying power to the system is disconnected or turned off at the circuit breaker.

All wiring must be done in accordance with the National Electric Code® (NEC), NFPA-70. In Canada, the Canadian Electrical Code® (CEC), CSA C22.1, must be followed. All applicable local installation codes and regulations must be followed.

2. Open the door of the power center.
3. Remove the cover to access the power interface board. See Figures 1, 2 and 7.
4. Disconnect the DC wiring harness from the power interface board. See Figure 10.
5. For the PureLink power center, remove the lower dead panel.
6. Carefully disconnect and remove the old harness. See Figure 10.
7. Install the new harness and route cable as shown, making sure all connections are tight and secure.

## 11. Screw Kit

Parts List for PureLink™ Power/Control Center Screw Kit, R0467800--		
Key#	Description	Qty
1	Screws, User Interface (#6 x 3/8 Phillips)	4
2	Screws, Power Interface (Lock, #8-32 x 3/8)	2
3	Screws, Cover & Support (Lock, #8-32 x 3/8)	4
4	Screws, AquaLink® PCB (Lock, #8-32 x 1/2)	2
5	Screws, Battery Door (#6-32 x 1/4 Phillips)	1

1. Turn off all power to the power/control center.

**⚠ WARNING**

**Risk of Electric Shock which can result in Serious Injury or Death.** Before attempting installation or service, ensure that all power to the circuit supplying power to the system is disconnected or turned off at the circuit breaker.

All wiring must be done in accordance with the National Electric Code® (NEC), NFPA-70. In Canada, the Canadian Electrical Code® (CEC), CSA C22.1, must be followed. All applicable local installation codes and regulations must be followed.

2. Replace screws as necessary.

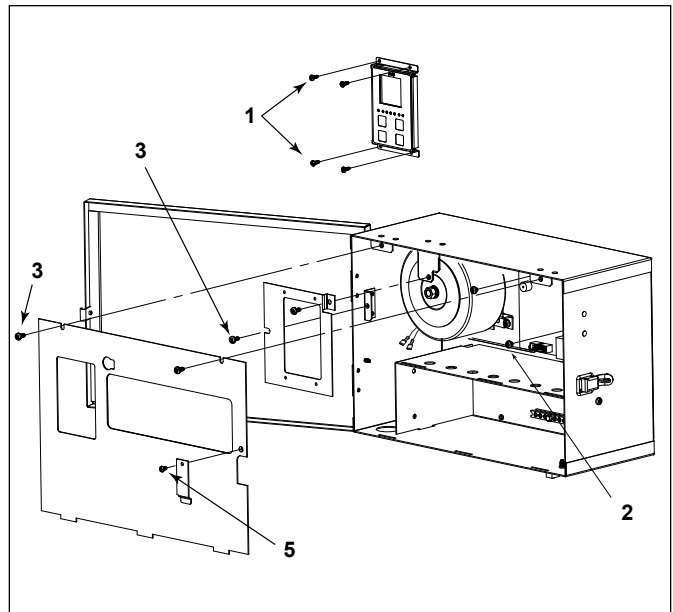


Figure 13. Control Center Screw Kit

**Zodiac Pool Systems, Inc.**  
 2620 Commerce Way, Vista, CA 92081  
 1.800.822.7933 | www.ZodiacPoolSystems.com

ZODIAC® is a registered trademark of Zodiac International, S.A.S.U., used under license.  
 All trademarks referenced herein are the property of their respective owners.

©2012 Zodiac Pool Systems, Inc. H0296900 Rev C 1205

