



Jandy Pro Series Underwater Pool and Spa White Lights

⚠ WARNING

FOR YOUR SAFETY - This product must be installed and serviced by a contractor who is licensed and qualified in pool equipment by the jurisdiction in which the product will be installed where such state or local requirements exist. In the event no such state or local requirement exists, the maintainer must be a professional with sufficient experience in pool equipment installation and maintenance so that all of the instructions in this manual can be followed exactly. Before installing this product, read and follow all warning notices and instructions that accompany this product. Failure to follow warning notices and instructions may result in property damage, personal injury, or death. Improper installation and/or operation will void the warranty.

Table of Contents

Section 1. Important Safety Information.....	4	Section 7. Replacing the Lamp.....	11
Section 2. Product Description and Model Numbers	5	Section 8. Twelve (12) Volt Installation	13
Section 3. Installing Jandy Pro Series Pro Series Light Fixture during New Construction.....	6	Section 9. Exploded View and Replacement Parts	14
3.1 Preparing the Light Fixture for Installation	6	9.1 Jandy Pro Series Pool White Light	14
3.2 Installing the Light Fixture	7	9.2 Jandy Pro Series Spa White Light	15
Section 4. Replacing Jandy Pro Series Light Fixture in an Existing Pool or Spa.....	7		
4.1 Preparing the Light Fixture for Replacement	8		
4.2 Replacing the Light Fixture	8		
Section 5. Wiring Options for Controlling Jandy Pro Series Pro Series Pool or Spa White Lights	9		
5.1 Wiring to an AquaLink® RS Control System.....	9		
5.2 Wiring to a Time Clock.....	9		
5.3 Wiring to a Switch.....	9		
Section 6. Operating Instructions	9		
6.1 To Operate the Light	9		

Figures and Tables

Figure 1. Jandy Pro Series Pool White Light Installation	6	Figure 13. Jandy Pro Series Spa White Light, Front and Back View	15
Figure 2. Jandy Pro Series Spa White Light Installation	6	Figure 14. Cross Section of Jandy Pro Series Spa White Light	15
Figure 3. 120-Volt Jandy Pro Series Pool and Spa White Light Wiring Diagram	10		
Figure 4. 12-Volt Jandy Pro Series Pool and Spa White Light Wiring Diagram	10		
Figure 5. Wiring the Jandy Pro Series Pool and Spa White Light to a Time Clock	10	Table 1. Lamp Specifications	11
Figure 6. Wiring the Jandy Pro Series Pool and Spa White Light to a Switch	10		
Figure 7. Removing the Pool and Spa White Light Assembly for Lamp Replacement	12		
Figure 8. Alignment of the Lens, Face Ring, Housing and Clamps for Pool White Lights	12		
Figure 9. Jandy Pro Series Pool White Light Exploded View	14		
Figure 10. Jandy Pro Series Pool White Light, Front and Back View	14		
Figure 11. Cross Section of Jandy Pro Series Pool White Light	14		
Figure 12. Jandy Pro Series Spa White Light Exploded View	15		

Section 1. Important Safety Information

IMPORTANT SAFETY INSTRUCTIONS PERTAINING TO A RISK OF FIRE, ELECTRIC SHOCK, OR INJURY TO PERSONS

READ AND FOLLOW ALL INSTRUCTIONS

When installing and using this electrical equipment, basic safety precautions should always be followed, including the following:

WARNING

RISK OF ELECTRICAL SHOCK OR ELECTROCUTION. This underwater light must be installed by a licensed or certified electrician in accordance with the National Electrical Code® (NEC®) in the US, the Canadian Electrical Code (CEC) in Canada, and applicable local codes and ordinances. Improper installation will create an electrical hazard, which could result in death or serious injury to pool or spa users, installers, or others due to electrical shock, and may also cause damage to property. Read and follow the specific instructions below.

WARNING

Before installing this underwater light, read and follow all warning notices and instructions accompanying this light. Failure to follow safety warnings and instructions can result in severe injury, death, or property damage. Call (800) 822-7933 for additional free copies of these instructions.

CAUTION

Except when the Jandy Pro Series Pool and Spa lights are installed in an area of the swimming pool that is not used for swimming and the lens is adequately guarded to keep any person from contacting it, the light shall be installed in or on a wall of the pool, with the top of the lens opening not less than 18 inches (457 mm) below the normal water level of the pool



ATTENTION INSTALLER: This manual contains important information about the installation, operation and safe use of this product. This information should be given to the owner/operator of this equipment.

SAVE THESE INSTRUCTIONS

Section 2. Product Description and Model Numbers

Jandy Pro Series Model Number	Jandy Pro Series White Light Size	Voltage	Maximum Watts	Cord Length	Face Ring Material
WPLV100WS30	Pool	12 Volt AC	100	30 feet	Stainless Steel
WPLV100WS50	Pool	12 Volt AC	100	50 feet	Stainless Steel
WPLV100WS100	Pool	12 Volt AC	100	100 feet	Stainless Steel
WPLV100WS50C	Pool (Canadian)	12 Volt AC	100	50 feet	Stainless Steel
WPLV100WS100C	Pool (Canadian)	12 Volt AC	100	100 feet	Stainless Steel
WPLV300WS30	Pool	12 Volt AC	300	30 feet	Stainless Steel
WPLV300WS50	Pool	12 Volt AC	300	50 feet	Stainless Steel
WPLV300WS100	Pool	12 Volt AC	300	100 feet	Stainless Steel
WPLV300WS50C	Pool (Canadian)	12 Volt AC	300	50 feet	Stainless Steel
WPLV300WS100C	Pool (Canadian)	12 Volt AC	300	100 feet	Stainless Steel
WPHV300WS30	Pool	120 Volt AC	300	30 feet	Stainless Steel
WPHV300WS50	Pool	120 Volt AC	300	50 feet	Stainless Steel
WPHV300WS100	Pool	120 Volt AC	300	100 feet	Stainless Steel
WPHV300WS150	Pool	120 Volt AC	300	150 feet	Stainless Steel
WPHV300WS250	Pool	120 Volt AC	300	250 feet	Stainless Steel
WPHV300WS50C	Pool (Canadian)	120 Volt AC	300	50 feet	Stainless Steel
WPHV300WS100C	Pool (Canadian)	120 Volt AC	300	100 feet	Stainless Steel
WPHV500WS30	Pool	120 Volt AC	500	30 feet	Stainless Steel
WPHV500WS50	Pool	120 Volt AC	500	50 feet	Stainless Steel
WPHV500WS100	Pool	120 Volt AC	500	100 feet	Stainless Steel
WPHV500WS150	Pool	120 Volt AC	500	150 feet	Stainless Steel
WPHV500WS250	Pool	120 Volt AC	500	250 feet	Stainless Steel
WPHV500WS50C	Pool (Canadian)	120 Volt AC	500	50 feet	Stainless Steel
WPHV500WS100C	Pool (Canadian)	120 Volt AC	500	100 feet	Stainless Steel
WPLV100WP100	Pool	12 Volt AC	100	100 feet	Plastic
WPLV300WP100	Pool	12 Volt AC	300	100 feet	Plastic
WPHV300WP100	Pool	120 Volt AC	300	100 feet	Plastic
WPHV500WP100	Pool	120 Volt AC	500	100 feet	Plastic
WSLV100WS30	Spa	12 Volt AC	100	30 feet	Stainless Steel
WSLV100WS50	Spa	12 Volt AC	100	50 feet	Stainless Steel
WSLV100WS100	Spa	12 Volt AC	100	100 feet	Stainless Steel
WSLV100WS50C	Spa (Canadian)	12 Volt AC	100	50 feet	Stainless Steel
WSLV100WS100C	Spa (Canadian)	12 Volt AC	100	100 feet	Stainless Steel
WSHV100WS30	Spa	120 Volt AC	60	30 feet	Stainless Steel
WSHV100WS50	Spa	120 Volt AC	60	50 feet	Stainless Steel
WSHV100WS100	Spa	120 Volt AC	60	100 feet	Stainless Steel
WSHV100WS150	Spa	120 Volt AC	60	150 feet	Stainless Steel
WSHV100WS250	Spa	120 Volt AC	60	250 feet	Stainless Steel
WSHV100WS50C	Spa (Canadian)	120 Volt AC	60	50 feet	Stainless Steel
WSHV100WS100C	Spa (Canadian)	120 Volt AC	60	100 feet	Stainless Steel
WSLV100WP100	Spa	12 Volt AC	100	100 feet	Plastic
WSHV100WP100	Spa	120 Volt AC	60	100 feet	Plastic

Section 3. Installing Jandy Pro Series Pro Series Light Fixture during New Construction

⚠ WARNING

Risk of Electrical Shock or Electrocutation.

This underwater light must be installed by a licensed or certified electrician or a qualified pool or spa serviceman in accordance with the National Electrical Code® (NEC®) in the US, the Canadian Electrical Code in Canada, and all applicable local codes and ordinances. Improper installation will create an electrical hazard, which could result in death or serious injury to pool or spa users, installers or others due to electrical shock, and may also cause damage to property.

Always disconnect the power to the pool or spa light at the circuit breaker before servicing the light. Failure to do so could result in death or serious injury to serviceman, pool or spa users or others due to electrical shock.

3.1 Preparing the Light Fixture for Installation

NOTE The electrician must complete preparatory steps before light fixture is installed; see Figure 1 (or Figure 2, for spa).

Ensure that the pool or spa meets the requirements of the current National Electrical Code (NEC) in the US, the Canadian Electrical Code (CEC) in Canada, and all applicable local codes and ordinances. A licensed or certified electrician must install the electrical system to meet or exceed those requirements before the underwater light is installed. Some of the requirements of the National Electrical Code, which the pool or spa's electrical systems must meet, are as follows:

1. The lighting circuit must have a Ground Fault Circuit Interrupter (GFCI) for line voltage 120 volt models, and must have an appropriately rated circuit breaker.
2. The Junction Box (or, for 12 volt models, the low voltage transformer) must be located at least eight (8) inches above water level, at least four (4) inches above ground level or pool deck level, and at least four (4) feet from the edge of the pool or spa; see Figure 1 for pools and Figure 2 for spas.
3. The light fixture and all metal items within five (5) feet of the pool or spa must be properly electrically bonded to a reliable point of grounding.

4. The wet niche must be properly installed so that the top edge of the underwater light's lens is at least 18 inches below the surface of the water in the pool or spa; see Figure 1 or 2.
5. The wet niche must be properly electrically bonded and grounded via the No. 8 AWG ground connector located at the rear of the niche; see Figure 1 or 2.

NOTE The pool or spa electrical system can be verified with a Pool and Spa Electrical Qualification Test kit. The test kit is available from local distribution. The electrical system inspection using this kit must be performed by trained and certified personnel. To be certain that the pool or spa's electrical system meets all applicable requirements, the electrician should also consult the local building department.

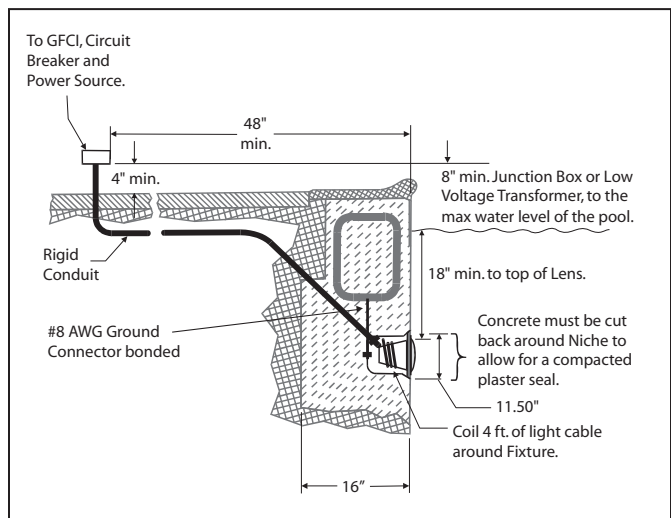


Figure 1. Jandy Pro Series Pool White Light Installation

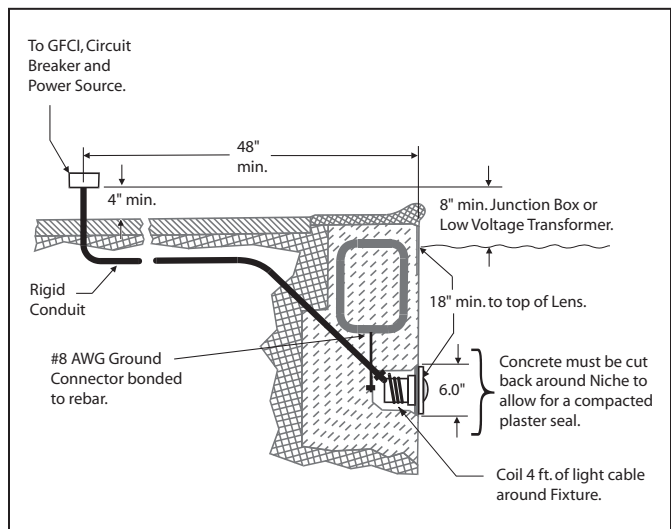


Figure 2. Jandy Pro Series Spa White Light Installation

Use only approved wet niches (see following note) to ensure a safe and proper installation.

NOTE Jandy Pro Series Pool and Spa Lights are ETL listed (ETL report/file 3101015CHI-002) for installation with *only* the following manufacturer's wet niche fixtures:

Large / Pool Type Niche Model Numbers:

Jandy Pro Series: PLNICLRG, PLNICVFLRG,
SSNICLRG1(R/S)

Pentair®: 620004, 78210200 thru 700,
78210401, 79206700

Hayward® DuraNiche: SP0600U

Sta-Rite®: 05161-2352 thru 2369, 05163-2395
thru 2396

Small / Spa Type Niche Model Numbers:

Jandy Pro Series: PLCNICSM, SSNICSM1(R/S)

Pentair: 78241100, 78242200, 78242300,
78243100 thru 300, 78244100 thru
300, 79206600

Hayward DuraNiche: SP0601U

Sta-Rite: 05166-1017 thru 1034, 05167-1035
thru 1037

3.2 Installing the Light Fixture

NOTE Perform these steps *only* after the electrical system requirements are met.

1. Feed cord through conduit to Junction Box, leaving at least four (4) feet of cord at the light fixture to coil around the light; see Figure 1 (or Figure 2, for spa). This four (4) feet of cord around the light allows the light to be serviced after the pool or spa is filled with water.
2. Cut the cord at the Junction Box, leaving at least six (6) inches of cord to make connections.
3. Strip six (6) inches of the outer cord jacket to expose the three insulated wires. *Be careful not to damage the insulation on the three (3) inner wires.*
4. Install strain relief over cord jacket and connect all three (3) wires to the corresponding circuit wires in the Junction Box. Install the Junction Box cover.

WARNING

Never operate this underwater light for more than 10 seconds unless it is totally submerged in water. Without total submersion, the light assembly will get extremely hot, which may result in serious burns or in breakage of the lamp or lens. This may result in serious injury to pool or spa users, installers, or bystanders or damage to property.

5. Coil the 4-foot length of cord around the fixture and place the light assembly into the niche.
6. Engage the retainer tab on the bottom of the face ring, then pivot the top of the fixture inward and tighten the special pilot screw.

WARNING

Use only the special pilot screw provided with this underwater light. This screw mounts and electrically grounds the mounting ring to the wet niche. Failure to use the screw provided could create an electrical hazard, which could result in death or serious injury to pool or spa users, installers or others due to electrical shock.

7. Fill the pool or spa until the underwater light is completely submerged in water before operating the light for more than 10 seconds. Turn on main switch or circuit breaker, and the switch, which operates the underwater light, to check for proper operation. Refer to *Section 6, Operating Instructions*.

Section 4. Replacing Jandy Pro Series Light Fixture in an Existing Pool or Spa

WARNING

Risk of Electrical Shock or Electrocution.

This underwater light must be installed by a licensed or certified electrician or a qualified pool or spa serviceman in accordance with the National Electrical Code in the US, the Canadian Electrical Code in Canada, and all applicable local codes and ordinances. Improper installation will create an electrical hazard, which could result in death or serious injury to pool or spa users, installers or others due to electrical shock, and may also cause damage to property.

Always disconnect the power to the pool or spa light at the circuit breaker before servicing the light. Failure to do so could result in death or serious injury to serviceman, pool or spa users or others due to electrical shock.

4.1 Preparing the Light Fixture for Replacement

Verify that the pool or spa meets the requirements of the current National Electrical Code® (NEC®) in the US, the Electrical Code in Canada, and all applicable local codes and ordinances. A licensed or certified electrician must install the electrical system to meet or exceed those requirements before the underwater light is installed. Some of the requirements of the National Electrical Code, which the pool or spa's electrical system must meet, are as follows:

1. The lighting circuit must have a Ground Fault Circuit Interrupter (GFCI) for line voltage 120 volt models, and must have an appropriately rated circuit breaker.
2. The Junction Box (or, for 12 volt models, the low voltage transformer) must be located at least eight (8) inches above water level, at least four (4) inches above ground level or pool deck level, and at least 48 inches from the edge of the pool or spa; see Figure 1 (or Figure 2, for spa).
3. The light fixture and all metal items within five (5) feet of the pool or spa must be properly electrically bonded to a reliable point of grounding.
4. The wet niche must be properly installed so that the top edge of the underwater light's lens is at least 18 inches below the surface of the water in the pool or spa; see Figure 1 (or Figure 2, for spa).
5. The wet niche must be properly electrically bonded and grounded via the No. 8 AWG ground connector located at the rear of the niche; see Figure 1 (or Figure 2, for spa).

To be certain that the pool or spa's electrical system meets all applicable requirements, the electrician should also consult the local building department.

4.2 Replacing the Light Fixture

NOTE Perform these steps *only* after the electrical system requirements are met.

WARNING

Failure to bring the pool or spa's electrical system up to code requirements before installing the underwater light will create an electrical hazard which could result in death or serious injury to pool or spa users, installers, or others due to electrical shock, and may also cause damage to property.

NOTE The light fixture may be replaced without removing water from the pool or spa.

1. Turn off the **main** electrical switch or circuit breaker, as well as the switch, which operates the underwater light.
2. Unscrew the special pilot screw at the top of the face ring and remove the light assembly from the niche, and place the assembly on the deck.

WARNING

Be sure to keep the special pilot screw from this underwater light. This screw mounts and electrically grounds the housing securely to the mounting ring and wet niche. Failure to use the screw provided could create an electrical hazard, which could result in death or serious injury to pool or spa users, installers or others due to electrical shock.

3. Remove the Junction Box cover, disconnect the light fixture wires and strain relief, and then pull the cord out of the conduit from the niche.
4. Feed the new light fixture cord through the conduit from the niche to the Junction Box.

NOTE Depending on the length of the conduit, special tools may be required to pull the cord through the conduit.

5. Leave at least four (4) feet of cord to coil around the light fixture; see Figure 1 (or Figure 2, for spa). This allows the light to be serviced after the pool or spa is filled with water.
6. Cut the cord at the Junction Box, leaving at least six (6) inches of cord to make connections.
7. Strip six (6) inches of the outer cord jacket from the cord to expose the three insulated wires. Be careful not to damage the insulation on the three (3) inner wires.
8. Install the strain relief over the cord jacket and connect all (3) three wires to the corresponding circuit wires in the Junction Box. Install the Junction Box cover.

9. Reinstall the light assembly into the niche and tighten the special pilot screw.

WARNING

Use only the special pilot screw provided with this underwater light. This screw mounts and electrically grounds the mounting ring to wet niche. Failure to use the screw provided could create an electrical hazard, which could result in death or serious injury to pool or spa users, installers or others due to electrical shock.

10. Fill the pool or spa until the underwater light is completely submerged in water before operating the light for more than 10 seconds. Turn on main switch or circuit breaker, as well as the switch, which operates the underwater light, to check for proper operation. Refer to *Section 6, Operating Instructions*.

WARNING

Never operate this underwater light for more than 10 seconds unless it is totally submerged in water. Without total submersion, the light assembly will get extremely hot, which may result in serious burns or in breakage of the lamp or lens. This may result in serious injury to pool or spa users, installers, or bystanders or in damage to property.

Section 5. Wiring Options for Controlling Jandy Pro Series Pool or Spa White Lights

NOTE The **Jandy Pro Series Pool and Spa White Lights** can be dimmed when an optional Light Dimming Module is added to the control system or control switch.

To the extent allowed by code and capacity of the electrical equipment, multiple **Jandy Pro Series Pool and Spa White Lights** may be controlled with a single switch.

5.1 Wiring to an AquaLink® RS Control System

The **Jandy Pro Series Pool and Spa White Lights** can be wired into the Jandy Pro Series AquaLink RS control system to provide simplified operation of the lights. Connect the lights to one of the auxiliary relays in the Power Center.

NOTE It is recommended to connect one light per relay so each light can be controlled separately. However, up to four lights can be connected on a single relay. If there are more than four lights installed on one AquaLink RS system, ensure there is more than one auxiliary relay available in the Power Center.

Refer to Figures 3 and 4 to connect the **Jandy Pro Series Pool and Spa White Lights** to the Power Center.

WARNING

A Ground Fault Circuit Interrupter (GFCI) must be provided for 120 volt models. The conductors on the load side of the GFCI circuit shall not occupy conduit, boxes, or enclosures containing other conductors unless the additional conductors are also protected by a GFCI. Refer to local codes for complete details.

NOTE The **Jandy Pro Series Pool and Spa White Lights** are available in 120-volt and 12-volt versions. If installing a 12-volt light, a 120-volt/12-volt step-down (AC) transformer *must* be used. For more information about 12-volt installations, refer to *Section 8* of this manual.

5.2 Wiring to a Time Clock

The **Jandy Pro Series Pool and Spa White Lights** can be wired into a basic time clock to automatically turn on the lights at a predesignated time. Refer to Figure 5 to connect the lights into the time clock.

5.3 Wiring to a Switch

The **Jandy Pro Series Pool and Spa White Lights** can be wired into a switch to manually turn on/off the lights. Refer to Figure 6 to connect the lights into the switch.

Section 6. Operating Instructions

6.1 To Operate the Light

Activate the light by either turning on the switch, setting a program, or by pushing the button on a pool and spa controller.

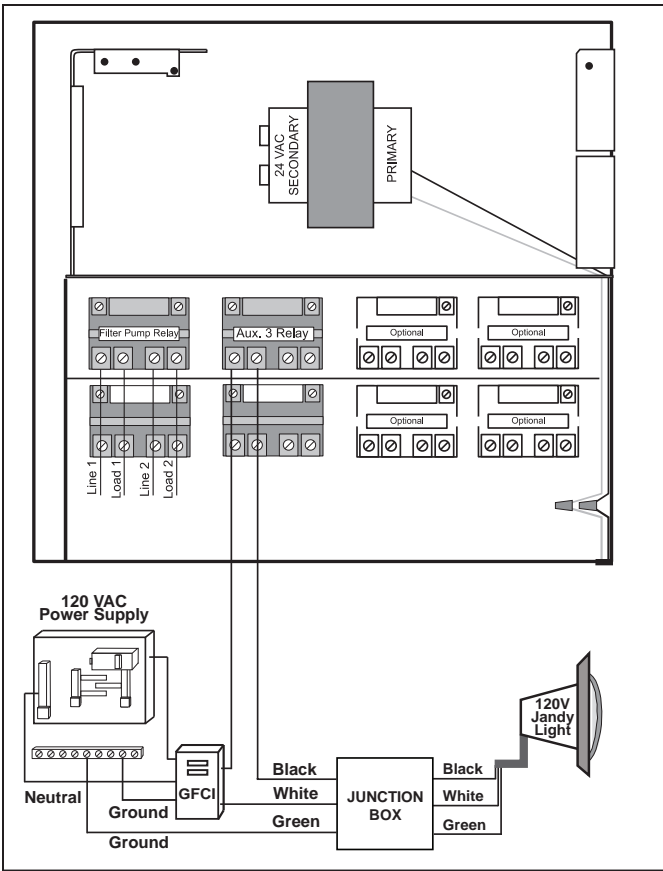


Figure 3. 120-Volt Jandy Pro Series Pool and Spa White Light Wiring Diagram

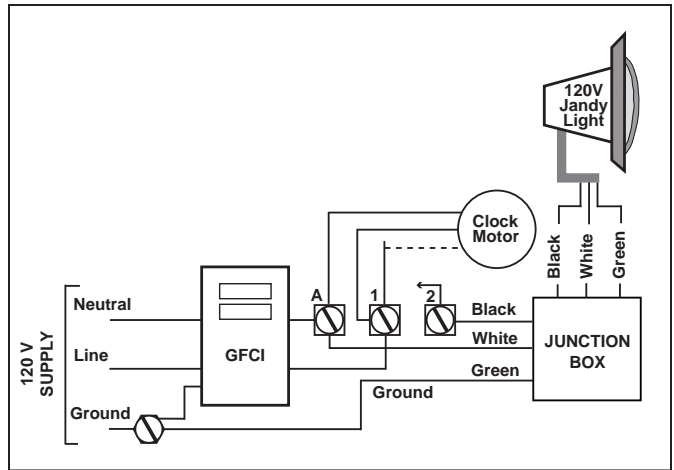


Figure 5. Wiring the Jandy Pro Series Pool and Spa White Light to a Time Clock

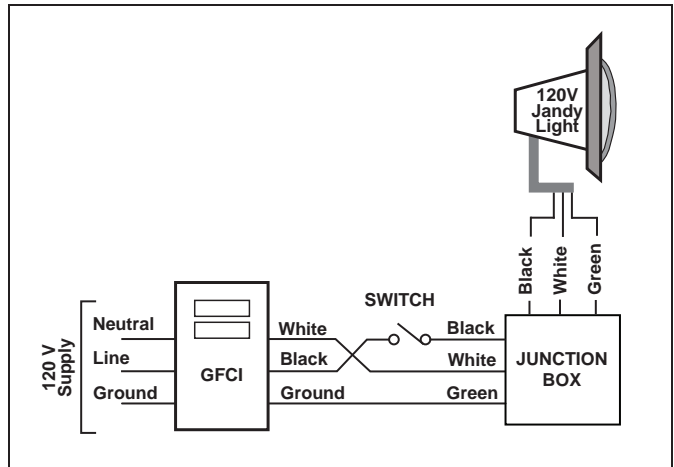


Figure 6. Wiring the Jandy Pro Series Pool and Spa White Light to a Switch

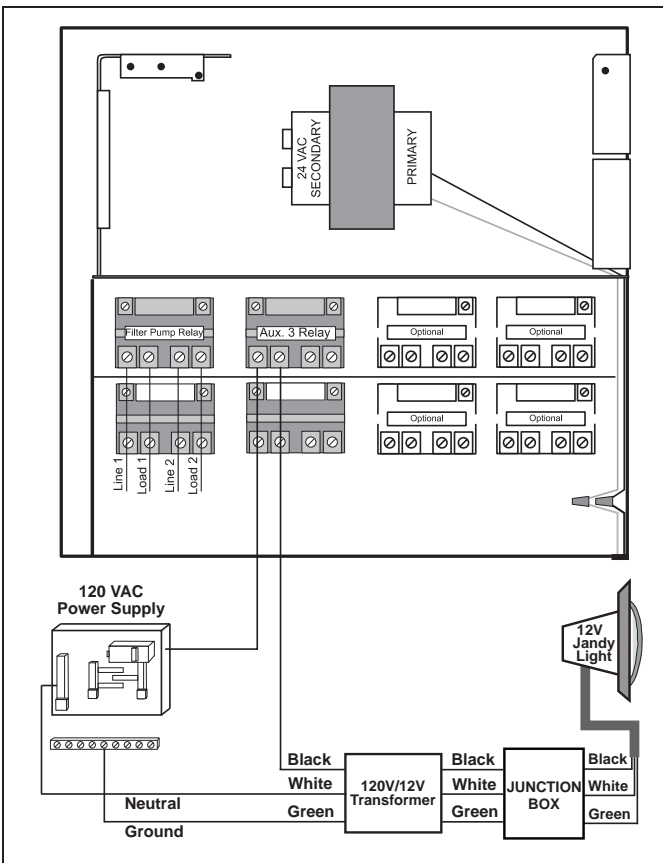


Figure 4. 12-Volt Jandy Pro Series Pool and Spa White Light Wiring Diagram

Section 7. Replacing the Lamp

WARNING

Always disconnect power to the pool or spa white light at the circuit breaker before servicing the light. Failure to do so could result in death or serious injury to installer, serviceman, pool or spa users or others due to electrical shock.

1. Turn off the main electrical switch or circuit breaker, as well as the switch, which operates the underwater light.
2. Be sure to have the following items:
 - A new lens gasket (P/N R0451101 for Jandy Pro Series Pool Light and P/N R0400501 for Jandy Pro Series Spa Light).
 - One (1) new lamp. See Table 1 for specifications.

WARNING

Replace the lamp with one of the same type and wattage. Failure to replace the lamp with one of the same type will damage the light assembly and may cause an electrical hazard resulting in death or serious injury to pool or spa users, installers, or others due to electrical shock, and may also cause damage to property. Be sure the power is switched OFF before removing or installing lamps. Allow lamp to cool before replacing.

3. To remove the light assembly, unscrew the special pilot screw at the top of the face ring, remove light assembly from niche and gently place assembly on the deck. It is not necessary to drain down the pool or spa. See Figure 7.

4. Disassemble the light fixture and replace lamp as follows:

WARNING

Be sure to keep the special pilot screw from this underwater light. This screw mounts and electrically grounds the housing securely to the mounting ring and wet niche. Failure to use the screw provided could create an electrical hazard, which could result in death or serious injury to pool or spa users, installers or others due to electrical shock.

- a. Loosen the eight (8) Phillips head screws for pool light or the six (6) Phillips head screws for spa light to allow the bottom clamp to be removed from the face ring assembly. Do not remove the screws or the retaining rings. The retaining rings prevent the screws from falling free from the top clamp and also aid in ease of assembly.
- b. Remove the lower clamp, the face ring assembly, the glass lens, and the gasket from the fixture. Remove the gasket from the lens. Refer to *Section 9, Exploded View and Replacement Parts*.
- c. Install new lamp.

WARNING

Risk of Electrical Shock or Electrocutation. Always install a new lens gasket whenever disassembling the light (for **Jandy Pro Series Pool Light Gasket** P/N R0451101 and for **Jandy Pro Series Spa Light Gasket** P/N R0400501). Failure to do so may permit water to leak into the assembly, which could cause:

- (a) An electrical hazard resulting in death or serious injury to pool or spa users, installers, or others due to electrical shock, or
- (b) Breakage of the lamp or lens, which likewise could result in serious injury to pool or spa users, installers, or bystanders, or in damage to property.

Jandy Pro Series Model	Fixture Voltage	Lamp Voltage	Lamp Wattage	Lamp Type	Qty. per Fixture	Lamp Kit Part Number
Pool/Spa White Light	12 Volt AC	12V	100 Watt	R20 Flood	1	R0450501
Pool White Light	120 Volt AC	120V	300 Watt	R40 Flood	1	R0450502
Pool White Light	12 Volt AC	12V	300 Watt	R40 Flood	1	R0450503
Pool White Light	120 Volt AC	120V	500 Watt	R40 Flood	1	R0450504
Spa White Light	120 Volt AC	120V	60 Watt	R20 Flood	1	R0450505

Table 1. Lamp Specifications

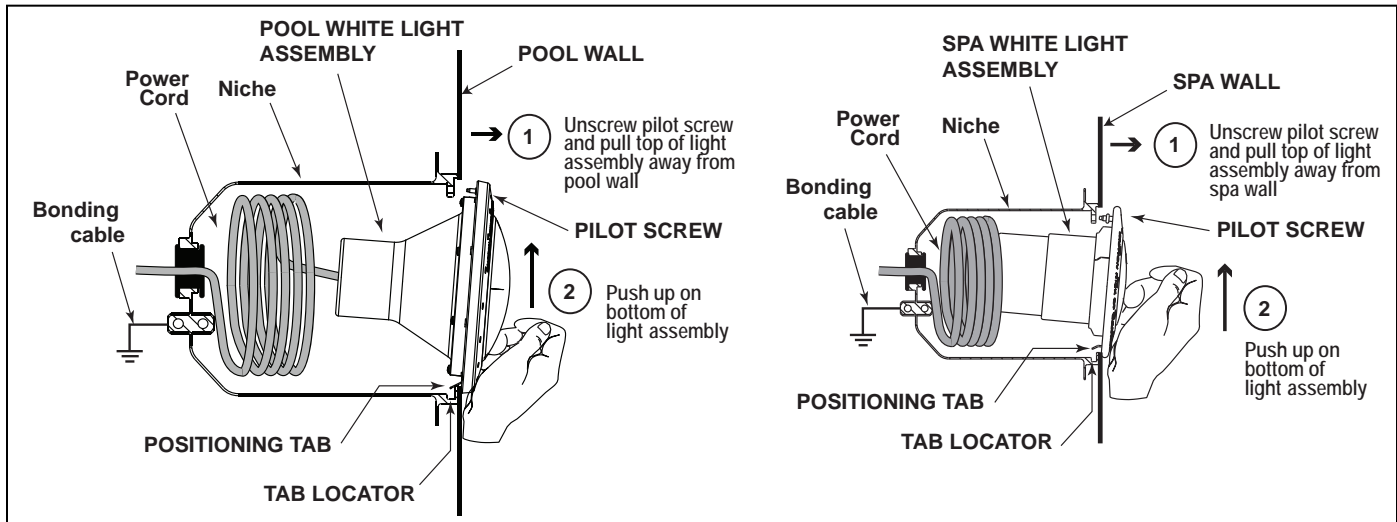


Figure 7. Removing the Pool and Spa White Light Assembly for Lamp Replacement

5. Reassemble the fixture as follows:

- a. If not already done, remove the gasket from the glass lens and install a new gasket, **Jandy Pro Series Pool Light Gasket** (P/N R0451101) and **Jandy Pro Series Spa Light Gasket** (P/N R0400501), on the lens.

NOTE A new lens gasket must be used each time the light is reassembled.

- b. While holding the fixture upright, place the glass lens with the gasket on top of the fixture. Please note that the lens gasket is not symmetrical. Therefore, it must be installed correctly so that the lens can seal to the fixture housing. Place the gasket on the lens so that the thick molded side of the gasket will mate with the housing when the lens is installed. See Figure 11.

- c. Position the lens and gasket on the fixture. Place the face ring and the top clamp over the lens and align the pilot screw with the small arrow mark on the face of the lens. Note that the small arrow mark on the face of the lens and the pilot screw of the face ring must be aligned with the arrow located on fixture label that reads, “Arrow on this label must line up with the pilot screw on the Face Ring”. See Figure 8.
- d. While holding the aligned face ring assembly and fixture together, turn the assembly upside down and set it on the old gasket, using the old gasket as an assembly fixture. This will keep the lens and gasket assembly from being pushed out of the face ring while you secure it to the light fixture.
- e. Spread the bottom clamp over the electrical cord and slide it onto the back of fixture to the top clamp. See Figure 8.

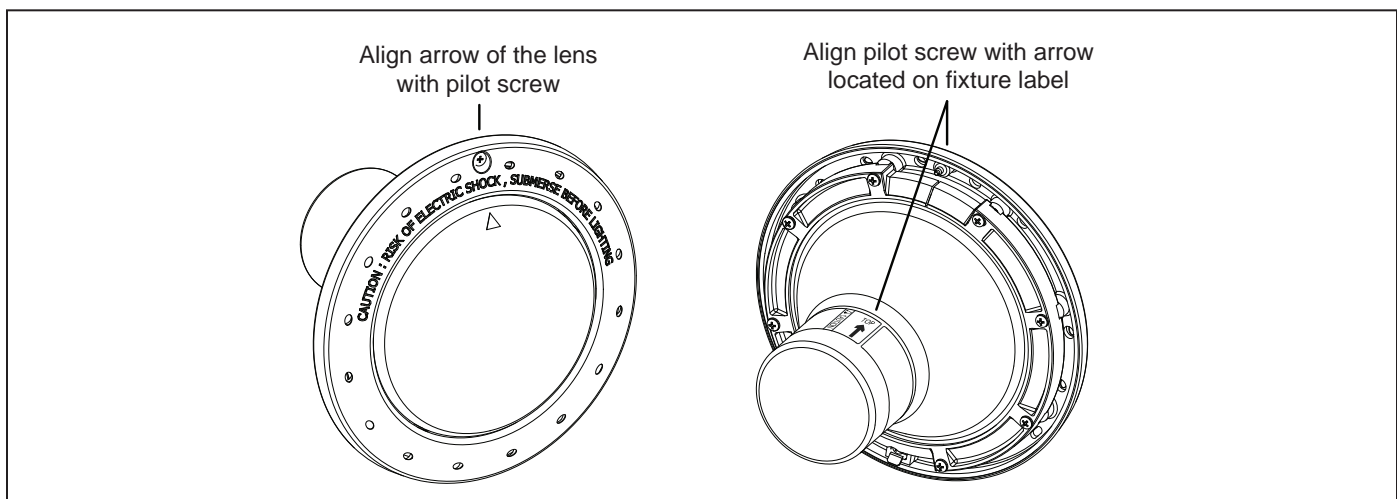


Figure 8. Alignment of the Lens, Face Ring, Housing and Clamps for Pool White Lights

- f. Tighten the eight (8) Phillips head screws for pool light or the six (6) Phillips head screws for spa light in alternating cross-pattern. Torque screws to approximately 20 in-lbs. Do not over-tighten.
 - g. Discard the old gasket.
6. Reinstall the Jandy Pro Series Light into niche fixture.
- a. Coil four (4) feet of cord around the fixture and place the light assembly into the niche.
 - b. Engage the retainer tab on the bottom of the face ring, then pivot the top of the fixture inward and tighten the special pilot screw.

To ensure compliance with the National Electrical Code® (NEC®) in the US (Canadian Electrical Code (CEC) in Canada), and to reduce the risk of electric shock which could result in serious injury or death, use only a transformer that has been listed or recognized by a Nationally Recognized Testing Laboratory (NRTL) for pool/spa application.

WARNING

Use only the special pilot screw provided with this underwater light. This screw mounts and electrically grounds the housing securely to the mounting ring and wet niche. Failure to use the screw provided could create an electrical hazard, which could result in death or serious injury to pool or spa users, installers or others due to electrical shock.

7. If pool or spa is empty, fill pool or spa until the underwater light is completely submerged in water before operating the light for more than 10 seconds. Turn on main switch or circuit breaker, as well as the switch, which specifically operates the underwater light, to check for proper operation.

WARNING

Never operate this underwater light for more than 10 seconds unless it is totally submerged in water. Without total submersion, the light assembly will get extremely hot, which may result in serious burns or in breakage of the lamp or lens. This may result in serious injury to pool or spa users, installers, or bystanders or in damage to property.

Section 8. Twelve (12) Volt Installation

A separate 12-Volt AC Transformer is required on all 12-Volt Models. Use an appropriately sized transformer for your model light.

NOTE For optimum performance Jandy Pro Series recommends to use one transformer per 12-volt light.

Section 9. Exploded View and Replacement Parts

9.1 Jandy Pro Series Pool White Light

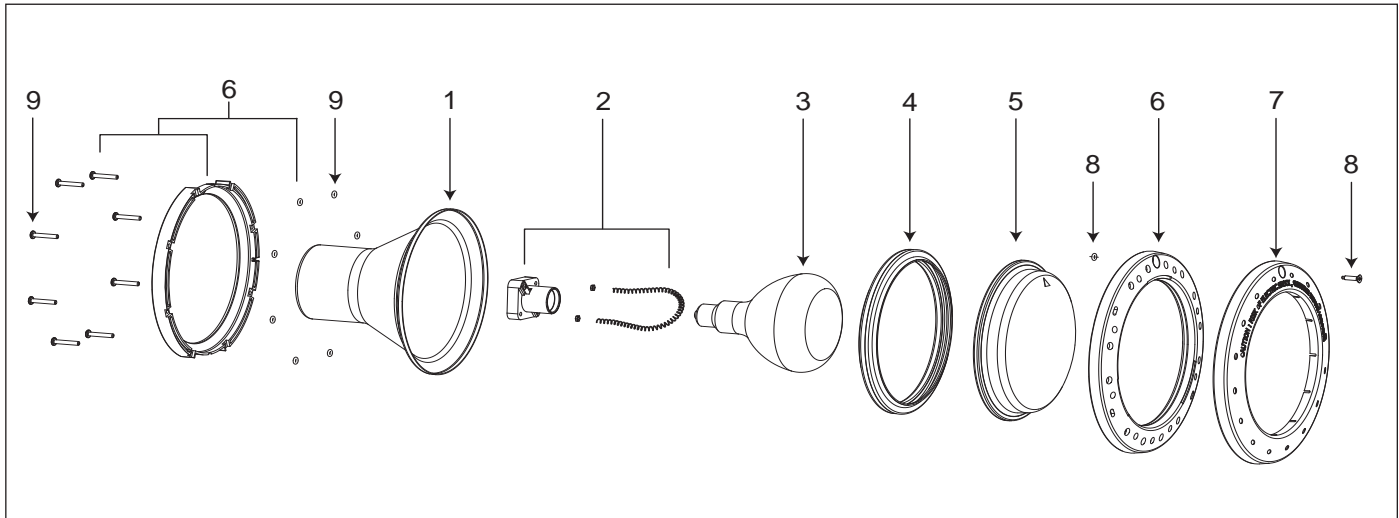


Figure 9. Jandy Pro Series Pool White Light Exploded View

DWG #	Part #	Description	Field Replaceable
1	N/A	Pool Light Housing	NO - Purchase New Light
2	N/A	Lamp Holder	NO - Purchase New Light
3	R0450501	Lamp, 100 Watt, 12 Volt	YES
3	R0450502	Lamp, 300 Watt, 120 Volt	YES
3	R0450503	Lamp, 300 Watt, 12 Volt	YES
3	R0450504	Lamp, 500 Watt, 120 Volt	YES
4	R0451101	Silicone Gasket, Pool Light	YES
5	R0450601	Glass Lens, Pool Light	YES
6	R0450701	Clamp Assembly, Pool Light	YES
7	R0450801	Face Ring, Stainless Steel (SS), Pool Light	YES
7	R0450802	Face Ring, Plastic, White, Pool Light	YES
7	R0450803	Face Ring, Plastic, Black, Pool Light	YES
7	R0450804	Face Ring, Plastic, Gray, Pool Light	YES
7	R0450805	Face Ring, Plastic Set, Pool Light	YES
8	R0450901	Pilot Screw, with Retainer, Pool Light	YES
9	R0451001	Clamp Screw (8 Screws and 8 Retainers) Pool Light	YES

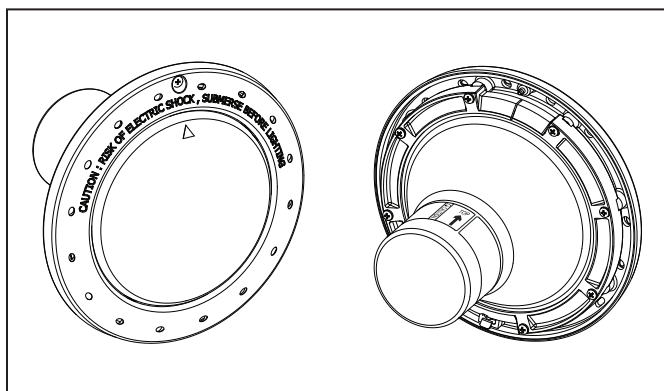


Figure 10. Jandy Pro Series Pool White Light, Front and Back View

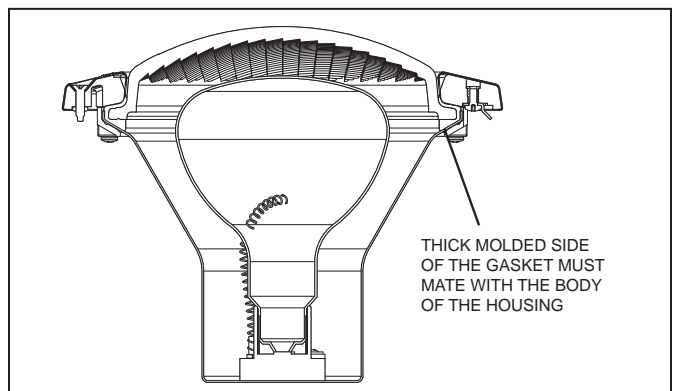


Figure 11. Cross Section of Jandy Pro Series Pool White Light

9.2 Jandy Pro Series Spa White Light

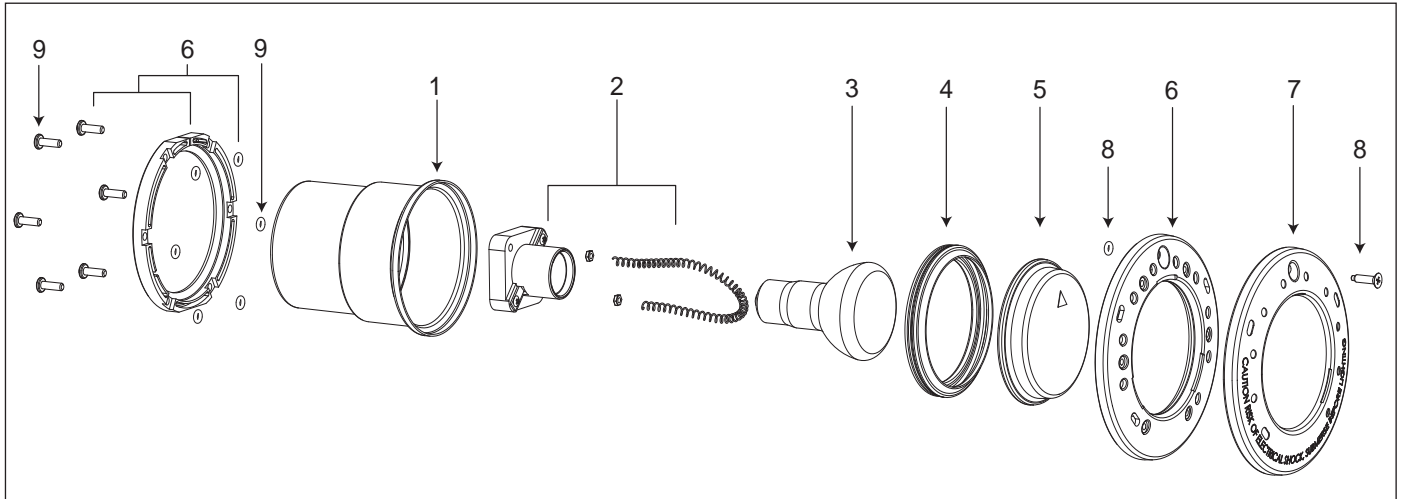


Figure 12. Jandy Pro Series Spa White Light Exploded View

DWG #	Part #	Description	Field Replaceable
1	N/A	Spa Light Housing	<i>NO - Purchase New Light</i>
2	N/A	Lamp Holder	<i>NO - Purchase New Light</i>
3	R0450501	Lamp, 100 Watt, 12 Volt	YES
3	R0450505	Lamp, 60 Watt, 120 Volt	YES
4	R0400501	Silicone Gasket, Spa Light	YES
5	R0400601	Glass Lens, Spa Light	YES
6	R0451201	Clamp Assembly, Spa Light	YES
7	R0451301	Face Ring, Stainless Steel (SS), Spa Light	YES
7	R0451302	Face Ring, Plastic, White, Spa Light	YES
7	R0451303	Face Ring, Plastic, Black, Spa Light	YES
7	R0451304	Face Ring, Plastic, Gray, Spa Light	YES
7	R0451305	Face Ring, Plastic Set, Spa Light	YES
8	R0450901	Pilot Screw, with O-ring, Spa Light	YES
9	R0451401	Clamp Screw (6 Screws and 6 Retainers) Spa Light	YES

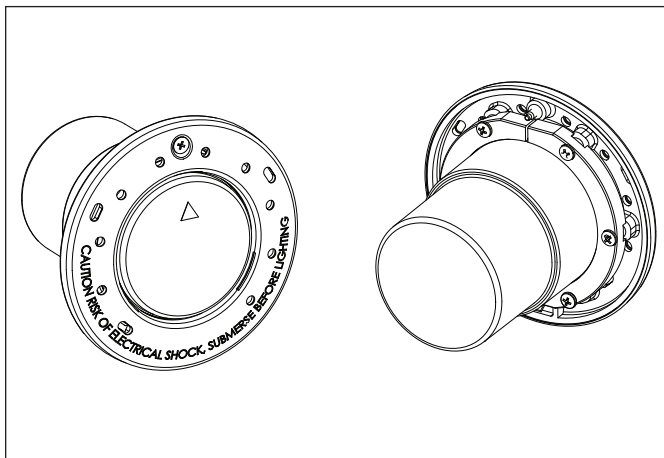


Figure 13. Jandy Pro Series Spa White Light, Front and Back View

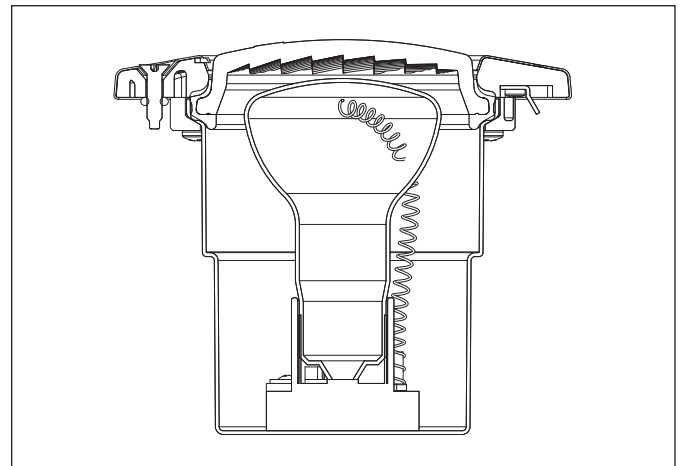


Figure 14. Cross Section of Jandy Pro Series Spa White Light



ETL LISTED
CONFORMS TO UL STD 676

Certified to CAN/CSA C22.2 No. 89

Zodiac Pool Systems, Inc.
2620 Commerce Way, Vista, CA 92081
1.800.822.7933 | www.ZodiacPoolSystems.com

©2014 Zodiac Pool Systems, Inc. ZODIAC® is a registered trademark of Zodiac International, S.A.S.U., used under license. All other trademarks referenced herein are the property of their respective owners.

H0312200 Rev C



Lampes Blanches Immergées de Piscine et de Spa Jandy Pro Series

⚠ AVERTISSEMENT

POUR VOTRE SÉCURITÉ – Ce produit doit être installé et entretenu par un technicien qualifié spécialisé dans l'installation et l'entretien des piscines et des spas. Les consignes de ce manuel doivent être suivies scrupuleusement. Toute infraction aux consignes de sécurité et d'emploi pourrait causer des dommages matériels, des blessures graves ou même la mort. Une installation et/ou une utilisation incorrecte de la lampe annulerait la garantie. Avant d'installer ce produit, lisez et respectez toutes les consignes d'avertissement et instructions incluses avec cette lampe.

Table des matières

Section 1. Consignes de sécurité	20	Section 5. Options de câblage pour contrôler les lampes blanches de piscine et de spa Jandy Pro Series.....	25
Section 2. Description du produit et numéros de modèles	21	5.1 Câblage à un système de contrôle RS Aqualink®	25
Section 3. Installation d'une lampe Jandy Pro Series sur un chantier de construction	22	5.2 Câblage à une horloge	26
3.1 Préparation de la lampe pour l'installation	22	5.3 Câblage à un interrupteur	26
3.2 Installation de la lampe	23	Section 6. Consignes d'utilisation	26
Section 4. Remplacement d'une lampe Jandy Pro Series dans une piscine ou un spa existants.....	24	6.1 Pour faire fonctionner la lampe	26
4.1 Préparation de la lampe pour son remplacement	24	Section 7. Remplacement de la lampe	26
4.2 Remplacement de la lampe	24	Section 8. Installation 12 volts	30
		Section 9. Vue éclatée et pièces de rechange	31
		9.1 Lampe blanche de piscine Jandy Pro Series.....	31
		9.2 Lampe de spa blanche Jandy Pro Series.....	32

Figures et tableaux

Figure 1. Installation de la lampe blanche de piscine Jandy Pro Series	22	Figure 9. Vue éclatée de la lampe blanche de piscine Jandy Pro Series	31
Figure 2. Installation de la lampe blanche de spa Jandy Pro Series.....	23	Figure 10. Vues avant et arrière de la lampe blanche de piscine Jandy Pro Series.....	31
Figure 3. Schéma de câblage de la lampe blanche de 120 volts pour piscine et spa Jandy Pro Series.....	27	Figure 11. C Vue en coupe de la lampe blanche de piscine Jandy Pro Series.....	31
Figure 4. Schéma de câblage de la lampe blanche de 12 volts pour piscine et spa Jandy Pro Series.....	27	Figure 12. Vue éclatée de la lampe blanche de spa Jandy Pro Series.....	32
Figure 5. Câblage de la lampe blanche de piscine et de spa Jandy Pro Series à une horloge	27	Figure 13. Vues avant et arrière de la lampe blanche de spa Jandy Pro Series	32
Figure 6. Câblage de la lampe blanche de piscine et de spa Jandy Pro Series à un interrupteur.....	27	Figure 14. Vue en coupe de la lampe blanche de spa Jandy Pro Series.....	32
Figure 7. Démontage de la lampe blanche de piscine et de spa pour remplacer l'ampoule.....	28	Tableau 1. Caractéristiques de la lampe	26
Figure 8. Alignement du verre de protection, de la bague avant, du boîtier et des crochets supports des lampes blanches de piscine	28		

Section 1. Consignes de sécurité

DIRECTIVES DE SÉCURITÉ IMPORTANTES RELATIVEMENT À UN RISQUE D'INCENDIE, DE CHOC ÉLECTRIQUE, OU DE BLESSURES AUX PERSONNES.

LIRE ET SUIVRE TOUTES LES DIRECTIVES

Lors de l'installation et de l'utilisation de cet équipement électrique, des précautions de base doivent toujours être suivies, entre autres :

AVERTISSEMENT

RISQUE DE CHOC ÉLECTRIQUE OU D'ÉLECTROCUTION. Cette lampe immergée doit être installée par un technicien breveté ou certifié en accord avec le Code national d'électricité américain (NEC®) et le Code électrique canadien (CEC) et avec les autres codes et arrêtés locaux applicables. Une installation incorrecte peut entraîner un risque de problème électrique (choc électrique ou électrocution) pouvant causer des blessures graves et même la mort des installateurs ou utilisateurs du spa et de la piscine. Lisez et respectez les instructions détaillées ci-dessous.

AVERTISSEMENT

Avant d'installer la lampe immergée, lisez et respectez toutes les consignes d'avertissement et instructions incluses avec cette lampe. Toute effraction à ces consignes de sécurité et instructions peut causer des blessures graves ou mortelles, ou des dommages matériels. Composez le (+1) (707) 776-8200 pour recevoir gratuitement des manuels supplémentaires des consignes de sécurité.

MISE EN GARDE

La lampe doit être installée à l'intérieur de la paroi ou sur la paroi de la piscine de façon à ce que le bord supérieur du verre de protection soit situé à au moins 18 pouces (457 mm) au-dessous du niveau normal de l'eau de la piscine, à moins que les lampes de piscine et de spa Jandy Pro Series ne soient installées dans une partie de la piscine non utilisée pour la baignade et que les lentilles soient protégées adéquatement pour empêcher toute personne d'y toucher.



À L'ATTENTION DE L'INSTALLATEUR : ce guide contient des informations importantes concernant l'installation, le fonctionnement et les consignes de sécurité de ce produit. Ces informations doivent être données au propriétaire/opérateur de ce matériel.

CONSERVEZ CES DIRECTIVES

Section 2. Description du produit et numéros de modèles

Numéro de modèle Jandy Pro Series	Taille de la lampe blanche Jandy Pro Series	Tension	Watts maximum	Longueur du câble	Matériau de la baguette avant
WPLV100WS30	Piscine	12 Volts CA	100	30 pieds (approx. 9 m)	Acier inoxydable
WPLV100WS50	Piscine	12 Volts CA	100	50 pieds (approx. 15 m)	Acier inoxydable
WPLV100WS100	Piscine	12 Volts CA	100	100 pieds (approx. 30 m)	Acier inoxydable
WPLV100WS50C	Piscine (Canada)	12 Volts CA	100	50 pieds (approx. 15 m)	Acier inoxydable
WPLV100WS100C	Piscine (Canada)	12 Volts CA	100	100 pieds (approx. 30 m)	Acier inoxydable
WPLV300WS30	Piscine	12 Volts CA	300	30 pieds (approx. 9 m)	Acier inoxydable
WPLV300WS50	Piscine	12 Volts CA	300	50 pieds (approx. 15 m)	Acier inoxydable
WPLV300WS100	Piscine	12 Volts CA	300	100 pieds (approx. 30 m)	Acier inoxydable
WPLV300WS50C	Piscine (Canada)	12 Volts CA	300	50 pieds (approx. 15 m)	Acier inoxydable
WPLV300WS100C	Piscine (Canada)	12 Volts CA	300	100 pieds (approx. 30 m)	Acier inoxydable
WPHV300WS30	Piscine	120 Volt CA	300	30 pieds (approx. 9 m)	Acier inoxydable
WPHV300WS50	Piscine	120 Volt CA	300	50 pieds (approx. 15 m)	Acier inoxydable
WPHV300WS100	Piscine	120 Volt CA	300	100 pieds (approx. 30 m)	Acier inoxydable
WPHV300WS150	Piscine	120 Volt CA	300	150 pieds (approx. 45 m)	Acier inoxydable
WPHV300WS250	Piscine	120 Volt CA	300	250 pieds (approx. 75 m)	Acier inoxydable
WPHV300WS50C	Piscine (Canada)	120 Volt CA	300	50 pieds (approx. 15 m)	Acier inoxydable
WPHV300WS100C	Piscine (Canada)	120 Volt CA	300	100 pieds (approx. 30 m)	Acier inoxydable
WPHV500WS30	Piscine	120 Volt CA	500	30 pieds (approx. 9 m)	Acier inoxydable
WPHV500WS50	Piscine	120 Volt CA	500	50 pieds (approx. 15 m)	Acier inoxydable
WPHV500WS100	Piscine	120 Volt CA	500	100 pieds (approx. 30 m)	Acier inoxydable
WPHV500WS150	Piscine	120 Volt CA	500	150 pieds (approx. 45 m)	Acier inoxydable
WPHV500WS250	Piscine	120 Volt CA	500	250 pieds (approx. 75 m)	Acier inoxydable
WPHV500WS50C	Piscine (Canada)	120 Volt CA	500	50 pieds (approx. 15 m)	Acier inoxydable
WPHV500WS100C	Piscine (Canada)	120 Volt CA	500	100 pieds (approx. 30 m)	Acier inoxydable
WPLV100WP100	Piscine	12 Volts CA	100	100 pieds (approx. 30 m)	Plastique
WPLV300WP100	Piscine	12 Volts CA	300	100 pieds (approx. 30 m)	Plastique
WPHV300WP100	Piscine	120 Volt CA	300	100 pieds (approx. 30 m)	Plastique
WPHV500WP100	Piscine	120 Volt CA	500	100 pieds (approx. 30 m)	Plastique
WSLV100WS30	Spa	12 Volts CA	100	30 pieds (approx. 9 m)	Acier inoxydable
WSLV100WS50	Spa	12 Volts CA	100	50 pieds (approx. 15 m)	Acier inoxydable
WSLV100WS100	Spa	12 Volts CA	100	100 pieds (approx. 30 m)	Acier inoxydable
WSLV100WS50C	Spa (Canada)	12 Volts CA	100	50 pieds (approx. 15 m)	Acier inoxydable
WSLV100WS100C	Spa (Canada)	12 Volts CA	100	100 pieds (approx. 30 m)	Acier inoxydable
WSHV100WS30	Spa	120 Volt CA	100	30 pieds (approx. 9 m)	Acier inoxydable
WSHV100WS50	Spa	120 Volt CA	100	50 pieds (approx. 15 m)	Acier inoxydable
WSHV100WS100	Spa	120 Volt CA	100	100 pieds (approx. 30 m)	Acier inoxydable
WSHV100WS150	Spa	120 Volt CA	100	150 pieds (approx. 45 m)	Acier inoxydable
WSHV100WS250	Spa	120 Volt CA	100	250 pieds (approx. 75 m)	Acier inoxydable
WSHV100WS50C	Spa (Canada)	120 Volt CA	100	50 pieds (approx. 15 m)	Acier inoxydable
WSHV100WS100C	Spa (Canada)	120 Volt CA	100	100 pieds (approx. 30 m)	Acier inoxydable
WSLV100WP100	Spa	12 Volts CA	100	100 pieds (approx. 30 m)	Plastique
WSHV100WP100	Spa	120 Volt CA	100	100 pieds (approx. 30 m)	Plastique

Section 3. Installation d'une lampe Jandy Pro Series sur un chantier de construction

⚠ AVERTISSEMENT

Risque de choc électrique ou d'électrocution. Cette lampe immergée doit être installée par un électricien agréé ou certifié, ou par un réparateur de spa et piscine qualifié, en accord avec le Code national de l'électricité américain (NEC®), le Code électrique canadien (CEC) ainsi que tout autre code et arrêté local applicable. Une installation incorrecte peut entraîner un risque de problème électrique (choc électrique ou électrocution) pouvant causer des blessures graves et même la mort des installateurs ou utilisateurs de spa et piscine, ainsi que des dommages matériels.

Coupez toujours le courant de la piscine ou du spa au disjoncteur, avant de réparer la lampe. Négliger cette consigne risquerait de blesser grièvement ou mortellement par choc électrique le réparateur, les usagers du spa ou de la piscine et toute autre personne.

3.1 Préparation de la lampe pour l'installation

REMARQUE L'électricien doit compléter les étapes préparatoires avant d'installer la lampe ; voir la Figure 1 (ou la Figure 2 pour le spa).

Assurez-vous que la piscine ou le spa répond bien aux exigences du Code national d'électricité américain (NEC) et du Code canadien d'électricité (CEC) et à toutes les réglementations et directives en vigueur localement. L'installation doit être effectuée par un électricien certifié qui devra s'assurer que les exigences réglementaires sont satisfaites, voire dépassées, avant d'installer la lampe immergée. Voici certaines des normes du Code national de l'électricité américain auquel le système électrique de la piscine ou du spa doit se conformer:

1. Le circuit d'éclairage doit posséder un disjoncteur de fuite à la terre (DFT) pour les modèles de tension composée de 120 volts, ainsi qu'un disjoncteur au calibre approprié.
2. La boîte de jonction (ou le transformateur basse tension pour les modèles 12 Volts) doit se trouver à au moins huit (8) pouces (20 cm) au-dessus du niveau de l'eau, à au moins quatre (4) pouces (10 cm) au-dessus du niveau du sol et du deck de piscine et à au moins quatre (4) pieds (90 cm) du bord de la piscine ou du spa ; voir la Figure 1 pour les piscines et la Figure 2 pour les spas.

3. La lampe et tous les composants métalliques qui se trouvent dans un rayon de cinq (5) pieds (1,5 m) de la piscine ou du spa doivent être correctement mis à la terre électriquement et ce, à un point de terre fiable.
4. La niche immergée doit être installée correctement de manière à ce que le bord supérieur du verre de protection de la lampe immergée soit situé à au moins 18 pouces (45 cm) sous le niveau de l'eau de la piscine ou du spa. Voir la Figure 1 ou 2.
5. La niche immergée doit être correctement reliée à la terre via une cosse de mise à la terre No. 8 AWG située à l'arrière de la niche. Voir la Figure 1 ou 2.

REMARQUE Le système électrique de la piscine ou du spa peut être vérifié au moyen d'un kit d'essai de qualification électrique pour piscines et spas. Le kit d'essai est disponible chez les marchands locaux. L'inspection du circuit au moyen du kit en question doit être réalisée par un personnel breveté et adéquatement formé. Pour s'assurer que le système électrique de la piscine ou du spa répond bien à toutes les normes applicables, l'électricien doit également consulter le Service local de la construction.

N'utilisez que des niches immergées qui ont été approuvées (voir l'avis qui suit) afin d'assurer une installation correcte et sûre.

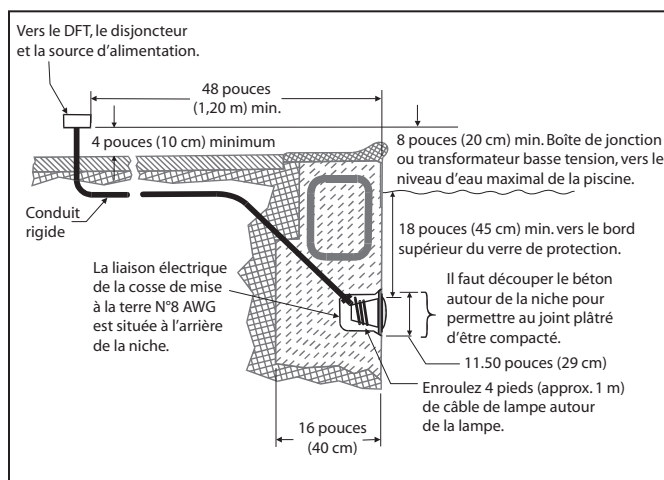


Figure 1. Installation d'une lampe blanche de piscine Jandy Pro Series

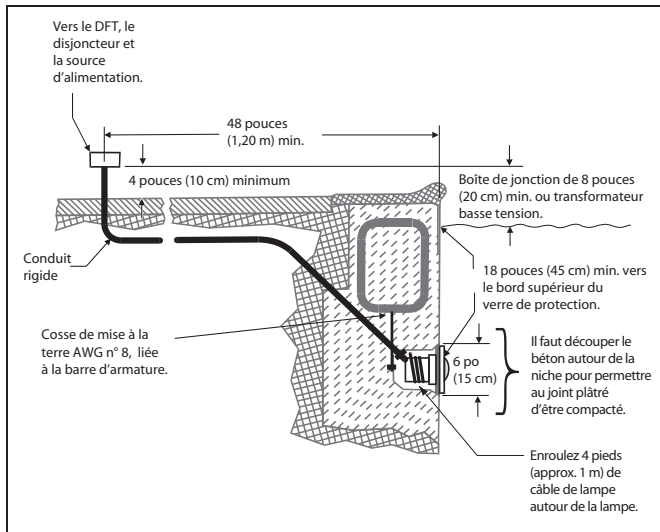


Figure 2. Installation d'une lampe blanche de spa Jandy Pro Series

REMARQUE

Les lampes de piscine et de spa Jandy Pro Series sont listées ETL (fichier/rapport ETL 3101015CHI-002) pour une installation *uniquement* avec les luminaires de niches immergées des fabricants suivants :

Numéros des modèles pour les niches de type piscine / large :

Jandy Pro Series : PLNICLRG, PLNICVFLRG, SSNICLRG1(R/S)
 Pentair : 620004, 78210200 jusqu'à 700, 78210401, 79206700
 Hayward DuraNiche : SP0600U
 Sta-Rite : 05161-2352 jusqu'à 2369, 05163-2395 jusqu'à 2396

Numéros des modèles pour les niches de type spa / petit :

Jandy Pro Series: PLCNICSM, SSNICSM1(R/S)
 Pentair : 78241100, 78242200, 78242300, 78243100 jusqu'à 300, 78244100 jusqu'à 300, 79206600
 Hayward DuraNiche : SP0601U
 Sta-Rite: 05166-1017 jusqu'à 1034, 05167-1035 jusqu'à 1037

3.2 Installation de la lampe

REMARQUE N'effectuez cette procédure *qu'après* vous être assuré que les exigences du système électrique sont satisfaites.

1. Faites passer le câble dans le conduit vers la boîte de jonction, en laissant au moins quatre pieds (122 cm) de câble enroulé autour de la lampe. Voir la Figure 1 (ou la Figure 2 pour le spa). Ces quatre (4) pieds (122 cm) de câble permettront l'entretien de la lampe après le remplissage du spa ou de la piscine.

2. Coupez le câble au niveau de la boîte de jonction, en laissant environ six (6) pouces (15 cm) de câble pour les connexions.
3. Dénudez six (6) pouces (15 cm) du câble pour exposer les trois fils isolés. *Attention de ne pas endommager les isolants des trois (3) fils qui sont à l'intérieur du câble.*
4. Installez le serre-câble sur la gaine de câble et connectez les trois (3) fils aux fils du circuit correspondants dans la boîte de jonction. Installez le couvercle de la boîte de jonction.

⚠ AVERTISSEMENT

Ne faites jamais fonctionner cette lampe immergée durant plus de 10 secondes si elle n'est pas totalement immergée. Si elle n'est pas totalement sous l'eau, la lampe va devenir extrêmement chaude, ce qui risquerait de vous brûler sévèrement ou de causer une défaillance de la lampe ou du verre de protection. Cela pourrait blesser grièvement les usagers ou les installateurs du spa et de la piscine, ou toute autre personne se tenant à proximité, et pourrait causer des dommages matériels.

5. Enroulez les 4 pieds (122 cm) de câble autour de la lampe et placez le tout dans la niche.
6. Engagez la languette de retenue du bas de la bague avant, faites pivoter le haut de la lampe vers l'intérieur et serrez la vis.

⚠ AVERTISSEMENT

N'utilisez que la vis-guide spéciale fournie avec cette lampe immergée. Cette vis maintient solidement et relie à la terre électriquement la bague de montage et la niche sous l'eau. Ne pas utiliser cette vis peut créer un danger électrique pouvant causer la mort par décharge électrique ou des blessures graves aux utilisateurs ou à l'installateur de la piscine ou du spa, ou à des tiers, et pouvant également provoquer des dégâts matériels.

7. Remplissez la piscine ou le spa jusqu'à ce que la lampe immergée soit complètement sous l'eau avant d'allumer la lampe pendant plus de 10 secondes. Allumez l'interrupteur ou le disjoncteur principal ainsi que l'interrupteur qui commande la lampe immergée pour vous assurer que l'installation fonctionne bien. Reportez-vous à la *Section 6, Mode d'emploi.*

Section 4. Remplacement d'une lampe Jandy Pro Series dans une piscine ou un spa existants

AVERTISSEMENT

Risque de choc électrique ou d'électrocution. Cette lampe immergée doit être installée par un électricien agréé ou certifié, ou par un réparateur de spa et piscine qualifié, en accord avec le Code national de l'électricité américain (NEC®), le Code électrique canadien (CEC) ainsi que tout autre code et arrêté local applicable. Une installation incorrecte peut entraîner un risque de problème électrique (choc électrique ou électrocution) pouvant causer des blessures graves et même la mort des installateurs ou utilisateurs de spa et piscine, ainsi que des dommages matériels.

Coupez toujours le courant de la piscine ou du spa au disjoncteur, avant de réparer la lampe. Négliger cette consigne risquerait de blesser grièvement ou mortellement par choc électrique le réparateur, les usagers du spa ou de la piscine et toute autre personne.

4.1 Préparation de la lampe pour son remplacement

Vérifiez que la piscine ou le spa répond bien au Code national électrique américain (NEC) aux États-Unis, au Code électrique canadien (CEC) et à tous les codes et réglementations en vigueur localement. L'installation doit être effectuée par un électricien certifié qui devra s'assurer que les exigences réglementaires sont satisfaites, voire dépassées, avant d'installer la lampe immergée. Voici certaines des normes du Code national de l'électricité américain, auxquelles le système électrique du spa ou de la piscine doit se conformer:

1. Le circuit d'éclairage doit posséder un disjoncteur de fuite de terre (DFT) pour les modèles de tension composée de 120 volts, ainsi qu'un disjoncteur au calibre approprié.
2. La boîte de jonction (ou bien, pour les modèles de 12 volts, le transformateur basse tension) doit être située à au moins 8 pouces (20 cm) au dessus du niveau de l'eau, à au moins 4 pouces (10 cm) au-dessus du niveau du sol ou du bord de la piscine, et à au moins 48 pouces (122 cm) du rebord de la piscine ou du spa. Voir la Figure 1 (ou la Figure 2 pour le spa).

3. La lampe et tous les composants métalliques qui se trouvent dans un rayon de cinq (5) pieds (1,5 m) de la piscine ou du spa doivent être correctement mis à la terre électriquement et ce, à un point de terre fiable.
4. La niche immergée doit être installée correctement de manière à ce que le bord supérieur du verre de protection de la lampe immergée soit situé à au moins 18 pouces (45 cm) sous le niveau de l'eau de la piscine ou du spa. Voir la Figure 1 (ou la Figure 2 pour le spa).
5. La niche immergée doit être correctement reliée à la terre via une cosse de mise à la terre No. 8 AWG située à l'arrière de la niche. Voir la Figure 1 (ou la Figure 2, pour le spa).

Pour s'assurer que le système électrique de la piscine ou du spa répond bien à toutes les normes applicables, l'électricien doit également consulter le Service local de la construction.

4.2 Remplacement de la lampe

REMARQUE N'effectuez cette procédure *qu'après* vous être assuré que les exigences du système électrique sont satisfaites.

AVERTISSEMENT

Si le système électrique du spa ou de la piscine n'est pas conforme aux normes du Code avant d'installer la lampe immergée, il y a danger électrique susceptible de causer la mort par décharge électrique ou des blessures graves aux usagers ou aux installateurs du spa ou de la piscine ou à des tiers, et de causer des dommages matériels.

REMARQUE Il est possible de changer la lampe sans vider la piscine ou le spa.

1. Eteignez l'interrupteur électrique ou le disjoncteur principal ainsi que l'interrupteur qui commande la lampe immergée.
2. Dévissez la vis-guide spéciale située en haut de la bague avant et sortez la lampe de la niche pour la placer sur le bord de la piscine.

AVERTISSEMENT

Gardez bien la vis-guide de cette lampe immergée. Cette vis maintient solidement et relie à la terre électriquement le boîtier et la bague de montage et la niche sous l'eau. Ne pas utiliser cette vis peut créer un danger électrique pouvant causer la mort par décharge électrique ou des blessures graves aux utilisateurs ou à l'installateur de la piscine ou du spa, ou à des tiers, et pouvant également provoquer des dégâts matériels.

3. Retirez le couvercle de la boîte de jonction, déconnectez les fils de la lampe et le serre-câble et tirez sur le câble pour le faire sortir du conduit à partir de la niche.
4. Faites passer le câble de la nouvelle lampe dans le conduit de la niche jusqu'à la boîte de jonction.

REMARQUE Selon la longueur du conduit, vous aurez peut-être besoin d'outils spéciaux pour acheminer le câble.

5. Laissez au moins 4 pieds (122 cm) de câble à enrouler autour de la lampe ; voir la Figure 1 (ou la Figure 2 pour le spa). Cela permettra d'assurer l'entretien de la lampe quand le spa ou la piscine sera rempli d'eau.
6. Coupez le câble au niveau de la boîte de jonction, en laissant au moins six (6) pouces (15 cm) de câble pour faire les connexions.
7. Dénudez le câble sur six (6) pouces (15 cm) pour exposer les trois fils internes isolés. Prenez garde de ne pas abîmer l'isolant des 3 fils intérieurs.
8. Installez le serre-câble sur le câble et connectez les trois fils aux fils correspondants de la boîte de jonction. Installez le couvercle de la boîte de jonction.
9. Réinstallez la lampe dans la niche et serrez la vis-guide spéciale.

AVERTISSEMENT

N'utilisez que la vis-guide spéciale fournie avec cette lampe immergée. Cette vis sert à fixer de manière sûre, tout en la connectant à la terre, la bague de montage à la niche sous l'eau. Ne pas utiliser cette vis peut créer un danger électrique pouvant causer la mort par décharge électrique ou des blessures graves aux utilisateurs ou à l'installateur de la piscine ou du spa, ou à des tiers, et pouvant également provoquer des dégâts matériels.

10. Remplissez la piscine ou le spa jusqu'à ce que la lampe immergée soit complètement sous l'eau, avant d'allumer celle-ci pendant plus de 10 secondes. Allumez l'interrupteur ou le disjoncteur principal ainsi que l'interrupteur qui commande la lampe immergée pour vérifier qu'elle fonctionne bien. Reportez-vous à la Section 6, *Mode d'emploi*.

AVERTISSEMENT

Ne faites jamais fonctionner cette lampe immergée durant plus de 10 secondes si elle n'est pas totalement immergée. Si elle n'est pas totalement sous l'eau, la lampe va devenir extrêmement chaude, ce qui risquerait de vous brûler sévèrement ou de causer une défaillance de la lampe ou du verre de protection. Cela pourrait blesser grièvement les usagers ou les installateurs du spa et de la piscine, ou toute autre personne se tenant à proximité, et pourrait causer des dommages matériels.

Section 5. Options de câblage pour contrôler les lampes blanches de piscine et de spa Jandy Pro Series

REMARQUE Il est possible de faire varier l'intensité de l'éclairage des **lampes blanches de piscine et de spa Jandy Pro Series** si un module de gradation d'intensité lumineuse a été ajouté au système de contrôle ou à l'interrupteur.

Un interrupteur unique peut faire fonctionner toutes les **lampes blanches de piscine et de spa Jandy Pro Series** dans la mesure où les normes en vigueur et la capacité des circuits électriques le permettent.

5.1 Câblage à un système de contrôle RS Aqualink®

Les **lampes de piscine et de spa Jandy Pro Series** peuvent être raccordées au système de contrôle RS Aqualink Jandy Pro Series, pour simplifier le contrôle des lampes. Raccordez les lampes à l'un des relais auxiliaires dans la centrale d'alimentation.

REMARQUE Il est conseillé de ne raccorder qu'une seule lampe par relais, pour que chaque lampe puisse être commandée séparément. Toutefois, un maximum de quatre lampes peuvent être raccordées sur un même relais. S'il se trouve plus de quatre lampes installées sur un système RS Aqualink, assurez-vous qu'il y ait plusieurs relais disponibles dans la centrale d'alimentation.

Reportez-vous aux Figures 3 et 4 pour raccorder les **lampes de piscine et de spa Jandy Pro Series** à la centrale d'alimentation.

MISE EN GARDE

Pour les modèles de 120 volts, un disjoncteur de fuite de terre (DFT) doit être utilisé. Les conducteurs du côté demande du circuit du disjoncteur de fuite à la terre (DFT) ne doivent pas se trouver dans les conduits, boîtiers, ou enveloppes contenant d'autres conducteurs, à moins que les conducteurs supplémentaires soient aussi protégés par un DFT. Reportez-vous aux codes locaux pour plus de détails.

REMARQUE Les **lampes blanches de piscine et de spa Jandy Pro Series** sont disponibles en 120 volts et en 12 volts. Si vous installez une lampe 12 volts, vous devez utiliser un transformateur abaisseur (CA) de 120 volts/12 volts. Pour plus de détails sur les installations 12 volts, reportez-vous à la *Section 8* de ce guide.

5.2 Câblage à une horloge

Les **lampes de piscine et de spa Jandy Pro Series** peuvent être raccordées à une horloge simple pour allumer automatiquement les lampes à une heure précise. Reportez-vous à la Figure 5 pour raccorder les lampes à l'horloge.

Modèle Jandy Pro Series	Tension du luminaire	Tension de la lampe	Puissance de la lampe	Type de lampe	Qté. par lampe	Numéro de pièce du kit de lampe
Lampe blanche de piscine/spa	12 Volts CA	12V	100 Watts	R20 Flood	1	R0450501
Lampe blanche de piscine	120 Volt CA	120V	300 Watts	R40 Flood	1	R0450502
Lampe blanche de piscine	12 Volts CA	12V	300 Watts	R40 Flood	1	R0450503
Lampe blanche de piscine	120 Volt CA	120V	500 Watts	R40 Flood	1	R0450504
Lampe blanche de spa	120 Volt CA	120V	100 Watts	R20 Flood	1	R0450505

Tableau 1. Caractéristiques techniques de la lampe

5.3 Câblage à un interrupteur

Les **lampes de piscine et de spa Jandy Pro Series** peuvent être raccordées à un interrupteur de manière à pouvoir allumer et éteindre les lampes manuellement. Reportez-vous à la Figure 6 pour connecter les lampes à l'interrupteur.

Section 6. Consignes d'utilisation

6.1 Pour faire fonctionner la lampe

Pour allumer les lampes, appuyez sur l'interrupteur, créez un programme ou appuyez sur la touche située sur le dispositif de commande de la piscine et du spa.

Section 7. Remplacement de la lampe

AVERTISSEMENT

Déconnectez toujours l'alimentation de la lampe de piscine ou de spa au niveau du disjoncteur avant d'entreprendre une réparation de la lampe. Ne pas respecter cette consigne risque de causer la mort par décharge électrique ou des blessures graves à l'installateur, au technicien d'entretien, aux utilisateurs du spa ou de la piscine ou à des tiers.

1. Éteignez l'interrupteur électrique ou le disjoncteur principal ainsi que l'interrupteur qui commande la lampe immergée.
2. Assurez-vous de disposer du matériel suivant :
 - **Un joint de verre de protection neuf (Réf. R0451101 pour lampe de piscine Jandy Pro Series et R0400501 lampe de spa Jandy Pro Series).**
 - Une (1) nouvelle lampe. Voir le Tableau 1 pour les caractéristiques techniques.

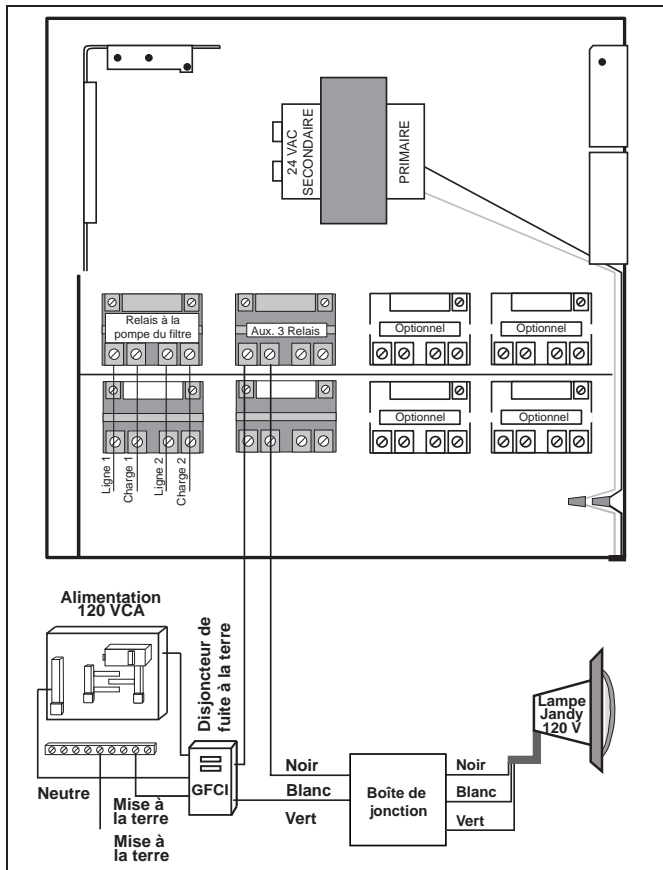


Figure 3. Schéma de câblage d'une lampe blanche de 120 volts pour piscine et spa Jandy Pro Series

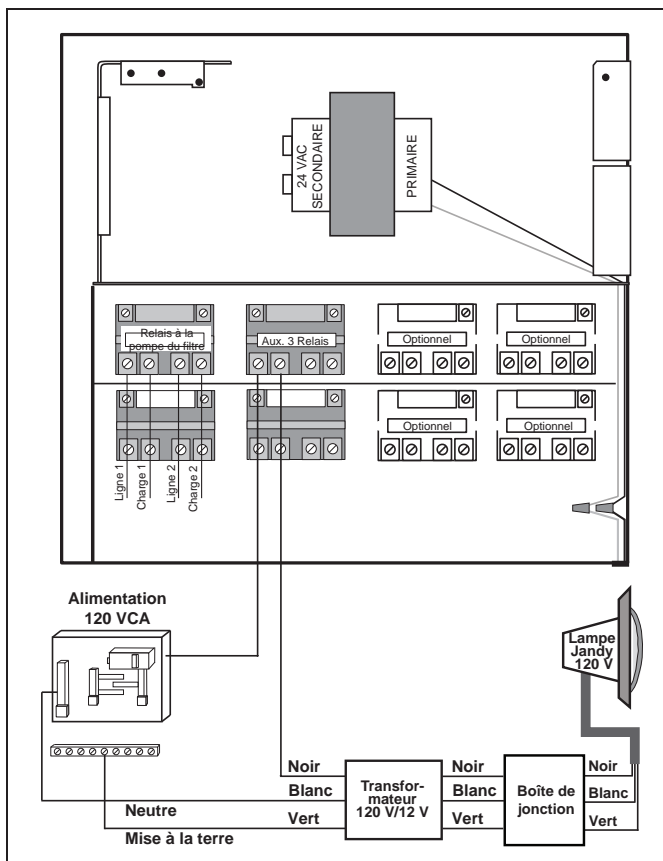


Figure 4. Schéma de câblage d'une lampe blanche de 12 volts pour piscine et spa Jandy Pro Series

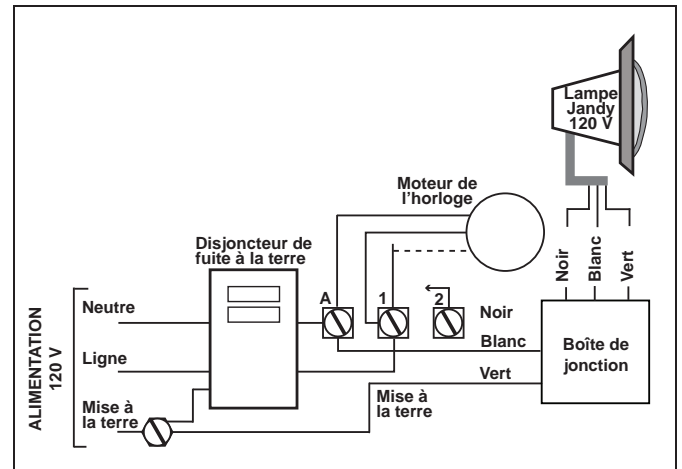


Figure 5. Câblage d'une lampe blanche de piscine et de spa Jandy Pro Series à une horloge

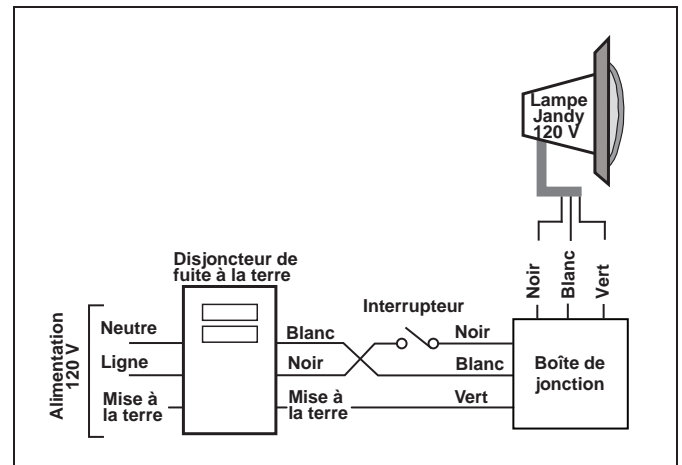


Figure 6. Câblage d'une lampe blanche de piscine et de spa Jandy Pro Series à un interrupteur

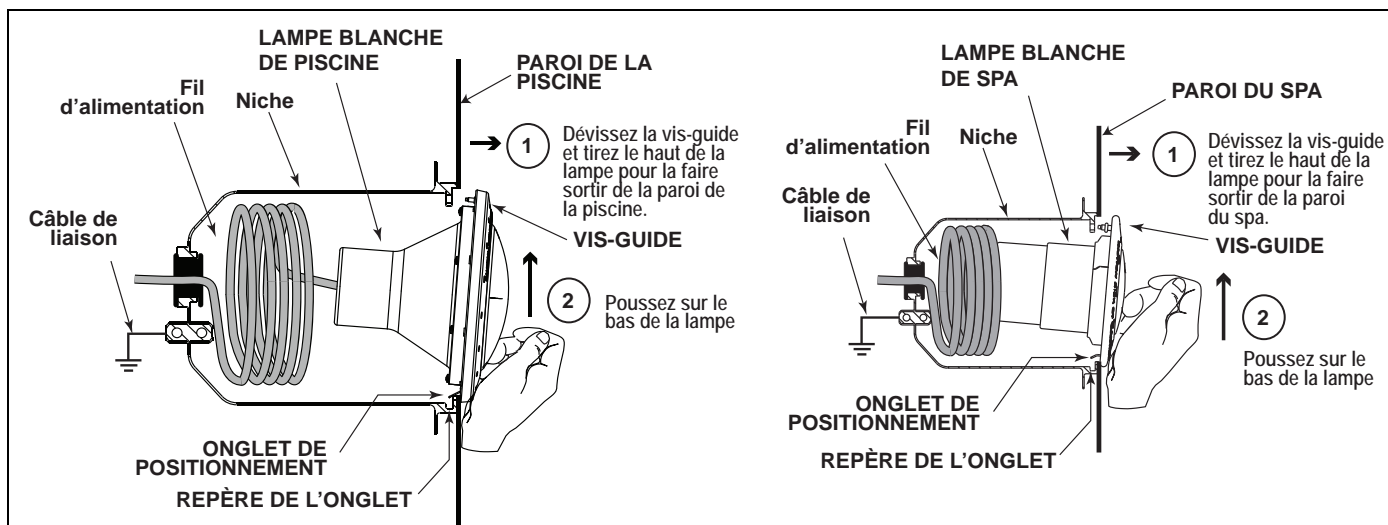


Figure 7. Démontage de la lampe blanche de piscine et de spa pour son remplacement

⚠ AVERTISSEMENT

Remplacez toutes les lampes par des lampes de type et de puissance équivalents. Si vous changez le type de l'ampoule, vous risquez d'endommager la lampe et de créer un danger électrique pouvant causer la mort par décharge électrique ou des blessures graves aux utilisateurs ou à l'installateur de la piscine ou du spa, ou à des tiers, et pouvant également provoquer des dégâts matériels. Assurez-vous de **COUPER** le courant avant de retirer ou d'installer une lampe. Laissez la lampe refroidir avant de la changer.

3. Pour démonter la lampe, dévissez la vis-guide spéciale située sur le haut de la bague avant, sortez la lampe de la niche, et mettez-la sur le bord de la piscine. Il n'est pas nécessaire de vider la piscine ou le spa. Voir la Figure 7.

⚠ AVERTISSEMENT

Gardez bien la vis-guide de cette lampe immergée. Cette vis maintient solidement et relie à la terre électriquement le boîtier dans la bague de montage et dans la niche sous l'eau. Ne pas utiliser cette vis peut créer un danger électrique pouvant causer la mort par décharge électrique ou des blessures graves aux utilisateurs ou à l'installateur de la piscine ou du spa, ou à des tiers, et pouvant également provoquer des dégâts matériels.

4. Démontez le luminaire et remplacez la lampe comme suit.
 - a. Desserrez les huit (8) vis cruciformes de la lampe de piscine ou les six (6) vis cruciformes de la lampe de spa pour pouvoir retirer le crochet-support du bas de la bague avant. Ne retirez ni les vis, ni la bague avant. Les bagues de retenue empêchent les vis de tomber du crochet-support supérieur et facilitent la manipulation de la lampe.

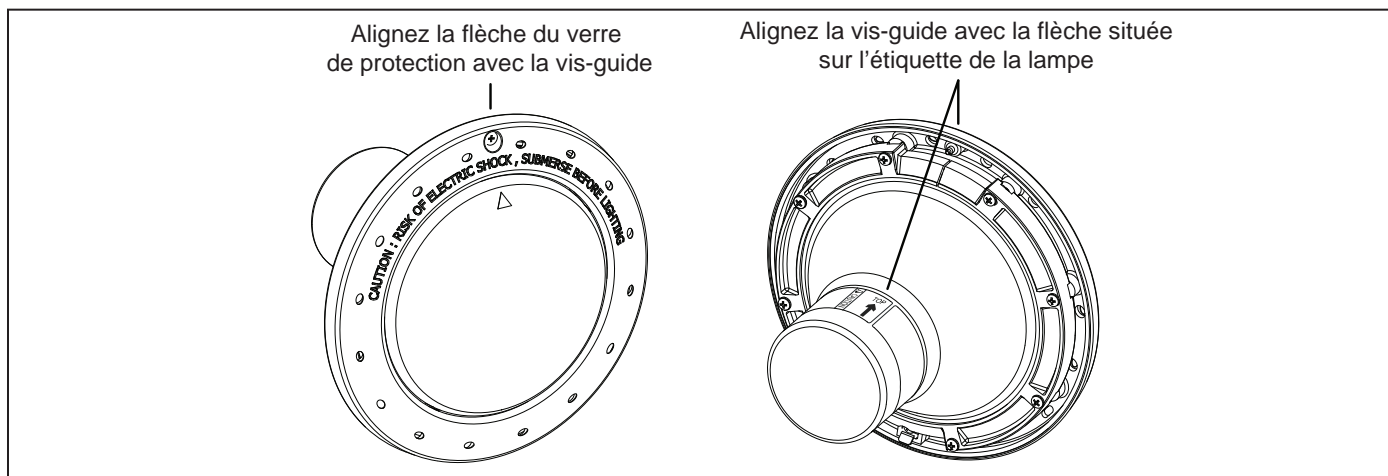


Figure 8. Alignement du verre de protection, de la bague avant, du boîtier et des crochets supports des lampes blanches de piscine

- b. Retirez le crochet-support du bas, la bague avant, le verre de protection et le joint de la lampe. Retirez le joint du verre de protection. Reportez-vous à la *Section 9, Vue éclatée et pièces de rechange*.
- c. Installez la nouvelle lampe.

AVERTISSEMENT

Risque de choc électrique ou d'électrocution.

Utilisez toujours un nouveau joint de verre de protection à chaque remontage de la lampe (joint **de lampe de piscine Jandy Pro Series** Réf. R0451101 et **joint de lampe de spa Jandy Pro Series** Réf. R0400501). Tout manquement à cette consigne peut entraîner une fuite d'eau à l'intérieur de la lampe ce qui pourrait provoquer :

- (a) danger électrique pouvant entraîner la mort par décharge électrique ou des blessures graves aux usagers ou les installateurs du spa ou de la piscine ou des tiers, ou
- (b) le bris du verre de protection de la lampe qui pourrait également blesser grièvement les utilisateurs et les installateurs du spa ou de la piscine ainsi que des personnes se trouvant à proximité et causer des dommages matériels.

- 5. Réassemblez la lampe comme suit :
 - a. Si ce n'est pas encore fait, retirez le joint du verre de protection et installez un joint neuf, **Joint de lampe de piscine Jandy Pro Series** (P/N R0451101) et **Joint de lampe de spa Jandy Pro Series** (P/N R0400501), sur le verre de protection.

REMARQUE Il faut utiliser un nouveau joint à chaque nouvel assemblage de la lampe.

- b. En maintenant la lampe debout, placez le verre de protection et le joint sur la lampe. Veuillez noter que le joint du verre de protection n'est pas symétrique. Il doit donc être installé de telle sorte que le verre soit monté de façon étanche sur le boîtier de la lampe. Placez le joint sur le verre de protection de telle sorte que le côté épais moulé du joint s'encastre dans le boîtier une fois le verre protecteur installé. Voir la Figure 11.

- c. Positionnez le verre de protection et le joint sur la lampe. Placez la bague avant et le crochet-support sur le verre de protection et mettez la vis-guide en face de la petite flèche qui se trouve sur le devant du verre de protection. Notez que la petite flèche qui se trouve devant le verre de protection et que la vis-guide de la bague avant doivent être mis en face de la flèche de l'étiquette de la lampe indiquant « La flèche de cette étiquette doit être alignée avec la vis-guide de la bague avant ». Voir la Figure 8.
- d. Tout en tenant la bague avant et la lampe bien positionnées l'une par rapport à l'autre, renversez la lampe et posez-la sur l'ancien joint en utilisant ce dernier pour maintenir la lampe. Cela empêchera le verre de protection et le joint de sortir de la bague avant pendant que vous les fixez dans la lampe.
- e. Répartissez le crochet-support du bas sur le câble électrique et faites-le glisser à l'arrière de la lampe sur le crochet-support du haut. Voir la Figure 8.
- f. Serrez les huit (8) vis cruciformes de la lampe de piscine ou les six (6) vis cruciformes de la lampe de spa en serrant tour à tour les vis qui sont en face l'une de l'autre. Serrez les vis à environ 20 po-lbs (2,2 Nm). Ne les serrez pas plus qu'il ne faut.
- g. Jetez l'ancien joint.
- 6. Remplacez la lampe Jandy Pro Series dans la niche.
 - a. Enroulez quatre pieds (122 cm) de câble autour de la lampe et placez la lampe dans la niche.
 - b. Engagez la languette de retenue qui se trouve en bas de la bague avant, faites pivoter le haut de la lampe vers l'intérieur et serrez la vis-guide spéciale.

AVERTISSEMENT

N'utilisez que la vis-guide spéciale fournie avec cette lampe immergée. Cette vis maintient solidement et relie à la terre électriquement le boîtier dans la bague de montage et dans la niche sous l'eau. Ne pas utiliser cette vis peut créer un danger électrique pouvant causer la mort par décharge électrique ou des blessures graves aux utilisateurs ou à l'installateur de la piscine ou du spa, ou à des tiers, et pouvant également provoquer des dégâts matériels.

7. Si la piscine ou le spa sont vides, remplissez-les jusqu'à ce que la lampe soit complètement immergée, avant d'allumer celle-ci pendant plus de 10 secondes. Allumez l'interrupteur ou le disjoncteur principal ainsi que l'interrupteur qui commande spécifiquement la lampe immergée pour vous assurer qu'elle fonctionne bien.

AVERTISSEMENT

Ne faites jamais fonctionner cette lampe immergée durant plus de 10 secondes si elle n'est pas totalement immergée. Si elle n'est pas totalement sous l'eau, la lampe va devenir extrêmement chaude, ce qui risquerait de vous brûler sévèrement ou de causer une défaillance de la lampe ou du verre de protection. Cela pourrait blesser grièvement les usagers ou les installateurs du spa et de la piscine, ou toute autre personne se tenant à proximité, et pourrait causer des dommages matériels.

Section 8. Installation 12 volts

Pour tous les modèles de lampes 12 volts, il faut un transformateur CA 12 volts. Utilisez un transformateur de taille appropriée pour le modèle de votre lampe.

REMARQUE Pour une performance optimale, Jandy Pro Series recommande l'utilisation d'un transformateur par lampe de 12 volts.

Pour garantir la conformité avec le Code national américain (NEC®) aux États-Unis (le Code électrique canadien (CEC) au Canada) et pour réduire le risque de choc électrique qui pourrait entraîner des blessures graves ou la mort, utilisez seulement un transformateur qui a été homologué et approuvé par un laboratoire nationalement reconnu (Nationally Recognized Testing Laboratory (NRTL)) pour l'utilisation dans les piscines et les spas.

Section 9. Vue éclatée et pièces de rechange

9.1 Lampe blanche de piscine Jandy Pro Series

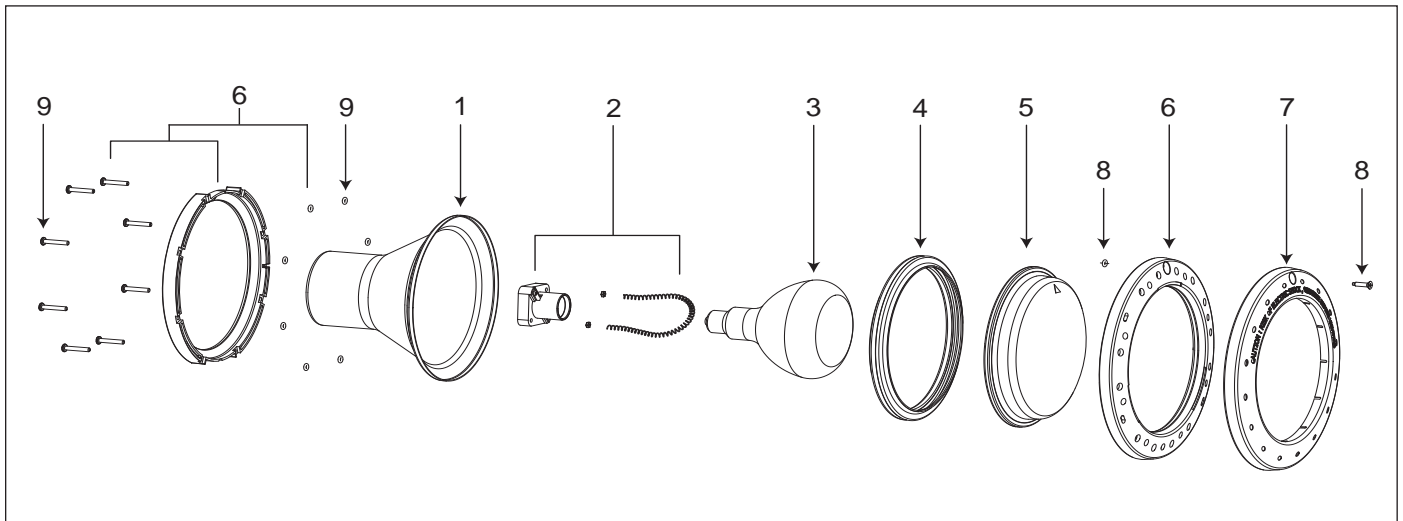


Figure 9. Vue éclatée de la lampe blanche de piscine Jandy Pro Series

N° DWG	N° pièce	Description	Remplaçable par le client
1	S/O	Boîtier de la lampe de piscine	NON – Achetez une nouvelle lampe
2	S/O	Support pour lampe	NON – Achetez une nouvelle lampe
3	R0450501	Lampe, 100 Watts, 12 Volts	OUI
3	R0450502	Lampe, 300 Watts, 120 Volts	OUI
3	R0450503	Lampe, 300 Watts, 12 Volts	OUI
3	R0450504	Lampe, 500 Watts, 120 Volts	OUI
4	R0451101	Joint en silicone, lampe de piscine	OUI
5	R0450601	Verre de protection, lampe de piscine	OUI
6	R0450701	Crochet-support, lampe de piscine	OUI
7	R0450801	Bague avant en acier inoxydable (Al), lampe de piscine	OUI
7	R0450802	Bague avant en plastique blanc, lampe de piscine	OUI
7	R0450803	Bague avant en plastique blanc, lampe de piscine	OUI
7	R0450804	Bague avant en plastique gris, lampe de piscine	OUI
7	R0450805	Bague avant, ensemble plastique, lampe de piscine	OUI
8	R0450901	Vis-guide avec dispositif de retenue, lampe de piscine	OUI
9	R0451001	Vis du crochet-support (8 vis et 8 disques de retenue), lampe de piscine	OUI

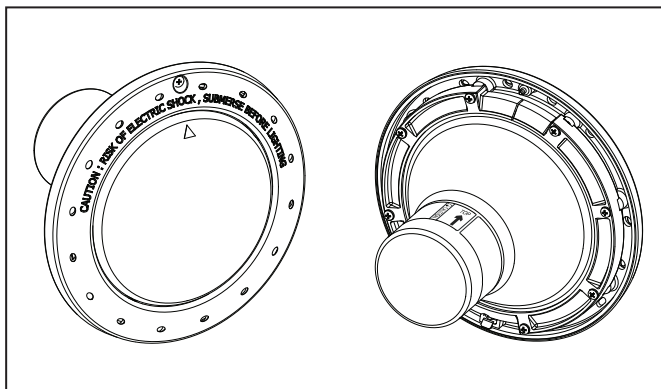


Figure 10. Lampe blanche de piscine Jandy Pro Series, vues avant et arrière

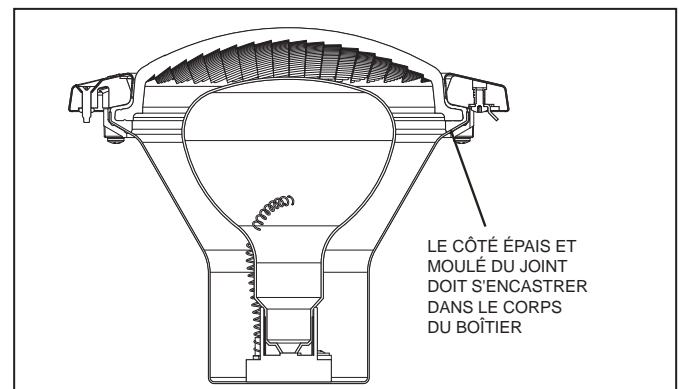


Figure 11. Vue en coupe de la lampe blanche de piscine Jandy Pro Series

9.2 Lampe de spa blanche Jandy Pro Series

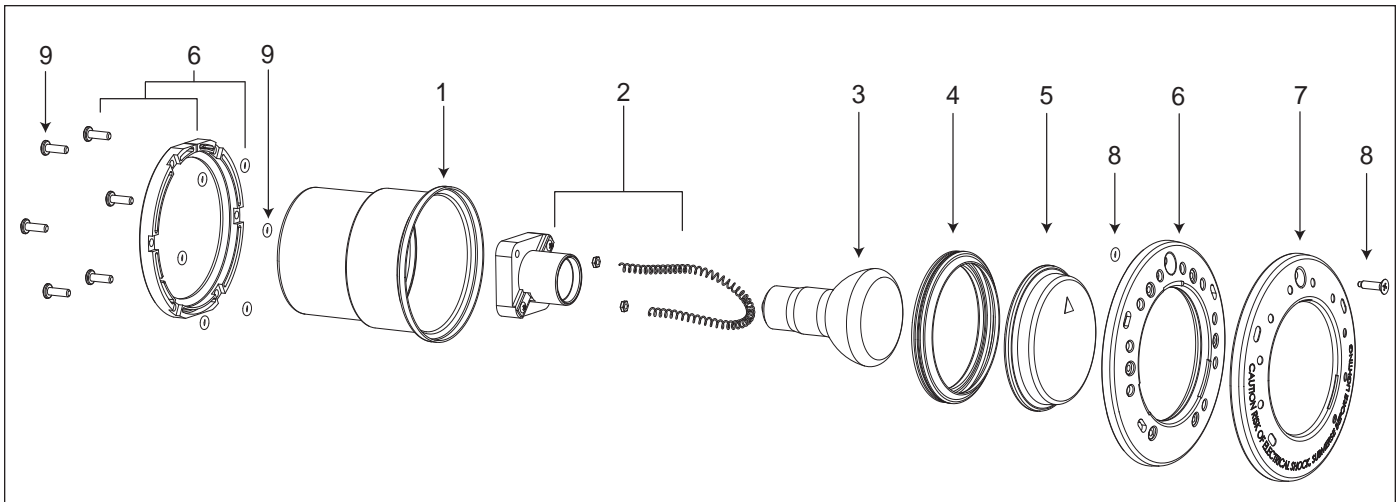


Figure 12. Lampe blanche de spa Jandy Pro Series, vue éclatée

N° DWG	N° pièce	Description	Remplaçable par le client
1	S/O	Boîtier de la lampe de spa	<i>NON – Achetez une nouvelle lampe</i>
2	S/O	Support pour lampe	<i>NON – Achetez une nouvelle lampe</i>
3	R0450501	Lampe, 100 Watts, 12 Volts	OUI
3	R0450505	Lampe, 100 Watts, 120 Volts	OUI
4	R0400501	Joint en silicone, lampe de spa	OUI
5	R0400601	Verre de protection, lampe de spa	OUI
6	R0451201	Crochet-support, lampe de spa	OUI
7	R0451301	Bague avant en acier inoxydable (Al), lampe de spa	OUI
7	R0451302	Bague avant en plastique blanc, lampe de spa	OUI
7	R0451303	Bague avant en plastique noir, lampe de spa	OUI
7	R0451304	Bague avant en plastique gris, lampe de spa	OUI
7	R0451305	Bague avant, ensemble plastique, lampe de spa	OUI
8	R0450901	Vis-guide avec dispositif de retenue, lampe de spa	OUI
9	R0451401	Vis du crochet-support (6 vis et 6 disques de retenue), lampe de spa	OUI

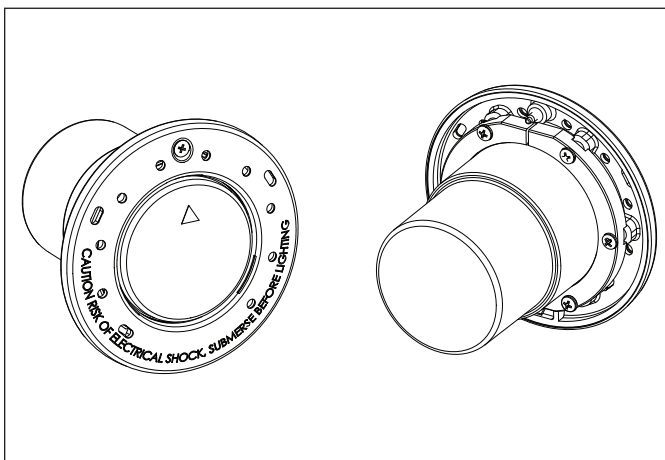


Figure 13. Lampe blanche de spa Jandy Pro Series, vues avant et arrière

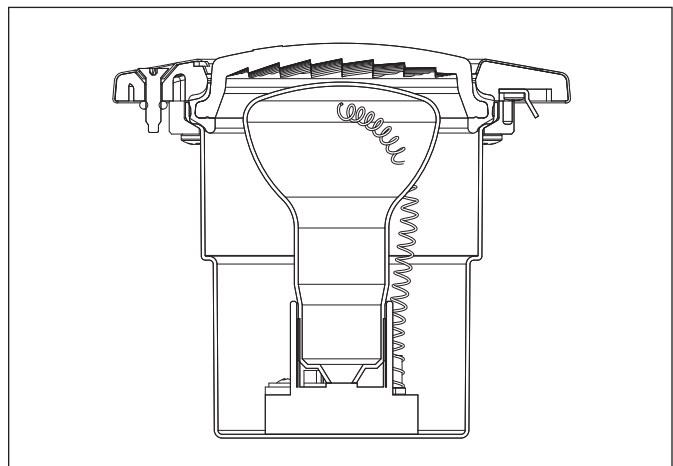


Figure 14. Vue en coupe de la lampe blanche de spa Jandy Pro Series

REMARQUES

REMARQUES

REMARQUES



LISTÉ ETL
CONFORME AUX NORMES UL STD 676
Certifié aux normes AN/CSA C22.2 N. 89

Zodiac Pool Systems, Inc.
2620 Commerce Way, Vista, CA 92081
1.800.822.7933 | www.ZodiacPoolSystems.com

©2014 Zodiac Pool Systems, Inc. ZODIAC® est une marque déposée de Zodiac International, SASU, utilisée sous licence. Toutes les autres marques citées sont la propriété respective de leur propriétaire.

H0312200 Rev C



Jandy Pro Series Luces blancas subacuáticas para piscinas y spas

⚠ ADVERTENCIA

PARA SU SEGURIDAD - Este producto debe ser instalado y mantenido por un contratista con licencia y calificaciones para equipos para piscinas otorgadas por la jurisdicción donde se instalará el producto en caso de que existan tales requisitos estatales o locales. En caso de que no existan tales requisitos estatales o locales, la persona que realice el mantenimiento debe ser un profesional con experiencia en la instalación y el mantenimiento de equipos para piscinas de manera que pueda seguir las instrucciones de este manual al pie de la letra. Antes de instalar este producto, lea y siga todas las instrucciones y preste atención a las advertencias en el manual adjunto. No prestar la debida atención a las advertencias e instrucciones puede ocasionar daños a la propiedad, lesiones personales e incluso la muerte. La instalación y la operación incorrectas será causa de anulación de la garantía.

Índice

Sección 1. Información importante de seguridad.....	40	Sección 5. Opciones de cableado para controlar las luces blancas Jandy Pro Series para piscinas o spas.....	45
Sección 2. La descripción del producto y el número de modelo.....	41	5.1 Cableado a un sistema de control AquaLink® ..	45
Sección 3. Instalación de la luz Jandy Pro Series en una obra de construcción.....	42	5.2 Cableado a un reloj registrador	45
3.1 Preparación de la luz para su instalación.....	42	5.3 Cableado a un interruptor	45
3.2 Instalación de luces	43	Sección 6. Instrucciones de operación	45
Sección 4. Reemplazo de la luz Jandy Pro Series en una piscina o spa existente.....	43	6.1 Para operar la luz	45
4.1 Preparación de la luz para su reemplazo	44	Sección 7. Reemplazo de la lámpara	47
4.2 Reemplazo de la luz	44	Sección 8. Instalación de doce (12) voltios.....	49
		Sección 9. Plano de despiece y piezas de repuesto 50	
		9.1 Luz blanca Jandy Pro Series para piscinas.....	50
		9.2 Luz blanca Jandy Pro Series para spas	51

Figuras y tablas

Figura 1. Instalación de la luz blanca Jandy Pro Series para piscinas.....	42	Figura 13. Luz blanca Jandy Pro Series para spas, plano frontal y trasero	51
Figura 2. Instalación de la luz blanca Jandy Pro Series para spas	42	Figura 14. Plano transversal de la luz blanca Jandy para spas.....	51
Figura 3. Diagrama de cableado de luces blancas Jandy Pro Series de 120 voltios para piscinas y spas	46	Tabla 1. Especificaciones de la lámpara	47
Figura 4. Diagrama de cableado de luces blancas Jandy Pro Series de 12 voltios para piscinas y spas.....	46		
Figura 5. Cableado de la luz blanca Jandy Pro Series para piscinas y spas a un reloj registrador.....	46		
Figura 6. Cableado de la luz blanca Jandy Pro Series para piscinas y spas a un Interruptor	46		
Figura 7. Extracción del conjunto de la luz blanca para piscinas y spas para reemplazar la lámpara	48		
Figura 8. Alineación del lente, Aro frontal, Compartimento y abrazaderas para luces blancas para piscinas	48		
Figura 9. Plano de despiece de la luz blanca Jandy Pro Series para piscinas	50		
Figura 10. Luz blanca Jandy Pro Series para piscinas, plano frontal y trasero	50		
Figura 11. Plano transversal de la luz blanca Jandy Pro Series para piscinas	50		
Figura 12. Plano de despiece de la luz blanca Jandy Pro Series para spas.....	51		

Sección 1. Información importante de seguridad

INSTRUCCIONES IMPORTANTES DE SEGURIDAD REFERENTES AL RIESGO DE INCENDIO, DESCARGA ELÉCTRICA O LESIONES A PERSONAS

LEA Y SIGA ESTAS INSTRUCCIONES

Cuando se instale y se utilice este equipo eléctrico, siempre se deben tener en cuenta todas las medidas de seguridad básicas, además de:

ADVERTENCIA

RIESGO DE DESCARGAS ELÉCTRICAS O ELECTROCUCIÓN Un electricista certificado o con licencia debe instalar esta luz subacuática, de acuerdo al Código Eléctrico Nacional (NEC®) en EE.UU., el Código Eléctrico Canadiense (CEC) si la instalación se hiciera en Canadá y las demás normas y ordenanzas locales correspondientes. La instalación incorrecta significará un riesgo eléctrico que puede provocar descargas eléctricas y dañar la propiedad, o causar la muerte o lesiones graves a los usuarios de la piscina o el spa, los instaladores u otras personas. Lea y siga las instrucciones específicas a continuación.

ADVERTENCIA

Antes de instalar esta luz subacuática, lea, siga las instrucciones y preste atención a las advertencias que vienen con el producto. No seguir las instrucciones ni prestar la debida atención a las advertencias puede ocasionar daños a la propiedad, lesiones graves y hasta la muerte. Llame al (800) 822-7933 para obtener copias adicionales y gratuitas de las instrucciones.

PRECAUCIÓN

Excepto cuando las luces Jandy Pro Series para piscinas y spas estén instaladas en una zona de la piscina donde no se utiliza para nadar, y el lente se encuentre protegido correctamente para evitar el contacto de cualquier persona, se deberá instalar la luz en o sobre la pared de la piscina, con la parte superior abierta no menos de 18 pulgadas (457 mm) por debajo del nivel de agua normal de la piscina.



ATENCIÓN PERSONA ENCARGADA DE LA INSTALACIÓN: Este manual contiene información importante sobre la instalación, la operación y el uso seguro de este producto. Esta información debe ser entregada al dueño u operador de este equipo.

GUARDE ESTAS INSTRUCCIONES

Sección 2. La descripción del producto y el número de modelo

Número de modelo Jandy Pro Series	Tamaño de luz blanca Jandy Pro Series	Voltaje	Vatios Máximo	Cable Longitud	Material del aro frontal
WPLV100WS30	PISCINA	12 voltios CA	100	30 pies	Acero inoxidable
WPLV100WS50	PISCINA	12 voltios CA	100	50 pies	Acero inoxidable
WPLV100WS100	PISCINA	12 voltios CA	100	100 pies	Acero inoxidable
WPLV100WS50C	Piscina (canadiense)	12 voltios CA	100	50 pies	Acero inoxidable
WPLV100WS100C	Piscina (canadiense)	12 voltios CA	100	100 pies	Acero inoxidable
WPLV300WS30	PISCINA	12 voltios CA	300	30 pies	Acero inoxidable
WPLV300WS50	PISCINA	12 voltios CA	300	50 pies	Acero inoxidable
WPLV300WS100	PISCINA	12 voltios CA	300	100 pies	Acero inoxidable
WPLV300WS50C	Piscina (canadiense)	12 voltios CA	300	50 pies	Acero inoxidable
WPLV300WS100C	Piscina (canadiense)	12 voltios CA	300	100 pies	Acero inoxidable
WPHV300WS30	PISCINA	12 voltios CA	300	30 pies	Acero inoxidable
WPHV300WS50	PISCINA	12 voltios CA	300	50 pies	Acero inoxidable
WPHV300WS100	PISCINA	12 voltios CA	300	100 pies	Acero inoxidable
WPHV300WS150	PISCINA	12 voltios CA	300	150 pies	Acero inoxidable
WPHV300WS250	PISCINA	12 voltios CA	300	250 pies	Acero inoxidable
WPHV300WS50C	Piscina (canadiense)	12 voltios CA	300	50 pies	Acero inoxidable
WPHV300WS100C	Piscina (canadiense)	12 voltios CA	300	100 pies	Acero inoxidable
WPHV500WS30	PISCINA	12 voltios CA	500	30 pies	Acero inoxidable
WPHV500WS50	PISCINA	12 voltios CA	500	50 pies	Acero inoxidable
WPHV500WS100	PISCINA	12 voltios CA	500	100 pies	Acero inoxidable
WPHV500WS150	PISCINA	12 voltios CA	500	150 pies	Acero inoxidable
WPHV500WS250	PISCINA	12 voltios CA	500	250 pies	Acero inoxidable
WPHV500WS50C	Piscina (canadiense)	12 voltios CA	500	50 pies	Acero inoxidable
WPHV500WS100C	Piscina (canadiense)	12 voltios CA	500	100 pies	Acero inoxidable
WPLV100WP100	PISCINA	12 voltios CA	100	100 pies	Plástico
WPLV300WP100	PISCINA	12 voltios CA	300	100 pies	Plástico
WPHV300WP100	PISCINA	12 voltios CA	300	100 pies	Plástico
WPHV500WP100	PISCINA	12 voltios CA	500	100 pies	Plástico
WSLV100WS30	Spa	12 voltios CA	100	30 pies	Acero inoxidable
WSLV100WS50c	Spa	12 voltios CA	100	50 pies	Acero inoxidable
WSLV100WS100	Spa	12 voltios CA	100	100 pies	Acero inoxidable
WSLV100WS50C	Spa (canadiense)	12 voltios CA	100	50 pies	Acero inoxidable
WSLV100WS100C	Spa (canadiense)	12 voltios CA	100	100 pies	Acero inoxidable
WSHV100WS30	Spa	12 voltios CA	60	30 pies	Acero inoxidable
WSHV100WS50	Spa	12 voltios CA	60	50 pies	Acero inoxidable
WSHV100WS100	Spa	12 voltios CA	60	100 pies	Acero inoxidable
WSHV100WS150	Spa	12 voltios CA	60	150 pies	Acero inoxidable
WSHV100WS250	Spa	12 voltios CA	60	250 pies	Acero inoxidable
WSHV100WS50C	Spa (canadiense)	12 voltios CA	60	50 pies	Acero inoxidable
WSHV100WS100C	Spa (canadiense)	12 voltios CA	60	100 pies	Acero inoxidable
WSLV100WP100	Spa	12 voltios CA	100	100 pies	Plástico
WSHV100WP100	Spa	12 voltios CA	60	100 pies	Plástico

Sección 3. Instalación de la luz Jandy Pro Series en una obra de construcción

⚠ ADVERTENCIA

Riesgo de descargas eléctricas o electrochoques. Un electricista certificado o con licencia o una persona encargada del mantenimiento de la piscina o el spa debe instalar esta luz subacuática, de acuerdo al Código Eléctrico Nacional (NEC®) en EE.UU., el Código Eléctrico Canadiense (CEC) si la instalación se hiciera en Canadá y las demás normas y ordenanzas locales correspondientes. La instalación incorrecta significará un riesgo eléctrico que puede provocar descargas eléctricas y dañar la propiedad, o causar la muerte o lesiones graves a los usuarios de la piscina o el spa, los instaladores u otras personas.

Antes de realizar el mantenimiento de la luz, desconecte siempre la fuente de alimentación de la luz en el disyuntor de la piscina o del spa. De lo contrario, se podrían generar descargas eléctricas y provocar lesiones graves o la muerte a la persona encargada del mantenimiento y a los usuarios de la piscina o el spa.

3.1 Preparación de la luz para su instalación

NOTA El electricista debe completar los pasos de preparación antes de instalar la luz; véase Figura 1 (o Figura 2, para spas).

Asegúrese de que la piscina o el spa cumplan con los requisitos del Código Eléctrico Nacional (NEC®) en EE.UU., el Código Eléctrico Canadiense (CEC) si la instalación se hiciera en Canadá y las demás normas y ordenanzas locales correspondientes. Un electricista certificado o con licencia debe instalar el sistema eléctrico de modo que cumpla o sobrepase los requisitos pertinentes previo a la instalación de la luz subacuática. Algunos de los requisitos del Código Eléctrico Nacional de EE. UU., que deben cumplir los sistemas eléctricos de la piscina o el spa son:

1. El circuito de la luz debe tener un interruptor del circuito de fallos de conexión a tierra (GFCI) para los modelos de 120 voltios, y debe tener un cortacircuitos de clasificación apropiada.
2. La caja terminal (o un transformador de voltaje bajo para los modelos de 12 voltios) debe ubicarse al menos a ocho (8) pulgadas por encima del nivel del agua, al menos a cuatro (4) pulgadas por encima del nivel del suelo o del perímetro exterior de la piscina, y al menos a cuatro (4) pies del borde de la piscina o el spa; véase Figura 1 para piscinas y Figura 2 para spas.
3. La luz y todos los elementos metálicos que estén a menos de cinco (5) pies de la piscina o el spa deben estar correctamente interconectados y tener una conexión a tierra fiable.

4. El nicho debe estar instalado correctamente, de manera que la parte superior del lente de la luz subacuática se encuentre al menos a 18 pulgadas por debajo de la superficie de agua en la piscina o el spa; véase Figura 1 o 2.
5. El nicho debe tener sus partes metálicas correctamente interconectadas y una conexión a tierra a través de un conector a tierra AWG N° 8 ubicado en la parte trasera del nicho; véase Figura 1 o 2.

NOTA Es posible verificar el sistema eléctrico de la piscina o del spa con un Pool and Spa Electrical Qualification Test kit (kit de verificación de la calificación eléctrica de piscina o spa). El kit de verificación está disponible localmente. Una persona certificada y capacitada deberá efectuar la inspección del sistema eléctrico con este set de verificación. Para asegurarse de que el sistema eléctrico de la piscina o el spa cumplan con todos los requisitos correspondientes, el electricista debe consultar además con el departamento de construcción de su localidad.

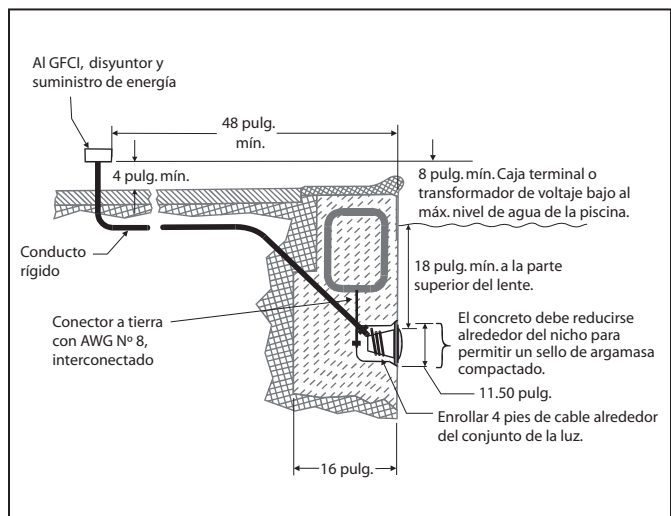


Figura 1. Instalación de la luz blanca Jandy Pro Series para piscinas

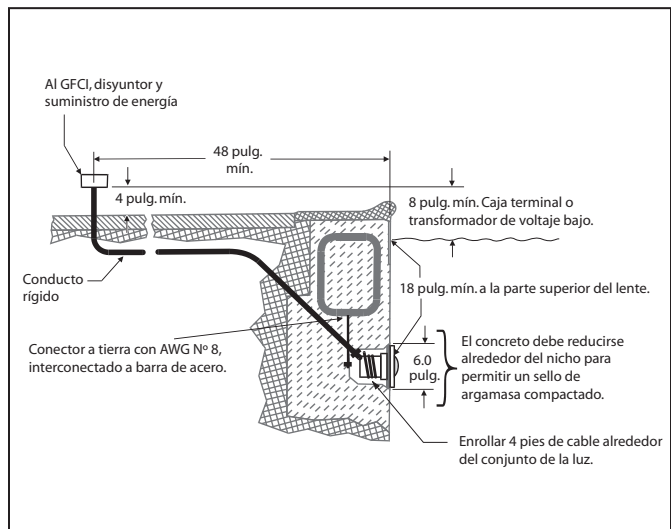


Figura 2. Instalación de la luz blanca Jandy Pro Series para spas

Utilice solo nichos autorizados (véase la siguiente nota) para asegurarse de realizar la instalación de forma segura y apropiada.

NOTA Las luces Jandy Pro Series para piscinas y spas tienen la aprobación ETL (registro/archivo 3101015CHI-002 de ETL) para instalarse *solamente* con accesorios de luces de nicho de los siguientes fabricantes:

Números de modelos de nicho tipo grande/piscinas:

Jandy Pro Series: PLNICLRG, PLNICVFLRG, SSNICLRG1(R/S)

Pentair®: 620004, 78210200 a 700, 78210401, 79206700

Hayward® DuraNiche: SP0600U

Sta-Rite®: 05161-2352 a 2369, 05163-2395 a 2396

Números de modelo de nicho tipo pequeño/spas:

Jandy Pro Series: PLCNICSM, SSNICSM1(R/S)

Pentair: 78241100, 78242200, 78242300, 78243100 a 300, 78244100 a 300, 79206600

Hayward DuraNiche: SP0601U

Sta-Rite: 05166-1017 a 1034, 05167-1035 a 1037

3.2 Instalación de luces

NOTA Siga estos pasos *solamente* después de haber cumplido los requisitos eléctricos del sistema.

- Haga pasar el cable a través del conducto hacia la caja terminal, y deje al menos cuatro (4) pies de cable en la luz para enrollarlo alrededor de la misma; véase Figura 1 (o Figura 2, para spas). Estos cuatro (4) pies de cable alrededor de la luz facilitan el mantenimiento una vez que la piscina o el spa estén llenos.
- Corte el cable en la caja terminal, y deje al menos seis (6) pulgadas de cable para realizar las conexiones.
- Pelee seis (6) pulgadas de la camisa del cable para dejar al descubierto los tres cables aislados. *Tenga cuidado de no dañar el aislamiento de los tres (3) cables internos.*
- Instale el aliviador de tensión en la camisa del cable y conecte los tres (3) cables a los circuitos correspondientes en la caja terminal. Instale la cubierta de la caja terminal

⚠ ADVERTENCIA

Nunca opere esta luz subacuática por más de 10 segundos a menos que esté completamente sumergida en el agua. De lo contrario, el conjunto de la luz se calentará demasiado lo que podría provocar quemaduras graves o la rotura de la lámpara o el lente. Esto puede dañar la propiedad o resultar en lesiones graves a los usuarios de la piscina o el spa, las personas encargadas de la instalación, o las personas alrededor.

- Enrolle los 4 pies de largo del cable alrededor de la luz y coloque el conjunto de la luz en el nicho.
- Enganche la brida de retención a la parte inferior del aro frontal, luego gire la parte superior de la luz hacia adentro y apriete el tornillo piloto especial.

⚠ ADVERTENCIA

Utilice los tornillos piloto especiales que vienen con esta luz subacuática. Este tornillo monta y establece una conexión a tierra segura entre el anillo de montaje y el nicho. Toda falla que surgiera durante la utilización del tornillo, esto podría generar una descarga eléctrica y provocar lesiones graves o la muerte de los usuarios de la piscina o el spa o las personas encargadas de la instalación.

- Llene la piscina o el spa hasta que la luz subacuática quede totalmente sumergida en el agua antes de poner a funcionar la luz durante más de 10 segundos. Encienda el interruptor principal o el disyuntor y el interruptor que hace operar la luz subacuática para verificar que funcionen correctamente. Véase la *Sección 6, Instrucciones de operación.*

Sección 4. Reemplazo de la luz Jandy Pro Series en una piscina o spa existente

⚠ ADVERTENCIA

Riesgo de descargas eléctricas o electrochoques. Un electricista certificado o con licencia o una persona encargada del mantenimiento de la piscina o el spa debe instalar esta luz subacuática, de acuerdo al Código Eléctrico Nacional (NEC®) en EE.UU., el Código Eléctrico Canadiense (CEC) si la instalación se hiciera en Canadá y las demás normas y ordenanzas locales correspondientes. La instalación incorrecta significará un riesgo eléctrico que puede provocar descargas eléctricas y dañar la propiedad, o causar la muerte o lesiones graves a los usuarios de la piscina o el spa, los instaladores u otras personas.

Antes de realizar el mantenimiento de la luz, desconecte siempre la fuente de alimentación de la luz en el disyuntor de la piscina o del spa. De lo contrario, se podrían generar descargas eléctricas y provocar lesiones graves o la muerte a la persona encargada del mantenimiento y a los usuarios de la piscina o el spa.

4.1 Preparación de la luz para su reemplazo

Verifique que la piscina o el spa cumplan con los requisitos del Código Eléctrico Nacional (NEC®) de EE.UU., el Código Eléctrico Canadiense (CEC) si la instalación se hiciera en Canadá y las demás normas y ordenanzas locales correspondientes. Un electricista certificado o con licencia debe instalar el sistema eléctrico de modo que cumpla o sobrepase los requisitos pertinentes previo a la instalación de la luz subacuática. Algunos de los requisitos del Código Eléctrico Nacional, que el sistema eléctrico de la piscina o el spa debe cumplir son:

1. El circuito de la luz debe tener un interruptor del circuito de fallos de conexión a tierra (GFCI) para los modelos de 120 voltios, y debe tener un cortacircuitos de clasificación apropiada.
2. La caja terminal (o un transformador de voltaje bajo para los modelos de 12 voltios) debe ubicarse al menos a ocho (8) pulgadas por encima del nivel del agua, al menos a cuatro (4) pulgadas por encima del nivel del suelo o del perímetro exterior de la piscina, y al menos a 48 pulgadas del borde de la piscina o el spa; véase Figura 1 (o Figura 2, para spas).
3. La luz y todos los elementos metálicos que estén a menos de cinco (5) pies de la piscina o el spa deben estar correctamente interconectados y tener una conexión a tierra fiable.
4. El nicho debe estar instalado correctamente, de manera que la parte superior del lente de la luz subacuática se encuentre al menos a 18 pulgadas por debajo de la superficie de agua en la piscina o el spa; véase Figura 1 (o Figura 2, para spas).
5. El nicho debe tener sus partes metálicas correctamente interconectadas y una conexión a tierra a través de un conector a tierra AWG N° 8 ubicado en la parte trasera del nicho; véase Figura 1 (o Figura 2, para spas).

Para asegurarse de que el sistema eléctrico de la piscina o el spa cumplan con todos los requisitos correspondientes, el electricista debe consultar además con el departamento de construcción de su localidad.

4.2 Reemplazo de la luz

NOTA Siga estos pasos *solamente* después de haber cumplido los requisitos eléctricos del sistema.

NOTA Se puede reemplazar la luz sin sacar el agua de la piscina o el spa.

1. Apague el interruptor eléctrico **principal** o el disyuntor, además del interruptor, que hace funcionar la luz subacuática.
2. Desatornille el tornillo piloto especial en la parte superior del aro frontal y retire del nicho el conjunto de la luz, y colóquelo sobre del perímetro exterior de la piscina.

ADVERTENCIA

Asegúrese de guardar el tornillo piloto especial de esta luz subacuática. Este tornillo monta y establece una conexión a tierra segura entre el compartimento y el anillo de montaje y el nicho. Toda falla que surgiera durante la utilización del tornillo, esto podría generar una descarga eléctrica y provocar lesiones graves o la muerte de los usuarios de la piscina o el spa o las personas encargadas de la instalación.

3. Retire la cubierta de la caja terminal, desconecte los cables de la luz y el aliviador de tensión, y jale el cable hacia afuera del conducto del nicho.
4. Pase el cable de la luz nueva desde el nicho hasta la caja terminal, a través del conducto.

NOTA Según la longitud del conducto, se pueden necesitar herramientas especiales para pasar el cable a través del conducto.

5. Deje al menos cuatro (4) pies de cable para enrollarlo alrededor de la luz; véase Figura 1 (o Figura 2, para spas). Esto permite que la luz reciba mantenimiento luego de que la piscina o el spa estén llenos.
6. Corte el cable en la caja terminal, deje al menos seis (6) pulgadas para realizar las conexiones.
7. Pele seis (6) pulgadas de la camisa del cable para dejar al descubierto los tres cables aislados. Tenga cuidado de no dañar el aislamiento de los tres (3) cables internos.
8. Instale el aliviador de tensión en la camisa del cable y conecte los tres (3) cables a los circuitos correspondientes en la caja terminal. Instale la cubierta de la caja terminal
9. Vuelva a instalar el conjunto de la luz en el nicho y ajuste el tornillo piloto especial.

ADVERTENCIA

Si el sistema eléctrico de la piscina o del spa no se pone al día y no cumple los requisitos del código pertinente antes de instalar la luz subacuática se producirán descargas eléctricas que pueden dañar la propiedad, o causar la muerte o lesiones graves a los usuarios de la piscina o el spa, los instaladores u otras personas.

ADVERTENCIA

Utilice los tornillos piloto especiales que vienen con esta luz subacuática. Este tornillo monta y establece una conexión a tierra segura entre el anillo de montaje y el nicho. Toda falla que surgiera durante la utilización del tornillo, esto podría generar una descarga eléctrica y provocar lesiones graves o la muerte de los usuarios de la piscina o el spa o las personas encargadas de la instalación.

10. Llene la piscina o el spa hasta que la luz subacuática quede totalmente sumergida en el agua antes de poner a funcionar la luz durante más de 10 segundos. Encienda el interruptor principal o el disyuntor y el interruptor que hace operar la luz subacuática para verificar que funcione correctamente. Véase la *Sección 6, Instrucciones de operación*.

ADVERTENCIA

Nunca opere esta luz subacuática por más de 10 segundos a menos que esté completamente sumergida en el agua. De lo contrario, el conjunto de la luz se calentará demasiado lo que podría provocar quemaduras graves o la rotura de la lámpara o el lente. Esto puede dañar la propiedad o resultar en lesiones graves a los usuarios de la piscina o el spa, las personas encargadas de la instalación, o las personas que permanecieran cerca.

Sección 5. Opciones de cableado para controlar las luces blancas Jandy Pro Series para piscinas o spas

NOTA Se pueden atenuar las **luces blancas Jandy Pro Series para piscinas o spas** si se añade un módulo de atenuación de luces al sistema o interruptor de control.

Hasta donde el código y la capacidad del equipo eléctrico lo permiten, se pueden controlar las **luces blancas Jandy Pro Series para spas** con un solo interruptor.

5.1 Cableado a un sistema de control AquaLink®

Las luces **Jandy Pro Series blancas para piscinas y spas** se pueden conectar al sistema de control de Jandy Pro Series AquaLink RS para permitir la operación simplificada de las luces. Conecte las luces a uno de los relés auxiliares del centro de alimentación eléctrica.

NOTA Se recomienda conectar una luz por relé de manera que cada luz se pueda controlar por separado. Sin embargo, se pueden conectar hasta cuatro luces en un solo relé. Si existen más de cuatro luces instaladas en un sistema AquaLink RS, asegúrese de que haya más de un relé auxiliar en el centro de alimentación eléctrica.

Véanse Figuras 3 y 4 para conectar las **luces blancas Jandy Pro Series para piscinas y spas** al centro de alimentación eléctrica.

ADVERTENCIA

Se debe instalar un interruptor del circuito de fallos de conexión a tierra (GFCI) para los modelos de 120 voltios. Los conductores del lado de carga del circuito GFCI no deben quedar en los conductos, cajas o envolturas que contengan otros conductores a menos que los conductores adicionales también estén protegidos por un GFCI. Refiérase a los códigos regionales para mayores detalles.

NOTA Las **luces blancas Jandy Pro Series para piscinas y spas** se encuentran disponibles en 120 voltios y 12 voltios. Para instalar una luz de 12 voltios, se *debe* utilizar un transformador reductor de tensión (AC) de 120 voltios/12 voltios. Para más información sobre instalaciones de 12 voltios, véase la *Sección 8* de este manual.

5.2 Cableado a un reloj registrador

Se pueden conectar las **luces blancas Jandy Pro Series para piscinas y spas** a un reloj registrador básico para encender las luces automáticamente a una hora predeterminada. Véase la Figura 5 para conectar las luces al reloj registrador.

5.3 Cableado a un interruptor

Se pueden conectar las **luces blancas Jandy Pro Series para piscinas o spas** a un interruptor para encender o apagar las luces manualmente. Véase la Figura 6 para conectar las luces al interruptor.

Sección 6. Instrucciones de operación

6.1 Para operar la luz

Active la luz ya sea encendiendo el interruptor, instalando un programa o presionando el botón en el controlador de una piscina o spa.

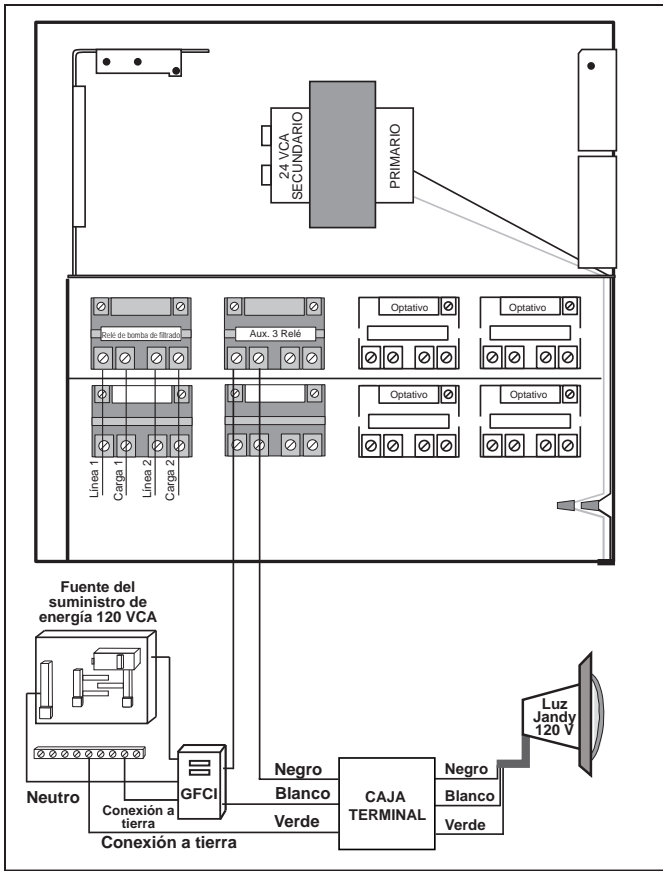


Figura 3. Diagrama de cableado de la luz blanca Jandy Pro Series para piscinas y spas, modelo 120 voltios

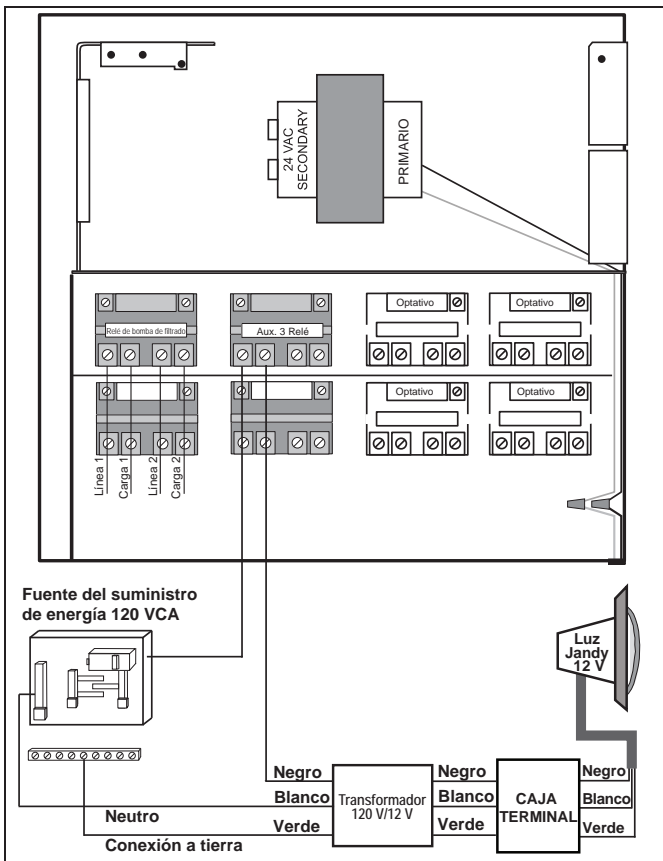


Figura 4. Diagrama de cableado de la luz blanca Jandy Pro Series para piscinas y spas, modelo 12 voltios

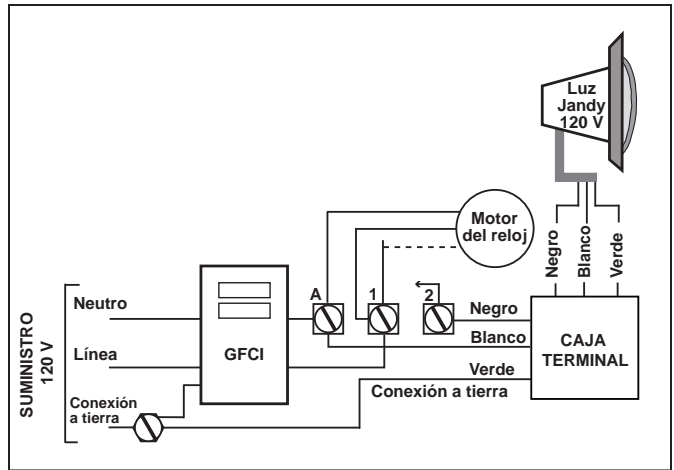


Figura 5. Cableado de la luz blanca Jandy Pro Series para piscinas y spas hacia un reloj registrador

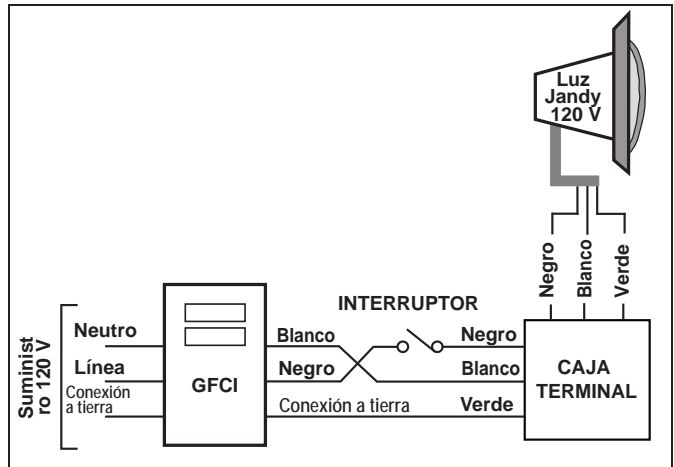


Figura 6. Cableado de la luz blanca Jandy Pro Series para piscinas y spas hacia un interruptor

Sección 7. Reemplazo de la lámpara

ADVERTENCIA

Antes de realizar el mantenimiento de la luz, desconecte siempre la fuente de alimentación de la luz en el disyuntor de la piscina o del spa. De lo contrario, podría generar descargas eléctricas y provocar la muerte o lesiones graves a la persona encargada de la instalación o mantenimiento, los usuarios de la piscina o el spa.

1. Apague el interruptor eléctrico principal o el disyuntor, además del interruptor que hace operar la luz subacuática.
2. Asegúrese de contar con los siguientes artículos:
 - **Empaquetadura nueva para el lente (P/N R0451101 para luces Jandy Pro Series para piscinas y P/N R0400501 para luces Jandy Pro Series para spas).**
 - Una (1) lámpara nueva. Véase Tabla 1 para las especificaciones.

ADVERTENCIA

Reemplace la lámpara con una del mismo tipo y voltaje. De lo contrario, dañará el conjunto de la luz y puede generar descargas eléctricas y dañar la propiedad, o provocar lesiones graves o la muerte de los usuarios de la piscina o el spa, las personas encargadas de la instalación. Asegúrese de que la fuente de alimentación esté APAGADA (OFF) antes de retirar o instalar las lámparas. Deje que la lámpara se enfríe antes de reemplazarla.

3. Para retirar el conjunto de la luz, desatornille el tornillo piloto especial en la parte superior del aro frontal, retire el conjunto de la luz del nicho y colóquelo cuidadosamente en el perímetro exterior de la piscina. No es necesario vaciar la piscina o el spa. Véase Figura 7.

4. Desarme el conjunto de la luz y reemplace la lámpara como se muestra a continuación:

ADVERTENCIA

Asegúrese de guardar el tornillo piloto especial de esta luz subacuática. Este tornillo monta y establece una conexión a tierra segura entre el compartimento y el anillo de montaje y el nicho. Toda falla que surgiera durante la utilización del tornillo, esto podría generar una descarga eléctrica y provocar lesiones graves o la muerte de los usuarios de la piscina o el spa o las personas encargadas de la instalación.

- a. Afloje los ocho (8) tornillos Phillips para la luz de la piscina o los seis (6) tornillos Phillips para la luz del spa para poder retirar la abrazadera inferior del conjunto del aro frontal. No retire los tornillos de los aros de retención. Los aros de retención evitan que los tornillos se caigan de la abrazadera superior y facilitan el ensamblaje.
- b. Retire la abrazadera inferior, el conjunto del aro frontal, el lente de vidrio y la empaquetadura de la luz. Retire la empaquetadura del lente. Véase la *Sección 9, Plano de despiece y piezas de repuesto*.
- c. Instalar una lámpara nueva.

ADVERTENCIA

Riesgo de descargas eléctricas o electrochoques. Siempre instale una empaquetadura nueva en el lente al retirar el conjunto de la luz (**empaquetadura para luces Jandy Pro Series para piscinas P/N R0451101 y empaquetadura para luces Jandy Pro Series para spas P/N R0400501**). De lo contrario, puede provocar fugas de agua en el conjunto, que resultaría en:

- (a) Una descarga eléctrica que causaría la muerte o lesiones graves a los usuarios de la piscina o el spa, a las personas encargadas de la instalación, o
- (b) Rotura de la lámpara o el lente, que también causaría lesiones graves a los usuarios de la piscina o el spa, a las personas encargadas de la instalación, a las personas alrededor o bien, daños a la propiedad.

Modelo Jandy Pro Series	Voltaje	Lámpara Voltaje	Lámpara Vataje	Tipo de lámpara	Cant. por luz	Número de pieza del kit de la lámpara
Luz blanca para piscinas y spas	12 voltios CA	12V	100 vatios	Intensiva R20	1	R0450501
Luz blanca para piscinas	12 voltios CA	120V	300 vatios	Intensiva R40	1	R0450502
Luz blanca para piscinas	12 voltios CA	12V	300 vatios	Intensiva R40	1	R0450503
Luz blanca para piscinas	12 voltios CA	120V	500 vatios	Intensiva R40	1	R0450504
Luz blanca para spas	12 voltios CA	120V	60 vatios	Intensiva R20	1	R0450505

Tabla 1. Especificaciones de la lámpara

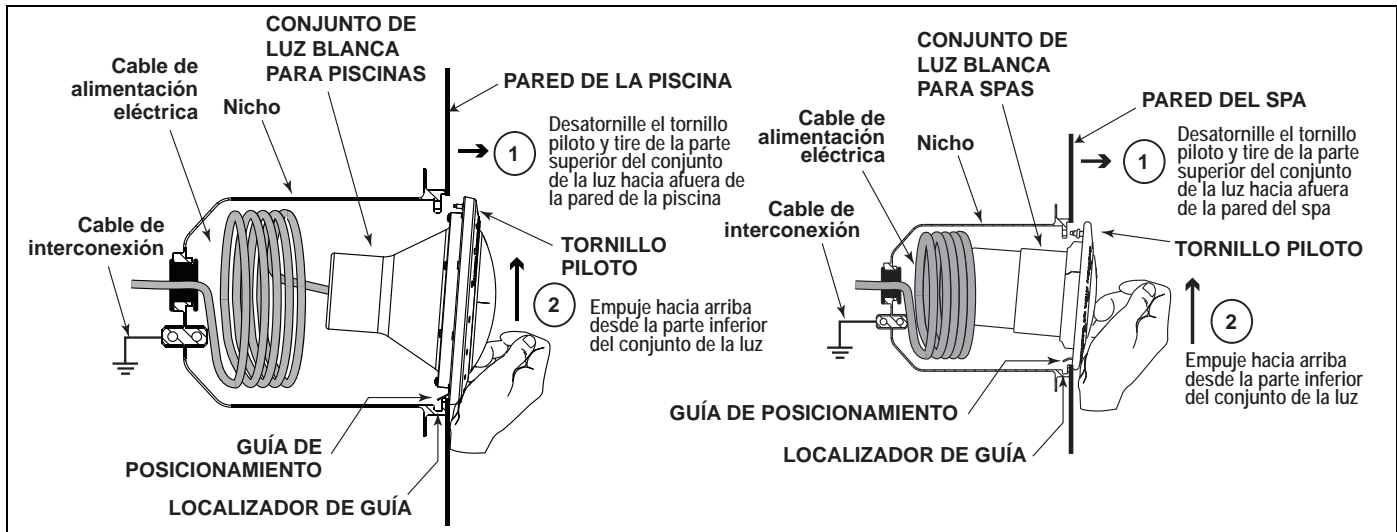


Figura 7. Extracción del conjunto de la luz blanca para piscinas y spas para reemplazar la lámpara

5. Vuelva a ensamblar la luz como se muestra a continuación:
 - a. Si aún no lo ha hecho, retire la empaquetadura del lente de vidrio e instale una nueva **empaquetadura para luces Jandy Pro Series para piscinas** (P/N R0451101) y **empaquetadura para luces Jandy Pro Series para spas** (P/N R0400501), en el lente.
- NOTA** Se debe utilizar una empaquetadura de lente nueva cada vez que la luz se vuelve a armar.
- b. Mientras sostiene la luz hacia arriba, coloque el lente de vidrio con la empaquetadura encima de la luz. Tenga en cuenta que la empaquetadura del lente no tiene forma simétrica. Por eso, se debe instalar correctamente de manera que el lente quede sellado en el compartimento de la luz. Coloque la empaquetadura sobre el lente de manera que el lado grueso de la empaquetadura se acople al compartimento durante la instalación del lente. Véase Figura 11.
 - c. Coloque el lente y la empaquetadura sobre el conjunto de la luz. Coloque el aro frontal y la abrazadera superior sobre el lente, y alinee el tornillo piloto con la marca de la flecha pequeña en la cara del lente. Tenga en cuenta que la marca de la flecha pequeña sobre la cara del lente y el tornillo piloto del aro frontal deben estar alineados con la flecha ubicada en la etiqueta de la luz que dice, “Arrow on this label must line up with the pilot screw on the Face Ring” (la flecha en esta etiqueta debe estar alineada con el tornillo piloto del aro frontal). Véase Figura 8.
 - d. Mientras sostiene el conjunto del aro frontal alineado y la luz juntos, dele vuelta al conjunto y colóquelo sobre la empaquetadura vieja, usándola como ayuda para el ensamblado. Esto evitará que el conjunto del lente y la empaquetadura salgan expulsados del aro frontal mientras se aseguran a la luz.
 - e. Posicione la abrazadera inferior sobre el cable de electricidad y deslícela hacia la parte trasera de la luz y hacia la abrazadera superior. Véase Figura 8.

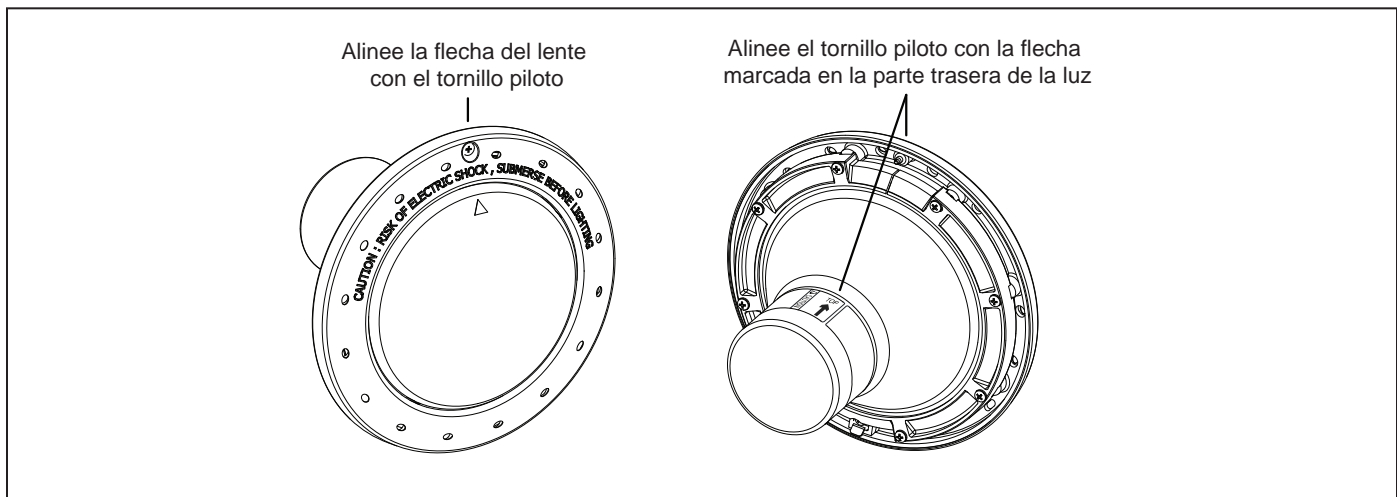


Figura 8. Alineación del lente, el aro frontal, el compartimento y las abrazaderas de las luces blancas para piscinas

- f. Ajuste los ocho (8) tornillos Phillips para luces de piscina o los seis (6) tornillos Phillips para luces de spa haciendo la instalación en forma de cruz y alternando. Apriete los tornillos aproximadamente a 20 pulgadas libras. No apriete demasiado.
 - g. Desáhgase de la vieja empaquetadura.
6. Vuelva a instalar la luz Jandy Pro Series en el conjunto del nicho.
- a. Enrolle cuatro (4) pies de cable alrededor de la luz y coloque el conjunto en el nicho.
 - b. Enganche la brida de retención a la parte inferior del aro frontal, luego gire la parte superior de la luz hacia adentro y apriete el tornillo piloto especial.

ADVERTENCIA

Utilice los tornillos piloto especiales que vienen con esta luz subacuática. Este tornillo monta y establece una conexión a tierra segura entre el compartimento y el anillo de montaje y el nicho. Toda falla que surgiera durante la utilización del tornillo, esto podría generar una descarga eléctrica y provocar lesiones graves o la muerte de los usuarios de la piscina o el spa o las personas encargadas de la instalación.

7. Si la piscina o el spa están vacíos, llénelos hasta que la luz subacuática quede totalmente sumergida en el agua antes de poner a funcionar la luz durante más de 10 segundos. Encienda el interruptor principal o disyuntor, además del interruptor, que hace operar la luz subacuática para verificar el funcionamiento correcto.

ADVERTENCIA

Nunca opere esta luz subacuática por más de 10 segundos a menos que esté completamente sumergida en el agua. De lo contrario, el conjunto de la luz se calentará demasiado lo que podría provocar quemaduras graves o la rotura de la lámpara o el lente. Esto puede dañar la propiedad o resultar en lesiones graves a los usuarios de la piscina o el spa, las personas encargadas de la instalación, o las personas que permanecieran cerca.

Sección 8. Instalación de doce (12) voltios

Se necesita un transformador CA de 12 voltios para los modelos de 12 voltios. Utilice un transformador del tamaño correcto para el modelo de luz que tenga.

NOTA Para que el funcionamiento sea óptimo, Jandy Pro Series recomienda utilizar un transformador para cada luz de 12 voltios.

Para garantizar el cumplimiento del Código Eléctrico Nacional (NEC®) en EE.UU., (Código Eléctrico Canadiense (CEC), si la instalación se hiciera en Canadá) y para reducir los riesgos de descargas eléctricas que pudieran provocar lesiones graves o la muerte, utilice un transformador que esté aprobado o reconocido por el Nationally Recognized Testing Laboratory (NRTL) para usarse en piscinas o spas.

Sección 9. Plano de despiece y piezas de repuesto

9.1 Luz blanca Jandy Pro Series para piscinas

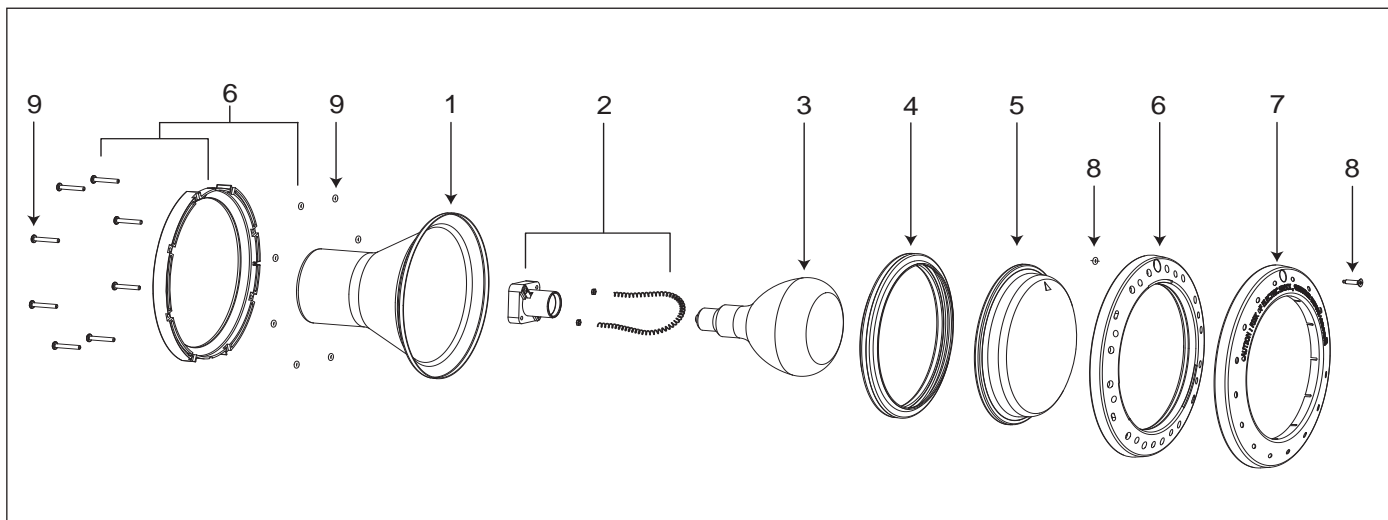


Figura 9. Plano de despiece de la luz blanca Jandy Pro Series para piscinas

DWG N°	Pieza N°	Descripción	Reemplazables en el lugar
1	ND	Compartimento de luz para piscinas	NO – Adquiera una luz nueva
2	ND	Portalámparas	NO – Adquiera una luz nueva
3	R0450501	Lámpara, 100 vatios, 12 voltios	SÍ
3	R0450502	Lámpara, 300 vatios, 120 voltios	SÍ
3	R0450503	Lámpara, 300 vatios, 12 voltios	SÍ
3	R0450504	Lámpara, 500 vatios, 120 voltios	SÍ
4	R0451101	Empaquetadura de silicona, Luz para piscinas	SÍ
5	R0450601	Lentes de vidrio, Luz para piscinas	SÍ
6	R0450701	Conjunto de abrazadera, Luz para piscinas	SÍ
7	R0450801	Aro frontal, Acero inoxidable (AI), Luz para piscinas	SÍ
7	R0450802	Aro frontal, Plástico, Blanco, Luz para piscinas	SÍ
7	R0450803	Aro frontal, Plástico, Negro, Luz para piscinas	SÍ
7	R0450804	Aro frontal, Plástico, Gris, Luz para piscinas	SÍ
7	R0450805	Aro frontal, Set de plástico, Luz para piscinas	SÍ
8	R0450901	Tornillo piloto, con sujetador, Luz para piscinas	SÍ
9	R0451001	Tornillo de presión (8 tornillos y 8 sujetadores) Luz para piscinas	SÍ

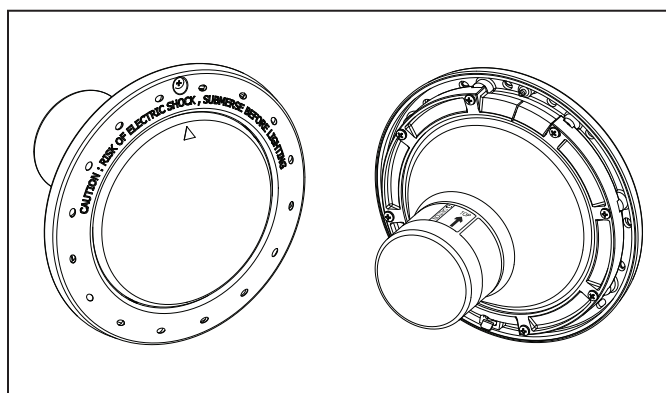


Figura 10. Luz blanca Jandy Pro Series para piscinas, plano frontal y trasero

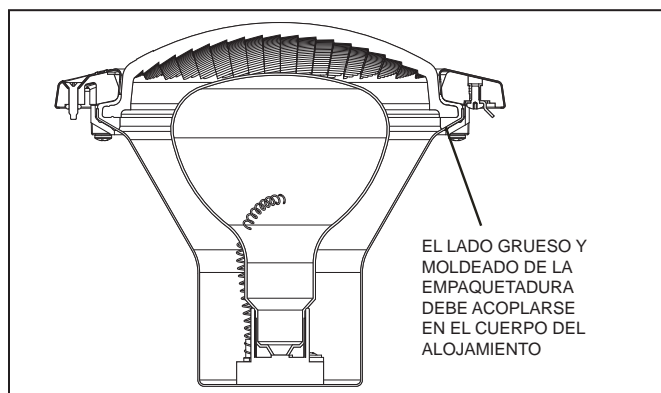


Figura 11. Plano transversal de la luz blanca Jandy Pro Series para piscinas

9.2 Luz blanca Jandy Pro Series para spas

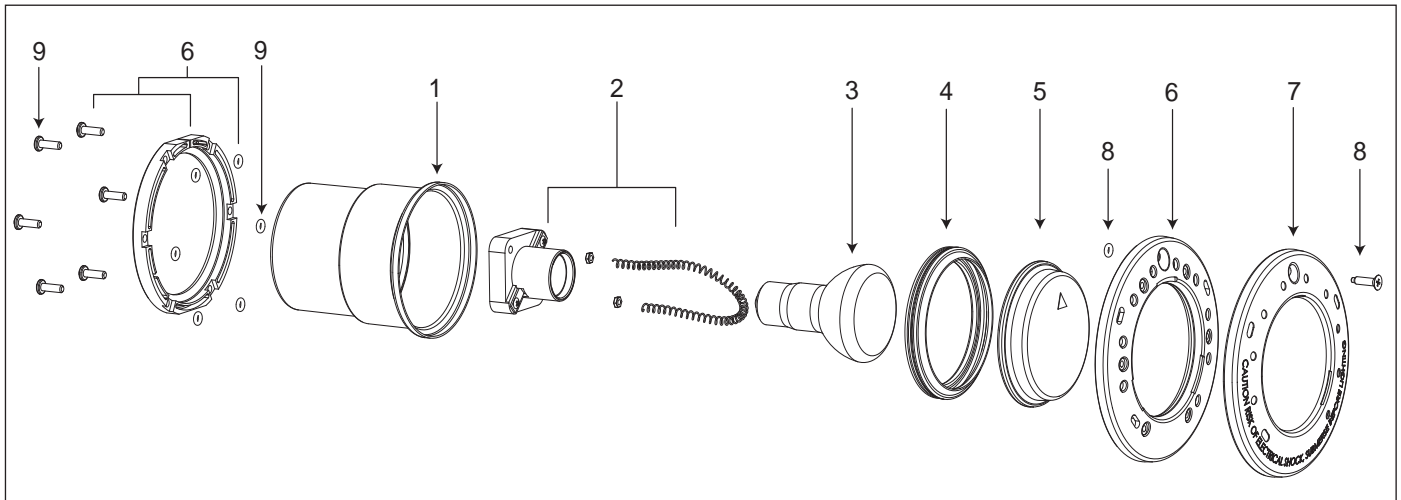


Figura 12. Plano de despiece de la luz blanca Jandy Pro Series para spas

DWG N°	Pieza N°	Descripción	Reemplazables en el lugar
1	ND	Compartimento de la luz del spa	NO – Adquiera una luz nueva
2	ND	Portalámparas	NO – Adquiera una luz nueva
3	R0450501	Lámpara, 100 vatios, 12 voltios	SÍ
3	R0450505	Lámpara, 60 vatios, 120 voltios	SÍ
4	R0400501	Empaquetadura de silicona, Luz para spas	SÍ
5	R0400601	Lentes de vidrio, Luz para spas	SÍ
6	R0451201	conjunto de abrazadera, Luz para spas	SÍ
7	R0451301	Aro frontal, Acero inoxidable (AI), Luz para spas	SÍ
7	R0451302	Aro frontal, Plástico, Blanco, Luz para spas	SÍ
7	R0451303	Aro frontal, Plástico, Negro, Luz para spas	SÍ
7	R0451304	Aro frontal, Plástico, Gris, Luz para spas	SÍ
7	R0451305	Aro frontal, Set de plástico, Luz para spas	SÍ
8	R0450901	Tornillo piloto, Junta tórica, Luz para spas	SÍ
9	R0451401	Tornillo de presión (6 tornillos y 6 sujetadores) Luz para spas	SÍ

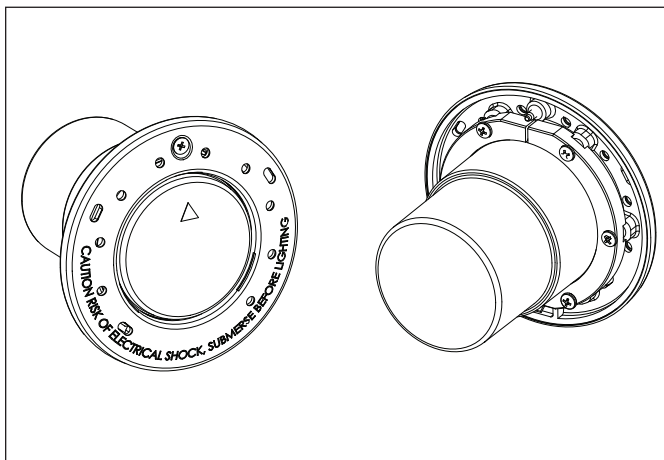


Figura 13. Luz blanca Jandy Pro Series para spas, plano frontal y trasero

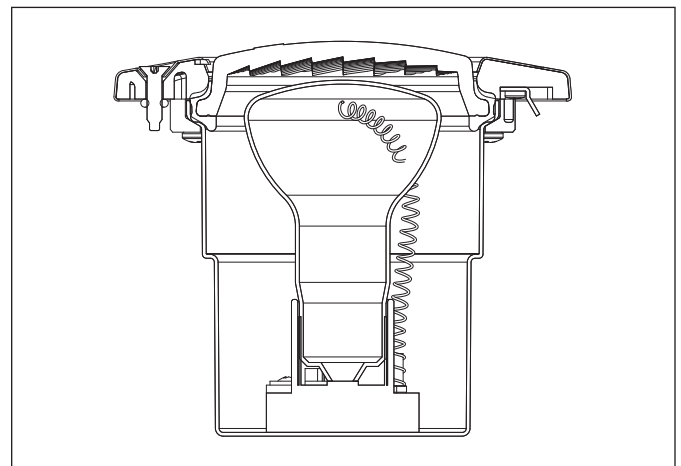


Figura 14. Plano transversal de la luz blanca Jandy Pro Series para spas



LA MARCA "ETL LISTED"
SIGNIFICA QUE OBSERVA LAS NORMAS "UL STD 676"
Certificado por CAN/CSA (Asociación de Normas de Canadá) C22.2 N° 89

Zodiac Pool Systems, Inc.
2620 Commerce Way, Vista, CA 92081
1.800.822.7933 | www.ZodiacPoolSystems.com

©2014 Zodiac Pool Systems, Inc. ZODIAC® es una marca registrada de Zodiac International, S.A.S.U., utilizada bajo licencia. Todas las demás marcas registradas mencionadas en este documento son propiedad de sus respectivos propietarios.

H0312200 Rev C