

# ***Waterway... the leader in Quality, Confidence, Innovation and Service.***



***Oxnard, California***

Waterway is proud to design, engineer and produce our quality line of products right here in the USA. But that capability means a lot more than just Made in USA. Waterway provides the unique opportunity to meet any of your custom Pool, Spa and Bath products needs using only premium NSF Approved materials and meeting all Certifications and Standards. All at our 460,000 sq. ft. facility in Oxnard, California since 1973.

***Designed,  
Engineered &  
Manufactured  
in the USA.***



# ***Waterway***<sup>TM</sup>



2200 East Sturgis Road, Oxnard CA 93030 • Phone 805.981.0262 • Fax 805.981.9403  
waterway@waterwayplastics.com • [www.waterwayplastics.com](http://www.waterwayplastics.com)



*Waterway*

# Drains, Grates & Suctions

Listed, Certified and Tested in strict accordance to the requirements of ANSI/ASME A112.19.8-2007 and ANSI/ASME A112.19.8a-2008 and ANSI/APSP-16 (2011) as defined in CPSC letter dated April 8, 2011. Compliant to the latest Consumer Safety Product Commission Requirements (CPSC).



*Designed,  
Engineered &  
Manufactured  
in the USA.*



# VGB Compliance



All Waterway Drains, Grates and Suctions are Listed, Certified and Tested in strict accordance to the requirements of ANSI/ASME A112.19.8-2007 and ANSI/ASME A112.19.8a-2008 and ANSI/APSP-16 (2011) as defined in CPSC letter dated April 8, 2011. Compliant to the latest Consumer Safety Product Commission Requirements (CPSC).

## WARNING

Read and follow all instructions in the Owner's Manual for the equipment.  
Failure to follow instructions can cause injury and/or death.

### Color Reference

Last Digit of Part No.	Color/Metal Finish
<b>0</b>	White
<b>1</b>	Black
<b>7</b>	Gray
<b>9-BEI</b>	Beige (Tan)
<b>9-DKG</b>	Dark Gray

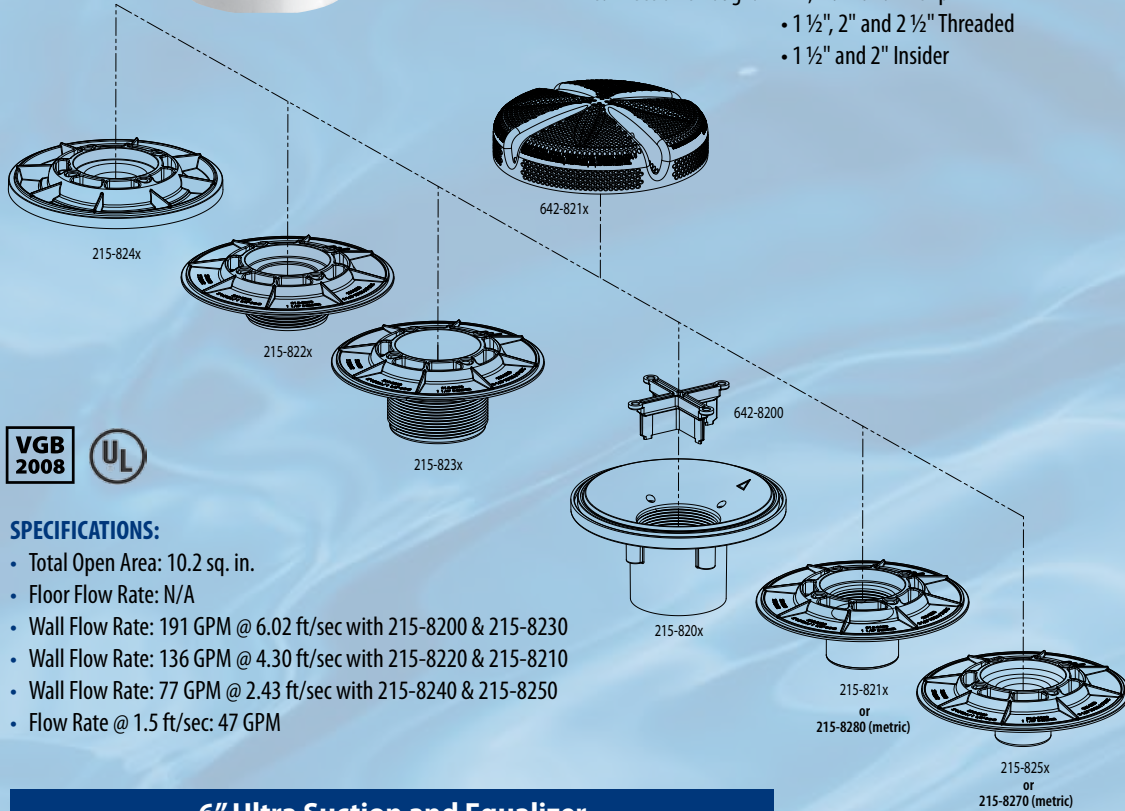
# 6" Ultra Suction & Equalizer



640-8200 V

## FEATURES:

- Sumpless Design: no sump body required
- Ultra versatile drain – can be used for a wide variety of applications: Gunite, Fiberglass, Vinyl, Tile, and Steel Pools & Spas
- All Waterway adapter fittings are made of NSF Rated PVC and can be used with PVC cements (no expensive ABS/PVC transitional glue)
- Available with 6 different PVC wall fitting adapters for connection through:
  - 1", 1 1/2" and 2" Slip
  - 1 1/2", 2" and 2 1/2" Threaded
  - 1 1/2" and 2" Insider

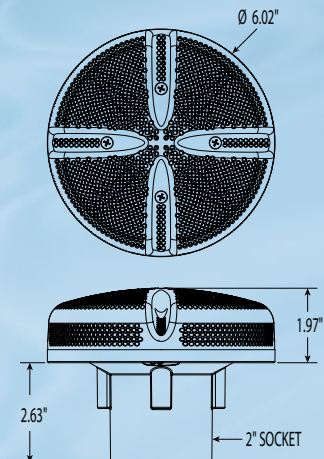


## SPECIFICATIONS:

- Total Open Area: 10.2 sq. in.
- Floor Flow Rate: N/A
- Wall Flow Rate: 191 GPM @ 6.02 ft/sec with 215-8200 & 215-8230
- Wall Flow Rate: 136 GPM @ 4.30 ft/sec with 215-8220 & 215-8210
- Wall Flow Rate: 77 GPM @ 2.43 ft/sec with 215-8240 & 215-8250
- Flow Rate @ 1.5 ft/sec: 47 GPM

## 6" Ultra Suction and Equalizer

Part No.	Description
640-820x V	6" Ultra Suction (Model 640-82XXV) with 2" Equalizer Wall Fitting (215-8200)
640-823x V	6" Ultra Suction (Model 640-82XXV) with 2 1/2" Threaded Wall Fitting (215-8230)
640-822x V	6" Ultra Suction (Model 640-82XXV) with 2" Threaded Wall Fitting (215-8220)
640-821x V	6" Ultra Suction (Model 640-82XXV) with 2" Insider Wall Fitting (215-8210)
640-824x V	6" Ultra Suction (Model 640-82XXV) with 1 1/2" Threaded Wall Fitting (215-8240)
640-825x V	6" Ultra Suction (Model 640-82XXV) with 1 1/2" Insider Wall Fitting (215-8250)
215-8200	Wall Fitting for 6" Ultra Suction - 2" Equalizer
215-8230	Wall Fitting for 6" Ultra Suction - 2 1/2" Threaded
215-8220	Wall Fitting for 6" Ultra Suction - 2" Threaded
215-8210	Wall Fitting for 6" Ultra Suction - 2" Insider
215-8280	Wall Fitting for 6" Ultra Suction - 50.8mm Insider (metric)
215-8240	Wall Fitting for 6" Ultra Suction - 1 1/2" Threaded
215-8250	Wall Fitting for 6" Ultra Suction - 1 1/2" Insider
215-8270	Wall Fitting for 6" Ultra Suction - 38.1mm Insider (metric)



Replace the final x in the part number with the color of your choice. See guide on inside front cover.