

# IRON MIGHT™

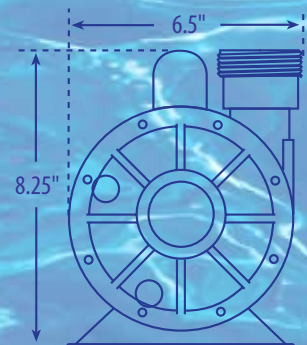
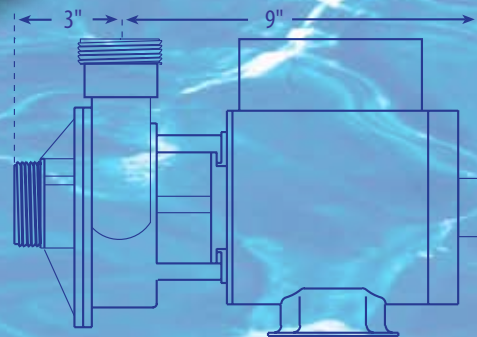
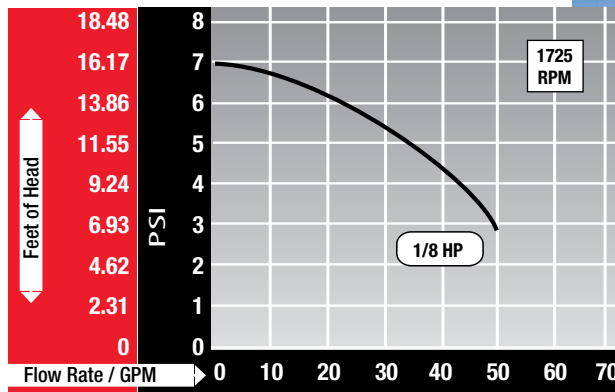
## Circulating Pump

### Features

- 24-hour circulation
- 48-frame proven design
- Side discharge for optimum flow
- Multiple union assemblies available
- Delivers 40 GPM
- 1/8 HP
- Only 0.63/1.3 Amps
- Viton seals
- 1 1/2" Intake and Discharge
- One year warranty



### PRESSURE VS. FLOW RATE



### IRON MIGHT 1-SPEED 48-FRAME CIRCULATING PUMPS

Part No.	HP	Volts	Amps	HZ
3410020-1E	1/8	230	0.63	50/60
3410030-1E	1/8	115	1.3	60



2200 East Sturgis Road, Oxnard CA 93030  
 Phone 805.981.0262 • Fax 805.981.9403  
[www.waterwayplastics.com](http://www.waterwayplastics.com)  
[waterway@waterwayplastics.com](mailto:waterway@waterwayplastics.com)

