

# CLEAR WATER II™

## Cartridge Filters & Filter Systems

**A deluxe  
cartridge filter  
system offering  
quality, value,  
& convenience.**

### **The ClearWater II Cartridge Filter & Pump Deluxe System**

provides homeowners with everything needed to get their system up and running. It assures them of matched components and optimal performance for years of dependable service.

#### **Features:**

- Large filtration, small footprint cartridge filter
- Top-of-the-Line Supreme High Performance Single or Dual Speed Pump
- Extra large 7" pump trap with clear lid
- Unionized gate valve to isolate system for maintenance
- Two 1 1/2" diameter hoses with clamps
- Complete fittings package for all connections
- Deluxe filter and pump mounting base which allows for the addition of Chlorinator
- Available or Optional Dual Speed pump meets CEC Title 20 Code



**Waterway**



LISTED  
(SWIMMING POOL  
OR SPA PUMP)  
7J06

## ClearWater II Cartridge Filter Deluxe System with Supreme 2-Speed Pump

Part No.	Filter	Filtration Area	Flow Rate	Pump	HP	Volts	Pool Turnover		
							8 Hours	6 Hours	
FCS075107-3	FC0757	75 sq. ft.	75 GPM	PSP2100-3R	1.0	115	27,000	36,000	3 foot cord Twist-Lock plug
FCS100107-3	FC1007	100 sq. ft.	100 GPM	PSP2100-3R	1.0	115	36,000	48,000	
FCS125157-3	FC1257	125 sq. ft.	125 GPM	PSP2150-3R	1.5	115	45,000	60,000	
FCS150157-3	FC1507	150 sq. ft.	150 GPM	PSP2150-3R	1.5	115	54,000	72,000	
FCS200157-3	FC2007	200 sq. ft.	150 GPM	PSP2150-3R	1.5	115	54,000	72,000	
FCS075107-6	FC0757	75 sq. ft.	75 GPM	PSP2100-6R	1.0	115	27,000	36,000	3 foot cord 3-wire NEMA (regular) plug
FCS100107-6	FC1007	100 sq. ft.	100 GPM	PSP2100-6R	1.0	115	36,000	48,000	
FCS125157-6	FC1257	125 sq. ft.	125 GPM	PSP2150-6R	1.5	115	45,000	60,000	
FCS150157-6	FC1507	150 sq. ft.	150 GPM	PSP2150-6R	1.5	115	54,000	72,000	
FCS200157-6	FC2007	200 sq. ft.	150 GPM	PSP2150-6R	1.5	115	54,000	72,000	

**Systems include:** 2 hoses (1 1/2" x 6 ft.) • hose fittings, hose clamps, union adapter • 3 ft. cord Twist Lock plug, or 3 ft. cord NEMA plug • Gate valve • Deluxe one-piece base

## ClearWater II Cartridge Filter Deluxe System with Supreme 1-Speed Pump

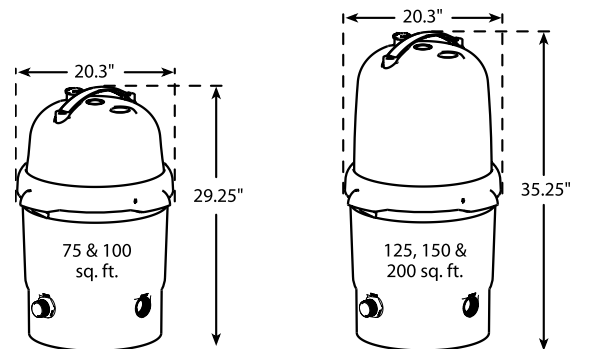
Part No.	Filter	Filtration Area	Flow Rate	Pump	HP	Volts	Pool Turnover		
							8 Hours	6 Hours	
FCS075107-3S	FC0757	75 sq. ft.	75 GPM	PSP1100-3R	1.0	115	27,000	36,000	3 foot cord Twist-Lock plug
FCS100107-3S	FC1007	100 sq. ft.	100 GPM	PSP1100-3R	1.0	115	36,000	48,000	
FCS125157-3S	FC1257	125 sq. ft.	125 GPM	PSP1150-3R	1.5	115	45,000	60,000	
FCS150157-3S	FC1507	150 sq. ft.	150 GPM	PSP1150-3R	1.5	115	54,000	72,000	
FCS200157-3S	FC2007	200 sq. ft.	150 GPM	PSP1150-3R	1.5	115	54,000	72,000	
FCS075107-6S	FC0757	75 sq. ft.	75 GPM	PSP1100-6R	1.0	115	27,000	36,000	3 foot cord 3-wire NEMA (regular) plug
FCS100107-6S	FC1007	100 sq. ft.	100 GPM	PSP1100-6R	1.0	115	36,000	48,000	
FCS125157-6S	FC1257	125 sq. ft.	125 GPM	PSP1150-6R	1.5	115	45,000	60,000	
FCS150157-6S	FC1507	150 sq. ft.	150 GPM	PSP1150-6R	1.5	115	54,000	72,000	
FCS200157-6S	FC2007	200 sq. ft.	150 GPM	PSP1150-6R	1.5	115	54,000	72,000	

**Systems include:** 2 hoses (1 1/2" x 6 ft.) • hose fittings, hose clamps, union adapter • 3 ft. cord Twist Lock plug, or 3 ft. cord NEMA plug • Gate valve • Deluxe one-piece base

## ClearWater II Cartridge Filter Deluxe System (without Supreme Pump)

Part No.	Filter	Filtration Area
FCS0757S	FC0757	75 sq. ft.
FCS1007S	FC1007	100 sq. ft.
FCS1257S	FC1257	125 sq. ft.
FCS1507S	FC1507	150 sq. ft.
FCS2007S	FC2007	200 sq. ft.

**Systems include:** 2 hoses (1 1/2" x 6 ft.) • hose fittings, hose clamps, union adapter • Gate valve • Deluxe one-piece base



2200 East Sturgis Road, Oxnard CA 93030 • Phone 805.981.0262 • Fax 805.981.9403  
 waterway@waterwayplastics.com • www.waterwayplastics.com

