



Formerly A. O. Smith Electrical Products Company



# Stock Motor Catalog

1100

A Regal Brand

**REGAL**



*Formerly A. O. Smith Electrical Products Company*

**Our product brand name has changed.**

**A. O. Smith Distribution Motors  
will now carry the Century® brand name.**

***We are still....***

- **People you know and Trust**
- **Service You Expect**
- **Industry Excellence**
- **US Owned and Operated**



A. O. Smith Electrical Products Company is proud to now be a part of Regal.

Century is still committed to the people you know, the service you expect and industry excellence. We are a global company that is U.S. owned and operated and now offer even greater product breadth & technology.

For more information on Century HVACR Distribution Motors,  
visit our website at [www.hvac-motors.com](http://www.hvac-motors.com)



1325 Heil Quaker Blvd. • LaVergne, TN 37086 • 800-672-6495 • Fax: 800-468-2062

A Regal Brand

**REGAL**



Regal Beloit EPC, Inc.

LaVergne, Tennessee 37086

www.regalbeloit.com



Dear Valued Customer:

We are pleased to announce that A. O. Smith Electrical Products Company (EPC) is now branded Century®! As a result of Regal Beloit Corporation's ("Regal") acquisition of A. O. Smith EPC in August 2011, we now are transitioning EPC's aftermarket motors to the Century brand. Although we now are Regal, rest assured, we remain as committed as ever to the people you know, the service you expect, and industry excellence. We are a global company that is U. S. owned and operated and now offer greater product breadth and technology than ever before. We have redefined A. O. Smith's established Century brand to include a comprehensive range of aftermarket HVACR motors for contractors.

Why rebrand to Century? The Century Electric Company was established in 1903 in St. Louis, Missouri, with its first patented single phase, repulsion start, induction motor. From there, the Century name has been synonymous with quality and a successful history. As we transition from A. O. Smith to Century, we want to assure our customers of the on-going consistency of our products and services.

As stated, Century is an established and respected brand, indicating reliability, stability and innovation. Through our transition from the A. O. Smith to the Century brand, the products remain unchanged. Our global reach and range of products will strengthen our position as a global leader. Our customers will now have the benefit of greater resources, broader product categories and the combination of two cultures dedicated to innovation and industry leadership.

Sincerely,

James B. Mosman  
Business Leader, Regal Distribution  
1325 Heil Quaker Blvd.  
LaVergne, TN 37086

# Table of Contents

## 3-3/8" DIAMETER HVAC STOCK MOTORS

|  |       |
|--|-------|
| Draft Inducer Motors (with switch) .....       | 28-29 |
| Draft Inducer Motors (without switch) .....    | 29    |
| GE 11 Frame Replacements .....                 | 35    |
| Open Fan Cooled .....                          | 34-34 |
| Open Ventilated Fan and Blower Duty .....      | 30-31 |
| Room Air Conditioning and Double Blowers ..... | 33    |
| Totally Enclosed Fan and Blower Duty .....     | 32    |
| Totally Enclosed Fan Cooled .....              | 36    |
| 3-in-1™ PSC Motor .....                        | 37    |

## 4-5/16" DIAMETER HVAC STOCK MOTORS

|   |    |
|---|----|
| Fan Coil Units .....                        | 39 |
| Heating Ventilating and Welding Units ..... | 38 |

## 5" DIAMETER HVAC STOCK MOTORS

|  |       |
|--|-------|
| ECM Fan Coil Replacement .....                   | 44    |
| Fan Coils - Dual Wheel Blowers (less base) ..... | 41-43 |
| Fan Coils - Dual Wheel Blowers (with base) ..... | 45-47 |
| Furnace Blower - Attic Ventilators .....         | 48-54 |
| - Air Handlers - Fan Coils                       |       |
| GE 21/29 Frame Replacements .....                | 40    |
| Unit Heater .....                                | 55    |
| MultiFit® Condenser Fan .....                    | 56    |

## 5-5/8" DIAMETER HVAC STOCK MOTORS

|   |           |
|---|-----------|
| Deluxe Commercial Condenser Fan .....                         | 83        |
| Direct Drive Fan and Blower Motors .....                      | 67-68, 72 |
| (1 and 2 speed, PSC)  |           |
| Direct Drive Fan and Blower Motors .....                      | 69-72, 74 |
| (3 speed, PSC)  |           |
| Fleximount - Furnace - Air Handler - Blowers (PSC) .....      | 66        |
| Four in 1 Multi-horsepower and HeatMaster® .....              | 75        |
| Furnace and Air Conditioner, Shaded Pole .....                | 57-58     |
| MasterFit® Pro Multiple Horse Power Replacement .....         | 73-74     |
| 4-in-1 Condenser Fan Motor .....                              | 75        |
| Outdoor Sleeve and Ball Bearing Open Lead End .....           | 76-78     |
| - Condensers - Heat Pumps - Refrigeration                     |           |
| Outdoor Totally Enclosed Sleeve and Ball Bearing Motors ..... | 79-82     |
| - Condensers - Heat Pumps - Refrigeration                     |           |
| Room Air Conditioner Motors - Double Shaft (PSC) .....        | 62-66     |
| Shaded Pole Replacement Motors .....                          | 58        |
| Unit Heater .....   | 59-61     |
| HeatMaster® High Ambient Condensers .....                     | 75, 79-83 |

## 6-1/2" DIAMETER HVAC STOCK MOTORS

|  |    |
|--|----|
| Base Mounted Outdoor Condenser Fan Motors .....    | 86 |
| (single and three-phase)                           |    |
| Vertical Condenser Fan Motors (single-phase) ..... | 84 |
| Vertical Condenser Fan Motors (three-phase) .....  | 85 |

## C FRAME MOTORS

|                          |      |
|--------------------------|------|
| Replacement Motors ..... | 9-11 |
| Fireplace Fans .....     | 11   |

## CENTRIFUGAL BLOWERS

|  |       |
|--|-------|
| Blower Reference Dimensions .....        | 23    |
| Blower Reference Diagrams .....          | 24    |
| General Purpose Centrifugal Blower ..... | 19-20 |
| CFM Specifications for Blowers .....     | 25-26 |
| Crossflow/Tangential Blower .....        | 27    |
| Crossflow Blower .....                   | 27    |
| OEM Direct Replacement Blowers .....     | 21-22 |

## DC MOTORS

|  |     |
|--|-----|
| Industrial DC Elevator Door Motors .....   | 227 |
| Industrial DC Carpet Cleaning Motors ..... | 227 |

|   |         |
|---|---------|
| Industrial DC T-PAK Motor Tachometer Packages .....     | 230     |
| Industrial Direct Current Motors .....                  | 229-230 |
| Industrial Permanent Magnet Direct Current Motors ..... | 229     |
| Industrial PMDC Washdown Motors .....                   | 226     |
| V-PAK PMDC Adjustable Speed Packages .....              | 228     |

## FARM RATED AND AGRI-BUSINESS MOTORS

|   |          |
|---|----------|
| Aeration Farm Motors .....                  | 190      |
| Auger Drive Motors .....                    | 191      |
| Centrifugal Fan Farm Motors .....           | 189      |
| Cow Cooler Motors .....                     | 185      |
| Crop Dryer Motors .....                     | 190      |
| Farm Building Belted Fan Motors .....       | 185      |
| Farm Building Direct Drive Fan Motors ..... | 184      |
| Farm Building Pedestal Motors .....         | 89       |
| Farm Duty Motors .....                      | 149, 187 |
| Farm Rated Motors .....                     | 188      |
| Grain Stirring Farm Motors .....            | 191      |
| High Torque Farm Equipment Motors .....     | 187      |
| Instant Reverse Farm Motors .....           | 186      |
| Milk Pump Farm Motors .....                 | 192      |
| Poultry Duty Motors .....                   | 186      |
| Zero Milk Tank Farm Motors .....            | 192      |

## GENERAL PURPOSE MOTORS, CAPACITOR START

|   |          |
|---|----------|
| C-Face, Dripproof, No Base, Industrial .....    | 145, 147 |
| C-Face, Dripproof, Rigid Base, Industrial ..... | 145-146  |
| C-Face, TEFC, No Base .....                     | 147      |
| C-Face, TEFC, Rigid Base .....                  | 148      |
| Enclosed, Rigid Base .....                      | 149      |
| Open, Resilient Base .....                      | 141-142  |
| Open, Rigid Base .....                          | 143-144  |
| Resilient Base, 2 Speed .....                   | 138      |

## GENERAL PURPOSE MOTORS, SPLIT PHASE

|  |         |
|--|---------|
| C-Face Ventilator Motors .....         | 140     |
| Resilient Base, Open, TEAO, TEFC ..... | 133-135 |
| Resilient Base, 2 Speed .....          | 138     |
| Rigid Base, Open .....                 | 137     |
| Quick-Fit™ Motors .....                | 136     |

## GENERAL PURPOSE MOTORS, THREE PHASE

|   |         |
|---|---------|
| Multi-Speed .....                           | 178-180 |
| No Base, C-Face, TEFC .....                 | 153-154 |
| No Base, C-Face, Dripproof .....            | 157-158 |
| Removable Base, C-Face, Dripproof .....     | 158     |
| Removable Base, C-Face, TEFC .....          | 155     |
| Resilient Base, Open .....                  | 150-151 |
| Resilient Base, 2-Speed .....               | 139     |
| Resilient Base, Totally Enclosed .....      | 152     |
| Rigid Base, Dripproof .....                 | 159-167 |
| Rigid Base, Dripproof, C-Face .....         | 157-158 |
| Rigid Base, TEFC, C-Face .....              | 155-156 |
| Rigid Base, TEFC .....                      | 168-175 |
| Severe Duty, High Efficiency E-Plus 3 ..... | 176-177 |

## OEM DIRECT REPLACEMENT MOTORS

|                    |         |
|--------------------|---------|
| Air Moving .....   | 94-132  |
| Pump .....         | 210     |
| Swim Pool .....    | 208-211 |
| Unit Bearing ..... | 16-18   |
| C-Frame .....      | 9-11    |



## PUMP MOTORS

|  |         |
|--|---------|
| C-Face, Commercial                             | 216     |
| Carbonator Pump                                | 222     |
| Close-Coupled, Open Dripproof, Capacitor Start | 221     |
| Close-Coupled, Open Dripproof, Three Phase     | 217-218 |
| Close-Coupled, TEFC, Three Phase               | 219-220 |
| Hot Water Circulator Pump Motors               | 92-93   |
| Jet Pump, C-Face, Open Dripproof               | 214     |
| Jet Pump, Square Flange, Open Dripproof        | 215     |
| Jet Pump, Special Direct Replacements          | 210     |
| Sump Pump                                      | 222     |

## SPECIAL PURPOSE MOTORS

|   |       |
|---|-------|
| Air Compressor Motors                         | 182   |
| Convection and Pizza Oven Motors              | 90    |
| Elevator Motors - Submersible                 | 224   |
| Elevator Motors - Belt Drive                  | 223   |
| Evaporative Cooler Motors                     | 87    |
| High Efficiency Belted or Direct Drive Motors | 88    |
| High Pressure Washer Motors                   | 181   |
| Hot Water Circulator Pump Motors              | 92-93 |
| Industrial Inverter-duty motors               | 225   |
| Nesbitt Replacement Motors                    | 90    |
| Oil Burner Motors                             | 91    |
| Pedestal Fan Motors                           | 89    |
| Quad Plus Motors                              | 183   |
| Transformer Cooling Fan Motors                | 88    |

## SWIM POOL PUMP MOTORS

|   |         |
|---|---------|
| Above Ground Flex 48 Pool and Spa Motors            | 205     |
| Centurion - C-Face and Spa Pump Motors              | 198-200 |
| Centurion - Square Flange Pool and Spa Motors       | 203-204 |
| ECM Variable Speed Pool Motors                      | 194     |
| Guardian Single-Speed SVRS Motors                   | 195     |
| Hayward Northstar Replacement Motors                | 211     |
| Hayward Tri-star Replacement Motors                 | 211     |
| Hoffinger (Doughboy/Lomart) Replacement Motors      | 208     |
| Pentair/Pac Fab Direct Replacement Motors           | 209     |
| Pool Cleaner Motors                                 | 208     |
| Purex Direct Replacement Motors                     | 209     |
| Single Phase Jet Pump Motors                        | 214-215 |
| Special Direct Replacement Pump Motors              | 210     |
| Sta-Rite Direct Replacement Spa Motors              | 207     |
| Three Phase Pool Pump Motors                        | 212     |
| Three Phase (Squirrel Cage) Pool Pump Motors        | 213     |
| Three Phase Square Flange Pool and Spa Motors       | 212     |
| Two Compartment - C-Face Pool Motors                | 196-197 |
| Two Compartment - Square Flange Pool Motors         | 201-202 |
| 2Green™ Two-Speed Pool Motors with Integrated Timer | 193     |
| Waterway Replacement Spa Motors                     | 206     |

## UNIT BEARING FAN MOTORS

|                             |       |
|-----------------------------|-------|
| Special Unit Bearing Motors | 16-18 |
| - OEM Direct Replacements   |       |
| Two Through 75 Watts        | 12-15 |
| ECM Motor                   | 13    |

## REFERENCES & PARTS AND ACCESSORIES

|  |          |
|--|----------|
| Bases  | 238, 243 |
| Capacitor Brackets and Covers                | 237-239  |
| Capacitors Start/Run                         | 234      |
| Conduit Accessories                          | 239      |
| Conduit Boxes                                | 239, 242 |
| DC Motor Adjustable Speed Control Dimensions | 233      |
| Drip Cover Kits                              | 243      |

|                                     |               |
|-------------------------------------|---------------|
| Fans                                | 235           |
| Flange Conversion Kits              | 241-242       |
| Length Adapters                     | 240-241       |
| Metric Motor Dimensions             | 249           |
| Mounting Accessories and Kits       | 236-241       |
| Rain Shields                        | 236           |
| Resilient Base Mounting Accessories | 238-241       |
| Resilient Rings                     | 238-241       |
| Shaft Adapter                       | 235, 237, 243 |
| Speed Control Accessories           | 232           |
| Speed Controls                      | 231-232       |
| Thermal Protection Kit              | 243           |

|                                 |     |
|---------------------------------|-----|
| <b>Footnote Cross Reference</b> | 6-7 |
|---------------------------------|-----|

|              |         |
|--------------|---------|
| <b>Index</b> | 256-283 |
|--------------|---------|

|                             |     |
|-----------------------------|-----|
| <b>Motor Selection Help</b> | 285 |
|-----------------------------|-----|

|                                 |         |
|---------------------------------|---------|
| <b>Nema Mounting Dimensions</b> | 247-249 |
|---------------------------------|---------|

|  |         |
|--|---------|
| <b>Rush Center - Motor Modifications</b> | 244-246 |
|--|---------|

|  |     |
|--|-----|
| <b>Square Flange Mounting Dimensions</b> | 247 |
|--|-----|

|   |     |
|---|-----|
| <b>Close Coupled Pump Mounting Dimensions</b> | 250 |
|---|-----|

|                            |         |
|----------------------------|---------|
| <b>DC Motor Dimensions</b> | 251-255 |
|----------------------------|---------|

|                             |     |
|-----------------------------|-----|
| <b>Terms and Conditions</b> | 284 |
|-----------------------------|-----|

|                        |     |
|------------------------|-----|
| <b>Warranty Policy</b> | 286 |
|------------------------|-----|



Motors specially designed, tested and warranted to be **Corona-Free** for compatible inverter duty are marked in this catalog with a ☼.



**E-Plus®  
Speed Engineered®  
Inverter Duty Motor**

## Why Specify Speed Engineered® Inverter Duty Motors?

Variable frequency drives (VFDs), while offering advantages of greater control and energy savings to commercial and industrial motor users, can also cause premature winding failure in motors not designed specifically for inverter duty. Now Century engineers have developed a solid solution...Speed Engineered® Inverter Duty Motor.

Speed Engineered Inverter Duty Motors are specially designed and constructed to eliminate the destructive forces that can occur when motors are applied with drives. The Speed Engineered "Corona-Free" solution eliminates the causes of premature winding failure.

All Speed Engineered motors meet or exceed NEMA MG1-31 performance standards, in addition to carrying Century's Speed Engineered warranty for inverter duty applications.

## The Causes of Premature Motor Failure

Research we conducted identified why motors can fail when used with variable frequency drives under certain operating conditions. The results were published in a white paper, *The Simple Truth About Motor/Drive Compatibility*, which is available from Century. Our findings revealed that "corona" as well as other potential hazards, can materialize and eventually damage motors applied with a drive.

## What is Corona?

VFDs create high voltage pulses at the motor, especially when the motor and drive are separated by long power leads. Those high voltage pulses (or voltage spikes) develop voltage potential between adjacent conductors in the motor winding.

When the voltage generated in the air between the conductors is high enough, the air breaks down.

This breakdown is known as "corona." The discharge that is created forms ozone, which causes the motor's magnet wire insulation to disintegrate, causing premature failure.

This phenomenon has been around for a long time and affects a limited number of earlier vintage motor/drive applications. But with drives becoming more sophisticated, inverter switching rates increasing and the percentage of motors operating with drives growing rapidly, incidents of downtime are also growing, and corona is now getting a lot of attention in the motor/drive industry.

There are several techniques employed in the market to increase motor tolerance to corona. Although simpler and less costly, these practices are not always effective since corona is not cured...only bandaged. The only way to be sure the destructive efforts of corona will not compromise your motor/drive application is to eliminate corona altogether. This is easily accomplished by specifying Century Speed Engineered motors on your next project.

## What Makes Corona-Free Speed Engineered® Motors Best For Motor-Drive Compatibility?

There are several solutions to the problem of motor insulation stress caused by inverters. Rather than just squelching the voltage overshoot which leads to corona, as mentioned earlier, the preferred method and the approach used by Century is to design the motor to be corona free at expected peak voltage. We begin with a design premise of understanding the magnet wire corona inception voltage (CIV) and distribution of voltage in the motor.

From that, our design approach becomes simply to:

**Choose a winding layout that minimizes the proximity voltage differences and reliably positions insulation materials to improve dielectrics above the threshold of corona...**

You may recognize this as the design approach for any motor, regardless if it is line operated or driven by an inverter. The difference is that with an inverter you must anticipate a much higher peak voltage and the rapid rise times of these potentially harmful pulses.



**E-Plus® 3  
Speed Engineered®  
Inverter Duty Motor**



**Speed Plus® Motor**

At Century®, we build a motor able to withstand voltage peaks 3.5 times what is stated on the motor nameplate. Therefore we design additional insulation (tape, sleeving, phase paper, etc.) and strategically locate this added insulation in a manner that will yield the necessary protection against the high voltage pulses that may occur between magnet wire strands. This approach yields the desired design integrity.

With the design for insulation and winding layout determined, the success of each motor now depends on placing the insulation properly during production. To provide final assurance for our customers, Century uses a proprietary CIV tester that employs a unique procedure to detect and measure corona for each and every Speed Engineered motor we produce...before that motor leaves our factory!

## **Because Motor/Drive Applications Are so Varied, Century Offers Three Distinct Families of Speed Engineered® Motors:**

**E-Plus®** motors, the industry's first high efficiency, energy-saving motor, meets 1997 EPACT standards. Now, E-Plus Motors also carry the protection of the Speed Engineered design and is warranted to offer the best performance available to inverter duty applications.

**E-Plus® 3** motors offer even heartier energy-efficient performance and savings, exceeding most utility conservation initiatives, in addition to meeting the 1997 EPACT standards. All E-Plus 3 motors are Speed Engineered rated for compatible inverter duty applications.

Both E-Plus® and E-Plus® 3 motors are available in a variety of application configurations including: variable or constant torque loads, PWM, sensorless or sensed vector and with limited or broad speed ranges.

Speed Engineered motors are rated for 4:1 speed ratio at constant torque or 6:1 at variable torque.

In addition to being corona free, Century **Speed Plus®** motors offer many additional benefits such as:

### **Wide Speed Ranges to fit your application:**

- 20:1 at constant torque, standard
- 1000:1 at constant torque with the addition of a blower kit

### **Standard Features provide operational flexibility and dependability:**

- Totally-enclosed severe duty
- All cast-iron construction
- VPI corona-free Class F insulation system
- F-1 mounted conduit box
- Dual foot holes
- Normally closed thermostats
- Encoder provisions

### **Highly Adaptable to address more specific process specifications:**

- Provisions for mounting a wide range of encoders:
  - Dynapar HS35
  - Avtron M285
  - Lakeshore SL56
  - BEI HS 35
- 120-volt A/C blower kits
- Drive end C-Face
- Drive end D-Flange
- Field convertible to F-2 conduit box location
- Brake kits

# Index of Footnotes

| No. | Footnote Description  | No. | Footnote Description   | No. | Footnote Description  |
|-----|---|-----|--|-----|---|
| 1   | Item to be discontinued when stock is depleted  | 71  | No hubs on either end  | 135 | Shaft has no flat   |
| 2   | Ball Bearing  | 72  | No brake kit available   | 136 | Shaft dim. = 9 X 1/2 X 8 1/2  |
| 3   | Special OEM replacement motor   | 73  | No base  | 137 | Shaft dim. = 8-1/2 X 1/2 X 9 1/8  |
| 4   | Supplied with lead and plug assembly  | 74  | Nema design A available until current stock is depleted, then will become Nema design B                    | 138 | Shaft dim. = 9 X 1/2 X 7-1/2  |
| 5   | \$ Energy efficient two value capacitor start, capacitor run motor                                      | 75  | Mounting rings not included  | 139 | Shaft dim. = 10-3/4 X 1/2 X 10-15/16  |
| 6   | 60/50 HZ  | 76  | Motors shipped with thru bolts out shaft end - See photos above. May be reversed for vertical applications | 140 | Shaft diameter is 1/2, N=2  |
| 7   | Resilient mounting rings included   | 77  | Molex Terminal Plug  | 141 | Shaft diameter is 1/2, N=1.94 with .04 deep flat  |
| 8   | Nema design A   | 78  | Moderate start torque  | 142 | Service factor amps   |
| 9   | Reversing plug  | 79  | Leadless design  | 143 | Service factor 1.00 under inverter power (sine wave power only 60 HZ) as shown above                        |
| 10  | Reversible. Quick connect terminals   | 80  | Large capacitor/terminal box construction  | 144 | Service factor 1.0 used on non-sinusoidal voltage wave forms  |
| 11  | C Flange kit available  | 81  | Includes base  | 145 | Run capacitor mounted on motor shell  |
| 12  | 303 Stainless steel shaft   | 82  | Horizontal mount only  | 146 | Round frame   |
| 13  | Six lead motor suitable for part winding start  | 83  | Extended thru bolts - 5/8  | 147 | Resilient mounting rings included for refrigeration applications  |
| 14  | Totally enclosed non-ventilated   | 84  | Energy efficient with split phase start, capacitor run with mounted capacitor                              | 148 | Replacement for Carrier HD52AK652   |
| 15  | 56HZ = 7/8 keyed X 2 5/16 shaft   | 85  | Energy efficient \$ - capacitor start/run  | 149 | Reconnect for separate speeds   |
| 16  | \$ E-Plus energy efficient motor complying with EPact   | 86  | Cord and plug with pull chain  | 150 | Rated 50/60 HZ  |
| 17  | Suitable for 208 volts @ 1.0 service factor   | 87  | Class F insulation   | 151 | Quick connect design bracket, auto overload protector   |
| 18  | Includes 1/4 - 5/16 bushing   | 88  | C & D flange kit adaptable, ODP, EMI Series 850000   | 152 | Pump series: L  |
| 19  | C & D flange kit available  | 89  | 60" leads  | 153 | Pump series: C  |
| 20  | \$ Energy efficient capacitor start, capacitor run Conservationist motor                                | 90  | 50 degree C ambient  | 154 | Previous stock numbers with X suffix are the same as current models   |
| 21  | Terminal in bracket construction  | 91  | 5/8 extended thru bolts, 1 7/8 shaft length and 1/2 shaft dia.   | 155 | Polaris Vac-sweep (shaft adapter not required)  |
| 22  | 3 thru bolts, 4.42 dia. Bolt circle   | 92  | 48/56 FR = 1/2 X 1 1/2 shaft with 5/8 shaft adapter - 48/56 slotted 3 height base                          | 156 | Open shaft end bracket  |
| 23  | Suitable for 200/400 volt and 50 HZ   | 93  | 36" cord   | 157 | Open construction   |
| 24  | Mounting accessories packaged with motor  | 94  | 30" leads (minimum)  | 158 | Open motor construction, overload protector mounted at 12 O'clock   |
| 25  | Has hex mounting hub on both ends for cradle base mounting  | 95  | 3/8 flattened shaft  | 159 | Open dripproof  |
| 26  | Extended thru bolts, shaft end only   | 96  | 2 thru bolts, 4.42 dia. Bolt circle  | 160 | Non-reversible, connected for CW facing end opposite shaft  |
| 27  | Extended thru bolts, both ends  | 97  | 182T and 184T mounting holes, 4.5 shaft height   | 161 | No side bosses  |
| 28  | Blower kit adaptable, TEFC  | 98  | 1/2 hub on shaft end and slinger   | 162 | No resilient rings. 12 leads with Molex terminal  |
| 29  | 60 degree C ambient   | 99  | 1/2 extended thru bolts, shaft end   | 163 | No keyway, double flat  |
| 30  | 56,140 frame combination base (12 mounting holes)   | 100 | 1/2 diameter shaft   | 164 | No hub on lead end end frame  |
| 31  | 40 degree C ambient   | 101 | 1.5 service factor   | 165 | No extended thru bolts  |
| 32  | 24" leads (minimum)   | 102 | 1.15 service factor  | 166 | No conduit box  |
| 33  | Roller bearings   | 103 | When using U. E. base, add (2) 1221A adapter rings to EACH mounting ring                                   | 167 | New Quad-Plus model - removable base (RMOV), vertical shaft up or down and steel frame construction         |
| 34  | Rigid base  | 104 | Vertical mount   | 168 | Nema 42/48 C-face, 1/2 diameter keyed shaft, 1 5/16 long  |
| 35  | Quick connect design bracket  | 105 | Use with 1805A or 2099A bracket  | 169 | Motors produced before June, 2003 are E+  |
| 36  | Lug mount   | 106 | Use 4MFD/370V capacitor  | 170 | Motors may be rewired to run CW   |
| 37  | Lead reversible, no plug  | 107 | Up rated - low service factor  | 171 | Motor is thermally protected  |
| 38  | Includes conduit box, mounting screws, gasket, shipped detached   | 108 | Two-speed motor  | 172 | Motor is center mounted   |
| 39  | Gasketed conduit box  | 109 | Two side bosses  | 173 | Motor has 4 studs   |
| 40  | Four mounting holes in shell  | 110 | Two mounting holes in each bracket for a 9 and for a 10.18 bolt circle                                     | 174 | Motor fits torque mount   |
| 41  | Extended thru bolts, lead end only  | 111 | Totally enclosed version of OCC1026  | 175 | Molex lead connection plug, 12 long leads   |
| 42  | Eight mounting holes in shell   | 112 | Totally enclosed fan cooled  | 176 | Moisture proof stator   |
| 43  | Class A insulation  | 113 | Totally enclosed   | 177 | Meets the requirements of the energy policy act of 1992   |
| 44  | CCWLE rotation only   | 114 | Threaded shaft with Acme threads   | 178 | Low speed 1/2 HP  |
| 45  | Capacitor start   | 115 | This motor is rated for operation on 60 or 50 HZ power, full load amps listed at 60 HZ                     | 179 | Low amps  |
| 46  | Adapt-a-Lug motors (See lugs)   | 116 | Temperature sensitive thermostat with two leads for connection to external control                         | 180 | Low amp replacement for a variety of OEM Special and SPL 5 horsepower requirements                          |
| 47  | 3/8 diameter shaft  | 117 | TEAO gasketed conduit box  | 181 | Loose lead construction   |
| 48  | 1.0 Service factor at 50 HZ   | 118 | TEAO   | 182 | Locked bearing on drive end   |
| 49  | 1.0 Service factor  | 119 | Suitable replacement for Aaon  | 183 | Lifting provisions  |
| 50  | Use with 5MFD/370V @ 230 volt, 7.5MFD/370 volt @ 208 volt   | 120 | Suitable replacement for 1/12 HP and 1/10 HP   | 184 | Lead exit is on shaft end   |
| 51  | Use downsize 250 Frame C & D flange kits (D-flange kit part # 800289-01, C-flange kit part # 800288-01) | 121 | Stronger 3/4 HP required for some applications   | 186 | Item to be discontinued when stock is depleted. Discontinued items available form Graham Transmission, Inc. |
| 52  | Two-speed connection: white-common, red-low, black-high   | 122 | Stock number 91 has a stainless steel shaft and 20 leads for use on ice machines                           | 187 | Includes mounting bracket and shaft bushing   |
| 53  | Twelve lead, wye delta  | 123 | Stock no. 684 BA dimension was 4, motors built after 4/98 will have a BA dim. Of 3 3/4                     | 188 | Includes split bushing and key for 5/8 shafts. 3 thru bolts on a 4.42 dia. Bolt circle                      |
| 54  | Triple build wire for greater high voltage insulation   | 124 | Stainless steel shaft  | 189 | Includes split bushing and key for 5/8 shafts   |
| 55  | Terminal board  | 125 | Special pivot style rigid base   | 190 | Includes pilot light detector   |
| 56  | TEAO gasketed conduit box - 3/4 extended thru bolts   | 126 | Special mounting bracket   | 191 | Includes mounting bracket   |
| 57  | Tapped holes for Coleman mount  | 127 | Special Hayward replacement for SP-1515-Z24-EBK, EBKC, C48MZA16A1  | 192 | Includes four (4) 10-32 mounting holes  |
| 58  | Supplied with resilient mounting rings  | 128 | Special Doughboy replacement, less base, 40 degree C ambient, Al. Windings                                 | 193 | Includes former GE brand equipment  |
| 59  | Suitable for use with low ambient speed control   | 129 | Special Canadian motor, external relay is required   | 194 | Includes fan blade  |
| 60  | Stock no. 1218A adapter and rings supplied for base mounting  | 130 | Sleeve bearing   | 195 | Includes 6' cord and switch   |
| 61  | Start capacitor inside  | 131 | Single flat on shaft   | 196 | Includes 5/8 adapter and key  |
| 62  | Split Phase   | 132 | Shaft sleeve and key supplied for 5/8 diameter   | 197 | Includes 2 speed plug   |
| 63  | Speck pump replacement motor  | 133 | Shaft N-W = 2.50 with two flats .04 deep, 2.16 long, 90 degrees apart                                      | 198 | Impedance protected   |
| 64  | Spade connector   | 134 | Shaft N-W = 2.50 with 5/8 diameter and keyway  | 199 | Horizontal rigid base   |
| 65  | Six lead, Wye Delta   |     |  | 200 | Has special 3.15 bolt circle  |
| 66  | Sealed switch design  |     |  |     |   |
| 67  | Rewire for second speed   |     |  |     |   |
| 68  | PSC motor   |     |  |     |   |
| 69  | Pin hole in shaft   |     |  |     |   |
| 70  | Permanent Split Capacitor   |     |  |     |   |



# Index of Footnotes

| No. | Footnote Description  | No. | Footnote Description  | No. | Footnote Description   |
|-----|---|-----|---|-----|--|
| 201 | Four studs on a 5.15 diameter bolt circle   | 258 | 6 MFD/370V @ 230V, 8MFD/370V @ 280V   | 326 | Cast Iron  |
| 202 | For motor only, use J375  | 259 | 575 volt brake coil   | 327 | Carrier Sensor Assembly (50HJ 401 484) not included  |
| 203 | For motor only, use J373  | 260 | 56Z = 1/2" flatted shaft  | 328 | Square Frame   |
| 204 | For motor only, use J372  | 261 | 56Z = 1/2" flat X 1-1/2" shaft, 3 1/2 shaft height  | 329 | For use with adjustable base   |
| 205 | For motor only, use J370  | 262 | 56Z = 1/2" flat X 1.62" shaft, with 56 FR. Base   | 330 | 56Z = 1/2" shaft with flat, 1.62" long   |
| 206 | MasterFit motor, for additional information see page 73   | 263 | 53" leads   | 331 | Cannot be mounted with rings – ring to ring dimension is body length                           |
| 207 | Fleximount arms are not attached to motor - bellyband with arms is packed with motor  | 264 | 50/60 HZ 1.4/1.7 Amps   | 332 | No connector plug, leads only  |
| 208 | Fits most 38GS Series   | 265 | 50 leads, 2 1/2 resilient rings   | 333 | Aluminum shell   |
| 209 | FB1106 & FR1106 also replaces motor used on Kramer Trenton units DD661, DD791 (use FR1106 for vertical applications)                                      | 266 | 50 HZ, 190/380 volt, 925 RPM  | 334 | Reversible   |
| 210 | FB1076/FR1076 also replaces Kramer Trenton 045-004 and Universal HF3W0R8K, HF3W052N   | 267 | 50 HZ - 1.00 service factor, 190/380 volt   | 335 | Energy Efficient, cap start, low speed, PSC high speed   |
| 211 | FB1056 is the same as FB1056X   | 268 | 50 HZ   | 336 | Capacitor start, low speed, PSC high speed   |
| 212 | FB1056 also replaces Dunham Bush motor MTR-226  | 269 | 50 cycle only   | 337 | Connection diagram may be #23, old #125 or new #125 depending on date of manufacture           |
| 213 | Farm duty - gasketed conduit box and capacitor cover  | 270 | 5/8 keyed shaft with flat   | 338 | Taco replacement   |
| 214 | F2 Assembly   | 271 | 5/8 keyed shaft   | 339 | Armstrong replacement  |
| 215 | Eyelet terminals on the leads   | 272 | 5/16 diameter shaft   | 340 | Bell and Gosset replacement  |
| 216 | Equipped with rotation switch for easy reversibility  | 273 | 48Z = 5/8 dia. X 2 shaft, with 3 height   | 341 | 1/2" dia. - shaft 2.25" long   |
| 217 | Equipped with provisions for mounting 4 X 4 conduit box   | 274 | 48Z = 1/2 flat X 1.88 shaft, with 48 FR base  | 342 | 5/8" dia. - shaft 2.37" long   |
| 218 | Energy efficient \$ - split phase start/capacitor run   | 275 | 48-56 frame mounting - 3 shaft height, sleeve and key adapter to 5/8 shaft  | 343 | 5/8" keyed shaft - 3.88" long  |
| 219 | Dual voltage connection: black-common, white-120 volt, red-240 volt   | 276 | 48-56 frame mounting - 3 1/2 shaft height, sleeve and key adapter to 5/8 shaft                                      | 344 | 5/8" keyed shaft - 2.31" long  |
| 220 | Dripcover kit available (Part # 103017-03)  | 277 | 47" leads   | 345 | Rigid base - wall mount  |
| 221 | Does not have conduit box   | 278 | 40" leads   | 346 | 65 degree C ambient  |
| 222 | Does not have aluminum adapter bracket  | 279 | 4 thru bolts and 4 dummy studs on a 5.16 diameter bolt circle   | 347 | 3 thru bolts, 4.62 dia, bolt circle  |
| 223 | Direct replacement for Surge milk pumps, Babson motor #27732, requires 30MFD/370VAC capacitor, separately - not supplied                                  | 280 | 4 in 1 multi-horsepower motor, replaces 1/3, 1/4, 1/5, 1/6 HP   | 348 | 6-1/2" diameter body   |
| 224 | Direct replacement for GE WB26X24, WB26X40 and WB26X45  | 281 | 36" leads   | 349 | 2-1/4" mounting rings  |
| 225 | Direct replacement for gaffer and saddler and dyna vent   | 282 | 3450 RPM for 60 HZ and 2875 RPM for 50 HZ   | 350 | Conduit connector included   |
| 226 | Direct replacement for Carlin 27490S  | 283 | 31" line leads, 5 capacitor leads   | 351 | eMod equipped motor  |
| 227 | Direct replacement for Beckett 21805U   | 284 | 31" leads (minimum)   | 352 | Pentair, almond paint, direct replacement motor  |
| 228 | CWSE not reversible   | 285 | 3/8-16, Left hand threads, CWPE rotation  | 353 | 56Z = 5/8" diameter keyed shaft, 2-1/8" long   |
| 229 | CWLE rotation   | 286 | 3.5 shaft height  | 354 | 56Z = 7/8" diameter keyed shaft, 2-1/4" long   |
| 230 | CSA approvable not applicable   | 287 | 3 shaft height  | 355 | Base 805C290H04 and Clamps 165B674A01 available  |
| 231 | Includes 8/32 mounting studs  | 288 | 26" leads (minimum)   | 356 | 3 rear mounting holes  |
| 232 | Closed main frame, 2 1/2 rings, 14 leads  | 289 | 12-1/4" leads   | 357 | 4 thru bolts, 4.42" dia. bolt circle   |
| 233 | Class B insulation  | 290 | 230V and 208V connection, same torque   | 358 | 4 thru bolts, on 4.62 dia. bolt circle   |
| 234 | Century nameplated product  | 291 | 208 Volt @ 1.0 Service factor   | 359 | 4 studs with spacer and nut on a 3.87 diameter bolt circle                                     |
| 235 | Centurion II motors are switchless. Designed in a 48 frame shell diameter that is .80 inches smaller than the 56 frame Centurion and Centurion SE designs | 292 | 20" leads   | 360 | 4 thru bolts on a 5.15 dia. bolt circle  |
| 236 | CCW rotation facing opposite shaft end  | 293 | 9" leads  | 361 | 9 leads  |
| 237 | Carrier replacement for HD60FK651, special BA dim. = 4.12   | 294 | 2.6" shaft height   | 362 | 12 lead – capability for Y Start-Delta Run   |
| 238 | Carrier replacement for HD60FK652, special BA dim. = 4.12   | 295 | 2 shaft length and 1/2" shaft diameter, sleeve and key adapter to 5/8"  | 363 | Double shielded bearings with no regreasing provisions   |
| 239 | Capacitor attached  | 296 | 2-Speed shipped less hi-lo switch for remote control  | 364 | Open bearings with regreasing provisions   |
| 241 | Capacitor and rain shield included  | 297 | 184T base, 4.5 shaft height   | 365 | 3 leads  |
| 242 | BX connector  | 298 | 2-1/4 X 7/8 keyed shaft   | 366 | 6 leads  |
| 243 | Base & clamp included, 9.44 ring to ring dimension  | 299 | 15" leads   | 367 | 12 leads   |
| 244 | Ball/sleeve construction  | 301 | 115 volt tap off main winding to power gear drive unit  | 368 | Inverter Duty  |
| 245 | Ball Bearing, for motor only, use J320  | 302 | 11" leads (minimum)   | 369 | Automatic Protector  |
| 246 | B668 fits pump #LA01N manufactured March, 1997 to present   | 303 | 11" leads   | 370 | 48" leads  |
| 247 | B667 fits pump #LA01 manufactured March, 1997 and prior   | 304 | 10.19 bolt circle, .28 diameter mounting holes  | 371 | Removable 56H rigid base   |
| 248 | B14 mount   | 305 | 10-1/2" leads   | 372 | VCM™ Feature (Voltage Change Module)   |
| 249 | Arneson Pool Sweep  | 306 | 1/4-20 UNC-2B tapped holes on a 4.67 diameter bolt circle   | 373 | Motors specially designed, tested and warranted to be Corona-Free for compatible inverter duty |
| 250 | Also 1/10 Hp at 1050 RPM  | 307 | 1/2" shaft, sleeve and key adapter to 5/8 shaft   | 374 | 55 degree ambient  |
| 251 | All 1 HP and 1 1/2 HP motor supplied with conversion kit allowing motor to be used in most 56 frame applications  | 308 | 1/2" hub on shaft end frame with slinger. Grommet on lead exits.  | 375 | 5" leads   |
| 252 | 8.5 foot conductor cord and plug with strain relief attached  | 309 | 1/2" extended thru bolts  | 376 | Open fan cooled  |
| 253 | 5/8" dia. keyed and flatted shaft 6" long   | 310 | 1/2" double flat shaft, 2 1/2 rings   |     |  |
| 254 | 8.26" bolt circle, .28" diameter mounting holes   | 311 | 1/2" dia. Shaft - single flat   |     |  |
| 255 | 70 degree C ambient   | 312 | 1.40 Service factor   |     |  |
| 256 | 7-3/8" diameter bolt circle   | 313 | 1" extended thru bolts each end   |     |  |
| 257 | 60 HZ only  | 314 | 1" extended thru bolts  |     |  |
|     |   | 315 | 1-7/8" shaft end, 1/2 lead end extended thru bolts  |     |  |
|     |   | 316 | 1-5/8" shaft end, 7/8 lead end extended thru bolts  |     |  |
|     |   | 317 | 1-5/8" extended thru bolts  |     |  |
|     |   | 318 | 1-1/2" extended thru bolts  |     |  |
|     |   | 319 | C Dimension is the total length including shaft   |     |  |
|     |   | 320 | 56Y = 7/8" diameter keyed shaft, 2.25 long  |     |  |
|     |   | 321 | Bohn/Heatcraft mounting hardware and OEM fan blade included.  |     |  |
|     |   | 322 | Mechanically Reversible   |     |  |
|     |   | 323 | Kit includes three fans: 4" blade, 5.50" dia., CCW rot., 5" blade, 5.50" dia. CCW rot. 5" blade, 4.00" dia. CW rot. |     |  |
|     |   | 324 | Motor fits tongue mount   |     |  |
|     |   | 325 | Can be mounted vertically by adding 10301702 cover (sold separately)  |     |  |

# Product Line

## C Frame

Pages 9-11



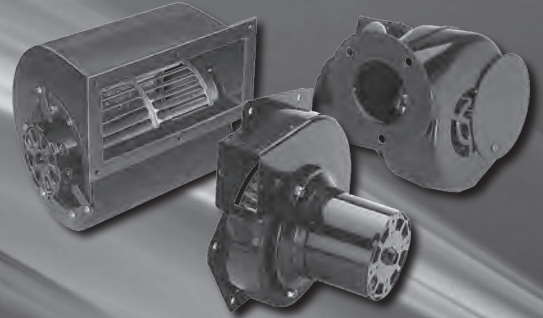
## 2-75W Unit Bearing Motors

Pages 12-18



## Centrifugal Blowers

Pages 19-27



## 3<sup>3</sup>/<sub>8</sub>" Motors

Pages 28-36



## 4<sup>5</sup>/<sub>16</sub>" Motors

Pages 38-39



## 5" Motors

Pages 40-56



## 5<sup>5</sup>/<sub>8</sub>" Motors

Pages 57-83



## 6<sup>1</sup>/<sub>2</sub>" Motors

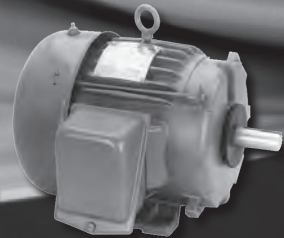
Pages 84-85



## NEMA 48-449T Frame —

## Single and Three-phase ODP and Totally Enclosed Motors

Pages 133-192



## Pool & Spa Motors

Page 193-215



## Commercial Pump Motors

Page 216-222



## Parts and Accessories

Pages 231-243



## Capacitors

Page 234

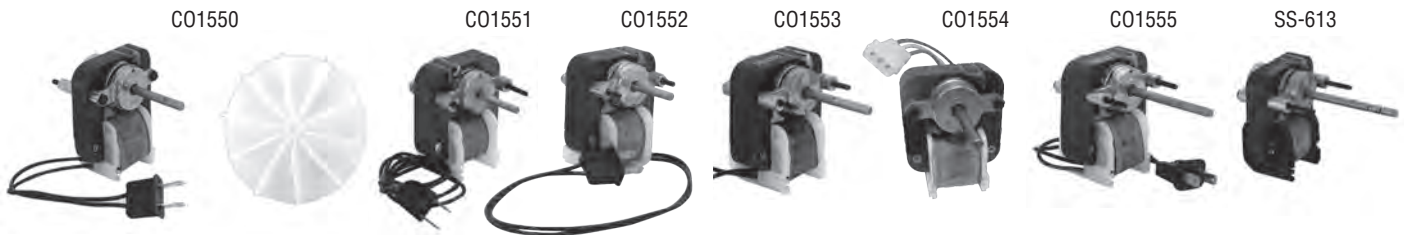


U|P|P|C|O | Universal Electric®

# Century®

# C Frame Motors

## Direct Replacement Motors



UL LISTED AND CSA CERTIFIED

### Nutone

| Stack Size | RPM/Speeds | Volts | Amps | Stock Number | Shaft Dia. and Length | Rotation Shaft End | Nutone No. | Industry Reference |            |        | Notes  |
|------------|------------|-------|------|--------------|-----------------------|--------------------|------------|--------------------|------------|--------|--------|
|            |            |       |      |              |                       |                    |            | Gem                | Robertshaw | Supco  |        |
| 1/2"       | 3000/1     | 120   | 0.51 | SS-613       | .217" x 2.51"         | CCW                | 82230      |                    |            |        |        |
| 1/2"       | 3000/1     | 120   | 0.89 | C01550       | .217" x 1.75"         | CCW                | C65878     | EM550              | VFM-100    | SM-550 | 194    |
| 5/8"       | 3000/1     | 120   | 1.08 | C01555       | .217" x 2.34"         | CCW                | C68627     | EM555              | VFM-106    | SM-555 |        |
| 3/4"       | 3000/1     | 120   | 0.93 | C01553       | .217" x 1.80"         | CCW                | C66582     | EM553              | VFM-104    | SM-553 | 215    |
| 3/4"       | 3000/1     | 120   | 0.96 | C01552       | .217" X 1.20"         | CCW                | C63675     | EM552              | VFM-103    | SM-552 |        |
| 7/8"       | 3000/2     | 120   | 1.15 | C01551       | .217" x 1.36"         | CW                 | C52367     | EM551              | VFM-101    | SM-551 | 52,197 |
| 7/8"       | 3000/2     | 120   | 1.47 | C01554       | .217" x 1.29"         | CCW                | C27987     | EM554              | VFM-105    | SM-554 | 52,197 |



C01691, C01692

### Bohn

| Stack Size | RPM  | Volts | Amps | Stock Number | Shaft Dia. and Length | Rotation Shaft End | Stand-offs    | Bohn  | Industry Reference |       |
|------------|------|-------|------|--------------|-----------------------|--------------------|---------------|-------|--------------------|-------|
|            |      |       |      |              |                       |                    |               |       | Gem                | Uppco |
| 5/8"       | 3000 | 120   | 0.80 | C01691       | .18 x 1.8             | CW                 | 5036F & 5018S | 5007S | EM691              | 85    |
| 5/8"       | 3000 | 240   | 0.32 | C01692       | .18 x 1.8             | CW                 | 5036G & 5018T | 5007T | EM692              | 1,86  |



BR052000



CBR216



BR0675



C01612

### Broan

| Stack Size | RPM/Speeds | Volts | Amps | Stock Number | Shaft Dia. and Length | Rotation Shaft End | Broan    | Industry Reference |       | Notes |
|------------|------------|-------|------|--------------|-----------------------|--------------------|----------|--------------------|-------|-------|
|            |            |       |      |              |                       |                    |          | Electrohome        | Rotom |       |
| 1/2"       | 2850/1     | 120   | 0.80 | CBR216       | .181" x 1.3"          | CCW                | 10940969 |                    |       |       |
| 3/4"       | 2850/2     | 120   | 1.04 | BR052000     | .217" x 1.2"          | CCW                | 30080072 |                    |       |       |
| 7/8"       | 2850/1     | 120   | 1.40 | BR0675       | .217" x 1.2"          | CCW                | 10940056 |                    |       |       |

**Notes:**

1. Item to be discontinued once stock is depleted
52. Two-Speed Connection: White-common, Red-low, Black-high
176. Moisture Proof Stator
194. Includes Fan Blade
197. Includes 2-Speed Plug
215. Eyelet Terminals on the Leads

# C Frame Motors

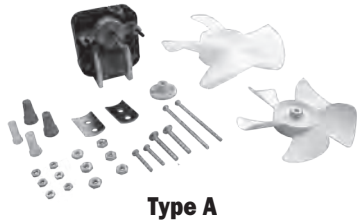
## Direct Replacement Motors

### Features:

- CSA Certified
- Fan Blades
- Mounting Hardware
- Mechanically reversible
- Single & Two-Speed
- Shaded Pole
- UL Recognize



C-Frame motor fans sold separately.  
See page 233.



**Type A**



**Type B**



**Type C**



**Type D**



**Type E**

Designed to replace many 3.3" diameter & "C" Frame Motors, used on commercial & domestic refrigeration applications, as well as exhaust fans, range hoods, heaters, ventilators, evaporators and many other air moving applications.

| Stack Size | RPM/Speeds  | Volts   | Amps      | Stock Number  | Shaft Dia. and Length | Rotation | Motor Type | Industry Reference |            |             |             |
|------------|-------------|---------|-----------|---------------|-----------------------|----------|------------|--------------------|------------|-------------|-------------|
|            |             |         |           |               |                       |          |            | Gem                | Robertshaw | Acme        | Notes       |
| 1/2"       | 3000/1      | 120     | 0.42      | <b>C01678</b> | .187" X 1.50"         | Rev.     | B          | EM678              | 14015      |             | 322         |
| 5/8"       | 3000/1      | 115     | 0.51      | <b>C01316</b> | .187" X 1.00"         | CWSE*    | B          |                    |            |             | 135,322     |
| 5/8"       | 3000/1      | 120     | 0.30      | <b>C01677</b> | .187" X 1.28"         | Rev.     | B          | EM677              | 14013      |             | 1           |
| 5/8"       | 3000/1      | 120     | 0.60      | <b>C01375</b> | .181" X 1.50"         | CCWSE*   | B          |                    |            |             | 4,322       |
| 3/4"       | 3000/1      | 120     | 0.90      | <b>C01330</b> | .217" X 2.37"         | CCWSE*   | B          |                    |            |             | 4,171,322   |
| 5/8"       | 2750/1      | 115     | 0.47      | <b>C01323</b> | .217" x 2.37"         | CWSE     | D          |                    |            |             |             |
| 5/8"       | 3000/1      | 120     | 0.40      | <b>C01670</b> | .187" X 1.42"         | Rev.     | A          | EM670              | 14001      | 600/700/710 | 322         |
| 5/8"       | 3000/1      | 120     | 0.40      | <b>C01671</b> | .187" X 1.42"         | Rev.     | B          | EM671              | 14003      |             | 322         |
| 5/8"       | 3000/1      | 120     | 0.45      | <b>C01700</b> | .187" x 1.63"         | CWSE*    | E          |                    |            | 700         | 321,322,323 |
| 5/8"       | 3000/1      | 120     | 0.48      | <b>C01679</b> | .217" X 1.38"         | Rev.     | A          | EM679              | 14017      |             | 322         |
| 5/8"       | 3000/1550/2 | 120     | 0.71/0.34 | <b>C01673</b> | .187" X 1.33"         | Rev.     | A          | EM673              | 14007      |             | 52,322      |
| 5/8"       | 3000/1      | 240     | 0.25      | <b>C01672</b> | .187" X 1.48"         | Rev.     | A          | EM672              | 14005      | 602/702     | 6,322       |
| 7/8"       | 3000/1      | 120     | 1.05      | <b>C01326</b> | .217" X 1.24"         | CCWSE    | B          |                    |            |             |             |
| 1"         | 3000/1550/2 | 120     | 0.73/0.36 | <b>C01682</b> | .187" X 1.29"         | Rev.     | B          | EM682              | 14023      |             | 52,322      |
| 1"         | 3000/1550/2 | 120     | 0.82/0.21 | <b>C01684</b> | .218" X 2.25"         | Rev.     | B          | EM684              |            |             | 1,4         |
| 1"         | 3000/1      | 120/240 | 1.0/0.50  | <b>C01675</b> | .187" X 2.07"         | Rev.     | A          | EM675              |            | 7502        | 219,322     |
| 1"         | 3000/1      | 240     | 0.30      | <b>C01683</b> | .187" X 1.15"         | Rev.     | B          | EM683              | 14025      |             | 322         |
| 1-1/8"     | 3000/1      | 120     | 0.70      | <b>C01680</b> | .187" X 1.46"         | Rev.     | B          | EM680              | 14019      | 750         | 322         |
| 1-1/8"     | 3000/1      | 240     | 0.60      | <b>C01329</b> | .217" x 1"            | CCWSE    | D          |                    |            |             |             |
| 1-1/5"     | 3000/1      | 115     | 1.10      | <b>C01322</b> | .250" X 2.00"         | REV      | B          |                    |            |             | 2,171,322   |

### Notes:

- Item to be discontinued once stock is depleted
- Supplied with lead and plug assembly
- 50/60 HZ
- Two-speed connection: white-common, red-low, black-high
- Shaft has no flat
- Motor is thermally protected
- Dual voltage connection: black-common, white-120 volt, red-240 volt
- Bohn/Heatcraft mounting hardware and OEM fan blade included
- Mechanically reversible
- Kit includes three fans: 4 blade, 5.50 dia. CCW rot., 5 blade, 5.50 dia. CCW rot., 5 blade, 4.00 dia. CW rot

\*To reverse the rotation of a C-Frame motor, remove the shaft from one side of the stack and re-install it back on the opposite side of the stack.



## Direct Replacement Motors



**Type A**



**Type B**



**Type C**

### 120 VOLT, EVAPORATIVE FAN MOTORS

| Stack Size | RPM/Speeds | Volts | Amps | Stock Number   | Shaft Dia. and Length | Rotation | Motor Type | Gem          | Industry Reference    | Notes |
|------------|------------|-------|------|----------------|-----------------------|----------|------------|--------------|-----------------------|-------|
| 1/2"       | 3000       | 120   | .20  | <b>C01336</b>  | .125" x 1.30"         | CWSE     | C          | <b>EM336</b> | For Gibson/Frigidaire | 77    |
| 1/2"       | 3000       | 120   | .30  | <b>C01334</b>  | .187" x 1.66"         | CWSE     | B          | <b>EM334</b> | For Admiral           | 64    |
| 5/8"       | 3000       | 115   | .40  | <b>C01335A</b> | .187" x 1.67"         | CWSE     | A          | <b>EM335</b> | For Admiral           | 64    |

**Notes:**

64. Spade Connector

77. Molex Plug

## Fireplace Fan

**Features:**

- Mounting Brackets fit 5.83" B.C.D.
- Universal Fireplace Fan Replacement
- 100 CFM



C01574

| Stack Size | RPM  | Speeds | Volts | Hz | Amps | Stock Number  | Alternate | Shaft Dia. and Length | Rotation | Protection | Cross Reference     | Notes |
|------------|------|--------|-------|----|------|---------------|-----------|-----------------------|----------|------------|---------------------|-------|
| 1/2"       | 3000 | 1      | 120   | 60 | .46  | <b>C01574</b> |           |                       | CWSE     | Impedance  | Rotom RF100<br>J574 |       |

# Unit Bearing Fan Motors

## Features:

- Aluminum & Cast Iron
- All Models Include Vibration Dampening Hub Washer, Speed Nut and 4 Mounting Screw
- Continuous Duty, Air Over
- 60/50 Hz
- Shaded Pole
- 115 & 230 Volt
- Totally Enclosed
- UL & CSA Recognized
- Horizontal and shaft up mounting only



## CAST IRON - TWO MOUNTING FEET

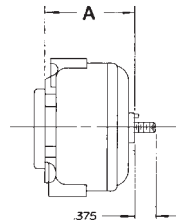
| Watts Output | RPM  | Volts | Amps | Stock Number | Rotation | Rear Mounting Holes | "A" Dim. | Emerson Number | Notes |
|--------------|------|-------|------|--------------|----------|---------------------|----------|----------------|-------|
| 2            | 1550 | 115   | 0.22 | UB02CWL2F    | CWLE     | 3                   | 2.52     |                |       |
| 4            | 1550 | 115   | 0.29 | UB04CWL2F    | CWLE     | 3                   | 2.52     | 2115           |       |
| 4            | 1550 | 115   | 0.29 | UB04CCL2F    | CCWLE    | 3                   | 2.52     | 2103           |       |
| 4            | 1550 | 230   | 0.15 | UB04CWH2F    | CWLE     | 3                   | 2.52     | 2123           |       |
| 4            | 1550 | 230   | 0.15 | UB04CCH2F    | CCWLE    | 3                   | 2.52     | 2122           |       |
| 5            | 1550 | 115   | 0.34 | UB05CWL2F    | CWLE     | 3                   | 2.52     | 2119           |       |
| 6            | 1550 | 115   | 0.40 | UB06CWL2F    | CWLE     | 3                   | 2.74     | 2117           |       |
| 6            | 1550 | 115   | 0.40 | UB06CCL2F    | CCWLE    | 3                   | 2.74     | 2116           |       |
| 9            | 1550 | 115   | 0.55 | UB09CWL2F    | CWLE     | 3                   | 2.74     | 2108           |       |
| 9            | 1550 | 115   | 0.55 | UB09CCL2F    | CCWLE    | 3                   | 2.74     | 2118           |       |
| 9            | 1550 | 230   | 0.27 | UB09CWH2F    | CWLE     | 3                   | 2.74     | 2110           |       |
| 9            | 1550 | 230   | 0.27 | UB09CCH2F    | CCWLE    | 3                   | 2.74     | 2109           |       |
| 16           | 1550 | 115   | 1.0  | UB16CWL12F   | CWLE     | 3                   | 3.11     | 2112           |       |
| 16           | 1550 | 115   | 1.0  | UB16CCL12F   | CCWLE    | 3                   | 3.11     | 2111           |       |
| 16           | 1550 | 230   | 0.50 | UB16CWH12F   | CWLE     | 3                   | 3.11     | 2114           |       |
| 16           | 1550 | 230   | 0.50 | UB16CCH12F   | CCWLE    | 3                   | 3.11     | 2113           |       |

## ALUMINUM - TWO MOUNTING FEET

| Watts Output | RPM  | Volts | Amps | Stock Number | Rotation | Rear Mounting Holes | "A" Dim. | Emerson Number | Notes |
|--------------|------|-------|------|--------------|----------|---------------------|----------|----------------|-------|
| 4            | 1550 | 115   | 0.29 | UB04CLA2F    | CCWLE    | 5                   | 2.25     | D555           | 1     |
| 5            | 1550 | 115   | 0.34 | UB05CLA2F    | CCWLE    | 5                   | 2.25     | D583           |       |
| 6            | 1550 | 115   | 0.40 | UB06CWL2F    | CWLE     | 5                   | 2.50     | D558           | 1     |
| 6            | 1550 | 115   | 0.40 | UB06CLA2F    | CCWLE    | 5                   | 2.50     | D559           | 1     |
| 9            | 1550 | 115   | 0.50 | UB09CLA2F    | CCWLE    | 5                   | 2.50     | D563           | 1     |
| 9            | 1550 | 230   | 0.25 | UB09CWA2F    | CWLE     | 5                   | 2.50     | D564           | 1     |
| 9            | 1550 | 230   | 0.25 | UB09CHA2F    | CCWLE    | 5                   | 2.50     | D565           | 1     |

### Notes:

1. Item to be discontinued when stock is depleted  
See Parts & Accessories starting on page 231



**Features:**

- Advanced ECM Design
- Up to 65% Efficiency
- Rain Shielded
- Cast Iron
- 13" Leads
- Lyall Plug
- UL Approved E128044
- Wide temperature range oil for use in evaporators and condensers.
- Tapped & Drilled Mounting Holes
  - Evaporator Mount - Standard 3-hole, 4-hole Hussmann Style
  - Condenser Mount - Double boss



**Breakthrough motor design offers huge energy savings for the refrigeration market.**

Replaces 6, 9, 12 and 14, 15, 16 watt PSC and low efficiency shaded pole motors in evaporators and condenser units.

**Direct Drop-in Replacement for supermarket case evaporator fans and condenser units**



9207F2,  
9208F2,  
9211



9214L,  
9214H



9209L,  
9210L,  
9209H,  
9210H



9215L,  
9215H,  
9216L,  
9216H



9212,  
9213

| Watts            | RPM  | Volts   | Amps    | Stock No.     | ROT OSE    | Mounting Holes        | "A" Dim. | Notes       |
|------------------|------|---------|---------|---------------|------------|-----------------------|----------|-------------|
| 6, 9, 12         | 1550 | 115     | .2-.3   | <b>9207F2</b> | CW         | 5 rear mounting holes | 2.93     |             |
| 14, 15, 16       | 1550 | 115     | .47-.58 | <b>9208F2</b> | CW         | 5 rear mounting holes | 2.93     |             |
| 13               | 1725 | 115     | 0.47    | <b>9211</b>   | CW         | 5 rear mounting holes | 2.93     | <b>New!</b> |
| 6,9,12           | 1550 | 115     | 0.31    | <b>9212</b>   | CW         | 7 rear mounting holes | 3.03     | <b>New!</b> |
| 14,15,16         | 1550 | 115     | 0.41    | <b>9213</b>   | CW         | 7 rear mounting holes | 3.03     | <b>New!</b> |
| HP               | RPM  | Volts   | Amps    | Stock No.     | ROT OSE    | Mounting Holes        | "A" Dim. | Notes       |
| 1/15, 1/20, 1/25 | 1550 | 115     | 1.3     | <b>9214L</b>  | Reversible | 4 studs each end      | 3.58     | <b>New!</b> |
| 1/15, 1/20, 1/25 | 1550 | 208-230 | 0.63    | <b>9214H</b>  | Reversible | 4 studs each end      | 3.58     | <b>New!</b> |
| 1/15, 1/20, 1/25 | 1550 | 115     | 1.25    | <b>9209L</b>  | CCW        | 4 studs SE            | 3.20     | <b>New!</b> |
| 1/15, 1/20, 1/25 | 1550 | 115     | 1.25    | <b>9210L</b>  | CW         | 4 studs SE            | 3.20     | <b>New!</b> |
| 1/15, 1/20, 1/25 | 1550 | 230     | 0.77    | <b>9209H</b>  | CCW        | 4 studs SE            | 3.20     | <b>New!</b> |
| 1/15, 1/20, 1/25 | 1550 | 230     | 0.77    | <b>9210H</b>  | CW         | 4 studs SE            | 3.20     | <b>New!</b> |
| 1/15, 1/20, 1/25 | 1625 | 120     | 1.2     | <b>9215L</b>  | CCW        | 4 studs each end      | 2.85     | <b>New!</b> |
| 1/15, 1/20, 1/25 | 1625 | 230     | 0.7     | <b>9215H</b>  | CCW        | 4 studs each end      | 2.85     | <b>New!</b> |
| 1/15, 1/20, 1/25 | 1625 | 120     | 1.2     | <b>9216L</b>  | CW         | 4 studs each end      | 2.85     | <b>New!</b> |
| 1/15, 1/20, 1/25 | 1625 | 230     | 0.7     | <b>9216H</b>  | CW         | 4 studs each end      | 2.85     | <b>New!</b> |

Replaces 1/15, 1/20, 1/25 HP PSC and low efficient shaded pole designs.

# Unit Bearing Fan Motors

## Features:

- Aluminum & Cast Iron
- All Models Include Vibration Dampening Hub Washer, Speed Nut and 4 Mounting Screw
- Continuous Duty, Air Over
- 60/50 Hz
- Shaded Pole
- 115 & 230 Volt
- Totally Enclosed
- UL & CSA Recognized
- Horizontal and shaft up mounting only



## CAST IRON - ONE MOUNTING FOOT

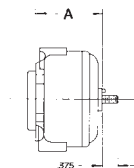
| Watts Output | RPM  | Volts | Amps | Stock Number | Rotation | Rear Mounting Holes | "A" Dim. | GE No. | Notes |
|--------------|------|-------|------|--------------|----------|---------------------|----------|--------|-------|
| 2.5          | 1550 | 115   | 0.26 | UB025CWL     | CWLE     | 3                   | 2.39     | 5111   |       |
| 4            | 1550 | 115   | 0.29 | UB04CWL      | CWLE     | 3                   | 2.39     | 5211   | 1     |
| 4            | 1550 | 115   | 0.29 | UB04CCL      | CCWLE    | 3                   | 2.39     | 5212   | 1     |
| 4            | 1550 | 230   | 0.15 | UB04CWH      | CWLE     | 3                   | 2.39     | 5221   | 1     |
| 4            | 1550 | 230   | 0.15 | UB04CCH      | CCWLE    | 3                   | 2.39     | 5222   | 1     |
| 6            | 1550 | 115   | 0.40 | UB06CWL      | CWLE     | 3                   | 2.93     | 5311   | 1     |
| 6            | 1550 | 115   | 0.40 | UB06CCL      | CCWLE    | 3                   | 2.93     | 5312   | 1     |
| 9            | 1550 | 115   | 0.55 | UB09CWL      | CWLE     | 3                   | 2.93     | 5411   | 1     |
| 9            | 1550 | 115   | 0.55 | UB09CCL      | CCWLE    | 3                   | 2.93     | 5412   | 1     |
| 9            | 1550 | 230   | 0.27 | UB09CWH      | CWLE     | 3                   | 2.93     | 5421   | 1     |
| 9            | 1550 | 230   | 0.27 | UB09CCH      | CCWLE    | 3                   | 2.93     | 5422   | 1     |
| 16           | 1550 | 115   | 1.0  | UB16CWL1     | CWLE     | 3                   | 3.19     | 5811   | 1     |
| 16           | 1550 | 115   | 1.0  | UB16CCL1     | CCWLE    | 3                   | 3.19     | 5812   | 1     |
| 16           | 1550 | 230   | 0.50 | UB16CWH1     | CWLE     | 3                   | 3.19     | 5821   | 1     |
| 16           | 1550 | 230   | 0.50 | UB16CHV1     | CCWLE    | 3                   | 3.19     | 5822   | 1     |

## ALUMINUM - ONE MOUNTING FOOT

| Watts Output | RPM  | Volts | Amps | Stock Number | Rotation | Rear Mounting Holes | "A" Dim. | GE No. | Notes |
|--------------|------|-------|------|--------------|----------|---------------------|----------|--------|-------|
| 2            | 1550 | 115   | 0.22 | UB02CWLA     | CWLE     | 3                   | 2.47     | 5109   | 1,161 |
| 2.3          | 1550 | 115   | 0.25 | UB023CWLA    | CWLE     | 3                   | 2.47     |        | 161   |
| 4            | 1550 | 115   | 0.29 | UB04CWLA     | CWLE     | 3                   | 2.47     | 5213   | 1     |
| 4            | 1550 | 115   | 0.29 | UB04CCLA     | CCWLE    | 3                   | 2.47     | 5214   | 1     |
| 4            | 1550 | 230   | 0.15 | UB04CWHA     | CWLE     | 3                   | 2.47     | 5223   | 1     |
| 4            | 1550 | 230   | 0.15 | UB04CCHA     | CCWLE    | 3                   | 2.47     | 5224   | 1     |
| 6            | 1550 | 115   | 0.40 | UB06CWLA     | CWLE     | 3                   | 2.91     | 5313   | 1     |
| 6            | 1550 | 115   | 0.40 | UB06CCLA     | CCWLE    | 3                   | 2.91     | 5314   | 1     |
| 9            | 1550 | 115   | 0.50 | UB09CWLA     | CWLE     | 3                   | 2.91     | 5413   | 1     |
| 9            | 1550 | 115   | 0.50 | UB09CCLA     | CCWLE    | 3                   | 2.91     | 5414   | 1     |
| 9            | 1550 | 230   | 0.25 | UB09CWHA     | CWLE     | 3                   | 2.91     | 5423   | 1     |
| 9            | 1550 | 230   | 0.25 | UB09CCHA     | CCWLE    | 3                   | 2.91     | 5424   | 1     |
| 16           | 1550 | 115   | 1.0  | UB16CWLA     | CWLE     | 3                   | 3.19     | 5813   | 1     |
| 16           | 1550 | 115   | 1.0  | UB16CCLA     | CCWLE    | 3                   | 3.19     | 5814   | 1     |
| 16           | 1550 | 230   | 0.50 | UB16CWHA     | CWLE     | 3                   | 3.19     | 5823   | 1     |

### Notes:

1. Item to be discontinued when stock is depleted
161. No side bosses  
See Parts & Accessories starting on page 231

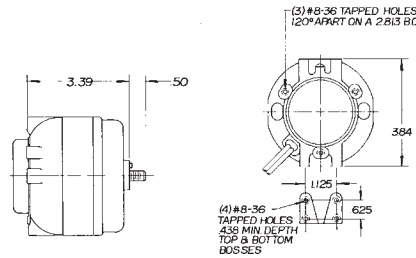




## 16-25-35 WATT (1/50 to 1/20 HP)

### Features:

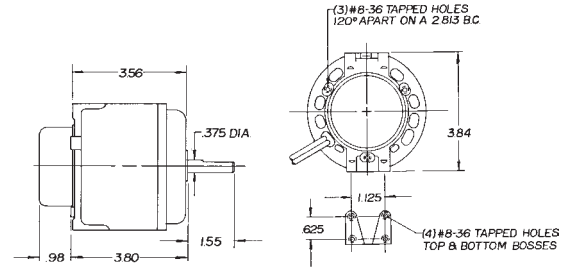
- High Efficiency
- Cast Iron
- Fan Motors
- Horizontal and Shaft Up mounting only



## 50-75 WATT (1/15 HP)

### Features:

- High Efficiency
- Cast Iron
- Fan Motors
- Horizontal and Shaft Up mounting only



| Watt Output | RPM  | Volts   | Amps | Stock Number | Shaft Diameter & Length | Rotation | EMS Number     | OEM Part Number  | Notes |
|-------------|------|---------|------|--------------|-------------------------|----------|----------------|------------------|-------|
| 15          | 1500 | 115     | .60  | 277          | 5/16 x 7                | CCWLE    | ESPOL15EMJR11  | 24-0366          | 3     |
| 15          | 1500 | 115     | .60  | 292          | 5/16 x 5                | CCWLE    | ESP-L15EMJR1B2 |                  |       |
| 15          | 1500 | 115     | .60  | 296          | 5/16 x 9                | CCWLE    | ESP-L15EMJR17  |                  | 69    |
| 16          | 1500 | 115     | .80  | 246          | 1/4 x 20THD             | CWLE     | ESPL16EM1      |                  |       |
| 16          | 1500 | 115     | .80  | 247          | 1/4 x 20THD             | CCWLE    | ESPL16EMR1     |                  |       |
| 16          | 1500 | 230     | .40  | 248          | 1/4 x 20THD             | CWLE     | ESPL16EM2      |                  |       |
| 16          | 1500 | 230     | .40  | 249          | 1/4 x 20THD             | CCWLE    | ESPL16EMR2     |                  |       |
| 25          | 1500 | 115     | 1.1  | 297          | 5/16 x 7                | CCWLE    | ESPL25MJR1B1   |                  | 3,69  |
| 25          | 1500 | 115     | 1.1  | 250          | 1/4 x 20THD             | CWLE     | ESPL25EM1      |                  |       |
| 25          | 1500 | 115     | 1.1  | 251          | 1/4 x 20THD             | CCWLE    | ESPL25EMR1     |                  |       |
| 25          | 1500 | 230     | .60  | 252          | 1/4 x20THD              | CWLE     | ESPL25EM2      |                  |       |
| 25          | 1500 | 230     | .60  | 253          | 1/4 x20THD              | CCWLE    | ESPL25EMR2     |                  |       |
| 35          | 1500 | 115     | 1.4  | 254          | 1/4 x20THD              | CWLE     | ESPL35EM1      | 810M035A29       |       |
| 35          | 1500 | 115     | 1.4  | 255          | 1/4 x20THD              | CCWLE    | ESPL35EMR1     |                  |       |
| 35          | 1500 | 230     | .70  | 256          | 1/4 x20THD              | CWLE     | ESPL35EM2      | 810M035A21 & A28 |       |
| 35          | 1500 | 230     | .70  | 257          | 1/4 x20THD              | CCWLE    | ESPL35EMR2     |                  |       |
| 50          | 1500 | 115     | 1.7  | 258          | 3/8 x1-1/2              | CWLE     | ESPOL50EM1     | 050-0244-01      |       |
| 50          | 1500 | 115     | 1.7  | 291          | 5/16 x 3                | CWLE     | ESPOL50EM1B1   | 134350000        | 3     |
| 50          | 1500 | 115     | 1.7  | 259          | 3/8 x1-1/2              | CCWLE    | ESPOL50EMR1    |                  | 3,6   |
| 50          | 1500 | 115     | 1.7  | 289          | 3/8 x 1-1/2             | CWLE     | ESPOL50EM13    | 998-1008-00      | 3,187 |
| 50          | 1500 | 230     | .85  | 260          | 3/8 x1-1/2              | CWLE     | ESPOL50EM2     | 050-0244-00      | 6     |
| 50          | 1500 | 208-230 | 1.2  | 9200         | 3/8 x1-1/4              | CWLE     | ESPOL60EM2     |                  |       |
| 50          | 1500 | 230     | .85  | 261          | 3/8 x1-1/2              | CCWLE    | ESPOL50EMR2    |                  | 3,6   |
| 50          | 1500 | 230     | .85  | 276          | 5/16 x 2-1/2            | CCWLE    | ESPOL50EMJR21  | 810M050A62       | 3     |
| 50          | 1500 | 230     | .85  | 285          | 5/16 x 1-1/2            | CWLE     | ESPOL50EM2B    |                  | 3     |
| 50          | 1500 | 230     | .85  | 288          | 3/8 x1-1/2              | CWLE     | ESPOL50EM26    | 998-1007-00      | 3,187 |
| 50          | 1500 | 460     | .44  | 290          | 3/8 x1-1/2              | CWLE     | ESPOL50EM461   | 050-0244-02      | 3     |
| 75          | 1500 | 230     | 1.5  | 298          | 3/8 x1-1/2              | CWLE     | ESPOL75EM2     |                  |       |

### Notes:

- 3. Special OEM Replacement Motor (See Pages 16-18)
  - 6. 60/50 HZ
  - 69. Pin hole in shaft
  - 187. Includes Mounting Bracket and Shaft Bushing
- See Parts & Accessories starting on page 231

# Special Unit Bearing Replacement Motors

## Bally



285

| Watt Output | RPM  | Speeds | Volts | Amps | Motor Dia. | Stock Number | Shaft Dia. & Length | Rotation | Capacitor   | "A" Dim | Cross Reference | Notes |
|-------------|------|--------|-------|------|------------|--------------|---------------------|----------|-------------|---------|-----------------|-------|
| 50          | 1500 | 1      | 230   | .85  | 3-7/8"     | 285          | 5/16 x 1-1/2        | CWLE     | Shaded Pole | 3.77    | ESPOL50EM2B     |       |

## Copeland



254



258, 260, 290



276



288, 289

| Watt Output | RPM  | Speeds | Volts | Amps | Motor Dia. | Stock Number | Shaft Dia. & Length | Rotation | Capacitor   | "A" Dim | Cross Reference | Notes |
|-------------|------|--------|-------|------|------------|--------------|---------------------|----------|-------------|---------|-----------------|-------|
| 35          | 1500 | 1      | 115   | 1.4  | 3-7/8"     | 254          | 1/4"-20 THD.        | CWLE     | Shaded Pole | 3.39    | 050-0267-0      |       |
| 50          | 1500 | 1      | 115   | 1.7  | 3-7/8"     | 258          | 3/8 x 1-1/2         | CWLE     | Shaded Pole | 3.78    | 050-0244-01     |       |
| 50          | 1500 | 1      | 230   | .85  | 3-7/8"     | 260          | 3/8 x 1-1/2         | CWLE     | Shaded Pole | 3.78    | 050-0244-00     |       |
| 50          | 1500 | 1      | 115   | 1.7  | 3-7/8"     | 289          | 3/8 x 1-1/2         | CWLE     | Shaded Pole | 3.78    | 998-1008-00     |       |
| 50          | 1500 | 1      | 230   | .85  | 3-7/8"     | 288          | 3/8 x 1-1/2         | CWLE     | Shaded Pole | 3.78    | 050-0244-00     |       |
| 50          | 1500 | 1      | 230   | .85  | 3-7/8"     | 276          | 5/16 x 2-1/2        | CCWLE    | Shaded Pole | 3.75    | 050-0264-0      |       |
| 50          | 1500 | 1      | 460   | .44  | 3-7/8"     | 290          | 3/8 x 1-1/2         | CWLE     | Shaded Pole | 3.63    | 050-0244-02     |       |

## Crystal Tips



246

| Watt Output | RPM  | Speeds | Volts | Amps | Motor Dia. | Stock Number | Shaft Dia. & Length | Rotation | Capacitor   | "A" Dim | Cross Reference | Notes |
|-------------|------|--------|-------|------|------------|--------------|---------------------|----------|-------------|---------|-----------------|-------|
| 16          | 1550 | 1      | 115   | .80  | 3-7/8"     | 246          | 1/4"-20 THD.        | CWLE     | Shaded Pole | 3.39    | 879-386857      |       |

## Gibson/Kelvinator



277

| Watt Output | RPM  | Speeds | Volts | Amps | Motor Dia. | Stock Number | Shaft Dia. & Length | Rotation | Capacitor   | "A" Dim | Cross Reference | Notes |
|-------------|------|--------|-------|------|------------|--------------|---------------------|----------|-------------|---------|-----------------|-------|
| 15          | 1500 | 1      | 115   | .60  | 3-7/8"     | 277          | 5/16 x 7            | CCWLE    | Shaded Pole | 3.32    | 24-0366         |       |

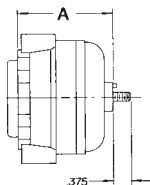
## Hill Refrigeration



UB05CWL2F

| Watt Output | RPM  | Speeds | Volts | Amps | Motor Dia. | Stock Number | Shaft Dia. & Length | Rotation | Capacitor   | "A" Dim | Cross Reference | Notes |
|-------------|------|--------|-------|------|------------|--------------|---------------------|----------|-------------|---------|-----------------|-------|
| 5           | 1550 | 1      | 115   | .34  | 3-1/2"     | UB05CWL2F    | 1/4"-20 THD.        | CWLE     | Shaded Pole | 2.50    | PP7577M         |       |

Notes:  
See Parts & Accessories starting on page 231



# Special Unit Bearing Replacement Motors

## Hussmann



9211

| Watt Output | RPM  | Speeds | Volts | Amps | Stock Number | Rotation | "A" Dim | Cross Reference  | Notes       |
|-------------|------|--------|-------|------|--------------|----------|---------|------------------|-------------|
| 13          | 1725 | 1      | 115   | .47  | 9211         | CW       | 2.93    | 4410547, 441-547 | <b>NEW!</b> |

## Ice-O-Matic



246, 254, 256



260

| Watt Output | RPM  | Speeds | Volts | Amps | Motor Dia. | Stock Number | Shaft Dia. & Length | Rotation | Capacitor   | "A" Dim | Cross Reference          | Notes |
|-------------|------|--------|-------|------|------------|--------------|---------------------|----------|-------------|---------|--------------------------|-------|
| 16          | 1500 | 1      | 115   | .80  | 3-7/8"     | 246          | 1/4"-20 THD.        | CWLE     | Shaded Pole | 3.39    | 9161045-04               |       |
| 35          | 1500 | 1      | 115   | 1.4  | 3-7/8"     | 254          | 1/4"-20 THD.        | CWLE     | Shaded Pole | 3.39    | 9161078-01               |       |
| 35          | 1500 | 1      | 230   | .70  | 3-7/8"     | 256          | 1/4"-20 THD.        | CWLE     | Shaded Pole | 3.39    | 9161078-03<br>309316-000 |       |
| 50          | 1500 | 1      | 230   | .85  | 3-7/8"     | 260          | 3/8" x 1-1/2"       | CWLE     | Shaded Pole | 3.78    | 319357-000               |       |

## IMI Cornelius



297



256



260, 291

| Watt Output | RPM  | Speeds | Volts | Amps | Motor Dia. | Stock Number | Shaft Dia. & Length | Rotation | Capacitor   | "A" Dim | Cross Reference | Notes |
|-------------|------|--------|-------|------|------------|--------------|---------------------|----------|-------------|---------|-----------------|-------|
| 25          | 1500 | 1      | 115   | 1.1  | 3-7/8"     | 297          | 5/16" x 7"          | CCWLE    | Shaded Pole | 3.17    | 31-0154         | 69    |
| 35          | 1500 | 1      | 230   | .70  | 3-7/8"     | 256          | 1/4"-20 THD.        | CWLE     | Shaded Pole | 3.39    | 30-9316         |       |
| 50          | 1500 | 1      | 115   | 1.7  | 3-7/8"     | 291          | 5/16" x 3"          | CWLE     | Shaded Pole | 3.80    | 13435-0000      |       |
| 50          | 1500 | 1      | 230   | .85  | 3-7/8"     | 260          | 3/8" x 1-1/2"       | CWLE     | Shaded Pole | 3.78    | 319352-000      |       |

## Kelvinator

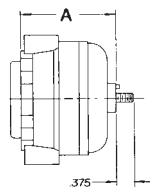


277

| Watt Output | RPM  | Speeds | Volts | Amps | Motor Dia. | Stock Number | Shaft Dia. & Length | Rotation | Capacitor   | "A" Dim | Cross Reference | Notes |
|-------------|------|--------|-------|------|------------|--------------|---------------------|----------|-------------|---------|-----------------|-------|
| 15          | 1500 | 1      | 115   | .60  | 3-7/8"     | 277          | 5/16" x 7"          | CCWLE    | Shaded Pole | 3.32    | 5.024-0366      |       |

### Notes:

69. Pin hole in shaft  
See Parts & Accessories starting on page 231



# Special Unit Bearing Replacement Motors

## Larkin Coil



| Watt Output | RPM  | Speeds | Volts | Amps | Motor Dia. | Stock Number | Shaft Dia. & Length | Rotation | Capacitor   | "A" Dim | Cross Reference | Notes |
|-------------|------|--------|-------|------|------------|--------------|---------------------|----------|-------------|---------|-----------------|-------|
| 15          | 1500 | 1      | 115   | .60  | 3-7/8"     | 277          | 5/16 x 7            | CCWLE    | Shaded Pole | 3.32    | 24-0366         |       |

## Manitowoc



250, 254



260

| Watt Output | RPM  | Speeds | Volts | Amps | Motor Dia. | Stock Number | Shaft Dia. & Length | Rotation | Capacitor   | "A" Dim | Cross Reference | Notes     |
|-------------|------|--------|-------|------|------------|--------------|---------------------|----------|-------------|---------|-----------------|-----------|
| 25          | 1500 | 1      | 115   | 1.1  | 3-7/8"     | 250          | 1/4" x 20 THD       | CWLE     | Shaded Pole | 3.39    | 002412283       |           |
| 35          | 1500 | 1      | 115   | 1.4  | 3-7/8"     | 254          | 1/4" x 20 THD       | CWLE     | Shaded Pole | 3.39    | 002401591       | 002412373 |
| 50          | 1500 | 1      | 230   | .85  | 3-7/8"     | 260          | 3/8" x 1-1/2        | CWLE     | Shaded Pole | 3.78    | 002412353       |           |

## Scotsman



250



258, 260

| Watt Output | RPM  | Speeds | Volts | Amps | Motor Dia. | Stock Number | Shaft Dia. & Length | Rotation | Capacitor   | "A" Dim | Cross Reference | Notes |
|-------------|------|--------|-------|------|------------|--------------|---------------------|----------|-------------|---------|-----------------|-------|
| 25          | 1500 | 1      | 115   | 1.1  | 3-7/8"     | 250          | 1/4" x 20 THD       | CWLE     | Shaded Pole | 3.39    | 18-7200-01      |       |
| 50          | 1500 | 1      | 115   | 1.7  | 3-7/8"     | 258          | 3/8" x 1-1/2        | CWLE     | Shaded Pole | 3.78    | 18-5105-11      |       |
| 50          | 1500 | 1      | 230   | .85  | 3-7/8"     | 260          | 3/8" x 1-1/2        | CWLE     | Shaded Pole | 3.78    | 18-5105-02      |       |

## Tecumseh



276

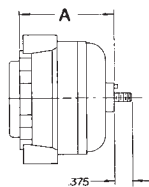


254, 256

| Watt Output | RPM  | Speeds | Volts | Amps | Motor Dia. | Stock Number | Shaft Dia. & Length | Rotation | Capacitor   | "A" Dim | Cross Reference | Notes                     |
|-------------|------|--------|-------|------|------------|--------------|---------------------|----------|-------------|---------|-----------------|---------------------------|
| 35          | 1500 | 1      | 115   | 1.4  | 3-7/8"     | 254          | 1/4" x 20 THD       | CWLE     | Shaded Pole | 3.39    | 810M035A29      | TFM-351<br>ESPL35EM111-C1 |
| 35          | 1500 | 1      | 230   | .70  | 3-7/8"     | 256          | 1/4" x 20 THD       | CWLE     | Shaded Pole | 3.39    | 810M035A28      | TFM-352<br>ESPL35EM211-C1 |
| 50          | 1500 | 1      | 230   | .85  | 3-7/8"     | 276          | 5/16" x 2-1/2       | CCWLE    | Shaded Pole | 3.75    | 810M050A62      |                           |

### Notes:

See Parts & Accessories starting on page 231
















# General Purpose Centrifugal Blowers

|  |  |  |   |
|--|--|--|---|
| <p><b>55 CFM STOCK NO. 12</b></p> <ul style="list-style-type: none"> <li>• 1/200-115-60/50-1-1550 • AMPS 0.25</li> <li>• Sleeve Bearing</li> </ul>    | <p><b>60 CFM STOCK NO. 9443</b></p> <ul style="list-style-type: none"> <li>• 1/100-208-240-60/50-1-3000</li> <li>• AMPS .3/3 • Sleeve Bearing</li> <li>• Replaces: Fasco 50747-D230, WWG 2C914</li> </ul>           | <p><b>60 CFM STOCK NO. 9461</b></p> <ul style="list-style-type: none"> <li>• 1/100-115-60-1-3000 • AMPS 0.5</li> <li>• Sleeve Bearing</li> <li>• Replaces: Fasco 50747-D500</li> </ul>   | <p><b>60 CFM STOCK NO. 9470</b></p> <ul style="list-style-type: none"> <li>• 1/100-115-60/50-1-3200 • AMPS 0.6/0.8</li> <li>• Sleeve Bearing • Includes Damper</li> <li>• Replaces: W.W.G. 4C440, Fasco 50747-D401</li> </ul>  |
| <p><b>65 CFM STOCK NO. 9462</b></p> <ul style="list-style-type: none"> <li>• 1/70-115-60-1-3200 • AMPS 0.8</li> <li>• Sleeve Bearing</li> <li>• Replaces Fasco 50748-D500, W.W.G. 4C443</li> </ul>          | <p><b>70 CFM STOCK NO. 9460</b></p> <ul style="list-style-type: none"> <li>• 1/70-120-60-1-3200 • AMPS 0.7</li> <li>• Sleeve Bearing • Molded Cord &amp; Plug</li> <li>• Replaces Fasco A071, 7021-7371</li> </ul>  | <p><b>85-55 CFM STOCK NO. 414</b></p> <ul style="list-style-type: none"> <li>• 1/70-115-60-1-2800/1800</li> <li>• AMPS 0.65/0.45 • Sleeve Bearing</li> <li>• 2 Speed</li> </ul>    | <p><b>90 CFM STOCK NO. 13</b></p> <ul style="list-style-type: none"> <li>• 1/40-115-60-1-3000 • AMPS 1.0</li> <li>• Sleeve Bearing</li> </ul>    |
| <p><b>90 CFM STOCK NO. 383</b></p> <ul style="list-style-type: none"> <li>• 1/40-115-60-1-3000 • AMPS 1.0</li> <li>• Sleeve Bearing</li> </ul>   | <p><b>90 CFM STOCK NO. 408</b></p> <ul style="list-style-type: none"> <li>• 1/40-115/208-230-60/50-1-3000</li> <li>• AMPS 0.86/0.43 • Ball Bearing</li> <li>• Replaces: York, Fasco B23618</li> </ul>             | <p><b>135 CFM STOCK NO. 9468</b></p> <ul style="list-style-type: none"> <li>• 1/25-115-60/50-1-2600 • AMPS 1.3</li> <li>• Sleeve Bearing</li> <li>• Replaces: Fasco B24220</li> </ul>    | <p><b>140 CFM STOCK NO. 9492</b></p> <ul style="list-style-type: none"> <li>• 1/50-115-60/50-1-3000 • AMPS 1.0</li> <li>• Sleeve Bearing</li> <li>• Replaces: WWG 4C442, Fasco 50752-D500</li> </ul>                          |
| <p><b>140 CFM STOCK NO. 9493</b></p> <ul style="list-style-type: none"> <li>• 1/50-208-240-60/50-1-3000</li> <li>• AMPS 0.5 • Sleeve Bearing</li> <li>• Replaces: WWG 2C915, Fasco 50752-D230</li> </ul>  | <p><b>148 CFM STOCK NO. 9413</b></p> <ul style="list-style-type: none"> <li>• 1/20-115-60/50-1-3160/2630</li> <li>• AMPS 1.5/1.8 • Sleeve Bearing</li> <li>• Replaces: Fasco 7021-3469, WWG 4C446</li> </ul>      | <p><b>150 CFM STOCK NO. 9483</b></p> <ul style="list-style-type: none"> <li>• 1/30-115-60-1-3000 • AMPS 1.1</li> <li>• Sleeve Bearing</li> </ul>   | <p><b>160 CFM STOCK NO. 458</b></p> <ul style="list-style-type: none"> <li>• 1/45-115-60/50-1-1595/1355</li> <li>• AMPS 1.2/1.4 • Sleeve Bearing</li> <li>• Replaces: WWG 1C982, Fasco 50755-D500</li> </ul>                 |
| <p><b>180 CFM STOCK NO. 9471</b></p> <ul style="list-style-type: none"> <li>• 1/22-115-60-1-1500 • AMPS 2.0/1.3/1</li> <li>• Three-Speed • Replaces: Fasco B47120, W.W.G. 4C754</li> </ul>                | <p><b>250 CFM STOCK NO. 9437</b></p> <ul style="list-style-type: none"> <li>• 1/20-120-60-1-3000 • AMPS 1.8</li> <li>• Double Blower • Single Speed</li> <li>• Plastic Housing</li> </ul>                         | <p><b>265 CFM STOCK NO. 459A</b></p> <ul style="list-style-type: none"> <li>• 1/25-115-60/50-1-1630/1400</li> <li>• AMPS 1.9/2.1 • For Motor Only Use Stock Motor No. 562 • Sleeve Bearing</li> <li>• Replaces: Fasco B45227, W.W.G. 4C447</li> </ul>  | <p><b>265 CFM STOCK NO. 9411</b></p> <ul style="list-style-type: none"> <li>• 1/25-230-60/50-1-1650/1375</li> <li>• AMPS 0.9/1.1 • Sleeve Bearing</li> <li>• Replaces: W.W.G. 4C869, Fasco B45227-2</li> </ul>               |

**Note:**

For mounting dimensions see pages 23-24, for CFM data see pages 25-26.

# General Purpose Centrifugal Blowers

|   |   |   |  |
|---|---|---|--|
| <p><b>320 CFM STOCK NO. 9486</b></p> <ul style="list-style-type: none"> <li>• 1/25 • 115-60-1-1500 • AMPS 1.3</li> <li>• Sleeve Bearing • Includes Mounting Flanges • Replaces: Fasco 50756-D500</li> </ul>      | <p><b>326 CFM STOCK NO. 9467</b></p> <ul style="list-style-type: none"> <li>• 1/12-115-60/50-1-1600 • AMPS 1.1</li> <li>• PSC – Capacitor Supplied • Ball Bearing</li> <li>• Includes Mounting Plate</li> <li>• Replaces: W.W.G. 4C943</li> </ul>  | <p><b>350 CFM STOCK NO. 9466</b></p> <ul style="list-style-type: none"> <li>• 1/10-115-60/50-1-1570/1320</li> <li>• AMPS 3.0-2.8 • Sleeve Bearing</li> <li>• Replaces: W.W.G. 4C444</li> </ul>  | <p><b>400 CFM STOCK NO. 9448</b></p> <ul style="list-style-type: none"> <li>• 1/10-120-60-1-3000 • AMPS 3.8</li> <li>• Sleeve Bearing • Plastic Double Blower</li> </ul>                                  |
| <p><b>455 CFM STOCK NO. 9478</b></p> <ul style="list-style-type: none"> <li>• 1/10-115-60/50-1-1550/1200</li> <li>• AMPS 1.5 • PSC • Two-Speed</li> <li>• Capacitor Included • Replaces: Fasco A455</li> </ul>   | <p><b>460 CFM STOCK NO. 460</b></p> <ul style="list-style-type: none"> <li>• 1/12-115-60/50-1-1550/1345</li> <li>• AMPS 2.7/3.3 • Sleeve Bearing</li> <li>• Replaces: Fasco B45267, W.W.G. 4C448</li> </ul>                                        | <p><b>460 CFM STOCK NO. 9412</b></p> <ul style="list-style-type: none"> <li>• 1/15-230-60/50-1-1550/1300</li> <li>• AMPS 1.6/1.18</li> <li>• Sleeve Bearing • Replaces: W.W.G. 5C507</li> </ul>  | <p><b>495 CFM STOCK NO. 9465</b></p> <ul style="list-style-type: none"> <li>• 1/10-115-60/50-1-1570/1300</li> <li>• AMPS 3.4/3.8</li> <li>• Sleeve Bearing</li> <li>• Replaces: W.W.G. 4C445A</li> </ul>  |
| <p><b>500 CFM STOCK NO. 9491</b></p> <ul style="list-style-type: none"> <li>• 1/10-115-60/50-1-1550/1200</li> <li>• AMPS 3.5/2.2 • Sleeve Bearing</li> <li>• Two-Speed • Replaces: Fasco 50769-D500</li> </ul>  | <p><b>760/545 CFM STOCK NO. 9459</b></p> <ul style="list-style-type: none"> <li>• 1/5-115-60/50-1-1450/1200 • AMPS 3.2</li> <li>• PSC • Two-Speed • Capacitor Included</li> <li>• Replaces: W.W.G. 5C508</li> </ul>                               | <p><b>1000 CFM STOCK NO. 9477</b></p> <ul style="list-style-type: none"> <li>• 1/4-115/230-60-1-1100/950</li> <li>• AMPS 4.0/2.0 • Two-Speed</li> <li>• PSC • Replaces: Fasco A1000</li> </ul>  |  |

**Note:**  
For mounting dimensions see pages 23-24, for CFM data see pages 25-26.

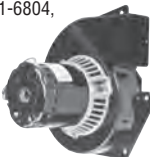
# OEM Direct Replacement Centrifugal Blowers

|  |  |  |  |
|--|--|--|--|
| <p><b>Armstrong Air</b><br/><b>85 CFM STOCK NO. 9495</b></p> <ul style="list-style-type: none"> <li>• 1/30-115-60-1-3000 • AMPS 1.2</li> <li>• Sleeve Bearing • Replaces: JA1N111, Armstrong Air, 41445-001</li> </ul>                                    | <p><b>Armstrong Air</b><br/><b>105 CFM STOCK NO. 9430</b></p> <ul style="list-style-type: none"> <li>• 1/30-208-230-60-1-3000 • AMPS 0.6</li> <li>• Ball Bearing • Replaces: UE JB1N075NS, Armstrong 42250-001</li> </ul>   | <p><b>Bradford White</b><br/><b>150 CFM STOCK NO. 9458</b></p> <ul style="list-style-type: none"> <li>• 1/25-115-60-1-3300 • AMPS 1.8</li> <li>• Sleeve Bearing • Replaces: Fasco A149, 7021-7761</li> </ul>   | <p><b>Consolidated Industries</b><br/><b>90 CFM STOCK NO. 9619</b></p> <ul style="list-style-type: none"> <li>• 1/30-115-60-3200 • AMPS 1.35</li> <li>• Sleeve Bearing • Replaces: JAIN107, Consolidated Industries 490950, 4246100</li> </ul>    |
| <p><b>Consolidated Industries</b><br/><b>90 CFM STOCK NO. 9620</b></p> <ul style="list-style-type: none"> <li>• 1/20-115-60-3200 • AMPS 1.73</li> <li>• Sleeve Bearing • Replaces: JAIN114, Consolidated Industries 422030, 4246101</li> </ul>            | <p><b>Consolidated Industries</b><br/><b>90 CFM STOCK NO. 9621</b></p> <ul style="list-style-type: none"> <li>• 1/30-115-60-3200 • AMPS 1.35</li> <li>• Sleeve Bearing • Replaces: JAIN117, Consolidated Industries 430580, 4311200</li> </ul>    | <p><b>Consolidated Industries</b><br/><b>90 CFM STOCK NO. 9622</b></p> <ul style="list-style-type: none"> <li>• 1/20-115-60-3200 • AMPS 1.73</li> <li>• Sleeve Bearing • Replaces: JAIN118, Consolidated Industries 430590, 4311201</li> </ul>                                     | <p><b>Consolidated Industries</b><br/><b>95 CFM STOCK NO. 959</b></p> <ul style="list-style-type: none"> <li>• 1/30-115-60-1-3300 • AMPS 0.9</li> <li>• Sleeve Bearing • Special mounting holes</li> <li>• Lead and plug assembly included</li> <li>• Replaces: UE JA1P082, Consolidated 401570</li> </ul>  |
| <p><b>Consolidated Industries</b><br/><b>105 CFM STOCK NO. 960</b></p> <ul style="list-style-type: none"> <li>• 1/30-115-60-1-3300 • AMPS 1.41</li> <li>• Sleeve Bearing • Replaces: UE JA1P090, Consolidated 401450</li> </ul>                         | <p><b>Evcon</b><br/><b>100 CFM STOCK NO. 961</b></p> <ul style="list-style-type: none"> <li>• 1/50-115-60-1-3300 • AMPS 0.9</li> <li>• Sleeve Bearing • Direct OEM Replacement</li> <li>• Lead and plug assembly included</li> <li>• Replaces: UE JA1P092, Evcon 2702-3201A</li> </ul>  | <p><b>Goodman</b><br/><b>100 CFM STOCK NO. 577</b></p> <ul style="list-style-type: none"> <li>• 1/50-115-60-1-3000 • AMPS 1.0</li> <li>• Sleeve Bearing • Replaces: Rheem 21504-03-04, 21496-03-01, Goodman B185900 Fasco A079, 7021-6804, UE JA1M106, JA1M137</li> </ul>        | <p><b>Heil Quaker</b><br/><b>64 CFM STOCK NO. 997</b></p> <ul style="list-style-type: none"> <li>• 1/100-115-60-1-3150 • AMPS .6</li> <li>• Sleeve Bearing • Replaces: Fasco A064, Heil Quaker 610672, Johnstone X89-455</li> </ul>    |
| <p><b>Heil Quaker</b><br/><b>65 CFM STOCK NO. 776</b></p> <ul style="list-style-type: none"> <li>• 1/50-230-60-1-3200 • AMPS .4</li> <li>• Sleeve Bearing • Replaces: Fasco A151, Heil Quaker/Intercity Products No. HQ1050144UN, Whirlpool</li> </ul>  | <p><b>Heil Quaker</b><br/><b>75 CFM STOCK NO. 9446</b></p> <ul style="list-style-type: none"> <li>• 1/50-208-230-60-1-3000 • AMPS .61</li> <li>• Sleeve Bearing • Replaces: Fasco A148, 7021-7617</li> </ul>    | <p><b>Heil Quaker</b><br/><b>90 CFM STOCK NO. 582</b></p> <ul style="list-style-type: none"> <li>• 1/40-115/230-60-1-3000</li> <li>• AMPS 1.0/0.5 • Ball Bearing • Replaces: Arkla, Tappan SJC, Heil-Quaker No. HQ601073UN, Janitrol 11429-32, Fasco A073</li> </ul>             | <p><b>Intercity Products</b><br/><b>65 CFM STOCK NO. 776</b></p> <ul style="list-style-type: none"> <li>• 1/50-230-60-1-3200 • AMPS .4</li> <li>• Sleeve Bearing • Replaces: Fasco A151, Heil Quaker/Intercity Products No. HQ1050144UN, Whirlpool</li> </ul>   |
| <p><b>Intercity Products</b><br/><b>75 CFM STOCK NO. 9446</b></p> <ul style="list-style-type: none"> <li>• 1/50-208-230-60-1-3000 • AMPS .61</li> <li>• Sleeve Bearing • Replaces: Fasco A148, 7021-7617</li> </ul>                                     | <p><b>Janitrol</b><br/><b>90 CFM STOCK NO. 582</b></p> <ul style="list-style-type: none"> <li>• 1/40-115/230-60-1-3000</li> <li>• AMPS 1.0/0.5 • Ball Bearing • Replaces: Arkla, Tappan SJC, Heil-Quaker No. HQ601073UN, Janitrol 11429-32, Fasco A073</li> </ul>                       | <p><b>Johnson Furnace</b><br/><b>90 CFM STOCK NO. 464</b></p> <ul style="list-style-type: none"> <li>• 1/60-208-230-60-1-3000 • AMPS 0.55</li> <li>• Ball Bearing • Replaces: Johnson Furnace 8973C, 80280 (Requires mounting flange No. 1631A), York No. 026-22239B</li> </ul>  | <p><b>Lennox</b><br/><b>130 CFM STOCK NO. 9496</b></p> <ul style="list-style-type: none"> <li>• 1/10-208-230-60-1-3000 • AMPS 0.55</li> <li>• Ball Bearing • PSC Motor • Replaces: JF1E021, Lennox 28G6601</li> </ul>   |

**Note:**

For mounting dimensions see pages 23-24, for CFM data see pages 25-26.

# OEM Direct Replacement Centrifugal Blowers

|  |  |  |   |
|--|--|--|---|
| <p><b>Nordyne</b><br/><b>60 CFM</b>      <b>STOCK NO. 9444</b></p> <ul style="list-style-type: none"> <li>• 1/100-115-60-1-3000 • AMPS 0.6</li> <li>• Sleeve Bearing • Replaces: Fasco 50747-D600, Nordyne</li> </ul>   | <p><b>Nordyne</b><br/><b>85 CFM</b>      <b>STOCK NO. 9454</b></p> <ul style="list-style-type: none"> <li>• 1/50-115-60-1-3000 • AMPS 1.1</li> <li>• Sleeve Bearing • Replaces: Fasco A131, 7021-9132, Nordyne</li> </ul>   | <p><b>Nordyne</b><br/><b>90 CFM</b>      <b>STOCK NO. 512A</b></p> <ul style="list-style-type: none"> <li>• 1/50-115-60/50-1-3000 • AMPS 1.0/0.77 • Ball Bearing • Replaces: Nordyne/Miller No. 303875000, UE JA1M151</li> </ul>   | <p><b>Nordyne</b><br/><b>90 CFM</b>      <b>STOCK NO. 965</b></p> <ul style="list-style-type: none"> <li>• 1/20-115-60-1-3400 • AMPS 0.7</li> <li>• Sleeve Bearing • Direct OEM Replacement</li> <li>• Includes Lead and Plug Assembly</li> <li>• Capacitor Included</li> <li>• Replaces: UE JE1C003, Nordyne 6216490, 6214080</li> </ul>  |
| <p><b>Nordyne</b><br/><b>120 CFM</b>      <b>STOCK NO. 9445</b></p> <ul style="list-style-type: none"> <li>• 1/55-120-60-1-3100 • AMPS 0.8</li> <li>• Sleeve Bearing • Replaces: Fasco 50746-D500, Nordyne</li> </ul>   | <p><b>Rheem</b><br/><b>90 CFM</b>      <b>STOCK NO. 9438</b></p> <ul style="list-style-type: none"> <li>• 1/50-115-60-1-2975 • AMPS 1.1</li> <li>• Sleeve Bearing • Replaces: Fasco A090, 7021-5239, UE JA1M102, Rheem 7021496-01</li> </ul>                          | <p><b>Rheem</b><br/><b>100 CFM</b>      <b>STOCK NO. 577</b></p> <ul style="list-style-type: none"> <li>• 1/50-115-60-1-3000 • AMPS 1.0</li> <li>• Sleeve Bearing • Replaces: Rheem 21504-03-04, 21496-03-01, Goodman B185900 Fasco A079, 7021-6804, UE JA1M106, JA1M137</li> </ul>  | <p><b>Trane</b><br/><b>69 CFM</b>      <b>STOCK NO. 774</b></p> <ul style="list-style-type: none"> <li>• 1/50-208-240-60-1-3000 • AMPS 0.42</li> <li>• Sleeve Bearing • Replaces: UE JA1C161, UE JA1C158, Packard 82252, Fasco A069, Trane X3804-0252-02</li> </ul>    |
| <p><b>Trane</b><br/><b>70 CFM</b>      <b>STOCK NO. 989</b></p> <ul style="list-style-type: none"> <li>• 1/80-115-60-1-3000 • AMPS 0.50</li> <li>• Sleeve Bearing • O.E.M. Replacement</li> <li>• Replaces: Fasco B75, Trane, Johnstone X89-308</li> </ul>    | <p><b>Trane</b><br/><b>75 CFM</b>      <b>STOCK NO. 775</b></p> <ul style="list-style-type: none"> <li>• 1/50-230-60-1-3000 • AMPS .50</li> <li>• Ball Bearing • Replaces: UE JB1C061, Packard 82005, Fasco A075, Trane X38050005</li> </ul>                        | <p><b>Trane</b><br/><b>85 CFM</b>      <b>STOCK NO. 9457</b></p> <ul style="list-style-type: none"> <li>• 1/20-115-60-1-3350 • AMPS 0.7</li> <li>• Plastic Housing • Sleeve Bearing</li> <li>• Replaces: Fasco A130, 7062-3956, Trane</li> </ul>                                    | <p><b>Trane</b><br/><b>98 CFM</b>      <b>STOCK NO. 9447</b></p> <ul style="list-style-type: none"> <li>• 1/30-208-230-60-1-3000 • AMPS 0.6</li> <li>• Ball Bearing • Replaces: Fasco A150, 7021-7833</li> </ul>    |
| <p><b>Trane</b><br/><b>100 CFM</b>      <b>STOCK NO. 577</b></p> <ul style="list-style-type: none"> <li>• 1/50-115-60-1-3000 • AMPS 1.0</li> <li>• Sleeve Bearing • Replaces: Rheem 21504-03-04, 21496-03-01, Goodman B185900 Fasco A079, 7021-6804, UE JA1M106, JA1M137</li> <li>• Trane B1W24, WG94X167</li> </ul>  | <p><b>Trane</b><br/><b>100 CFM</b>      <b>STOCK NO. 673</b></p> <ul style="list-style-type: none"> <li>• 1/25-115-60-1-3000 • AMPS 1.0</li> <li>• Sleeve Bearing • OEM Replacement For Rheem 51-21504-01</li> <li>• Trane</li> </ul>                               | <p><b>Williamson Furnace</b><br/><b>80 CFM</b>      <b>STOCK NO. 999</b></p> <ul style="list-style-type: none"> <li>• 1/15-115-60-1-3000 • AMPS 1.1</li> <li>• Sleeve Bearing • Replaces: Fasco A080, 7021-5510, Williamson 02-568, Johnstone S88-841</li> </ul>                   | <p><b>Williamson Furnace</b><br/><b>80 CFM</b>      <b>STOCK NO. 998</b></p> <ul style="list-style-type: none"> <li>• 1/15-115-60-1-3000 • AMPS 1.8</li> <li>• Sleeve Bearing • Replaces: Fasco A118, 7021-6999, 7021-7042, Williamson, Johnstone X89-520</li> </ul>   |
| <p><b>York</b><br/><b>65 CFM</b>      <b>STOCK NO. 771</b></p> <ul style="list-style-type: none"> <li>• 1/70-208-230-60-1-3000 • AMPS .49</li> <li>• Ball Bearing • Replaces: UE JB1C071, UE JB1C072, Packard 82239, Fasco A063, York 026-22239700</li> </ul>   | <p><b>York</b><br/><b>83 CFM</b>      <b>STOCK NO. 770</b></p> <ul style="list-style-type: none"> <li>• 1/70-208-230-60-1-3000 • AMPS .49</li> <li>• Ball Bearing • Replaces: UE JB1C029, Fasco A083, 7021-1373, York 026-20224700, York 026-16323-0000</li> </ul>  | <p><b>York</b><br/><b>90 CFM</b>      <b>STOCK NO. 408</b></p> <ul style="list-style-type: none"> <li>• 1/40-115/208-230-60/50-1-3000 • AMPS 0.86/0.43 • Ball Bearing</li> <li>• Replaces: York, Fasco B23618</li> </ul>   | <p><b>York</b><br/><b>90 CFM</b>      <b>STOCK NO. 9455</b></p> <ul style="list-style-type: none"> <li>• 1/30-208-230-60-1-3000 • AMPS 0.6</li> <li>• Sleeve Bearing • Lead and plug assembly included • Replaces: Fasco A144, 7021-6770, York</li> </ul>    |

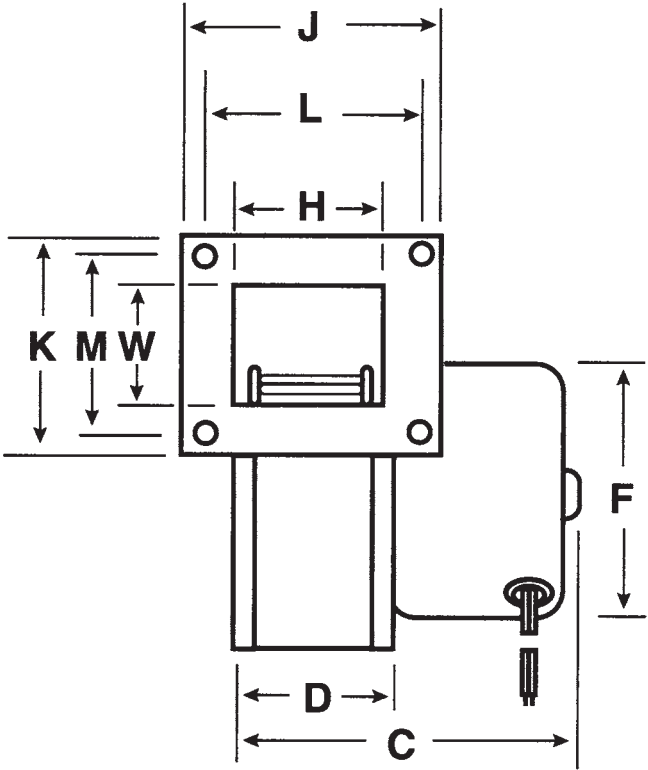
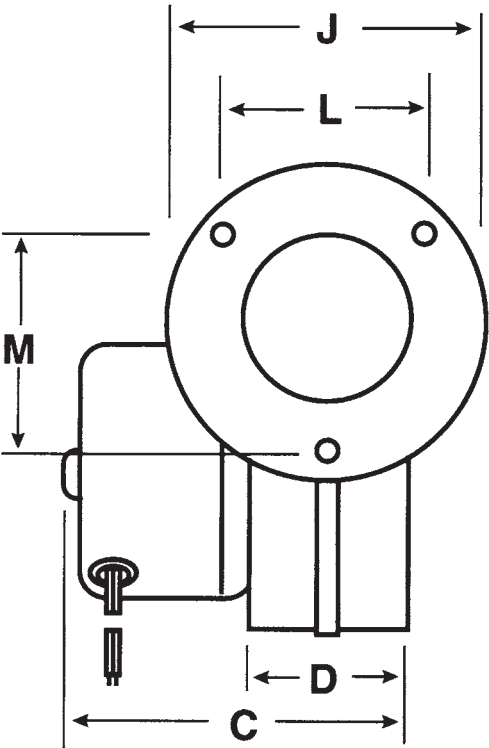
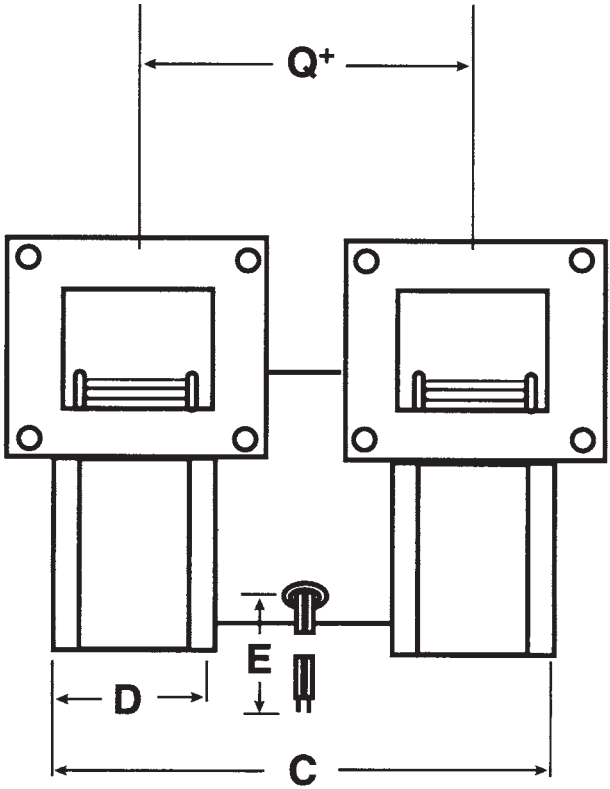
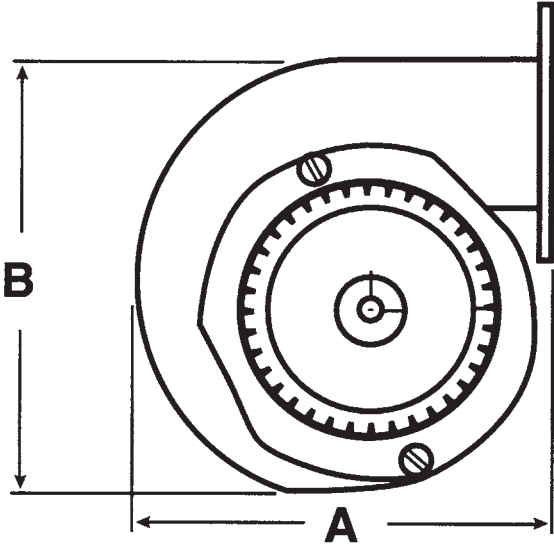
**Note:**  
For mounting dimensions see pages 23-24, for CFM data see pages 25-26.

# Blower Reference Dimensions

| Stock No. | A     | B     | C     | D    | E     | F    | J     | K    | L     | M    | H         | W     |
|-----------|-------|-------|-------|------|-------|------|-------|------|-------|------|-----------|-------|
| 12        | 6.27  | 5.72  | 4.50  | 2.33 | 12.00 | 3.38 |       |      |       |      | 2.21 Dia  |       |
| 13        | 6.27  | 5.72  | 5.34  | 2.33 | 12.00 | 3.38 |       |      |       |      | 2.21 Dia  |       |
| 383       | 6.39  | 5.72  | 5.36  | 2.33 | 12.00 | 3.38 | 3.00  | 3.00 | 2.12  | 2.12 | 2.21 Dia. |       |
| 408       | 6.27  | 5.72  | 8.53  | 2.33 | 12.00 | 3.38 |       |      |       |      | 2.21 Dia  |       |
| 414       | 6.27  | 5.72  | 6.14  | 2.33 | 74.00 | 3.38 |       |      |       |      | 2.21 Dia  |       |
| 458       | 7.84  | 8.00  | 6.61  | 3.38 | 12.00 | 3.38 | 4.75  | 4.80 | 4.12  | 1.47 |           |       |
| 459A      | 8.51  | 9.27  | 7.48  | 4.22 | 12.00 | 3.38 | 5.50  | 5.00 | 4.87  | 4.37 |           |       |
| 460       | 8.56  | 9.31  | 9.49  | 8.00 | 12.00 | 3.38 | 9.43  | 5.00 | 8.81  | 4.38 |           |       |
| 464       | 6.27  | 5.72  | 6.75  | 2.33 | 24.00 | 3.38 |       |      |       |      | 2.21 Dia  |       |
| 512A      | 6.27  | 5.72  | 7.68  | 2.33 | 6.00  | 3.38 |       |      |       |      | 2.21 Dia  |       |
| 577       | 7.10  | 7.60  | 5.89  | 1.75 | 23.00 | 3.38 |       |      |       |      | 1.75      | 2.71  |
| 582       | 6.27  | 5.72  | 5.04  | 2.33 | 36.00 | 3.38 |       |      |       |      | 2.21 Dia  |       |
| 673       | 7.09  | 7.60  | 5.89  | 1.75 | 23.00 | 3.38 |       |      |       |      | 1.75      | 2.71  |
| 770       | 6.39  | 5.72  | 9.17  | 2.33 | 30.00 | 3.38 | 4.00  |      | 2.30  | 2.77 |           |       |
| 771       | 6.39  | 5.72  | 6.68  | 2.33 | 30.00 | 3.38 | 4.00  |      | 2.30  | 2.77 |           |       |
| 774       | 6.39  | 5.72  | 5.74  | 2.33 | 80.00 | 3.38 | 3.00  | 3.00 | 1.94  | 1.94 |           |       |
| 775       | 6.39  | 5.72  | 7.15  | 2.33 | 60.00 | 3.38 | 3.00  | 3.00 | 1.94  | 1.94 |           |       |
| 776       | 6.39  | 5.72  | 5.49  | 2.33 | 25.00 | 3.38 | 3.00  | 3.00 |       |      | 2.00 Dia. |       |
| 959       | 7.10  | 7.60  | 6.20  | 1.75 | 12.00 | 3.38 | 2.47  | 3.75 | 1.13  | 3.25 | 1.75      | 2.72  |
| 960       | 7.10  | 7.60  | 6.35  | 1.75 | 12.00 | 3.38 | 2.47  | 3.75 | 1.13  | 3.25 |           |       |
| 961       | 7.10  | 7.60  | 6.15  | 1.75 | 5.00  | 3.38 |       |      |       |      | 1.75      | 2.71  |
| 965       | 9.27  | 8.77  | 6.16  | 2.62 | 12.00 | 3.38 |       |      |       |      | 2.17 Dia. |       |
| 989       | 5.25  | 5.54  | 5.92  | 2.75 | 12.00 | 3.38 | 4.00  | 3.50 | 3.38  | 2.88 |           |       |
| 997       | 7.10  | 7.60  | 5.71  | 1.75 | 29.00 | 3.38 |       |      |       |      | 1.75      | 2.71  |
| 998       | 8.59  | 9.31  | 5.93  | 1.50 | 12.00 | 3.38 |       |      |       |      | 1.50      | 3.62  |
| 999       | 7.09  | 7.60  | 5.71  | 1.75 | 11.00 | 3.38 |       |      |       |      | 1.75      | 2.71  |
| 9411      | 8.56  | 9.31  | 7.38  | 4.22 | 12.00 | 3.38 | 5.50  | 5.00 | 4.87  | 4.37 |           |       |
| 9412      | 8.51  | 9.27  | 9.49  | 8.00 | 12.00 | 3.38 | 9.43  | 5.00 | 8.81  | 4.38 |           |       |
| 9413      | 5.25  | 5.54  | 6.61  | 3.31 | 8.50  | 3.38 | 4.60  | 3.50 | 3.97  | 2.88 |           |       |
| 9430      | 7.13  | 7.49  | 6.09  | 1.75 | 20.00 | 3.38 |       |      |       |      | 1.75      | 2.71  |
| 9437      | 4.47  | 5.00  | 13.88 | 4.10 | 30.00 | 3.38 | 13.88 | 4.00 | 13.25 | 3.50 | Q=8.25    |       |
| 9438      | 7.10  | 7.60  | 5.71  | 1.75 | 30.00 | 3.38 |       |      |       |      | 1.75      | 2.71  |
| 9443      | 6.32  | 5.72  | 5.10  | 2.33 | 7.00  | 3.38 | 4.00  |      | 2.30  | 2.77 |           |       |
| 9444      | 6.15  | 5.72  | 5.09  | 2.33 | 19.00 | 3.38 |       |      |       |      |           |       |
| 9445      | 6.32  | 5.72  | 8.48  | 2.33 | 19.00 | 3.38 | 4.00  |      | 2.38  | 2.81 | Q=6.13    |       |
| 9446      | 7.13  | 7.61  | 5.71  | 1.75 | 6.00  | 3.38 |       |      |       |      | 1.75      | 2.71  |
| 9447      | 7.10  | 7.61  | 5.54  | 1.75 | 25.50 | 3.38 |       |      |       |      | 1.75      | 2.73  |
| 9448      | 5.51  | 6.54  | 13.78 | 4.10 | 24.00 | 3.38 | 13.78 | 5.34 | 6.59  | 4.37 | Q=8.26    |       |
| 9454      | 7.10  | 7.60  | 5.90  | 1.84 | 12.00 | 3.38 |       |      |       |      | 1.75      | 2.598 |
| 9455      | 7.10  | 7.60  | 7.75  | 1.75 | 34.00 | 3.38 |       |      |       |      | 1.75      | 2.71  |
| 9457      | 9.27  | 8.77  | 6.16  | 2.62 | 14.00 | 3.38 |       |      |       |      | 2.17 Dia. |       |
| 9458      | 7.10  | 7.60  | 6.87  | 2.42 | 12.00 | 3.38 |       |      |       |      | 2.42      | 2.71  |
| 9459      | 10.18 | 11.68 |       | 8.21 | 13.00 | 3.38 | 9.33  | 5.63 | 8.80  | 5.00 |           |       |
| 9460      | 6.32  | 5.72  | 5.89  | 2.33 | 73.00 | 3.38 | 3.00  | 3.00 | 2.30  | 2.30 |           |       |
| 9461      | 6.32  | 5.72  | 5.10  | 2.33 | 7.00  | 3.38 | 4.00  |      | 2.30  | 2.77 |           |       |
| 9462      | 6.39  | 5.72  | 6.83  | 2.33 | 7.50  | 3.38 | 4.00  |      | 2.31  | 2.81 |           |       |
| 9465      | 10.18 | 11.03 | 9.05  | 5.13 | 13.00 | 4.31 | 6.60  | 5.63 | 6.00  | 5.00 |           |       |
| 9466      | 10.18 | 11.03 | 7.77  | 3.90 | 13.00 | 4.31 | 5.30  | 5.60 | 4.70  | 5.30 |           |       |
| 9467      | 10.18 | 11.66 | 8.75  | 3.90 | 13.00 | 3.38 | 4.42  | 5.63 |       |      | 4.00      | 4.37  |
| 9468      | 7.07  | 7.56  | 6.88  | 3.00 | 7.50  | 3.38 | 4.40  | 4.00 | 3.76  | 3.40 |           |       |
| 9470      | 6.32  | 5.71  | 5.37  | 2.33 | 7.00  | 3.38 | 4.00  |      | 2.30  | 2.77 |           |       |
| 9471      | 10.18 | 10.51 | 4.10  | 2.65 | 13.00 | 3.38 |       |      |       |      | 2.65      | 4.37  |
| 9477      | 13.34 | 15.09 | 11.70 | 7.25 | 7.00  | 5.00 |       |      |       |      | 7.25      | 5.91  |
| 9478      | 10.18 | 11.03 | 10.92 | 5.13 | 13.00 | 3.38 | 6.60  | 5.63 | 6.00  | 5.00 |           |       |
| 9483      | 6.27  | 5.72  | 8.76  | 2.33 | 12.00 | 3.38 |       |      |       |      | Q=6.43    |       |
| 9486      | 7.84  | 8.00  | 10.85 | 3.38 | 20.00 | 3.38 | 4.75  | 4.80 | 4.12  | 1.47 |           |       |
| 9491      | 10.18 | 11.03 | 9.25  | 5.13 | 13.00 | 4.31 | 6.60  | 5.63 | 6.00  | 5.00 |           |       |
| 9492      | 6.41  | 6.81  | 6.12  | 2.60 | 7.50  | 3.38 | 5.13  | 4.00 | 4.11  | 1.50 | 2.54      | 2.5   |
| 9493      | 6.41  | 6.81  | 6.12  | 2.60 | 7.50  | 3.38 | 5.13  | 4.00 | 4.11  | 1.50 | 2.54      | 2.5   |
| 9495      | 7.13  | 7.61  | 5.71  | 1.75 | 35.00 | 3.38 |       |      |       |      | 1.75      | 2.71  |
| 9496      | 7.10  | 7.61  | 8.33  | 1.75 | 29.00 | 3.38 |       |      |       |      | 1.75      | 2.71  |
| 9619      | 9.27  | 8.77  | 5.98  | 2.62 | 20.00 | 3.38 | 2.62  |      |       |      | 2.17 dia. |       |
| 9620      | 9.27  | 8.77  | 5.98  | 2.62 | 19.00 | 3.38 | 2.62  |      |       |      | 2.17 dia. |       |
| 9621      | 9.27  | 8.77  | 5.98  | 2.62 | 20.00 | 3.38 | 2.62  |      |       |      | 2.17 dia. |       |
| 9622      | 9.27  | 8.77  | 5.98  | 2.62 | 20.00 | 3.38 | 2.62  |      |       |      |           |       |



# Blower Reference Diagrams





# CFM Specifications for Blowers

| CFM     | NAMEPLATE STATIC PRESSURE (INCHES OF WATER) |     |     |     |     |     |     |     |     |     | Cutoff | Volts       | Hertz | Speeds | AMPS@<br>Free air | Stock # |
|---------|---|-----|-----|-----|-----|-----|-----|-----|-----|-----|--------|-------------|-------|--------|-------------------|---------|
|         | 0.1   | 0.2 | 0.3 | 0.4 | 0.5 | 0.6 | 0.7 | 0.8 | 0.9 | 1.0 |        |             |       |        |                   |         |
| 55      | 53  | 51  | 49  | 45  | 42  | 38  |     |     |     |     |        | 115         | 60/50 | 1      | 0.3               | 12      |
| 90      | 79  | 76  | 72  | 68  | 64  | 59  | 54  | 48  | 38  | 24  |        | 115         | 60    | 1      | 1.0               | 13      |
| 90      | 80  | 74  | 68  | 65  | 63  | 57  | 52  | 48  | 40  | 19  |        | 115         | 60    | 1      | 1.0               | 383     |
| 90      | 68  | 65  | 62  | 54  | 50  | 46  | 41  | 35  | 23  |     |        | 115/208-230 | 60/50 | 1      | 0.9/0.4           | 408     |
| 85/55   | 63  | 59  | 53  | 49  | 45  | 39  | 26  | 19  |     |     |        | 115         | 60    | 2      | 0.7/0.5           | 414     |
| 160     |   |     |     |     |     |     |     |     |     |     |        | 115         | 60/50 | 1      | 1.2/1.4           | 458     |
| 265     |   |     |     |     |     |     |     |     |     |     |        | 115         | 60/50 | 1      | 2.1/1.9           | 459A    |
| 460     |   |     |     |     |     |     |     |     |     |     |        | 115         | 60/50 | 1      | 3.3/2.7           | 460     |
| 90      | 78  | 75  | 71  | 68  | 65  | 60  | 54  | 46  | 38  | 22  |        | 208-230     | 60    | 1      | 0.6               | 464     |
| 90      | 77  | 73  | 70  | 67  | 63  | 59  | 53  | 47  | 38  | 24  |        | 115         | 60/50 | 1      | 1.0/.8            | 512A    |
| 100     | 83  | 79  | 76  | 72  | 69  | 66  | 63  | 61  | 57  | 53  |        | 115         | 60    | 1      | 1.0               | 577     |
| 90      |   |     |     |     |     |     |     |     |     |     |        | 115/230     | 60    | 1      | 1.0/0.5           | 582     |
| 90      | 90  | 86  | 80  | 77  | 73  | 71  | 67  | 64  | 60  | 56  |        | 115         | 60    | 1      | 1.0               | 673     |
| 83      | 62  | 60  | 56  | 52  | 48  | 43  | 39  | 32  | 20  | 0   |        | 208-230     | 60    | 1      | 0.5               | 770     |
| 65      | 75  | 70  | 66  | 62  | 58  | 55  | 51  | 46  | 39  | 27  |        | 208-230     | 60    | 1      | 0.5               | 771     |
| 69      | 70  | 67  | 63  | 60  | 56  | 52  | 46  | 40  | 32  | 19  |        | 208-240     | 60    | 1      | 0.4               | 774     |
| 75      | 72  | 70  | 67  | 62  | 59  | 54  | 49  | 43  | 32  | 22  |        | 230         | 60    | 1      | 0.5               | 775     |
| 65      | 58  | 54  | 50  | 48  | 43  | 39  | 34  | 27  | 17  | 12  |        | 230         | 60    | 1      | 0.4               | 776     |
| 95      |   |     |     |     |     |     |     |     |     |     |        | 115         | 60    | 1      | 0.9               | 959     |
| 105     |   |     |     |     |     |     |     |     |     |     |        | 115         | 60    | 1      | 1.4               | 960     |
| 100     |   |     |     |     |     |     |     |     |     |     |        | 115         | 60    | 1      | 0.9               | 961     |
| 75      |   |     |     |     |     |     |     |     |     |     |        | 115         | 60    | 1      | 0.9               | 962     |
| 90      |   |     |     |     |     |     |     |     |     |     |        | 115         | 60    | 1      | 0.7               | 965     |
| 105     |   |     |     |     |     |     |     |     |     |     |        | 115         | 60    | 1      | 1.7               | 967     |
| 70      | 61  | 55  | 51  | 43  | 19  |     |     |     |     |     |        | 115         | 60    | 1      | 0.5               | 989     |
| 159     | 152   | 142 | 131 | 109 | 78  |     |     |     |     |     |        | 230         | 60    | 1      | 0.5               | 996     |
| 64      | 57  | 55  | 53  | 53  |     |     |     |     |     |     |        | 115         | 60    | 1      | 0.6               | 997     |
| 118     | 120   | 117 | 114 | 110 | 109 | 105 | 102 | 100 | 97  | 95  |        | 115         | 60    | 1      | 1.8               | 998     |
| 80      | 79  | 77  | 75  | 73  | 72  | 70  | 68  |     |     |     |        | 115         | 60    | 1      | 1.1               | 999     |
| 160     | 139   | 126 | 114 |     |     |     |     |     |     |     |        | 230         | 60/50 | 1      | 0.8/0.7           | 9410    |
| 265     | 223   | 205 | 181 | 175 |     |     |     |     |     |     |        | 230         | 60/50 | 1      | 1.1/0.9           | 9411    |
| 460     | 447   | 411 | 368 | 300 | 281 |     |     |     |     |     |        | 230         | 60/50 | 2      | 1.18/1.6          | 9412    |
| 148     | 14  | 109 | 104 | 97  | 90  | 82  | 69  |     |     |     |        | 115         | 60/50 | 1      | 1.8/1.5           | 9413    |
| 90      |   |     |     |     |     |     |     |     |     |     |        | 115         | 60    | 1      | 1.4               | 9429    |
| 105     | 118   | 113 | 110 | 108 | 104 | 101 | 98  | 96  | 93  | 90  |        | 208-230     | 60    | 1      | 0.6               | 9430    |
| 80      | 79  | 78  | 77  | 75  | 73  | 71  | 68  |     |     |     |        | 115         | 60    | 1      | 1.0               | 9436    |
| 250     |   |     |     |     |     |     |     |     |     |     |        | 120         | 60    | 1      | 1.8               | 9437    |
| 90      | 88  | 85  | 82  | 79  | 76  | 73  | 70  | 69  |     |     |        | 115         | 60    | 1      | 1.1               | 9438    |
| 70      | 72  | 69  | 66  | 63  | 58  |     |     |     |     |     |        | 120         | 60    | 1      | 1.1               | 9441    |
| 60      | 38  | 35  |     |     |     |     |     |     |     |     |        | 208-240     | 60/50 | 1      | 0.3/0.3           | 9443    |
| 60      | 53  | 50  | 49  | 47  | 45  | 43  |     |     |     |     |        | 115         | 60    | 1      | 0.6               | 9444    |
| 120     | 78  | 71  | 64  | 52  |     |     |     |     |     |     |        | 120         | 60    | 1      | 0.8               | 9445    |
| 75      | 93  | 90  | 87  | 84  | 81  | 78  | 75  | 72  |     |     |        | 208-230     | 60    | 1      | 0.6               | 9446    |
| 98      | 85  | 82  | 79  | 76  | 73  | 71  | 68  |     |     |     |        | 208/230     | 60    | 1      | 0.6               | 9447    |
| 400     | 390   | 368 | 356 | 340 | 323 | 305 | 288 | 270 |     |     |        | 120         | 60    | 1      | 3.8               | 9448    |
| 60      | 65  | 64  | 63  | 62  | 61  | 60  | 58  | 55  | 50  |     |        | 115         | 60/50 | 1      | 1.1/0.9           | 9453    |
| 85      | 85  | 83  | 81  | 78  | 77  | 75  | 73  | 71  |     |     |        | 115         | 60    | 1      | 1.1               | 9454    |
| 90      | 87  | 84  | 82  | 81  | 78  | 77  | 74  | 72  |     |     |        | 208-230     | 60    | 1      | 0.6               | 9455    |
| 85      | 85  | 84  | 82  | 81  | 80  | 78  | 77  | 75  | 74  |     |        | 115         | 60    | 1      | 0.7               | 9457    |
| 150     | 135   | 130 | 128 | 128 | 126 |     |     |     |     |     |        | 115         | 60    | 1      | 1.8               | 9458    |
| 760/545 | 697   | 681 | 655 | 620 | 583 | 544 | 490 | 390 |     |     |        | 115         | 60/50 | 2      | 3.2               | 9459    |
| 70      | 62  | 60  | 56  | 53  |     |     |     |     |     |     |        | 120         | 60    | 1      | 0.7               | 9460    |
| 60      | 41  | 35  |     |     |     |     |     |     |     |     |        | 115         | 60    | 1      | 0.5               | 9461    |
| 65      | 55  | 54  | 53  | 51  | 50  | 49  | 48  |     |     |     |        | 115         | 60    | 1      | 0.8               | 9462    |
| 65      | 54  | 53  | 51  | 49  | 47  | 44  |     |     |     |     |        | 115         | 60    | 1      | 0.8               | 9463    |
| 495     | 410   | 374 | 335 | 285 | 270 |     |     |     |     |     |        | 115         | 60/50 | 1      | 3.4/3.8           | 9465    |
| 350     | 314   | 299 | 282 | 263 | 243 | 227 |     |     |     |     |        | 115         | 60/50 | 1      | 3.0/2.8           | 9466    |
| 326     | 264   | 250 | 222 | 198 | 190 |     |     |     |     |     |        | 115         | 60/50 | 1      | 1.1               | 9467    |
| 135     | 125   | 126 | 126 | 122 | 121 |     |     |     |     |     |        | 115         | 60/50 | 1      | 1.3               | 9468    |

# CFM Specifications for Blowers

| CFM  | NAMEPLATE STATIC PRESSURE (INCHES OF WATER) |     |     |     |     |     |     |     |     |     | Cutoff | Volts   | Hertz | Speeds | AMPS@<br>Free air | Stock # |
|------|---|-----|-----|-----|-----|-----|-----|-----|-----|-----|--------|---------|-------|--------|-------------------|---------|
|      | 0.1   | 0.2 | 0.3 | 0.4 | 0.5 | 0.6 | 0.7 | 0.8 | 0.9 | 1.0 |        |         |       |        |                   |         |
| 60   | 42  | 40  | 39  | 38  |     |     |     |     |     |     |        | 115     | 60/50 | 1      | 0.6/0.8           | 9470    |
| 180  | 158   | 146 | 134 | 125 | 120 |     |     |     |     |     |        | 115     | 60    | 3      | 2/1.3/1           | 9471    |
| 1000 | 928   | 890 | 853 | 828 | 789 | 739 | 682 | 528 | 458 |     |        | 115/230 | 60    | 1      | 4.0/2.0           | 9477    |
| 455  | 412   | 391 | 369 | 346 | 316 | 294 |     |     |     |     |        | 115     | 60/50 | 2      | 1.5               | 9478    |
| 160  | 142   | 127 | 118 | 106 |     |     |     |     |     |     |        | 230     | 60    | 1      | 0.6               | 9479    |
| 105  | 83  | 68  | 46  |     |     |     |     |     |     |     |        | 115     | 60    | 1      | 0.6               | 9480    |
| 80   | 66  | 45  |     |     |     |     |     |     |     |     |        | 115     | 60    | 2      | 0.6/1.4           | 9482    |
| 150  | 132   | 125 | 118 | 113 |     |     |     |     |     |     |        | 115     | 60    | 1      | 1.1               | 9483    |
| 320  |   |     |     |     |     |     |     |     |     |     |        | 115     | 60    | 1      | 1.3               | 9486    |
| 500  | 399   | 379 | 358 | 331 | 306 |     |     |     |     |     |        | 230     | 60/50 | 2      | 1.6/1.0           | 9490    |
| 500  | 409   | 381 | 354 | 330 | 299 |     |     |     |     |     |        | 115     | 60/50 | 2      | 3.5/2.2           | 9491    |
| 140  | 100   | 96  | 92  | 87  | 83  | 77  | 71  | 70  |     |     |        | 115     | 60/50 | 1      | 1.0               | 9492    |
| 140  | 99  | 95  | 90  | 85  | 80  | 73  | 67  | 64  |     |     |        | 208-240 | 60/50 | 1      | 0.5               | 9493    |
| 85   |   |     |     |     |     |     |     |     |     |     |        | 115     | 60    | 1      | 1.2               | 9495    |
| 130  |   |     |     |     |     |     |     |     |     |     |        | 208-230 | 60    | 1      | .55               | 9496    |
| 320  |   |     |     |     |     |     |     |     |     |     |        | 230     | 60/50 | 1      | 0.7               | 9497    |
| 250  |   |     |     |     |     |     |     |     |     |     |        | 115     | 60/50 | 1      | 0.6               | 9498    |
| 90   | 78  | 77  | 76  | 74  | 73  | 71  | 70  | 69  | 67  | 65  |        | 115     | 60    | 1      | 1.35              | 9619    |
| 90   | 81  | 80  | 78  | 77  | 75  | 74  | 72  | 71  | 69  | 68  |        | 115     | 60    | 1      | 1.73              | 9620    |
| 90   | 78  | 77  | 76  | 74  | 73  | 71  | 70  | 69  | 67  | 65  |        | 115     | 60    | 1      | 1.35              | 9621    |
| 90   | 81  | 80  | 78  | 77  | 75  | 74  | 72  | 71  | 69  | 68  |        | 115     | 60    | 1      | 1.73              | 9622    |

## Crossflow/Tangential Blower

- Features:**
- Sleeve Bearing (Lubricant range from -40° to 400°F)
  - UL Listed and CSA Certified
  - 16 Mounting slots allow for Top, Bottom, Front, and Back Mounting (slot size .218 x .562 long)

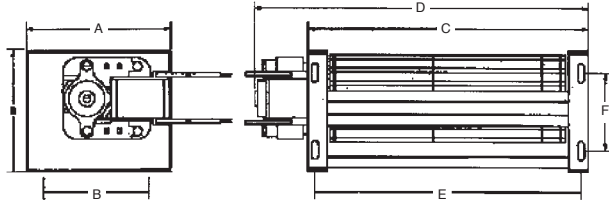
- Applications:**
- Refrigeration, Food Service, Gas and Wood Burning Stoves and Fireplaces.
  - Recommended Temp.: 30-150°F



J504



J507, J510, J513



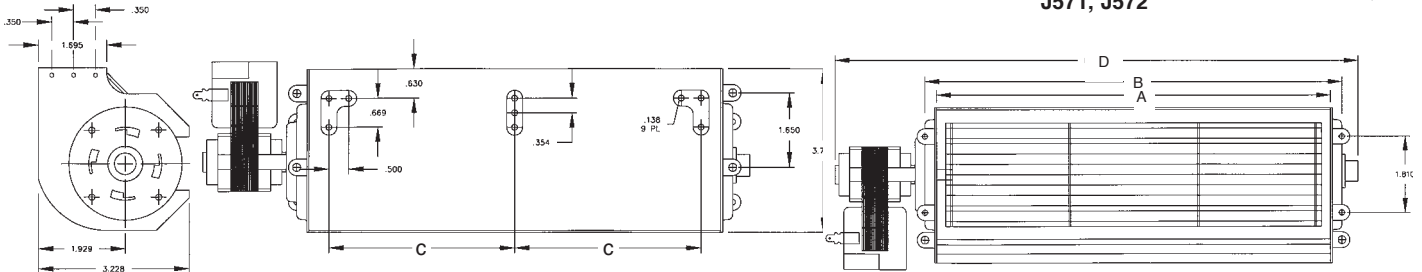
| Stack Size | CFM | RPM  | Volts | Amps | Stock No. | Wheel Length | Dimensions |       |        |          | Mounting Slots |       |   |
|------------|-----|------|-------|------|-----------|--------------|------------|-------|--------|----------|----------------|-------|---|
|            |     |      |       |      |           |              | A          | B     | C      | D        | E              | F     | G |
| 7/8"       | 80  | 2600 | 120   | 0.50 | J504      | 4.5"         | 4-1/4      | 3-1/2 | 6-1/8  | 7-9/16   | 5-3/4          | 2-1/4 | 3 |
| 7/8"       | 120 | 2600 | 120   | 0.90 | J507      | 7"           | 4-1/4      | 3-1/2 | 8-5/8  | 11       | 8-1/4          | 2-1/4 | 3 |
| 1-1/8"     | 160 | 2600 | 120   | 1.15 | J510      | 10"          | 4-1/4      | 3-1/2 | 11-5/8 | 13-15/16 | 11-1/4         | 2-1/4 | 3 |
| 1-1/2"     | 220 | 2600 | 120   | 1.25 | J513      | 13"          | 4-1/4      | 3-1/2 | 14-5/8 | 17-5/8   | 14-1/4         | 2-1/4 | 3 |

## Crossflow Blower

- Features:**
- UL Listed and CSA Certified
  - Sleeve Bearing (Lubricant range from -40° to 400°F)
- Applications:**
- J571 and J572 are 180mm for Use in Electric Heat Applications
  - J591 and J592 are 240mm for Use in Gas and Wood Fireplace Applications



J591, J592,  
J571, J572



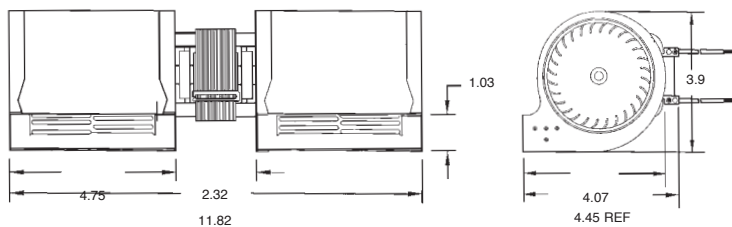
| Stack Size | CFM   | RPM  | Volts   | Amps     | Stock No. | Wheel Length | A       | B      | C      | D       |
|------------|-------|------|---------|----------|-----------|--------------|---------|--------|--------|---------|
| 1/2"       | 73    | 1800 | 120     | 0.38     | J571      | 7"           | 7-1/8   | 7-9/16 | 3      | 9-13/16 |
| 1/2"       | 64/73 | 1800 | 208-240 | 0.16-0.2 | J572      | 7"           | 7-1/8   | 7-9/16 | 3      | 9-13/16 |
| 1-1/8"     | 116   | 3100 | 120     | 1.1      | J591      | 9.4"         | 9-17/32 | 10     | 4-3/16 | 12-7/8  |
| 1-1/8"     | 116   | 3100 | 240     | 0.64     | J592      | 9.4"         | 9-17/32 | 10     | 4-3/16 | 12-7/8  |

## Centrifugal Blower

- Features:**
- Motors are UL Listed and CSA Certified
  - Sleeve Bearing (Lubricant range from -40° to 400°F)
  - Mounting Accessories Package with Blower
  - Recommended Application Temp. 30-150°F
  - Capable of Higher Static Pressure than Crossflow Type Blowers



J573



| Stack Size | CFM | RPM  | Volts | Amps | Stock No. |
|------------|-----|------|-------|------|-----------|
| 1-1/8"     | 130 | 2700 | 120   | 1.1  | J573      |

# 3-3/8" Diameter Stock Motors

## Draft Inducer Motors (With Switch)

### Features:

- Draft Inducer Motors
- Fan & Blower Duty
- Shaded Pole

OEM replacement for Lear Siegler-Miller, Intertherm, Coleman, Carrier, York, Johnson, Mid-Continent, Duotherm, Preway and others.



349  
(Coleman)  
2.63 B.C.



335 (Miller)



553



357  
(Mid Continent)

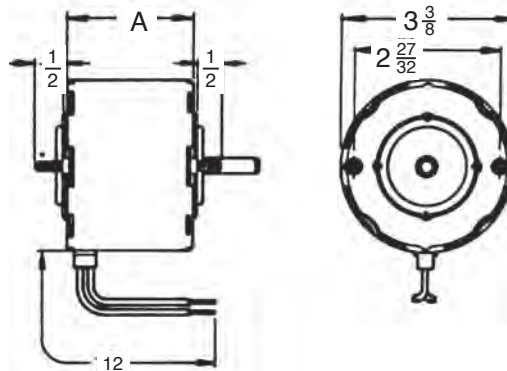


570 (Carrier)  
571 (Carrier)  
660 (Rheem) (Carrier)  
653 (Rheem)  
9409 (York)

| HP    | RPM       | Speeds | Volts   | Amps    | Stock Number | Shaft Dia. & Length | Rotation | "A" Dim. | Notes  |
|-------|-----------|--------|---------|---------|--------------|---------------------|----------|----------|--------|
| 1/125 | 3000      | 1      | 115     | .46     | 349          | 1/4 x 2-1/2         | CWSE     | 4-3/4    | 3,18   |
| 1/50  | 3000      | 1      | 115/230 | .81/.46 | 553          | 1/4 x 1-1/2         | CWSE     | 5-3/8    | 2      |
| 1/40  | 3000      | 1      | 115     | .83     | 335          | 5/16 x 1-1/2        | CCWSE    | 4-3/4    | 3      |
| 1/30  | 3000      | 1      | 115     | 1.1     | 357          | 1/4 x 1-1/2         | CWSE     | 4-3/4    | 3      |
| 1/20  | 3000      | 1      | 115/230 | 1.8/.92 | 570          | 1/4 x 2-1/2         | CWSE     | 6        | 2,3,18 |
| 1/20  | 3000      | 1      | 115/230 | 1.8/.92 | 571          | 1/4 x 2-1/2         | CCWSE    | 6        | 2,3,18 |
| 1/20  | 3000      | 1      | 230/460 | 1.0/.51 | 653          | 1/4 x 2-1/4         | CCWSE    | 6        | 2,3,18 |
| 1/15  | 3000/3430 | 1      | 230/460 | 1.0/.51 | 660          | 1/4 x 2-1/4         | CWSE     | 6        | 2,3,18 |
| 1/15  | 3000      | 1      | 460     | .7      | 9409         | 1/4 x 2-1/2         | CCWSE    | 6-1/8    | 2,3    |

### Notes:

2. Ball Bearings
3. Special OEM Replacement Motor (see pages 94-132)
18. Includes 1/4 - 5/16" Bushing



# 3-3/8" Diameter Stock Motors

## Draft Inducer Motors (With Switch)

### Features:

- Fan & Blower Duty
- Permanent Split Capacitor

OEM replacement for Carrier, Trane, York and others.



371, 374, 433



778 (CARRIER)



9525 (YORK)



9526 (YORK)

| HP   | RPM  | Speeds | Volts       | Amps        | Stock Number | Shaft Dia. & Length | Rotation | Capacitor | "A" Dim. | Notes   |
|------|------|--------|-------------|-------------|--------------|---------------------|----------|-----------|----------|---------|
| 1/20 | 1550 | 1      | 115/208-230 | .71/.34-.38 | 433          | 1/4 x 4-1/4         | REV      | Included  | 6-3/8    | 2,18    |
| 1/16 | 3450 | 1      | 208-230     | .41         | 778          | 1/4 x 3-3/4         | CWSE     | Included  | 6        | 2,3,18  |
| 1/8  | 3000 | 1      | 115         | 1.8         | 374          | 1/4 x 3-3/4         | REV      | Included  | 6-1/2    | 2,18    |
| 1/8  | 3000 | 1      | 208-230     | .89         | 371          | 1/4 x 3-3/4         | REV      | Included  | 6-1/2    | 2,18    |
| 1/10 | 3400 | 1      | 460         | .36         | 9526         | 3/8 x 8-3/4         | CCWSE    | Included  | 7-1/8    | 2,3,166 |
| 1/12 | 3400 | 1      | 460         | .30         | 9525         | 1/4 x 2-1/2         | CCWSE    | Included  | 7        | 2,3,166 |

## Draft Inducer Motors (Without Switch)

### Features:

- Fan & Blower Duty
- Shaded Pole & Permanent Split Capacitor
- 60 Hz

OEM replacement for: Lear Siegler-Miller, Intertherm, Coleman, Carrier, York, Trane Miller, Johnson, Mid-Continent, Duotherm, Preway and others.



773 (TRANE)



579, 580 BDP/CARRIER

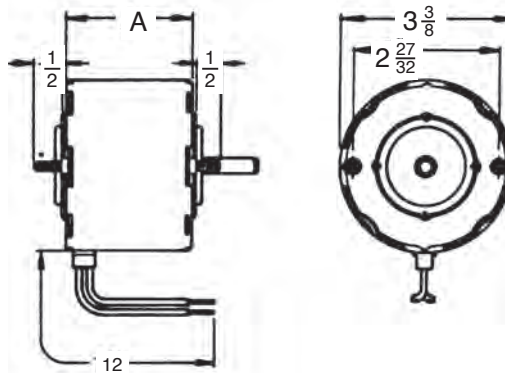


964 LENNOX/TRANE

| HP   | RPM  | Speeds | Volts | Amps | Stock Number | Shaft Dia. & Length | Rotation | Capacitor   | "A" Dim. | Notes |
|------|------|--------|-------|------|--------------|---------------------|----------|-------------|----------|-------|
| 1/50 | 3300 | 1      | 115   | 1.4  | 579          | 5/16 x 2-1/4        | CWSE     | Shaded Pole | 3-1/4    | 3,4   |
| 1/20 | 3300 | 1      | 115   | 1.8  | 580          | 5/16 x 2-1/8        | CWSE     | Shaded Pole | 3-3/4    | 3,4   |
| 1/15 | 3400 | 1      | 120   | 0.85 | 964          | 5/16 x 1-1/2        | CWSE     | 3MFD 300V   | 4-5/8    | 2,3   |

### Notes:

2. Ball Bearings
3. Special OEM Replacement Motor (see pages 94-132)
4. Supplied with Lead & Plug Assembly
18. Includes 1/4 - 5/16" Bushing
166. No Conduit Box



# 3-3/8" Diameter Stock Motors

## Open Ventilated Fan & Blower Duty

### Features:

- Continuous Duty, Air Over
- Shaded Pole

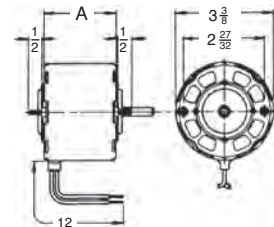
OEM replacement for Nutone, Broan, Fedders, McQuay, Bohn, Witt Coil, American Standard, Miami Carey, Duotherm, Coleman, Phil Rich, Chrysler and others.



| HP               | RPM  | Speeds | Volts | Amps        | Stock Number | Shaft Diameter & Length | Rotation | "A" Dim. | Notes |
|------------------|------|--------|-------|-------------|--------------|-------------------------|----------|----------|-------|
| 1/100            | 3000 | 1      | 115   | .55         | 308          | 1/4 x 3-1/2             | CCWSE    | 2-1/8    |       |
| 1/100            | 3000 | 1      | 120   | .69         | 985          | 1/4 x 3-1/2             | CCWSE    | 2-1/8    |       |
| 1/88             | 1320 | 1      | 115   | .60         | 636          | 1/4 x 1-1/4             | CWSE     | 2        | 3,4   |
| 1/80             | 3000 | 1      | 115   | .55         | 541          | 1/4 x 2                 | CWSE     | 2-1/2    | 3     |
| 1/75             | 1550 | 1      | 115   | .60         | 540          | 1/4 x 2-1/2             | CWSE     | 2        |       |
| 1/75             | 1550 | 1      | 115   | .62         | 370          | 1/4 x 2-1/2             | CCWSE    | 2-1/8    |       |
| 1/70             | 1550 | 1      | 115   | .70         | 14           | 1/4 x 2-1/2             | CWSE     | 2-1/8    |       |
| 1/70             | 1550 | 1      | 115   | .60         | 15           | 1/4 x 2-1/2             | CCWSE    | 2-1/8    |       |
| 1/70             | 3000 | 1      | 115   | .62         | 32           | 1/4 x 2-1/2             | CWSE     | 2-1/2    |       |
| 1/70             | 3000 | 1      | 115   | .62         | 33           | 1/4 x 2-1/2             | CCWSE    | 2-1/2    |       |
| 1/60~1/100~1/150 | 900  | 3      | 115   | 1.3-.95-.65 | 369          | 5/16 x 2-1/2            | CCWSE    | 3-3/8    |       |
| 1/50             | 1400 | 1      | 120   | .73         | 633          | 5/16 x 1-5/16           | CWSE     | 2-1/2    | 3     |
| 1/50             | 1550 | 1      | 115   | .75         | 18           | 1/4 x 2-1/2             | CWSE     | 2-1/2    |       |
| 1/50             | 1550 | 1      | 115   | .75         | 19           | 1/4 x 2-1/2             | CCWSE    | 2-1/2    |       |
| 1/45             | 1625 | 1      | 120   | 1.3         | 632          | 1/4 x 1-1/2             | CCWSE    | 2-3/4    | 3     |
| 1/40             | 1550 | 1      | 115   | 1.1         | 26           | 5/16 x 2-1/2            | CWSE     | 2-1/2    |       |
| 1/40             | 1550 | 1      | 115   | 1.0         | 27           | 5/16 x 2-1/2            | CCWSE    | 2-1/2    |       |
| 1/40~1/60        | 1550 | 2      | 115   | 1.0-.70     | 81           | 5/16 x 2-1/2            | CCWSE    | 2-1/2    |       |
| 1/40             | 1500 | 1      | 230   | 0.7         | 949          | 1/4 x 2-1/4             | CWSE     | 2-1/4    | 6     |
| 1/40             | 3000 | 1      | 115   | .92         | 36           | 1/4 x 2-1/2             | CWSE     | 3-1/8    |       |
| 1/30             | 1550 | 1      | 115   | 1.1         | 28           | 5/16 x 2-1/2            | CWSE     | 2-1/2    |       |
| 1/30             | 1550 | 1      | 115   | 1.2         | 29           | 5/16 x 2-1/2            | CCWSE    | 2-1/2    |       |
| 1/30~1/50~1/75   | 3000 | 3      | 115   | 1.6-.74-.43 | 462          | 1/4 x 2-1/2             | CCWSE    | 2-1/2    |       |

- Notes:  
 3. Special OEM Replacement Motor (see pages 94-132)  
 4. Supplied with Lead & Plug Assembly  
 6. 60/50 HZ

Continues on next page



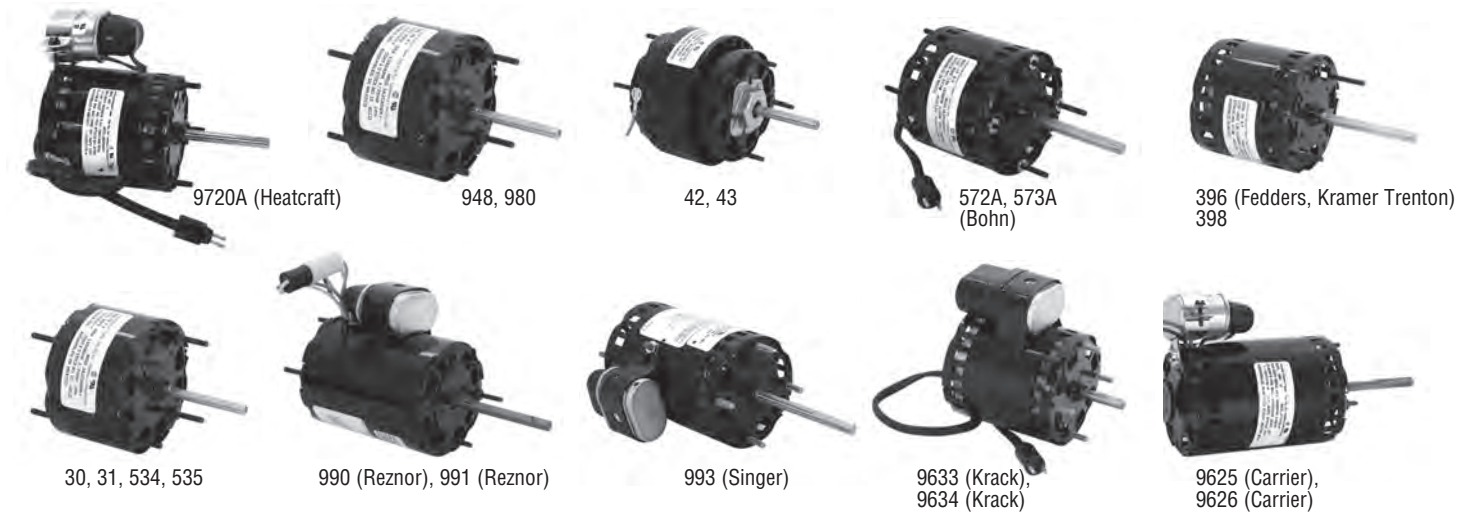
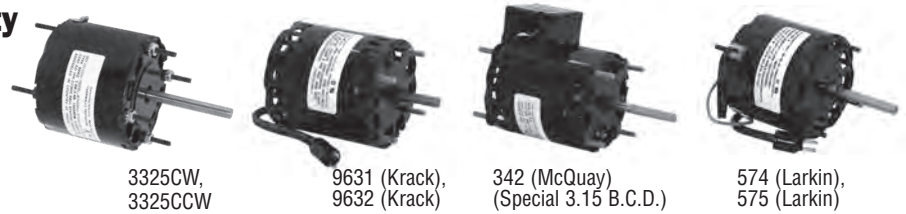


## Open Ventilated Fan & Blower Duty

### Features:

- Continuous Duty, Air Over
- Shaded Pole & PSC

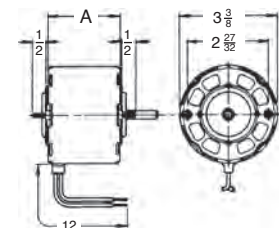
OEM replacement for American Standard, Bohn, Broan, Chrysler, Coleman, Duotherm, Fedders, McQuay, Miami Carey, Nutone, Phil Rich, Whitt Coil and others.



| HP             | RPM  | Speeds | Volts   | Amps        | Stock Number | Shaft Diameter & Length | Rotation | "A" Dim. | Notes              |
|----------------|------|--------|---------|-------------|--------------|-------------------------|----------|----------|--------------------|
| 1/25           | 1550 | 1      | 115     | 1.6         | 30           | 5/16 x 2-1/2            | CWSE     | 2-5/8    |                    |
| 1/25           | 1550 | 1      | 115     | 1.9         | 31           | 5/16 x 2-1/2            | CCWSE    | 2-5/8    |                    |
| 1/25-1/50      | 1550 | 1      | 115     | 1.6-1.4     | 3325CW       | 5/16 x 2-1/2            | CWSE     | 2.75     | <b>NEW!</b>        |
| 1/25-1/50      | 1550 | 1      | 115     | 1.6-1.4     | 3325CCW      | 5/16 x 2-1/2            | CCWSE    | 2.75     | <b>NEW!</b>        |
| 1/25~1/30~1/40 | 1550 | 3      | 115     | 1.8-1.3-1.0 | 534          | 5/16 x 2-1/2            | CWSE     | 3        | 2                  |
| 1/25~1/30~1/40 | 1550 | 3      | 115     | 1.8-1.3-1.0 | 535          | 5/16 x 2-1/2            | CCWSE    | 3        | 2                  |
| 1/25           | 3000 | 1      | 230     | .67         | 980          | 1/4 x 2-1/4             | CWSE     | 3        |                    |
| 1/20           | 1550 | 1      | 115     | 1.9         | 572A         | 5/16 x 3                | CWSE     | 3        | 3,4                |
| 1/20           | 1550 | 1      | 115     | 1.6         | 574          | 5/16 x 2-1/2            | CCWSE    | 2-3/4    | 3,4,150            |
| 1/20           | 1450 | 1      | 208-230 | 1.1         | 396          | 5/16 x 2-1/2            | CWSE     | 3-1/4    | 3,4                |
| 1/20           | 1450 | 1      | 208-230 | 1.1         | 398          | 5/16 x 2-1/2            | CCWSE    | 3-1/8    |                    |
| 1/20           | 1550 | 1      | 208-230 | .90         | 575          | 5/16 x 2-1/2            | CCWSE    | 2-3/4    | 3,4,150            |
| 1/16           | 3450 | 1      | 208-230 | 0.48        | 9626         | 5/16 x 3-1/4            | CCWSE    | 4-7/8    | 2,3,68,239,327     |
| 1/16           | 3450 | 1      | 460     | 0.25        | 9625         | 5/16 x 3-1/4            | CCWSE    | 4-7/8    | 2,3,68,150,239,327 |
| 1/15           | 1550 | 1      | 115     | 2.2         | 42           | 5/16 x 2-1/2            | CWSE     | 3-1/8    |                    |
| 1/15           | 1550 | 1      | 115     | 2.3         | 43           | 5/16 x 2-1/2            | CCWSE    | 3-1/8    |                    |
| 1/15           | 1630 | 1      | 115     | 2.1         | 9631         | 5/16 x 1-1/2            | CWSE     | 3-5/8    | 3,4,150            |
| 1/15           | 1640 | 1      | 115     | 0.7         | 9633         | 5/16 x 1-1/2            | CWSE     | 3-5/8    | 3,4,68,150         |
| 1/15           | 1550 | 1      | 115/230 | 1.9/90      | 342          | 5/16 x 2-1/2            | CWSE     | 3-3/4    | 3,200              |
| 1/15           | 1550 | 1      | 208-230 | 1.2         | 9632         | 5/16 x 1-1/2            | CWSE     | 3-5/8    | 3,4,150            |
| 1/15           | 1550 | 1      | 208-230 | 1.3         | 573A         | 5/16 x 3                | CWSE     | 3-5/8    | 3,4                |
| 1/15           | 1640 | 1      | 208-230 | 0.3         | 9634         | 5/16 x 1-1/2            | CWSE     | 3-5/8    | 3,4,68,150         |
| 1/15           | 3000 | 1      | 230     | 1.2         | 948          | 1/4 x 2-1/4             | CWSE     | 3        | 150                |
| 1/12           | 1550 | 1      | 208-230 | 0.5         | 9720A        | 5/16 x 2-5/8            | CCWSE    | 3-5/8    | 3,4,68,150         |
| 1/10           | 1550 | 1      | 230     | 1.0         | 993          | 5/16 x 3-3/4            | REV      | 4-7/8    | 3,68,239           |
| 1/10           | 3200 | 1      | 115     | 1.5         | 991          | 5/16 x 3-1/4            | REV      | 4-1/4    | 2,3,68,239         |
| 1/10           | 3200 | 1      | 208-230 | 0.63        | 990          | 5/16 x 3-1/4            | REV      | 4-3/8    | 2,3,68,239         |

### Notes:

2. Ball bearings
3. Special OEM Replacement Motor (see pages 94-132)
4. Supplied with lead & plug assembly
68. PSC motor
150. Rated 50/60 HZ
200. Has special 3.15" bolt circle
239. Capacitor attached
327. Carrier Sensor Assembly (50HJ 401 484) not included



# 3-3/8" Diameter Stock Motors

## Totally Enclosed Fan & Blower Duty

### Features:

- Continuous Duty, Air Over
- Dependable Quiet Sleeve Bearings
- Shaded Pole • Totally Enclosed Construction • 60 Hz
- Single Shaft • 115 & 230 V

**Applications:** Where high humidity or dust might cause open ventilated motors to fail.

- Vent Hood • Refrigeration Application • Electric Unit Heaters • Humidifiers • Dehumidifiers

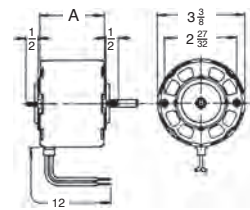
OEM replacement for: Nutone, Tyler, Broan, Bohn, Preway, Miami Carey, Duotherm, Ventrola, Markel, Mid-Continent, Federal Pacific, Chromalox and other fan and blower duty applications.



| HP         | RPM  | Speeds | Volts   | Amps    | Stock Number | Shaft Diameter & Length | Rotation | "A" Dim. | Notes   |
|------------|------|--------|---------|---------|--------------|-------------------------|----------|----------|---------|
| 1/150      | 1550 | 1      | 115     | .42     | 674          | 1/4-20 THD              | CCWSE    | 2-1/2    | 3       |
| 1/100      | 1550 | 1      | 115     | .38     | 16           | 1/4 x 2-1/2             | CWSE     | 2-1/8    |         |
| 1/100      | 1550 | 1      | 115     | .38     | 17           | 1/4 x 2-1/2             | CCWSE    | 2        |         |
| 1/100      | 1550 | 1      | 115     | .73     | 692          | 1/4 x 2-1/4             | CWSE     | 2        | 3,4     |
| 1/100      | 1550 | 1      | 115     | .73     | 693          | 1/4 x 2-1/4             | CCWSE    | 2        | 3,4     |
| 1/75       | 1550 | 1      | 115     | .60     | 637          | 1/4 x 1-3/16            | CCWSE    | 2-1/8    | 3,4     |
| 1/75       | 1650 | 1      | 115     | .50     | 683          | 1/4-20THD               | CWSE     | 2        | 3       |
| 1/70       | 1550 | 1      | 115     | .60     | 509          | 1/4 x 1-1/4             | CCWSE    | 2-1/8    | 3,4     |
| 1/70       | 1550 | 1      | 115     | .60     | 510          | 1/4 x 2-1/4             | CCWSE    | 2-1/8    | 3,4     |
| 1/70       | 3000 | 1      | 115     | .62     | 616          | 1/4 x 1                 | CCWSE    | 2-1/4    | 4       |
| 1/60~1/75  | 1550 | 2      | 115     | .74-.50 | 597          | 5/16 x 1-1/4            | CWSE     | 2-1/4    | 3       |
| 1/60       | 3000 | 1      | 115     | .75     | 983          | 1/4 x 2-1/4             | CCWSE    | 2-1/4    |         |
| 1/60       | 3000 | 1      | 115     | .85     | 986          | 1/4 x 1-3/4             | CWSE     | 2-1/4    |         |
| 1/50       | 1550 | 1      | 115     | .90     | 20           | 1/4 x 2-1/2             | CWSE     | 2-1/2    |         |
| 1/50       | 1550 | 1      | 115     | .90     | 21           | 1/4 x 2-1/2             | CCWSE    | 2-1/2    |         |
| 1/50~1/100 | 2800 | 2      | 115     | .65-.44 | 496          | 1/4 x 1-1/4             | CWSE     | 2-1/2    | 3       |
| 1/30       | 1550 | 1      | 115     | .97     | 400          | 5/16 x 3-1/4            | CCWSE    | 2-3/4    | 3       |
| 1/25       | 1550 | 1      | 115     | 1.2     | 431          | 5/16 x 2-1/2            | CWSE     | 3        | 150     |
| 1/25       | 1550 | 1      | 115     | 1.3     | 9627         | 5/16 x 1-3/4            | CWSE     | 3-1/4    | 3,4,150 |
| 1/25       | 1550 | 1      | 115     | 1.3     | 9629         | 5/16 x 1-3/4            | CWSE     | 3-1/4    | 3,150   |
| 1/25       | 1550 | 1      | 115/230 | 1.6/.8  | 9523         | 5/16 x 2-1/2            | CWSE     | 3-1/8    | 3       |
| 1/25       | 1550 | 1      | 208-230 | .60     | 432          | 5/16 x 2-1/2            | CWSE     | 3        |         |
| 1/25       | 1550 | 1      | 208-230 | 0.7     | 9630         | 5/16 x 1-3/4            | CWSE     | 3-1/4    | 3,150   |
| 1/20       | 1550 | 1      | 200-230 | 0.9     | 9628         | 5/16 x 1-1/2            | CWSE     | 3-1/2    | 3,4,150 |

### Notes:

- 3. Special OEM Replacement Motor (see pages 94-132)
- 4. Supplied with lead & plug assembly
- 150. Rated 50/60 HZ



## Room Air Conditioning & Double Blowers

### Features:

- Continuous Duty, Air Over
- Double Shaft
- Open and Closed Construction Applications
- Thermally Protected
- Shaded Pole & PSC
- 60 Hz



### Applications: Double Blower • Room Air Conditioning • Heaters

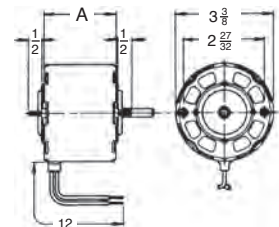
OEM replacement for Day & Night, Carrier, Trade Wind, Thermador, Gibson, Sears, Whirlpool, etc.



| HP             | RPM  | Speeds | Volts   | Amps        | Stock Number | Shaft Diameter & Length | Capacitor   | "A" Dim. | Notes |
|----------------|------|--------|---------|-------------|--------------|-------------------------|-------------|----------|-------|
| 1/125~1/200    | 1550 | 2      | 115     | .57-.34     | 10           | 1-3/4 x 1/4 x 1-3/4     | Shaded Pole | 1-7/8    |       |
| 1/50~1/70      | 1550 | 2      | 208-230 | .40-.20     | 378          | 2-1/2 x 1/4 x 2-1/2     | Shaded Pole | 2-1/4    |       |
| 1/40           | 1550 | 1      | 115     | .90         | 314          | 2-3/8 x 5/16 x 2-3/8    | Shaded Pole | 2-1/2    |       |
| 1/40~1/60      | 1550 | 2      | 115     | 1.0-.70     | 350          | 1-3/4 x 5/16 x 1-3/4    | Shaded Pole | 2-1/2    |       |
| 1/40~1/70      | 3000 | 2      | 115     | 1.2-.6      | 9419         | 3 x 1/4 x 3             | Shaded Pole | 2-7/8    |       |
| 1/30           | 3000 | 1      | 115     | 1.1         | 11           | 1-1/2 x 1/4 x 1-1/2     | Shaded Pole | 2-7/8    |       |
| 1/30           | 3000 | 1      | 115     | 1.4         | 9449         | 3-1/4 x 1/4 x 3-1/4     | Shaded Pole | 3-5/8    |       |
| 1/30           | 3000 | 1      | 230     | .55         | 979          | 2-1/4 x 1/4 x 2-1/4     | Shaded Pole | 2-3/4    |       |
| 1/25           | 1550 | 1      | 115     | 2.1         | 324          | 2 x 5/16 x 2            | Shaded Pole | 3        | 3     |
| 1/20~1/30      | 1550 | 2      | 115     | 2.7-1.4     | 359          | 4 x 5/16 x 4            | Shaded Pole | 3-1/8    | 3     |
| 1/15~1/25~1/35 | 1000 | 3      | 115     | 1.5-1.0-.8  | 9400         | 5-5/8 x 3/8 x 5-5/8     | 4MFD-370V   | 4-5/8    | 3     |
| 1/15           | 1550 | 1      | 115     | 3.0         | 02           | 2 x 5/16 x 2            | Shaded Pole | 3        | 3     |
| 1/15           | 1600 | 1      | 120     | 2.1         | 634          | 2-1/2 x 5/16 x 2-1/2    | Shaded Pole | 3-3/8    | 3     |
| 1/15~1/25~1/30 | 1550 | 3      | 115     | 2.7-1.9-1.6 | 356          | 2-3/4 x 5/16 x 2-1/2    | Shaded Pole | 3-1/4    |       |
| 1/15~1/25~1/30 | 1550 | 3      | 115     | 2.7-1.9-1.6 | 377          | 6-1/2 x 5/16 x 6-1/2    | Shaded Pole | 3-3/8    | 3     |
| 1/12~1/20~1/30 | 1550 | 3      | 115     | 3.0-2.1-1.7 | 757          | 5-3/4 x 5/16 x 5-3/4    | Shaded Pole | 3-5/8    |       |
| 1/12~1/20~1/25 | 1550 | 3      | 115     | 1.4-.90-.70 | 447          | 6 x 5/16 x 6            | 5MFD-370V   | 4        |       |

### Notes:

3. Special OEM Replacement Motor (see pages 94-132)



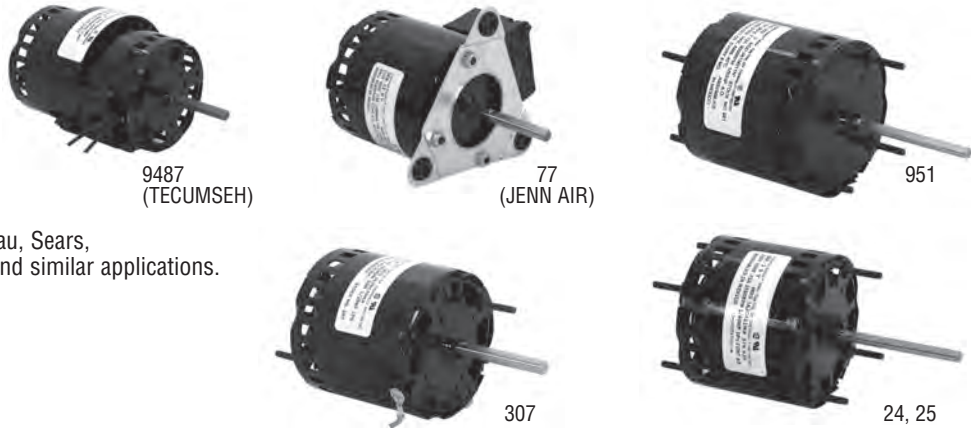
# 3-3/8" Diameter Stock Motors

## Open Fan Cooled

### Features:

- Internally Fan Cooled
- Shaded Pole
- 60 Hz and 60/50 Hz
- 77 for Jenn Air 70 CR

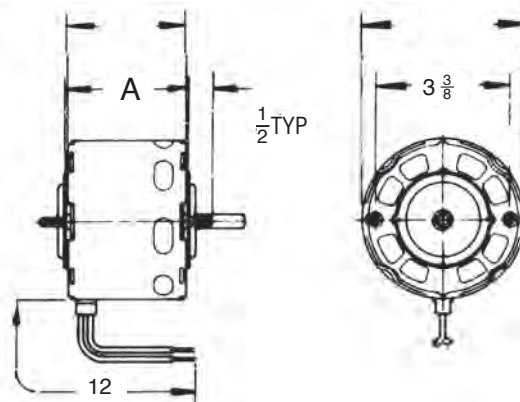
OEM replacement for Tecumseh, Lau, Sears, Jenn Air, Lear Siegler humidifiers and similar applications.



| HP   | RPM  | Speeds | Volts | Amps | Stock Number | Shaft Diameter & Length | Rotation | "A" Dim. | Notes   |
|------|------|--------|-------|------|--------------|-------------------------|----------|----------|---------|
| 1/60 | 1550 | 1      | 115   | .73  | 24           | 1/4 x 3                 | CWSE     | 2-7/8    |         |
| 1/60 | 1550 | 1      | 115   | .73  | 25           | 1/4 x 3                 | CCWSE    | 2-7/8    |         |
| 1/30 | 1550 | 1      | 115   | 1.0  | 77           | 5/16 x 2-1/2            | CWSE     | 3-1/4    | 2,3,126 |
| 1/30 | 3000 | 1      | 115   | 1.12 | 951          | 1/4 x 3                 | CWSE     | 3-1/4    |         |
| 1/25 | 1550 | 1      | 115   | 1.2  | 307          | 5/16 x 2-1/2            | CWSE     | 3-1/4    |         |
| 1/12 | 1500 | 1      | 230   | 1.3  | 9487         | 5/16 x 2-1/8            | CCWSE    | 4-7/8    | 3,6,126 |

### Notes:

- 2. Ball Bearing
- 3. Special OEM Replacement Motor (see pages 94-132)
- 6. 60/50 Hz
- 126. Special Mounting Bracket





## GE 11 Frame Replacements

### Features:

- All Angle Sleeve Bearing
- Insulation Class B
- Open Fan Cooled (9439 is Air Over)
- Shaded Pole
- Single Speed
- Thermally Protected
- UL, CSA Approved
- 1-3/4" Resilient Rings (except 981 9336, and 9439)
- 2.84 B.C. 8-32 Tapped Holes for Shaft End Mounting
- 40°C Ambient



9653, 9654, 9655,  
9656, 9657, 9658,  
9659, 9660, 9661,  
9662, 9664, 9665,  
671B, 672B



9336



9663



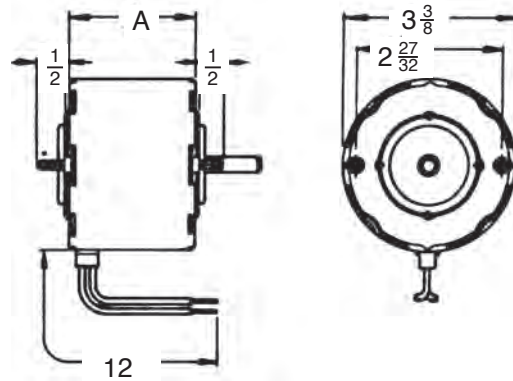
981  
(Tecumseh)

| HP   | RPM  | Volts       | Amps    | Stock Number | Shaft Diameter & Length | Rotation Opposite Shaft End | Ring to Ring Dimension | Industry Number | Notes                    |
|------|------|-------------|---------|--------------|-------------------------|-----------------------------|------------------------|-----------------|--------------------------|
| 1/40 | 1550 | 115         | 1.2     | 9656         | 5/16 x 1-1/4            | CW                          | 4-1/2                  | 1531            | 184                      |
| 1/40 | 1550 | 115         | 1.2     | 9657         | 5/16 x 1-1/4            | CCW                         | 4-1/2                  | 1541            | 184,231                  |
| 1/40 | 1550 | 208-230     | 0.6     | 9658         | 5/16 x 1-1/4            | CW                          | 4-1/2                  | 1532            | 184                      |
| 1/40 | 1550 | 208-230     | 0.6     | 9659         | 5/16 x 1-1/4            | CCW                         | 4-1/2                  | 1542            | 184                      |
| 1/30 | 1550 | 115         | 1.6     | 9653         | 5/16 x 1-1/4            | CW                          | 4-5/8                  | 1431            | 184                      |
| 1/30 | 1550 | 208-230     | 0.8     | 9654         | 5/16 x 1/14             | CW                          | 4-5/8                  | 1432            | 184                      |
| 1/30 | 1550 | 208-230     | 0.8     | 9655         | 5/16 x 1-1/4            | CCW                         | 4-5/8                  | 1442            | 184                      |
| 1/20 | 1550 | 115         | 2.0     | 9660         | 5/16 x 2                | CW                          | 4-3/4                  | 1331            | 184                      |
| 1/20 | 1550 | 115         | 2.0     | 9661         | 5/16 x 2                | CCW                         | 4-3/4                  | 1341            | 184,231                  |
| 1/20 | 1550 | 208-230     | 1.0     | 9662         | 5/16 x 2                | CCW                         | 4-3/4                  | 1342            | 184                      |
| 1/20 | 1550 | 208-230     | 1.0     | 9663         | 5/16 x 1-1/4            | CW                          | 4-1/2                  | 1016            | 75,184                   |
| 1/20 | 1550 | 208-230     | 1.0     | 9664         | 5/16 x 2                | CW                          | 4-3/4                  | 1332            | 184,231                  |
| 1/20 | 1550 | 230         | 1.1     | 9336         | 5/16 x 2-5/8            | CW                          | 4-7/8                  | 1336            | 2,75,150,<br>184,331,231 |
| 1/15 | 1550 | 115/208-230 | 2.1/1.1 | 671B         | 5/16 x 2                | CW                          | 4-7/8                  | 1231            | 2,184,231                |
| 1/15 | 1550 | 115/208-230 | 2.1/1.1 | 672B         | 5/16 x 2                | CCW                         | 4-7/8                  | 1441            | 2,184,231                |
| 1/15 | 1550 | 208-230     | 1.1/1.0 | 9665         | 5/16 x 1-1/4            | CW                          | 4-3/4                  | 1232            | 150,184,231              |
| 1/15 | 1550 | 460         | 0.6     | 981          | 5/16 x 2-1/2            | CW                          | 4-1/4                  |                 | 3,184,331,231            |

### Notes:

- Ball bearing
- Special OEM Replacement Motor (see pages 94-132)
- Mounting Rings not included
- Rated 50/60 Hz
- Lead exit is on shaft end
- Includes 8/32 mounting studs
- Cannot be mounted with rings – ring to ring dimension is body length

**Stock No. 2064A**  
8-32 x 3/4"  
(8 screws per pack)  
Sold Separately



# 3-3/8" Diameter Stock Motors

## Totally Enclosed Fan Cooled

### Features:

- Shaded Pole & PSC
- 60 Hz

OEM replacement for Coleman, Tjerlund, Trane, Frigidaire, McQuay and similar applications.



994, 995, 9450



982, 988



351



91, 418, 419



38

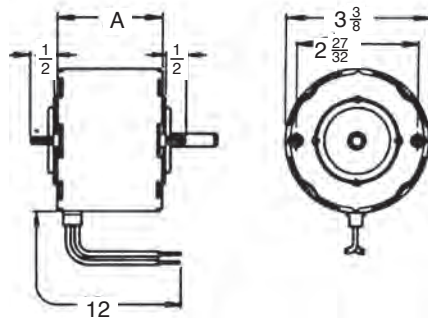


40, 41

| HP   | RPM  | Speeds | Volts   | Amps     | Stock Number | Shaft Diameter & Length | Capacitor   | Rotation | "A" Dim. | Notes |
|------|------|--------|---------|----------|--------------|-------------------------|-------------|----------|----------|-------|
| 1/25 | 1550 | 1      | 115     | 1.2      | 38           | 5/16 x 2-1/2            | Shaded Pole | CWSE     | 4-1/8    |       |
| 1/20 | 1550 | 1      | 115     | 1.5      | 40           | 5/16 x 2-1/2            | Shaded Pole | CWSE     | 4-1/8    |       |
| 1/20 | 1550 | 1      | 115     | 1.5      | 41           | 5/16 x 2-1/2            | Shaded Pole | CCWSE    | 4-1/8    |       |
| 1/20 | 1550 | 1      | 115/230 | 1.5/1.74 | 351          | 5/16 x 4-1/2            | Shaded Pole | CWSE     | 4-1/4    | 2     |
| 1/20 | 1550 | 1      | 115/230 | 1.48/.74 | 419          | 5/16 x 2-1/4            | Shaded Pole | CCWSE    | 4-1/4    | 2     |
| 1/20 | 3000 | 1      | 115/230 | 2.0/1.0  | 9450         | 5/16 x 6-1/2            | Shaded Pole | CCWSE    | 4-3/8    | 2,173 |
| 1/20 | 3000 | 1      | 115/230 | 1.9/.90  | 994          | 5/16 x 6-1/2            | Shaded Pole | CCWSE    | 4-3/8    | 2,173 |
| 1/20 | 3000 | 1      | 115/230 | 1.9/.90  | 995          | 5/16 x 6-1/2            | Shaded Pole | CWSE     | 4-3/8    | 173   |
| 1/20 | 3200 | 1      | 115     | 0.64     | 988          | 5/16 x 2-1/4            | Included    | REV      | 4-1/2    | 2     |
| 1/15 | 3000 | 1      | 115/230 | 2.0/1.0  | 91           | 5/16 x 5                | Shaded Pole | CWSE     | 4-1/2    | 2,122 |
| 1/15 | 3000 | 1      | 115/230 | 2.0/1.0  | 418          | 5/16 x 5                | Shaded Pole | CCWSE    | 4-1/2    | 2     |
| 1/8  | 3000 | 1      | 115     | 2.0      | 982          | 5/16 x 2-1/4            | Included    | REV      | 5-1/4    | 2     |

### Notes:

- 2. Ball Bearings
- 122. Stock No. 91 has a stainless steel shaft and 20" leads for use on ice machines
- 173. Motor has four studs

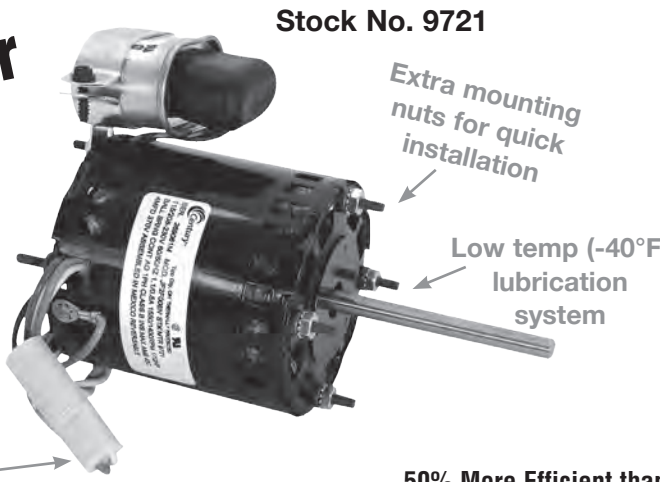




**HEATCRAFT REPLACEMENT MOTORS  
BOHN, CHANDLER, CLIMATE CONTROL AND LARKIN**

**3-in-1™ Motor**

Replaces 1/12, 1/15, 1/20 HP  
PSC and Low Efficient  
Shaded Pole Designs



**ENERGY  
SAVINGS  
PSC  
DESIGN**

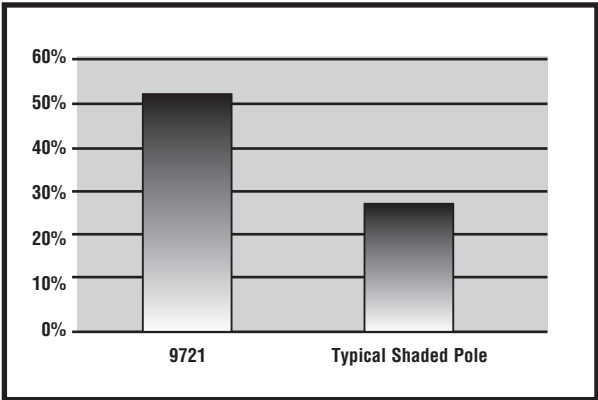


50% More Efficient than Shaded Pole Motors

**Direct Drop-in  
Replacement for  
walk-in cooler  
evaporator fans**

**Features:**

- ✓ Easy-to-Read Connection Diagram Attached to White Lead Wire
- ✓ Now! Four Studs on Each End
- ✓ 40°C Ambient
- ✓ Class B Insulation
- ✓ 60/50 HZ
- ✓ UL and CSA Recognized



\$ Less efficient shaded pole motors are often used in original equipment to cut costs. While they do allow some small savings in purchase price, the savings are quickly eaten up in electric bills at today's high power costs.

| Stock No. | HP             | Volts       | Amps    | RPM  | Speeds | BM DIM | Shaft Dia. & Length | Rotation | Wt.  |
|-----------|----------------|-------------|---------|------|--------|--------|---------------------|----------|------|
| 9721•\$   | 1/12,1/15,1/20 | 115/208-230 | 1.1/0.5 | 1550 | 1      | 3.60   | 5/16x3-1/4          | Rev.     | 4.75 |

•Ball Bearing      \$ Energy Efficient

Use of a permanent split capacitor design allows the motor to deliver more power with a lower amp draw. Cooler operation results in fewer failures. Ball bearings provide smooth, quiet operation and extended motor life.

# 4-5/16" Diameter Stock Motors

## Heating, Ventilating & Welding Units

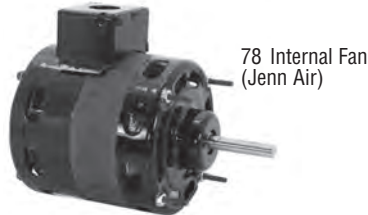
### Features:

- Auto Protector
- Continuous Duty, Air Over
- Shaded Pole & PSC
- 3/8" Diameter Shaft
- 60 Hz

### Applications:

- Roof & Wall Ventilators • Condenser Fans • Direct Drive Blowers
- Unit Heaters • 78 For use on Jenn Air 80 CR • Furnace Fan
- Ventilating Units • 97 For use on Intertherm Furnaces TAC 900, 950, 1033, 1043, 1050 R70 & M7G

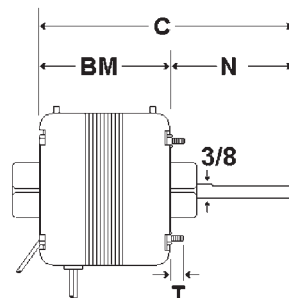
OEM replacement for Luxaire, Home, Lau, Taylor Freezer, Slirpy, Duotherm, Loren Cook, Lennox, Bohn, Wagner, Reznor, Lincoln, Miller, Hobart, Westinghouse, Intertherm, Jenn Air and similar applications.



| HP             | RPM  | Speeds | Volts   | Amps      | Stock Number | Capacitor   | Rotation | Dim. Ref. | Notes   |
|----------------|------|--------|---------|-----------|--------------|-------------|----------|-----------|---------|
| 1/40~1/65      | 1050 | 2      | 115     | 1.1-.70   | <b>305</b>   | Shaded Pole | CWSE     | 3         | 272     |
| 1/20           | 1050 | 1      | 115     | 2.1       | <b>48</b>    | Shaded Pole | CWSE     | 3         |         |
| 1/20~1/30      | 1000 | 2      | 115     | 2.2-1.1   | <b>332</b>   | Shaded Pole | CWSE     | 2         | 3       |
| 1/15           | 1050 | 1      | 115     | 2.5       | <b>50</b>    | Shaded Pole | CWSE     | 1         |         |
| 1/15           | 1050 | 1      | 115     | 2.2       | <b>394</b>   | Shaded Pole | CWSE     | 4         | 2,3     |
| 1/15~1/20~1/40 | 1060 | 3      | 115     | 1.2-.9-.7 | <b>793</b>   | 6 MFD-370V  | REV      | 6         | 3,100   |
| 1/15           | 1550 | 1      | 115     | 2.3       | <b>44</b>    | Shaded Pole | CWSE     | 7         |         |
| 1/15           | 1550 | 1      | 115     | 2.1       | <b>78</b>    | Shaded Pole | CWSE     | 8         | 2,3,150 |
| 1/15           | 1550 | 1      | 115     | 2.3       | <b>484</b>   | Shaded Pole | CCWSE    | 7         | 3       |
| 1/12~1/25      | 1050 | 2      | 115     | 4.0-1.6   | <b>97</b>    | Shaded Pole | CWSE     | 5         | 3,4     |
| 1/12           | 1550 | 1      | 115     | 2.6       | <b>46</b>    | Shaded Pole | CWSE     | 3         |         |
| 1/12           | 1550 | 1      | 208-230 | 1.3       | <b>472</b>   | Shaded Pole | CWSE     | 1         |         |
| 1/10           | 850  | 1      | 115     | 4.0       | <b>84</b>    | Shaded Pole | CWSE     | 1         | 250     |
| 1/10           | 850  | 1      | 115     | 4.0       | <b>85</b>    | Shaded Pole | CCWSE    | 1         | 250     |
| 1/10           | 850  | 1      | 230     | 2.2       | <b>309</b>   | Shaded Pole | CCWSE    | 1         | 250     |
| 1/10           | 1550 | 1      | 115     | 2.4       | <b>781</b>   | Shaded Pole | CCWSE    | 9         | 3       |

### Notes:

2. Ball Bearings
  3. Special OEM Replacement Motor (see pages 94-132)
  4. Supplied with Lead & Plug Assembly
100. 1/2" diameter shaft  
 150. Rated 50/60 HZ  
 250. Also 1/10 HP at 1050 RPM  
 272. 5/16" diameter shaft



### Approximate Dimensions

| Ref. | BM   | C    | N    | T   |
|------|------|------|------|-----|
| 1    | 4.00 | 6.54 | 2.54 | .56 |
| 2    | 4.00 | 7.67 | 3.67 |     |
| 3    | 3.50 | 6.04 | 2.54 | .58 |
| 4    | 4.92 | 7.92 | 3.00 | .40 |
| 5    | 4.00 | 6.92 | 2.92 |     |
| 6    | 4.09 | 6.45 | 2.36 |     |
| 7    | 3.00 | 5.54 | 2.54 | .56 |
| 8    | 4.42 | 6.92 | 2.50 | .64 |
| 9    | 3.60 | 5.33 | 1.73 |     |

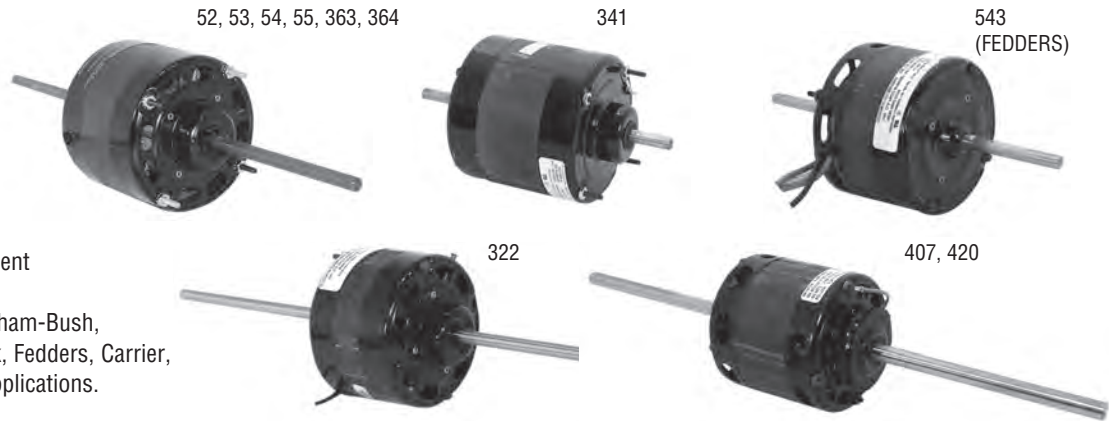
# 4-5/16" Diameter Stock Motors

## Fan Coil Units

### Features:

- Auto Protector
- Continuous Duty, Air Over
- Shaded Pole
- 60 Hz
- Direct Drive Blowers
- 341 for use on welding equipment

OEM replacement for Trane, Dunham-Bush, American Standard, Nesbitt, York, Fedders, Carrier, U.S. Air and other fan coil unit applications.



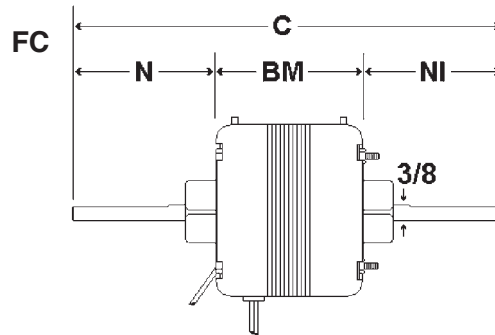
| HP                  | RPM  | Speeds | Volts   | Amps            | Stock Number | Dim Ref. | Notes |
|---------------------|------|--------|---------|-----------------|--------------|----------|-------|
| 1/25                | 1550 | 1      | 115     | 1.4             | 322          | 3        |       |
| 1/20                | 1050 | 1      | 115     | 1.8             | 54           | 1        |       |
| 1/20~1/30~1/40~1/60 | 1550 | 4      | 115     | 1.8-1.3-.95-.70 | 363          | 4        |       |
| 1/20~1/30~1/40~1/60 | 1550 | 4      | 115     | 1.8-1.3-.95-.70 | 364          | 5        | 100   |
| 1/15                | 1050 | 1      | 115     | 2.5             | 55           | 2        |       |
| 1/15                | 1550 | 1      | 115     | 2.2             | 52           | 1        |       |
| 1/15~1/20~1/25      | 1550 | 3      | 115     | 2.8-2.0-1.6     | 543          | 6        | 3     |
| 1/12                | 1550 | 1      | 115     | 2.6             | 53           | 7        |       |
| 1/10                | 1650 | 1      | 115/230 | 2.2/1.1         | 341          | 10       | 2     |
| 1/10~1/15~1/20      | 1550 | 3      | 115     | 3.3-2.4-1.7     | 420          | 8        | 7,100 |
| 1/6~1/9~1/12~1/15   | 1550 | 4      | 115     | 4.8-3.1-2.6-2.3 | 407          | 9        | 7,100 |

### Notes:

2. Ball Bearings
3. Special OEM Replacement Motor (see pages 94-132)
7. Resilient Mounting Rings Included
100. 1/2" diameter shaft

### Approximate Dimensions

| Ref. | BM   | FC    | N    | N1   |
|------|------|-------|------|------|
| 1    | 3.50 | 15.50 | 6.00 | 6.00 |
| 2    | 4.00 | 16.00 | 6.00 | 6.00 |
| 3    | 3.00 | 17.50 | 7.25 | 7.25 |
| 4    | 3.25 | 18.25 | 7.50 | 7.50 |
| 5    | 3.25 | 19.25 | 8.00 | 8.00 |
| 6    | 3.24 | 9.75  | 3.25 | 3.26 |
| 7    | 3.85 | 16.38 | 6.26 | 6.27 |
| 8    | 3.25 | 16.75 | 6.75 | 6.75 |
| 9    | 4.00 | 19.00 | 7.50 | 7.50 |
| 10   | 4.00 | 8.00  | 2.00 | 2.00 |



# 5" Diameter Stock Motors

## Refrigeration - Unit Heaters - Space Heaters, GE 21/29 Frame Replacements - Mechanically Reversible

### Features:

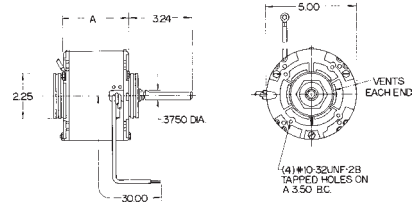
- Air Conditioners
- Base Mounting Available
- Commercial Condenser Units
- Continuous Duty, Air Over
- Designed for Easy Mechanical Reversing
- Drain Holes
- Extra Long 30" Leads
- Fits G.E. Base
- Mounting Rings Included
- Lead Exit on Shaft End
- For 1/2" Shaft Applications use Stock No 1306 Shaft Bushing
- Holes Provided for Conduit Connector
- Refrigeration Cabinets
- Replaces Most G.E. 21/29 Frame Motors
- Replaces Universal Stock 401-406
- Shaded Pole
- Sleeve Bearing



**STOCK NO. 2087A  
MOUNTING STUDS**  
10-32 X 1"  
4 per set  
(available separately)



- Thermally Protected
- Unit Cooler Fans & Blowers
- Unit Heaters
- 2-1/4" Mounting Rings Included
- 4 Tapped 10-32 Holes for Shaft End Mounting
- 60 Hz



| HP   | RPM  | Speeds | Volts       | Amps    | Stock Number | Shaft Dia. & Length | Rotation | "A" Dim. | Cross Reference | Base Number | Notes    |
|------|------|--------|-------------|---------|--------------|---------------------|----------|----------|-----------------|-------------|----------|
| 1/20 | 1050 | 1      | 115/230     | 2.8/1.4 | 604          | 3/8 x 3-1/4         | CWSE     | 4-1/4    | 2321 & 2322     | 1207        | 103      |
| 1/20 | 1550 | 1      | 115/230     | 2.4/1.2 | 610          | 3/8 x 3-1/4         | CWSE     | 4-1/4    | 2341 & 2342     | 1207        | 103      |
| 1/20 | 1550 | 1      | 115/230     | 2.4/1.2 | 611          | 3/8 x 3-1/4         | CCWSE    | 4-1/4    | 2331 & 2332     | 1207        | 103      |
| 1/15 | 1050 | 1      | 115/230     | 3.8/1.9 | 606          | 3/8 x 3-1/4         | CWSE     | 4-1/2    | 2223            |             | 103      |
| 1/15 | 1550 | 1      | 115/208-230 | 2.8/1.4 | 612A         | 3/8 x 3-1/4         | CWSE     | 4-1/2    | 2241 & 2242     |             | 103      |
| 1/15 | 1550 | 1      | 115/208-230 | 2.8/1.4 | 613A         | 3/8 x 3-1/4         | CCWSE    | 4-1/2    | 2231 & 2232     |             | 103      |
| 1/12 | 1050 | 1      | 115         | 1.8     | 9667         | 3/8 x 2             | Rev.     | 5-3/4    | 2928            |             | 6,70,118 |
| 1/12 | 1050 | 1      | 208-230     | 0.61    | 9669         | 3/8 x 2             | Rev.     | 5-3/4    | 2954            |             | 6,70,118 |
| 1/12 | 1550 | 1      | 115         | 1.6     | 9666         | 3/8 x 2             | Rev.     | 5-3/4    | 2927            |             | 6,70,118 |
| 1/12 | 1550 | 1      | 208-230     | 0.65    | 9668         | 3/8 x 2             | Rev.     | 5-3/4    | 2953            |             | 6,70,118 |
| 1/10 | 1050 | 1      | 115/230     | 4.6/2.3 | 608          | 3/8 x 3-1/4         | CWSE     | 4-3/4    | 2121 & 2122     | 2089        | 103      |
| 1/10 | 1050 | 1      | 115/230     | 4.6/2.3 | 609          | 3/8 x 3-1/4         | CCWSE    | 4-3/4    | 2113            | 2089        | 103      |
| 1/10 | 1550 | 1      | 115/230     | 4.4/2.2 | 614          | 3/8 x 3-1/4         | CWSE     | 4-3/4    | 2141 & 2142     | 2089        | 103      |
| 1/10 | 1550 | 1      | 115/230     | 4.4/2.2 | 615          | 3/8 x 3-1/4         | CCWSE    | 4-3/4    | 2131 & 2132     | 2089        | 103      |

Used on many popular commercial condensing units (Copeland, Tecumseh, Hussmann, Tyler, etc.) as well as unit cooler fans and blowers, refrigeration cabinets; also used on unit heaters, space heaters, remote air conditioners, blower units and other air moving applications. 4 ratings replace 21 of G.E.'s 21/29 frame designs.

### Features:

- All angle sleeve bearings
- Auto protector
- Base and mounting clamps included
- Grommeted lead exit
- Mounting rings included
- Mechanically reversible in the field
- Open enclosure
- Shaded pole
- UL and C.S.A. approved
- Lead exit on shaft end
- 3/8" shaft diameter, 1/2" adapter
- 2-1/4" rubber rings; base mounting
- 30" color coded leads
- 42 Frame (5.0" Dia.)
- 60 HZ

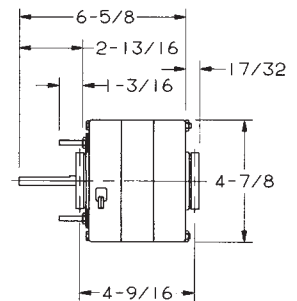


| HP   | RPM  | Voltage     | Amps    | Frame | Stock Number | Rotation | Notes |
|------|------|-------------|---------|-------|--------------|----------|-------|
| 1/10 | 1050 | 115/208-230 | 4.0/2.0 | 42Y   | RF6402       | CWSE     | 6,154 |
| 1/10 | 1050 | 115/208-230 | 4.0/2.0 | 42Y   | RF6403       | CCWSE    | 6,154 |
| 1/10 | 1550 | 115/208-230 | 4.0/2.0 | 42Y   | RF4400       | CWSE     | 6,154 |
| 1/10 | 1550 | 115/208-230 | 4.0/2.0 | 42Y   | RF4401       | CCWSE    | 6,154 |

### Notes:

- 6. 60/50 HZ
  - 70. Permanent Split Capacitor
  - 103. When using U.E. Base, add (2) 1221A Adapter Rings to EACH Mounting Ring
- Also see page 35 for G.E. 11 Frame Replacements

- 118. TEAO
- 154. Previous stock numbers with "X" suffix are as current models



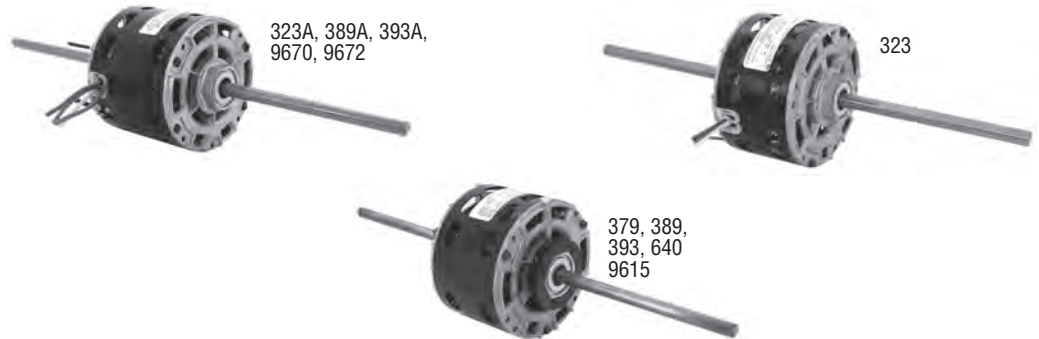
4 mounting bolts 3-1/2 dia. B.C.  
(Mounting Washers and Nuts Included)

# 5" Diameter Double Shaft Fan/Blower Motors Less Base

## Fan Coils - Dual Wheel Blower

### Features:

- Auto Protector
- 1/2" Dia. - Flatted Shafts
- 42 Frame (5.0 Dia.)
- 60 HZ only
- Open Construction
- 2-1/2" Dia. Rings
- Sleeve Bearing
- Shaded Pole
- 40° C Ambient



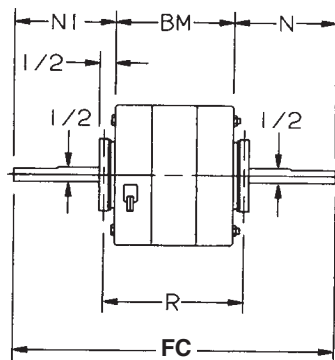
| HP                  | RPM  | Speeds | Volts   | Amps            | Stock Number | Rotation | Dim. Ref. | Notes   |
|---------------------|------|--------|---------|-----------------|--------------|----------|-----------|---------|
| <b>SHADED POLE</b>  |      |        |         |                 |              |          |           |         |
| 1/20~1/40~1/50      | 1050 | 3      | 115     | 2.6-1.5-1.0     | 9615         | CWLE     | 6         | 7,47    |
| 1/20~1/40~1/50      | 1050 | 3      | 115     | 2.6-1.5-1.0     | 640          | CWLE     | 6         | 7       |
| 1/15~1/20~1/30~1/50 | 1050 | 4      | 115     | 2.4-1.6-1.1-0.8 | 389          | CWLE     | 7         | 7       |
| 1/15~1/20~1/30~1/50 | 1050 | 4      | 115     | 2.4-1.6-1.1-0.8 | 389A         | CCWLE    | 1         | 6,24    |
| 1/15~1/20~1/30~1/50 | 1050 | 4      | 115     | 2.4-1.6-1.1-0.8 | 393          | CWLE     | 8         | 6,7,47  |
| 1/15~1/20~1/30~1/50 | 1050 | 4      | 115     | 2.4-1.6-1.1-0.8 | 393A         | CCWLE    | 2         | 6,24,47 |
| 1/15~1/25~1/40      | 1050 | 3      | 208-230 | 1.3-0.7-0.5     | 9670         | CCWLE    | 3         | 6,24    |
| 1/12~1/15~1/20      | 1050 | 3      | 115     | 4.0-2.7-2.3     | 9672         | CCWLE    | 5         | 24      |
| 1/12~1/15~1/20      | 1050 | 3      | 277     | 1.1-.80-.60     | 379          | CCWLE    | 9         | 7       |
| 1/12~1/20~1/30      | 1550 | 3      | 115     | 3.2-1.8-1.3     | 323          | CWLE     | 10        | 75      |
| 1/12~1/20~1/30      | 1550 | 3      | 115     | 3.2-1.8-1.3     | 323A         | CCWLE    | 4         | 24      |

### Notes:

- 6. 60/50 HZ
- 7. Resilient mounting, rings included
- 24. Mounting accessories packaged with motor
- 47. 3/8" Shaft
- 75. Mounting rings not included

### Approximate Dimensions

| Ref. | BM    | R             | FC     | N1       | N        |
|------|-------|---------------|--------|----------|----------|
| 1    | 3-1/2 | 4 - 5         | 25     | 10-1/2   | 11       |
| 2    | 3-1/2 | 4 - 5-1/8     | 20-1/2 | 8-1/2    | 8-1/2    |
| 3    | 3-1/4 | 3-3/4 - 4-3/4 | 24-3/4 | 10-1/2   | 11       |
| 4    | 3-1/4 | 3-3/4 - 4-3/4 | 17     | 6-7/8    | 6-7/8    |
| 5    | 3-1/4 | 3-3/4 - 4-3/4 | 20     | 8-1/4    | 8-1/4    |
| 6    | 3     | 3-1/2         | 17-5/8 | 7-5/16   | 7-5/16   |
| 7    | 3-1/2 | 4             | 24-7/8 | 10-11/16 | 10-11/16 |
| 8    | 3-1/2 | 4             | 19-7/8 | 8-3/16   | 8-3/16   |
| 9    | 3-1/2 | 4             | 17-3/4 | 7-1/8    | 7-1/8    |
| 10   | 3-1/4 |               | 17     | 6-7/8    | 6-7/8    |



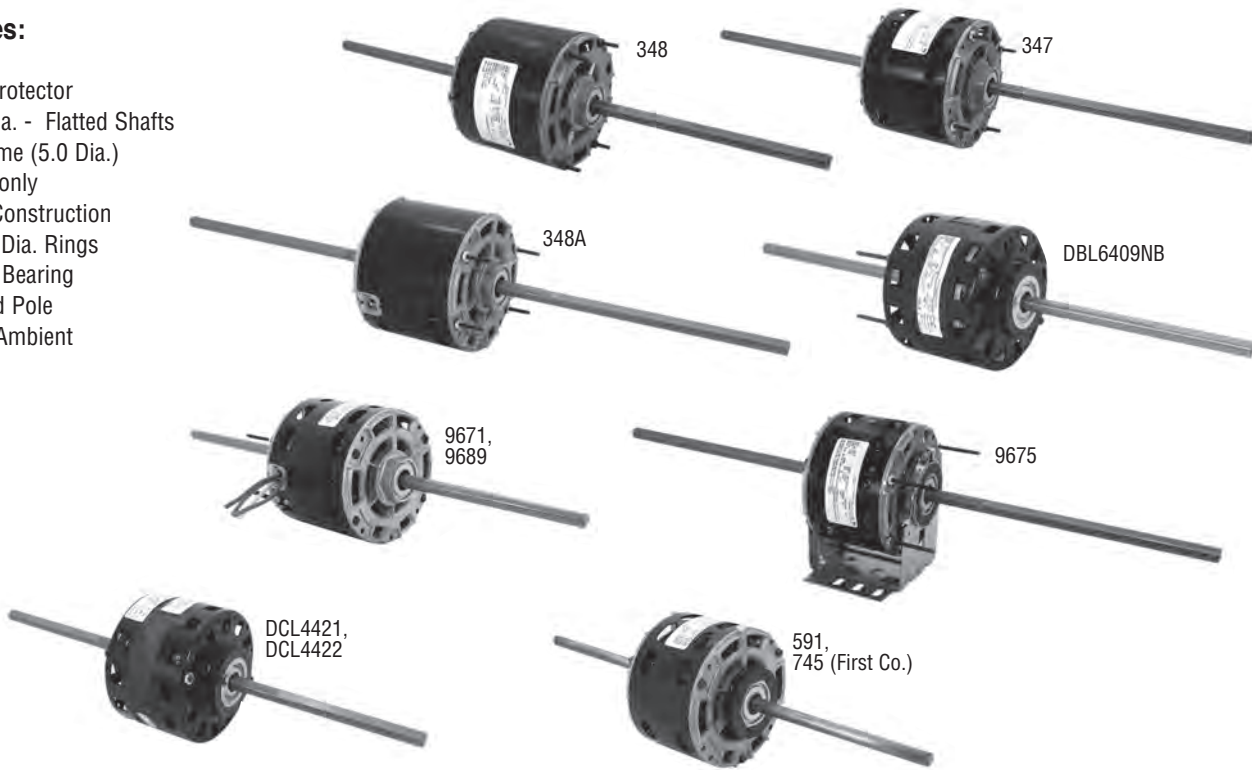


# 5" Diameter Double Shaft Fan/Blower Motors Less Base

## Fan Coils - Dual Wheel Blower

### Features:

- Auto Protector
- 1/2" Dia. - Flatted Shafts
- 42 Frame (5.0 Dia.)
- 60 HZ only
- Open Construction
- 2-1/2" Dia. Rings
- Sleeve Bearing
- Shaded Pole
- 40° C Ambient



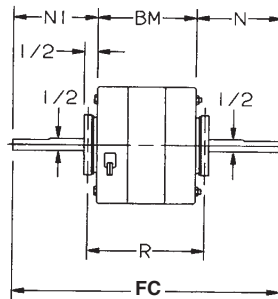
| HP                       | RPM  | Speeds | Volts   | Amps                | Stock Number | Rotation | Dim. Ref. | Notes   |
|--------------------------|------|--------|---------|---------------------|--------------|----------|-----------|---------|
| <b>SHADED POLE</b>       |      |        |         |                     |              |          |           |         |
| 1/10~1/20~1/30           | 1050 | 3      | 115     | 3.0-1.9-1.4         | 591          | CWLE     | 8         | 6,7     |
| 1/10~1/15~1/20~1/25~1/30 | 1050 | 5      | 115     | 3.5-2.8-2.2-1.9-1.6 | DBL6409NB    | CCWLE    | 1         | 24,349  |
| 1/10~1/12~1/15~1/20~1/25 | 1000 | 5      | 208-230 | 2.3-1.7-1.3-1.2-1.1 | 9689         | CCWLE    | 7         | 24      |
| 1/10~1/15~1/25           | 1550 | 3      | 115     | 3.5                 | DCL4421      | CCWLE    | 2         | 7,263   |
| 1/8~1/10~1/12            | 1500 | 3      | 115     | 5.5-4.8-3.0         | 9671         | CCWLE    | 9         | 6,24,47 |
| 1/8~1/12~1/20~1/30       | 1550 | 4      | 115     | 3.3-2.3-1.7-1.2     | 347          | CWLE     | 4         |         |
| 1/8~1/12~1/20~1/30       | 1550 | 4      | 115     | 3.3-2.3-1.7-1.2     | 9675         | CCWLE    | 4         | 81      |
| 1/6~1/8~1/10             | 1050 | 3      | 230     | 2.9-2.1-1.6         | 348          | CCWLE    | 5         |         |
| 1/6~1/8~1/10             | 1050 | 3      | 230     | 2.9-2.1-1.6         | 348A         | CCWLE    | 10        | 24      |
| 1/6~1/10~1/12~1/15       | 1550 | 4      | 115     | 4.0                 | DCL4422      | CCWLE    | 3         | 7,32    |
| 1/6~1/8~1/10~1/12        | 1550 | 4      | 120     | 5.0-3.3-2.9-2.4     | 745          | CCWLE    | 6         | 3,7     |

### Notes:

- 3. Special OEM Replacement Motor (see pages 94-132)
- 6. 60/50 HZ
- 7. Resilient mounting, rings included
- 24. Mounting accessories packaged with motor
- 32. 24" leads (minimum)
- 47. 3/8" Shaft
- 81. Includes base
- 263. 53" leads
- 349. 2-1/4" mounting rings

### Approximate Dimensions

| Ref. | BM     | R             | FC     | N1       | N        |
|------|--------|---------------|--------|----------|----------|
| 1    | 3-3/8  | 3-7/8 - 4-7/8 | 24     | 10-1/4   | 10-3/8   |
| 2    | 3-5/16 | 4-1/16        | 18     | 7-5/16   | 7-5/16   |
| 3    | 3-7/8  | 4-9/16        | 18-1/4 | 7-3/16   | 7-3/16   |
| 4    | 4      |               | 23-3/4 | 9-7/8    | 9-7/8    |
| 5    | 4-1/4  |               | 21-1/4 | 8-1/2    | 8-1/2    |
| 6    | 4-1/4  | 4-3/4         | 19-1/2 | 7-5/8    | 7-5/8    |
| 7    | 3-1/2  | 4 - 5-1/8     | 25-1/2 | 11       | 11       |
| 8    | 3-1/2  | 4             | 24-7/8 | 10-11/16 | 10-11/16 |
| 9    | 4      | 4-1/2 - 5-1/2 | 20-3/4 | 8-3/8    | 8-3/8    |
| 10   | 4-1/4  | 4-3/4 - 5-3/4 | 25-1/4 | 10-1/2   | 10-1/2   |

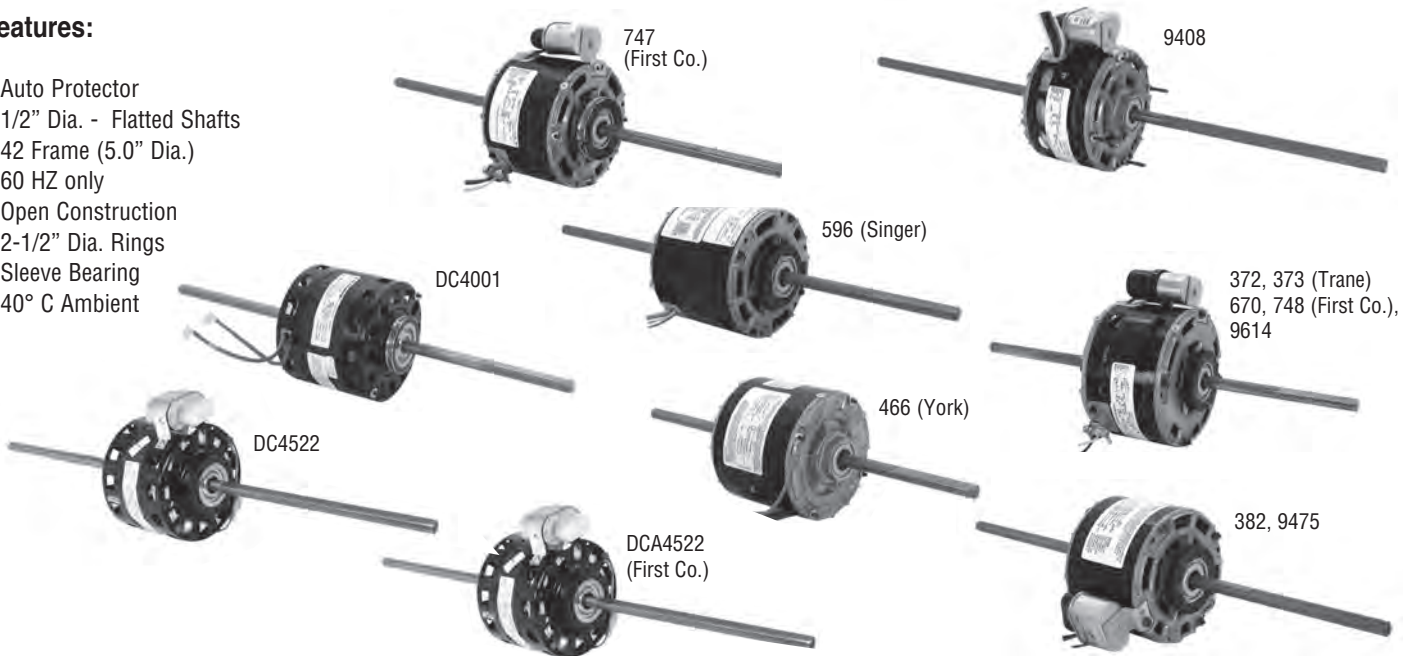


# 5" Diameter Double Shaft Fan/Blower Motors Less Base

## Fan Coils - Dual Wheel Blower

### Features:

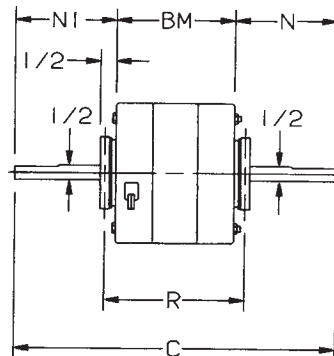
- Auto Protector
- 1/2" Dia. - Flatted Shafts
- 42 Frame (5.0" Dia.)
- 60 HZ only
- Open Construction
- 2-1/2" Dia. Rings
- Sleeve Bearing
- 40° C Ambient



| HP                               | RPM  | Speeds | Volts   | Amps            | Stock Number | Rotation | Capacitor | Dim. Ref. | Notes   |
|----------------------------------|------|--------|---------|-----------------|--------------|----------|-----------|-----------|---------|
| <b>PERMANENT SPLIT CAPACITOR</b> |      |        |         |                 |              |          |           |           |         |
| 1/30                             | 1100 | 2      | 115     | .60/.64         | 373          | CWLE     | Included  | 1         | 3,7     |
| 1/25                             | 1060 | 2      | 115     | .60/.64         | 372          | CWLE     | Included  | 2         | 3,7     |
| 1/25~1/40~1/50                   | 1625 | 3      | 115     | .73-.49-.37     | 382          | CWLE     | Included  | 3         | 7       |
| 1/8~1/12~1/14                    | 1075 | 3      | 277     | .83-.59-.49     | 596          | CCWLE    | 5MFD-370V | 7         | 3,7     |
| 1/8~1/10~1/15~1/20               | 1550 | 4      | 115     | 2.1-1.6-1.3-.9  | 9408         | CWLE     | Included  | 8         | 75      |
| 1/6~1/10~1/20                    | 1075 | 3      | 115     | 2.7-1.6-1.0     | 670          | CWLE     | Included  | 9         | 7       |
| 1/6~1/8~1/10~1/12                | 1550 | 4      | 120     | 3.7-1.9-1.7-1.4 | 748          | CCWLE    | Included  | 11        | 3,7     |
| 1/6~1/8~1/12                     | 1550 | 3      | 230     | 1.0-.7-.5       | 9475         | CCWLE    | Included  | 12        | 6       |
| 1/5~1/10                         | 1550 | 2      | 208-230 | 2.8             | DC4522       | CCWLE    | Included  | 5         | 7,94    |
| 1/5~1/10                         | 1550 | 2      | 208-230 | 2.8-1.3         | 9614         | CCWLE    | Included  | 12        | 7       |
| 1/5                              | 1550 | 3      | 208-230 | 1.9             | DCA4522      | CCWLE    | Included  | 13        | 3,7     |
| 1/4~1/8                          | 1075 | 2      | 208-230 | 1.4-1.2         | 466          | CWLE     | 5MFD-370V | 10        | 3,6,118 |
| 1/4~1/8                          | 1625 | 2      | 208-230 | 2.0-0.8         | 747          | CCWLE    | Included  | 12        | 3,7     |
| 1/3                              | 1625 | 1      | 208-230 | 2.3             | DC4001       | CCWLE    | 6MFD-370V | 6         | 283,349 |

### Notes:

- 3. Special OEM Replacement Motor (see pages 94-132)
- 6. 60/50 HZ
- 7. Resilient mounting, rings included
- 75. Mounting rings not included
- 94. 30" leads (minimum)
- 118. TEAO
- 283. 31" line leads, 5" capacitor leads
- 349. 2-1/4" mounting rings



### Approximate Dimensions

| Ref. | BM     | R       | FC       | N1/N    |
|------|--------|---------|----------|---------|
| 1    | 4-1/4  | 4-13/16 | 25-1/4   | 10-1/2  |
| 2    | 3-1/2  | 4-1/16  | 25-1/2   | 11      |
| 3    | 3-1/2  | 4-1/16  | 16-3/4   | 6-5/8   |
| 4    | 4-1/16 | 4-13/16 | 20-11/16 | 8-5/16  |
| 5    | 3-9/16 | 4-5/16  | 24       | 10-3/16 |
| 6    | 4-1/8  | 4-13/16 | 18-1/2   | 7-3/16  |
| 7    | 3-1/2  | 4-11/16 | 21-1/2   | 9       |
| 8    | 3-1/4  | 3-3/4   | 24       | 10-3/8  |
| 9    | 4-1/4  | 4-3/4   | 20-3/4   | 8-1/4   |
| 10   | 4-1/14 |         | 16-1/2   | 6-1/8   |
| 11   | 3-1/2  | 4-1/16  | 19-3/4   | 8-1/8   |
| 12   | 3-3/4  | 4-5/16  | 19-1/2   | 7-7/8   |
| 13   | 3-7/8  | 4-5/8   | 17       | 6-5/8   |

# 5" Diameter Double Shaft Fan/Blower Motors

## ECM Fan Coil Replacement Motor

### Features:

- Drop-in replacement
- Single phase
- Brushless DC
- 5 1/8" diameter
- 54" lead length



CS89

**Applications:** Fan Coils, Air Conditioners, Blowers, Shaded Pole, PSC Retrofit, Trane, Carrier, Amana, GE, Fan Coil & PTAC Units.

| HP   | RPM          | Speeds | Volts | Amps | Stock Number | Rotation | Shaft Dia. & Length | Notes |
|------|--------------|--------|-------|------|--------------|----------|---------------------|-------|
| 1/10 | 1100,900,700 | 3      | 120   | 1.5  | CS89         | CWLE     | 9.3 x 1/2" x 9.3    | New!  |

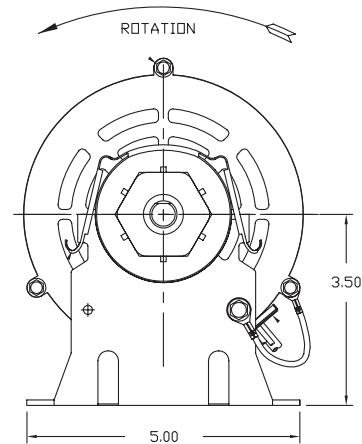
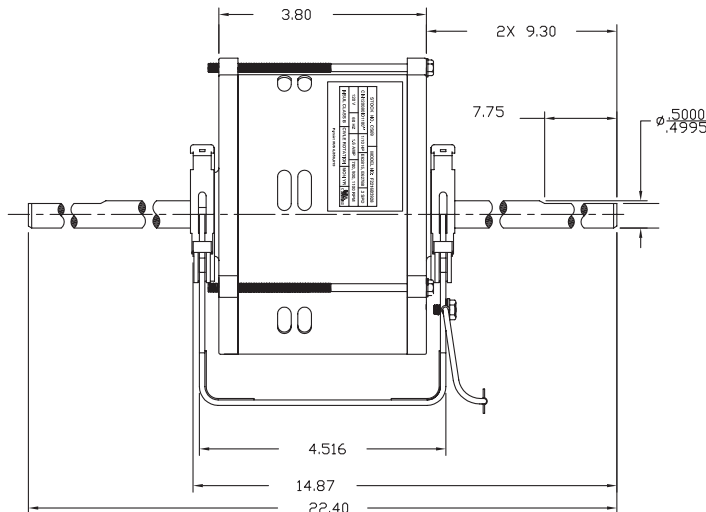
## Energy Saving Comparison

| Motor Reference | Amp  | Volts | Input Watts | Hours of Operation | kWh Per Day | kWh Per Year | Cost Per kWh | Annual cost to operate | % kWh Saved | Annual Savings |
|-----------------|------|-------|-------------|--------------------|-------------|--------------|--------------|------------------------|-------------|----------------|
| Shaded Pole     | 3.07 | 120   | 197.00      | 8                  | 1.58        | 575.24       | \$0.10       | \$57.52                |             |                |
| CS89 High       | 1.56 | 120   | 94.00       | 8                  | 0.75        | 274.48       | \$0.10       | \$27.45                | 52%         | \$30.08        |
| Shaded Pole     | 2.61 | 120   | 188.50      | 8                  | 1.51        | 550.42       | \$0.10       | \$55.04                |             |                |
| CS89 MED        | 0.86 | 120   | 49.00       | 8                  | 0.39        | 143.08       | \$0.10       | \$14.31                | 74%         | \$40.73        |
| Shaded Pole     | 2.14 | 120   | 151.90      | 8                  | 1.22        | 443.55       | \$0.10       | \$44.35                |             |                |
| CS89 LOW        | 0.55 | 120   | 30.00       | 8                  | 0.24        | 87.60        | \$0.10       | \$8.76                 | 80%         | \$35.59        |

kWh= KiloWatt hours

**Average Annual Savings: | 69% | \$106.40**

| Total Building Savings     | Single Unit Savings | (X) | Number of Units | (=)         |
|----------------------------|---------------------|-----|-----------------|-------------|
| CS89 Replacing Shaded Pole | \$106.40            |     | 95              | \$10,108.46 |

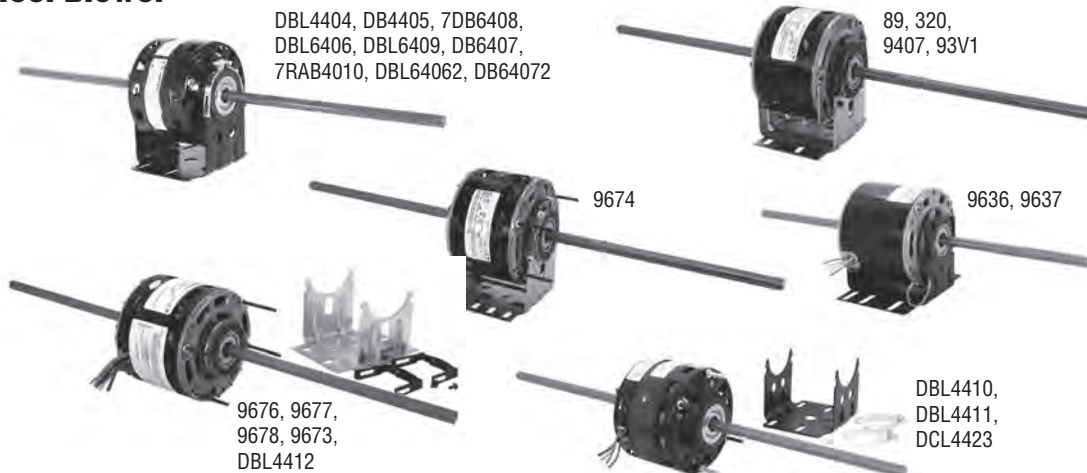


# 5" Diameter Double Shaft Fan/Blower Motors Resilient Base

## Fan Coils - Dual Wheel Blower

### Features:

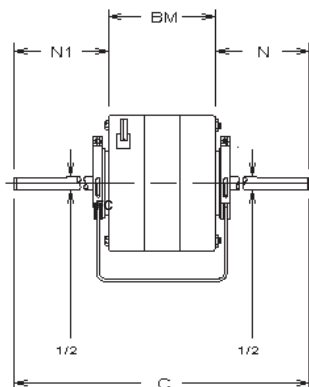
- Auto Protector
- Continuous Air Over
- Open Construction
- Resilient Base
- Sleeve Bearing
- 1/2" Dia.- Flatted Shafts
- 40° C Ambient
- 3-1/2" Shaft Height
- 60 HZ only
- 42 Frame (5.0" Dia.)



| HP                       | RPM  | Speeds | Volts   | Amps                | Stock Number    | Rotation | Dim. Ref. | Notes   |
|--------------------------|------|--------|---------|---------------------|-----------------|----------|-----------|---------|
| <b>SHADED POLE</b>       |      |        |         |                     |                 |          |           |         |
| 1/35~1/60~1/100~1/150    | 1050 | 4      | 115     | 2.0-1.1-.88-.67     | <b>9673</b>     | CCWLE    | 12        | 24      |
| 1/15~1/20~1/30~1/50      | 1050 | 4      | 115     | 2.4-1.6-1.1-0.8     | <b>9674</b>     | CWLE     | 6         | 6,47    |
| 1/15~1/25~1/40           | 1050 | 3      | 208-230 | 1.3-.71-.50         | <b>320</b>      | CWLE     | 5         | 6       |
| 1/10~1/15                | 1050 | 2      | 115     | 3.7-2.6             | <b>DBL64062</b> | CCWLE    | 9         | 294     |
| 1/10~1/15~1/20~1/25      | 1050 | 4      | 115     | 3.4-2.0-1.7-1.5     | <b>DBL6406</b>  | CCWLE    | 2         |         |
| 1/10~1/15~1/20~1/25~1/30 | 1050 | 5      | 115     | 3.5-2.8-2.2-1.9-1.6 | <b>DBL6409</b>  | CCWLE    | 3         |         |
| 1/10~1/20~1/30~1/40~1/70 | 1050 | 5      | 115     | 3.2-2.3-1.7-1.4-.96 | <b>93V1</b>     | CWLE     | 8         | 47,150  |
| 1/10~1/20~1/30~1/40~1/70 | 1050 | 5      | 115     | 3.2-2.3-1.7-1.4-.96 | <b>89</b>       | CWLE     | 7         | 6       |
| 1/10~1/15                | 1050 | 2      | 208-230 | 1.9                 | <b>DB64072</b>  | CCWLE    | 1         | 294     |
| 1/10~1/15~1/20~1/25      | 1050 | 4      | 208-230 | 1.6-0.9-0.8-0.7     | <b>DB6407</b>   | CCWLE    | 1         |         |
| 1/10~1/15~1/20~1/25      | 1050 | 4      | 277     | 1.3.08-.07-.06      | <b>7DB6408</b>  | CCWLE    | 1         |         |
| 1/10~1/15~1/20~1/25      | 1050 | 4      | 277     | 1.6-1.1-.83-.74     | <b>7RAB4010</b> | CCWLE    | 11        | 288,294 |
| 1/10~1/15~1/20           | 1550 | 3      | 115     | 3.5-1.7-1.4         | <b>DBL4404</b>  | CCWLE    | 1         |         |
| 1/10~1/15~1/20           | 1550 | 3      | 115     | 4.0-2.5-1.7         | <b>9407</b>     | CCWLE    | 4         |         |
| 1/10~1/12~1/20~1/25      | 1550 | 4      | 115     | 3.5-2.6-1.9-1.6     | <b>DBL4410</b>  | CCWLE    | 1         | 24      |
| 1/10~1/12~1/20~1/25      | 1550 | 4      | 115     | 3.5-2.6-1.9-1.6     | <b>DBL4411</b>  | CCWLE    | 1         | 24,47   |
| 1/10~1/15~1/20           | 1550 | 3      | 230     | 1.8-0.9-0.7         | <b>DB4405</b>   | CCWLE    | 2         |         |
| 1/10~1/12~1/15~1/20      | 1550 | 4      | 208-230 | 2.1-1.5-1.2-1.0     | <b>DBL4412</b>  | CCWLE    | 13        | 24,47   |
| 1/8~1/12~1/15~1/20       | 1050 | 4      | 115     | 4.4-3.0-2.3-2.1     | <b>9676</b>     | CCWLE    | 14        | 24      |
| 1/6~1/8                  | 1050 | 2      | 115     | 5.8-3.6             | <b>9636</b>     | CCWLE    | 10        |         |
| 1/6~1/10~1/12~1/15       | 1050 | 4      | 115     | 8.6-4.2-3.1-2.6     | <b>9677</b>     | CCWLE    | 10        | 24      |
| 1/6                      | 1050 | 2      | 230     | 2.9                 | <b>9637</b>     | CCWLE    | 10        |         |
| 1/6~1/10~1/12~1/15       | 1550 | 4      | 115     | 4.0-2.4-1.9-1.6     | <b>DCL4423</b>  | CCWLE    | 13        | 24      |
| 1/4~1/8~1/10~1/12        | 1050 | 4      | 115     | 8.5-4.7-3.8-3.4     | <b>9678</b>     | CCWLE    | 15        | 24      |

### Notes:

- 6. 60/50 HZ
- 24. Mounting accessories packaged with motor
- 47. 3/8" dia. shaft
- 150. Rated 50/60 HZ
- 288. 26" leads (minimum)
- 294. 2.6" shaft height



### Approximate Dimensions

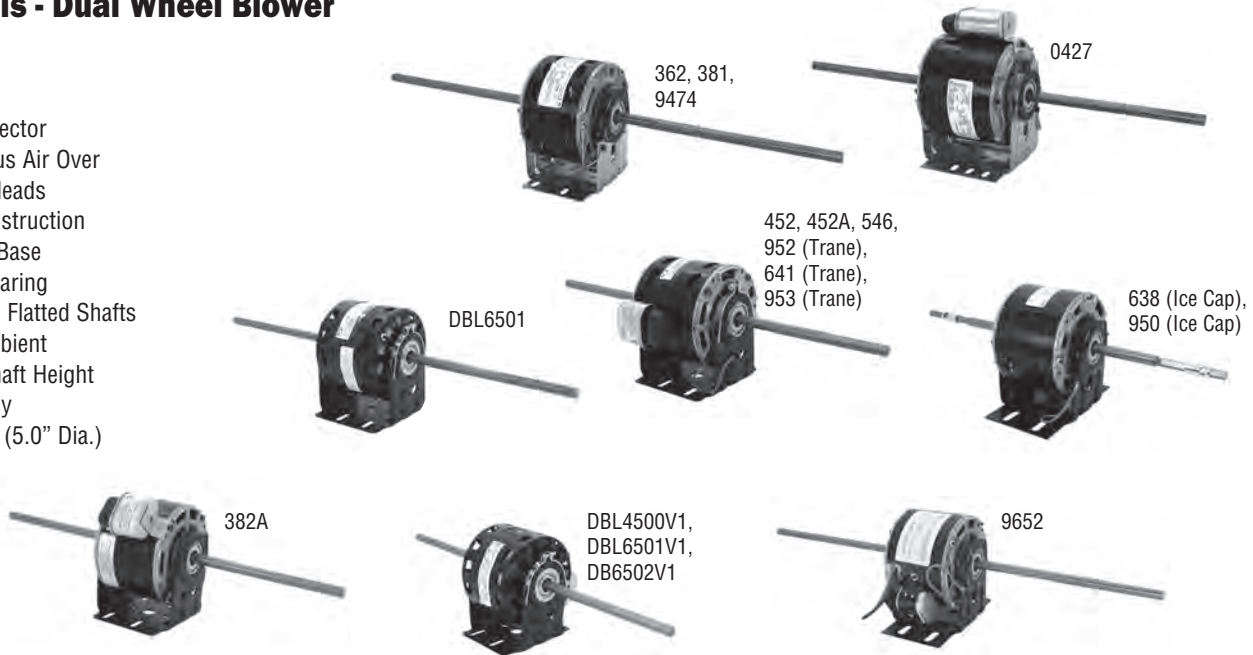
| Ref. | BM      | FC     | N1/N     |
|------|---------|--------|----------|
| 1    | 3-3/8   | 22     | 9-5/16   |
| 2    | 3-3/8   | 24     | 10-5/16  |
| 3    | 3-3/8   | 24     | 10-5/16  |
| 4    | 3-3/4   | 22-1/2 | 9-3/8    |
| 5    | 3-1/4   | 20-7/8 | 8-7/8    |
| 6    | 3-1/2   | 19-7/8 | 8-3/16   |
| 7    | 3-1/2   | 24-7/8 | 10-11/16 |
| 8    | 3-1/2   | 23-1/2 | 10       |
| 9    | 3-3/8   | 24     | 9-3/4    |
| 10   | 4-1/4   | 21-1/4 | 8-1/2    |
| 11   | 3-13/16 | 21-1/2 | 8-13/16  |
| 12   | 3-3/4   | 20-3/4 | 8-1/2    |
| 13   | 4       | 21     | 8-1/2    |
| 14   | 4       | 25     | 10-1/2   |
| 15   | 5-1/4   | 22-3/4 | 8-3/4    |

# 5" Diameter Double Shaft Fan/Blower Motors Resilient Base

## Fan Coils - Dual Wheel Blower

### Features:

- Auto Protector
- Continuous Air Over
- Min. 36" leads
- Open Construction
- Resilient Base
- Sleeve Bearing
- 1/2" Dia. - Flatted Shafts
- 40° C Ambient
- 3-1/2" Shaft Height
- 60 HZ only
- 42 Frame (5.0" Dia.)



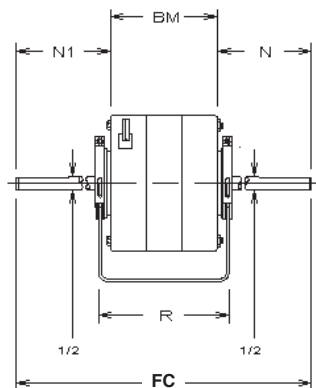
| HP                               | RPM  | Speeds | Volts   | Amps            | Stock Number | Rotation | Capacitor | Dim. Ref. | Notes    |
|----------------------------------|------|--------|---------|-----------------|--------------|----------|-----------|-----------|----------|
| <b>PERMANENT SPLIT CAPACITOR</b> |      |        |         |                 |              |          |           |           |          |
| 1/30~1/100~1/200                 | 1100 | 3      | 115     | .74-.31-.22     | 952          | CWLE     | Included  | 3         | 3        |
| 1/30~1/60~1/125                  | 1075 | 3      | 115     | .5-.4-.3        | 641          | CWLE     | Included  | 7         | 3,198    |
| 1/25~1/40~1/50                   | 1625 | 3      | 115     | .73-.49-.37     | 382A         | CWLE     | Included  | 4         |          |
| 1/20~1/30~1/50~1/75              | 1075 | 4      | 115     | .78-.55-.36-.27 | 546          | CWLE     | Included  | 6         |          |
| 1/20~1/25~1/35~1/50              | 1075 | 4      | 115     | .8-.62-.45-.38  | 452          | CWLE     | Included  | 6         | 47       |
| 1/20~1/25~1/35~1/50              | 1075 | 4      | 115     | .80-.62-.45-.38 | 452A         | CWLE     | Included  | 4         |          |
| 1/20~1/30                        | 1320 | 2      | 277     | .48-.38         | 0427         | CCWLE    | Included  | 8         |          |
| 1/15~1/45~1/60                   | 1100 | 3      | 115     | .8-.5-.35       | 953          | CWLE     | Included  | 9         | 3        |
| 1/15~1/20~1/25~1/35              | 1075 | 4      | 115     | 1.2-.8-.7-.6    | 9474         | CCWLE    | 5MFD-370V | 10        | 32       |
| 1/10~1/15~1/25~1/35              | 1075 | 4      | 115     | 1.7-1.3-.85-.62 | 362          | CWLE     | 5MFD-370V | 6         |          |
| 1/10~1/12~1/15~1/20              | 1075 | 4      | 115     | 1.7-1.6-0.9-0.8 | DBL6501      | CCWLE    | 5MFD-370V | 2         |          |
| 1/10~1/12~1/15~1/20              | 1075 | 4      | 115     | 1.7-1.6-0.9-0.8 | DBL6501V1    | CCWLE    | Included  | 1         |          |
| 1/10~1/15~1/20                   | 1075 | 3      | 208-230 | .81-.56-.44     | 381          | CWLE     | 5MFD-370V | 6         |          |
| 1/10~1/15~1/20~1/25              | 1075 | 4      | 208-230 | 0.7-0.5-0.4-0.3 | DB6502V1     | CCWLE    | Included  | 1         |          |
| 1/10~1/20~1/35                   | 1695 | 3      | 115     | .87-.7-.5       | 638          | CWLE     | 4MFD-370V | 11        | 3,47,284 |
| 1/10~1/12~1/15                   | 1625 | 3      | 115     | 1.3-1.0-.7      | DBL4500V1    | CCWLE    | Included  | 1         |          |
| 1/10~1/20~1/35                   | 1500 | 3      | 208-230 | .7-.5-.4        | 950          | CWLE     | 4MFD-370V | 11        | 3,284    |
| 1/10~1/20~1/35                   | 1500 | 3      | 208-230 | .7-.5-.4        | 9652         | CCWLE    | Included  | 5         | 284      |

### Notes:

- 3. Special OEM Replacement Motor (see pages 94-132)
- 32. 24" leads
- 47. 3/8" dia. shaft
- 198. Impedance protected
- 284. 31" leads

Continues on next page

### Approximate Dimensions



| Ref. | BM    | R     | FC     | N1       | N        |
|------|-------|-------|--------|----------|----------|
| 1    | 3-3/8 | 4-1/8 | 22     | 9-5/16   | 9-5/16   |
| 2    | 3-3/8 | 4-1/8 | 24     | 10-5/16  | 10-5/16  |
| 3    | 3-1/4 | 3-3/4 | 21     | 8-1/2    | 9-1/8    |
| 4    | 3-1/2 | 4     | 23     | 9-3/4    | 9-3/4    |
| 5    | 3-3/4 | 4-1/2 | 23-1/4 | 9-3/4    | 9-3/4    |
| 6    | 3-1/2 | 4     | 24-7/8 | 10-11/16 | 10-11/16 |
| 7    | 3-1/2 | 4     | 21     | 9        | 8-1/2    |
| 8    | 4-1/4 | 4-3/4 | 21     | 8-3/8    | 8-3/8    |
| 9    | 3-3/4 | 4-1/4 | 25-3/8 | 10-3/4   | 10-15/16 |
| 10   | 3-3/4 | 4-1/4 | 25-3/4 | 11       | 11       |
| 11   | 3-3/4 | 4-1/4 | 16-3/4 | 6-1/2    | 6-1/2    |

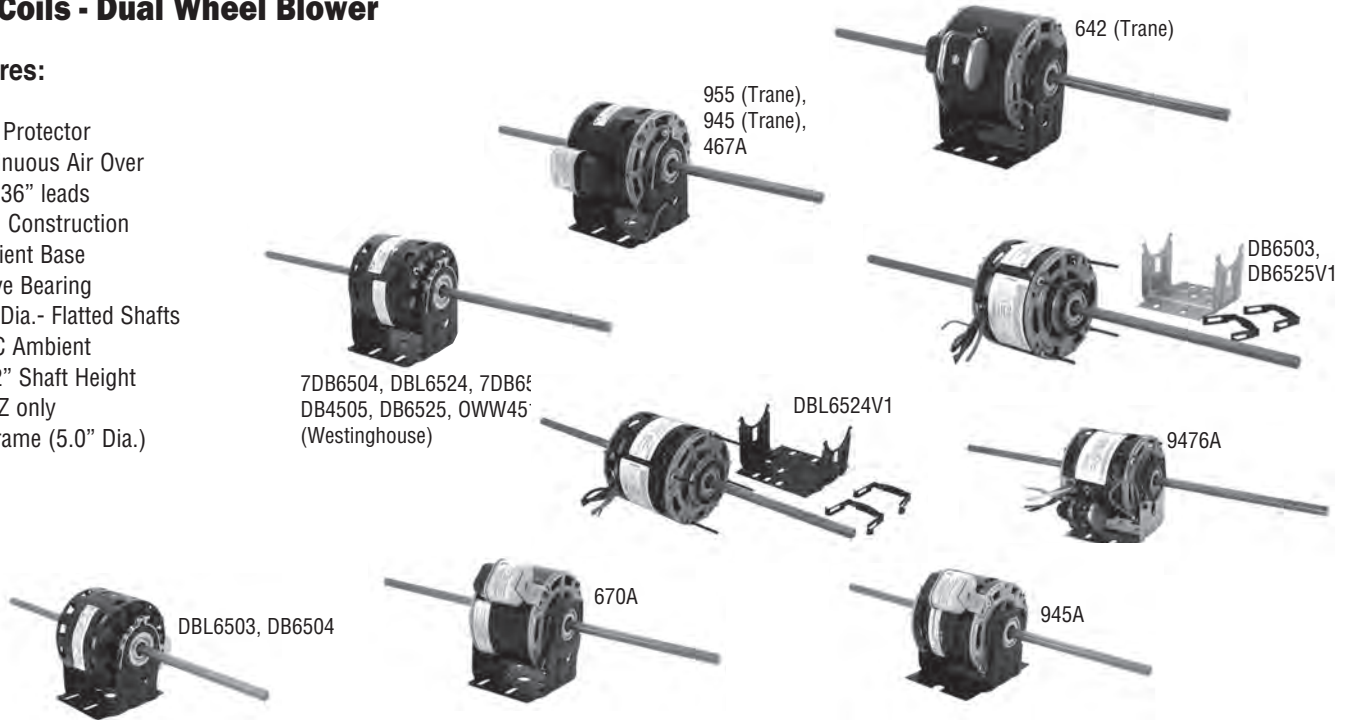


# 5" Diameter Double Shaft Fan/Blower Motors Resilient Base

## Fan Coils - Dual Wheel Blower

### Features:

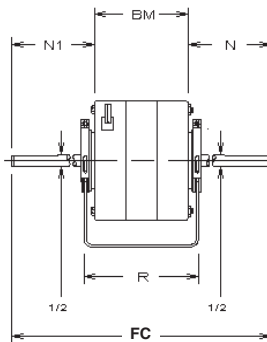
- Auto Protector
- Continuous Air Over
- Min. 36" leads
- Open Construction
- Resilient Base
- Sleeve Bearing
- 1/2" Dia. - Flatted Shafts
- 40° C Ambient
- 3-1/2" Shaft Height
- 60 HZ only
- 42 Frame (5.0" Dia.)



| HP                               | RPM  | Speeds | Volts   | Amps            | Stock Number     | Rotation | Capacitor   | Dim. Ref. | Notes     |
|----------------------------------|------|--------|---------|-----------------|------------------|----------|-------------|-----------|-----------|
| <b>PERMANENT SPLIT CAPACITOR</b> |      |        |         |                 |                  |          |             |           |           |
| 1/8~1/10~1/15                    | 1075 | 3      | 115     | 2.4-1.4-.92     | <b>DBL6503</b>   | CCWLE    | Included    | 12        | 302       |
| 1/8~1/10~1/12~1/15               | 1075 | 4      | 208-230 | 1.2-.81-.68-.55 | <b>DB6503</b>    | CCWLE    | 5MFD-370V   | 3         | 288       |
| 1/8~1/10~1/12                    | 1075 | 3      | 277     | 0.8-0.7-0.5     | <b>7DB6503</b>   | CCWLE    | 5MFD-370V   | 1         |           |
| 1/8~1/20~1/30                    | 1500 | 3      | 115     | 1.2-.7-.4       | <b>945</b>       | CWLE     | Included    | 13        | 3         |
| 1/8~1/20~1/30                    | 1500 | 3      | 115     | 1.2-0.7-0.4     | <b>945A</b>      | CCWLE    | Included    | 9         |           |
| 1/6~1/10~1/20                    | 1075 | 3      | 115     | 2.7-1.6-1.0     | <b>670A</b>      | CWLE     | Included    | 11        |           |
| 1/6~1/8~1/10                     | 1075 | 3      | 208-230 | 1.4-1.2-.81     | <b>DB6504</b>    | CCWLE    | Included    | 9         | 150,302   |
| 1/6~1/8~1/10                     | 1075 | 3      | 277     | 0.9-0.7-0.5     | <b>7DB6504</b>   | CCWLE    | 5MFD-370V   | 1         |           |
| 1/6~1/12~1/20                    | 1500 | 3      | 115     | 2.0-1.1-.7      | <b>955</b>       | CWLE     | Included    | 8         | 3         |
| 1/6~1/8~1/10~1/15                | 1625 | 4      | 115     | 2.2-1.6-1.1-0.9 | <b>9476A</b>     | CCWLE    | Included    | 10        | 288       |
| 1/5~1/10~1/20                    | 1500 | 3      | 230     | 1.5             | <b>DB4505</b>    | CCWLE    | 5MFD-370V   | 1         |           |
| 1/5~1/8~1/10                     | 1625 | 3      | 208-230 | 1.0-.76-.61     | <b>467A</b>      | CCWLE    | Included    | 6         | 3         |
| 1/4~1/6~1/10                     | 1050 | 3      | 115     | 5.6             | <b>DBL6524</b>   | CCWLE    | 7.5MFD-370V | 4         |           |
| 1/4~1/6~1/8~1/10                 | 1075 | 4      | 115     | 4.1-2.7-2.2-1.8 | <b>DBL6524V1</b> | CCWLE    | 7.5MFD-370V | 2         | 288       |
| 1/4~1/6~1/10                     | 1075 | 3      | 208-230 | 2.0             | <b>DB6525</b>    | CCWLE    | 7.5MFD-370V | 4         |           |
| 1/4~1/6~1/8~1/10                 | 1075 | 4      | 208-230 | 1.6-1.2-.90-.71 | <b>DB6525V1</b>  | CCWLE    | 7.5MFD-370V | 2         | 288       |
| 1/4~1/8~1/20                     | 1475 | 3      | 277     | 1.1-1.0-0.7     | <b>642</b>       | CWLE     | Included    | 7         | 3         |
| 1/3                              | 1625 | 1      | 208-230 | 2.3             | <b>OWW4517</b>   | CCWLE    | 6MFD-370V   | 5         | 3,150,287 |

### Notes:

- 3. Special OEM Replacement Motor (see pages 94-132)
- 150. Rated 50/60 HZ
- 287. 3" shaft height
- 288. 26" leads
- 302. 11" leads (minimum)



### Approximate Dimensions

| Ref. | BM     | FC      | N1     | N      |
|------|--------|---------|--------|--------|
| 1    | 3-3/8  | 22      | 9-5/16 | 9-5/16 |
| 2    | 4-3/4  | 21-3/4  | 8-1/2  | 8-1/2  |
| 3    | 3-1/2  | 24-1/2  | 10-1/2 | 10-1/2 |
| 4    | 4-1/16 | 24      | 10     | 10     |
| 5    | 4-1/16 | 18-7/16 | 7-3/16 | 7-3/16 |
| 6    | 4      | 23-1/4  | 9-5/8  | 9-5/8  |
| 7    | 3-3/8  | 20      | 8      | 8      |
| 8    | 3-1/2  | 24-7/8  | 10-3/8 | 10-3/8 |
| 9    | 4      | 23-1/2  | 9-3/4  | 9-3/4  |
| 10   | 4-1/2  | 24      | 9-3/4  | 9-3/4  |
| 11   | 4-1/4  | 22-3/4  | 9-1/4  | 9-1/4  |
| 12   | 3-1/2  | 23-1/8  | 9-3/4  | 9-3/4  |
| 13   | 4      | 20-1/2  | 7-1/2  | 9      |

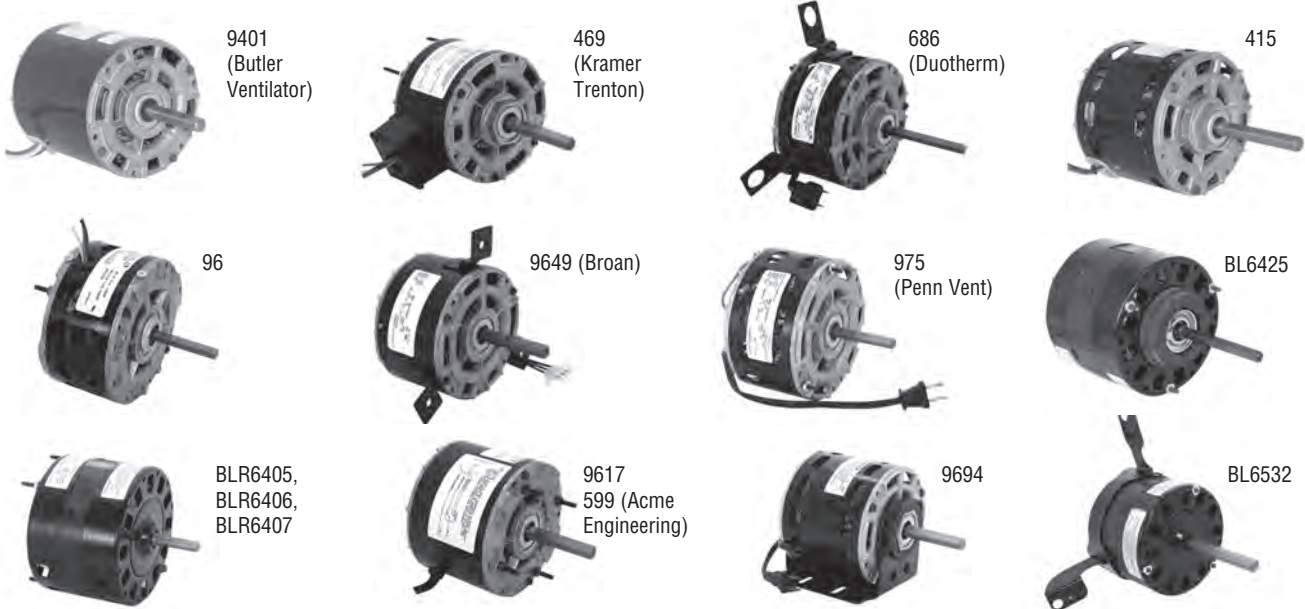
# 5" Diameter Single Shaft Open Fan/Blower Motors

## Furnace Blowers - Attic Ventilators - Air Handlers - Fan Coils

### Features:

- Continuous Duty, Air Over • Shaded Pole • 60 Hz • Auto Protector • 40°C Ambient

OEM replacement for: Intertherm, Triangle Engineering, Butler Ventimatic, Tuttle & Bailey, Leigh Products, Nutone, Kool-O-Matic, Luxaire, Duotherm, Lennox, Coleman, Lear Siegler, Bryant, Janitrol, Westinghouse, American Standard, Miller, Johnson, Preway, etc.



| HP             | RPM  | Speeds | Volts   | Amps        | Stock Number | Bearings | Rotation | Dim. Ref. | Notes        |
|----------------|------|--------|---------|-------------|--------------|----------|----------|-----------|--------------|
| 1/20           | 1045 | 1      | 115     | 2.3         | 975          | Sleeve   | CCWLE    | 1         | 3,4,26,47    |
| 1/15           | 1000 | 1      | 115     | 3.2         | 686          | Sleeve   | CCWLE    | 2         | 3,4,47       |
| 1/15           | 1000 | 1      | 115     | 3.2         | 9694         | Sleeve   | CCWLE    | 10        | 81           |
| 1/15           | 1050 | 1      | 115     | 2.8         | BLR6407      | Sleeve   | CCWLE    | 9         | 41,47,357    |
| 1/15~1/25      | 1050 | 2      | 115     | 3.5-1.8     | BLR6405      | Sleeve   | CCWLE    | 9         | 41,47,357    |
| 1/15~1/30      | 1050 | 2      | 115     | 3.0-1.4     | 96           | Sleeve   | CCWLE    | 3         | 41,47,358    |
| 1/12           | 1050 | 1      | 115     | 2.9         | 9649         | Sleeve   | CCWLE    | 5         | 3,77         |
| 1/12           | 1050 | 1      | 115     | 2.5         | 415          | Ball     | CCWLE    | 4         | 41,47        |
| 1/12           | 1050 | 1      | 115/230 | 2.7/1.3     | 469          | Sleeve   | CCWLE    | 4         | 3,41,100,358 |
| 1/10           | 1050 | 1      | 115     | 3.4         | 9401         | Sleeve   | CCWLE    | 5         | 3,100        |
| 1/10           | 1050 | 1      | 115     | 4.3         | 9617         | Sleeve   | CCWLE    | 6         | 27,100,359   |
| 1/10           | 1050 | 1      | 115     | 4.0         | BLR6406      | Sleeve   | CCWLE    | 12        | 41,47,357    |
| 1/10~1/12~1/15 | 1050 | 3      | 115     | 3.2         | BL6425       | Sleeve   | CCWLE    | 8         | 22,26,47,58  |
| 1/10~1/12~1/15 | 1050 | 3      | 115     | 3.2-2.6-2.0 | BL6532       | Sleeve   | CCWLE    | 11        |              |
| 1/10~1/20~1/30 | 1550 | 3      | 115     | 3.0-1.7-1.0 | 599          | Ball     | CWLE     | 7         | 3,26,100,359 |

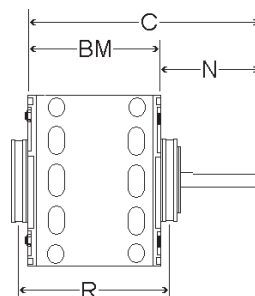
### Notes:

3. Special OEM Replacement Motor (see pages 94-132)
4. Supplied with lead & plug assembly
22. 3 thru bolts, 4.42 dia. bolt circle
26. Extended thru bolts, shaft end only
27. Extended thru bolts, both ends
41. Extended thru bolts, lead end only
47. 3/8" flattened shaft
58. Supplied with resilient mounting rings
77. Molex terminal plug
81. Includes base
100. 1/2" diameter shaft
357. 4 thru bolts, on 4.42" dia. bolt circle
358. 4 thru bolts, on 4.62" dia. bolt circle
359. 4 studs with spacer and nut on a 3.87" dia. bolt circle

Continues on next page

### Approximate Dimensions

| Ref. | BM   | C    | N    | R    |
|------|------|------|------|------|
| 1    | 3.00 | 5.25 | 2.25 |      |
| 2    | 3.00 | 6.71 | 3.71 |      |
| 3    | 2.75 | 5.09 | 2.34 |      |
| 4    | 3.50 | 6.83 | 3.33 |      |
| 5    | 3.25 | 5.96 | 2.71 |      |
| 6    | 3.00 | 7.50 | 4.50 |      |
| 7    | 3.75 | 6.34 | 2.59 |      |
| 8    | 3.84 | 7.71 | 3.87 | 4.40 |
| 9    | 3.34 | 5.22 | 1.88 |      |
| 10   | 3.50 | 7.21 | 3.71 |      |
| 11   | 3.84 | 8.84 | 5.00 |      |
| 12   | 3.84 | 6.00 | 1.88 |      |



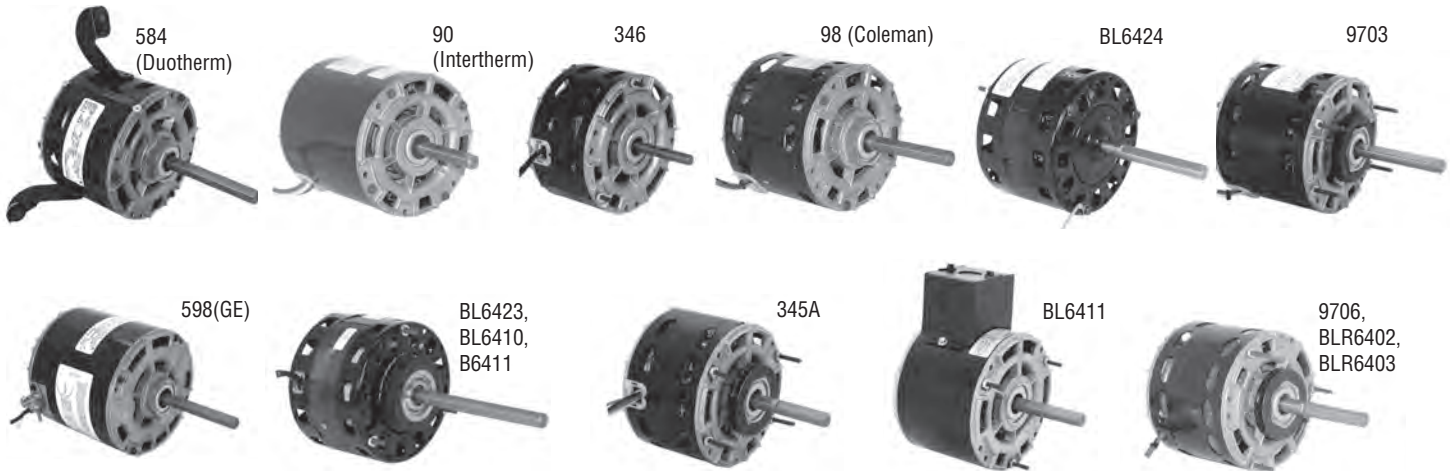
# 5" Diameter Single Shaft Open Fan/Blower Motors

## Furnace Blowers - Attic Ventilators - Air Handlers - Fan Coils

### Features:

- Continuous Duty, Air Over • Shaded Pole • 60 Hz • Auto Protector • 40°C Ambient • 1/2" Dia. Flatted Shaft

OEM replacement for: Intertherm, Triangle Engineering, Butler Ventimatic, Tuttle & Bailey, Leigh Products, Nutone, Kool-O-Matic, Luxaire, Duotherm, Lennox, Coleman, Lear Siegler, Bryant, Janitrol, Westinghouse, American Standard, Miller, Johnson, Preway, etc.



| HP            | RPM  | Speeds | Volts   | Amps        | Stock Number   | Bearings | Rotation | Dim. Ref. | Notes       |
|---------------|------|--------|---------|-------------|----------------|----------|----------|-----------|-------------|
| 1/8           | 1050 | 1      | 115     | 4.2         | <b>584</b>     | Sleeve   | CCWLE    | 1         | 3           |
| 1/8           | 1050 | 1      | 115     | 5.2         | <b>BL6410</b>  | Sleeve   | CCWLE    | 8         | 7,22,26     |
| 1/8           | 1050 | 1      | 115     | 5.2         | <b>BLR6403</b> | Sleeve   | CCWLE    | 8         | 7,22,26     |
| 1/8           | 1050 | 1      | 115     | 5.2         | <b>9706</b>    | Sleeve   | CCWLE    | 10        | 7,26        |
| 1/8~1/11      | 1050 | 2      | 115     | 5.0         | <b>BL6423</b>  | Sleeve   | CCWLE    | 6         | 7,26,57,347 |
| 1/8~1/11      | 1050 | 2      | 115     | 5.0         | <b>BL6424</b>  | Sleeve   | CCWLE    | 7         | 22,41,57    |
| 1/8~1/10      | 1050 | 2      | 115     | 5.2-3.5     | <b>90</b>      | Sleeve   | CCWLE    | 2         | 3,4         |
| 1/8~1/10      | 1050 | 2      | 115     | 4.8-3.3     | <b>346</b>     | Sleeve   | CCWLE    | 3         | 57          |
| 1/8~1/10~1/12 | 1050 | 3      | 115     | 5.1-3.5-3.0 | <b>98</b>      | Sleeve   | CCWLE    | 4         | 3,57        |
| 1/8~1/10~1/12 | 1050 | 3      | 115     | 5.1-3.5-3.0 | <b>9703</b>    | Sleeve   | CCWLE    | 9         | 7,26        |
| 1/8           | 1050 | 1      | 208-230 | 2.6         | <b>B6411</b>   | Sleeve   | CCWLE    | 8         | 7,22,26     |
| 1/8           | 1550 | 1      | 230     | 1.9         | <b>598</b>     | Sleeve   | CCWLE    | 5         | 3           |
| 1/6           | 1000 | 1      | 115     | 5.7         | <b>BL6411</b>  | Sleeve   | CCWLE    | 12        | 347         |
| 1/6           | 1050 | 1      | 115     | 5.5         | <b>BLR6402</b> | Sleeve   | CCWLE    | 11        | 7,26        |
| 1/6           | 1050 | 1      | 115     | 7.0         | <b>345A</b>    | Sleeve   | CCWLE    | 13        | 7,26        |

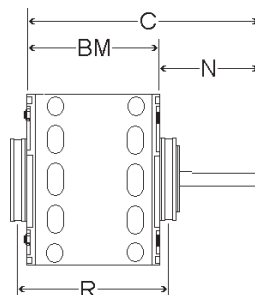
### Notes:

3. Special OEM Replacement Motor (see pages 94-132)
4. Supplied with Lead & Plug Assembly
7. Resilient mounting rings included
22. 3 thru Bolts, 4.42 dia. Bolt Circle
26. Extended thru bolts, shaft end only
41. Extended thru bolts, lead end only
57. Tapped holes for Coleman mount
347. 3 thru bolts, 4.62 dia. bolt circle

Continues on next page

### Approximate Dimensions

| Ref. | BM   | C    | N    | R    |
|------|------|------|------|------|
| 1    | 3.75 | 7.83 | 4.08 |      |
| 2    | 3.75 | 7.46 | 3.71 |      |
| 3    | 4.00 | 8.46 | 4.46 |      |
| 4    | 4.25 | 7.96 | 3.71 |      |
| 5    | 4.25 | 7.33 | 3.08 |      |
| 6    | 3.34 | 7.13 | 3.80 | 4.00 |
| 7    | 3.90 | 7.67 | 3.77 |      |
| 8    | 3.34 | 8.88 | 5.54 | 3.88 |
| 9    | 4.25 | 7.96 | 3.71 | 4.81 |
| 10   | 4.25 | 8.75 | 4.50 | 4.81 |
| 11   | 3.84 | 7.92 | 3.54 | 4.58 |
| 12   | 4.00 | 6.50 | 2.50 |      |
| 13   | 4.00 | 7.71 | 3.71 | 4.47 |



# 5" Diameter Single Shaft Open Fan/Blower Motors

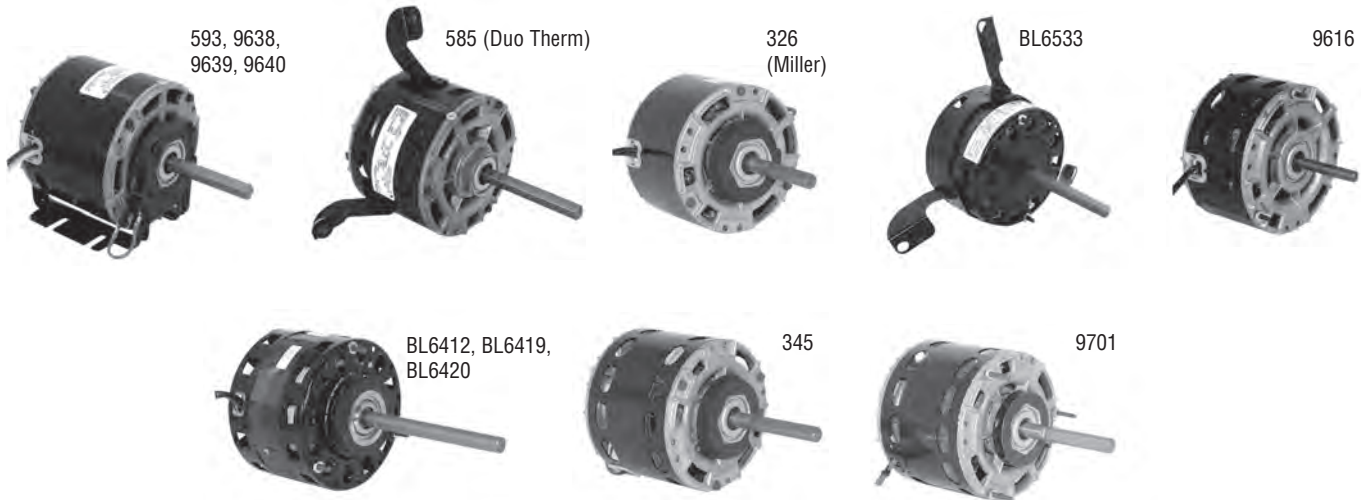
Continued from previous page

## Furnace Blowers - Attic Ventilators - Air Handlers - Fan Coils

### Features:

- Continuous Duty, Air Over • Shaded Pole • 60 Hz • Auto Protector • 40°C Ambient • 1/2" Flatted Shaft

OEM replacement for: Intertherm, Triangle Engineering, Butler Ventimatic, Tuttle & Bailey, Leigh Products, Nutone, Kool-O-Matic, Luxaire, Duotherm, Lennox, Coleman, Lear Siegler, Bryant, Janitrol, Westinghouse, American Standard, Miller, Johnson, Preway, etc.

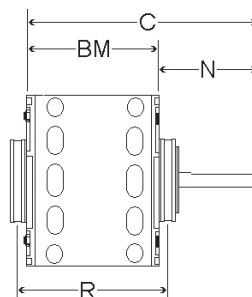


| HP                | RPM  | Speeds | Volts   | Amps        | Stock Number | Bearings | Rotation | Dim. Ref. | Notes   |
|-------------------|------|--------|---------|-------------|--------------|----------|----------|-----------|---------|
| 1/10              | 1550 | 1      | 115     | 5.0         | 9639         | Sleeve   | CWLE     | 5         | 81      |
| 1/10              | 1550 | 1      | 230     | 2.9         | 9638         | Sleeve   | CWLE     | 5         | 81      |
| 1/7               | 1050 | 1      | 115     | 5.2         | 326          | Sleeve   | CCWLE    | 1         | 3,4,7   |
| 1/6               | 1050 | 1      | 115     | 7.0         | 345          | Sleeve   | CCWLE    | 2         | 7       |
| 1/6               | 1050 | 1      | 115     | 7.9         | 585          | Sleeve   | CCWLE    | 3         | 3       |
| 1/6               | 1050 | 1      | 115     | 5.5         | BL6412       | Sleeve   | CCWLE    | 6         | 7,22,26 |
| 1/6~1/9           | 1050 | 2      | 115     | 5.6         | BL6420       | Sleeve   | CCWLE    | 7         | 7,22,26 |
| 1/6~1/12~1/15     | 1050 | 3      | 115     | 5.3-2.8-2.2 | BL6533       | Sleeve   | CCWLE    | 8         |         |
| 1/6~1/8~1/10      | 1050 | 3      | 115     | 6.3-3.7-3.0 | 9701         | Sleeve   | CCWLE    | 9         | 7,26    |
| 1/6~1/8~1/10~1/12 | 1050 | 4      | 115     | 5.5         | BL6419       | Sleeve   | CCWLE    | 7         | 7,22,26 |
| 1/6               | 1550 | 1      | 115     | 6.4         | 9640         | Sleeve   | CWLE     | 5         | 81      |
| 1/6               | 1550 | 1      | 115     | 7.1         | 9616         | Sleeve   | CCWLE    | 4         | 41      |
| 1/6               | 1550 | 1      | 208-230 | 3.2         | 593          | Sleeve   | CWLE     | 5         | 81      |

### Notes:

- Special OEM Replacement Motor (see pages 94-132)
- Supplied with Lead & Plug Assembly
- Resilient Mounting Rings Included
- 3 Thru Bolts, 4.42 dia. Bolt Circle
- Extended thru bolts, shaft end only
- Extended thru bolts, lead end only
- Includes base

Continues on next page



### Approximate Dimensions

| Ref. | BM   | C    | N    | R    |
|------|------|------|------|------|
| 1    | 3.50 | 6.96 | 3.46 | 4.33 |
| 2    | 4.00 | 7.71 | 3.71 | 4.47 |
| 3    | 4.25 | 8.21 | 3.96 |      |
| 4    | 4.50 | 6.80 | 2.30 |      |
| 5    | 4.00 | 7.33 | 3.33 |      |
| 6    | 3.84 | 7.50 | 3.66 | 4.58 |
| 7    | 3.84 | 8.25 | 4.41 | 4.40 |
| 8    | 3.84 | 8.74 | 4.62 |      |
| 9    | 4.09 | 8.59 | 4.50 | 4.58 |



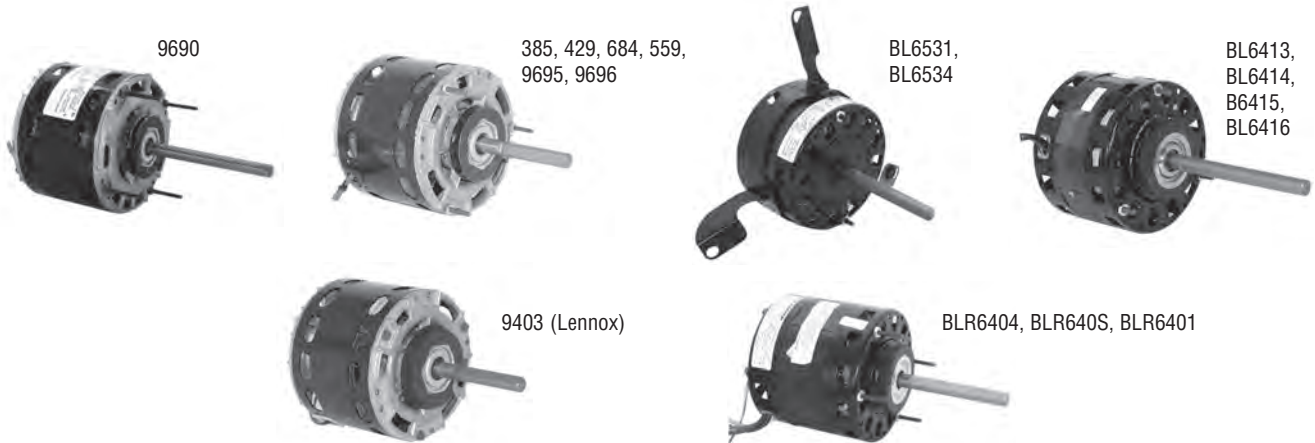
## 5" Diameter Single Shaft Open Fan/Blower Motors

### Furnace Blowers - Attic Ventilators - Air Handlers - Fan Coils

#### Features:

- Continuous Duty, Air Over • Shaded Pole • 60 Hz • Auto Protector • 40°C Ambient
- 1/2" Flatted Shaft

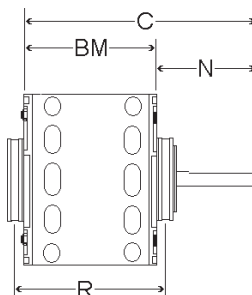
OEM replacement for: Intertherm, Triangle Engineering, Butler Ventimatic, Tuttle & Bailey, Leigh Products, Nutone, Kool-O-Matic, Luxaire, Duotherm, Lennox, Coleman, Lear Siegler, Bryant, Janitrol, Westinghouse, American Standard, Miller, Johnson, Preway, etc.



| HP                | RPM  | Speeds | Volts   | Amps            | Stock Number | Bearings | Rotation | Dim. Ref. | Notes    |
|-------------------|------|--------|---------|-----------------|--------------|----------|----------|-----------|----------|
| 1/5               | 1050 | 1      | 115     | 6.7             | 9690         | Sleeve   | CCWLE    | 9         | 7,26     |
| 1/5               | 1050 | 1      | 115     | 6.0             | BL6413       | Sleeve   | CCWLE    | 6         | 7,22,26  |
| 1/5~1/8           | 1050 | 2      | 115     | 6.8-4.2         | 684          | Sleeve   | CCWLE    | 2         | 7,26,123 |
| 1/5~1/6~1/8       | 1050 | 3      | 115     | 6.8-5.3-4.2     | 385          | Sleeve   | CCWLE    | 3         | 7,26     |
| 1/5~1/6~1/8       | 1050 | 3      | 115     | 6.8-5.3-4.2     | 9695         | Sleeve   | CCWLE    | 10        | 7,26     |
| 1/5~1/6~1/8       | 1075 | 3      | 115     | 6.4-4.8-3.7     | 9403         | Sleeve   | CCWLE    | 5         | 3,7      |
| 1/5~1/8~1/10      | 1050 | 3      | 115     | 6.5-4.0-3.0     | BL6414       | Sleeve   | CCWLE    | 7         | 7,22,26  |
| 1/5~1/7~1/9~1/12  | 1050 | 4      | 115     | 7.9-5.8-4.3-3.5 | 559          | Sleeve   | CCWLE    | 4         | 7,26     |
| 1/5~1/8~1/10~1/15 | 1050 | 4      | 115     | 7.1             | BL6416       | Sleeve   | CCWLE    | 8         | 7,22,26  |
| 1/5~1/8~1/10      | 1050 | 3      | 208-230 | 3.2-2.1-1.5     | B6415        | Sleeve   | CCWLE    | 7         | 7,22,26  |
| 1/5~1/6~1/8       | 1050 | 3      | 208-230 | 3.4-2.7-2.2     | 429          | Sleeve   | CCWLE    | 3         | 7,26     |
| 1/5~1/6~1/8       | 1050 | 3      | 208-230 | 3.4-2.7-2.2     | 9696         | Sleeve   | CCWLE    | 10        | 7,26     |
| 1/4               | 1050 | 1      | 115     | 8.9             | BL6531       | Sleeve   | CCWLE    | 11        |          |
| 1/4               | 1050 | 1      | 115     | 9.4             | BLR640S      | Sleeve   | CCWLE    | 12        | 7,26,357 |
| 1/4               | 1050 | 1      | 115     | 12.3            | BLR6401      | Sleeve   | CCWLE    | 13        | 7,26     |
| 1/4~1/6~1/8       | 1050 | 3      | 115     | 8.2-4.3-3.4     | BL6534       | Sleeve   | CCWLE    | 11        |          |
| 1/4~1/6~1/8       | 1050 | 3      | 115     | 8.2-4.2-3.4     | BLR6404      | Sleeve   | CCWLE    | 12        | 7,26,357 |

#### Notes:

3. Special OEM Replacement Motor (see pages 94-132)
7. Resilient Mounting Rings Included
22. 3 Thru Bolts, 4.42" dia. Bolt Circle
26. Extended thru bolts, shaft end only
123. Stock 684 "BM" dimension was 4", motors built after 4/98 will have an "BM" dimension of 3-3/4")
357. 4 thru bolts, 4.42" dia. bolt circle



#### Approximate Dimensions

| Ref. | BM   | C     | N    | R    |
|------|------|-------|------|------|
| 1    | 4.00 | 7.75  | 3.75 |      |
| 2    | 3.75 | 7.59  | 3.84 | 4.22 |
| 3    | 4.00 | 7.84  | 3.84 | 4.56 |
| 4    | 4.00 | 8.08  | 4.08 | 4.56 |
| 5    | 4.00 | 6.97  | 2.97 | 4.56 |
| 6    | 3.34 | 8.88  | 5.54 | 4.08 |
| 7    | 3.84 | 9.38  | 5.54 | 4.58 |
| 8    | 3.84 | 6.50  | 2.66 | 4.58 |
| 9    | 4.00 | 7.75  | 3.75 | 4.56 |
| 10   | 5.00 | 10.50 | 5.50 | 5.56 |
| 11   | 4.09 | 8.59  | 4.50 |      |
| 12   | 4.34 | 8.84  | 4.50 | 5.08 |
| 13   | 5.00 | 8.13  | 3.13 | 5.56 |

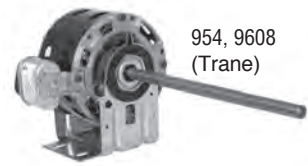


# 5" Diameter Single Shaft Open Fan/Blower Motors

## Furnace Blowers - Air Handlers - Fan Coils - Air Conditioning

### Features:

- Auto Protector
- Continuous Air Over
- Open Construction
- Permanent Split Capacitor
- 1/2" Dia. Flatted Shaft
- 42 Frame
- 60 Hz
- Sleeve Bearing



OEM Replacements for: Reznor, Luxaire, Armstrong, Payne, Day & Night, Bryant, Bohn, Intertherm, Kodair, Dole, Coleman, Janitrol, Steward Warner, International Heater Etc.



| HP                  | RPM  | Speeds | Volts   | Amps            | Stock Number | Rotation | Capacitor | Dim. Ref. | Notes  |
|---------------------|------|--------|---------|-----------------|--------------|----------|-----------|-----------|--------|
| 1/30~1/150 ~1/200   | 1100 | 3      | 115     | .6-.2-.2        | 954          | CCWSE    | Included  | 1         | 3,81   |
| 1/30~1/150 ~1/200   | 1100 | 3      | 115     | .6-.2-.2        | 9643         | REV      | 5MFD-370V | 5         | 7,26   |
| 1/20~1/35           | 1050 | 2      | 115     | .94-.54         | 485          | REV      | 4MFD-370V | 2         | 3      |
| 1/20~1/75~1/120     | 1100 | 3      | 115     | .6-.3-.23       | 9608         | REV      | Included  | 3         | 3,81   |
| 1/10~1/15~1/30      | 1075 | 3      | 115     | 1.6-.84-.53     | 9709         | REV      | 5MFD-370V | 6         | 7,27   |
| 1/10~1/15~1/25~1/35 | 1075 | 4      | 115     | 1.7-1.3-.85-.62 | 669          | REV      | Included  | 4         | 7      |
| 1/10~1/12~1/15      | 1075 | 3      | 230     | .7-.48-.36      | 9711         | REV      | 5MFD-370V | 6         | 7,27   |
| 1/10~1/15~1/30      | 1625 | 3      | 115     | 2.1-1.0-.63     | 9708         | REV      | 5MFD-370V | 6         | 7,27   |
| 1/10~1/20~1/30      | 1625 | 3      | 208-230 | .84-.37-.25     | 9710         | REV      | 5MFD-370V | 6         | 6,7,27 |

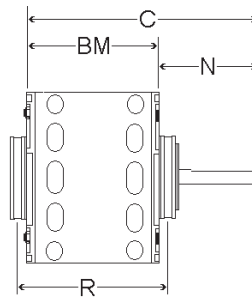
### Notes:

3. Special OEM Replacement Motor (see pages 94-132)
6. 60/50 HZ
7. Resilient mounting rings included
26. Extended thru bolts, shaft end
27. Extended thru bolts, both ends
81. Includes base

Continues on next page

### Approximate Dimensions

| Ref. | BM   | C     | N    | R    |
|------|------|-------|------|------|
| 1    | 4.00 | 12.50 | 8.50 |      |
| 2    | 3.25 | 5.96  | 2.71 |      |
| 3    | 3.25 | 13.10 | 9.85 |      |
| 4    | 3.50 | 12.08 | 8.58 | 4.06 |
| 5    | 4.00 | 12.50 | 8.50 | 4.47 |
| 6    | 4.25 | 10.00 | 5.75 | 4.81 |

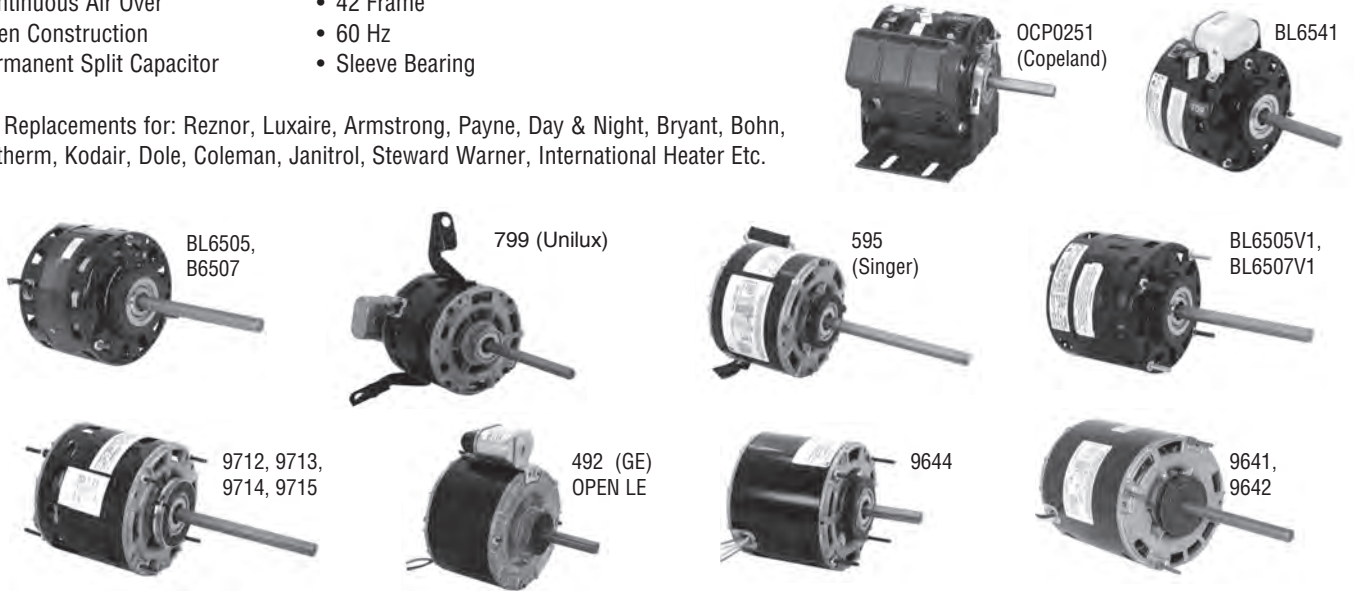


## Furnaces - Air Handlers - Fan Coils - Air Conditioning

### Features:

- Auto Protector
- Continuous Air Over
- Open Construction
- Permanent Split Capacitor
- 1/2" Dia. Flatted Shaft
- 42 Frame
- 60 Hz
- Sleeve Bearing

OEM Replacements for: Reznor, Luxaire, Armstrong, Payne, Day & Night, Bryant, Bohn, Intertherm, Kodair, Dole, Coleman, Janitrol, Steward Warner, International Heater Etc.

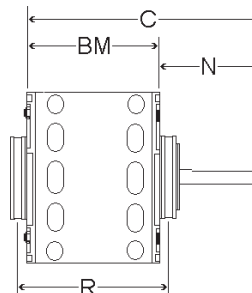


| HP                      | RPM  | Speeds | Volts | Amps                | Stock Number | Rotation | Capacitor   | Dim. Ref. | Notes    |
|-------------------------|------|--------|-------|---------------------|--------------|----------|-------------|-----------|----------|
| 1/8                     | 1075 | 1      | 115   | 2.7                 | 9641         | REV      | 5MFD-370V   | 1         | 7,9,26   |
| 1/8~1/12~1/20           | 1075 | 3      | 115   | 2.2-1.2-.93         | 9713         | REV      | 5MFD-370V   | 6         | 7,27     |
| 1/8~1/12~1/14           | 1075 | 3      | 115   | .2.5-1.6-1.3        | 9644         | REV      | 5MFD-370V   | 1         | 7,9,26   |
| 1/8~1/10~1/15~1/20      | 1075 | 4      | 115   | 2.2                 | BL6541       | CCWLE    | Included    | 3         | 7        |
| 1/8~1/10~1/15~1/20~1/30 | 1000 | 5      | 115   | 2.6-2.1-1.8-1.0-0.7 | 799          | CWSE     | Included    | 2         | 3        |
| 1/8~1/12~1/14           | 1075 | 3      | 277   | .83-.59-.49         | 595          | REV      | 5MFD-370V   | 1         | 3,7      |
| 1/8~1/15~1/40           | 1625 | 3      | 115   | 1.9-.94-.56         | 9712         | REV      | 5MFD-370V   | 6         | 7,27     |
| 1/8                     | 1550 | 1      | 230   | 1.1                 | 492          | CWSE     | Included    | 4         | 3        |
| 1/6~1/8~1/12            | 1075 | 3      | 115   | 3.1-2.0-1.4         | 9715         | REV      | 5MFD-370V   | 7         | 7,27     |
| 1/6~1/8~1/12            | 1625 | 3      | 115   | 2.4-1.7-1.1         | 9714         | REV      | 5MFD-370V   | 7         | 7,27     |
| 1/6                     | 1625 | 1      | 230   | 1.5                 | OCP0251      | CCWSE    | Included    | 9         | 3,150    |
| 1/5                     | 1075 | 1      | 115   | 3.3                 | 9642         | REV      | 7.5MFD-370V | 8         | 7,9,26   |
| 1/5~1/8~1/10            | 1075 | 3      | 115   | 3.2-2.1-1.7         | BL6505       | REV      | 7.5MFD-370V | 5         | 7,22,26  |
| 1/5~1/8~1/10            | 1075 | 3      | 115   | 3.2-2.1-1.7         | BL6505V1     | REV      | 7.5MFD-370V | 5         | 7,26     |
| 1/5~1/6~1/10            | 1075 | 3      | 230   | 1.3-.9-.7           | B6507        | REV      | 7.5MFD-370V | 5         | 7,22,26  |
| 1/5~1/6~1/10            | 1075 | 3      | 230   | 1.3-0.9-0.7         | B6507V1      | REV      | 7.5MFD-370V | 5         | 7,26,357 |

### Notes:

- 3. Special OEM Replacement Motor (see pages 94-132)
- 7. Resilient mounting rings included
- 9. Reversing plug
- 22. 3 Thru bolts, 4.42 dia. bolt circle
- 26. Extended thru bolts, shaft end
- 27. Extended thru bolts, both ends
- 150. Rated 50/60 HZ
- 357. 4 thru bolts, 4.42 dia. bolt circle

Continues on next page



### Approximate Dimensions

| Ref. | BM   | C     | N    | R    |
|------|------|-------|------|------|
| 1    | 3.75 | 10.21 | 6.46 | 4.22 |
| 2    | 3.75 | 8.83  | 5.08 |      |
| 3    | 3.59 | 7.47  | 3.88 | 4.33 |
| 4    | 3.50 | 6.46  | 2.96 |      |
| 5    | 3.84 | 9.38  | 5.54 | 4.38 |
| 6    | 4.50 | 10.25 | 5.75 | 5.06 |
| 7    | 4.75 | 10.50 | 5.75 | 5.31 |
| 8    | 4.25 | 10.25 | 6.00 | 4.72 |
| 9    | 3.84 | 6.88  | 3.04 |      |

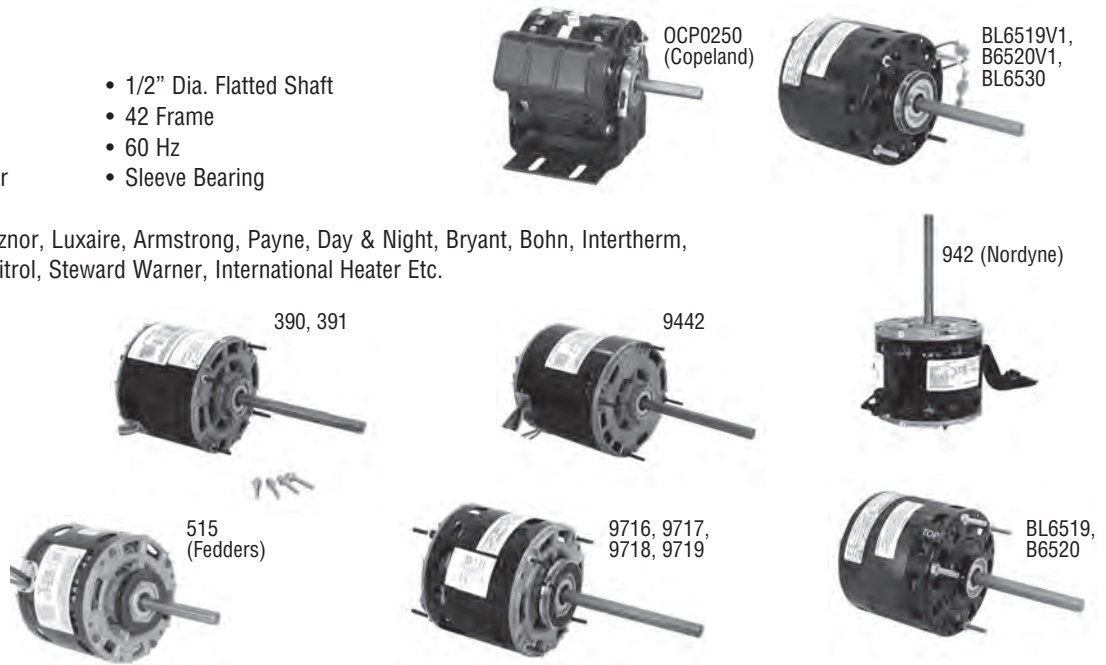
# 5" Diameter Single Shaft Open Fan/Blower Motors

## Furnaces - Air Handlers - Fan Coils - Air Conditioning

### Features:

- Auto Protector
- Continuous Air Over
- Open Construction
- Permanent Split Capacitor
- 1/2" Dia. Flatted Shaft
- 42 Frame
- 60 Hz
- Sleeve Bearing

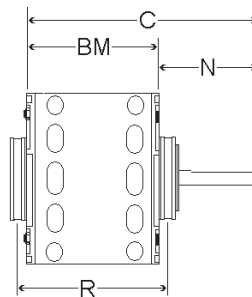
OEM Replacements for: Reznor, Luxaire, Armstrong, Payne, Day & Night, Bryant, Bohn, Intertherm, Kodair, Dole, Coleman, Janitrol, Steward Warner, International Heater Etc.



| HP              | RPM  | Speeds | Volts   | Amps            | Stock Number | Rotation | Capacitor   | Dim. Ref. | Notes    |
|-----------------|------|--------|---------|-----------------|--------------|----------|-------------|-----------|----------|
| 1/4             | 1050 | 1      | 115     | 6.2             | 942          | CWSE     | 7.5MFD-370V | 2         | 3        |
| 1/4~1/5~1/7     | 1050 | 3      | 115     | 3.7-3.1-2.4     | 390          | REV      | 7.5MFD-370V | 1         | 9,26     |
| 1/4~1/5~1/7     | 1075 | 3      | 115     | 4.8-3.1-2.2     | 9717         | REV      | 7.5MFD-370V | 6         | 7,27,358 |
| 1/4~1/5~1/6     | 1075 | 3      | 115     | 4.7-3.7-3.1     | BL6519V1     | REV      | 5MFD-370V   | 5         | 7,26,357 |
| 1/4~1/5~1/6     | 1075 | 3      | 115     | 4.7             | BL6519       | REV      | 5MFD-370V   | 3         | 22       |
| 1/4             | 1100 | 1      | 208-230 | 1.5             | 515          | CWSE     | 5MFD-370V   | 4         | 3,       |
| 1/4~1/5~1/7     | 1050 | 3      | 208-230 | 1.5-1.2-1.0     | 391          | REV      | 7.5MFD-370V | 1         | 9,26     |
| 1/4~1/5~1/6     | 1075 | 3      | 208-230 | 2.0-1.4-.9      | 9719         | REV      | 5MFD-370V   | 7         | 7,27     |
| 1/4~1/5~1/6     | 1075 | 3      | 230     | 2.0             | B6520        | REV      | 5MFD-370V   | 3         | 22       |
| 1/4~1/5~1/6     | 1075 | 3      | 230     | 2.0-1.2-.9      | B6520V1      | REV      | 5MFD-370V   | 5         | 7,26,358 |
| 1/4~1/5~1/6~1/8 | 1050 | 4      | 277     | 1.5-1.2-1.0-0.8 | 9442         | REV      | 7.5MFD-370V | 1         | 9,26     |
| 1/4~1/6~1/10    | 1625 | 3      | 115     | 4.0-2.3-1.5     | 9716         | REV      | 7.5MFD-370V | 6         | 7,27,358 |
| 1/4~1/6~1/10    | 1625 | 3      | 208-230 | 1.8-.98-.64     | 9718         | REV      | 5MFD-370V   | 6         | 7,27,358 |
| 1/4             | 1625 | 1      | 230     | 1.5             | OCP0250      | CCWSE    | Included    | 8         | 3,150    |
| 1/3~1/4~1/6     | 1075 | 3      | 115     | 6.3-3.6-2.5     | BL6530       | REV      | 15MFD-370V  | 5         | 7,26     |

### Notes:

- 3. Special OEM Replacement Motor (see pages 94-132)
- 7. Resilient Mounting rings Included
- 9. Reversing plug
- 22. 3 Thru bolts, 4.42 dia. bolt circle
- 26. Extended thru bolts, shaft end
- 27. Extended thru bolts, both ends
- 150. Rated 50/60 HZ
- 357. 4 thru bolts, 4.42 dia. bolt circle
- 358. 4 thru bolts, 4.62 dia. bolt circle



### Approximate Dimensions

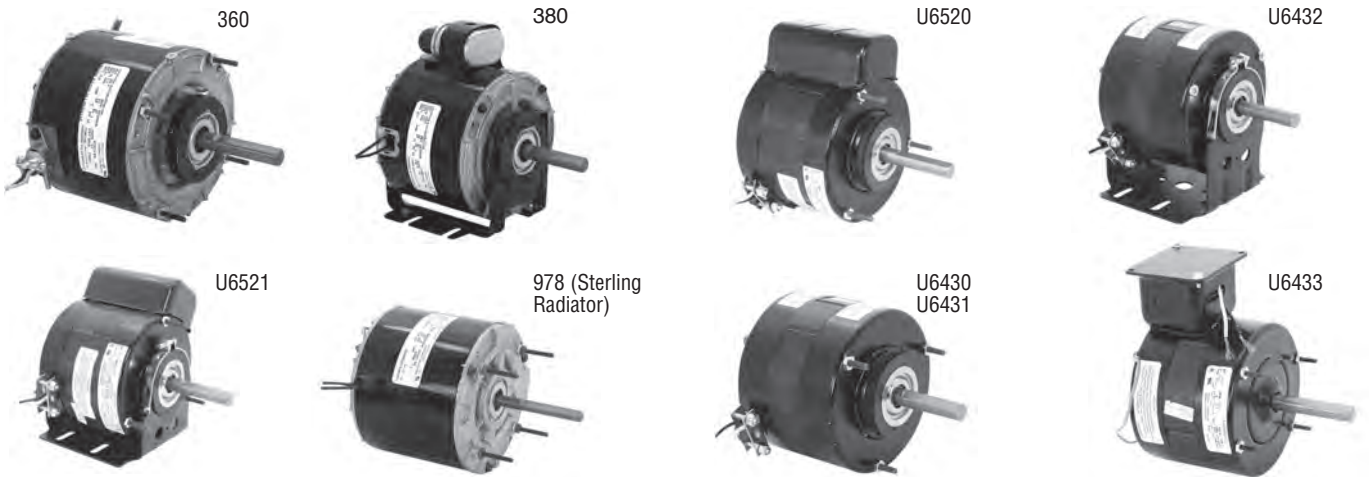
| Ref. | BM   | C     | N    | R    |
|------|------|-------|------|------|
| 1    | 4.25 | 10.25 | 6.00 |      |
| 2    | 4.00 | 7.75  | 3.75 |      |
| 3    | 4.09 | 8.75  | 4.66 |      |
| 4    | 4.25 | 8.21  | 3.96 | 4.83 |
| 5    | 4.09 | 8.75  | 4.66 | 4.83 |
| 6    | 5.25 | 11.00 | 5.75 | 5.81 |
| 7    | 4.75 | 10.50 | 5.75 | 5.31 |
| 8    | 3.84 | 6.88  | 3.04 |      |

# 5" Diameter Totally Enclosed Fan/Blower Motors

## Unit Heater

### Features:

- Continuous Duty, Air Over • PSC and Shaded Pole • 60 Hz • Auto Protector • Sleeve Bearing • 40°C Ambient • 42 Frame • 1/2" Dia. Flatted Shaft



### PSC

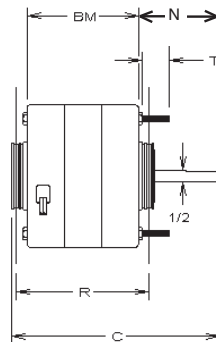
| HP  | RPM  | Speeds | Volts | Amps | Stock Number | Rotation | Capacitor | Dim. Ref. | Notes     |
|-----|------|--------|-------|------|--------------|----------|-----------|-----------|-----------|
| 1/8 | 1075 | 1      | 115   | 2.6  | U6520        | REV      | Included  | 1         | 22,89     |
| 1/8 | 1075 | 1      | 115   | 2.6  | U6521        | REV      | Included  | 1         | 22,89,294 |
| 1/6 | 1075 | 1      | 115   | 2.6  | 360          | CWSE     | 5MFD-370V | 2         | 7,358     |
| 1/6 | 1075 | 1      | 115   | 2.8  | 380          | CWSE     | Included  | 3         | 294       |

### SHADED POLE

| HP   | RPM  | Speeds | Volts | Amps | Stock Number | Rotation | Capacitor   | Dim. Ref. | Notes    |
|------|------|--------|-------|------|--------------|----------|-------------|-----------|----------|
| 1/20 | 1050 | 1      | 115   | 1.7  | 978          | CWSE     | SHADED POLE | 4         | 3,47,359 |
| 1/15 | 1050 | 1      | 115   | 3.3  | U6430        | CWSE     | SHADED POLE | 5         | 22,281   |
| 1/15 | 1050 | 1      | 115   | 3.3  | U6432        | CWSE     | SHADED POLE | 5         | 286      |
| 1/15 | 1050 | 1      | 115   | 3.3  | U6433        | CWSE     | SHADED POLE | 7         |          |
| 1/8  | 1050 | 1      | 115   | 4.5  | U6431        | CWSE     | SHADED POLE | 6         | 22,281   |

### Notes:

- 3. Special OEM Replacement Motor (see pages 94-132)
- 7. Resilient mounting rings Included
- 22. 3 Thru Bolts on a 4.42 dia. bolt circle
- 47. 3/8" flatted shaft
- 89. 60" leads
- 281. 36" leads
- 286. 3.5" shaft height
- 294. 2.6" shaft height
- 358. 4 thru bolts on a 4.62 dia. bolt circle
- 359. 4 studs with spacer and nut on a 3.87 diameter bolt circle



### Approximate Dimensions

| Ref. | BM   | R    | C    | N    | T    |
|------|------|------|------|------|------|
| 1    | 3.84 | 4.58 | 7.30 | 2.92 | .79  |
| 2    | 4.00 | 4.56 | 7.43 | 2.96 | .71  |
| 3    | 4.00 |      | 7.18 | 2.71 |      |
| 4    | 4.25 |      | 7.25 | 3.00 | 1.02 |
| 5    | 3.59 | 4.33 | 6.79 | 2.67 | .5   |
| 6    | 4.09 | 4.83 | 7.89 | 3.25 | .5   |
| 7    | 3.59 |      | 6.72 | 2.81 | .5   |

# 5" Diameter MultiFit® Condenser Fan Motors

## Replaces Hundreds of 1/4 - 1/12 HP Applications

### Features:

- All angle mount
- Ball bearing
- Class B insulation
- Double sealed ball bearings
- Energy efficient PSC design \$
- Reversing plug
- Single speed
- 60° C ambient
- 60 HZ
- 36" leads
- 1/2" Dia. flatted shaf
- Totally enclosed
- Multi-horsepower, one simple connection
- Multi-mounting system

One simple connection eliminates having to select various speeds or change capacitor sizes.



| HP              | RPM  | Speeds | Volts   | Amps | Stock Number | Capacitor   | Dim. Ref. | Notes |
|-----------------|------|--------|---------|------|--------------|-------------|-----------|-------|
| 1/8, 1/10, 1/12 | 1075 | 1      | 208-230 | 0.9  | 9722         | 5MFD/370V   | 1         | \$    |
| 1/4, 1/5, 1/6   | 1075 | 1      | 208-230 | 2.0  | 9723         | 7.5MFD/370V | 2         | \$    |
| 1/4, 1/5, 1/6   | 1625 | 1      | 208-230 | 1.6  | 9724         | 5MFD/370V   | 2         | \$    |

## 3-in-1 Design

### Approximate Speeds and Amps in Application

| Stock Number 9722 |                 |                  | Stock Number 9723 |                 |                  | Stock Number 9724 NEW! |                 |                  |
|-------------------|-----------------|------------------|-------------------|-----------------|------------------|------------------------|-----------------|------------------|
| HP                | Approximate RPM | Approximate Amps | HP                | Approximate RPM | Approximate Amps | HP                     | Approximate RPM | Approximate Amps |
| 1/8               | 1075            | 0.9              | 1/4               | 1075            | 2.0              | 1/4                    | 1625            | 1.6              |
| 1/10              | 1135            | 0.6              | 1/5               | 1145            | 1.2              | 1/5                    | 1715            | 1.0              |
| 1/12              | 1155            | 0.5              | 1/6               | 1165            | 1.0              | 1/6                    | 1759            | 0.7              |

## MultiFit Multi-Mounting System Replaces:

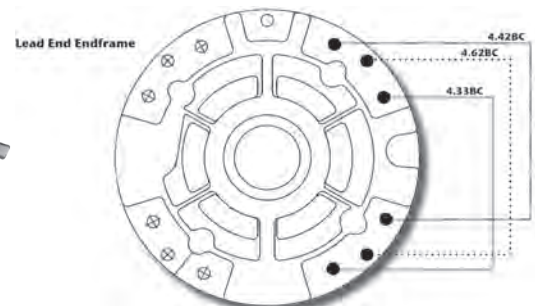
**4.42BC**  
Century/Westinghouse Design  
Emerson 42-Frame (5" dia.)

**4.62BC**  
GE 42-Frame (5" dia.)  
Fasco 42-Frame (5" dia.)

**4.33BC**  
Emerson Clam-Shell  
GE Cap-Can  
Century/Universal Electric Design

### Approximate Dimensions

| Ref. | BM  | C   | N   | T   |
|------|-----|-----|-----|-----|
| 1    | 4.0 | 7.5 | 3.0 | .50 |
| 2    | 4.5 | 7.5 | 3.0 | .50 |

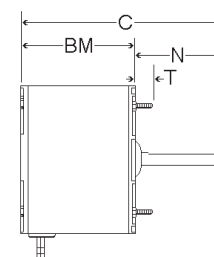
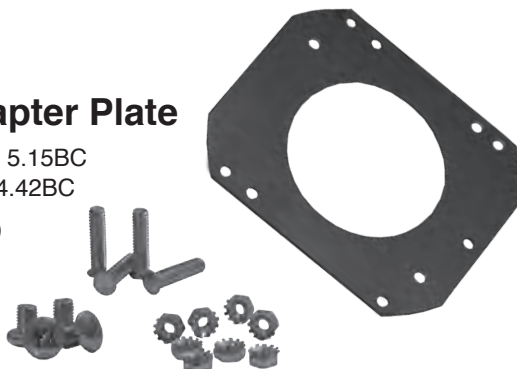


Stock No. 2118

## MultiFit® Adapter Plate

Adapts to a 48-Frame 5.15BC  
Or 42-Frame 3-Point 4.42BC

(Available Separately)





## Heating & Air Conditioning

### Features:

- Continuous Duty, Air Over
- Mechanically Reversible
- PSC
- Sleeve Bearing
- Thermally Protected
- 60 Hz

### Applications:

- Condenser Fans
- Direct Drive Blowers
- 1/2" Flatted Shaft
- Energy Efficient \$

OEM replacement for Lennox, Luxaire, Chrysler, Johnson, Armstrong, Heil Quaker, Miller, Lear Siegler, Tappan, Modernaire and other air conditioning and heating applications.



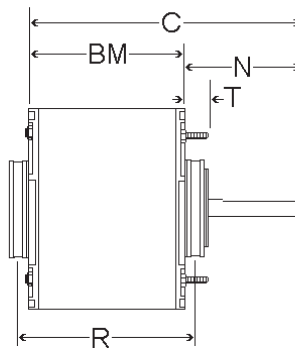
| HP              | RPM  | Speeds | Volts       | Amps            | Stock Number | Rotation. | Capacitor | Dim. Ref. | Notes |
|-----------------|------|--------|-------------|-----------------|--------------|-----------|-----------|-----------|-------|
| 1/8             | 1050 | 1      | 115         | 1.8             | 153A         | CWSE      | 5MFD/370V | 1         | 3     |
| 1/6             | 1050 | 1      | 115         | 3.3             | 146A         | CWSE      | 5MFD/370V | 3         | 7     |
| 1/6             | 1050 | 1      | 115/208-230 | 3.3/1.5-1.7     | 494B         | CWSE      | 5MFD/370V | 3         | 7 \$  |
| 1/6-1/8         | 1050 | 2      | 208-230     | 1.0-0.6         | 446A         | CWSE      | 5MFD/370V | 2         | 7     |
| 1/4~1/5~1/6~1/8 | 1050 | 4      | 115         | 3.2-2.5-2.0-1.6 | 144A         | CWSE      | 5MFD/370V | 5         | 7     |
| 1/4             | 1050 | 1      | 115/208-230 | 4.4/2.0-2.2     | 495B         | CCWLE     | 5MFD/370V | 4         | 7     |

### Notes:

- 3. Special OEM Replacement Motor (see pages 94-132)
- 7. Resilient Mounting Rings Included

### Approximate Dimensions

| Ref. | BM   | R    | C     | N    | T   |
|------|------|------|-------|------|-----|
| 1    | 4.00 |      | 7.02  | 3.02 | .61 |
| 2    | 3.75 | 4.22 | 7.77  | 4.02 |     |
| 3    | 4.00 | 4.47 | 8.02  | 4.02 |     |
| 4    | 4.25 | 4.72 | 8.27  | 4.02 |     |
| 5    | 4.25 | 4.72 | 10.77 | 6.52 |     |



# 5-5/8" Diameter Single Shaft Fan/Blower Motors

## Furnaces - Air Handlers - Fan Coils

### Features:

- Auto Protector
- Continuous Air Over
- Energy Efficient **\$**
- Multiple Mount
- Open Construction
- Sleeve Bearing
- 1/2" Dia. - Flatted Shaft
- 26" Leads (Minimum)
- 48 Frame (5-5/8" Dia.)
- 40° C Ambient
- 60 HZ only
- Shaded Pole Replacement



### HI EFFICIENCY - PSC - CAPACITOR INTERNALLY MOUNTED

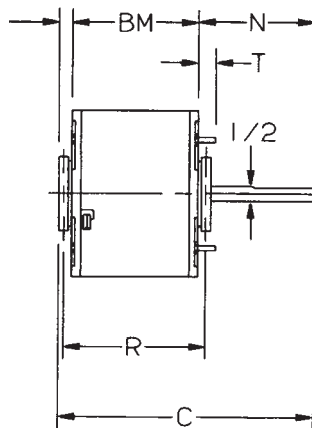
| HP  | RPM  | Speeds | Volts   | Amps  |      | Stock Number | Rotation | Encl.     | Dim. Ref. | Notes     |
|-----|------|--------|---------|-------|------|--------------|----------|-----------|-----------|-----------|
|     |      |        |         | Rated | Max. |              |          |           |           |           |
| 1/8 | 1050 | 1      | 115     | 2.4   | 2.5  | FSP4006S     | CCWLE    | Open      | 2         | 7, \$     |
| 1/8 | 1050 | 3      | 115     | 2.2   | 2.4  | FSP4006      | CCWLE    | Semi-Encl | 1         | 7, \$     |
| 1/5 | 1050 | 1      | 115     | 3.2   | 4.0  | FSP4016S     | CCWLE    | Semi-Encl | 1         | 7, \$     |
| 1/5 | 1050 | 3      | 115     | 3.2   | 4.0  | FSP4016      | CCWLE    | Semi-Encl | 7         | 7, \$     |
| 1/5 | 1050 | 3      | 208-230 | 1.5   | 2.0  | FSP4016H     | CCWLE    | Semi-Encl | 7         | 7, \$     |
| 1/4 | 1050 | 1      | 115     | 4.0   | 4.2  | FSP4026S     | CCWLE    | Open      | 4         | 7, \$     |
| 1/4 | 1000 | 3      | 115     | 3.3   | 3.6  | FSP4026      | REV.     | Open      | 3         | 7, \$     |
| 1/4 | 1050 | 1      | 230     | 2.4   | 2.5  | FSP4026SH    | CCWLE    | Open      | 5         | 7, \$     |
| 1/4 | 1050 | 3      | 230     | 2.5   | 2.7  | FSP4026H     | CCWLE    | Open      | 3         | 7, \$     |
| 1/3 | 1050 | 4      | 115     | 5.7   | 6.0  | OCB4036SP    | CCWLE    | Open      | 6         | 3,162, \$ |

### Notes:

3. Special OEM Replacement Motor (see pages 94-132)
7. Resilient mounting rings included
162. No resilient rings. 12" leads with Molex terminal.

### Approximate Dimensions

| Ref. | BM    | R       | C       | N      | T   |
|------|-------|---------|---------|--------|-----|
| 1    | 4-3/8 | 4-15/16 | 9-5/8   | 4-3/4  | -   |
| 2    | 4-3/8 | 4-15/16 | 10-5/16 | 5-7/16 | 5/8 |
| 3    | 5     | 5-1/2   | 11      | 5-1/2  | 5/8 |
| 4    | 4-7/8 | 5-3/8   | 10-7/8  | 5-1/2  | 1/2 |
| 5    | 4-3/4 | 5-5/16  | 10-3/4  | 5-1/2  | 1/2 |
| 6    | 5-3/8 | -       | 10      | 4-5/8  | -   |
| 7    | 4-3/8 | 4-15/16 | 9-5/8   | 4-3/4  | 5/8 |

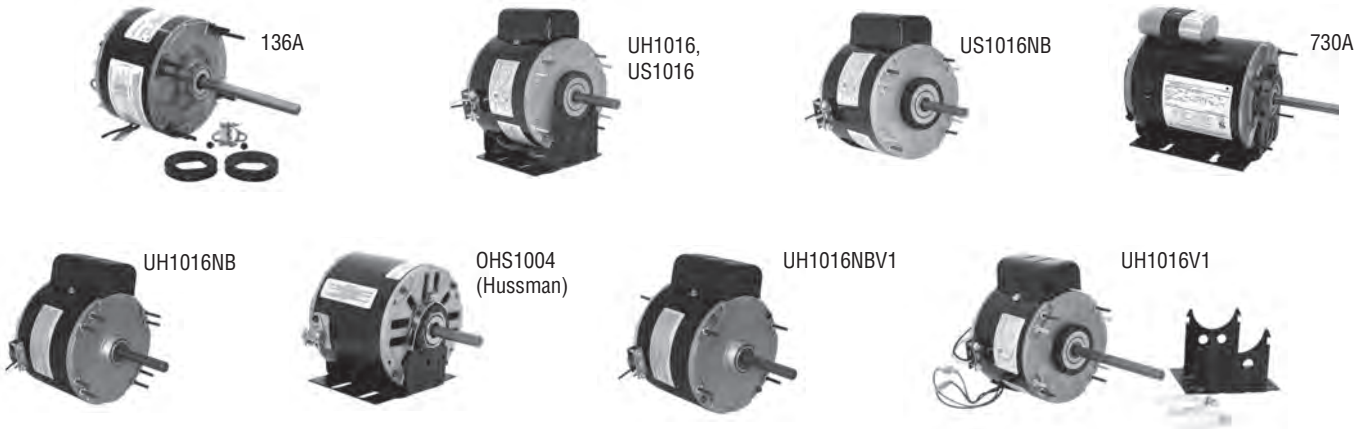


# 5-5/8" Totally Enclosed Fan/Blower Motors

## Unit Heater Fan Motors

### Features:

- Continuous Duty, Air Over
- Permanent Split Capacitor
- Sleeve & Ball Bearing Models
- Thermally Protected
- 60 Hz
- 48Y Frame



| HP  | RPM  | Speeds | Volts       | Amps    | Stock      |               | Bearings | Rotation | Capacitor   | Encl.      | Base      | Dim. |               |
|-----|------|--------|-------------|---------|------------|---------------|----------|----------|-------------|------------|-----------|------|---------------|
|     |      |        |             |         | Number     | Notes         |          |          |             |            |           | Ref. | Notes         |
| 1/8 | 1550 | 1      | 230         | 1.0     | OHS1004    | 3,31          | Sleeve   | CWLE     | 5MFD/370V   | Semi-encl. | Resilient | 5    | 3,31          |
| 1/6 | 1075 | 1      | 115         | 2.8     | US1016     | 31,89,279,286 | Sleeve   | REV.     | Included    | TE         | Resilient | 1    | 31,89,279,286 |
| 1/6 | 1075 | 1      | 115         | 2.8     | US1016NB   | 31,89,279     | Sleeve   | REV.     | Included    | TE         | None      | 6    | 31,89,279     |
| 1/6 | 1075 | 1      | 115         | 2.2     | UH1016     | 29,89,279,286 | Ball     | REV.     | Included    | TE         | Resilient | 2    | 29,89,279,286 |
| 1/6 | 1075 | 1      | 115         | 2.2     | UH1016NB   | 29,89         | Ball     | REV.     | Included    | TE         | None      | 7    | 29,89         |
| 1/6 | 1075 | 1      | 115         | 2.2     | UH1016NBV1 | 29,89         | Ball     | REV.     | Included    | TE         | None      | 7    | 29,89         |
| 1/6 | 1075 | 1      | 115         | 2.2     | UH1016V1   | 29,89,286     | Ball     | REV.     | Included    | TE         | Resilient | 8    | 29,89,286     |
| 1/6 | 1075 | 2      | 115         | 2.4     | 136A       | 7,29,279      | Ball     | REV.     | 7.5MFD-370V | TE         | None      | 3    | 7,29,279      |
| 1/6 | 1140 | 1      | 115/208-230 | 2.1/1.1 | 730A       | 26,29,189     | Ball     | REV.     | Included    | TE         | Resilient | 4    | 26,29,189     |

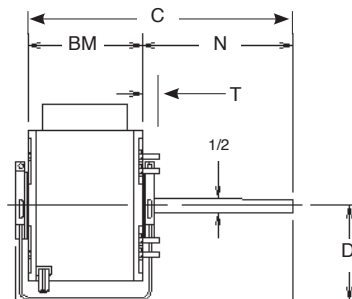
### Notes:

- 3. Special OEM Replacement Motor (see pages 94-132)
- 7. Resilient mounting rings included
- 26. Extended thru bolts, shaft end only
- 29. 60°C Ambient
- 31. 40°C Ambient
- 89. 60" leads
- 189. Includes split bushing and key for 5/8" shafts
- 279. 4 thru bolts and 4 dummy studs on a 5.15 dia. bolt circle
- 286. 3.5" Shaft Height

Continues on next page

### Approximate Dimensions

| Ref. | BM   | R    | C     | N    | T    | D    |
|------|------|------|-------|------|------|------|
| 1    | 4.36 | 4.92 | 7.35  | 2.49 | 0.65 | 3.50 |
| 2    | 4.24 | 4.80 | 8.02  | 3.28 | 0.88 | 3.50 |
| 3    | 3.75 |      | 9.23  | 5.48 | 1.50 |      |
| 4    | 6.00 |      | 11.05 | 5.05 | 0.88 | 3.00 |
| 5    | 3.74 |      | 5.74  | 2.00 |      | 3.50 |
| 6    | 4.36 |      | 7.35  | 2.99 | 0.65 |      |
| 7    | 4.24 |      | 8.02  | 3.78 | 0.88 |      |
| 8    | 4.24 | 4.80 | 9.74  | 5.50 | 0.88 |      |

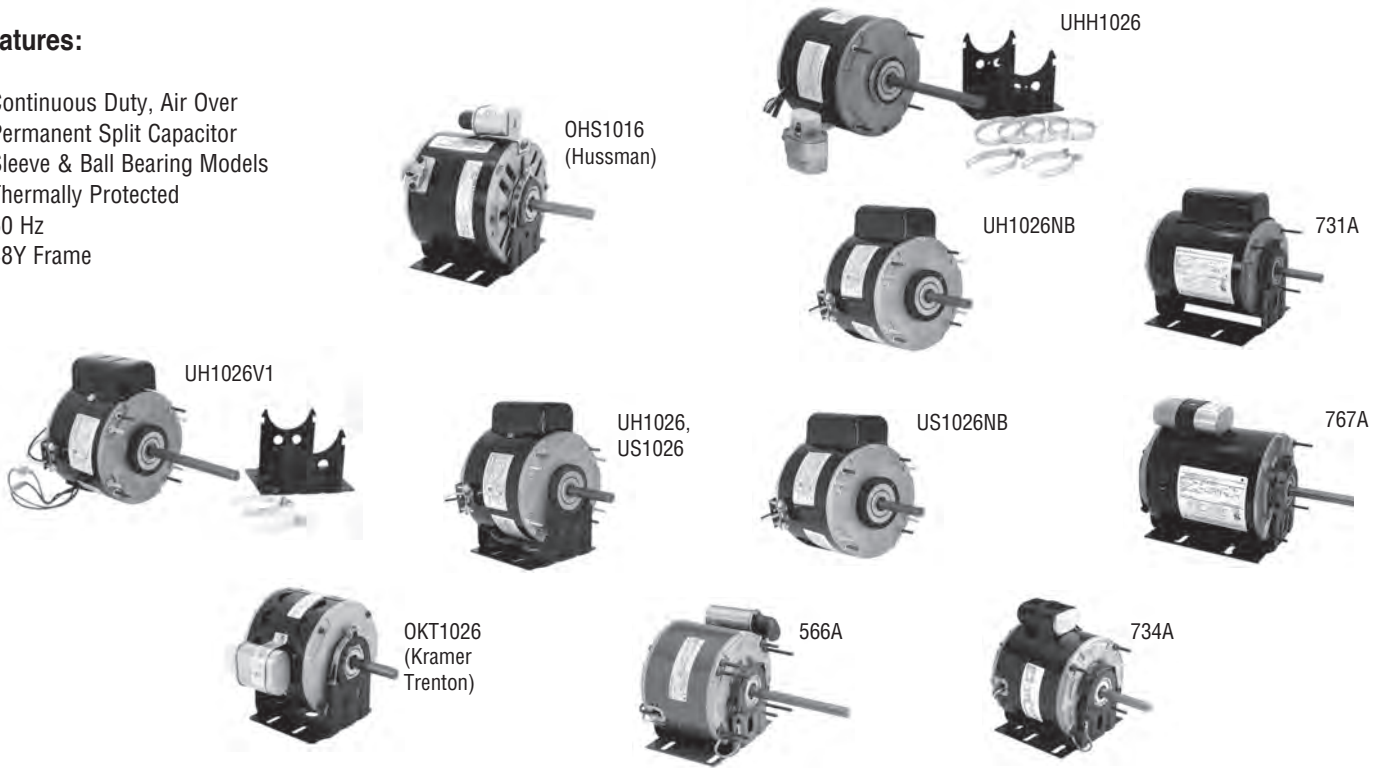


R = Ring to Ring Dim.

## Unit Heater Fan Motors

### Features:

- Continuous Duty, Air Over
- Permanent Split Capacitor
- Sleeve & Ball Bearing Models
- Thermally Protected
- 60 Hz
- 48Y Frame



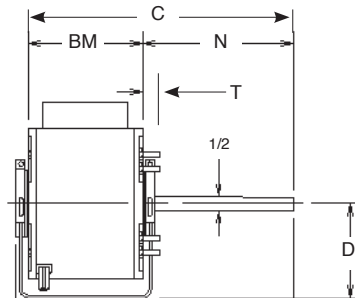
| HP  | RPM      | Speeds | Volts       | Amps    | Stock           |          |          |           |            |           | Dim. |               |
|-----|----------|--------|-------------|---------|-----------------|----------|----------|-----------|------------|-----------|------|---------------|
|     |          |        |             |         | Number          | Bearings | Rotation | Capacitor | Encl.      | Base      | Ref. | Notes         |
| 1/5 | 1075     | 1      | 230         | 1.6     | <b>OHS1016</b>  | Sleeve   | CWLE     | 5MFD/370V | Semi-encl. | Resilient | 1    | 3,29          |
| 1/4 | 1075     | 1      | 115         | 3.3     | <b>566A</b>     | Sleeve   | CCWLE    | Included  | TE         | Resilient | 3    | 29            |
| 1/4 | 1075     | 1      | 115         | 4.9     | <b>US1026</b>   | Sleeve   | REV.     | Included  | TE         | Resilient | 2    | 31,279,286    |
| 1/4 | 1075     | 1      | 115         | 4.9     | <b>US1026NB</b> | Sleeve   | REV.     | Included  | TE         | None      | 2    | 31,89,279     |
| 1/4 | 1075     | 1      | 115         | 4.9     | <b>UH1026</b>   | Ball     | REV.     | Included  | TE         | Resilient | 2    | 31,89,279,286 |
| 1/4 | 1075     | 1      | 115         | 4.9     | <b>UH1026NB</b> | Ball     | REV.     | Included  | TE         | None      | 10   | 31,89         |
| 1/4 | 1075     | 1      | 115         | 4.9     | <b>UH1026V1</b> | Ball     | REV.     | Included  | TE         | Resilient | 7    | 31,89         |
| 1/4 | 1135     | 1      | 115         | 4.5     | <b>734A</b>     | Sleeve   | CCWLE    | Included  | TE         | Resilient | 4    | 29            |
| 1/4 | 1075/900 | 1      | 115/208-230 | 3.0/1.5 | <b>OKT1026</b>  | Ball     | CCWLE    | Included  | Semi-Encl. | Resilient | 9    | 3,31,150      |
| 1/4 | 1140     | 1      | 115/208-230 | 3.1/1.6 | <b>731A</b>     | Ball     | REV.     | Included  | TE         | Resilient | 5    | 29,189        |
| 1/4 | 1075     | 1      | 208-230     | 1.8     | <b>UHH1026</b>  | Ball     | REV.     | 4MFD/370V | TE         | Resilient | 7    | 6,31,286      |
| 1/4 | 1725     | 1      | 115/230     | 3.0/1.6 | <b>767A</b>     | Ball     | REV.     | Included  | TE         | Resilient | 6    | 29,189        |

### Notes:

- 3. Special OEM Replacement Motor (see pages 94-132)
- 6. 60/50 HZ
- 29. 60°C Ambient
- 31. 40°C Ambient
- 89. 60" leads
- 150. Rated 50/60 HZ
- 189. Includes split bushing and key for 5/8" shafts
- 279. 4 thru bolts and 4 dummy studs on a 5.15 dia. bolt circle
- 286. 3.5" Shaft Height

### Approximate Dimensions

| Ref. | BM   | R    | C     | N    | T    | D    |
|------|------|------|-------|------|------|------|
| 1    | 4.24 |      | 7.24  | 3.00 |      | 3.50 |
| 2    | 4.36 | 4.92 | 7.35  | 2.49 | 0.65 | 3.50 |
| 3    | 4.25 |      | 9.77  | 5.52 | 1.51 | 3.00 |
| 4    | 5.00 |      | 8.39  | 3.39 | 0.86 | 3.00 |
| 5    | 6.25 |      | 11.33 | 5.08 | 0.88 | 3.00 |
| 6    | 6.75 |      | 11.83 | 5.08 | 0.88 | 3.50 |
| 7    | 4.36 | 4.92 | 9.86  | 5.50 | 0.65 | 3.00 |
| 8    | 4.36 |      | 7.34  | 2.97 | 0.65 | 3.00 |
| 9    | 4.86 |      | 7.33  | 2.50 |      | 3.00 |
| 10   | 4.36 |      | 7.34  | 2.97 | 0.65 |      |



R = Ring to Ring Dim.

# 5-5/8" Totally Enclosed Fan/Blower Motors

## Unit Heater Fan Motors

### Features:

- Continuous Duty, Air Over
- Permanent Split Capacitor
- Sleeve & Ball Bearing
- Thermally Protected
- 60 Hz
- 48Y Frame



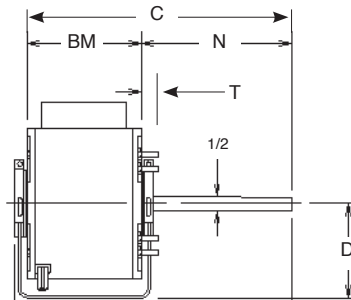
| HP  | RPM  | Speeds | Volts       | Amps    | Stock            |          |          | Rotation | Capacitor | Encl.     | Base | Dim.      |       |
|-----|------|--------|-------------|---------|------------------|----------|----------|----------|-----------|-----------|------|-----------|-------|
|     |      |        |             |         | Number           | Bearings | Bearings |          |           |           |      | Ref.      | Notes |
| 1/3 | 1075 | 1      | 115         | 5.3     | <b>US1036</b>    | Sleeve   | REV.     | Included | TE        | Resilient | 3    | 31,89,279 |       |
| 1/3 | 1075 | 1      | 115         | 5.3     | <b>US1036NB</b>  | Sleeve   | REV.     | Included | TE        | None      | 7    | 31,279    |       |
| 1/3 | 1075 | 1      | 115         | 5.3     | <b>UH1036</b>    | Ball     | REV.     | Included | TE        | Resilient | 3    | 31,89,279 |       |
| 1/3 | 1075 | 1      | 115         | 5.3     | <b>UH1036V1</b>  | Ball     | REV.     | Included | TE        | Resilient | 9    | 31,89,279 |       |
| 1/3 | 1140 | 1      | 115/208-230 | 3.3/1.7 | <b>732A</b>      | Ball     | REV.     | Included | TE        | Resilient | 4    | 29,189    |       |
| 1/3 | 1075 | 1      | 208-230     | 2.2     | <b>UHH1036</b>   | Ball     | REV.     | Included | TE        | Resilient | 9    | 6,31      |       |
| 1/3 | 1100 | 2      | 230         | 1.7-1.1 | <b>UHH1036NB</b> | Ball     | REV.     | Included | TE        | None      | 8    | 9,31,360  |       |
| 1/3 | 1100 | 2      | 115         | 4.3-1.8 | <b>UH1036NB</b>  | Ball     | REV.     | Included | TE        | None      | 8    | 9,31,360  |       |
| 1/3 | 1725 | 1      | 115/230     | 2.9/1.5 | <b>768A</b>      | Ball     | REV.     | Included | TE        | Resilient | 1    | 29,189    |       |
| 1/2 | 1140 | 1      | 115/208-230 | 5.6/2.8 | <b>733A</b>      | Ball     | REV.     | Included | TE        | Resilient | 5    | 29        |       |
| 1/2 | 1725 | 1      | 115/230     | 5.4/2.7 | <b>769A</b>      | Ball     | REV.     | Included | TE        | Resilient | 6    | 29        |       |

### Notes:

- 6. 60/50 HZ
- 9. Reversing plug
- 29. 60°C Ambient
- 31. 40°C Ambient
- 89. 60" leads
- 189. Includes split bushing and key for 5/8" shafts
- 279. 4 thru bolts and 4 dummy studs on a 5.15 dia. bolt circle
- 360. 4 thru bolts in a 5.15 dia. bolt circle

### Approximate Dimensions

| Ref. | BM   | R    | C     | N    | T    | D    |
|------|------|------|-------|------|------|------|
| 1    | 6.75 |      | 11.83 | 5.08 | 0.88 | 3.00 |
| 2    | 4.25 |      | 9.80  | 5.55 | 1.52 | 3.00 |
| 3    | 4.61 |      | 7.60  | 2.99 | 0.65 | 3.50 |
| 4    | 6.50 |      | 11.58 | 5.08 | 0.88 | 3.00 |
| 5    | 7.25 |      | 12.28 | 5.03 | 0.88 | 3.00 |
| 6    | 7.50 |      | 12.58 | 5.08 | 0.88 | 3.00 |
| 7    | 4.61 |      | 7.60  | 2.99 | 0.65 |      |
| 8    | 5.11 | 5.67 | 10.61 | 5.50 | 2.56 |      |
| 9    | 4.61 | 5.17 | 10.11 | 5.50 | 0.65 | 3.50 |



R = Ring to Ring Dim.

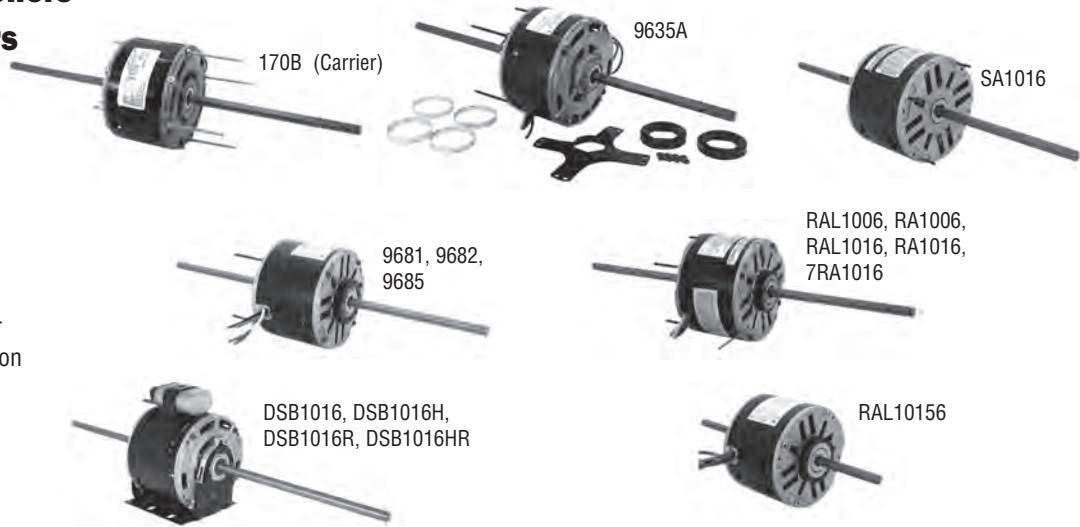


# 5-5/8" Diameter Double Shaft Fan/Blower Motors

## Room Air Conditioners - Fan Coils - Blowers

### Features:

- Auto Protector
- Sleeve Bearing
- CCWLE Rotation
- Continuous Air Over
- Energy Efficient \$
- Permanent Split Capacitor
- Semi-enclosed Construction
- 60 HZ
- 1/2" Dia. Flatted Shafts



### "CONSERVATIONIST™" (CAPACITOR NOT INCLUDED)

| HP   | RPM** | Speeds | Volts   | Amps Rated | Stock Number     | Capacitor   | Dim. Ref. | Notes        |
|------|-------|--------|---------|------------|------------------|-------------|-----------|--------------|
| 1/15 | 1075  | 3      | 115     | .63        | <b>RAL10156</b>  | 3-5MFD/370V | 5         | \$           |
| 1/8  | 1075  | 3      | 115     | 2.0        | <b>RAL1006</b>   | 5MFD-370V   | 1         | 6,24,29,\$   |
| 1/8  | 1075  | 3      | 208-230 | .75        | <b>RA1006</b>    | 5MFD-370V   | 1         | 6,24,31,\$   |
| 1/8  | 1550  | 3      | 115     | 2.3        | <b>9681</b>      | 7.5MFD/370V | 8         | 6,24,31,\$   |
| 1/8  | 1550  | 3      | 208-230 | 1.1        | <b>9682</b>      | 7.5MFD/370V | 8         | 6,24,31,\$   |
| 1/6  | 1075  | 3      | 115     | 2.2        | <b>RAL1016</b>   | 5MFD-370V   | 2         | 6,24,31,\$   |
| 1/6  | 1075  | 3      | 115     | 3.1        | <b>DSB1016</b>   | Included    | 6         | 31,81,\$     |
| 1/6  | 1075  | 3      | 208-230 | .96        | <b>RA1016</b>    | 5MFD-370V   | 1         | 24,31,\$     |
| 1/6  | 1075  | 3      | 208-230 | .96        | <b>SA1016</b>    | 5MFD-370V   | 1         | 31,\$        |
| 1/6  | 1075  | 3      | 230     | 1.2        | <b>DSB1016H</b>  | Included    | 6         | 31,81,\$     |
| 1/6  | 1075  | 3      | 277     | .8         | <b>7RA1016</b>   | 5MFD-370V   | 3         | 24,31,\$     |
| 1/6  | 1550  | 3      | 115     | 2.7        | <b>9685</b>      | 10MFD/370V  | 9         | 6,24,31,\$   |
| 1/6  | 1625  | 3      | 115     | 1.9        | <b>9635A</b>     | 5MFD-370V   | 4         | 24,29,\$     |
| 1/6  | 1625  | 2      | 115     | 2.4        | <b>DSB1016R</b>  | Included    | 7         | 31,81,334,\$ |
| 1/6  | 1625  | 3      | 208-230 | 1.1        | <b>170B</b>      | 5MFD-370V   | 4         | 3,29,\$      |
| 1/6  | 1625  | 2      | 230     | 1.3        | <b>DSB1016HR</b> | Included    | 7         | 31,81,334,\$ |

### Notes:

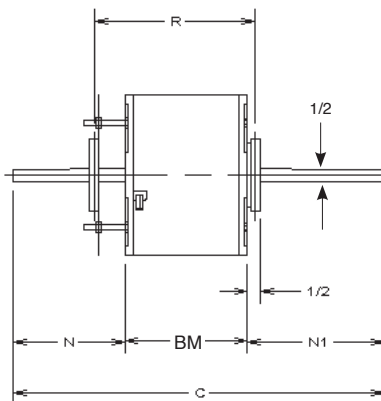
- 3. Special OEM Replacement Motor (see pages 94-132)
  - 6. 60/50 HZ
  - 24. Mounting Accessories Packaged with Motor
  - 29. 60°C Ambient
  - 31. 40°C Ambient
  - 81. Includes base
  - 334. Reversible
- \*\*Approximately 150 RPM difference between speeds

Continues on next page

### Approximate Dimensions

| Ref. | BM   | FC    | N    | N1   |
|------|------|-------|------|------|
| 1    | 3.74 | 20    | 8.26 | 8    |
| 2    | 3.86 | 20    | 8.14 | 8    |
| 3    | 3.86 | 20    | 8.02 | 8.12 |
| 4    | 3.75 | 20.75 | 8.50 | 8.50 |
| 5    | 3.61 | 15.25 | 5.82 | 5.82 |
| 6    | 3.86 | 18.86 | 7.50 | 7.50 |
| 7    | 4.11 | 19.11 | 7.50 | 7.50 |
| 8    | 3.86 | 19.37 | 7.51 | 8.00 |
| 9    | 3.99 | 20    | 7.51 | 8.50 |

Minimum R = BM + 3/4"  
Maximum R = BM + 2"

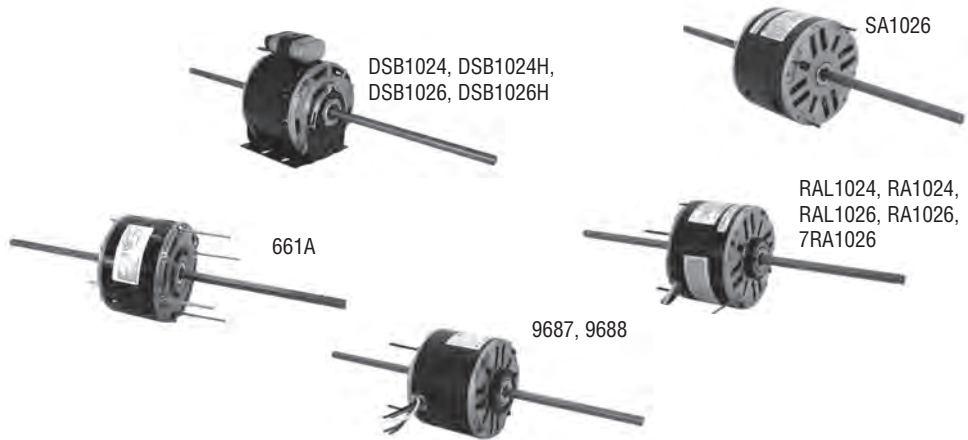


# 5-5/8" Diameter Double Shaft Fan/Blower Motors

## Room Air Conditioners - Fan Coils - Blowers

### Features:

- Auto Protector
- Sleeve Bearing
- CCWLE Rotation
- Continuous Air Over
- Energy Efficient \$
- Permanent Split Capacitor
- Semi-enclosed Construction
- 60 HZ
- 1/2" Dia. Flatted Shafts



"CONSERVATIONIST™" (CAPACITOR NOT INCLUDED)

| HP  | RPM** | Speeds | Volts   | Amps Rated | Stock Number | Capacitor | Dim. Ref. | Notes      |
|-----|-------|--------|---------|------------|--------------|-----------|-----------|------------|
| 1/4 | 1075  | 2      | 115     | 4.4        | DSB1026      | Included  | 2         | 31,81,\$   |
| 1/4 | 1075  | 3      | 115     | 3.4        | RAL1026      | 5MFD-370V | 4         | 6,24,31,\$ |
| 1/4 | 1075  | 3      | 208-230 | 1.5        | RA1026       | 5MFD-370V | 5         | 24,29,\$   |
| 1/4 | 1075  | 3      | 208-230 | 1.5        | SA1026       | 5MFD-370V | 5         | 29,\$      |
| 1/4 | 1075  | 2      | 230     | 1.9        | DSB1026H     | Included  | 2         | 29,81,\$   |
| 1/4 | 1075  | 3      | 277     | 1.3        | 7RA1026      | 5MFD-370V | 6         | 24,31,\$   |
| 1/4 | 1625  | 2      | 115     | 2.4        | DSB1024      | Included  | 1         | 31,81,\$   |
| 1/4 | 1550  | 3      | 115     | 4.9        | 9687         | 4MFD-370V | 9         | 6,24,31,\$ |
| 1/4 | 1625  | 3      | 115     | 3.0        | 661A         | 5MFD-370V | 8         | 29,\$      |
| 1/4 | 1625  | 3      | 115     | 3.4        | RAL1024      | 5MFD-370V | 3         | 24,31,\$   |
| 1/4 | 1550  | 3      | 208-230 | 2.2        | 9688         | 4MFD-370V | 9         | 6,24,31,\$ |
| 1/4 | 1625  | 3      | 208-230 | 1.9        | RA1024       | 5MFD-370V | 3         | 6,24,31,\$ |
| 1/4 | 1625  | 2      | 230     | 1.3        | DSB1024H     | Included  | 1         | 31,81,\$   |

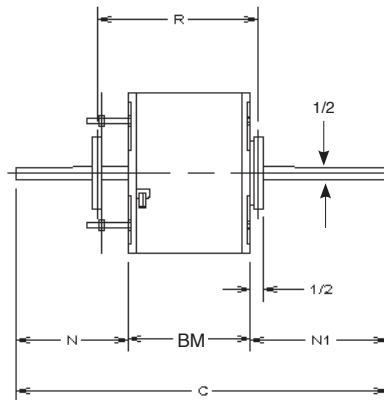
Continues on next page

### Notes:

- 6. 60/50 HZ
- 24. Mounting Accessories Packaged with Motor
- 29. 60°C Ambient
- 31. 40°C Ambient
- 81. Includes base
- \*\*Approximately 150 RPM difference between speeds.

### Approximate Dimensions

| Ref. | BM   | FC    | N    | N1   |
|------|------|-------|------|------|
| 1    | 4.11 | 19.11 | 7.50 | 7.50 |
| 2    | 3.99 | 18.99 | 7.50 | 7.50 |
| 3    | 4.36 | 20    | 7.64 | 8    |
| 4    | 4.24 | 20    | 7.76 | 8    |
| 5    | 4.11 | 20    | 7.89 | 8    |
| 6    | 3.99 | 20    | 7.89 | 8.12 |
| 7    | 4.00 | 23    | 9.50 | 9.50 |
| 8    | 4.00 | 21    | 8.50 | 8.50 |
| 9    | 4.49 | 20    | 7.51 | 8    |



Minimum R = BM + 3/4"  
Maximum R = BM + 2"

## Room Air Conditioners - Fan Coils - Blowers

### Features:

- Auto Protector
- Continuous Duty, Air Over
- Energy Efficient **\$**
- Permanent Split Capacitor
- 1/2" Dia. Flatted Shafts
- CCWLE Rotation
- Sleeve Bearing
- Semi-Enclosed Construction
- 60 Hz

- Lugs available separately
- Use Kit No. 1327 - 1/4" Slot  
1328 - 3/4" Slot  
1329 - Length Adapter

OEM replacement for Chrysler, Sears, Whirlpool, Gibson, Carrier, Quiet Kool, Delco, Singer, American Standard, Fedders, Tappan, York and others.



DSB1034H,  
DSB1036H



RAL1034, RA1034,  
RAL1036, RA1036,  
7RA1036



RAB1036



SA1036V1



RA1036WB

| HP  | RPM** | Speeds | Volts   | Amps Rated | Stock Number    | Capacitor   | Dim. Ref. | Notes      |
|-----|-------|--------|---------|------------|-----------------|-------------|-----------|------------|
| 1/3 | 1075  | 3      | 115     | 5.0        | <b>RAL1036</b>  | 5MFD-370V   | 2         | 6,24,31,\$ |
| 1/3 | 1075  | 3      | 208-230 | 1.9        | <b>RA1036</b>   | 5MFD-370V   | 3         | 24,29,\$   |
| 1/3 | 1075  | 3      | 208-230 | 1.9        | <b>RA1036WB</b> | 5MFD-370V   | 8         | 29,81,\$   |
| 1/3 | 1075  | 3      | 208-230 | 2.2        | <b>SA1036V1</b> | 5MFD-370V   | 4         | 31,\$      |
| 1/3 | 1075  | 3      | 230     | 1.9        | <b>RAB1036</b>  | 5MFD-370V   | 6         | 31,118,\$  |
| 1/3 | 1075  | 3      | 230     | 3.1        | <b>DSB1036H</b> | Included    | 7         | 31,81,\$   |
| 1/3 | 1075  | 3      | 277     | 1.9        | <b>7RA1036</b>  | 7.5MFD-370V | 5         | 24,31,\$   |
| 1/3 | 1625  | 3      | 115     | 4.0        | <b>RAL1034</b>  | 5MFD-370V   | 1         | 6,24,31,\$ |
| 1/3 | 1625  | 3      | 208-230 | 2.0        | <b>RA1034</b>   | 5MFD-370V   | 1         | 24,90,\$   |
| 1/3 | 1625  | 3      | 230     | 2.0        | <b>DSB1034H</b> | Included    | 9         | 31,81,\$   |

### Notes:

- 6. 60/50 HZ
- 24. Mounting accessories packaged with motor
- 29. 60°C Ambient
- 31. 40°C Ambient
- 81. Includes base
- 90. 50°C Ambient
- 118. TEAO

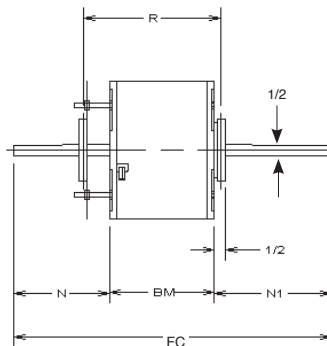
\*\*Approximately 150 RPM difference between speeds.

Continues on next page

### Approximate Dimensions

| Ref. | BM   | FC    | N    | N1   |
|------|------|-------|------|------|
| 1    | 4.61 | 20.00 | 7.39 | 8.00 |
| 2    | 4.86 | 20.00 | 7.89 | 7.25 |
| 3    | 4.61 | 20.00 | 8.14 | 7.25 |
| 4    | 4.11 | 20.00 | 7.95 | 7.94 |
| 5    | 4.61 | 20.00 | 7.64 | 7.75 |
| 6    | 4.49 | 13.49 | 4.00 | 5.00 |
| 7    | 4.36 | 19.36 | 7.50 | 7.50 |
| 8    | 4.61 | 20.11 | 6.50 | 9.00 |
| 9    | 4.49 | 19.49 | 7.50 | 7.50 |

Minimum R = BM + 3/4"  
Maximum R = BM + 2"



# 5-5/8" Diameter Double Shaft Fan/Blower Motors

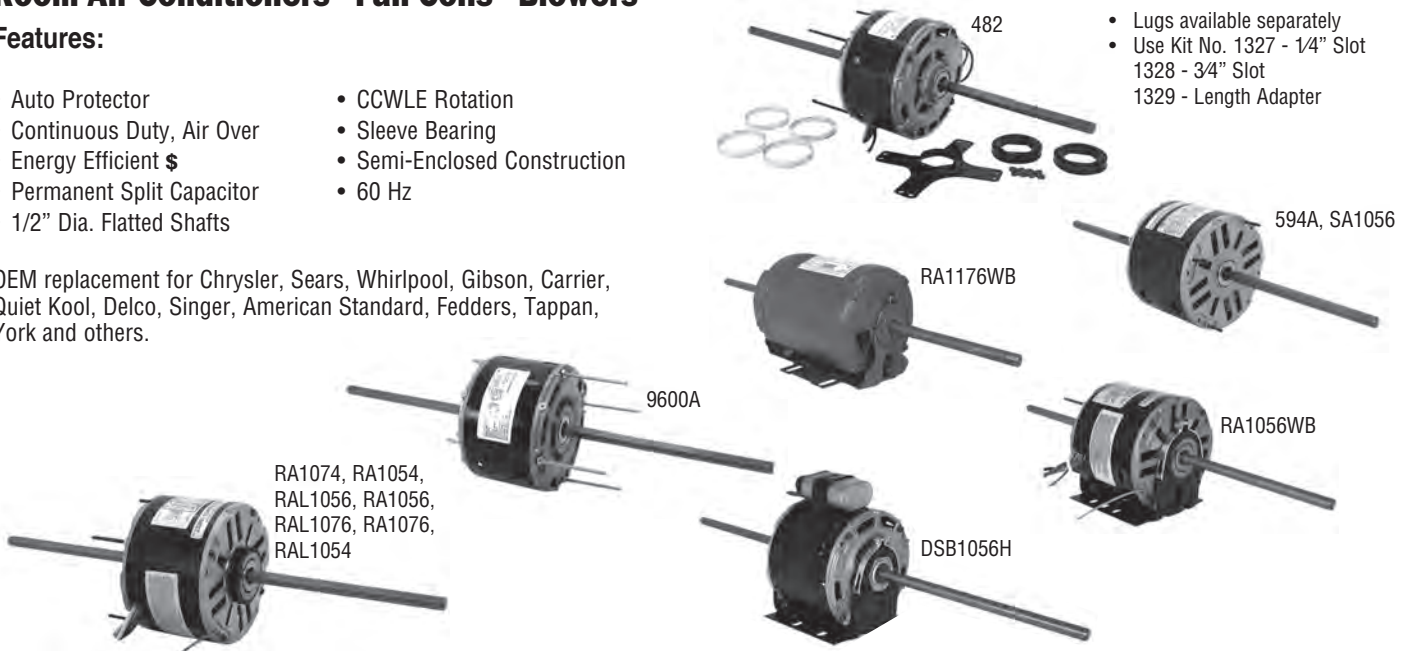
## Room Air Conditioners - Fan Coils - Blowers

### Features:

- Auto Protector
- Continuous Duty, Air Over
- Energy Efficient \$
- Permanent Split Capacitor
- 1/2" Dia. Flatted Shafts
- CCWLE Rotation
- Sleeve Bearing
- Semi-Enclosed Construction
- 60 Hz

OEM replacement for Chrysler, Sears, Whirlpool, Gibson, Carrier, Quiet Kool, Delco, Singer, American Standard, Fedders, Tappan, York and others.

- Lugs available separately
- Use Kit No. 1327 - 1/4" Slot
- 1328 - 3/4" Slot
- 1329 - Length Adapter

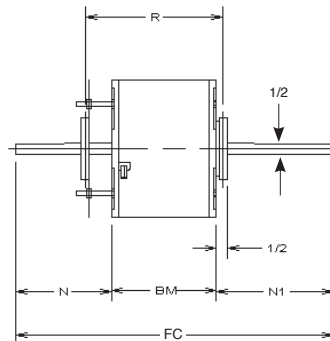


| HP  | RPM** | Speeds | Volts   | Amps Rated | Stock Number | Capacitor   | Dim. Ref. | Notes              |
|-----|-------|--------|---------|------------|--------------|-------------|-----------|--------------------|
| 1/2 | 1075  | 3      | 115     | 5.2        | RAL1056      | 10MFD-370V  | 4         | 24,31,\$           |
| 1/2 | 1075  | 3      | 115     | 6.8        | 594A         | 10MFD-370V  | 2         | 29,\$              |
| 1/2 | 1075  | 3      | 208-230 | 2.7        | RA1056       | 7.5MFD-370V | 3         | 24,29,\$           |
| 1/2 | 1075  | 3      | 208-230 | 2.7        | SA1056       | 7.5MFD-370V | 3         | 29,\$              |
| 1/2 | 1075  | 3      | 208-230 | 2.7        | RA1056WB     | 7.5MFD-370V | 6         | 29,81,\$           |
| 1/2 | 1075  | 2      | 230     | 4.0        | DSB1056H     | Included    | 8         | 31,81,\$           |
| 1/2 | 1625  | 3      | 115     | 6.0        | RAL1054      | 5MFD-370V   | 3         | 24,31,\$           |
| 1/2 | 1625  | 3      | 208-230 | 3.2        | RA1054       | 5MFD-370V   | 3         | 6,24,31,\$         |
| 3/4 | 1075  | 3      | 115     | 12.6       | 9600A        | 10MFD-370V  | 1         | 31,\$              |
| 3/4 | 1075  | 3      | 115     | 8.2        | RAL1076      | 15MFD-370V  | 4         | 24,31,\$           |
| 3/4 | 1075  | 1      | 200-230 | 4.4-4.2    | RA1176WB     | 25MFD-370V  | 7         | 2,29,81,159,348,\$ |
| 3/4 | 1075  | 3      | 208-230 | 3.6        | RA1076       | 7.5MFD-370V | 4         | 24,31,\$           |
| 3/4 | 1625  | 3      | 208-230 | 3.8        | RA1074       | 7.5MFD-370V | 5         | 24,31,\$           |
| 3/4 | 1625  | 3      | 208-230 | 4.2        | 482          | 7.5MFD-370V | 2         | 1,24,31,\$         |

### Notes:

1. Item to be discontinued when stock is depleted
  2. Ball bearing
  6. 60/50 HZ
  24. Mounting Accessories Packaged with Motor
  29. 60°C Ambient
  31. 40°C Ambient
  81. Includes base
  159. Open drip proof
  348. 6-1/2" diameter
- \*\*Approximately 150 RPM difference between speeds.

Minimum R = BM + 3/4"  
Maximum R = BM + 2"



### Approximate Dimensions

| Ref. | BM    | FC    | N    | N1   |
|------|-------|-------|------|------|
| 1    | 5.50  | 21.50 | 8.00 | 8.00 |
| 2    | 5.25  | 20.25 | 7.50 | 7.50 |
| 3    | 5.11  | 20.00 | 7.64 | 7.25 |
| 4    | 5.36  | 20.00 | 7.39 | 7.25 |
| 5    | 5.61  | 20.00 | 7.14 | 7.25 |
| 6    | 5.11  | 21.74 | 8.63 | 8.00 |
| 7    | 10.26 | 23.88 | 6.81 | 6.81 |
| 8    | 4.86  | 19.86 | 7.50 | 7.50 |

# 5-5/8" Diameter Fan/Blower Motors

## Room Air Conditioners - Fan Coils - Blowers

### Features:

- Auto Protector
- Continuous Air Over
- Energy Efficient \$
- Fleximount
- Open Construction
- Permanent Split Capacitor
- Reversible
- Sleeve Bearing
- 1/2" Dia. - Flatted Shaft
- 24" Leads Minimum
- 40°-50°-60° C Ambient
- 48 Frame (5-5/8" Dia.)
- 60 HZ
- 2 hole lugs replace both 9" and 10" bolt circle



9421V1, 9422V1, 754A, 9431A, 9432A, 9647



9435V1A (Titus)



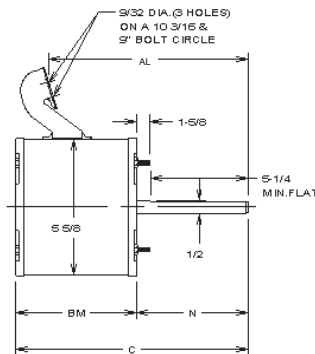
FML1026, FM1026, FML1036, FM1036, FML1056, FM1056, 753A FM1076, FML1076V1, 9433A, 9434A, 752A

### "FLEXIMOUNT" DESIGNED FOR 9" AND 10" SHAFT MOUNTED BLOWER WHEELS (CAPACITOR NOT INCLUDED)

| HP  | RPM  | Speeds | Volts   | Amps  |      | Stock Number | Capacitor   | Dim. Ref. | Notes         |
|-----|------|--------|---------|-------|------|--------------|-------------|-----------|---------------|
|     |      |        |         | Rated | Max. |              |             |           |               |
| 1/6 | 1075 | 3      | 115     | 2.7   |      | 9647         | 5MFD-370V   | 13        | 9,31,\$       |
| 1/6 | 1075 | 3      | 277     | .78   |      | 9431A        | 5MFD-370V   | 5         | 10,29,\$      |
| 1/4 | 1075 | 3      | 115     | 3.5   | 3.6  | FML1026      | 7.5MFD-370V | 1         | 9,90,\$       |
| 1/4 | 1075 | 4      | 115     | 3.9   |      | 752A         | 5MFD-370V   | 5         | 9,90,\$       |
| 1/4 | 1075 | 3      | 208-230 | 1.4   | 1.5  | FM1026       | 5MFD-370V   | 1         | 6,9,90,\$     |
| 1/4 | 1075 | 3      | 277     | 1.2   |      | 9432A        | 5MFD-370V   | 13        | 10,29,\$      |
| 1/3 | 1075 | 3      | 115     | 6.0   | 7.6  | FML1036      | 10MFD-370V  | 2         | 9,90,\$       |
| 1/3 | 1075 | 4      | 115     | 5.6   |      | 753A         | 5MFD-370V   | 7         | 9,31,\$       |
| 1/3 | 1075 | 3      | 208-230 | 2.7   | 3.7  | FM1036       | 7.5MFD-370V | 2         | 6,9,90,\$     |
| 1/3 | 1075 | 3      | 277     | 1.9   |      | 9433A        | 7.5MFD-370V | 8         | 9,31,\$       |
| 1/2 | 1075 | 3      | 115     | 8.0   | 12.3 | FML1056      | 10MFD-370V  | 3         | 9,90          |
| 1/2 | 1075 | 4      | 115     | 8.9   |      | 754A         | 7.5MFD-370V | 9         | 9,31,\$       |
| 1/2 | 1075 | 3      | 208-230 | 3.4   | 4.9  | FM1056       | 10MFD-370V  | 3         | 9,90,\$       |
| 1/2 | 1075 | 1      | 277     | 2.8   |      | 9435V1A      | 10MFD-370V  | 10        | 3,9,31,79,\$  |
| 1/2 | 1075 | 3      | 277     | 2.1   |      | 9434A        | 7.5MFD-370V | 9         | 9,29          |
| 1/2 | 1075 | 2      | 460     | 1.51  |      | 9421V1A      | 7.5MFD-370V | 11        | 9,31,302,\$   |
| 3/4 | 1075 | 4      | 115     | 10.9  |      | FML1076V1    | 15MFD-370V  | 4         | 6,9,90,207,\$ |
| 3/4 | 1075 | 3      | 208-230 | 4.9   | 5.9  | FM1076       | 10MFD-370V  | 4         | 9,90,207      |
| 3/4 | 1075 | 2      | 460     | 2.2   |      | 9422V1A      | 10MFD-440V  | 12        | 9,31,302,\$   |

### Notes:

- Special OEM Replacement Motor (see pages 94-132)
- 60/50 HZ
- Reversing plug
- Reversible/quick connect terminals
- 60°C Ambient
- 40°C Ambient
- Leadless Design
- 50°C Ambient
- Fleximount arms are not attached to motor – bellyband with Fleximount arms is packed with motor
- 11" Leads min.



### Approximate Dimensions

| Ref. | BM   | C     | N    | AL   |
|------|------|-------|------|------|
| 1    | 4.11 | 10.11 | 6    | 9    |
| 2    | 4.36 | 10.36 | 6    | 9    |
| 3    | 4.86 | 10.86 | 6    | 9    |
| 4    | 5.36 | 11.36 | 6    | 9    |
| 5    | 4.25 | 9.77  | 5.52 | 8.03 |
| 6    | 4.50 | 9.00  | 4.50 | 9.18 |
| 7    | 4.75 | 10.27 | 5.52 | 8.33 |
| 8    | 4.75 | 10.27 | 5.52 | 8.03 |
| 9    | 5.50 | 11.02 | 5.52 | 8.45 |
| 10   | 5    | 9.50  | 4.50 | 7.70 |
| 11   | 5    | 9.50  | 4.50 | 8.48 |
| 12   | 5.50 | 10.00 | 4.50 | 8.48 |
| 13   | 4.24 | 9.74  | 5.50 | 8.50 |

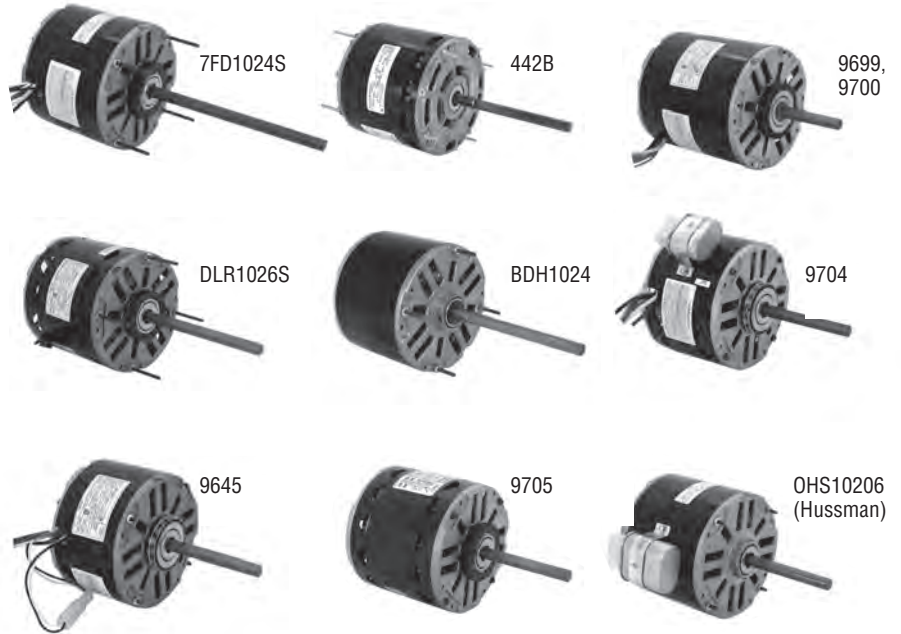


## Direct Drive Fan & Blower Motors

### Features:

- Auto Protector
- Continuous Duty, Air Over
- Energy Efficient \$
- Electrically Reversible
- Permanent Split Capacitor
- Sleeve & Ball Bearing

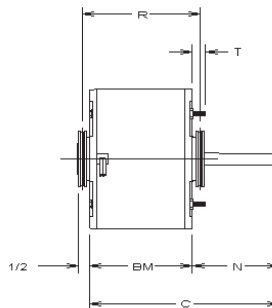
OEM replacement for Bard, Chrysler, York, Armstrong, Johnson, Janitrol, Bohn, Lennox, Copeland, Fedders, Heil Quaker, American Standard, Bryant, Westinghouse, Carrier, Peerless and others.



### SINGLE AND TWO SPEED – ELECTRICALLY REVERSIBLE

| HP      | RPM** | Speeds | Volts       | Amps        | Stock Number | Capacitor   | Bearings | Enclosure  | Dim. Ref. | Notes            |
|---------|-------|--------|-------------|-------------|--------------|-------------|----------|------------|-----------|------------------|
| 1/8     | 1550  | 1      | 115/208-230 | 2.7/1.2-1.4 | 9704         | Included    | Sleeve   | Open       | 3         | 6,7,31,44,239,\$ |
| 1/8     | 1550  | 1      | 208-230     | .96         | 9705         | 7.5MFD-370V | Sleeve   | Open       | 4         | 6,7,31,44,\$     |
| 1/6     | 1075  | 1      | 208-230     | .91         | 442B         | 5MFD-370V   | Sleeve   | Semi-encl. | 1         | 27,29,\$         |
| 1/6     | 1075  | 1      | 208-230     | .95         | 442C         | 5MFD-370V   | Sleeve   | Open       | 1         | 7,27,29,\$       |
| 1/6     | 1550  | 1      | 115/208-230 | 2.8/1.4-1.4 | 9699         | 10MFD-370V  | Sleeve   | Semi-encl. | 5         | 6,7,31,44,\$     |
| 1/6     | 1625  | 1      | 208-230     | 1.0         | 9645         | 5MFD-370V   | Sleeve   | Semi-encl. | 10        | 7,9,31,\$        |
| 1/5     | 1075  | 1      | 208-230     | 1.3-1.4     | OHS10206     | Included    | Ball     | Semi-encl. | 11        | 3,31,229,239,\$  |
| 1/4     | 1075  | 1      | 115         | 3.6         | DLR1026S     | Included    | Sleeve   | Open       | 9         | 7,31,44,\$       |
| 1/4     | 1075  | 1      | 208-230     | 1.5         | 443B         | 5MFD-370V   | Sleeve   | Open       | 8         | 7,9,29,\$        |
| 1/4     | 1550  | 1      | 115/208-230 | 4.9/2.5-2.5 | 9700         | 4MFD-370V   | Sleeve   | Semi-encl. | 7         | 7,31,44,\$       |
| 1/4     | 1625  | 1      | 277         | 1.35        | 7FD1024S     | 3MFD-370V   | Sleeve   | Semi-encl. | 2         | 90,232,\$        |
| 1/4~1/6 | 1625  | 2      | 460         | 0.9-0.7     | BDH1024      | Included    | Ball     | Semi-encl. | 6         | 9,25,29,75,\$    |

- Notes:**
3. Special OEM Replacement Motor (see pages 94-132)
  6. 60/50 HZ
  7. Resilient mounting rings Included
  9. Reversing plug
  25. Has hex mounting hub on both ends for cradle base mounting
  27. Extended thru bolts, both ends
  29. 60°C Ambient
  31. 40°C Ambient
  44. CCWLE rotation only
  75. Mounting rings not included
  90. 50°C Ambient
  229. CWLE rotation
  232. Closed main frame, 2-1/2" rings, 14" leads
  239. Capacitor attached
- \*\*Approx 150 RPM between speeds



Continues on next page

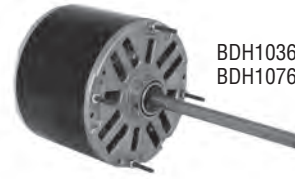
### Approximate Dimensions

| Ref. | BM   | R    | C     | N    | T    |
|------|------|------|-------|------|------|
| 1    | 3.50 |      | 9.03  | 5.53 | .55  |
| 2    | 4.49 | 5.05 | 12.49 | 8.00 | 1.50 |
| 3    | 4.11 | 4.67 | 8.61  | 4.50 |      |
| 4    | 3.61 | 4.17 | 8.11  | 4.00 |      |
| 5    | 3.86 | 4.42 | 8.36  | 4.00 |      |
| 6    | 4.86 |      | 11.30 | 6.44 | 1.63 |
| 7    | 4.49 | 5.05 | 8.99  | 4.50 |      |
| 8    | 4.00 | 4.56 | 9.52  | 5.52 | .58  |
| 9    | 4.11 | 4.67 | 7.11  | 3.00 | .70  |
| 10   | 3.61 | 4.17 | 8.11  | 4.50 |      |
| 11   | 4.11 |      | 7.11  | 3.00 | .70  |

## Direct Drive Fan & Blower Motors

### Features:

- Auto Protector
- Continuous Duty, Air Over
- Electrically Reversible
- Permanent Split Capacitor
- Energy Efficient \$
- Sleeve & Ball Bearing
- 60°C Ambient



BDH1036, BDH1054,  
BDH1076

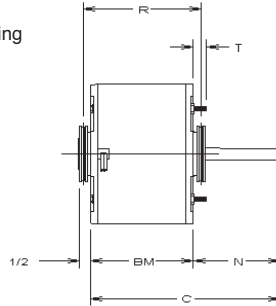
OEM replacement for Bard, Chrysler, York, Armstrong, Johnson, Janitrol, Bohn, Lennox, Copeland, Fedders, Heil Quaker, American Standard, Bryant, Westinghouse, Carrier, Peerless and others.

### SINGLE AND TWO SPEED – ELECTRICALLY REVERSIBLE

| HP      | RPM** | Speeds | Volts | Amps    | Stock Number   | Capacitor | Bearings | Enclosure  | Dim. Ref. | Notes          |
|---------|-------|--------|-------|---------|----------------|-----------|----------|------------|-----------|----------------|
| 1/3~1/4 | 1075  | 2      | 460   | 1.2-.86 | <b>BDH1036</b> | Included  | Ball     | Semi-encl. | 3         | 9,25,75,149,\$ |
| 1/2~1/3 | 1625  | 2      | 460   | 1.4-1.3 | <b>BDH1054</b> | Included  | Ball     | Semi-encl. | 1         | 6,9,25,75,\$   |
| 3/4~1/2 | 1075  | 2      | 460   | 2.2-1.1 | <b>BDH1076</b> | Included  | Ball     | Semi-encl. | 2         | 9,25,75,149,\$ |

#### Notes:

- 6. 60/50 HZ
- 9. Reversing plug
- 25. Has hex mounting hub on both ends for cradle base mounting
- 75. Mounting rings not included
- 149. Reconnect for separate speeds
- \*\*Approx 150 RPM between speeds



### Approximate Dimensions

| Ref. | BM   | R | C     | N    | T    |
|------|------|---|-------|------|------|
| 1    | 5.36 |   | 11.80 | 6.44 | 1.63 |
| 2    | 5.74 |   | 12.18 | 6.44 | 1.63 |
| 3    | 5.11 |   | 11.11 | 6.44 | 1.63 |

# 5-5/8" Diameter (High Efficiency) Indoor Blower Motors

## Direct Drive Fan & Blower Motors

### Features:

- Auto Protector
- Continuous Air Over
- 23" Leads (Minimum)
- 60 HZ
- Resilient Mounting Ring Included
- Open Construction
- Permanent Split Capacitor
- High Efficient \$
- Multiple Mount
- 1/2" Dia.- Flatted Shaft
- 40°, 50° and 60°C Ambients
- 48 Frame (5-5/8" Dia.)
- Reversible

FDL1016, 7FD1016, FDL1024, FD1024, FDL1026, FD1026, 7FD1026, FDL1034, FD1034, FDL1036, FD1036, 7FD1036, DLR1026, DLR10236



### THREE SPEED – ELECTRICALLY REVERSIBLE (CAPACITOR NOT INCLUDED)

| HP  | RPM  | Speeds | Volts   | Amps  |      | Stock Number | Capacitor   | Bearings | Dim. Ref. | Notes      |
|-----|------|--------|---------|-------|------|--------------|-------------|----------|-----------|------------|
|     |      |        |         | Rated | Max. |              |             |          |           |            |
| 1/6 | 1075 | 3      | 115     | 2.5   | 3.0  | FDL1016      | 7.5MFD-370V | Sleeve   | 7         | 9,90,\$    |
| 1/6 | 1075 | 3      | 277     | 0.8   | 0.9  | 7FD1016      | 5MFD-370V   | Sleeve   | 6         | 9,90,\$    |
| 1/4 | 1075 | 3      | 115     | 3.2   | 4.1  | FDL1026      | 7.5MFD-370V | Sleeve   | 2         | 9,90,\$    |
| 1/4 | 1075 | 3      | 115     | 3.5   |      | DLR1026      | Included    | Sleeve   | 9         | 31,\$      |
| 1/4 | 1075 | 3      | 208-230 | 1.5   | 1.9  | FD1026       | 5MFD-370V   | Sleeve   | 2         | 9,90,\$    |
| 1/4 | 1075 | 3      | 277     | 1.3   | 1.6  | 7FD1026      | 5MFD-370V   | Sleeve   | 7         | 9,90,\$    |
| 1/4 | 1625 | 3      | 115     | 3.0   | 5.0  | FDL1024      | 10MFD-370V  | Sleeve   | 1         | 9,31,\$    |
| 1/4 | 1625 | 3      | 208-230 | 1.8   | 3.2  | FD1024       | 5MFD-370V   | Sleeve   | 1         | 9,31,\$    |
| 1/3 | 1075 | 3      | 115     | 4.2   | 6.0  | FDL1036      | 7.5MFD-370V | Sleeve   | 3         | 9,90,\$    |
| 1/3 | 1075 | 3      | 115     | 4.9   |      | DLR10236     | Included    | Sleeve   | 5         | 9,31,\$    |
| 1/3 | 1075 | 3      | 115     | 5.3   |      | 148A         | 5MFD-370V   | Ball     | 4         | 9,29,\$    |
| 1/3 | 1075 | 3      | 208-230 | 2.1   | 3.0  | FD1036       | 5MFD-370V   | Sleeve   | 3         | 9,90,\$    |
| 1/3 | 1075 | 3      | 277     | 1.9   | 2.1  | 7FD1036      | 7.5MFD-370V | Sleeve   | 8         | 9,90,\$    |
| 1/3 | 1625 | 3      | 115     | 4.0   | 6.2  | FDL1034      | 15MFD-370V  | Sleeve   | 3         | 9,31,\$    |
| 1/3 | 1625 | 3      | 208-230 | 2.0   | 3.4  | FD1034       | 5MFD-370V   | Sleeve   | 3         | 9,90,\$    |
| 1/3 | 1625 | 3      | 208-230 | 2.1   |      | 454A         | 5MFD-370V   | Ball     | 6         | 9,29,72,\$ |

### Notes:

- 9. Reversing plug
- 29. 60°C Ambient
- 31. 40°C Ambient
- 72. No brake kit available
- 90. 50°C Ambient

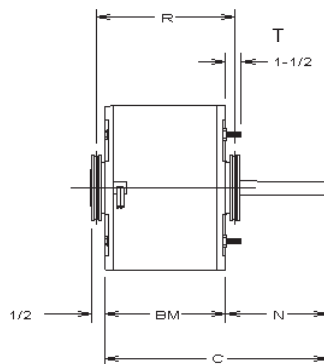
Continues on next page

### Approximate Dimensions

| Ref. | BM   | R    | C     | N    | T    |
|------|------|------|-------|------|------|
| 1    | 4.36 | 4.92 | 10.80 | 6.44 | 1.62 |
| 2    | 4.11 | 4.67 | 10.55 | 6.44 | 1.62 |
| 3    | 4.61 | 5.17 | 11.05 | 6.44 | 1.62 |
| 4    | 4.25 | 4.72 | 9.77  | 5.52 | 1.38 |
| 5    | 4.50 | 4.97 | 10.02 | 5.52 | 0.61 |
| 6    | 3.74 | 4.31 | 10.18 | 5.94 | 1.63 |
| 7    | 3.86 | 4.42 | 10.30 | 6.44 | 1.62 |
| 8    | 4.49 | 5.05 | 10.93 | 6.44 | 1.62 |
| 9    | 4.11 | 4.67 | 9.61  | 5.50 | 1.00 |



Adapter Kit  
619432-174  
for Fleximount

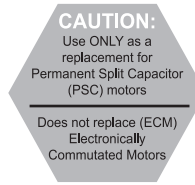


## Comfort Select™~FB

### High Efficient Furnace Blower Motors Utilizing ECM Technology

#### Features:

- Peak efficiency of 82%
- Automatic detection of correct rotation for both backward and forward curved blowers
- Learn mode that provides improved efficiency and greater flexibility for matching PSC motor performance in a furnace/air-handler unit



CSL1056,  
CSL1106,  
CS1056,  
CS1106

| HP  | RPM      | Speeds | Volts   | Amps    | Stock Number | Frame Size | Insulation | Shaft Dia. & Length | Motor Length | Notes    |
|-----|----------|--------|---------|---------|--------------|------------|------------|---------------------|--------------|----------|
| 1/2 | 1100-600 | 5      | 115     | 6.3     | CSL1056      | 48         | F          | 1/2 x 4"            | 5.72"        | \$, New! |
| 1   | 1100-600 | 5      | 115     | 11.6    | CSL1106      | 48         | F          | 1/2 x 4"            | 7.21"        | \$, New! |
| 1/2 | 1100-600 | 5      | 208-277 | 3.6-3.0 | CS1056       | 48         | F          | 1/2 x 4"            | 5.72"        | \$, New! |
| 1   | 1100-600 | 5      | 208-277 | 6.9-5.7 | CS1106       | 48         | F          | 1/2 x 4"            | 7.21"        | \$, New! |

## Fan Coils - Dual Wheel Blower

#### Features:

- Auto Protector
- Continuous Air Over
- High Efficient \$
- Open Construction
- Multiple Mount
- Resilient Mounting Rings Included
- Reversible
- Permanent Split Capacitor
- 1/2" Dia. - Flatted Shaft
- 23" Leads (Minimum)
- 40°, 50° and 60°C Ambient
- 48 Frame (5-5/8" Dia.)
- 60 HZ



FDL1054, FD1054,  
FDL1056, FD1056,  
7FD1056

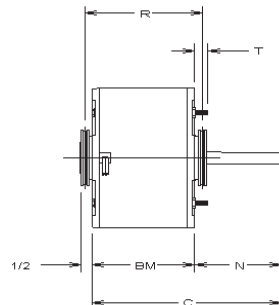
OEM replacement for Bard, Chrysler, York, Armstrong, Johnson, Janitrol, Bohn, Lennox, Copeland, Fedders, Heil Quaker, American Standard, Bryant, Westinghouse, Carrier, Peerless and others.

### THREE SPEED – ELECTRICALLY REVERSIBLE (CAPACITOR NOT INCLUDED)

| HP  | RPM** | Speeds | Volts   | Amps | Stock Number | Capacitor   | Bearings | Dim. Ref. | Notes   |
|-----|-------|--------|---------|------|--------------|-------------|----------|-----------|---------|
| 1/2 | 1075  | 3      | 115     | 5.6  | FDL1056      | 10MFD-370V  | Sleeve   | 2         | 9,90,\$ |
| 1/2 | 1075  | 3      | 208-230 | 2.7  | FD1056       | 7.5MFD-370V | Sleeve   | 2         | 9,90,\$ |
| 1/2 | 1075  | 3      | 208-230 | 3.0  | 149A         | 7.5MFD-370V | Ball     | 1         | 9,29,\$ |
| 1/2 | 1075  | 3      | 277     | 2.2  | 7FD1056      | 10MFD-370V  | Sleeve   | 3         | 9,90,\$ |
| 1/2 | 1625  | 3      | 115     | 7.6  | FDL1054      | 15MFD-370V  | Sleeve   | 2         | 9,31,\$ |
| 1/2 | 1625  | 3      | 208-230 | 2.8  | FD1054       | 7.5MFD-370V | Sleeve   | 2         | 9,31,\$ |

#### Notes:

- 9. Reversing plug
- 29. 60° C Ambient
- 31. 40° C Ambient
- 90. 50° C Ambient
- \*\*Approx 150 rpm between speeds



Continues on next page

### Approximate Dimensions

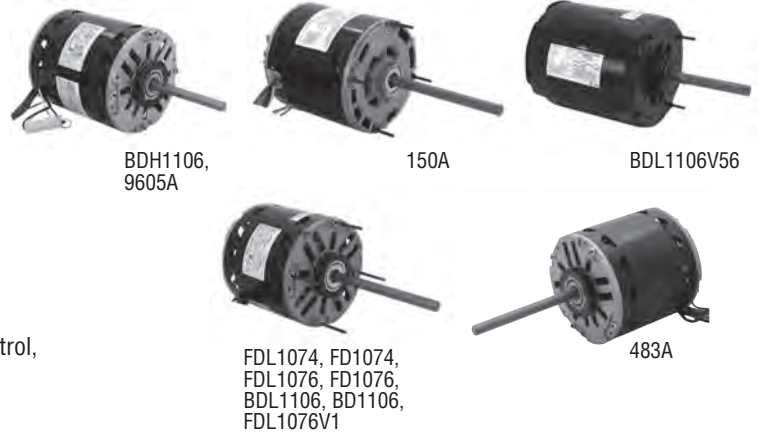
| Ref. | BM   | R    | C     | N    | T    |
|------|------|------|-------|------|------|
| 1    | 5.00 | 5.47 | 9.98  | 4.98 | 0.61 |
| 2    | 5.11 | 5.67 | 11.55 | 6.44 | 1.62 |
| 3    | 5.36 | 5.92 | 11.80 | 6.44 | 1.62 |

## 5-5/8" Diameter Stock Motors (High Efficiency)

### Direct Drive Fan & Blower Motors

#### Features:

- Auto Protector
- Continuous Air Over
- High Efficient \$
- Open Construction
- Multiple Mount
- Reversible
- Permanent Split Capacitor
- 1/2" Dia. - Flatted Shaft
- 22" Leads (Minimum)
- 48 Frame (5-5/8" Dia.)
- 60 HZ
- 40°, 50°, 60° C Ambients



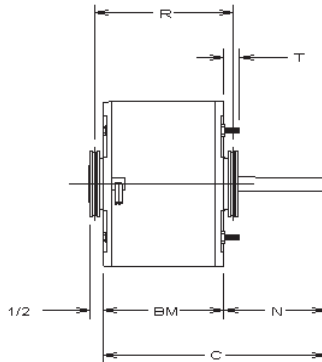
OEM replacement for Bard, Chrysler, York, Armstrong, Johnson, Janitrol, Bohn, Lennox, Copeland, Fedders, Heil Quaker, American Standard, Bryant, Westinghouse, Carrier, Peerless and others.

#### THREE SPEED – ELECTRICALLY REVERSIBLE (CAPACITOR NOT INCLUDED)

| HP  | RPM** | Speeds | Volts   | Amps | Stock Number     | Capacitor   | Bearings | Dim. Ref. | Notes             |
|-----|-------|--------|---------|------|------------------|-------------|----------|-----------|-------------------|
| 3/4 | 1075  | 3      | 115     | 9.8  | <b>FDL1076</b>   | 15MFD-370V  | Sleeve   | 3         | 7,9,90,\$         |
| 3/4 | 1075  | 5      | 115     | 8.0  | <b>FDL1076V1</b> | 40MFD-370V  | Sleeve   | 3         | 7,9,31,\$         |
| 3/4 | 1075  | 3      | 208-230 | 4.9  | <b>FD1076</b>    | 10MFD-370V  | Sleeve   | 4         | 7,9,90,\$         |
| 3/4 | 1075  | 3      | 208-230 | 4.7  | <b>150A</b>      | 10MFD-370V  | Ball     | 2         | 9,31,75,\$        |
| 3/4 | 1075  | 3      | 277     | 3.9  | <b>9605A</b>     | 20MFD-370V  | Sleeve   | 1         | 7,9,165,\$        |
| 3/4 | 1625  | 3      | 115     | 8.5  | <b>FDL1074</b>   | 15MFD-370V  | Sleeve   | 3         | 7,9,31,\$         |
| 3/4 | 1625  | 3      | 208-230 | 4.0  | <b>FD1074</b>    | 7.5MFD-370V | Sleeve   | 3         | 7,9,31,\$         |
| 3/4 | 1625  | 3      | 208-230 | 4.9  | <b>483A</b>      | 7.5MFD-370V | Ball     | 7         | 7,9,31,165,\$     |
| 1   | 1075  | 3      | 115     | 12.3 | <b>BDL1106</b>   | 20MFD-370V  | Ball     | 5         | 7,9,31,310,\$     |
| 1   | 1075  | 3      | 208-230 | 5.1  | <b>BD1106</b>    | 20MFD-370V  | Ball     | 3         | 7,9,31,310,\$     |
| 1   | 1100  | 3      | 460     | 3.2  | <b>BDH1106</b>   | 15MFD-370V  | Ball     | 6         | 7,9,31,149,165,\$ |

#### Notes:

- 7. Resilient Mounting Rings Included
- 9. Reversing plug
- 31. 40° C Ambient
- 75. Mounting rings not included
- 90. 50° C Ambient
- 149. Reconnect for separate speeds
- 165. No extended thru bolts
- 310. 1/2" Double flat shaft, 2-1/2" rings
- \*\*Approx 150 rpm between speeds



#### Approximate Dimensions

| Ref. | BM   | R    | C     | N    | T    |
|------|------|------|-------|------|------|
| 1    | 5.50 | 6.00 | 11.00 | 5.50 | —    |
| 2    | 5.50 | 6.00 | 11.50 | 6.00 | 0.98 |
| 3    | 5.61 | 6.17 | 12.05 | 6.44 | 1.62 |
| 4    | 5.36 | 5.92 | 11.80 | 6.44 | 1.63 |
| 5    | 6.00 | 6.50 | 11.92 | 5.92 | 0.61 |
| 6    | 5.86 | 6.42 | 12.30 | 6.44 | 1.55 |
| 7    | 5.36 | 5.92 | 11.36 | 6.00 | —    |
| 8    | 5.25 | 5.75 | 11.25 | 6.00 | —    |
| 9    | 5.50 | 6.00 | 11.48 | 5.98 | 0.61 |
| 10   | 8.84 | 9.34 | 15.84 | 6.00 | 0.88 |



# 5-5/8" Diameter (Standard Efficiency) Indoor Blower Motors

## Fan Coils - Dual Wheel Blower

### Features:

- Auto Protector
- Class B Insulation
- Continuous Air Over
- Lead Reversible
- Open Construction
- Permanent Split Capacitor
- 40° C Ambient
- Sleeve Bearing
- Standard Efficiency
- 2-1/4" Rings with 2-1/2" Adapters included
- 26" Leads
- 48 Frame (5-5/8" Dia.)
- 60 HZ only



### STANDARD EFFICIENCY, REPLACES GE 3583, 84, 85, 86, 87, 88, 89, 90 (CAPACITOR NOT INCLUDED)

| HP  | RPM** | Speeds | Volts   | Amps  |      | Stock Number | Capacitor   | Bearings | Dim. Ref. | Notes |
|-----|-------|--------|---------|-------|------|--------------|-------------|----------|-----------|-------|
|     |       |        |         | Rated | Max. |              |             |          |           |       |
| 1/4 | 1075  | 3      | 115     | 3.5   | 4.6  | DL1026       | 5MFD/370V   | Sleeve   | 1         |       |
| 1/4 | 1075  | 3      | 208-230 | 1.8   | 2.2  | D1026        | 5MFD/370V   | Sleeve   | 1         |       |
| 1/3 | 1075  | 3      | 115     | 4.9   | 6.4  | DL1036       | 7.5MFD/370V | Sleeve   | 3         |       |
| 1/3 | 1075  | 3      | 208-230 | 2.6   | 3.1  | D1036        | 5MFD/370V   | Sleeve   | 2         |       |
| 1/2 | 1075  | 3      | 115     | 6.5   | 9.0  | DL1056       | 10MFD/370V  | Sleeve   | 6         |       |
| 1/2 | 1075  | 3      | 208-230 | 3.2   | 4.3  | D1056        | 7.5MFD/370V | Sleeve   | 4         |       |
| 3/4 | 1075  | 3      | 115     | 8.9   | 10.3 | DL1076       | 15MFD/370V  | Sleeve   | 5         | 90    |
| 3/4 | 1075  | 3      | 208-230 | 4.0   | 5.0  | D1076        | 10MFD/370V  | Sleeve   | 5         |       |

### 2 SPEED-STANDARD EFFICIENCY, REPLACES GE 3383, 84, 85, 86, 87, 88, 89, 90 (CAPACITOR NOT INCLUDED)

| HP  | RPM** | Speeds | Volts   | Amps  |      | Stock Number | Capacitor   | Bearings | Dim. Ref. | Notes |
|-----|-------|--------|---------|-------|------|--------------|-------------|----------|-----------|-------|
|     |       |        |         | Rated | Max. |              |             |          |           |       |
| 1/4 | 1075  | 2      | 115     | 3.5   | 4.6  | DL001        | 5MFD/370V   | Sleeve   | 1         |       |
| 1/4 | 1075  | 2      | 208-230 | 1.8   | 2.2  | D0002        | 5MFD/370V   | Sleeve   | 1         |       |
| 1/3 | 1075  | 2      | 115     | 4.9   | 6.4  | DL003        | 7.5MFD/370V | Sleeve   | 2         |       |
| 1/3 | 1075  | 2      | 208-230 | 2.6   | 3.1  | D0004        | 5MFD/370V   | Sleeve   | 2         |       |
| 1/2 | 1075  | 2      | 115     | 6.5   | 9.0  | DL005        | 10MFD/370V  | Sleeve   | 4         |       |
| 1/2 | 1075  | 2      | 208-230 | 3.2   | 4.3  | D0006        | 7.5MFD/370V | Sleeve   | 4         |       |
| 3/4 | 1075  | 2      | 115     | 8.9   | 10.3 | DL007        | 15MFD/370V  | Sleeve   | 5         | 90    |
| 3/4 | 1075  | 2      | 208-230 | 4.0   | 5.0  | D0008        | 10MFD/370V  | Sleeve   | 5         |       |

#### Notes:

90. 50°C Ambient

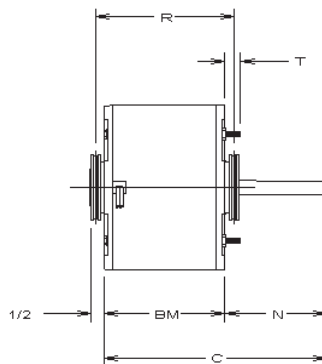
\*\*Approximately 150 RPM difference between speeds.

### Approximate Dimensions

| Ref. | BM   | R    | C     | N    | T    |
|------|------|------|-------|------|------|
| 1    | 4.11 | 4.67 | 8.61  | 4.50 | 0.64 |
| 2    | 4.36 | 4.92 | 8.86  | 4.50 | 0.64 |
| 3    | 4.49 | 5.05 | 8.99  | 4.50 | 0.64 |
| 4    | 4.86 | 5.42 | 9.36  | 4.50 | 0.64 |
| 5    | 5.61 | 6.17 | 10.11 | 4.50 | 1.50 |
| 6    | 4.99 | 5.55 | 9.49  | 4.50 | 0.64 |



Adapter Kit  
619432-174  
for Fleximount



# 5-5/8" Diameter (MasterFit® Pro) Multi-horsepower Replacement Motors

## Features:

- Energy Efficient \$
- 60 HZ
- Permanent Split Capacitor
- Reversible
- Extended Thru Bolts
- 40° C Ambient, Class B Insulation for Blower Motors
- 70° C Ambient, Class F Insulation for Condenser Fan Motors
- Rheem Mounting Holes in Shell
- All Purpose Capacitor Included



All purpose capacitor included



2116, Cap Bracket available on page 238



FD6000A



FE6001F

## Condenser Fan Motor • Totally Enclosed

| Stock Number | HP  | Capacitor 370 Volts |      | Speeds to Use | Amps | RPM  | Volts   | Bearings | Ambient | Lead Lengths | Shell Dimension | Shaft Length | Notes   |
|--------------|-----|---------------------|------|---------------|------|------|---------|----------|---------|--------------|-----------------|--------------|---------|
|              |     | 208V                | 230V |               |      |      |         |          |         |              |                 |              |         |
| FE6001F      | 1/3 | 10 mfd              | 7.5  | High          | 1.9  | 825  | 208-230 | Ball     | 70°C    | 48"          | 5.24"           | 1/2" x 6.5"  | \$,NEW! |
|              | 1/4 | 10 mfd              | 7.5  | High          | 1.5  |      |         |          |         |              |                 |              |         |
|              | 1/5 | 10 mfd              | 7.5  | Low           | 1.2  |      |         |          |         |              |                 |              |         |
|              | 1/6 | 10 mfd              | 7.5  | Low           | 1.0  |      |         |          |         |              |                 |              |         |
| FE6003F      | 1/2 | 12.5 mfd            | 10   | High          | 2.4  | 825  | 208-230 | Ball     | 70°C    | 48"          | 5.74"           | 1/2" x 6.5"  | \$,NEW! |
|              | 1/3 | 12.5 mfd            | 10   | High          | 1.7  |      |         |          |         |              |                 |              |         |
|              | 1/4 | 12.5 mfd            | 10   | Low           | 1.4  |      |         |          |         |              |                 |              |         |
|              | 1/5 | 12.5 mfd            | 10   | Low           | 1.1  |      |         |          |         |              |                 |              |         |
| FE6000F      | 1/3 | 7.5 mfd             | 5    | High          | 2.6  | 1075 | 208-230 | Ball     | 70°C    | 48"          | 4.74"           | 1/2" x 6.5"  | \$,NEW! |
|              | 1/4 | 7.5 mfd             | 5    | High          | 2.5  |      |         |          |         |              |                 |              |         |
|              | 1/5 | 7.5 mfd             | 5    | Low           | 2.0  |      |         |          |         |              |                 |              |         |
|              | 1/6 | 7.5 mfd             | 5    | Low           | 1.8  |      |         |          |         |              |                 |              |         |
| FE6002F      | 1/2 | 12.5 mfd            | 10   | High          | 3.9  | 1075 | 208-230 | Ball     | 70°C    | 48"          | 5.36"           | 1/2" x 6.5"  | \$,NEW! |
|              | 1/3 | 12.5 mfd            | 10   | High          | 2.2  |      |         |          |         |              |                 |              |         |
|              | 1/4 | 12.5 mfd            | 10   | Low           | 1.6  |      |         |          |         |              |                 |              |         |
|              | 1/5 | 12.5 mfd            | 10   | Low           | 1.3  |      |         |          |         |              |                 |              |         |
| FE6004F      | 3/4 | 15 mfd              | 12.5 | High          | 5.8  | 1075 | 208-230 | Ball     | 70°C    | 48"          | 5.99"           | 1/2" x 6.5"  | \$,NEW! |
|              | 1/2 | 15 mfd              | 12.5 | High          | 3.9  |      |         |          |         |              |                 |              |         |
|              | 1/3 | 15 mfd              | 12.5 | Low           | 2.5  |      |         |          |         |              |                 |              |         |
|              | 1/4 | 15 mfd              | 12.5 | Low           | 1.8  |      |         |          |         |              |                 |              |         |

## Direct Drive Fan & Blower Motors • Open Dripproof

| Stock Number | HP  | Capacitor 370 Volts |      | Speeds to Use      | Amps | RPM  | Volts   | Bearings | Ambient | Lead Lengths | Shell Dimension | Shaft Length | Notes   |
|--------------|-----|---------------------|------|--------------------|------|------|---------|----------|---------|--------------|-----------------|--------------|---------|
|              |     | 208V                | 230V |                    |      |      |         |          |         |              |                 |              |         |
| FDL6001A     | 1/2 | 10 mfd              |      | All                | 7.0  | 1075 | 115     | Sleeve   | 40°C    | 36"          | 4.86"           | 1/2" x 5"    | \$,NEW! |
|              | 1/3 | 5 mfd               | 7.5* | All                | 6.7  |      |         |          |         |              |                 |              |         |
|              | 1/4 | 5 mfd               | 7.5* | Lo, Med-Lo, Med-Hi | 4.4  |      |         |          |         |              |                 |              |         |
|              | 1/5 | 5 mfd               | 7.5* | Lo, Med-Lo         | 3.2  |      |         |          |         |              |                 |              |         |
|              | 1/6 | 5 mfd               | 7.5* | Lo                 | 2.4  |      |         |          |         |              |                 |              |         |
| FD6000A      | 1/2 | 10 mfd              |      | All                | 3.9  | 1075 | 208-230 | Sleeve   | 40°C    | 36"          | 4.86"           | 1/2" x 5"    | \$,NEW! |
|              | 1/3 | 5 mfd               | 7.5* | All                | 3.6  |      |         |          |         |              |                 |              |         |
|              | 1/4 | 5 mfd               | 7.5* | Lo, Med-Lo, Med-Hi | 2.5  |      |         |          |         |              |                 |              |         |
|              | 1/5 | 5 mfd               | 7.5* | Lo, Med-Lo         | 1.8  |      |         |          |         |              |                 |              |         |
|              | 1/6 | 5 mfd               | 7.5* | Lo                 | 1.3  |      |         |          |         |              |                 |              |         |
| 7FD6000A     | 1/2 | 10 mfd              |      | All                | 3.3  | 1075 | 277     | Sleeve   | 40°C    | 36"          | 4.86"           | 1/2" x 5"    | \$,NEW! |
|              | 1/3 | 5 mfd               | 7.5* | All                | 2.3  |      |         |          |         |              |                 |              |         |
|              | 1/4 | 5 mfd               | 7.5* | Med-Hi, Med-Lo, Lo | 1.7  |      |         |          |         |              |                 |              |         |
|              | 1/5 | 5 mfd               | 7.5* | Med-Lo, Lo         | 1.3  |      |         |          |         |              |                 |              |         |
|              | 1/6 | 5 mfd               | 7.5* | Lo                 | 1.0  |      |         |          |         |              |                 |              |         |
| FDL6002A     | 3/4 | 10 mfd              |      | All                | 9.1  | 1075 | 115     | Ball     | 40°C    | 36"          | 4.86"           | 1/2" x 5"    | \$,NEW! |
|              | 1/2 | 10 mfd              |      | All                | 6.8  |      |         |          |         |              |                 |              |         |
|              | 1/3 | 5 mfd               | 7.5* | All                | 5.5  |      |         |          |         |              |                 |              |         |
|              | 1/4 | 5 mfd               | 7.5* | Lo, Med-Lo, Med-Hi | 3.0  |      |         |          |         |              |                 |              |         |
|              | 1/5 | 5 mfd               | 7.5* | Lo, Med-Lo         | 2.3  |      |         |          |         |              |                 |              |         |
| FD6001A      | 3/4 | 10 mfd              |      | All                | 4.0  | 1075 | 208-230 | Ball     | 40°C    | 36"          | 4.86"           | 1/2" x 5"    | \$,NEW! |
|              | 1/2 | 10 mfd              |      | All                | 3.6  |      |         |          |         |              |                 |              |         |
|              | 1/3 | 5 mfd               | 7.5* | All                | 3.0  |      |         |          |         |              |                 |              |         |
|              | 1/4 | 5 mfd               | 7.5* | Lo, Med-Lo, Med-Hi | 2.3  |      |         |          |         |              |                 |              |         |
|              | 1/5 | 5 mfd               | 7.5* | Lo, Med-Lo         | 2.0  |      |         |          |         |              |                 |              |         |
| 7FD6001A     | 3/4 | 10 mfd              |      | All                | 3.6  | 1075 | 277     | Ball     | 40°C    | 36"          | 4.86"           | 1/2" x 5"    | \$,NEW! |
|              | 1/2 | 10 mfd              |      | All                | 2.3  |      |         |          |         |              |                 |              |         |
|              | 1/3 | 5 mfd               | 7.5* | All                | 1.7  |      |         |          |         |              |                 |              |         |
|              | 1/4 | 5 mfd               | 7.5* | Med-Hi, Med-Lo, Lo | 1.3  |      |         |          |         |              |                 |              |         |
|              | 1/5 | 5 mfd               | 7.5* | Med-Lo, Lo         | 1.0  |      |         |          |         |              |                 |              |         |

\* Motor is approximately 10% stronger and has higher starting torque for 1/6, 1/5, 1/4, and 1/3 HP rating with the 7.5 mfd 370 volt capacitor.

# 5-5/8" Diameter Multi-horsepower Replacement Motors

## Features:

- Energy Efficient \$
- Different Capacitor/ Speed Combinations
- Designed for 370V Capacitor (not furnished)
- Permanent Split Capacitor
- Ball and Sleeve Bearing
- Rotation Reversible
- Resilient Rings on Blower Motors
- Extended Thru Bolts
- Automatic Protector
- Class B Insulation
- 48 Frame
- Single Phase
- Continuous Duty – Air Over
- Mounts by Belly Band, Thru Bolts or Shell Holes

- Rheem Mounting Holes in Shell
- 60 Hertz

## Benefits:

- Less Inventory Required
- Versatile
- Time Saver
- Easy Installations



## Condenser Fan Motors • Totally Enclosed Air Over

| Stock Number | HP  | Capacitor 370 Volts |      | Speeds to Use | Amps | RPM  | Volts   | Bearings | Lead Ambient | Shell Lengths | Shaft Dimension | Shaft Length | Notes |
|--------------|-----|---------------------|------|---------------|------|------|---------|----------|--------------|---------------|-----------------|--------------|-------|
|              |     | 208V                | 230V |               |      |      |         |          |              |               |                 |              |       |
| FSE6000      | 1/3 | 7.5 mfd             | 5    | High (black)  | 2.8  | 1075 | 208-230 | Sleeve   | 60°C         | 36"           | 4.86"           | 1/2" x 6"    | \$    |
|              | 1/4 | 7.5 mfd             | 5    | High (black)  | 2.0  | 1135 |         |          |              |               |                 |              |       |
|              | 1/5 | 7.5 mfd             | 5    | Low (red)     | 1.7  | 1075 |         |          |              |               |                 |              |       |
|              | 1/6 | 7.5 mfd             | 5    | Low (red)     | 1.5  | 1125 |         |          |              |               |                 |              |       |

## Direct Drive Fan & Blower Motors • Open Dripproof

| Stock Number | HP  | Capacitor 370 Volts |                  | Speeds to Use    | Amps | RPM  | Volts   | Bearings | Lead Ambient | Shell Lengths | Shell Dimension | Shaft Length | Notes |
|--------------|-----|---------------------|------------------|------------------|------|------|---------|----------|--------------|---------------|-----------------|--------------|-------|
|              |     |                     |                  |                  |      |      |         |          |              |               |                 |              |       |
| FDL6001      | 1/2 | 10 mfd              |                  | All              | 7.0  | 1075 | 115     | Sleeve   | 40°C         | 26"           | 4.86"           | 1/2" x 5"    |       |
|              | 1/3 | 5 mfd               | 7.5 <sup>n</sup> | All              | 6.7  |      |         |          |              |               |                 |              |       |
|              | 1/4 | 5 mfd               | 7.5 <sup>n</sup> | Lo,Med-Lo,Med-Hi | 4.4  |      |         |          |              |               |                 |              |       |
|              | 1/5 | 5 mfd               | 7.5 <sup>n</sup> | Lo,Med-Lo        | 3.2  |      |         |          |              |               |                 |              |       |
|              | 1/6 | 5 mfd               | 7.5 <sup>n</sup> | Lo               | 2.4  |      |         |          |              |               |                 |              |       |
| FD6000       | 1/2 | 10 mfd              |                  | All              | 3.9  | 1075 | 208-230 | Sleeve   | 40°C         | 26"           | 4.86"           | 1/2" x 5"    |       |
|              | 1/3 | 5 mfd               | 7.5 <sup>n</sup> | All              | 3.6  |      |         |          |              |               |                 |              |       |
|              | 1/4 | 5 mfd               | 7.5 <sup>n</sup> | Lo,Med-Lo,Med-Hi | 2.5  |      |         |          |              |               |                 |              |       |
|              | 1/5 | 5 mfd               | 7.5 <sup>n</sup> | Lo,Med-Lo        | 1.8  |      |         |          |              |               |                 |              |       |
|              | 1/6 | 5 mfd               | 7.5 <sup>n</sup> | Lo               | 1.3  |      |         |          |              |               |                 |              |       |
| FDL6002      | 3/4 | 10 mfd              |                  | All              | 9.1  | 1075 | 115     | Ball     | 40°C         | 38"           | 4.86"           | 1/2" x 5"    |       |
|              | 1/2 | 10 mfd              |                  | All              | 6.8  |      |         |          |              |               |                 |              |       |
|              | 1/3 | 5 mfd               | 7.5 <sup>n</sup> | All              | 5.5  |      |         |          |              |               |                 |              |       |
|              | 1/4 | 5 mfd               | 7.5 <sup>n</sup> | Lo,Med-Lo,Med-Hi | 3.0  |      |         |          |              |               |                 |              |       |
|              | 1/5 | 5 mfd               | 7.5 <sup>n</sup> | Lo,Med-Lo        | 2.3  |      |         |          |              |               |                 |              |       |
| FD6001       | 3/4 | 10 mfd              |                  | All              | 3.9  | 1075 | 208-230 | Ball     | 40°C         | 38"           | 4.86"           | 1/2" x 5"    |       |
|              | 1/2 | 10 mfd              |                  | All              | 3.6  |      |         |          |              |               |                 |              |       |
|              | 1/3 | 5 mfd               | 7.5 <sup>n</sup> | All              | 3.0  |      |         |          |              |               |                 |              |       |
|              | 1/4 | 5 mfd               | 7.5 <sup>n</sup> | Lo,Med-Lo,Med-Hi | 2.3  |      |         |          |              |               |                 |              |       |
|              | 1/5 | 5 mfd               | 7.5 <sup>n</sup> | Lo,Med-Lo        | 2.0  |      |         |          |              |               |                 |              |       |

# 5-5/8" Diameter (4-in-1®) Multi-horsepower Replacement Motor

## 4-in-1® and HeatMaster® Condenser Fan Motor

### Features:

- All Angle Mounting
- Energy Efficient PSC Design \$
- Removable Drain Plugs Each End
- Rheem Mounting Holes (Screws Included)
- Totally Enclosed
- 48Y Frame
- Class B or F Insulation
- Multi-application, Condenser Fans
- Reversible
- 60° or 70° C Ambient
- Sleeve or Ball Bearing
- UL and CSA Approved
- 36" Leads or 48" Leads



Easy installation, one simple connection and a 5, 7.5, or 10 mfd 370 Volt capacitor is all that is needed. Replaces hundreds of 1/8 - 1/2 HP applications.

### 60 Degree C Ambient, 4-in-1® Fan Motor (Economy Models)

| HP      | RPM  | Speeds | Volts   | Amps | Insulation Class | Ambient | Stock Number | Bearings | Capacitor   | Dim. Ref. | Notes |
|---------|------|--------|---------|------|------------------|---------|--------------|----------|-------------|-----------|-------|
| 1/3-1/8 | 825  | 1      | 208-230 | 2.1  | B                | 60° C   | ORM5488      | Sleeve   | 7.5MFD/370V | 2         | \$    |
| 1/3-1/8 | 825  | 1      | 208-230 | 2.1  | B                | 60° C   | ORM5488B     | Ball     | 7.5MFD/370V | 2         | \$    |
| 1/3-1/6 | 1075 | 1      | 208-230 | 2.0  | B                | 60° C   | ORM5458      | Sleeve   | 7.5MFD/370V | 1         | \$    |
| 1/3-1/6 | 1075 | 1      | 208-230 | 2.0  | B                | 60° C   | ORM5458B     | Ball     | 7.5MFD/370V | 1         | \$    |

### 70 Degree C Ambient, 4-in-1® HeatMaster® Fan Motor (Deluxe Models)

| HP       | RPM  | Speeds | Volts   | Amps | Insulation Class | Ambient | Stock Number | Bearings | Capacitor   | Dim. Ref. | Notes   |
|----------|------|--------|---------|------|------------------|---------|--------------|----------|-------------|-----------|---------|
| 1/8-1/15 | 825  | 1      | 208-230 | 0.8  | F                | 70° C   | ORM5484F     | Sleeve   | 5MFD/370V   | 3         | \$      |
| 1/8-1/15 | 825  | 1      | 208-230 | 0.8  | F                | 70° C   | ORM5484BF    | Ball     | 5MFD/370V   | 3         | \$      |
| 1/8-1/15 | 1075 | 1      | 208-230 | 0.8  | F                | 70° C   | ORM5454F     | Sleeve   | 5MFD/370V   | 5         | \$      |
| 1/8-1/15 | 1075 | 1      | 208-230 | 0.8  | F                | 70° C   | ORM5454BF    | Ball     | 5MFD/370V   | 5         | \$      |
| 1/3-1/8  | 825  | 1      | 208-230 | 2.1  | F                | 70° C   | ORM5488F     | Sleeve   | 7.5MFD/370V | 2         | \$      |
| 1/3-1/8  | 825  | 1      | 208-230 | 2.1  | F                | 70° C   | ORM5488BF    | Ball     | 7.5MFD/370V | 2         | \$      |
| 1/3-1/8  | 825  | 1      | 460     | 1.0  | F                | 70° C   | ORM4688BF    | Ball     | 7.5MFD/370V | 4         | \$      |
| 1/3-1/6  | 1075 | 1      | 208-230 | 2.0  | F                | 70° C   | ORM5458F     | Sleeve   | 7.5MFD/370V | 1         | \$      |
| 1/3-1/6  | 1075 | 1      | 208-230 | 2.0  | F                | 70° C   | ORM5458BF    | Ball     | 7.5MFD/370V | 1         | \$      |
| 1/3-1/6  | 1075 | 1      | 460     | 1.2  | F                | 70° C   | ORM4658BF    | Ball     | 7.5MFD/370V | 2         | \$      |
| 1/2-1/5  | 825  | 1      | 208-230 | 2.5  | F                | 70° C   | ORM5489BF    | Ball     | 10MFD/370V  |           | \$ NEW! |
| 1/2-1/5  | 1075 | 1      | 208-230 | 3.6  | F                | 70° C   | ORM5459BF    | Ball     | 10MFD/370V  |           | \$ NEW! |
| 1/2-1/5  | 1075 | 1      | 460     | 1.5  | F                | 70° C   | ORM4659BF    | Ball     | 10MFD/370V  |           | \$ NEW! |



### 4-in-1® 3.3" Motor

| HP        | RPM  | Speeds | Volts | Amps    | Insulation Class | Ambient | Stock Number | Bearings | Shaft Dia. & Length | Dim. Ref. | Notes |
|-----------|------|--------|-------|---------|------------------|---------|--------------|----------|---------------------|-----------|-------|
| 1/25-1/50 | 1550 | 1      | 115   | 1.6-1.4 | B                | 40° C   | 3325CW       | Ball     | 5/16" x 2 1/2"      |           | New!  |
| 1/25-1/50 | 1550 | 1      | 115   | 1.6-1.4 | B                | 40° C   | 3325CCW      | Ball     | 5/16" x 2 1/2"      |           | New!  |

### Approximate Dimensions

| Ref. | BM    | C      | N     | T   | T1 |
|------|-------|--------|-------|-----|----|
| 1    | 4-1/8 | 10-5/8 | 6-1/2 | 7/8 | 1  |
| 2    | 4-7/8 | 11-3/8 | 6-1/2 | 7/8 | 1  |
| 3    | 4-1/4 | 10-3/4 | 6-1/2 | 7/8 | 1  |
| 4    | 5-1/8 | 11-5/8 | 6-1/2 | 7/8 | 1  |
| 5    | 4     | 10-1/2 | 6-1/2 | 7/8 | 1  |

# 5-5/8" Diameter (Open Lead End) - Outdoor Ball and Sleeve Bearing

## Condensers - Heat Pump - Refrigeration

### Features:

- Energy Efficient \$
- Permanent Split Capacitor
- Class B Insulation
- Ball or Sleeve Bearing
- 1/2" Dia. Flatted Shaft
- 26" (Minimum) to 48" Leads
- 60 HZ
- All Angle Mount
- 60°C Ambient
- Auto Protector
- Reversible
- 4, 6, and 8 Pole
- Extended Thru Bolts



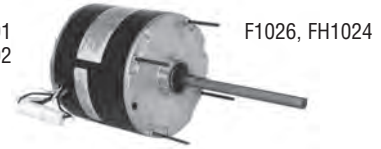
735



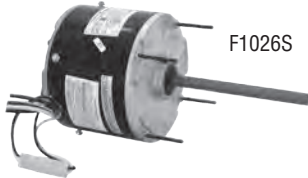
FS1024S



FS1018, FS101  
FS1028, FS102  
FS1026



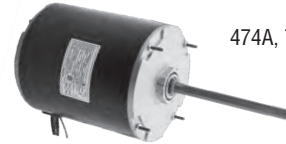
F1026, FH1024



F1026S



F1018S, F1028S



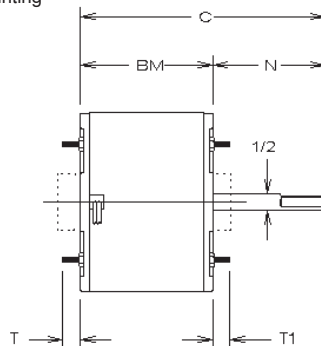
474A, 782A

### DRIPPROOF - VERTICAL SHAFT UP/HORIZONTAL

| HP  | RPM  | Volts   | Speeds | Amps  |      | Insulation | Ambient | Stock          | Bearings | Capacitor   | Dim. | Notes             |
|-----|------|---------|--------|-------|------|------------|---------|----------------|----------|-------------|------|-------------------|
|     |      |         |        | Rated | Max. | Class      |         | Number         |          |             | Ref. |                   |
| 1/6 | 825  | 208-230 | 1      | 1.1   | 1.6  | B          | 60°C    | <b>F1018S</b>  | Ball     | 5MFD-370V   | 11   | 9,27,98,\$        |
| 1/6 | 825  | 208-230 | 2      | .9    | 1.3  | B          | 60°C    | <b>FS1018</b>  | Sleeve   | 5MFD-370V   | 4    | 9,25,317,\$       |
| 1/6 | 1075 | 208-230 | 2      | .9    | 1.1  | B          | 60°C    | <b>FS1016</b>  | Sleeve   | 5MFD-370V   | 1    | 6,9,25,317,\$     |
| 1/4 | 825  | 208-230 | 1      | 1.5   | 1.9  | B          | 60°C    | <b>F1028S</b>  | Ball     | 5MFD-370V   | 12   | 9,27,98,\$        |
| 1/4 | 825  | 208-230 | 1      | 1.5   | 1.9  | B          | 60°C    | <b>474A</b>    | Sleeve   | 7.5MFD-370V | 6    | 9,164,315,\$      |
| 1/4 | 825  | 208-230 | 2      | 1.5   | 1.9  | B          | 60°C    | <b>FS1028</b>  | Sleeve   | 7.5MFD/370V | 13   | 9,25,317,\$       |
| 1/4 | 1075 | 208-230 | 1      | 1.4   | 2.0  | B          | 60°C    | <b>F1026S</b>  | Ball     | 5MFD-370V   | 7    | 9,25,317,\$       |
| 1/4 | 1075 | 208-230 | 1      | 1.5   | 1.9  | B          | 60°C    | <b>FS1026S</b> | Sleeve   | 5MFD-370V   | 3    | 9,147,317,\$      |
| 1/4 | 1075 | 208-230 | 1      | 2.1   |      | B          | 60°C    | <b>735</b>     | Sleeve   | 5MFD-370V   | 14   | 1,10,25,317,\$    |
| 1/4 | 1075 | 208-230 | 2      | 1.4   | 2.0  | B          | 60°C    | <b>F1026</b>   | Ball     | 5MFD-370V   | 7    | 25,37,311,\$      |
| 1/4 | 1075 | 208-230 | 2      | 1.4   | 2.0  | B          | 60°C    | <b>FS1026</b>  | Sleeve   | 5MFD-370V   | 2    | 6,9,25,317,\$     |
| 1/4 | 1625 | 208-230 | 1      | 1.4   | 1.8  | B          | 60°C    | <b>FS1024S</b> | Sleeve   | 5MFD-370V   | 5    | 6,9,31,147,313,\$ |
| 1/4 | 1625 | 460     | 2      | .74   |      | B          | 60°C    | <b>782A</b>    | Ball     | 5MFD-370V   | 8    | 9,25,38,67,\$     |
| 1/4 | 1625 | 460     | 2      | .9    | 1.2  | B          | 60°C    | <b>FH1024</b>  | Ball     | 5MFD-370V   | 9    | 9,25,54,311,\$    |

### Notes:

- Item to be discontinued when stock is depleted.
- 60/50 HZ
- Reversing Plug
- Reversible. Quick connect terminals
- Has hex mounting hub on both ends for cradle base mounting
- Extended thru bolts, both ends
- 40 degree C Ambient
- Lead reversible, no plug
- Includes conduit box, mounting screws, gasket, shipped detached
- Rewire for second speed
- 1/2" hub on shaft end and slinger
- Resilient rings included for refrigeration applications
- No hub on lead end end frame
- 1/2" Dia. Shaft - Single Flat
- 1" extended thru bolts each end
- 1-7/8" shaft end, 1/2" lead end extended thru bolts
- 1-5/8" extended thru bolts



### Approximate Dimensions

| Ref. | BM   | C     | N    | T    | T1   |
|------|------|-------|------|------|------|
| 1    | 3.86 | 10.30 | 6.44 |      | 1.63 |
| 2    | 4.24 | 10.68 | 6.44 |      | 1.63 |
| 3    | 3.99 | 10.43 | 6.44 |      | 1.63 |
| 4    | 4.18 | 10.18 | 6.00 |      | 1.63 |
| 5    | 3.99 | 8.92  | 4.93 | 1.00 | 1.00 |
| 6    | 5.00 | 11.02 | 6.02 | .55  | 1.86 |
| 7    | 4.36 | 10.80 | 6.44 |      | 1.63 |
| 8    | 4.86 | 10.55 | 6.06 |      | .49  |
| 9    | 4.86 | 11.30 | 6.44 |      | 1.63 |
| 10   | 3.75 | 10.23 | 6.48 |      | 1.61 |
| 11   | 4.11 | 10.11 | 6.00 | .94  | .88  |
| 12   | 4.61 | 10.62 | 6.01 | .88  | .88  |
| 13   | 4.93 | 10.93 | 6.00 |      | 1.63 |



# 5-5/8" Diameter (Open Lead End) - Outdoor Ball and Sleeve Bearing

## Condensers - Heat Pump - Refrigeration

### Features:

- Energy Efficient \$
- Permanent Split Capacitor
- Class B Insulation
- Ball or Sleeve Bearing
- 1/2" Dia. Flatted Shaft
- 26" (Minimum) to 48" Leads
- 60 HZ
- All Angle Mount
- 60°C Ambient
- Auto Protector
- Reversible
- 4, 6, and 8 Pole
- Extended Thru Bolts

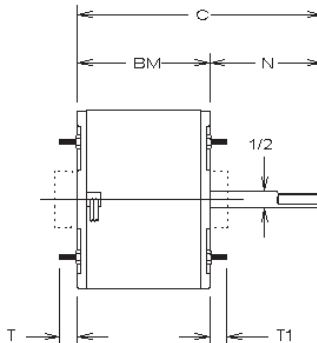


### DRIPPROOF - VERTICAL SHAFT UP/HORIZONTAL

| HP  | RPM  | Volts   | Speeds | Amps  |      | Insulation Class | Ambient | Stock Number | Bearings | Capacitor    | Dim. Ref. | Notes        |
|-----|------|---------|--------|-------|------|------------------|---------|--------------|----------|--------------|-----------|--------------|
|     |      |         |        | Rated | Max. |                  |         |              |          |              |           |              |
| 1/3 | 825  | 115     | 1      | 4.8   |      | B                | 60°C    | FL1038       | Ball     | 7.5MFD-370V  | 7         | 25,37,\$     |
| 1/3 | 825  | 208-230 | 1      | 1.9   | 2.6  | B                | 60°C    | F1038        | Ball     | 7.5MFD-370V  | 7         | 25,37,\$     |
| 1/3 | 825  | 208-230 | 2      | 1.8   | 2.5  | B                | 60°C    | FS1038       | Sleeve   | 12.5MFD-370V | 5         | 9,25,317,\$  |
| 1/3 | 825  | 460     | 1      | 0.9   | 1.0  | B                | 60°C    | FH1038       | Ball     | 10MFD-370V   | 9         | 25,37,54,\$  |
| 1/3 | 825  | 460     | 1      | 1.1   |      | B                | 60°C    | 786A         | Ball     | 10MFD-370V   | 10        | 9,25,38,\$   |
| 1/3 | 1075 | 208-230 | 1      | 1.7   | 2.6  | B                | 60°C    | F1036S       | Ball     | 7.5MFD-370V  | 8         | 9,25,\$      |
| 1/3 | 1075 | 208-230 | 1      | 2.5   | 3.3  | B                | 60°C    | FS1036S      | Sleeve   | 5MFD-370V    | 6         | 9,147,317,\$ |
| 1/3 | 1075 | 208-230 | 1      | 1.9   | 2.6  | B                | 60°C    | FS1037S      | Sleeve   | 5MFD-370V    | 3         | 9,147,318,\$ |
| 1/3 | 1075 | 208-230 | 2      | 1.7   | 2.6  | B                | 60°C    | F1036        | Ball     | 7.5MFD-370V  | 7         | 9,25,\$      |
| 1/3 | 1075 | 208-230 | 2      | 1.7   | 2.6  | B                | 60°C    | FS1036       | Sleeve   | 7.5MFD-370V  | 4         | 9,25,317,\$  |
| 1/3 | 1075 | 460     | 1      | 1.0   |      | B                | 60°C    | 436A         | Ball     | 5MFD-370V    | 1         | 147,\$       |
| 1/3 | 1075 | 460     | 2      | 1.2   |      | B                | 60°C    | FH1036       | Ball     | 7.5MFD-370V  | 4         | 9,54,67,\$   |
| 1/3 | 1625 | 208-230 | 1      | 1.9   |      | B                | 60°C    | 665A         | Sleeve   | 5MFD-370V    | 2         | 147,\$       |
| 1/2 | 825  | 208-230 | 1      | 2.9   | 3.4  | B                | 60°C    | F1058        | Ball     | 10MFD-370V   | 11        | 25,37,\$     |
| 1/2 | 825  | 460     | 1      | 1.8   |      | B                | 60°C    | 787A         | Ball     | 10MFD-370V   | 12        | 9,25,38,\$   |
| 1/2 | 1075 | 208-230 | 1      | 2.5   | 3.6  | B                | 60°C    | F1056S       | Ball     | 10MFD-370V   | 13        | 9,25,\$      |
| 1/2 | 1075 | 208-230 | 1      | 3.6   | 4.4  | B                | 60°C    | FS1056S      | Sleeve   | 5MFD-370V    | 4         | 9,147,317,\$ |
| 1/2 | 1075 | 208-230 | 2      | 2.5   | 3.6  | B                | 60°C    | F1056        | Ball     | 10MFD-370V   | 13        | 9,25,\$      |
| 1/2 | 1075 | 208-230 | 2      | 2.5   | 3.6  | B                | 60°C    | FS1056       | Sleeve   | 10MFD-370V   | 13        | 9,25,317,\$  |

### Notes:

- 9. Reversing Plug
- 25. Has hex mounting hub on both ends for cradle base mounting
- 37. Lead reversible, no plug
- 38. Includes conduit box, mounting screws, gasket, shipped detached
- 54. Triple build wire for greater high voltage insulation
- 67. Rewire for second speed
- 147. Resilient rings included for refrigeration applications
- 317. 1-5/8" extended thru bolts
- 318. 1-1/2" extended thru bolts



### Approximate Dimensions

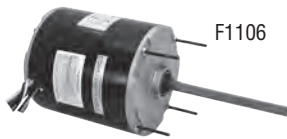
| Ref. | BM   | C     | N    | T | T1   |
|------|------|-------|------|---|------|
| 1    | 4.74 | 10.79 | 6.05 |   | 1.03 |
| 2    | 4.36 | 10.38 | 6.02 |   | 1.14 |
| 3    | 4.24 | 10.68 | 6.44 |   | 1.53 |
| 4    | 4.86 | 11.30 | 6.44 |   | 1.63 |
| 5    | 5.43 | 11.43 | 6.00 |   | 1.63 |
| 6    | 4.61 | 11.05 | 6.44 |   | 1.63 |
| 7    | 4.86 | 11.30 | 6.44 |   | 1.63 |
| 8    | 5.11 | 11.55 | 6.44 |   | 1.63 |
| 9    | 5.61 | 12.05 | 6.44 |   | 1.63 |
| 10   | 5.87 | 11.93 | 6.06 |   | 0.49 |
| 11   | 5.36 | 11.80 | 6.44 |   | 1.63 |
| 12   | 6.74 | 12.80 | 6.06 |   | 0.49 |
| 13   | 5.11 | 11.55 | 6.44 |   | 1.63 |

# 5-5/8" Diameter (Open Lead End) - Outdoor Ball and Sleeve Bearing

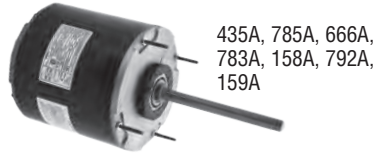
## Condensers - Heat Pump - Refrigeration

### Features:

- Energy Efficient \$
- Permanent Split Capacitor
- Class B Insulation
- Ball or Sleeve Bearing
- 1/2" Dia. Flatted Shaft
- 26" (Minimum) to 48" Leads
- 60 HZ
- All Angle Mount
- 60°C Ambient
- Auto Protector
- Reversible
- 4 and 6 Pole
- Extended Thru Bolts



F1106



435A, 785A, 666A,  
783A, 158A, 792A,  
159A



FH1056S



F1076SV1



FH1056S



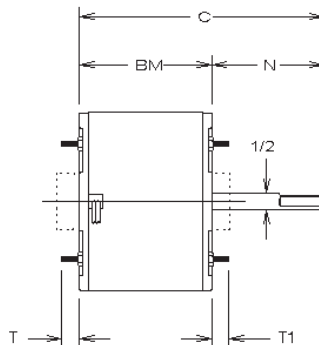
FH1056, FH1054,  
F1076S, FS1076S,  
F1076A, FH1076

### DRIPPROOF – VERTICAL SHAFT UP/HORIZONTAL

| HP  | RPM  | Volts   | Speeds | Amps    |      | Insulation Class | Ambient | Stock Number    | Bearings | Capacitor    | Dim. Ref. | Notes            |
|-----|------|---------|--------|---------|------|------------------|---------|-----------------|----------|--------------|-----------|------------------|
|     |      |         |        | Rated   | Max. |                  |         |                 |          |              |           |                  |
| 1/2 | 1075 | 460     | 1      | 1.2     | 1.3  | B                | 60°C    | <b>FH1056S</b>  | Ball     | 10MFD-370V   | 9         | 9,54,98,\$       |
| 1/2 | 1075 | 460     | 1      | 1.7     |      | B                | 60°C    | <b>435A</b>     | Ball     | 7.5MFD-370V  | 10        | 147,\$           |
| 1/2 | 1075 | 460     | 1      | 1.6     |      | B                | 60°C    | <b>785A</b>     | Sleeve   | 7.5MFD-370V  | 11        | 9,25,309,\$      |
| 1/2 | 1075 | 460     | 2      | 1.9     |      | B                | 60°C    | <b>FH1056</b>   | Ball     | 10MFD-370V   | 12        | 9,25,54,67,\$    |
| 1/2 | 1625 | 208-230 | 1      | 3.9     |      | B                | 60°C    | <b>666A</b>     | Sleeve   | 5MFD-370V    | 14        | 147,\$           |
| 1/2 | 1625 | 460     | 2      | 1.4     | 1.8  | B                | 60°C    | <b>FH1054</b>   | Ball     | 7.5MFD-370V  | 13        | 6,9,25,54,311,\$ |
| 1/2 | 1625 | 460     | 2      | 1.6     |      | B                | 60°C    | <b>783A</b>     | Ball     | 7.5MFD-370V  | 15        | 9,25,38,\$       |
| 3/4 | 1075 | 208-230 | 1      | 3.5     | 4.2  | B                | 60°C    | <b>F1076S</b>   | Ball     | 15MFD-370V   | 13        | 9,25,\$          |
| 3/4 | 1075 | 208-230 | 1      | 4.0     | 5.0  | B                | 60°C    | <b>FS1076S</b>  | Sleeve   | 10MFD-370V   | 1         | 9,25,318,\$      |
| 3/4 | 1075 | 208-230 | 1      | 5.3     |      | B                | 60°C    | <b>F1076SV1</b> | Ball     | 12.5MFD-370V | 2         | 9,71,121,311,\$  |
| 3/4 | 1075 | 208-230 | 2      | 3.5     | 4.2  | B                | 60°C    | <b>F1076</b>    | Ball     | 15MFD-370V   | 14        | 9,25,\$          |
| 3/4 | 1075 | 208-230 | 2      | 3.5     | 4.2  | B                | 60°C    | <b>F1076A</b>   | Ball     | 15MFD-370V   | 3         | 9,25,270,\$      |
| 3/4 | 1075 | 460     | 1      | 2.1     |      | B                | 60°C    | <b>158A</b>     | Ball     | 10MFD-370V   | 4         | 147,\$           |
| 3/4 | 1075 | 460     | 1      | 2.2     |      | B                | 60°C    | <b>792A</b>     | Sleeve   | 10MFD-370V   | 5         | 9,25,309,\$      |
| 3/4 | 1075 | 460     | 2      | 2.2     |      | B                | 60°C    | <b>FH1076</b>   | Ball     | 15MFD-370V   | 6         | 9,25,54,67,\$    |
| 1   | 1075 | 208-230 | 1      | 4.8     | 6.0  | B                | 60°C    | <b>F1106</b>    | Ball     | 15MFD-370V   | 7         | 9,25,\$          |
| 1   | 1075 | 230/460 | 1      | 4.7/2.4 |      | B                | 60°C    | <b>159A</b>     | Ball     | 15MFD-370V   | 8         | 147,\$           |

### Notes:

- 6. 60/50 HZ
- 9. Reversing Plug
- 25. Has hex mounting hub on both ends for cradle base mounting
- 54. Triple build wire for greater high voltage insulation
- 67. Rewire for second speed
- 71. No hubs on either end
- 98. 1/2" hub on shaft end and slinger
- 121. Stronger 3/4 HP required for some applications
- 147. Resilient mounting rings included for refrigeration applications
- 270. 5/8" keyed shaft with flat
- 309. 1/2" extended thru bolts
- 311. 1/2" dia. shaft, single flat



### Approximate Dimensions

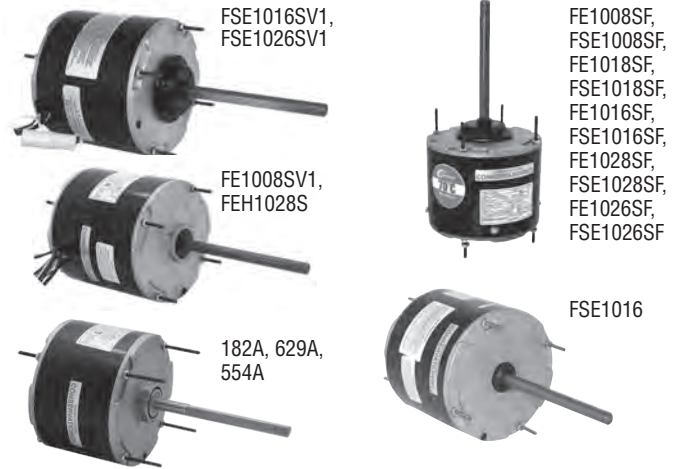
| Ref. | BM   | C     | N    | T   | T1   |
|------|------|-------|------|-----|------|
| 1    | 5.61 | 12.03 | 6.42 |     | 1.50 |
| 2    | 5.99 | 9.99  | 4.00 |     |      |
| 3    | 5.36 | 9.75  | 4.39 |     | 1.55 |
| 4    | 5.61 | 11.66 | 6.05 |     | .98  |
| 5    | 5.74 | 11.74 | 6.00 |     | .49  |
| 6    | 5.74 | 12.18 | 6.44 |     | 1.63 |
| 7    | 6.11 | 12.55 | 6.44 |     | 1.63 |
| 8    | 5.74 | 11.79 | 6.05 |     | 1.12 |
| 9    | 5.61 | 9.61  | 4.00 | .88 | .95  |
| 10   | 5.11 | 11.16 | 6.05 |     | 1.00 |
| 11   | 5.25 | 11.25 | 6.00 |     | .49  |
| 12   | 5.86 | 12.30 | 6.44 |     | 1.63 |
| 13   | 5.36 | 11.80 | 6.44 |     | 1.63 |
| 14   | 4.86 | 10.88 | 6.02 |     | 1.11 |
| 15   | 5.24 | 11.03 | 6.06 |     | .49  |

# 5-5/8" Diameter (Totally Enclosed) - Outdoor Ball and Sleeve Bearing

## Condensers - Heat Pump - Refrigeration

### Features:

- Energy Efficient \$
- Permanent Split Capacitor
- Class B or Class F Insulation
- Ball or Sleeve Bearing
- 1/2" Dia. Flatted Shaft
- 26" (Minimum) to 48" Leads
- 60 HZ
- All Angle Mount
- 60° or 70° C Ambient
- Auto Protector
- Reversible
- 6 and 8 Pole
- Extended Thru Bolts

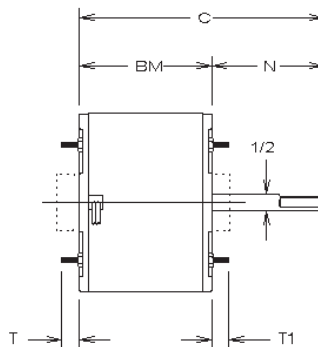


### "TURN-A-BOUT" 1 AND 2-SPEED (CAPACITOR NOT INCLUDED)

| HP   | RPM  | Volts   | Speeds | Amps  |      | Insulation Class | Ambient | Stock Number | Bearings | Capacitor | Dim. Ref. | Notes                 |
|------|------|---------|--------|-------|------|------------------|---------|--------------|----------|-----------|-----------|-----------------------|
|      |      |         |        | Rated | Max. |                  |         |              |          |           |           |                       |
| 1/10 | 825  | 208-230 | 1      | 0.6   | 0.63 | B                | 60°C    | FE1008SV1    | Ball     | 5MFD/370V | 11        | 6,998,288,\$          |
| 1/10 | 1075 | 208-230 | 1      | 0.7   |      | B                | 60°C    | 182A         | Sleeve   | 5MFD/370V | 1         | 9,308,311,288,\$      |
| 1/8  | 825  | 208-230 | 1      | 1.0   |      | F                | 70°C    | FE1008SF     | Ball     | 5MFD/370V | 8         | 311,370,\$ HeatMaster |
| 1/8  | 825  | 208-230 | 1      | 1.0   |      | F                | 70°C    | FSE1008SF    | Sleeve   | 5MFD/370V | 8         | 40,370,\$ HeatMaster  |
| 1/6  | 825  | 208-230 | 1      | 1.1   |      | F                | 70°C    | FE1018SF     | Ball     | 5MFD/370V | 9         | 311,370,\$ HeatMaster |
| 1/6  | 825  | 208-230 | 1      | 1.0   |      | B                | 60°C    | 629A         | Sleeve   | 5MFD-370V | 5         | 3,940,308,278,\$      |
| 1/6  | 825  | 208-230 | 1      | 1.1   |      | F                | 70°C    | FSE1018SF    | Sleeve   | 5MFD/370V | 9         | 40,370,\$ HeatMaster  |
| 1/6  | 1075 | 208-230 | 1      | 1.4   |      | F                | 70°C    | FE1016SF     | Ball     | 5MFD/370V | 6         | 311,370,\$ HeatMaster |
| 1/6  | 1075 | 208-230 | 1      | 1.0   |      | B                | 60°C    | FSE1016SV1   | Sleeve   | 5MFD/370V | 4         | 9,308,281,\$          |
| 1/6  | 1075 | 208-230 | 1      | 1.4   |      | F                | 70°C    | FSE1016SF    | Sleeve   | 5MFD/370V | 6         | 40,281,\$ HeatMaster  |
| 1/6  | 1075 | 208-230 | 2      | 0.92  |      | B                | 60°C    | 554A         | Ball     | 5MFD-370V | 13        | 9,24,\$               |
| 1/6  | 1075 | 208-230 | 2      | .9    | 1.3  | B                | 60°C    | FSE1016      | Sleeve   | 5MFD/370V | 2         | 9,71,288,\$           |
| 1/4  | 825  | 208-230 | 1      | 1.5   |      | F                | 70°C    | FE1028SF     | Ball     | 5MFD/370V | 10        | 311,370,\$ HeatMaster |
| 1/4  | 825  | 208-230 | 1      | 1.5   |      | F                | 70°C    | FSE1028SF    | Sleeve   | 5MFD/370V | 10        | 40,370,\$ HeatMaster  |
| 1/4  | 850  | 460     | 1      | 0.75  |      | B                | 60°C    | FEH1028S     | Ball     | 5MFD-370V | 14        | 9,98,281,\$           |
| 1/4  | 1075 | 208-230 | 1      | 2.0   |      | F                | 70°C    | FE1026SF     | Ball     | 5MFD/370V | 15        | 311,370,\$ HeatMaster |
| 1/4  | 1075 | 208-230 | 1      | 2.0   |      | B                | 60°C    | FSE1026SV1   | Sleeve   | 5MFD/370V | 3         | 9,308,281,\$          |
| 1/4  | 1075 | 208-230 | 1      | 2.0   |      | F                | 70°C    | FSE1026SF    | Sleeve   | 5MFD/370V | 7         | 40,281,\$ HeatMaster  |

### Notes:

- 3. Special OEM Replacement Motor (see pages 94-132)
- 6. 60/50 HZ
- 9. Reversing Plug
- 40. Four mounting holes in shell
- 71. No hubs on either end
- 98. 1/2" hub on shaft end and slinger
- 278. 40" leads
- 281. 36" leads
- 288. 26" leads (minimum)
- 308. 1/2" hub on shaft end frame with slinger. Grommet on lead exits.
- 311. 1/2" dia. shaft, single flat
- 370. 48" leads



### Approximate Dimensions

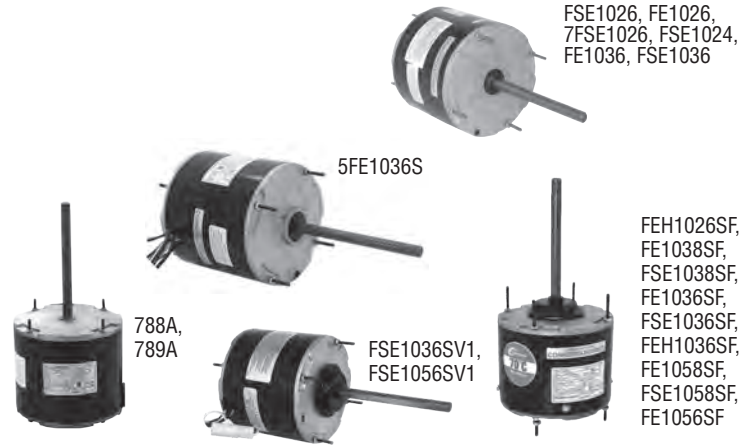
| Ref. | BM   | C     | N    | T   | T1   |
|------|------|-------|------|-----|------|
| 1    | 3.74 | 9.74  | 6.00 | .55 | .88  |
| 2    | 3.99 | 9.99  | 6.00 | .67 | .88  |
| 3    | 4.36 | 10.80 | 6.44 | .56 | .88  |
| 4    | 3.99 | 10.43 | 6.44 | .67 | .88  |
| 5    | 4.24 | 10.26 | 6.02 | .88 | 1.49 |
| 6    | 3.99 | 10.49 | 6.50 | .88 | 1.06 |
| 7    | 4.36 | 10.86 | 6.50 | .88 | 1.12 |
| 8    | 4.24 | 10.74 | 6.50 | .88 | 1.12 |
| 9    | 4.11 | 10.61 | 6.50 | .88 | 1.12 |
| 10   | 4.61 | 11.11 | 6.50 | .88 | 1.12 |
| 11   | 4.11 | 10.11 | 6.00 | .88 | .88  |
| 12   | 4.61 | 10.61 | 6.00 | .56 | .88  |
| 13   | 3.99 | 10.04 | 6.05 | .88 | 1.51 |
| 14   | 4.86 | 10.86 | 6.00 | .94 | 088  |
| 15   | 4.36 | 10.86 | 6.50 | .88 | 1.12 |

# 5-5/8" Diameter (Totally Enclosed) - Outdoor Ball and Sleeve Bearing

## Condensers - Heat Pump - Refrigeration

### Features:

- Energy Efficient \$
- Permanent Split Capacitor
- Class B or Class F Insulation
- Ball or Sleeve Bearing
- 1/2" Dia. Flatted Shaft
- 26" (Minimum) to 48" Leads
- 60 HZ
- All Angle Mount
- 60° or 70° C Ambient
- Auto Protector
- Reversible
- 4, 6, and 8 Pol
- Extended Thru Bolts

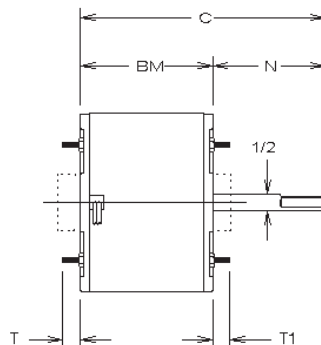


### "TURN-A-BOU" 1 AND 2-SPEED (CAPACITOR NOT INCLUDED)

| HP  | RPM  | Volts   | Speeds | Amps  |      | Insulation |         | Stock Number | Bearings | Capacitor   | Dim. Ref. | Notes                   |
|-----|------|---------|--------|-------|------|------------|---------|--------------|----------|-------------|-----------|-------------------------|
|     |      |         |        | Rated | Max. | Class      | Ambient |              |          |             |           |                         |
| 1/4 | 1075 | 208-230 | 2      | 1.3   | 1.8  | B          | 60°C    | FSE1026      | Sleeve   | 5MFD/370V   | 1         | 9,71,288,\$             |
| 1/4 | 1075 | 208-230 | 2      | 1.3   | 1.8  | B          | 60°C    | FE1026       | Ball     | 5MFD-370V   | 1         | 9,71,288,\$             |
| 1/4 | 1075 | 277     | 2      | 1.3   | 1.8  | B          | 60°C    | 7FSE1026     | Sleeve   | 5MFD/370V   | 1         | 9,71,288,\$             |
| 1/4 | 1075 | 460     | 1      | 0.75  |      | B          | 60°C    | 788A         | Ball     | 7.5MFD-370V | 8         | 9,26,38,71,288,\$       |
| 1/4 | 1075 | 460     | 1      | 1.0   |      | F          | 70°C    | FEH1026SF    | Ball     | 7.5MFD/370V | 13        | 311,370,\$ HeatMaster   |
| 1/4 | 1625 | 208-230 | 2      | 1.7   | 2.5  | B          | 60°C    | FSE1024      | Sleeve   | 5MFD-370V   | 4         | 9,71,288,\$             |
| 1/3 | 825  | 208-230 | 1      | 2.1   |      | F          | 70°C    | FE1038SF     | Ball     | 7.5MFD/370V | 6         | 311,370,\$ HeatMaster   |
| 1/3 | 825  | 208-230 | 1      | 2.1   |      | F          | 70°C    | FSE1038SF    | Sleeve   | 7.5MFD/370V | 6         | 40,370,\$ HeatMaster    |
| 1/3 | 1075 | 208-230 | 1      | 2.8   |      | F          | 70°C    | FE1036SF     | Ball     | 7.5MFD/370V | 5         | 311,370,\$ HeatMaster   |
| 1/3 | 1075 | 208-230 | 1      | 2.7   |      | B          | 60°C    | FSE1036SV1   | Sleeve   | 7.5MFD/370V | 3         | 9,308,281,\$            |
| 1/3 | 1075 | 208-230 | 1      | 2.8   |      | F          | 70°C    | FSE1036SF    | Sleeve   | 7.5MFD/370V | 5         | 40,281,\$ HeatMaster    |
| 1/3 | 1075 | 208-230 | 2      | 1.8   | 2.8  | B          | 60°C    | FE1036       | Ball     | 7.5MFD-370V | 11        | 9,71,288,\$             |
| 1/3 | 1075 | 208-230 | 2      | 1.8   | 2.8  | B          | 60°C    | FSE1036      | Sleeve   | 7.5MFD/370V | 2         | 9,71,288,\$             |
| 1/3 | 1075 | 460     | 1      | 1.3   |      | F          | 70°C    | FEH1036SF    | Ball     | 7.5MFD/370V | 14        | 311,370,\$ HeatMaster   |
| 1/3 | 1075 | 460     | 1      | 1.0   |      | B          | 60°C    | 789A         | Ball     | 7.5MFD-370V | 9         | 10,26,38,71,288,\$ New! |
| 1/3 | 1100 | 575     | 1      | 0.75  | 0.8  | B          | 60°C    | 5FE1036S     | Ball     | 7.5MFD-440V | 10        | 9,98,311,277,\$         |
| 1/2 | 825  | 208-230 | 1      | 2.5   |      | F          | 70°C    | FE1058SF     | Ball     | 10MFD/370V  | 7         | 311,370,\$ HeatMaster   |
| 1/2 | 825  | 208-230 | 1      | 2.5   |      | F          | 70°C    | FSE1058SF    | Sleeve   | 10MFD/370V  | 7         | 40,370,\$ HeatMaster    |
| 1/2 | 1075 | 208-230 | 1      | 4.0   |      | F          | 70°C    | FE1056SF     | Ball     | 10MFD/370V  | 12        | 311,370,\$ HeatMaster   |
| 1/2 | 1075 | 208-230 | 1      | 4.2   |      | B          | 60°C    | FSE1056SV1   | Sleeve   | 10MFD/370V  | 14        | 9,308,281,\$            |

### Notes:

9. Reversing Plug
10. Reversible. Quick connect terminals
26. Extended thru bolts, shaft end only
38. Includes conduit box, mounting screws, gasket, shipped detached
40. Four mounting holes in shell
71. No hubs on either end
98. 1/2" hub on shaft end and slinger
277. 47" leads
281. 36" leads
288. 26" leads (minimum)
308. 1/2" hub on shaft end frame with slinger. Grommet on lead exits.
311. 1/2" dia. shaft, single flat
370. 48" leads



### Approximate Dimensions

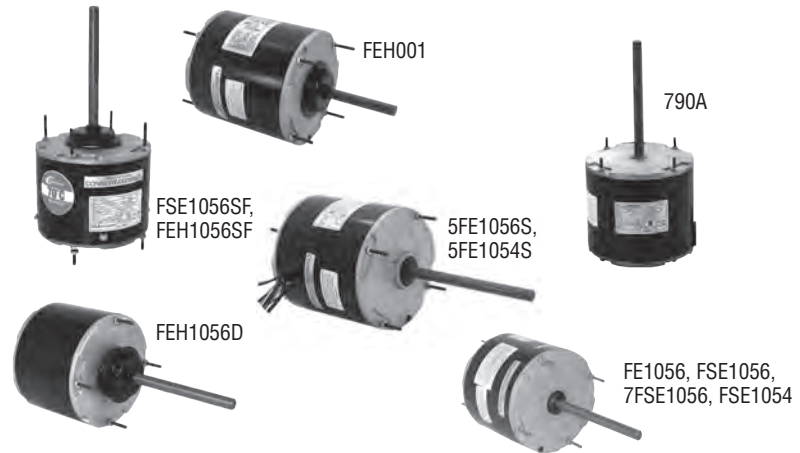
| Ref. | BM   | C     | N    | T   | T1   |
|------|------|-------|------|-----|------|
| 1    | 4.36 | 10.36 | 6.00 | .56 | .88  |
| 2    | 4.86 | 10.86 | 6.00 | .56 | .88  |
| 3    | 4.86 | 11.30 | 6.44 | .56 | .88  |
| 4    | 4.61 | 10.61 | 6.00 | .56 | .88  |
| 5    | 4.86 | 11.36 | 6.50 | .88 | 1.12 |
| 6    | 5.11 | 11.61 | 6.50 | .88 | 1.12 |
| 7    | 5.61 | 12.11 | 6.50 | .88 | 1.12 |
| 8    | 4.99 | 11.05 | 6.06 | —   | .49  |
| 9    | 5.24 | 11.30 | 6.06 | —   | .49  |
| 10   | 5.36 | 11.86 | 6.50 | .56 | .88  |
| 11   | 5.11 | 11.11 | 6.00 | .56 | .88  |
| 12   | 5.36 | 11.86 | 6.50 | .88 | 1.12 |
| 13   | 4.74 | 11.24 | 6.50 | .88 | 1.12 |
| 14   | 5.24 | 11.74 | 6.50 | .88 | 1.12 |

# 5-5/8" Diameter (Totally Enclosed) - Outdoor Ball and Sleeve Bearing

## Condensers - Heat Pump - Refrigeration

### Features:

- Energy Efficient \$
- Permanent Split Capacitor
- Class B or Class F Insulation
- Ball or Sleeve Bearing
- 1/2" Dia. Flatted Shaft
- 26" (Minimum) to 48" Leads
- 60 HZ
- All Angle Mount
- 60° or 70° C Ambient
- Auto Protector
- Reversible
- 4, 6, and 8 Pole
- Extended Thru Bolts



### "TURN-A-BOU" 1 AND 2-SPEED (CAPACITOR NOT INCLUDED)

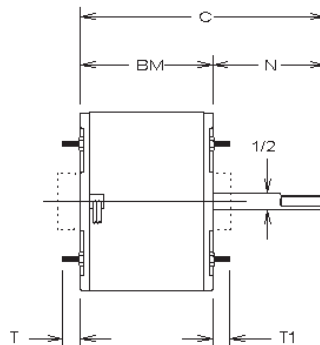
| HP  | RPM  | Volts       | Speeds | Amps    |      | Insulation |         | Stock     |          |             | Dim. |                    | Notes      |
|-----|------|-------------|--------|---------|------|------------|---------|-----------|----------|-------------|------|--------------------|------------|
|     |      |             |        | Rated   | Max. | Class      | Ambient | Number    | Bearings | Capacitor   | Ref. |                    |            |
| 1/2 | 1075 | 208-230     | 1      | 4.0     |      | F          | 70°C    | FSE1056SF | Sleeve   | 10MFD/370V  | 3    | 40,281, \$         | HeatMaster |
| 1/2 | 1075 | 208-230     | 2      | 2.8     | 3.5  | B          | 60°C    | FE1056    | Ball     | 10MFD-370V  | 4    | 9,288, \$          |            |
| 1/2 | 1075 | 208-230     | 2      | 2.8     | 4.0  | B          | 60°C    | FSE1056   | Sleeve   | 10MFD/370V  | 1    | 9,71,288, \$       |            |
| 1/2 | 1075 | 208-230/460 | 1      | 2.4/1.2 |      | B          | 60°C    | FEH1056D  | Ball     | 10MFD-370V  | 9    | 7,9,26,293,288, \$ |            |
| 1/2 | 1075 | 277         | 2      | 2.4     | 3.2  | B          | 60°C    | 7FSE1056  | Sleeve   | 10MFD/370V  | 1    | 9,71,288, \$       |            |
| 1/2 | 1075 | 460         | 1      | 1.2     | 1.35 | B          | 60°C    | FEH001    | Ball     | 10MFD-370V  | 8    | 9,98,119,288, \$   |            |
| 1/2 | 1075 | 460         | 1      | 1.5     |      | B          | 60°C    | 790A      | Ball     | 10MFD-370V  | 5    | 9,26,38,288, \$    |            |
| 1/2 | 1075 | 460         | 1      | 1.5     |      | F          | 70°C    | FEH1056SF | Ball     | 10MFD/370V  | 10   | 311,370, \$        | HeatMaster |
| 1/2 | 1100 | 575         | 1      | 1.1     | 1.2  | B          | 60°C    | 5FE1056S  | Ball     | 7.5MFD-370V | 7    | 9,98,277,311, \$   |            |
| 1/2 | 1625 | 208-230     | 2      | 3.0     | 4.2  | B          | 60°C    | FSE1054   | Sleeve   | 5MFD-370V   | 2    | 9,71, \$           |            |
| 1/2 | 1625 | 575         | 1      | 1.0     | 1.4  | B          | 60°C    | 5FE1054S  | Ball     | 7.5MFD-440V | 6    | 9,98,277,311, \$   |            |

### Notes:

- 7. Resilient mounting rings included
- 9. Reversing Plug
- 26. Extended thru bolts, shaft end only
- 38. Includes conduit box, mounting screws, gasket, shipped detached
- 40. Four mounting holes in shell
- 71. No hubs on either end
- 98. 1/2" hub on shaft end and slinger
- 119. Suitable replacement for Aaon
- 277. 47" leads
- 281. 36" leads
- 288. 26" leads (minimum)
- 293. 9" leads
- 311. 1/2" dia. shaft, single flat
- 370. 48" leads

### Approximate Dimensions

| Ref. | BM   | C     | N    | T   | T1   |
|------|------|-------|------|-----|------|
| 1    | 5.36 | 11.36 | 6.00 | .56 | .88  |
| 2    | 5.36 | 11.36 | 6.00 | .56 | .88  |
| 3    | 5.36 | 11.86 | 6.50 | .88 | 1.12 |
| 4    | 5.36 | 11.36 | 6.00 | .56 | .88  |
| 5    | 5.61 | 11.67 | 6.06 | —   | .49  |
| 6    | 5.36 | 11.86 | 6.50 | .56 | .88  |
| 7    | 5.61 | 12.11 | 6.50 | .56 | .88  |
| 8    | 5.61 | 9.61  | 4.00 | .88 | .95  |
| 9    | 5.61 | 11.61 | 6.00 | —   | .88  |
| 10   | 5.61 | 12.11 | 6.50 | .88 | 1.12 |



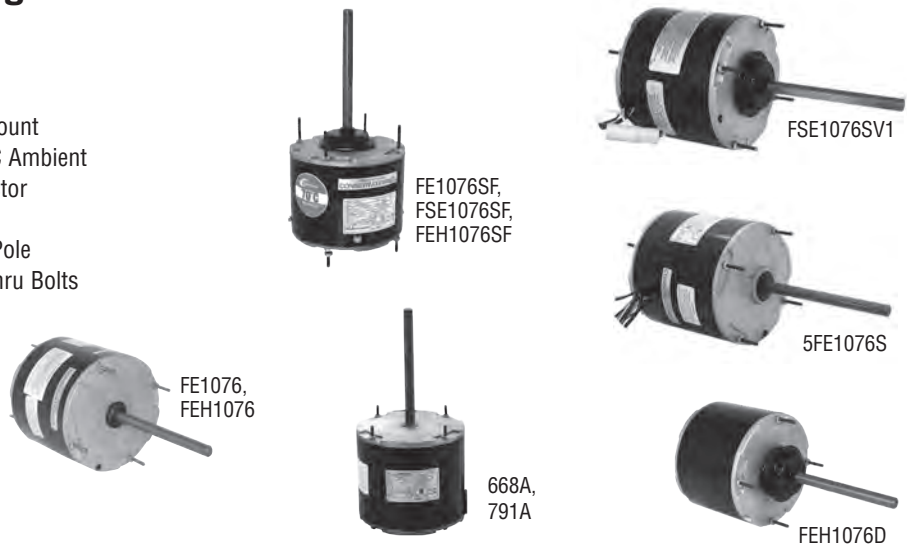


# 5-5/8" Diameter (Totally Enclosed) - Outdoor Ball and Sleeve Bearing

## Condensers - Heat Pump - Refrigeration

### Features:

- Energy Efficient \$
- Permanent Split Capacitor
- Class B or Class F Insulation
- Ball or Sleeve Bearing
- 1/2" Dia. Flatted Shaft
- 26" (Minimum) to 48" Leads
- 60 HZ
- All Angle Mount
- 60° or 70° C Ambient
- Auto Protector
- Reversible
- 4, 6 and 8 Pole
- Extended Thru Bolts

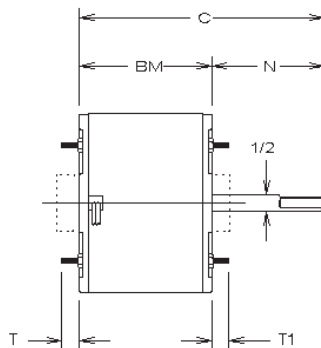


### "TURN-A-BOUT" 1 AND 2-SPEED (CAPACITOR NOT INCLUDED)

| HP  | RPM  | Volts       | Speeds | Amps    |      | Insulation |         | Stock      |          |              | Dim. |                       |
|-----|------|-------------|--------|---------|------|------------|---------|------------|----------|--------------|------|-----------------------|
|     |      |             |        | Rated   | Max. | Class      | Ambient | Number     | Bearings | Capacitor    | Ref. | Notes                 |
| 3/4 | 1075 | 208-230     | 1      | 4.1     |      | B          | 60°C    | 668A       | Ball     | 15MFD-370V   | 8    | 9,60,98,288,\$        |
| 3/4 | 1075 | 208-230     | 1      | 5.1     |      | F          | 70°C    | FE1076SF   | Ball     | 15MFD/370V   | 9    | 311,370,\$ HeatMaster |
| 3/4 | 1075 | 208-230     | 1      | 5.2     |      | B          | 60°C    | FSE1076SV1 | Sleeve   | 15MFD/370V   | 1    | 9,308,281,\$          |
| 3/4 | 1075 | 208-230     | 1      | 5.1     |      | F          | 70°C    | FSE1076SF  | Sleeve   | 15MFD/370V   | 2    | 40,281,\$ HeatMaster  |
| 3/4 | 1075 | 208-230     | 2      | 3.8     | 4.7  | B          | 60°C    | FE1076     | Ball     | 12.5MFD-370V | 6    | 9,178,288,\$          |
| 3/4 | 1075 | 208-230/460 | 1      | 3.4/1.7 |      | B          | 60°C    | FEH1076D   | Ball     | 10MFD-370V   | 7    | 7,9,26,293,375\$      |
| 3/4 | 1075 | 460         | 1      | 2.5     |      | B          | 60°C    | 791A       | Ball     | 10MFD-370V   | 5    | 9,26,38,288,\$        |
| 3/4 | 1075 | 460         | 1      | 2.2     |      | F          | 70°C    | FEH1076SF  | Ball     | 10MFD/370V   | 10   | 311,370,\$ HeatMaster |
| 3/4 | 1075 | 460         | 2      | 1.7     | 1.9  | B          | 60°C    | FEH1076    | Ball     | 10MFD-370V   | 3    | 9,178,288,\$          |
| 3/4 | 1075 | 575         | 1      | 1.8     | 1.9  | B          | 60°C    | 5FE1076S   | Ball     | 15MFD-370V   | 4    | 9,277,311,\$          |

### Notes:

- 7. Resilient mounting rings included
- 9. Reversing Plug
- 26. Extended thru bolts, shaft end only
- 38. Includes conduit box, mounting screws, gasket, shipped detached
- 40. Four mounting holes in shell
- 60. Stock #1218A adapter and rings supplied for base mounting
- 98. 1/2" hub on shaft end and slinger
- 178. Low speed 1/2 HP
- 277. 47" leads
- 281. 36" leads
- 288. 26" leads (minimum)
- 293. 9" leads
- 308. 1/2" hub on shaft end frame with slinger
- 311. 1/2" dia. shaft, single flat
- 370. 48" leads
- 375. 5" leads



### Approximate Dimensions

| Ref. | BM   | C     | N    | T    | T1   |
|------|------|-------|------|------|------|
| 1    | 5.61 | 12.06 | 6.45 | .61  | .88  |
| 2    | 5.61 | 12.11 | 6.50 | .88  | 1.12 |
| 3    | 6.11 | 12.11 | 6.00 | .88  | .45  |
| 4    | 6.11 | 12.61 | 6.50 | 1.20 | .88  |
| 5    | 6.11 | 12.17 | 6.06 | —    | .49  |
| 6    | 5.86 | 11.86 | 6.00 | .56  | .88  |
| 7    | 6.11 | 12.11 | 6.00 | —    | .88  |
| 8    | 5.86 | 11.84 | 5.98 | .88  | 1.63 |
| 9    | 5.61 | 12.11 | 6.50 | .88  | 1.12 |
| 10   | 6.11 | 12.61 | 6.50 | .88  | 1.12 |

# 5-5/8" Diameter Deluxe Commercial Condenser Fan Motors

## Features:

- Energy Efficient \$
- Auto Protector
- Class B or Class F Insulation
- Heavy duty Ball Bearing
- High Thrust Capacity
- Reversible
- "Patented" Fan Canopy
- Vertical shaft up only
- 48 Frame
- 60° or 70° C Ambient
- 60 HZ Only



**SINGLE PHASE (CAPACITOR NOT INCLUDED) (SINGLE PHASE MOTORS [EXCEPT 1-1/2 HP] SUITABLE FOR USE WITH SOME SOLID STATE SPEED CONTROL DEVICES)**

| HP    | RPM  | Volts       | F.L. Amps |      |      | Ins. Class | Ambient | Stock Number    | Shaft Type        | Capacitor   | Dim. Ref. | Notes          |
|-------|------|-------------|-----------|------|------|------------|---------|-----------------|-------------------|-------------|-----------|----------------|
|       |      |             | 230V      | 460V | 575V |            |         |                 |                   |             |           |                |
| .4    | 1075 | 200-230/460 | 3.2       | 1.6  |      | F          | 70°C    | <b>FC1046F</b>  | 1/2" Flat-A       | 5MFD/440V   | 1         | HeatMaster     |
| .6    | 1075 | 200-230/460 | 4.0       | 2.0  |      | F          | 70°C    | <b>FC1066F</b>  | 1/2" Flat-A       | 7.5MFD/440V | 2         | HeatMaster     |
| .6    | 1075 | 200-230/460 | 4.0       | 2.0  |      | F          | 70°C    | <b>FC1066AF</b> | 5/8" Flat & Key-B | 7.5MFD/440V | 2         | HeatMaster     |
| .6    | 1075 | 575         |           |      | 1.5  | B          | 60°C    | <b>5FC1066</b>  | 1/2" Flat-A       | 7.5MFD/440V | 10        |                |
| .8    | 1075 | 200-230/460 | 4.6       | 2.3  |      | F          | 70°C    | <b>FC1086F</b>  | 1/2" Flat-A       | 20MFD/370V  | 3         | 196 HeatMaster |
| .8    | 1075 | 200-230/460 | 4.6       | 2.3  |      | F          | 70°C    | <b>FC1086AF</b> | 5/8" Flat & Key-B | 20MFD/370V  | 3         | HeatMaster     |
| 1     | 1075 | 200-230/460 | 6.4       | 3.2  |      | F          | 70°C    | <b>FC1106F</b>  | 5/8" Flat & Key-B | 25MFD/370V  | 4         | 251 HeatMaster |
| 1     | 1075 | 575         |           |      | 2.2  | B          | 60°C    | <b>5FC1106</b>  | 5/8" Flat & Key-B | 25MFD/370V  | 4         | 251            |
| 1 1/2 | 1075 | 200-230/460 | 7.0       | 3.5  |      | F          | 70°C    | <b>FC1156F</b>  | 5/8" Flat & Key-B | 25MFD/370V  | 5         | 251 HeatMaster |

## THREE PHASE

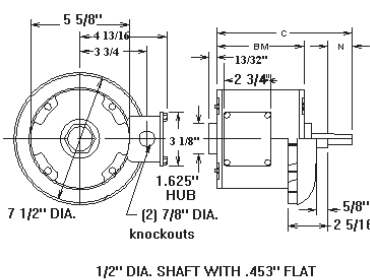
| HP    | RPM  | Volts       | F.L. Amps |      |      | Ins. Class | Ambient | Stock Number   | Shaft Type        | Capacitor   | Dim. Ref. | Notes          |
|-------|------|-------------|-----------|------|------|------------|---------|----------------|-------------------|-------------|-----------|----------------|
|       |      |             | 230V      | 460V | 575V |            |         |                |                   |             |           |                |
| 1/2   | 1140 | 200-230/460 | 3.0       | 1.5  |      | F          | 70°C    | <b>FC3056F</b> | 1/2" Flat-A       | Three-Phase | 2         | HeatMaster     |
| 3/4   | 1140 | 200-230/460 | 4.0       | 2.0  |      | F          | 70°C    | <b>FC3076F</b> | 5/8" Flat & Key-B | Three-Phase | 6         | HeatMaster     |
| 3/4   | 1140 | 575         |           |      | 1.5  | B          | 60°C    | <b>5FC3076</b> | 5/8" Flat & Key-B | Three-Phase | 8         |                |
| 1     | 1120 | 200-230/460 | 5.0       | 2.5  |      | B          | 60°C    | <b>FC3107</b>  | 5/8" Flat & Key-B | Three-Phase | 7         | 251            |
| 1     | 1140 | 200-230/460 | 5.6       | 2.8  |      | F          | 70°C    | <b>FC3106F</b> | 5/8" Flat & Key-B | Three-Phase | 4         | 251 HeatMaster |
| 1     | 1100 | 575         |           |      | 1.3  | B          | 40°C    | <b>9428A</b>   | 1/2" Flat         | Three-Phase | 9         | 31             |
| 1     | 1140 | 575         |           |      | 2.3  | B          | 60°C    | <b>5FC3106</b> | 5/8" Flat & Key-B | Three-Phase | 4         | 251            |
| 1 1/2 | 1120 | 200-230/460 | 5.8       | 2.9  |      | F          | 70°C    | <b>FC3156F</b> | 5/8" Flat & Key-B | Three-Phase | 4         | 251 HeatMaster |

## Notes:

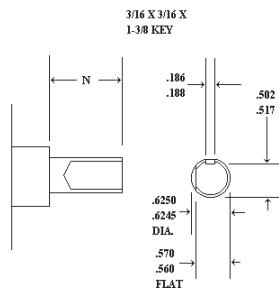
- 31. 40 Degree C ambient
- 196. Includes 5/8" adapter & key
- 251. All 1 HP and 1-1/2 HP motor supplied with conversion kit allowing motor to be used in most 56 frame applications

## Approximate Dimensions

| Ref. | BM    | C     | N    |
|------|-------|-------|------|
| 1    | 5.36  | 10.30 | 3.57 |
| 2    | 6.99  | 12.49 | 3.85 |
| 3    | 8.86  | 13.80 | 3.57 |
| 4    | 9.56  | 15.00 | 4.07 |
| 5    | 10.11 | 15.55 | 4.07 |
| 6    | 9.11  | 14.55 | 4.07 |
| 7    | 8.81  | 14.25 | 4.07 |
| 8    | 8.56  | 14.00 | 4.07 |
| 9    | 7.50  | 10.68 | 2.71 |
| 10   | 6.94  | 12.16 | 3.57 |



Type A



Type B

# 6-1/2" Diameter Stock Motors

## 56 Frame Vertical Condenser Fan Continuous Duty, Air Over

### Features:

- Class B Moisture-Resistant Insulation
- Double Sealed Ball Bearing
- Permanent Split Capacitor
- Quick-Connect Design
- 1" (Minimum) Extended Thru Bolts
- Reversible
- 5/8" Dia. Shaft with both Keyway and Flat
- 60°C Ambient
- 60 Hz



C512V1, C660V1,  
C513V1, C661V1, C784,  
C770V1



C770, C771,  
C081



C490



FY1106V1



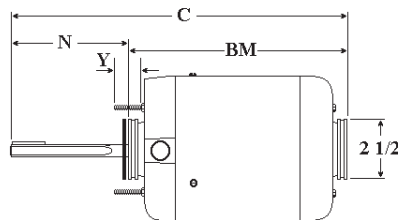
C785, C786

### PERMANENT SPLIT CAPACITOR - ELECTRICALLY REVERSIBLE

| HP    | RPM  | Volts       | Full Load Amps | Service Factor | Frame | Stock Number | Enclosure | Protector | Capacitor    | Ring to Ring Dimension | Dim Ref. | Notes     |
|-------|------|-------------|----------------|----------------|-------|--------------|-----------|-----------|--------------|------------------------|----------|-----------|
| 1/2   | 850  | 460/200-230 | 1.7/3.5-3.4    | 1.00           | 56Y   | C512V1       | OAO       | Auto      | 15MFD-370V   | 10.31                  | 1        | 58        |
| 1/2   | 850  | 115/208-230 | 6.6/4.0-3.3    | 1.00           | 56Y   | C784         | OAO       | Auto      | 15MFD-370V   | 10.30                  | 1        | 58        |
| 1/2   | 1075 | 460/200-230 | 1.25/2.6-2.5   | 1.00           | 56Y   | C513V1       | OAO       | Auto      | 10MFD-370V   | 9.81                   | 2        | 58        |
| 3/4   | 825  | 460/200-230 | 2.6/5.3-5.2    | 1.00           | 56Y   | C660V1       | OAO       | Auto      | 15MFD-370V   | 10.81                  | 3        | 58        |
| 3/4   | 1075 | 460/200-230 | 1.9/4.0-3.8    | 1.00           | 56Y   | C661V1       | OAO       | Auto      | 15MFD-370V   | 9.81                   | 2        | 58        |
| 1     | 825  | 460/200-230 | 3.4/7.2-6.8    | 1.00           | 56Z   | C490         | OAO       | Auto      | 12.5MFD-370V | 11.05                  | 4        | 31,58,265 |
| 1     | 1075 | 460/200-230 | 2.4/4.8        | 1.00           | 56Y   | C770         | OAO       | Auto      | 25MFD-370V   |                        | 1        |           |
| 1     | 1075 | 460/200-230 | 2.4/4.8        | 1.00           | 56Y   | C770V1       | OAO       | Auto      | 25MFD-370V   | 10.31                  | 1        | 58        |
| 1     | 1075 | 208-230/460 | 4.2/2.3        | 1.00           | 56Y   | C785         | TEAO      | Auto      | 25MFD-440V   | 10.80                  | 3        | 31,58     |
| 1     | 1075 | 200-230/460 | 5.0/2.5        | 1.00           | 56Y   | FY1106V1     | OAO       | Auto      | 20MFD-370V   | 9.84                   | 2        | 6,58      |
| 1     | 1075 | 575         | 2.2            | 1.00           | 56Y   | C081         | OAO       | Auto      | 25MFD-370V   |                        | 3        |           |
| 1 1/2 | 1075 | 460/200-230 | 3.3/6.6        | 1.00           | 56Y   | C771         | OAO       | Auto      | 25MFD-370V   |                        | 5        |           |
| 1 1/2 | 1075 | 208-230/460 | 6.6/3.3        | 1.00           | 56Y   | C786         | TEAO      | Auto      | 25MFD-370V   | 11.60                  | 5        | 31,58     |

#### Notes:

- 6. 60/50 HZ
- 31. 40 degree C ambient
- 58. Supplied with resilient mounting rings
- 265. 50-inch leads, 2-1/2" resilient rings



### Approximate Dimensions

| Ref. | BM    | C     | N    | Y    |
|------|-------|-------|------|------|
| 1    | 10.75 | 16.81 | 6.00 | 1.00 |
| 2    | 10.31 | 16.31 | 6.00 | 1.00 |
| 3    | 11.31 | 17.31 | 6.00 | 1.00 |
| 4    | 11.50 | 17.50 | 6.00 | 1.25 |
| 5    | 12.06 | 18.06 | 6.00 | 1.00 |

Motors shipped with thru bolts out shaft end may be reversed for vertical mount.

## 56 Frame Vertical Condenser Fan Continuous Duty, Air Over

### Features:

- Auto Protector
- Class B or F Moisture-Resistant Insulation
- Double Sealed Ball Bearing
- Three Phase
- Quick-Connect Design
- Reversible
- 5/8" Dia. Shaft with both Keyway and Flat
- 60 Hz

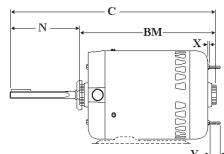


### THREE PHASE - ELECTRICALLY REVERSIBLE

| HP    | RPM      | Volts       | Amps        | Service Factor | Frame | Stock Number | Insul. Class | Ambient °C | Enclosure | Dim. Ref. | Notes        |
|-------|----------|-------------|-------------|----------------|-------|--------------|--------------|------------|-----------|-----------|--------------|
| 1/2   | 1140     | 460-208/230 | .95/2.0-1.9 | 1.00           | 56Y   | OKR1096      | B            | 40         | TEAO      | 11        | 3,163        |
| 1/2   | 1140     | 460/200-230 | 1.3/2.8-2.6 | 1.00           | 56HZ  | H1055A       | F            | 70         | OAO       | 17        | 368,371,New! |
| 1/2   | 1140     | 460/200-230 | 1.3/2.8-2.6 | 1.00           | 56Y   | H564         | B            | 60         | OAO       | 1         |              |
| 1/2   | 1140     | 575         | 0.80        | 1.00           | 56 Y  | H977         | B            | 60         | TEAO      | 10        | 163          |
| 3/4   | 1140     | 460/200-230 | 1.5/2.8-3.0 | 1.00           | 56HZ  | H1056A       | F            | 70         | OAO       | 18        | 368,371,New! |
| 3/4   | 1140     | 460/200-230 | 1.5/2.8-3.0 | 1.00           | 56Y   | H567         | B            | 60         | OAO       | 1         |              |
| 3/4   | 1140     | 575         | 1.25        | 1.00           | 56Y   | H961         | B            | 60         | OAO       | 1         |              |
| 1     | 850      | 460/200-230 | 2.0/4.4-4.0 | 1.00           | 56Y   | OKR1503      | B            | 60         | OAO       | 3         | 3,163,368    |
| 1     | 850      | 460/208-230 | 2.6/5.2-5.0 | 1.00           | 56HZ  | H1053A       | F            | 70         | OAO       | 15        | 368,371,New! |
| 1     | 850      | 460/208-230 | 2.6/5.2-5.0 | 1.00           | 56HZ  | H1053RB      | F            | 70         | OAO       | 15        | 34,368,New!  |
| 1     | 850      | 460/200-230 | 2.0/4.4-4.0 | 1.00           | 56Y   | H686         | B            | 60         | OAO       | 2         | 163          |
| 1     | 850      | 575         | 1.6         | 1.00           | 56Y   | H962         | B            | 60         | OAO       | 3         | 163          |
| 1     | 1140     | 460/200-230 | 2.6/5.3-5.2 | 1.00           | 56Y   | H667         | B            | 60         | OAO       | 4         |              |
| 1     | 1140     | 460/208-230 | 2.2/4.4-4.0 | 1.00           | 56HZ  | H1050RB      | F            | 70         | OAO       | 13        | 34,368,New!  |
| 1     | 1140     | 460/208-230 | 2.2/4.4-4.0 | 1.00           | 56HZ  | H1050A       | F            | 70         | OAO       | 13        | 368,371,New! |
| 1     | 1140/940 | 460/208-230 | 1.8/3.7-3.6 | 1.15           | 56Y   | H696         | B            | 70         | TEAO      | 5         | 6            |
| 1     | 1140     | 575         | 2.0         | 1.00           | 56Y   | H671         | B            | 60         | OAO       | 1         |              |
| 1     | 1140     | 200-230/460 | 5.7/2.9     | 1.00           | 56Y   | FY3106       | B            | 60         | TEAO      | 6         | 6,76         |
| 1 1/2 | 850      | 460/208-230 | 3.6/6.7-7.2 | 1.00           | 56HZ  | H1054A       | F            | 70         | OAO       | 16        | 368,371,New! |
| 1 1/2 | 850      | 460/208-230 | 3.6/6.7-7.2 | 1.00           | 56HZ  | H1054RB      | F            | 70         | OAO       | 16        | 34,368,New!  |
| 1 1/2 | 1140     | 200-230/460 | 5.4/2.7     | 1.00           | 56Y   | FY3156       | B            | 60         | TEAO      | 7         | 6,76         |
| 1 1/2 | 1140     | 460/208-230 | 2.9/5.8-5.8 | 1.00           | 56HZ  | H1051A       | F            | 70         | OAO       | 14        | 368,371,New! |
| 1 1/2 | 1140     | 460/208-230 | 2.9/5.8-5.8 | 1.00           | 56HZ  | H1051RB      | F            | 70         | OAO       | 14        | 34,368,New!  |
| 1 1/2 | 1140     | 460/200-230 | 3.0/5.8-6.0 | 1.00           | 56Y   | H767         | B            | 60         | ODP       | 4         |              |
| 1 1/2 | 1140     | 460/200-230 | 2.6/5.4-5.2 | 1.15           | 56Y   | H697         | B            | 70         | TEAO      | 8         |              |
| 1 1/2 | 1140     | 575         | 2.3         | 1.00           | 56Y   | H963         | B            | 60         | OAO       | 4         |              |
| 2     | 1140     | 460/208-230 | 3.1/6.8-6.2 | 1.00           | 56Y   | H698         | B            | 70         | TEAO      | 9         |              |
| 2     | 1140     | 460/208-230 | 3.7/7.4-7.0 | 1.00           | 56HZ  | H1052A       | F            | 70         | OAO       | 15        | 368,371,New! |
| 2     | 1140     | 460/208-230 | 3.7/7.4-7.0 | 1.00           | 56HZ  | H1052RB      | F            | 70         | OAO       | 15        | 34,368,New!  |
| 2     | 1140     | 460/208-230 | 3.1/6.8-6.2 | 1.00           | 56Y   | H699         | B            | 70         | ODP       | 12        |              |

### Notes:

- 3. Special OEM Replacement Motor (see pages 94-132)
- 6. 60/50 Hz
- 34. Rigid base
- 76. Motors shipped with thru bolts out shaft end – see photos above. May be reversed for vertical mount.
- 163. No keyway, double flat
- 368. Inverter Duty
- 371. Removable 56H rigid base



### Approximate Dimensions

| Ref. | BM    | C     | N    | Y    | X    |
|------|-------|-------|------|------|------|
| 1    | 10.31 | 16.31 | 6.00 | 1.00 |      |
| 2    | 9.36  | 14.24 | 4.88 |      |      |
| 3    | 10.25 | 13.56 | 3.31 |      |      |
| 4    | 10.81 | 16.81 | 6.00 | 1.00 |      |
| 5    | 10.75 | 15.63 | 4.88 |      |      |
| 6    | 11.32 | 15.42 | 4.10 | 1.18 | 0.63 |
| 7    | 10.59 | 14.84 | 4.25 | 1.17 | 0.63 |
| 8    | 11.25 | 17.44 | 6.19 |      |      |
| 9    | 12.00 | 15.63 | 3.63 |      |      |

### Approximate Dimensions

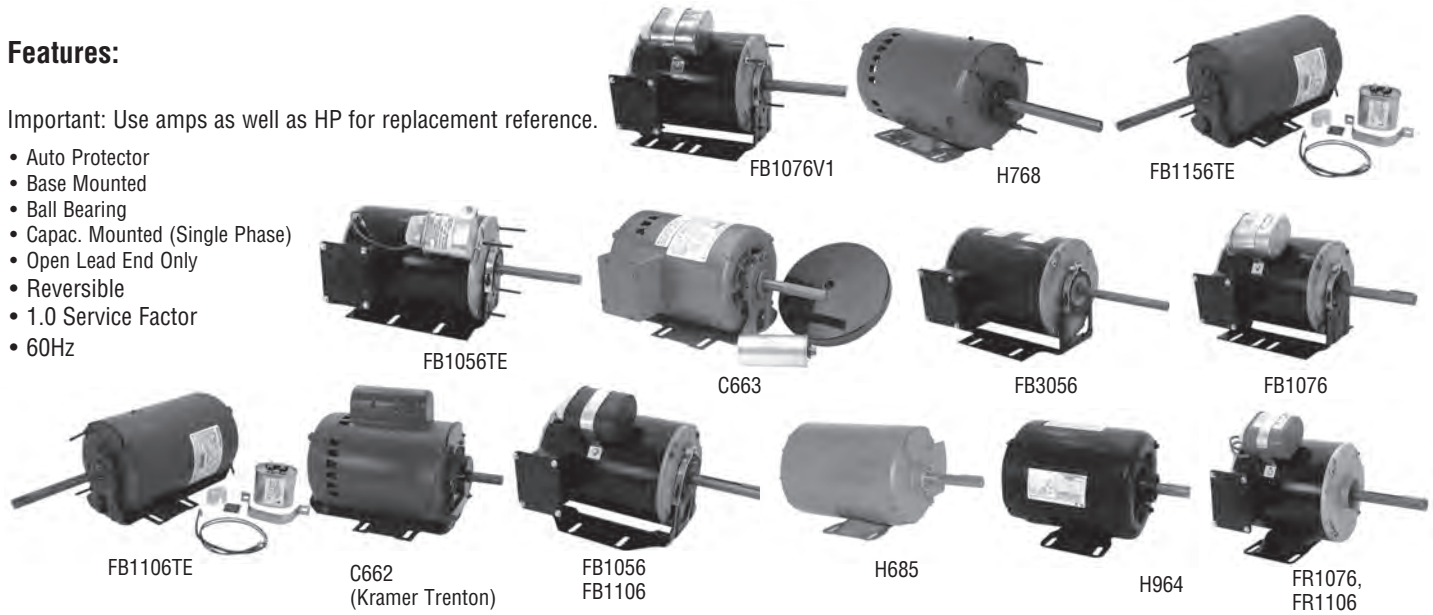
| Ref. | BM    | C     | N    | Y    | X |
|------|-------|-------|------|------|---|
| 10   | 9.12  | 12.56 | 3.44 |      |   |
| 11   | 9.13  | 11.07 | 1.94 |      |   |
| 12   | 12.00 | 18.19 | 6.19 |      |   |
| 13   | 10.33 | 16.30 | 6.00 | 1.00 |   |
| 14   | 11.32 | 17.32 | 6.00 | 1.00 |   |
| 15   | 12.32 | 18.32 | 6.00 | 1.00 |   |
| 16   | 12.77 | 18.77 | 6.00 | 1.00 |   |
| 17   | 10.09 | 16.09 | 6.00 | 1.00 |   |
| 18   | 10.20 | 16.20 | 6.00 | 1.00 |   |

# Outdoor Ball Bearing Condenser Fan Motors

## Features:

Important: Use amps as well as HP for replacement reference.

- Auto Protector
- Base Mounted
- Ball Bearing
- Capac. Mounted (Single Phase)
- Open Lead End Only
- Reversible
- 1.0 Service Factor
- 60Hz



## SINGLE PHASE - PSC

| HP      | RPM  | Volts       | Max. Amps   | Frame | Stock Number | Shaft           | Ambient "C" | Enclosure | Rotation   | Base      | Dim Ref. | Notes    |
|---------|------|-------------|-------------|-------|--------------|-----------------|-------------|-----------|------------|-----------|----------|----------|
| 1/2     | 1075 | 208-230/460 | 2.4/1.2     | 48Y   | FB1056TE     | 1/2" FLAT       | 40          | TEAO      | REVERSIBLE | RESILIENT | 13       |          |
| 1/2     | 1075 | 208-230/460 | 5.2/2.6     | 48Z   | FB1056       | 1/2" FLAT       | 60          | OAO       | REVERSIBLE | RESILIENT | 1        | 211,212  |
| 3/4     | 1075 | 208-230/460 | 6.0/3.0     | 56Y   | FB1076       | 5/8" KEY & FLAT | 60          | OAO       | REVERSIBLE | RESILIENT | 2        | 210      |
| 3/4     | 1075 | 208-230/460 | 6.0/3.0     | 48Y   | FR1076       | 5/8" KEY & FLAT | 60          | OAO       | REVERSIBLE | RIGID     | 3        | 210      |
| 3/4     | 1075 | 460/208-230 | 2.1/4.3-4.2 | 56Y   | C662         | 5/8" FLAT       | 60          | OAO       | RCC        | RESILIENT | 7        | 3        |
| 3/4     | 1075 | 208-230/460 | 6.0/3.0     | 48Y   | FB1076V1     | 1/2" FLAT       | 60          | OAO       | REVERSIBLE | RESILIENT | 13       | 318      |
| 3/4 SPL | 1100 | 208-230/460 | 4.8-4.2/2.1 | 56Z   | C663         | 5/8" FLAT       | 40          | ODP       | CCW        | RESILIENT | 8        | 3,59,241 |
| 1       | 1075 | 208-230/460 | 7.6/3.8     | 56Y   | FB1106       | 5/8" KEY & FLAT | 60          | OAO       | REVERSIBLE | RESILIENT | 4        | 209      |
| 1       | 1075 | 208-230/460 | 9.0/4.5     | 56Y   | FR1106       | 5/8" KEY & FLAT | 60          | OAO       | REVERSIBLE | RIGID     | 5        | 209      |
| 1       | 1075 | 208-230/460 | 4.2/2.3     | 56Y   | FB1106TE     | 5/8" KEY & FLAT | 40          | TEAO      | RCC        | RESILIENT | 14       | 314      |
| 1 1/2   | 1075 | 208-230/460 | 6.6/3.3     | 56Y   | FB1156TE     | 5/8" KEY & FLAT | 40          | TEAO      | RCW        | RESILIENT | 12       | 314      |

## THREE-PHASE

| HP    | RPM  | Volts       | Max. Amps   | Frame | Stock Number | Shaft           | Ambient "C" | Enclosure | Rotation   | Base      | Dim Ref. | Notes |
|-------|------|-------------|-------------|-------|--------------|-----------------|-------------|-----------|------------|-----------|----------|-------|
| 1/2   | 1140 | 208-230/460 | 2.5/1.25    | 56Y   | FB3056       | 1/2" Flat       | 60          | OAO       | Reversible | Resilient | 6        |       |
| 1     | 1140 | 460/200-230 | 1.9/4.2-3.8 | 56Y   | H685         | 5/8" Key & Flat | 60          | TEAO      | RCC        | Rigid     | 9        |       |
| 1     | 1140 | 575         | 1.4         | 56Z   | H964         | 5/8" Keyed      | 60          | TEAO      | RCC        | Rigid     | 10       |       |
| 1 1/2 | 1140 | 460/200-230 | 3.0/5.8-6.0 | 56Y   | H768         | 5/8" Key & Flat | 60          | ODP       | RCC        | Rigid     | 11       |       |

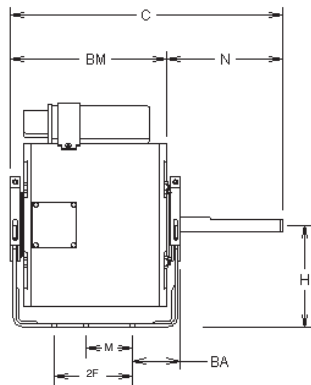
## Notes:

3. Special OEM Replacement Motor (see pages 94-132)  
 59. Suitable for use with low ambient speed control  
 209. FB1106 and FR1106 also replaces motor used on Kramer Trenton units DD661, DD791 (Recommend FR1106 for vertical applications.)  
 210. FB1076/FR1076 also replaces Kramer Trenton 045-004 and Universal HF3W0R8K, HF3W052N  
 211. FB1056 is the same as FB1056X

212. FB1056 also replaces Dunham Bush motor MTR-226  
 241. Capacitor and rainshield included  
 314. 1" Extended thru bolt  
 318. 1-1/2" Extended thru bolt

## Approximate Dimensions

| Ref. | BM    | C     | N    | H    | BA   | 2F   | M    |
|------|-------|-------|------|------|------|------|------|
| 1    | 8.69  | 13.19 | 4.50 | 3.00 | 2.43 | 2.75 |      |
| 2    | 7.36  | 12.31 | 4.95 | 3.50 | 1.50 | 2.75 | 1.69 |
| 3    | 7.31  | 12.25 | 4.94 | 3.50 | 2.75 | 3.00 |      |
| 4    | 8.33  | 12.83 | 4.50 | 3.50 | 1.50 | 3.00 |      |
| 5    | 8.00  | 12.94 | 4.94 | 3.50 | 2.75 | 3.00 |      |
| 6    | 7.75  | 13.41 | 5.66 | 3.50 | 2.56 | 3.00 |      |
| 7    | 9.75  | 12.75 | 3.00 | 3.50 | 2.75 | 3.00 |      |
| 8    | 9.78  | 14.35 | 4.57 | 3.50 | 2.75 | 3.00 |      |
| 9    | 8.86  | 12.86 | 4.00 | 3.50 | 2.75 | 3.00 |      |
| 10   | 9.78  | 13.81 | 4.03 | 3.50 | 2.75 | 3.00 |      |
| 11   | 10.34 | 16.81 | 6.47 | 3.50 | 2.75 | 5.00 | 3.00 |
| 12   | 11.59 | 18.06 | 6.47 | 3.50 | 2.75 | 3.00 |      |
| 13   | 8.24  | 13.74 | 5.50 | 3.00 | 2.43 | 2.75 |      |
| 14   | 10.59 | 17.31 | 6.72 | 3.50 | 2.75 | 3.00 |      |





## One and 2-Speed Evaporative Cooler Motor

### Features:

#### Premium Moisture Resistance Windings (115 Volt)

The evaporative cooler motor provides all the features needed to insure long, trouble-free life under the high moisture atmosphere of evaporative cooler duty.

- Brass current carrying terminal board parts
- Class B insulation
- Continuous filtration of oil
- Electro-zinc plated governor parts, dust caps, terminal board cover
- Heavy magnet wire insulation
- High viscosity encapsulating varnish
- Moisture resistant terminal board
- No frame ventilation openings in the top portion of the frame
- Single and two speed
- 7-1/2" ring to ring dimension\*



### Applications: Belt Driven Evaporative Coolers

Readily acknowledged as the leading supplier to the residential and commercial evaporative cooler market, Century offers moisture resistant features including plated hardware and switch parts, fungus treatment and double dip varnish treatment. These features provide the best buy for the customer.

| HP                       | RPM       | Speeds | Volts | Full Load Amps | Service Factor | Frame | Stock Number | Protector | Enclosure | Rotation | "C" Dim. | Notes    |
|--------------------------|-----------|--------|-------|----------------|----------------|-------|--------------|-----------|-----------|----------|----------|----------|
| <b>OPEN, SPLIT PHASE</b> |           |        |       |                |                |       |              |           |           |          |          |          |
| 1/3                      | 1725      | 1      | 115   | 6.5            | 1.00           | 56Z   | VB2034       | Auto      | ODP       | CCWLE    | 9.45     | 330,*    |
| 1/3                      | 1725      | 1      | 115   | 6.5            | 1.00           | 56Z   | VB2034B      | Auto      | ODP       | CCWLE    | 9.45     | 81,262   |
| 1/3~1/10                 | 1725/1140 | 2      | 115   | 6.5/3.6        | 1.00           | 56Z   | SVB2034      | Auto      | ODP       | CCWLE    | 9.45     | 330,*    |
| 1/3~1/10                 | 1725/1140 | 2      | 115   | 6.9/4.0        | 1.00           | 56Z   | SVB2034B     | Auto      | ODP       | CCWLE    | 9.45     | 81,262   |
| 1/2                      | 1725      | 1      | 115   | 7.8            | 1.00           | 56Z   | VB2054       | Auto      | ODP       | CCWLE    | 9.45     | 330,*    |
| 1/2                      | 1725      | 1      | 115   | 7.6            | 1.00           | 56Z   | V2054B       | Auto      | Open      | REV      | 9.44     | 1,81,262 |
| 1/2                      | 1725      | 1      | 115   | 7.8            | 1.00           | 56Z   | VB2054B      | Auto      | ODP       | CCWLE    | 9.45     | 81,262   |
| 1/2                      | 1725      | 1      | 115   | 8.0            | 1.00           | 56Z   | OTEB2054A    | Auto      | ODP       | CWLE     | 8.94     | 261      |
| 1/2~1/6                  | 1725/1140 | 2      | 115   | 8.5/4.1        | 1.00           | 56Z   | SVB2054      | Auto      | ODP       | CCWLE    | 9.45     | 330,*    |
| 1/2~1/6                  | 1725/1140 | 2      | 230   | 4.4            | 1.00           | 56Z   | SVB2054H     | Auto      | ODP       | CCWLE    | 9.45     | 330,*    |
| 1/2~1/4                  | 1725/1140 | 1      | 115   | 8.0/6.0        | 1.00           | 56Z   | SV2054BV2L   | Auto      | Open      | REV      | 10.45    | New!     |
| 3/4                      | 1725      | 1      | 115   | 10.6           | 1.00           | 56Z   | VB2074       | Auto      | ODP       | CCWLE    | 9.45     | 330,*    |
| 3/4                      | 1725      | 1      | 115   | 10.6           | 1.00           | 56Z   | VB2074B      | Auto      | ODP       | CCWLE    | 9.86     | 81       |
| 3/4~1/4                  | 1725/1140 | 2      | 115   | 10.5/5.0       | 1.00           | 56Z   | SVB2074      | Auto      | ODP       | CCWLE    | 9.45     | 330,*    |
| 3/4~1/4                  | 1725/1140 | 2      | 230   | 5.6/2.8        | 1.00           | 56Z   | SVB2074H     | Auto      | ODP       | CCWLE    | 9.45     | 330,*    |
| 3/4~1/3                  | 1725/1140 | 2      | 115   | 11.2/7.0       | 1.00           | 56    | SVB2074BV1   | Auto      | ODP       | REV      | 9.86     | 1,81     |

Base 805C678H16 and Clamps 165A674A01 available, will fit models with a "C" Dim. of 9.44 or 9.45.

| HP                           | RPM       | Speeds | Volts       | Full Load Amps | Service Factor | Frame | Stock Number | Protector | Enclosure | Rotation | "C" Dim. | Notes  |
|------------------------------|-----------|--------|-------------|----------------|----------------|-------|--------------|-----------|-----------|----------|----------|--------|
| <b>OPEN, CAPACITOR START</b> |           |        |             |                |                |       |              |           |           |          |          |        |
| 1                            | 1725/1425 | 1      | 115/208-230 | 14.4/6.6-7.2   | 1.25           | 56    | V1104BL      | Auto      | Open      | REV      | 11.8     | New!   |
| 1~1/3                        | 1725/1140 | 1      | 115         | 12.7/7.6       | 1.00           | 56Z   | SV2104L      | Auto      | Open      | CCWLE    | 12.1     | New!   |
| 1~1/3                        | 1725/1140 | 2      | 115         | 12.7/7.6       | 1.00           | 56Z   | SV2104V1L    | Auto      | Open      | CCWLE    | 12.1     | 1      |
| 1~1/3                        | 1725/1140 | 2      | 115         | 12.7/7.6       | 1.00           | 56Z   | SV2104V1L1   | Auto      | Open      | REV      | 12.1     | New!   |
| 1~1/3                        | 1725/1140 | 2      | 230         | 6.4/3.9        | 1.00           | 56Z   | SV2104HL     | Auto      | Open      | CCWLE    | 12.1     | New!   |
| 1~1/3                        | 1725/1140 | 2      | 230         | 6.4/3.9        | 1.00           | 56Z   | SV2104HV2    | Auto      | Open      | REV      | 12.1     | New!   |
| 1 1/2                        | 1725      | 1      | 115/230     | 15.0/7.5       | 1.00           | 56Z   | V1154B       | Auto      | ODP       | REV      | 13.8     | 81,354 |
| 2                            | 1725      | 1      | 115/230     | 18.0/9.0       | 1.15           | 56Z   | V1204B       | Auto      | ODP       | REV      | 14.3     | 81,354 |

#### Notes:

\*7-1/2" ring to ring dimension

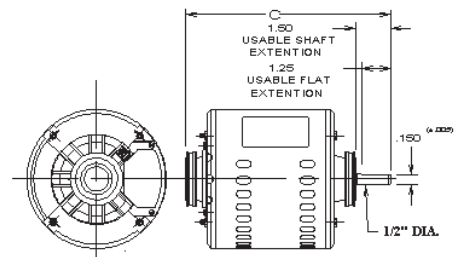
1. Item to be discontinued when stock is depleted
81. Includes base

261. 9 leads

262. 56Z = 1/2" flat X 1.62 shaft, with 56 FR. base

330. 56Z = 1/2" shaft with flat, 1.62" long

354. 56Z = 7/8" diameter keyed shaft, 2-1/4" long



## 48 & 56 Frame Special Purpose Motors

### E-Plus® Belted or Direct Drive Motors

#### Features:

- Ball Bearing
- Bearings lubricated with Beacon 325 low temperature grease
- Capacitor Start/Capacitor Run
- Energy Efficient
- Class B Insulation
- Resilient Base
- Dripproof
- High Efficiency
- Reversible
- 50°C Ambient
- 60 Hz



| HP  | RPM  | Volts       | Full Load Amps | Frame | Stock Number | Overload Protector | Service Factor | “C” Dim  |
|-----|------|-------------|----------------|-------|--------------|--------------------|----------------|----------|
| 1/2 | 1725 | 115/208-230 | 5.2/2.8-2.6    | 56Z   | C585         | Auto               | 1.25           | 10.69,\$ |
| 3/4 | 1725 | 208-230/115 | 4.2-4.0/8.0    | 56    | C586         | Auto               | 1.25           | 11.44,\$ |

## Outdoor Duty Transformer Cooling Fan Motors

#### Features:

- Auto Protector
- Class B Insulation
- Double Sealed Ball Bearing
- Enclosed Air-Over
- Extended Thru-Bolts
- Keyed Shaft
- Permanent Split Capacitor
- Reversible
- Rigid Base
- Single Phase
- Weatherproof Construction
- 40°C Ambient
- 60/50 Hz
- 1.0 Service Factor

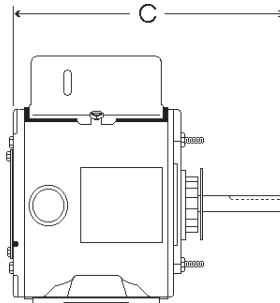


**Applications:** Designed specifically to meet the requirements of outdoor power transformer cooling applications.

| HP  | RPM  | Volts       | Frame | Full Load Amps | Stock Number | Shaft & Length | “C” Dim. | Notes       |
|-----|------|-------------|-------|----------------|--------------|----------------|----------|-------------|
| 1/6 | 1140 | 208-230     | 48Y   | 0.9            | C720A        | 5/8" x 3"      | 9.6      | 6           |
| 1/4 | 1725 | 208-230     | 48Y   | 1.2/1.4        | C721A        | 5/8" x 2-1/2"  | 9.4      | 6           |
| 1/4 | 1140 | 208-230     | 48Y   | 1.3            | C722A        | 5/8" x 3"      | 9.0      | 6           |
| 1/3 | 1140 | 208-230     | 48Y   | 1.4            | C723A        | 5/8" x 3"      | 9.2      |             |
| 1/3 | 1075 | 115/200-230 | 48Y   | 6.4/3.6-3.1    | C723V1A      | 1/2" x 2-1/2"  | 9.2      | 101,260,346 |
| 1/2 | 1725 | 208-230     | 48Y   | 2.5            | C724A        | 5/8" x 3"      | 10.1     | 6           |

#### Notes:

- 6. 60/50 HZ
- 101. 1.50 service factor
- 260. 56Z - 1/2" flatted shaft
- 346. 65 degree C ambient



# 48 & 56 Frame Special Purpose Motors

## Pedestal Fan Motors

### Features:

- Class B Insulation
- Continuous Duty
- Service Factor 1.0
- Permanent Split Capacitor and Split Phase Designs
- Thermally Protected
- Yoke Mount
- 40°C Ambient
- 60 Hz



Totally Enclosed  
486, 486A, 647A, 648A,  
9451A, 9452A,  
Open D.P.: 914, 914L, 915L,  
969A, 970A (Schaefer)

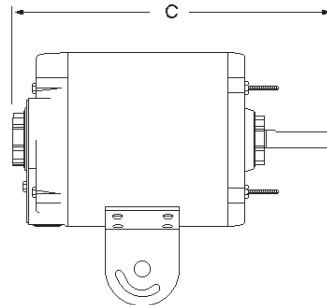


Totally Enclosed  
YA2020, YA2030,  
YA2054

| HP  | RPM       | Speeds | Volts   | Full Load Amps | Frame | Stock Number | Bearings | Enclosure | Shaft Dia. & Length | Rotation | "C" Dim. | Notes       |
|-----|-----------|--------|---------|----------------|-------|--------------|----------|-----------|---------------------|----------|----------|-------------|
| 1/4 | 1100      | 2      | 115     | 3.2            | 48Y   | 486A         | Ball     | Enclosed  | 1/2" x 3"           | REV      | 10.4     | 29,86       |
| 1/4 | 1725      | 1      | 115     | 4.2            | 48YZ  | YA2020       | Sleeve   | TEAO      | 1/2" x 2"           | REV      | 9.8      | 39,314      |
| 1/4 | 1725      | 1      | 115/230 | 3.6/1.8        | 48Y   | 9451A        | Ball     | Enclosed  | 1/2" x 3-1/4"       | CCWLE    | 9.3      |             |
| 1/4 | 1725      | 1      | 115     | 5.1            | 48    | 914L         | Sleeve   | ODP       | 1/2" x 2"           | REV      | 9.9      |             |
| 1/3 | 1100      | 2      | 115     | 4.7            | 48Y   | 647A         | Ball     | Enclosed  | 1/2" x 3"           | REV      | 9.9      | 26,86       |
| 1/3 | 1725      | 1      | 115     | 6.0            | 48YZ  | YA2030       | Sleeve   | Enclosed  | 1/2" x 2"           | REV      | 10.3     | 39,314      |
| 1/3 | 1725/1425 | 2      | 115/230 | 3.0/1.5        | 48Y   | 970A         | Ball     | Enclosed  | 1/2" x 2-1/2"       | CCWLE    | 8.9      | 3,6         |
| 1/2 | 1100      | 1      | 115     | 6.1            | 48Y   | 648A         | Ball     | Enclosed  | 5/8" x 3"           | REV      | 10.9     | 86          |
| 1/2 | 1725      | 1      | 115/230 | 4.5/2.3        | 48Y   | 9452A        | Ball     | Enclosed  | 5/8" x 2-1/2"       | CCWLE    | 10.2     |             |
| 1/2 | 1725      | 1      | 115     | 6.9            | 48    | 915L         | Sleeve   | ODP       | 5/8" x 2"           | REV      | 10.3     | <b>New!</b> |
| 1/2 | 1725      | 1      | 115     | 5.0            | 48YZ  | YA2054       | Sleeve   | Enclosed  | 5/8" x 2"           | REV      | 10.8     | 39,84       |
| 1/2 | 840       | 1      | 115/230 | 6.1/3.1        | 48Y   | 969A         | Ball     | Enclosed  | 5/8" x 2-5/8"       | CCWLE    | 11.0     | 3           |

### Notes:

3. Special OEM Replacement Motor (see pages 94-132)
6. 60/50 HZ
26. Extended thru bolts – shaft end only
29. 60 Degree C Ambient
39. Gasketed conduit box
84. Energy Efficient split phase start capacitor run with mounted capacitor
86. Cord and plug with pull chain
314. 1" extended thru bolts



# 48 & 56 Frame Special Purpose Motors

## Nesbitt Replacement Motors Century® AC Motors

### Features:

- Cushion Base
- Permanent Split Capacitor
- Service Factor 1.0
- 40°C Ambient
- 60 Hz
- 8 Pole



### Applications:

Direct replacement for ITT Nesbitt HVAC wall units found in schools, hotels, hospitals and ceiling units located in auditoriums and gymnasiums.

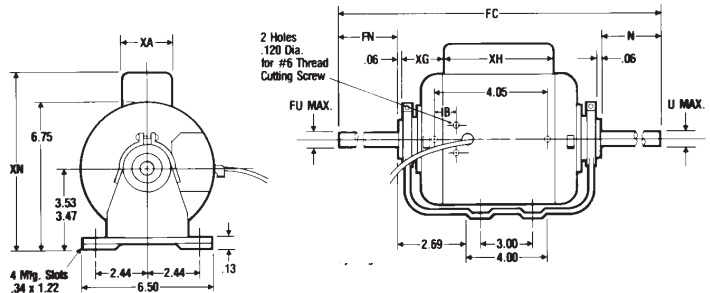
| HP   | RPM | Speeds | Volts | Full Load Amps | Frame | Stock Number | Bearings | Enclosure | Shaft Dia. & Length   | Insul. Class | Protector | Rotation |
|------|-----|--------|-------|----------------|-------|--------------|----------|-----------|-----------------------|--------------|-----------|----------|
| 1/12 | 715 | 1      | 115   | 2.0            | 56Z   | C031         | Ball     | TEAO      | 16-5/8 x 3/4 x 16-5/8 | B            | None      | REV      |
| 1/8  | 850 | 3      | 115   | 1.5            | 48Y   | C032A        | Sleeve   | OAO       | 6-1/2 x 1/2 x 6-1/2   | B            | Auto      | CWLE     |
| 1/6  | 800 | 1      | 230   | 1.6            | 56Z   | C035         | Ball     | TEAO      | 20-3/4 x 3/4 x 20-1/2 | B            | Auto      | CWLE     |
| 1/6  | 800 | 1      | 115   | 3.0            | 56Z   | C034         | Ball     | TEAO      | 21-1/2 x 3/4 x 21-1/2 | A            | Auto      | CWLE     |
| 1/6  | 800 | 1      | 115   | 3.0            | 56    | C033         | Ball     | ODP       | 5/8 x 2               | A            | Auto      | REV      |
| 1/3  | 850 | 1      | 115   | 5.0            | 56Z   | C036         | Ball     | TEAO      | 23 x 3/4 x 23         | B            | Auto      | REV      |

## Nesbitt Replacement Motors

### Dimensions in inches

| Stock # | FC    | N     | FN    | U    | XA   | XG   | XH   | XN                | FU  |
|---------|-------|-------|-------|------|------|------|------|-------------------|-----|
| C031    | 41.50 | 16.69 | 16.68 | .75  | 2.34 | 1.74 | 4.64 | 8.10              | .75 |
| C032A   | 18.00 | 6.02  | 6.04  | .50  | —    | —    | —    | 4.32 <sup>1</sup> | .50 |
| C033    | 11.07 | 1.94  | —     | .625 | 2.34 | 2.56 | 4.64 | 4.60 <sup>1</sup> | —   |
| C034    | 51.26 | 21.59 | 21.57 | .75  | 2.34 | 1.74 | 4.64 | 4.60 <sup>1</sup> | .75 |
| C035    | 49.25 | 20.44 | 20.69 | .75  | 2.34 | 1.74 | 4.64 | 4.60 <sup>1</sup> | .75 |
| C036    | 55.01 | 22.94 | 22.94 | .75  | 2.34 | 2.31 | 4.64 | 7.32 <sup>2</sup> | .75 |

- Notes: <sup>1</sup>Capacitor located at 3:00 o'clock  
<sup>2</sup>Capacitor located at 10:00 o'clock



## Convection and Pizza Oven Motors

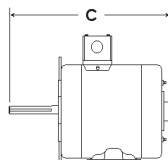
### Features:

- Automatic Reset Overload Protector
- Cushion Base and Special 8.75 Eared Bracket or Flange
- Direct Drive Open
- Double-Sealed Ball Bearings
- Reversible
- Split Phase
- Single and Two Speed
- 60°C Ambient
- 60 Hz



| HP               | RPM       | Speeds | Volts           | Full Load Amps  | Service Factor | Frame | Stock Number | Enclosure | Base/ Mounting            | Insul. Class | "C" Dim | Notes     |
|------------------|-----------|--------|-----------------|-----------------|----------------|-------|--------------|-----------|---------------------------|--------------|---------|-----------|
| <b>Speed</b>     |           |        |                 |                 |                |       |              |           |                           |              |         |           |
| 1/3              | 1725/1425 | 1      | 100-115/200-230 | 5.0-5.2/2.5-2.6 | 1.35           | 56Z   | F267         | Open      | Cushion Base              | B            | 14.1    | 6,253,377 |
| 1/3              | 1725/1425 | 1      | 100-115/200-230 | 5.0-5.2/2.5-2.6 | 1.35           | 56Y   | F266         | ODP       | Eared Bkt./Removable Base | B            | 11.6    | 6,377     |
| 1/2              | 1725      | 1      | 100-115/200-230 | 6.2-6.6/3.1-3.3 | 1.00           | 56Y   | F260         | Open      | Special Flange            | B            | 10.8    | 377       |
| 1/2              | 1725      | 1      | 100-115/200-230 | 6.2-6.6/3.1-3.3 | 1.00           | 56Y   | F268         | Open      | Eared Bkt.                | B            | 10.6    | 377       |
| 3/4              | 1725      | 1      | 115/230         | 9.6/4.8         | 1.00           | 56Y   | F261         | Open      | Special Flange            | B            | 11.1    | 377       |
| 3/4              | 1725      | 1      | 115/230         | 9.6/4.8         | 1.00           | 56Y   | F269         | ODP       | Eared Bkt.                | B            | 10.9    | 377       |
| <b>Two Speed</b> |           |        |                 |                 |                |       |              |           |                           |              |         |           |
| 1/3~.09          | 1725/1140 | 2-2-VT | 100-115         | 6.2-6.0/3.0-2.8 | 1.35           | 56Y   | F264         | ODP       | Eared Bkt./Removable Base | B            | 12.3    | 6,377     |
| 1/3~.09          | 1725/1140 | 2-2-VT | 200-230         | 2.8-2.9/1.3-1.4 | 1.35           | 56Y   | F265         | ODP       | Eared Bkt./Removable Base | B            | 12.3    | 6,377     |

- Notes:  
 6. 60/50 Hertz  
 253. 5/8" Dia keyed and flatted shaft, 6" long  
 377. Proofing switch included



**Applications:** Domestic high and low pressure oil burners and other applications where 48M and 48N flange mounting is required. This line of motors includes open (enclosed except for shaft end bracket) and totally enclosed designs to meet all requirements. All mounting dimensions such as location of ears, diameter of rabbet fit and shaft size are in accordance with NEMA standards. Most of the normally stocked replacement ratings feature the **external reversing switch** for ease of use in those tight, dark and dirty locations. All ratings include sleeve bearings for quiet operation and manual reset thermal overload protectors for safe, dependable use.



OBK6002V1



EL2004  
Reversible Switch Model  
Oil Burner Motor

## SPLIT PHASE, 60 HZ, ENCLOSED, MANUAL PROTECTOR, FACTORY CONNECTED FOR CW ROTATION

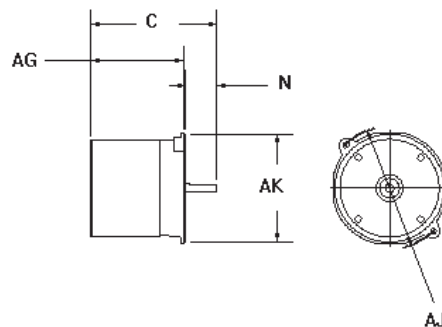
| HP  | RPM  | Volts       | Approx. F.L. Amps | Service Factor | Frame | Stock Number | Bearings | Rotation | Dim. Ref. | Notes           |
|-----|------|-------------|-------------------|----------------|-------|--------------|----------|----------|-----------|-----------------|
| 1/8 | 1725 | 115         | 2.5               | 1.0            | 48N   | EL2005       | Sleeve   | REV      | 1         | 217,292         |
| 1/8 | 1725 | 115         | 2.5               | 1.0            | 48N   | EL2004V1     | Sleeve   | REV      | 1         | 156,216,217,292 |
| 1/8 | 3450 | 115         | 2.8               | 1.0            | 48N   | OL2002       | Sleeve   | REV      | 11        | 1,156,216,292   |
| 1/7 | 3450 | 115         | 2.5               | 1.0            | 48M   | EL2002       | Sleeve   | REV      | 2         | 216,217,299     |
| 1/7 | 3450 | 115         | 2.5               | 1.0            | 48M   | EL2002V1     | Sleeve   | CCWOSE   | 2         | 156,292         |
| 1/7 | 3450 | 115         | 1.8               | 1.0            | 48M   | OBK6002V1    | Ball     | CWOSE    | 7         | 70,156,227,369  |
| 1/6 | 1725 | 115         | 3.2               | 1.0            | 48N   | XEL2014      | Sleeve   | REV      | 3         | 217,292         |
| 1/6 | 1725 | 115         | 3.2               | 1.0            | 48N   | EL2014V1     | Sleeve   | REV      | 3         | 156,216,217,292 |
| 1/6 | 3450 | 115         | 2.7               | 1.0            | 48M   | EL2012       | Sleeve   | REV      | 5         | 216,292         |
| 1/4 | 1725 | 115         | 3.7               | 1.0            | 48N   | EL2024       | Sleeve   | REV      | 4         | 216,292         |
| 1/4 | 3450 | 115         | 3.4               | 1.0            | 48N   | EL2022       | Sleeve   | REV      | 4         | 156,292         |
| 1/3 | 1725 | 115         | 4.3               | 1.0            | 48N   | OL2034       | Sleeve   | REV      | 4         | 156,292         |
| 1/3 | 1725 | 115         | 4.3               | 1.0            | 48N   | EL2034       | Sleeve   | REV      | 8         | 55              |
| 1/3 | 3450 | 115/230     | 4.2/2.1           | 1.0            | 48N   | OL2032       | Sleeve   | REV      | 4         | 156,289         |
| 1/3 | 3450 | 115/230     | 5.2/12.6          | 1.35           | 48N   | OL1032D      | Sleeve   | REV      | 10        | 45,55,156       |
| 1/2 | 3450 | 115/230     | 6.2/3.1           | 1.0            | 48N   | OL2052D      | Sleeve   | REV      | 4         | 6,156,289       |
| 1/2 | 3450 | 115/230     | 7.3/3.7           | 1.25           | 48N   | OL1052DS     | Sleeve   | REV      | 9         | 45,55,159       |
| 3/4 | 3450 | 115/208-230 | 10.0/5.0          | 1.0            | 48CZ  | OL1072D      | Ball     | REV      | 6         | 45,55,157,271   |

**Notes:**

- 1. Item to be discontinued when stock is depleted
- 6. 60/50 HZ
- 45. Capacitor start
- 55. Terminal board
- 156. Open shaft end bracket
- 157. Open construction
- 159. Open dripproof
- 216. Equipped with rotation switch for easy reversibility
- 217. Equipped with provisions for mounting 4" x 4" conduit box
- 227. Direct replacement for Beckett 21805U
- 271. 5/8" keyed shaft
- 289. 12-1/4" leads
- 292. 20" leads
- 299. 15" leads

### Approximate Dimensions

| Ref. | C     | AG    | N    | AK   | AJ   |
|------|-------|-------|------|------|------|
| 1    | 7.16  | 5.22  | 1.82 | 6.37 | 7.25 |
| 2    | 7.41  | 5.47  | 1.82 | 5.50 | 6.75 |
| 3    | 7.66  | 5.72  | 1.82 | 6.37 | 7.25 |
| 4    | 8.66  | 6.72  | 1.82 | 6.37 | 7.25 |
| 5    | 7.91  | 5.97  | 1.82 | 5.50 | 6.75 |
| 6    | 10.81 | 8.75  | 2.06 | -    | 5.88 |
| 7    | 6.71  | 4.59  | 1.82 | 5.50 | 6.75 |
| 8    | 11.22 | 9.22  | 1.88 | 6.37 | 7.25 |
| 9    | 12.41 | 10.41 | 1.88 | 6.37 | 7.25 |
| 10   | 11.91 | 9.91  | 1.88 | 6.37 | 7.25 |
| 11   | 7.93  | 5.93  | 1.88 | 6.37 | 7.25 |



### OIL BURNER MOTOR FLANGE DIMENSIONS

| NEMA Frame | Bolt Circle AJ | Rabbit Dia. AK |
|------------|----------------|----------------|
| 48M        | 6-3/4"         | 5-1/2"         |
| 48N        | 7-1/4"         | 6-3/8"         |



# Century® and Universal Electric® Hot Water Circulator Pump Motors

## Features:

- Bell and Gosset, S.A. Armstrong, Taco, Replacement Motors
- Open Dripproof
- Single-Phase
- Special Red Paint
- 60 Hz
- Sleeve Bearing except as noted (Note 2)
- Auto Protector



**Applications:** Replacement motors to be used on hot water pumps. For use with adjustable base.

## Single-Phase - 1800 RPM - Cushion Rings - Dripproof

| HP    | RPM  | Volts   | Amps     | Service Factor | Frame | Stock Number | Type | R Hub-Hub | Shaft Dia. & Length | Rotation | Cross Reference | Notes   |
|-------|------|---------|----------|----------------|-------|--------------|------|-----------|---------------------|----------|-----------------|---------|
| 1/12  | 1725 | 115     | 2.5      | 1.75           | 48YZ  | HW20084L     | 1    | 7.63      | 1/2" x 1/2" flat    | CCWLE    | 4UB99           | 339,340 |
| 1/12  | 1725 | 115     | 2.9      | 1.00           | 48    | OTA2004      | 1    | 6.13      | 1/2" x 7/8" flat    | REV      |                 | 338     |
| 1/8   | 1725 | 115     | 3.0      | 1.40           | 48Z   | HW2004L      | 1    | 7.00      | 1/2" x 1-1/2" flat  | CCW      |                 | New!    |
| 1/6   | 1725 | 115     | 3.4      | 1.35           | 48Z   | HW2014L      | 1    | 7.63      | 1/2" x 5/8" flat    | CCW      |                 | New!    |
| 1/6   | 1725 | 115     | 3.4      | 1.35           | 48Z   | HW2014V1L    | 1    | 7.94      | 1/2" x 5/8" flat    | CW       |                 | New!    |
| 1/2   | 1725 | 115/230 | 7.2/3.6  | 1.25           | 56Y   | C240         | 1    | 8.94      | 5/8" x 1-7/8" flat  | RCW      |                 | 338     |
| 1/2   | 1725 | 115/230 | 7.2/3.6  | 1.25           | 56Y   | C242         | 1    | 9.75      | 5/8" x 1-3/8" flat  | RCW      |                 | 339     |
| 1/2   | 1725 | 115/230 | 9.6/4.8  | 1.25           | 56Y   | C241         | 1    | 8.98      | 5/8" x 1-1/8" flat  | CWLE     | 3K519           | 340     |
| 3/4   | 1725 | 115/230 | 11.8/5.9 | 1.25           | 56Y   | C243         | 1    | 8.98      | 5/8" x 1-1/8" flat  | CWLE     | 3K522           | 340     |
| 3/4   | 1725 | 115/230 | 10.4/5.2 | 1.30           | 56Y   | C233         | 1    | 9.75      | 5/8" x 1-3/8" flat  | RCW      |                 | 339     |
| 3/4   | 1725 | 115/230 | 10.4/5.2 | 1.30           | 56Y   | C244         | 1    | 9.43      | 5/8" x 1-7/8" flat  | RCW      |                 | 338     |
| 1     | 1725 | 230/115 | 6.5/13.0 | 1.25           | 56Y   | C247         | 1    | 9.62      | 5/8" x 1-7/8" flat  | RCW      |                 | 338     |
| 1     | 1725 | 230/115 | 6.5/13.0 | 1.25           | 56Y   | C245         | 1    | 9.75      | 5/8" x 1-3/8" flat  | RCW      |                 | 339     |
| 1     | 1725 | 230/115 | 6.5/13.0 | 1.25           | 56Y   | C246         | 1    | 9.38      | 5/8" x 1-1/8" flat  | RCW      |                 | 340     |
| 1 1/2 | 1725 | 230/115 | 7.5/15.0 | 1.20           | 56Y   | C248         | 1    | 10.20     | 5/8" x 1-7/8" flat  | RCC      |                 | 2,338   |

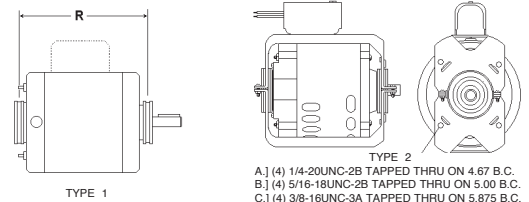


## Single-Phase - 1800 RPM - Base Included - Dripproof

| HP   | RPM  | Volts       | Amps        | Service Factor | Frame | Stock Number | Type | Bearings | Shaft Dia. & Length   | Rotation | Cross Reference | Notes      |
|------|------|-------------|-------------|----------------|-------|--------------|------|----------|-----------------------|----------|-----------------|------------|
| 1/12 | 1725 | 115         | 2.5         | 1.00           | 48Y   | 939L         | 2A   | Sleeve   | 1/2" x 3/4" set screw | CCWLE    | 3K515           | 340        |
| 1/12 | 1725 | 115         | 2.8         | 1.00           | 48YZ  | HW20084BL    | 2A   | Sleeve   | 1/2" x 3/4" set screw | CCWLE    | 4UE10           | 339,340    |
| 1/8  | 1725 | 115         | 3.1         | 1.00           | 48Y   | OBG2004      | 2A   | Sleeve   | 1/2" x 5/8" set screw | REV      | 4UE22           | 43,120,340 |
| 1/6  | 1725 | 115         | 4.1         | 1.75           | 48Z   | HW2014BL     | 2B   | Sleeve   | 1/2" x 3/4" set screw | CCW      |                 | New!       |
| 1/6  | 1725 | 115         | 4.1         | 1.75           | 48Z   | HW2014B1L    | 2A   | Sleeve   | 1/2" x 3/4" set screw | CCW      | 5ELL8           | New!       |
| 1/6  | 1725 | 115         | 2.9         | 1.00           | 48Y   | 941L         | 2A   | Sleeve   | 1/2" x 3/4" set screw | CCWLE    | 3K520           | 340        |
| 1/4  | 1725 | 115         | 4.6         | 1.25           | 48    | HW2024BL     | 2C   | Ball     | 1/2" x 1/2" set screw | CW       |                 | 2, New!    |
| 1/4  | 1725 | 115         | 3.6         | 1.75           | 48Z   | HW2024B1L    | 2B   | Sleeve   | 1/2" x 3/4" set screw | CCW      |                 | New!       |
| 1/3  | 1725 | 115         | 5.7         | 1.30           | 48Z   | HW2034BL     | 2C   | Ball     | 1/2" x 1/2" set screw | CW       |                 | 2, New!    |
| 1/2  | 1725 | 115/208-230 | 5.8/2.8-2.9 | 1.50           | 56YZ  | C249         | 2C   | Sleeve   | 5/8" x 1-1/8" keyed   | CCW      | 4UE16           | 339,340    |
| 3/4  | 1725 | 115/208-230 | 8.4/4.2-4.2 | 1.50           | 56YZ  | C250         | 2C   | Sleeve   | 5/8" x 1-1/8" keyed   | CCW      | 4UE18           | 339,340    |

## Notes:

- 2. Ball bearing
- 43. Class A insulation
- 120. Suitable replacement for 1/12 HP and 1/10 HP
- 338. Taco replacement
- 339. Armstrong replacement
- 340. Bell & Gosset replacement



# Century® and Universal Electric® Hot Water Circulator Pump Motors

## Features:

- Cushion Ring, No Base and C-Face
- Bell and Gosset, S.A. Armstrong, Taco, Replacement Motors
- Open Dripproof
- Three-Phase
- Special Red Paint
- 60 Hz
- No Protector
- Insulation Class B, except as noted (Note 87)
- Reversible



H988  
H988L



H982, H982V1  
H983, H983V1  
H984, H984L  
H985L, H946L  
H947L,  
H986, H986L  
H987, H987L

**Applications:** Replacement motor to be used on hot water pumps. For use with adjustable base.

## Three-Phase - 1800 RPM - No Base - Cushion Rings - Dripproof - Keyed Shaft

| HP    | RPM       | Volts       | Amps        | Service Factor | Frame | Stock Number | Type | R Hub-Hub | Bearings | Shaft Dia. & Length | Cross Reference | Notes      |
|-------|-----------|-------------|-------------|----------------|-------|--------------|------|-----------|----------|---------------------|-----------------|------------|
| 3/4   | 1725      | 208-230/460 | 2.5-2.6/1.3 | 1.30           | 56Y   | H982         | 1    | 9.43      | Sleeve   | 5/8" x 1-7/8"       |                 | 1, 338     |
| 3/4   | 1725      | 208-230/460 | 2.7-2.8/1.4 | 1.30           | 56Y   | H982V1       | 1    | 9.80      | Sleeve   | 5/8" x 1-7/8"       |                 | New!       |
| 3/4   | 1725      | 208-230/460 | 2.5-2.6/1.3 | 1.25           | 56Y   | H983         | 1    | 8.87      | Sleeve   | 5/8" x 1-1/8"       | 3N824           | 1, 339,340 |
| 3/4   | 1725      | 208-230/460 | 2.7-2.8/1.4 | 1.25           | 56Y   | H983V1       | 1    | 9.30      | Sleeve   | 5/8" x 1-1/8"       |                 | New!       |
| 1     | 1725      | 208-230/460 | 3.4-3.4/1.7 | 1.25           | 56Y   | H984         | 1    | 9.82      | Sleeve   | 5/8" x 1-3/8"       |                 | 1, 339     |
| 1     | 1725      | 208-230/460 | 3.4-3.4/1.7 | 1.25           | 56Y   | H984L        | 1    | 10.30     | Sleeve   | 5/8" x 1-3/8"       |                 | New!       |
| 1     | 1725      | 208-230/460 | 3.4-3.4/1.7 | 1.25           | 56Y   | H985L        | 1    | 9.76      | Sleeve   | 5/8" x 1-1/8"       |                 | New!       |
| 1     | 1725/1425 | 208-230/460 | 3.7-3.6/1.8 | 1.25           | 56    | H946L        | 1    | 9.75      | Sleeve   | 5/8" x 1-7/8"       |                 | 6, New!    |
| 1     | 1725      | 575         | 1.4         | 1.25           | 56Y   | H947L        | 1    | 9.75      | Sleeve   | 5/8" x 1-7/8"       |                 | New!       |
| 1 1/2 | 1725      | 208-230/460 | 4.8-5.0/2.5 | 1.15           | 56Y   | H986         | 1    | 9.62      | Sleeve   | 5/8" x 1-3/8"       | 3N826           | 1,339,340  |
| 1 1/2 | 1725      | 208-230/460 | 5.3-5.6/2.8 | 1.15           | 56Y   | H986L        | 1    | 10.00     | Sleeve   | 5/8" x 1-3/8"       |                 | New!       |
| 2     | 1725      | 208-230/460 | 6.3-6.4/3.2 | 1.15           | 56Y   | H987         | 1    | 9.71      | Ball     | 5/8" x 1-7/8"       |                 | 1,338      |
| 2     | 1725      | 208-230/460 | 6.3-6.4/3.2 | 1.15           | 56Y   | H987L        | 1    | 10.26     | Ball     | 5/8" x 1-7/8"       |                 | New!       |
| 3     | 1725      | 460/208-230 | 4.4/9.0-8.8 | 1.15           | 56Y   | H988         | 1    | 12.25     | Ball     | 7/8" x 2-1/4"       |                 | 87         |
| 3     | 1725      | 460/208-230 | 4.4/9.0-8.8 | 1.15           | 56Y   | H988L        | 1    | 12.25     | Ball     | 7/8" x 2-1/4"       |                 | 87, New!   |



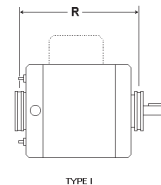
H1041L, H1046,  
H1046L, H1042L  
H1047L, H1043  
H1043L, H1048L  
H1044, H1044L  
H1049, H1049V1

## Three-Phase - 1800 RPM - C-Face - Dripproof

| HP    | RPM  | Volts       | Frame | Service Factor | Stock Number | Type | Bearings | Overload Protector | Rotation | Cross Reference | Notes     |
|-------|------|-------------|-------|----------------|--------------|------|----------|--------------------|----------|-----------------|-----------|
| 1/2   | 1725 | 208-230/460 | 56CZ  | 1.50           | H1041L       | 3    | Ball     | None               | RCC      | 4UE17           | New!      |
| 1/2   | 1725 | 575         | 56CZ  | 1.25           | H1046        | 3    | Ball     | None               | RCC      |                 | 1,339,340 |
| 1/2   | 1725 | 575         | 56CZ  | 1.25           | H1046L       | 3    | Ball     | None               | RCC      |                 | New!      |
| 3/4   | 1725 | 208-230/460 | 56CZ  | 1.50           | H1042L       | 3    | Ball     | None               | RCC      |                 | New!      |
| 3/4   | 1725 | 575         | 56CZ  | 1.25           | H1047L       | 3    | Ball     | None               | RCC      |                 | New!      |
| 1     | 1725 | 208-230/460 | 56CZ  | 1.40           | H1043        | 3    | Ball     | None               | RCC      | 4UE20           | 1,339,340 |
| 1     | 1725 | 208-230/460 | 56CZ  | 1.40           | H1043L       | 3    | Ball     | None               | RCC      |                 | New!      |
| 1     | 1725 | 575         | 56CZ  | 1.25           | H1048L       | 3    | Ball     | None               | RCC      |                 | New!      |
| 1 1/2 | 1725 | 208-230/460 | 56CZ  | 1.35           | H1044        | 3    | Ball     | None               | RCC      | 4UE21           | 1,339,340 |
| 1 1/2 | 1725 | 208-230/460 | 56CZ  | 1.35           | H1044L       | 3    | Ball     | None               |          |                 | New!      |
| 1 1/2 | 1725 | 575         | 56CZ  | 1.35           | H1049        | 3    | Ball     | None               | RCC      |                 | 1,339,340 |
| 1 1/2 | 1725 | 575         | 56CZ  | 1.35           | H1049V1      | 3    | Ball     | None               | RCC      |                 | New!      |

## Notes:

1. Item to be discontinued when stock is depleted
6. 60/50 HZ
87. Class F insulation
338. Taco replacement
339. Armstrong replacement
340. Bell & Gosset replacement



TYPE 1



TYPE 3

# O.E.M. - Direct Replacement

## Aaon



OAN1076, OAN1076V1



OAN010,  
OAN460,  
OAN470



OAN747,  
OAN140

| HP  | RPM      | Speeds | Volts       | Amps    | Stock Number     | Rotation | Capacitor    | Shaft Dia. & Length | Motor Dia. | "A" Dim. | Cross Reference | Notes  |
|-----|----------|--------|-------------|---------|------------------|----------|--------------|---------------------|------------|----------|-----------------|--------|
| 1/4 | 3200     | 1      | 460/380-415 | 0.9     | <b>OAN470</b>    | CCWLE    | 5MFD/370V    | 3-1/4" x 1/2"       | 5-5/8"     | 5.49     | F48S08A27       | 2,NEW! |
| 1/3 | 1100     | 1      | 460         | 1.0     | <b>OAN010</b>    | CCWLE    | 7.5MFD/370V  | 3-1/4" x 1/2"       | 5-5/8"     | 4.74     | F48A11A27C      | 2,NEW! |
| 3/4 | 1075     | 1      | 208-230     | 5.4     | <b>OAN460</b>    | CCWLE    | 15MFD/370V   | 3" x 1/2"           | 5-5/8"     | 7.36     | F48K44A27C      | 2,NEW! |
| 3/4 | 1075     | 1      | 460         | 2.0     | <b>OAN747</b>    | CCWLE    | 15MFD/370V   | 3-1/4" x 1/2"       | 5-5/8"     | 7.11     | F48U09A27       | 2,NEW! |
| 3/4 | 1075     | 1      | 460         | 2.75    | <b>OAN140</b>    | CCWLE    | 12.5MFD/370V | 4" x 1/2"           | 5-5/8"     | 6.36     | F48R38A27C      | 2,NEW! |
| 3/4 | 1075     | 1      | 460         | 2.6     | <b>OAN1076</b>   | CCWLE    | 12.5MFD/370V | 4" x 1/2"           | 5-5/8"     | 6"       | F48F37A27       | 2      |
|     |          |        |             |         |                  |          |              |                     |            |          | F48SP6V9, 1464  |        |
| 3/4 | 1075~920 | 1      | 460/380-415 | 2.8/1.8 | <b>OAN1076V1</b> | CCWLE    | 12.5MFD/370V | 2-7/8" x 1/2"       | 5-5/8"     | 7-3/8"   | F48K04A27       | 2,6    |

## Acme Engineering



599

| HP             | RPM  | Speeds | Volts | Amps        | Stock Number | Rotation | Capacitor   | Shaft Dia. & Length | Motor Dia. | "A" Dim. | Cross Reference | Notes |
|----------------|------|--------|-------|-------------|--------------|----------|-------------|---------------------|------------|----------|-----------------|-------|
| 1/10~1/20~1/30 | 1550 | 3      | 115   | 3.0-1.7-1.0 | <b>599</b>   | CWLE     | Shaded Pole | 1/2 x 2-5/8         | 5"         | 3-3/4    | FASCO D119      | 2     |

## Addison



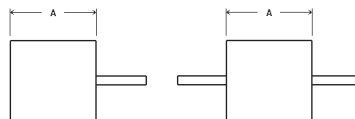
OAD1016



OAD1106

| HP      | RPM  | Speeds | Volts       | Amps    | Stock Number   | Rotation | Capacitor  | Shaft Dia. & Length | Motor Dia. | "A" Dim. | Cross Reference  | Notes |
|---------|------|--------|-------------|---------|----------------|----------|------------|---------------------|------------|----------|--|-------|
| 1/5-1/8 | 1075 | 2      | 230         | 1.5/0.8 | <b>OAD1016</b> | CCWLE    | 5MFD/370V  | 1/2" x 3-3/4"       | 5-5/8"     | 4-3/8"   | 1847-01-05<br>8101-193<br>8101-279<br>18471-01-05<br>19906-01-02<br>F54CKY-1379<br>F55BWM-1119<br>F55CDR-1259<br>F55CSH-1352<br>K55EBC-2608<br>K55ERC-3004<br>8537 |       |
| 1       | 1075 | 1      | 208-230/460 | 6.2/3.1 | <b>OAD1106</b> | CCWLE    | 15MFD/370V | 5/8" x 3-1/2"       | 5-5/8"     | 6-1/8"   | 811N-0064A<br>F48F07B65  | 2     |

Notes:  
2. Ball bearing  
6. 60/50 HZ



## Amana



OAM10088,  
OAM1018

| HP   | RPM | Speeds | Volts   | Amps    | Stock Number | Rotation | Capacitor | Shaft Dia. & Length | Motor Dia. | "A" Dim. | Cross Reference     | Notes |
|------|-----|--------|---------|---------|--------------|----------|-----------|---------------------|------------|----------|---------------------|-------|
| 1/12 | 825 | 1      | 208-230 | .5-.6   | OAM10088     | CWLE     | 5MFD/370V | 1/2" X 2-1/4"       | 5-5/8"     | 3-7/8"   | 1871<br>K55BGZ-6813 |       |
| 1/6  | 825 | 1      | 208-230 | 1.0-1.1 | OAM1018      | CWLE     | 5MFD/370V | 1/2" X 2"           | 5-5/8"     | 4-3/8"   | 1873<br>K55BGW-6814 |       |

## American Air Filter



0547A, 9618A

| HP  | RPM  | Speeds | Volts | Amps | Stock Number | Rotation | Capacitor | Shaft Dia. & Length | Motor Dia. | "A" Dim. | Cross Reference                       | Notes           |
|-----|------|--------|-------|------|--------------|----------|-----------|---------------------|------------|----------|---------------------------------------|-----------------|
| 1/8 | 700  | 1      | 115   | 2.1  | 0547A        | CWLE     | Included  | 1/2 x 2-1/8         | 5-5/8"     | 6"       | GE 3134<br>150444                     | 2,4             |
| 1/4 | 1075 | 1      | 115   | 3.0  | 9618A        | CWLE     | Included  | 1/2 x 2-1/8         | 5-5/8"     | 5"       | UE HE3L125<br>CE 168354<br>FASCO B880 | 2,4 <b>New!</b> |

## American Standard

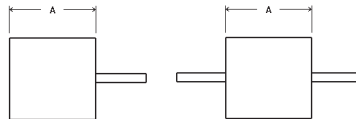


OAS40056

| HP  | RPM  | Speeds | Volts | Amps | Stock Number | Rotation | Capacitor | Shaft Dia. & Length | Motor Dia. | "A" Dim. | Cross Reference                        | Notes |
|-----|------|--------|-------|------|--------------|----------|-----------|---------------------|------------|----------|--|-------|
| 1/3 | 1075 | 1      | 230   | 3.4  | OAS40056     | CCWLE    | Included  | 1/2" x 3-3/4"       | 5-5/8"     | 4-5/8"   | 3114<br>5KCP39HG3692S<br>5KCP39HG7728S |       |

**Notes:**

- 2. Ball bearing
- 4. Supplied with lead and plug assembly



# O.E.M. - Direct Replacement

## Arcoaire



743A, 744A

| HP  | RPM  | Speeds | Volts   | Amps | Stock Number | Rotation | Capacitor | Shaft Dia. & Length | Motor Dia. | "A" Dim. | Cross Reference | Notes |
|-----|------|--------|---------|------|--------------|----------|-----------|---------------------|------------|----------|-----------------|-------|
| 1/6 | 825  | 1      | 208-230 | 1.0  | 743A         | CCWLE    | 5MFD-370V | 1/2" x 2-1/2"       | 5-5/8"     | 4-1/8"   | 24346302-03     |       |
| 1/3 | 1075 | 1      | 208-230 | 2.5  | 744A         | CCWLE    | 5MFD-370V | 1/2" x 2-3/4"       | 5-5/8"     | 4-1/2"   | 24346301        |       |

## Arkla



OKB1038, OKB1058

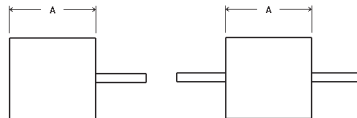


OKA1052, OKA1072

| HP  | RPM  | Speeds | Volts   | Amps    | Stock Number | Rotation | Capacitor    | Shaft Dia. & Length | Motor Dia. | "A" Dim. | Cross Reference  | Notes |
|-----|------|--------|---------|---------|--------------|----------|--------------|---------------------|------------|----------|--|-------|
| 1/3 | 825  | 1      | 115     | 4.8     | OKB1038      | CCWLE    | 5MFD/370V    | 1/2" x 2-9/16"      | 5-5/8"     | 5-7/16"  | B14506-393<br>B14506-363<br>F48SR8V1<br>F48SP8V3<br>K8042<br>2342<br>C729<br>3M824<br>D795 | 2     |
| 1/2 | 825  | 1      | 230     | 3.0     | OKB1058      | CCWLE    | 12.5MFD/370V | 1/2" x 2-3/4"       | 5-5/8"     | 5-3/8"   | B14506-396<br>B14506-354<br>F48SR8V3<br>F48SR8V7<br>F48ST8V1<br>K8075                      | 2     |
| 1/2 | 3450 | 1      | 115/230 | 7.2/3.6 | OKA1052      | Rev      | Cap Start    | 5/8" x 1-1/2"       | 5-5/8"     | 9"       | 14506-275  | 2,345 |
| 3/4 | 3450 | 1      | 115/230 | 9.6/4.8 | OKA1072      | Rev      | Cap. Start   | 5/8" x 1-1/2"       | 5-5/8"     | 9-1/2"   | 2650<br>14506-259<br>4K039   | 2,345 |

### Notes:

1. Item to be discontinued when stock is depleted
  2. Ball bearing
345. Rigid base - wall mount





## Arkla, Tappan & SJC



582

| HP   | RPM  | Speeds | Volts   | Amps     | Stock Number | Rotation | Capacitor   | Shaft Dia. & Length | Motor Dia. | "A" Dim. | Cross Reference               | Notes |
|------|------|--------|---------|----------|--------------|----------|-------------|---------------------|------------|----------|-------------------------------|-------|
| 1/40 | 3000 | 1      | 115/230 | 1.0/1.50 | 582          | CCWSE    | Shaded Pole | BLOWER              | 3-3/8"     | 2-1/2"   | JA1C113<br>JB1C040<br>JA1C039 |       |

## Bohn (see Heatcraft)

## Broan



632



633



OBR40066,  
OBR40086,  
OBR40016



634

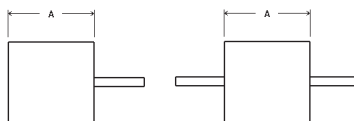


9649

| HP   | RPM  | Speeds | Volts | Amps | Stock Number | Rotation | Capacitor   | Shaft Dia. & Length  | Motor Dia. | "A" Dim. | Cross Reference  | Notes |
|------|------|--------|-------|------|--------------|----------|-------------|----------------------|------------|----------|--|-------|
| 1/50 | 1400 | 1      | 120   | .73  | 633          | CCWLE    | Shaded Pole | 5/16 x 1-5/16        | 3-3/8"     | 2-1/2"   | BROAN<br>99080274<br>99080273<br>UE JA2M373<br>JA2C396         |       |
| 1/45 | 1625 | 1      | 120   | 1.3  | 632          | CWLE     | Shaded Pole | 1/4 x 1-1/2          | 3-3/8"     | 2.0      | BROAN 99080345<br>UE JA2C229                                   |       |
| 1/15 | 950  | 1      | 115   | 3.0  | OBR40066     | CCWLE    | Shaded Pole | 1/2 x 3              | 5"         | 3-1/2"   | 99080238   |       |
| 1/15 | 1600 | 1      | 120   | 2.1  | 634          | CCWLE    | Shaded Pole | 2-1/2 x 5/16 x 2-1/2 | 3-3/8"     | 3-3/8"   | BROAN 99080359<br>UE JA2R268                                   |       |
| 1/12 | 1000 | 1      | 115   | 3.7  | OBR40086     | CCWLE    | Shaded Pole | 1/2 x 3              | 5"         | 3-1/2"   | 99080237   |       |
| 1/12 | 1050 | 1      | 115   | 2.9  | 9649         | CWSE     | Shaded Pole | 1/2" x 2-11/16"      | 5"         | 3-1/4"   | BROAN 99080178<br>FASCO D1087<br>FASCO 7151-3160<br>UE DA3E278 | 77    |
| 1/10 | 1100 | 1      | 115   | 3.72 | OBR40016     | CCWLE    | Shaded Pole | 1/2 x 2-11/16        | 5"         | 4"       | 99080239   |       |

**Notes:**

77. Molex terminal plug



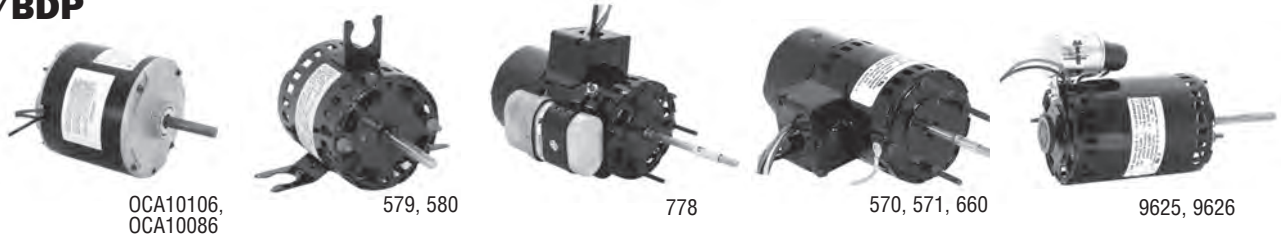
# O.E.M. - Direct Replacement

## Butler Ventilator



| HP   | RPM  | Speeds | Volts | Amps | Stock Number | Rotation | Capacitor   | Shaft Dia. & Length | Motor Dia. | "A" Dim. | Cross Reference               | Notes |
|------|------|--------|-------|------|--------------|----------|-------------|---------------------|------------|----------|-------------------------------|-------|
| 1/10 | 1050 | 1      | 115   | 3.4  | 9401         | CCWLE    | Shaded Pole | 1/2" x 2-3/4"       | 5"         | 3-1/4    | 846PY4V<br>D1066<br>7152-0081 |       |

## Carrier/BDP

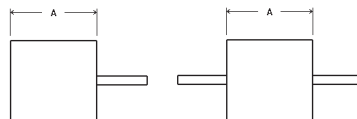


| HP   | RPM       | Speeds | Volts   | Amps    | Stock Number | Rotation | Capacitor   | Shaft Dia. & Length | Motor Dia. | "A" Dim. | Cross Reference                                       | Notes   |
|------|-----------|--------|---------|---------|--------------|----------|-------------|---------------------|------------|----------|---|---------|
| 1/20 | 3000      | 1      | 115/230 | 1.8/.92 | 570          | CCWLE    | Shaded Pole | 1/4" x 2-1/2"       | 3-3/8"     | 6"       | HC24AU600<br>HC24AU701                                | 2,18    |
| 1/20 | 3000      | 1      | 115/230 | 1.8/.92 | 571          | CWLE     | Shaded Pole | 1/4" x 2-1/2"       | 3-3/8"     | 6"       | HC24AU700<br>HC24AU710                                | 2,18    |
| 1/50 | 3300      | 1      | 115     | 1.4     | 579          | CCWLE    | Shaded Pole | 5/16" x 2-1/4"      | 3-3/8"     | 3-1/4"   | JA1M086   | 4,36    |
| 1/20 | 3300      | 1      | 115     | 1.8     | 580          | CCWLE    | Shaded Pole | 5/16" x 2-1/8"      | 3-3/8"     | 3-3/4"   | JA1P053   | 4,36    |
| 1/16 | 3450      | 1      | 208-230 | .41     | 778          | CCWLE    | Included    | 1/4" x 3-3/4"       | 3-3/8"     | 6"       | HC30GU208A<br>HC30GU209A<br>HC24AU231                 | 2,18    |
| 1/16 | 3450      | 1      | 460     | .25     | 9625         | CWLE     | Included    | 5/16" x 3-1/4"      | 3-3/8"     | 4-7/8"   | HC30GB460<br>HC30GB462<br>JF1H101<br>JF1H091<br>D1184 | 150,327 |
| 1/16 | 3450      | 1      | 208-230 | .48     | 9626         | CWLE     | Included    | 5/16" x 3-1/4"      | 3-3/8"     | 4-7/8"   | HC30GB230<br>HC30GB232<br>JF1H012<br>JF1H092<br>D1182 | 327     |
| 1/15 | 3000/3450 | 1      | 230/460 | 1.0/.51 | 660          | CCWLE    | Shaded Pole | 1/4" x 2-1/4"       | 3-3/8"     | 6"       | HC24AU725A  | 2,18    |
| 1/12 | 1100      | 1      | 208-230 | .53     | OCA10086     | CWLE     | 5MFD/370V   | 1/2" x 2-1/8"       | 5-5/8"     | 3-5/8"   | 3401<br>HE39GE232                                     |         |
| 1/10 | 1100      | 1      | 208-230 | 0.7     | OCA10106     | CWLE     | 5MFD/370V   | 1/2" x 2-1/8"       | 5-5/8"     | 3-1/2"   | 3402<br>HC39GE233                                     |         |

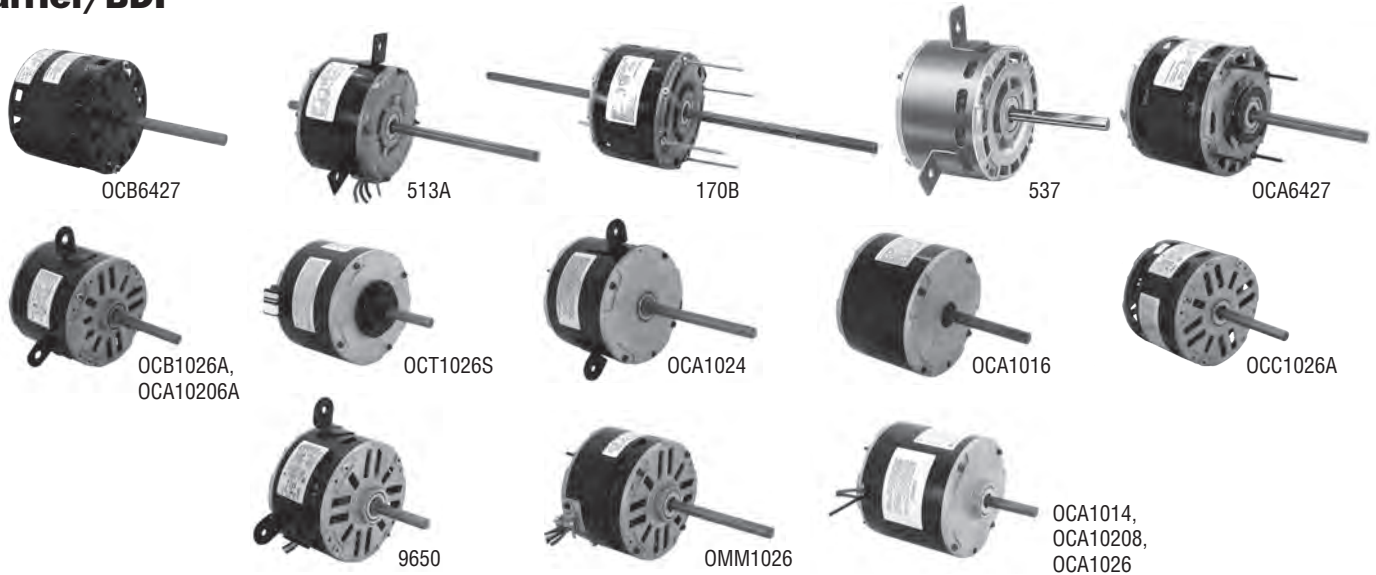
**Notes:**

- 2. Ball bearing
- 4. Supplied with lead and plug assembly
- 18. Includes 1/4-5/16" bushing
- 36. Lug mount
- 150. Rated 50/60 Hz
- 327. Carrier Sensor Assembly (50HJ 401 484) not included

Continues on next page



**Carrier/BDP**

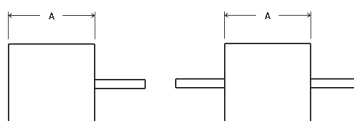


| HP            | RPM  | Speeds | Volts   | Amps        | Stock Number | Rotation | Capacitor   | Shaft Dia. & Length    | Motor Dia. | "A" Dim. | Cross Reference  | Notes           |
|---------------|------|--------|---------|-------------|--------------|----------|-------------|------------------------|------------|----------|--|-----------------|
| 1/6-1/10-1/15 | 1625 | 3      | 208-230 | 1.1         | 170B         | CCWLE    | 5MFD/370V   | 8-1/2" x 1/2" x 8-1/2" | 5-5/8"     | 3-3/4"   | 5KCP39CGA401T  |                 |
| 1/6-1/8-1/10  | 1040 | 3      | 208-230 | 1.3-0.8-0.6 | 513A         | CWLE     | 3MFD/370V   | 7" x 1/2" x 2-1/8"     | 5-5/8"     | 3-7/8"   | 124279, 128560   | 36              |
| 1/6           | 1500 | 1      | 208-230 | 0.9         | OCA1014      | CWLE     | 5MFD/370V   | 1/2" x 2-1/8"          | 5-5/8"     | 3-5/8"   |  |                 |
| 1/6           | 1075 | 1      | 208-230 | .80-.95     | OCA1016      | CCWLE    | 3MFD/370V   | 1/2" x 3-5/8"          | 5-5/8"     | 3-5/8"   | 5453<br>K55JGH-2667  |                 |
| 1/6           | 1075 | 2      | 208-230 | 1.2-1.2     | 9650         | CCWLE    | 4MFD/370V   | 1/2" x 3-1/8"          | 5-5/8"     | 3-5/8"   |  | 36              |
| 1/5-1/6       | 1050 | 2      | 208-230 | 1.3-.92     | 537          | REV      | 5MFD-440V   | 1/2" x 4-3/8"          | 5-5/8"     | 3-3/4"   | HC37VE230<br>HC37VE600   | 1,36            |
| 1/5           | 1050 | 4      | 115     | 7.8         | OCB6427      | CCWLE    | Shaded Pole | 1/2" x 4-13/16"        | 5"         | 4-1/16"  |  |                 |
| 1/5           | 1050 | 2      | 208-230 | 1.3         | OCA10206A    | REV      | 5MFD/440V   | 1/2" x 4-5/16"         | 5-5/8"     | 3-3/8"   | F48SD6MA22<br>F48SD6MA4<br>F48SD6MA11<br>F48SD6MA6<br>F48SD6MA16 | 36 <b>New!</b>  |
| 1/5           | 1050 | 4      | 115     | 9.8         | OCA6427      | CCWLE    | Shaded Pole | 1/2" x 4"              | 5"         | 4"       | 2981   |                 |
| 1/5           | 825  | 1      | 208-230 | 1.0-1.1     | OCA10208     | CWLE     | 7.5MFD/370V | 1/2" x 2-1/8"          | 5-5/8"     | 4-1/4"   | 3400<br>HC37GE208  |                 |
| 1/4           | 1625 | 1      | 230     | 1.4         | OCA1024      | CCWLE    | 4MFD/370V   | 1/2" x 4"              | 5-5/8"     | 3-7/8"   | D844<br>3064<br>5KCP39BG7524S<br>5KCP39BGK007T                   | 36              |
| 1/4           | 1075 | 1      | 230     | 2.1         | OCC1026A     | CCWLE    | 5MFD/370V   | 1/2" x 3-1/4"          | 5-5/8"     | 3-3/4"   | F48SF6MA5<br>F48SJ6M5<br>3158<br>F48SG6MA10                      | 208 <b>New!</b> |
| 1/4           | 1075 | 2      | 208-230 | 2.2         | OCB1026A     | REV      | 5MFD/440V   | 1/2" x 4-5/16"         | 5-5/8"     | 3-3/4"   | F48SJ6MA6<br>D843<br>3303<br>F48SG6MA16                          | 36 <b>New!</b>  |
| 1/4           | 1075 | 1      | 208-230 | 2.1         | OCT1026S     | CCWLE    | 5MFD/370V   | 1/2" x 3-1/4"          | 5-5/8"     | 4-1/8"   |  | 111             |
| 1/4           | 1075 | 2      | 230     | 1.6         | OMM1026      | REV      | 5MFD/370V   | 1/2" x 5-1/2"          | 5-5/8"     | 4-3/8"   | K8009  |                 |
| 1/4           | 1100 | 1      | 208-230 | 1.3-1.5     | OCA1026      | CWLE     | 5MFD/370V   | 1/2" x 2-1/8"          | 5-5/8"     | 4-1/8"   | 3404   |                 |

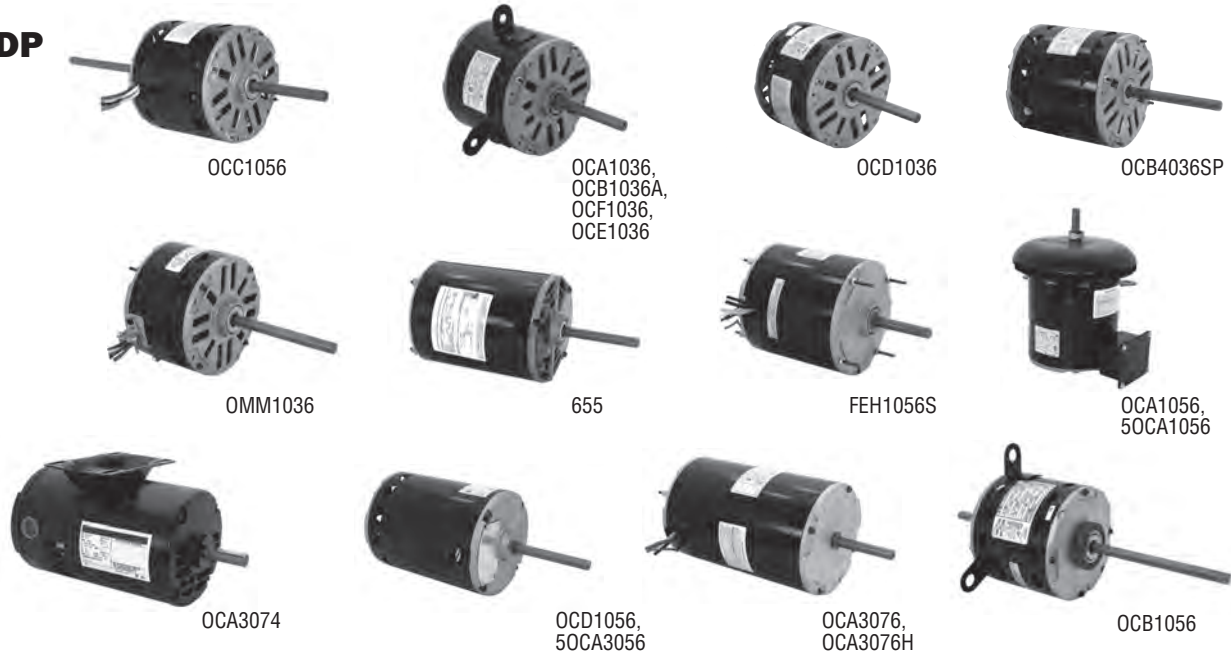
**Notes:**

- 1. Item to be discontinued when stock is depleted
- 36. Lug mount
- 111. Totally enclosed version of OCC1026
- 208. Fits most 38GS Series

Continues on next page



## Carrier/BDP



| HP  | RPM  | Speeds | Volts       | Amps     | Stock Number     | Rotation | Capacitor   | Shaft Dia. & Length | Motor Dia. | "A" Dim. | Cross Reference                             | Notes |
|-----|------|--------|-------------|----------|------------------|----------|-------------|---------------------|------------|----------|---|-------|
| 1/3 | 1075 | 2      | 208-230     | 2.5      | <b>OCB1036A</b>  | REV      | 5MFD/370V   | 1/2" x 4-3/8"       | 5-5/8"     | 4"       | F48SJ6MA8                                   | 36    |
| 1/3 | 1075 | 2      | 208-230     | 2.5      | <b>OCA1036</b>   | REV      | 5MFD/370V   | 1/2" x 4-1/4"       | 5-5/8"     | 4 -5/8"  |   | 2,36  |
| 1/3 | 1075 | 4      | 115         | 4.8      | <b>OCD1036</b>   | CCWLE    | 5MFD/370V   | 1/2" x 4"           | 5-5/8"     | 4-3/8"   | HC41MA119                                   | 1     |
|     |      |        |             |          |                  |          |             |                     |            |          | 3162<br>323078                              |       |
| 1/3 | 1075 | 2      | 208-230     | 2.5      | <b>OCF1036</b>   | CCWLE    | 5MFD/370V   | 1/2 x 3-1/2"        | 5-5/8"     | 4-1/4"   |   | 36    |
| 1/3 | 1075 | 1      | 208-230     | 2.9      | <b>OCE1036</b>   | CCWLE    | 5MFD/370V   | 1/2 x 3-1/2"        | 5-5/8"     | 4-1/4"   |   | 36    |
| 1/3 | 1075 | 2      | 230         | 1.8      | <b>OMM1036</b>   | REV      | 5MFD/370V   | 1/2 x 5-1/2"        | 5-5/8"     | 4-3/8"   | K8008                                       |       |
| 1/3 | 1050 | 4      | 115         | 5.7      | <b>OCB4036SP</b> | CCWLE    | INTERNAL    | 1/2" x 4-5/8"       | 5-5/8"     | 5-3/8"   |   |       |
| 1/2 | 1075 | 4      | 115         | 7.5      | <b>OCC1056</b>   | CCWLE    | 7.5MFD/370V | 7-3/4"x1/2"x4-3/8"  | 5-5/8"     | 5-1/8"   | HC43SZ116                                   |       |
|     |      |        |             |          |                  |          |             |                     |            |          | 5KCP39NGJ515                                |       |
| 1/2 | 1075 | 1      | 208-230     | 4.0      | <b>OCD1056</b>   | CWSE     | 7.5MFD/370V | 1/2" x 4-3/8"       | 5-5/8"     | 7-3/8"   | F48J6A1<br>F48J6A2<br>F48J6A5<br>P107, 3132 | 2     |
|     |      |        |             |          |                  |          |             |                     |            |          | 5KCP37PG361S                                |       |
| 1/2 | 1100 | 1      | 230         | 4.3      | <b>655</b>       | CWSE     | 5MFD-370V   | 1/2" x 4-1/4"       | 5-5/8"     | 7-1/4"   | HC44SL230                                   | 1,2   |
| 1/2 | 1050 | 1      | 460         | 0.9      | <b>FEH1056S</b>  | REV      | 10MFD/370V  | 1/2" x 3-5/16"      | 5-5/8"     | 5-5/8"   | D802  | 2,113 |
|     |      |        |             |          |                  |          |             |                     |            |          | 3320  |       |
| 1/2 | 1075 | 1      | 200-230/460 | 4.6/2.3  | <b>OCA1056</b>   | REV      | 7.5MFD/440V | 1/2" x 1-9/16"      | 5-5/8"     | 6-3/8"   |   | 2,36  |
| 1/2 | 1075 | 1      | 575         | 1.8      | <b>5OCA1056</b>  | CCWLE    | 7.5MFD/440V | 1/2" x 1-9/16"      | 5-5/8"     | 5-5/8"   |   | 2,36  |
| 1/2 | 1075 | 3      | 208-230     | 3.0      | <b>OCB1056</b>   | CCWLE    | 7.5MFD/370V | 2-3/4 x1/2x7-1/2"   | 5-5/8"     | 5"       |   | 2,36  |
| 1/2 | 1140 | 1      | 575         | 1.0      | <b>5OCA3056</b>  | REV      | Three Phase | 1/2" x 2-1/2"       | 5-5/8"     | 7"       | P48J6A2                                     | 2     |
|     |      |        |             |          |                  |          |             |                     |            |          | HD44ML461                                   |       |
| 3/4 | 1725 | 1      | 208-230/460 | 2.5-1.25 | <b>OCA3074</b>   | REV      | Three Phase | 5/8" x 1-15/16"     | 5-5/8"     | 10"      | HD54KF652                                   | 2,34  |
|     |      |        |             |          |                  |          |             |                     |            |          | HD46GA800                                   |       |
| 3/4 | 1140 | 1      | 208-230     | 3.8      | <b>OCA3076</b>   | REV      | Three Phase | 1/2" x 3 "          | 5-5/8"     | 8-3/4"   | HD46GL230                                   | 2,113 |
| 3/4 | 1140 | 1      | 460         | 1.9      | <b>OCA3076H</b>  | REV      | Three Phase | 1/2" x 3"           | 5-5/8"     | 8-3/4"   | HD46GK460                                   | 2,113 |

- Notes:**
- 1. Item to be discontinued when stock is depleted
  - 2. Ball bearing
  - 34. Rigid base
  - 36. Lug mount
  - 113. Totally enclosed

Continues on next page

**Carrier/BDP**



H978



H980



H979



FB3154

| HP  | RPM  | Speeds | Volts               | Amps            | Stock Number  | Rotation | Capacitor | Shaft Dia. & Length | Motor Dia. | "A" Dim. | Cross Reference          | Notes |
|-----|------|--------|---------------------|-----------------|---------------|----------|-----------|---------------------|------------|----------|--------------------------|-------|
| SPL | 1725 | 1      | 208-230/460         | 3.6/1.8         | <b>FB3154</b> | REV      | 3 Phase   | 5/8" x 2"           | 6-1/2"     | 9-7/8"   | HD56FK651<br>P56A01A02   | 2     |
| SPL | 1140 | 1      | 208-230/<br>460/575 | 5.5/2.8-<br>3.4 | <b>H978</b>   | REV      | 3 Phase   | 5/8" x 3-5/8"       | 6-1/2"     | 11-3/8"  | HD52AK652<br>MAG. 176055 | 2     |
| 3.0 | 1725 | 1      | 208-230/460         | 9.0-9.0/4.5     | <b>H980L</b>  | REV      | 3 Phase   | 7/8" x 2-5/16"      | 6-1/2"     | 12-5/8"  | HD60FK651<br>MAG. 182779 | 2     |
| 5.0 | 1725 | 1      | 208-230/460         | 15.0/7.4        | <b>H979</b>   | REV      | 3 Phase   | 7/8" x 2-5/16"      | 6-1/2"     | 13-5/8"  | HD60FK652<br>MAG. 182779 | 2     |
| 5.0 | 1725 | 1      | 208-230/460         | 15.0/7.4        | <b>H979L</b>  | REV      | 3 Phase   | 7/8" x 2-5/16"      | 6-1/2"     | 13-5/8"  | HD60FK652<br>MAG. 182779 | 2     |

**Chandler (see Heatcraft)**

**Climate Control (see Heatcraft)**

**Coleman**



98



349



BL6407,  
BL6408,  
BL6409

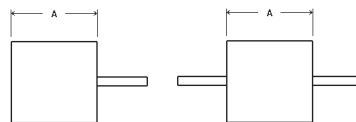


OMM1026,  
OMM1036

| HP            | RPM  | Speeds | Volts | Amps        | Stock Number   | Rotation | Capacitor   | Shaft Dia. & Length | Motor Dia. | "A" Dim. | Cross Reference          | Notes |
|---------------|------|--------|-------|-------------|----------------|----------|-------------|---------------------|------------|----------|--------------------------|-------|
| 1/125         | 3000 | 1      | 115   | .46         | <b>349</b>     | CCWLE    | Shaded Pole | 1/4" x 2-1/2"       | 3-3/8"     | 4-3/4"   | AAIEO97                  | 18    |
| 1/12          | 1050 | 1      | 115   | 3.1         | <b>BL6409</b>  | CCWLE    | Shaded Pole | 1/2" x 3"           | 5"         | 3-7/8"   |                          |       |
| 1/10          | 1050 | 1      | 115   | 3.9         | <b>BL6408</b>  | CCWLE    | Shaded Pole | 1/2" x 3"           | 5"         | 3-7/8"   |                          |       |
| 1/8~1/10~1/12 | 1050 | 3      | 115   | 5.1-3.5-3.0 | <b>98</b>      | CCWLE    | Shaded Pole | 1/2" x 3-3/4"       | 5"         | 4-1/4"   | 8865, 8845<br>8665, 8635 | 57    |
| 1/6           | 1000 | 1      | 115   | 7.8         | <b>BL6407</b>  | CCWLE    | Shaded Pole | 1/2" x 3"           | 5"         | 3-7/8"   |                          |       |
| 1/4           | 1075 | 2      | 230   | 1.6         | <b>OMM1026</b> | REV      | 5MFD/370V   | 1/2" x 5-1/2"       | 5-5/8"     | 4-3/8"   | K8009                    |       |
| 1/3           | 1075 | 2      | 230   | 1.8         | <b>OMM1036</b> | REV      | 5MFD/370V   | 1/2" x 5-1/2"       | 5-5/8"     | 4-3/8"   | K8008                    |       |

**Notes:**

- 2. Ball bearing
- 18. Includes 1/4"-5/16" bushing
- 57. Tapped holes for Coleman mount





# O.E.M. - Direct Replacement

## Consolidated Industries



643



9619, 9620,  
9621, 9622

| HP                  | RPM  | Speeds | Volts | Amps                 | Stock Number | Rotation | Capacitor   | Shaft Dia. & Length | Motor Dia. | "A" Dim. | Cross Reference  | Notes |
|---------------------|------|--------|-------|----------------------|--------------|----------|-------------|---------------------|------------|----------|--|-------|
| 1/30                | 3200 | 1      | 115   | 1.35                 | 9619         | CCWLE    | Shaded Pole | Blower              | 3.38"      | 3"       | JA1N107<br>490950<br>4246100                                 |       |
| 1/30                | 3200 | 1      | 115   | 1.35                 | 9621         | CCWLE    | Shaded Pole | Blower              | 3.38"      | 3"       | JA1N117<br>430580<br>4311200                                 |       |
| 1/20                | 3200 | 1      | 115   | 1.73                 | 9620         | CCWLE    | Shaded Pole | Blower              | 3.38"      | 3"       | JA1N114<br>422030<br>4246101                                 |       |
| 1/20                | 3200 | 1      | 115   | 1.73                 | 9622         | CCWLE    | Shaded Pole | Blower              | 3.38"      | 3"       | JA1N118<br>430590<br>4311201                                 |       |
| 3/4~1/2~<br>1/3~1/4 | 1100 | 4      | 115   | 10.6-8.9-<br>8.6-7.8 | 643          | CCWLE    | 15MFD-370V  | 5" x 1/2" x 3-1/2"  | 5-5/8"     | 6"       | MAA 080 NRSR<br>MAA 100 NRSR<br>MBA 080 NRSR<br>MBA 100 NRSR | 1     |

## Copeland



OCP1024



OCP0250,  
OCP0251



174A



OCP0108

| HP  | RPM       | Speeds | Volts   | Amps | Stock Number | Rotation | Capacitor | Shaft Dia. & Length | Motor Dia. | "A" Dim. | Cross Reference  | Notes |
|-----|-----------|--------|---------|------|--------------|----------|-----------|---------------------|------------|----------|--|-------|
| 1/6 | 1625      | 1      | 208-230 | 1.0  | 174A         | REV      | 5MFD-370V | 1/2" x 2-1/2"       | 5-5/8"     | 4"       | S3051  |       |
| 1/6 | 1400/1625 | 1      | 230     | 1.5  | OCP0251      | CWLE     | Included  | 1/2" x 2-1/2"       | 5"         | 3-7/8"   | 322P913<br>050-0251-00<br>6128   | 6     |
| 1/4 | 1625      | 1      | 208-230 | 1.5  | OCP1024      | CWLE     | 5MFD/370V | 1/2" x 3"           | 5-5/8"     | 4-9/16"  | 3047<br>D783<br>K6124<br>5KCP39GGD320T<br>5KCP39GG3537S  |       |
| 1/4 | 1400/1625 | 1      | 230     | 1.5  | OCP0250      | CWLE     | Included  | 1/2" x 2-1/2"       | 5"         | 3-7/8"   | 322P914<br>050-0250-00<br>6129   | 6     |
| 1/3 | 1625      | 1      | 208-230 | 2.6  | OCP0108      | CWLE     | Included  | 1/2" x 2-1/4"       | 5-5/8"     | 5-3/4"   | 5KCP39KGB906AT<br>5KCP39KGB906AS<br>5KCP32KG259S<br>050-0108-00<br>050-0018-00<br>K55ECE2645<br>K55HXJNJ-2976<br>K55HXSZJ-8106<br>3124, 6127<br>5KCP32KG175S | 2     |

### Notes:

- Item to be discontinued when stock is depleted
- Ball bearing
- 60/50 HZ

## Day/Night/Payne



| HP        | RPM  | Speeds | Volts   | Amps    | Stock Number | Rotation | Capacitor   | Shaft Dia. & Length | Motor Dia. | "A" Dim. | Cross Reference   | Notes          |
|-----------|------|--------|---------|---------|--------------|----------|-------------|---------------------|------------|----------|---|----------------|
| 1/3       | 1075 | 2      | 208-230 | 2.8     | ODN1036A     | CWLE     | 5MFD/370V   | 3-3/8" x 1/2"       | 5-5/8"     | 4.0"     | 3123<br>D845<br>5KCP39HGA206T<br>5KCP39HG7611S<br>P251-5301<br>PS2126-2 | 50 <b>New!</b> |
| 1/20~1/30 | 1550 | 2      | 115     | 2.7-1.4 | 359          | CCWLE    | Shaded Pole | 4" x 5/16" x 4"     | 3-3/8"     | 3-1/8"   | F33HXDDK-1548   |                |

## DuoTherm



| HP   | RPM  | Speeds | Volts | Amps | Stock Number | Rotation | Capacitor   | Shaft Dia. & Length | Motor Dia. | "A" Dim. | Cross Reference | Notes |
|------|------|--------|-------|------|--------------|----------|-------------|---------------------|------------|----------|-----------------|-------|
| 1/15 | 1000 | 1      | 115   | 3.2  | 686          | CCWLE    | Shaded Pole | 3/8" x 3-3/4"       | 5"         | 3"       | 3-9930          | 4     |
| 1/8  | 1050 | 1      | 115   | 4.2  | 584          | CCWLE    | Shaded Pole | 1/2" x 4"           | 5"         | 3-3/4"   | 3-14708         |       |
| 1/6  | 1050 | 1      | 115   | 7.9  | 585          | CCWLE    | Shaded Pole | 1/2" x 4"           | 5"         | 4-1/4"   | 3-14826         |       |

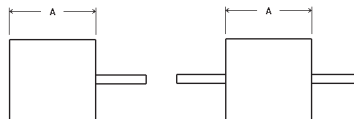
## Ebco



| HP    | RPM  | Speeds | Volts | Amps | Stock Number | Rotation | Capacitor   | Shaft Dia. & Length | Motor Dia. | "A" Dim. | Cross Reference | Notes |
|-------|------|--------|-------|------|--------------|----------|-------------|---------------------|------------|----------|-----------------|-------|
| 1/150 | 1550 | 1      | 115   | .42  | 674          | CWLE     | Shaded Pole | 1/4" -20THD.        | 3-3/8"     | 2-1/2"   | JA2C022R        |       |

### Notes:

- 4. Supplied with lead and plug assembly
- 50. Use with 5MFD-370V @ 230V; 7.5MFD-370 @ 208V



# O.E.M. - Direct Replacement

## Emerson (Chromalox)

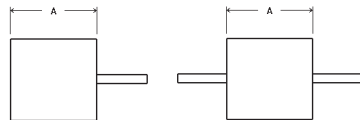


| HP   | RPM  | Speeds | Volts       | Amps    | Stock Number | Rotation | Capacitor   | Shaft Dia. & Length | Motor Dia. | "A" Dim. | Cross Reference | Notes |
|------|------|--------|-------------|---------|--------------|----------|-------------|---------------------|------------|----------|-----------------|-------|
| 1/70 | 1550 | 1      | 208-230/277 | .26/.19 | 656          | CWLE     | Shaded Pole | 5/16" x 1-1/2"      | 3-3/8"     | 2-3/4"   | AA2N080-084     |       |
| 1/20 | 1550 | 1      | 208-240/480 | .75/.34 | 657          | CWLE     | Shaded Pole | 5/16" x 3-5/8"      | 4-5/16"    | 3-3/4"   | CA2H013,015     |       |

## Emerson (Quiet Kool)



| HP  | RPM  | Speeds | Volts   | Amps | Stock Number | Rotation | Capacitor | Shaft Dia. & Length | Motor Dia. | "A" Dim. | Cross Reference | Notes |
|-----|------|--------|---------|------|--------------|----------|-----------|---------------------|------------|----------|-----------------|-------|
| 1/5 | 1400 | 3      | 208-230 | 1.6  | OEK4510      | CCWLE    | 5MFD/370V | 3-1/2" x 1/2" x 4"  | 5"         | 3-7/8"   |                 |       |
| 1/3 | 1400 | 2      | 208-230 | 2.4  | OEK4509      | CWLE     | 6MFD/370V | 5" x 1/2"           | 5"         | 4-1/8"   | M15010          |       |



## Evcon



961



OEV1006



OEV6016, OEV1026

| HP   | RPM  | Speeds | Volts   | Amps | Stock Number | Rotation | Capacitor   | Shaft Dia. & Length | Motor Dia. | "A" Dim. | Cross Reference       | Notes |
|------|------|--------|---------|------|--------------|----------|-------------|---------------------|------------|----------|-----------------------|-------|
| 1/50 | 3300 | 1      | 115     | 0.9  | 961          | CCWLE    | Shaded Pole | BLOWER              | 3-3/8"     | 3-1/4"   | 2702-3201A<br>JA1P092 |       |
| 1/12 | 1050 | 1      | 208-230 | .5   | OEV1006      | CWLE     | 5.0MFD/370V | 1/2" x 2 -3/4"      | 5"         | 3-3/8"   | F42B53A48<br>1468-41L |       |
| 1/6  | 1000 | 1      | 115     | 7.8  | OEV6016      | CCWLE    | Shaded Pole | 1/2" x 2-1/4"       | 5"         | 3-7/8"   | 322P289<br>7966-311   |       |
| 1/4  | 1050 | 1      | 115     | 6.0  | OEV1026      | CCWLE    | 7.5MFD/370V | 1/2" x 3"           | 5"         | 4-1/8"   | 322P890<br>1468-212   |       |

## Fasco



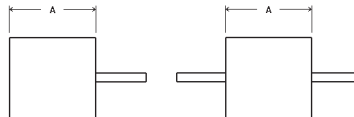
562 (For 265 CFM)



563 (For 460 CFM)

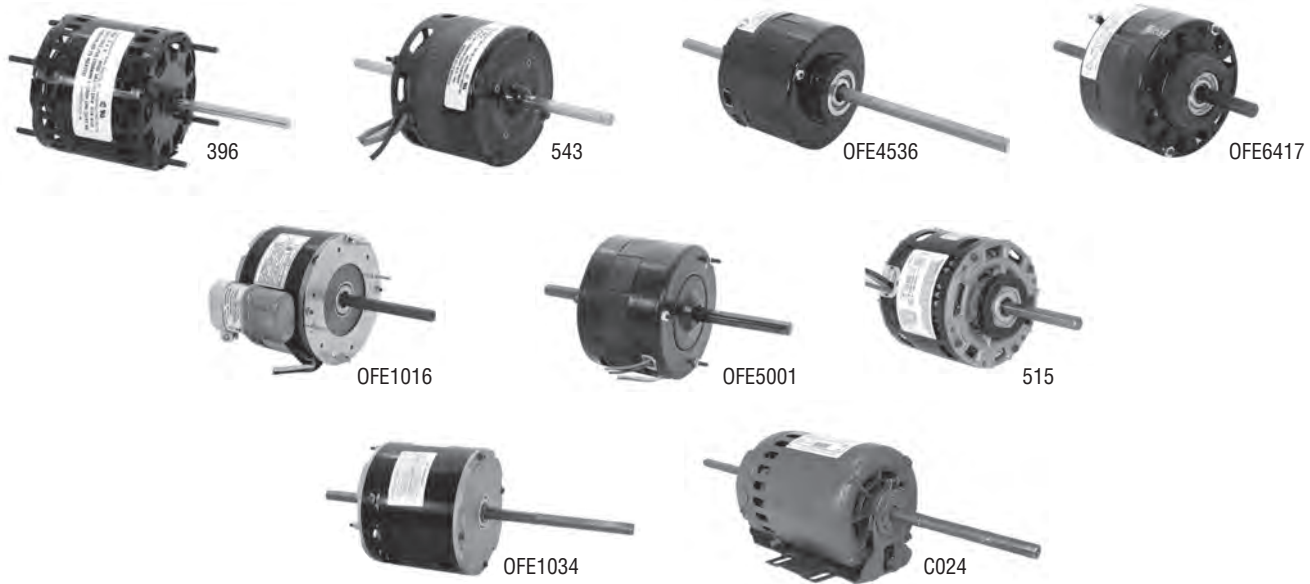
| HP   | RPM  | Speeds | Volts | Amps | Stock Number | Rotation | Capacitor   | Shaft Dia. & Length | Motor Dia. | "A" Dim. | Cross Reference | Notes |
|------|------|--------|-------|------|--------------|----------|-------------|---------------------|------------|----------|-----------------|-------|
| 1/25 | 1630 | 1      | 115   | 1.6  | 562          | CCWLE    | Shaded Pole | 5/16" x 1-1/2"      | 3-3/8"     | 2-3/4"   | B45227          | 6     |
| 1/15 | 1600 | 2      | 115   | 2.9  | 563          | CWLE     | Shaded Pole | 5/16" x 2-1/2"      | 3-3/8"     | 4-3/8"   | B45267          |       |

**Note:**  
6. 60/50 HZ



# O.E.M. - Direct Replacement

## Fedders



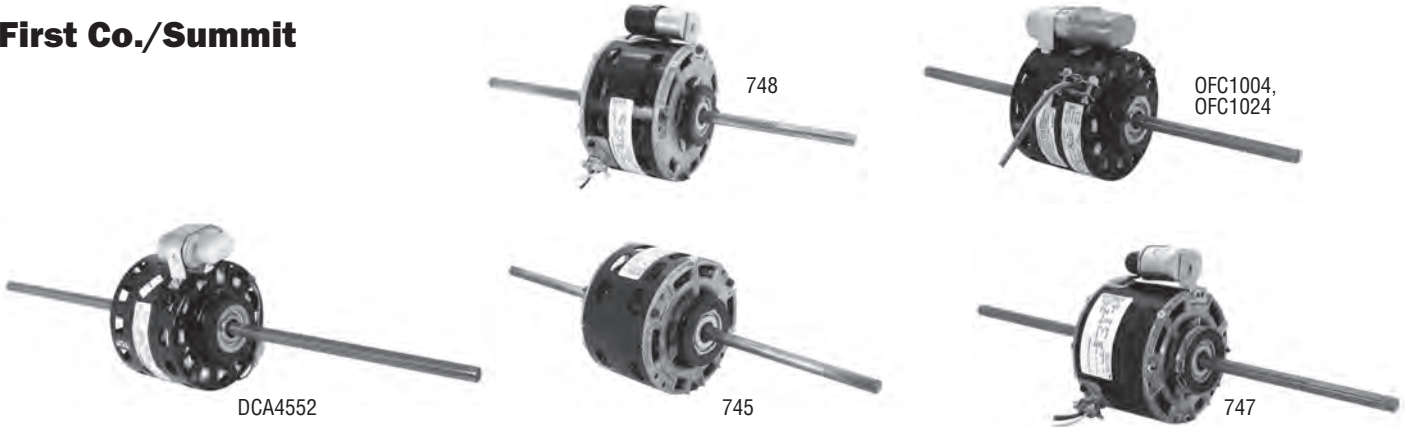
| HP             | RPM  | Speeds | Volts   | Amps        | Stock Number   | Rotation | Capacitor   | Shaft Dia. & Length    | Motor Dia. | "A" Dim. | Cross Reference   | Notes |
|----------------|------|--------|---------|-------------|----------------|----------|-------------|------------------------|------------|----------|---|-------|
| 1/20           | 1450 | 1      | 208-230 | 1.1         | <b>396</b>     | CCWLE    | Shaded Pole | 5/16" x 2-1/2"         | 3-3/8"     | 3-1/4"   | S196-47-2,-3  | 4     |
| 1/15~1/20~1/25 | 1550 | 3      | 115     | 2.8-2.0-1.6 | <b>543</b>     | CCWLE    | Shaded Pole | 3-1/4" x 3/8" x 3-1/4" | 4-5/16"    | 3-1/4"   | S203-51-1,-2,-3,-4  |       |
| 1/6            | 1625 | 3      | 115     | 2.0         | <b>OFE4536</b> | CCWLE    | 10MFD/370V  | 3-5/8" x 1/2" x 6-7/8" | 5"         | 3-5/8"   | M15580-3  |       |
| 1/5            | 1080 | 1      | 230     | 1.3         | <b>OFE1016</b> | CWLE     | Included    | 1/2" x 4-1/4"          | 5-5/8"     | 3-7/8"   | S196-179-1<br>S196-HP127-1<br>S196-KP127-1<br>S196-66-1, D882<br>7126-0320                |       |
| 1/5            | 1350 | 2      | 208-230 | 1.5         | <b>OFE5001</b> | CCWLE    | 4MFD/370V   | 3-5/8" x 1/2" x 2-3/4" | 5"         | 3-3/8"   | S202-00028-001<br>11-33-90000-003<br>F42B11A23  |       |
| 1/4            | 1100 | 1      | 208-230 | 1.5         | <b>515</b>     | CCWLE    | 5MFD-370V   | 1/2" x 4"              | 5"         | 4-1/4"   | S196-18-2   |       |
| 1/3            | 1400 | 3      | 208-230 | 2.2         | <b>OFE1034</b> | CCWLE    | 7.5MFD/370V | 3-1/4" x 1/2" x 6-1/2" | 5-5/8"     | 4-7/8"   | S202-00034-002<br>F48F32A23<br>11-28-90000-004  |       |
| 3/4            | 1075 | 1      | 208-230 | 6.0         | <b>C024</b>    | CCWLE    | 10MFD-370V  | 7-1/2" x 5/8" x 7-1/2" | 6-1/2"     | 9"       | WWG 3M825<br>Johnstone S88-057<br>S88-422, Marathon X205<br>Emerson K2328<br>K63TXMR-1109 |       |

**Notes:**

4. Supplied with lead and plug assembly



**First Co./Summit**



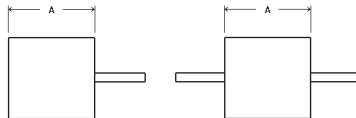
| HP                | RPM  | Speeds | Volts   | Amps            | Stock Number | Rotation | Capacitor   | Shaft Dia. & Length  | Motor Dia. | "A" Dim. | Cross Reference  | Notes |
|-------------------|------|--------|---------|-----------------|--------------|----------|-------------|----------------------|------------|----------|--|-------|
| 1/8               | 1500 | 2      | 208-230 | 1.3             | OFC1004      | CCWLE    | Included    | 6-3/4 x 1/2 x 6-3/4" | 5"         | 3-5/8"   | 326P400<br>M8<br>746                                   | 7     |
| 1/6~1/8~1/10~1/12 | 1550 | 4      | 120     | 5.0-3.3-2.9-2.4 | 745          | CCWLE    | Shaded Pole | 7-5/8 x 1/2 x 7-5/8" | 5"         | 4-1/4"   | M3   | 7     |
| 1/6~1/8~1/10~1/12 | 1550 | 4      | 120     | 3.7-1.9-1.7-1.4 | 748          | CCWLE    | Included    | 8-1/8 x 1/2 x 8-1/8" | 5"         | 3-1/2"   | M25  | 7     |
| 1/5               | 1550 | 3      | 208-230 | 1.9             | DCA4522      | CCWLE    | Included    | 6-5/8 x 1/2 x 6-5/8" | 5"         | 3-7/8"   | 2984<br>5KCP29FK6552S<br>5KCP29FK630S<br>5KSP29HK1672S | 7     |
| 1/4               | 1625 | 2      | 208-230 | 1.8             | OFC1024      | CCWLE    | Included    | 7-5/8 x 1/2 x 7-3/4" | 5"         | 3-9/16"  | 326P451<br>M10<br>747<br>D258                          | 7     |
| 1/4~1/8           | 1625 | 2      | 208-230 | 2.0-.80         | 747          | CCWLE    | Included    | 7-3/4 x 1/2 x 7-3/4" | 5"         | 3-3/4"   | M10  | 7     |

**Foster, Vulcan-Hart**



| HP   | RPM  | Speeds | Volts | Amps | Stock Number | Rotation | Capacitor   | Shaft Dia. & Length | Motor Dia. | "A" Dim. | Cross Reference | Notes |
|------|------|--------|-------|------|--------------|----------|-------------|---------------------|------------|----------|-----------------|-------|
| 1/75 | 1650 | 1      | 115   | .50  | 683          | CCWLE    | Shaded Pole | 1/4"-20 THD         | 3-3/8"     | 2"       | R10CW68M, ME    |       |

**Note:**  
7. Resilient mounting rings included



# O.E.M. - Direct Replacement

## Friedrich



OFR1016



OFR1036

| HP  | RPM  | Speeds | Volts | Amps | Stock Number   | Rotation | Capacitor | Shaft Dia. & Length | Motor Dia. | "A" Dim. | Cross Reference   | Notes  |
|-----|------|--------|-------|------|----------------|----------|-----------|---------------------|------------|----------|---|--------|
| 1/6 | 1075 | 5      | 230   | .8   | <b>OFR1016</b> | CCWLE    | 4MFD/370V | 2-1/2"x1/2"x3-3/8"  | 5-5/8"     | 4-1/16"  | D867<br>323P225   | 36,256 |
| 1/3 | 1075 | 5      | 230   | 1.8  | <b>OFR1036</b> | CCWLE    | 5MFD/370V | 2-1/2"x1/2"x2-5/8"  | 5-5/8"     | 4-7/8"   | 3002<br>5KCP39MG9096S<br>5KCP39MG9579S<br>5KCP39MG71455<br>5KCP39LGG7205<br>K4340<br>D868 | 36,256 |

\*5KCP39MG9096S, 5KCP39KGE992S, 5KCP39LG804S, 5KCP39LGG720S, 5KCP39LGK010T, 5KCP39MG7145S, 5KCP39MG9679S, 5KCP39LGM011T

## Gibson/Kelvinator



377



399A



524



9648

| HP             | RPM  | Speeds | Volts | Amps        | Stock Number | Rotation | Capacitor   | Shaft Dia. & Length     | Motor Dia. | "A" Dim. | Cross Reference | Notes    |
|----------------|------|--------|-------|-------------|--------------|----------|-------------|-------------------------|------------|----------|-----------------|----------|
| 1/15~1/25~1/30 | 1550 | 3      | 115   | 2.7-1.9-1.6 | <b>377</b>   | CWLE     | Shaded Pole | 6-3/8" x 5/16" x 6-3/8" | 3-3/8"     | 3-3/8"   |                 | 105      |
| 1/3~1/4~1/5    | 1365 | 3      | 230   | 2.7-2.0-1.6 | <b>399A</b>  | CCWLE    | 5MFD-370V   | 7-3/4" x 1/2" x 7-1/2"  | 5-5/8"     | 4-1/2"   | RAK7024         |          |
| 1/3            | 1300 | 4      | 230   | 3.2         | <b>9648</b>  | CCWLE    | 5MFD-370V   | 2" x 1/2" x 4-1/8"      | 5-5/8"     | 4-5/8"   | RAK7091         | 6,36,256 |

## Goodman/Janitrol



OGD1016, OGD1026

| HP  | RPM  | Speeds | Volts   | Amps | Stock Number   | Rotation | Capacitor | Shaft Dia. & Length | Motor Dia. | "A" Dim. | Cross Reference                                       | Notes   |
|-----|------|--------|---------|------|----------------|----------|-----------|---------------------|------------|----------|---|---------|
| 1/6 | 1075 | 1      | 208-230 | 1.0  | <b>OGD1016</b> | CCWLE    | 5MFD/370V | 1/2" x 3-3/4"       | 5-5/8"     | 3-7/8"   | B13400-251<br>4M287<br>F48F96A76<br>F48A90A76<br>3216 | 201,278 |
| 1/4 | 1075 | 1      | 208-230 | 1.5  | <b>OGD1026</b> | CCWLE    | 5MFD/370V | 1/2" x 3-1/4"       | 5-5/8"     | 4-1/4"   | B13400-247<br>F48A91A76<br>3218<br>F48F97A76          | 201,277 |

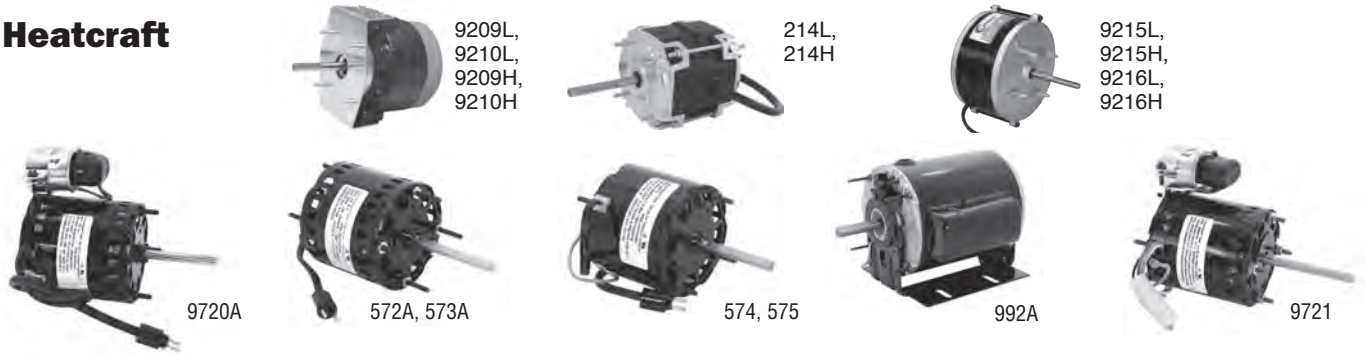
### Notes:

6. 60/50 HZ  
36. Lug mount  
105. Use with 1805A or 2099A bracket

201. Four studs on a 5.15" diameter bolt circle  
256. 7-3/8" diameter bolt circle  
277. 47" leads

278. 40" leads 256. 7-3/8" diameter bolt circle

## Heatcraft

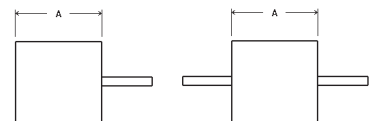


| HP   | RPM  | Speeds | Volts       | Amps    | Stock Number | Rotation | Capacitor   | Shaft Dia. & Length | Motor Dia. | "A" Dim. | Cross Reference   | Notes |
|------|------|--------|-------------|---------|--------------|----------|-------------|---------------------|------------|----------|---|-------|
| 1/20 | 1550 | 1      | 115         | 1.9     | <b>572A</b>  | CCWLE    | Shaded Pole | 5/16" x 3"          | 3-3/8"     | 3"       | 5034LS, 5008SS  | 4     |
| 1/15 | 1550 | 1      | 208-230     | 1.3     | <b>573A</b>  | CCWLE    | Shaded Pole | 5/16" x 3"          | 3-3/8"     | 3-5/8"   | 5034MS, 5008TS  | 4     |
| 1/20 | 1550 | 1      | 115         | 1.6     | <b>574</b>   | CWLE     | Shaded Pole | 5/16" x 2-5/8"      | 3-3/8"     | 2-3/4"   | 253-1194  | 4,6   |
| 1/20 | 1550 | 1      | 208-230     | .90     | <b>575</b>   | CWLE     | Shaded Pole | 5/16" x 2-5/8"      | 3-3/8"     | 2-3/4"   | 253-1195  | 4,6   |
| 1/12 | 1550 | 1      | 208-230     | 0.5     | <b>9720A</b> | CWLE     | Included    | 5/16" x 2-5/8"      | 3-3/8"     | 3-5/8"   | D1125, 7190-0442<br>7190-2084, 9656<br>7071061, 25309101  | 4,6   |
| 1/12 | 1550 | 1      | 115/208-230 | 1.1/0.5 | <b>9721</b>  | REV      | Included    | 5/16" x 3-1/4"      | 3-3/8"     | 3-5/8"   | 9656, 9664<br>D1125, PD1125<br>PD1127<br>7190-2969<br>7190-0442<br>7190-2084<br>7071061<br>25309101 | 2,6,9 |
| 1/2  | 1075 | 1      | 208-230     | 4.2     | <b>992A</b>  | REV      | 7.5MFD-370V | 1/2" x 2-3/4"       | 5-5/8"     | 6-3/4"   | GE5KCP39PGH728T<br>JOHNSTONE S88-667<br>SCS05001H-CPM120-3<br>FASCO D863                            | 2     |

| HP               | RPM  | Volts   | Amps | Stock No.    | ROT OSE    | Rear Mounting Holes | "A" Dim. | Cross Reference                                   | Notes       |
|------------------|------|---------|------|--------------|------------|---------------------|----------|---|-------------|
| 1/15, 1/20, 1/25 | 1550 | 115     | 1.25 | <b>9209L</b> | CCW        | 4 studs SE          | 3.20     | 22617801, 22618001<br>25307801, 25308001          | <b>New!</b> |
| 1/15, 1/20, 1/25 | 1550 | 115     | 1.25 | <b>9210L</b> | CW         | 4 studs SE          | 3.20     | 22531194  | <b>New!</b> |
| 1/15, 1/20, 1/25 | 1550 | 230     | 0.77 | <b>9209H</b> | CCW        | 4 studs SE          | 3.20     | 22617701, 22617901<br>25307701, 25307901          | <b>New!</b> |
| 1/15, 1/20, 1/25 | 1550 | 230     | 0.77 | <b>9210H</b> | CW         | 4 studs SE          | 3.20     | 2531195   | <b>New!</b> |
| 1/15, 1/20, 1/25 | 1550 | 115     | 1.3  | <b>9214L</b> | Reversible | 4 studs each end    | 3.58     | 22617801, 22618001<br>25307801, 25308001, 2531194 | <b>New!</b> |
| 1/15, 1/20, 1/25 | 1550 | 208-230 | 0.63 | <b>9214H</b> | Reversible | 4 studs each end    | 3.58     | 22617701, 22617901<br>25307701, 25307901, 2531195 | <b>New!</b> |
| 1/15, 1/20, 1/25 | 1625 | 120     | 1.2  | <b>9215L</b> | CCW        | 4 studs each end    | 2.85     | 22617801, 22618001<br>25307801, 25308001          | <b>New!</b> |
| 1/15, 1/20, 1/25 | 1625 | 120     | 1.2  | <b>9216L</b> | CW         | 4 studs each end    | 2.85     | 2531194   | <b>New!</b> |
| 1/15, 1/20, 1/25 | 1625 | 230     | 0.7  | <b>9215H</b> | CCW        | 4 studs each end    | 2.85     | 22617701, 22617901<br>25307701, 25307901          | <b>New!</b> |
| 1/15, 1/20, 1/25 | 1625 | 230     | 0.7  | <b>9216H</b> | CW         | 4 studs each end    | 2.85     | 2531195   | <b>New!</b> |

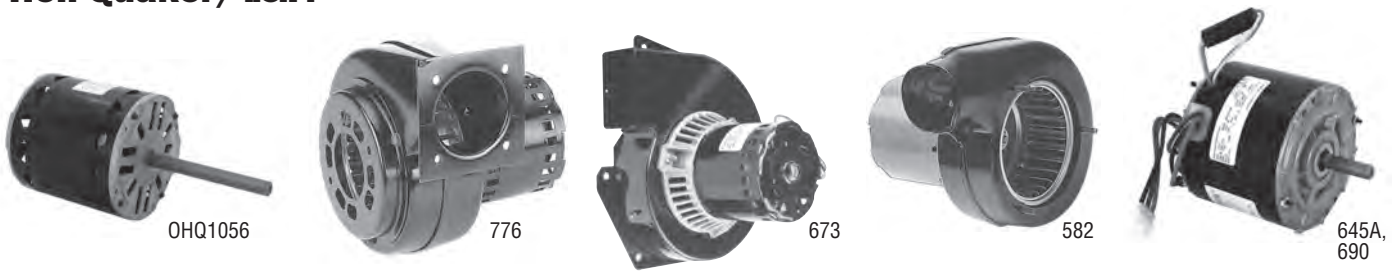
**Notes:**

- 2. Ball bearing
- 4. Supplied with Lead and Plug Assembly
- 6. 60/50 HZ
- 9. Reversing plug



# O.E.M. - Direct Replacement

## Heil-Quaker/ L.C.P.



| HP   | RPM  | Speeds | Volts   | Amps    | Stock Number | Rotation | Capacitor   | Shaft Dia. & Length | Motor Dia. | "A" Dim. | Cross Reference   | Notes |
|------|------|--------|---------|---------|--------------|----------|-------------|---------------------|------------|----------|---|-------|
| 1/50 | 3200 | 1      | 230     | .40     | 776          | CCWLE    | Shaded Pole | BLOWER              | 3-3/8"     | 2-3/4"   | HQ1050144   |       |
| 1/50 | 3000 | 1      | 115     | 1.0     | 673          | CCWLE    | Shaded Pole | BLOWER              | 3-3/8"     | 2-3/4"   | 610672  |       |
| 1/40 | 3000 | 1      | 115/230 | 1.0-.50 | 582          | CCWLE    | Shaded Pole | BLOWER              | 3-3/8"     | 2-1/2"   | HQ601073UN  | 2     |
| 1/6  | 1110 | 1      | 208-230 | 1.03    | 690          | REV      | 5MFD-370V   | 1/2" x 1-3/4"       | 5"         | 4-1/4"   | HQ1052662UN   | 4,9   |
|      |      |        |         |         |              |          |             |                     |            |          | **  |       |
| 1/3  | 1120 | 1      | 208-230 | 1.2     | 645A         | REV      | 5MFD-370V   | 1/2" x 2"           | 5-5/8"     | 4-1/4"   | HQ1050703<br>HQ1054573<br>HQ106494<br>HE3G296<br>HE3G341<br>HE3G394 | 4,9   |
| 1/2  | 1050 | 4      | 115     | 11.0    | OHQ1056      | REV      | 15MFD/370V  | 5/8" x 5-1/2"       | 5-5/8"     | 5-7/8"   | KA55FYEPZZ998   | 131   |

\*\*DE3G125, DE3G825, DE3G104N, HQ1080613, HQ1068865

## Herman Nelson



| HP  | RPM | Speeds | Volts | Amps | Stock Number | Rotation | Capacitor | Shaft Dia. & Length | Motor Dia. | "A" Dim. | Cross Reference | Notes |
|-----|-----|--------|-------|------|--------------|----------|-----------|---------------------|------------|----------|-----------------|-------|
| 1/8 | 700 | 1      | 115   | 2.1  | 0547A        | CWLE     | Included  | 1/2" x 2-1/8"       | 5-5/8"     | 6"       | 7-150444-02     | 2,4   |
|     |     |        |       |      |              |          |           |                     |            |          | Fasco D827      |       |

## Hill Refrigeration



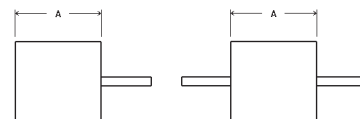
| HP  | RPM  | Speeds | Volts   | Amps    | Stock Number | Rotation | Capacitor  | Shaft Dia. & Length | Motor Dia. | "A" Dim. | Cross Reference | Notes   |
|-----|------|--------|---------|---------|--------------|----------|------------|---------------------|------------|----------|-----------------|---------|
| 1/3 | 1625 | 1      | 208-230 | 3.0     | 160A         | REV      | Included   | 1/2" x 4"           | 5-5/8"     | 4-5/8"   | *               |         |
| 1   | 1075 | 1      | 208-230 | 7.1/6.4 | OHR1106      | REV      | 15MFD/370V | 1/2" x 3-3/4"       | 5-5/8"     | 5-1/2"   | **              | 2,9,242 |

\*3001 K7232 82001 3M612 M-2-008 F112 D-801 5KCP39KG1369BS K55HCN4370

\*\*5KCP39PP19162G 3067 5KCP39PGC910S5KCP39PGC030S

### Notes:

- 2. Ball bearing
- 4. Supplied with lead and plug assembly
- 9. Reversing plug
- 131. Single flat on shaft
- 242. BX connector



## Hussmann



174A



OHS1004



OHS1016



OHS10206



OHS9983

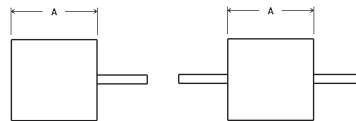


9211

| HP    | RPM  | Speeds | Volts   | Amps      | Stock Number | Rotation            | Capacitor | Shaft Dia. & Length | Motor Dia. | "A" Dim. | Cross Reference  | Notes |
|-------|------|--------|---------|-----------|--------------|---------------------|-----------|---------------------|------------|----------|--|-------|
| 1/8   | 1550 | 1      | 230     | 1.0       | OHS1004      | CWLE                | 5MFD-370V | 1/2" x 2"           | 5-5/8"     | 3-3/4"   | 3011<br>5KSP39DG2221S<br>5KSP39DG4220AS  |       |
| 1/6   | 1625 | 1      | 208-230 | 1.0       | 174A         | REV                 | 5MFD-370V | 1/2" x 2-1/2"       | 5-5/8"     | 4"       | S3057  |       |
| 1/5   | 1075 | 1      | 230     | 1.6       | OHS1016      | CWLE                | Included  | 1/2" x 3"           | 5-5/8"     | 4-1/4"   | 3009<br>5KCP39GG3611AS<br>D805   |       |
| 1/5   | 1075 | 1      | 208-230 | 1.3       | OHS10206     | CWLE                | Included  | 1/2" x 3"           | 5-5/8"     | 4-1/8"   | 1648<br>K55CLN1782<br>K55HXKWA8573<br>3008<br>3012<br>5KCP39GG5606S<br>5KCP39GG765S<br>5KCP39GGC052T<br>5KCP39GN765<br>5KSP39GGA967T<br>P011-96203 | 2     |
| 1/2   | 1725 | 1      | 208-230 | 2.7       | OHS9983      | CWLE                | Included  | 1/2" x 3-1/2"       | 5-5/8"     | 5-1/8"   | 0644<br>644<br>K644<br>K055SME164467<br>K55HXCTP9963<br>K55XSME-1644<br>D890<br>259983   | 2,6   |
| Watts | RPM  | Volts  | Amps    | Stock No. | ROT OSE      | Rear Mounting Holes | "A" Dim.  | Notes               |            |          |  |       |
| 13    | 1725 | 115    | 0.47    | 9211      | CW           | 5                   | 2.93      | New!                |            |          |  |       |

**Notes:**

- 2. Ball bearing
- 6. 60/50 HZ



# O.E.M. - Direct Replacement

## Ice Cap



638, 950



639A

| HP             | RPM  | Speeds | Volts   | Amps | Stock Number | Rotation | Capacitor | Shaft Dia. & Length    | Motor Dia. | "A" Dim. | Cross Reference                        | Notes |
|----------------|------|--------|---------|------|--------------|----------|-----------|------------------------|------------|----------|--|-------|
| 1/10~1/20~1/35 | 1695 | 3      | 115     | .87  | 638          | CWLE     | 4MFD-370V | 6-1/2" x 3/8" x 6-1/2" | 5"         | 3-3/4"   | ELB1271<br>DE2E132, 188<br>AOS DBL4500 |       |
| 1/10~1/20~1/35 | 1500 | 3      | 208-230 | .7   | 950          | CWLE     | 4MFD-370V | 6-1/2" x 3/8" x 6-1/2" | 5"         | 3-3/4"   | ELB1272<br>5KCP29BK4169S<br>DE2D150    |       |
| 1/10           | 1075 | 1      | 208-230 | 0.8  | 639A         | REV      | 5MFD-370V | 1/2" x 2"              | 5-5/8"     | 3-1/2"   | ELB1085<br>HE3D066                     |       |

## Intertherm



97



90



423

| HP        | RPM  | Speeds | Volts | Amps    | Stock Number | Rotation | Capacitor   | Shaft Dia. & Length | Motor Dia. | "A" Dim. | Cross Reference  | Notes |
|-----------|------|--------|-------|---------|--------------|----------|-------------|---------------------|------------|----------|------------------|-------|
| 1/12~1/25 | 1050 | 2      | 115   | 4.0-1.6 | 97           | CCWLE    | Shaded Pole | 3/8" x 2-3/4"       | 4-5/16"    | 4"       | TAC950,1000,1033 | 4     |
| 1/8~1/10  | 1050 | 2      | 115   | 5.2-3.5 | 90           | CCWLE    | Shaded Pole | 1/2" x 3-3/4"       | 5"         | 3-3/4"   | 87N069, 094, 099 | 4     |

## J & D

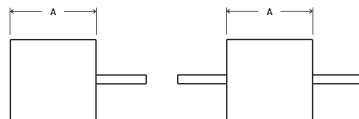


969A

| HP  | RPM | Speeds | Volts   | Amps    | Stock Number | Rotation | Capacitor | Shaft Dia. & Length | Motor Dia. | "A" Dim. | Cross Reference | Notes |
|-----|-----|--------|---------|---------|--------------|----------|-----------|---------------------|------------|----------|-----------------|-------|
| 1/2 | 840 | 1      | 115/230 | 6.1/3.1 | 969A         | CCWLE    | Included  | 5/8" x 2-5/8"       | 5-5/8"     | 8-1/4"   | HF4U006<br>D998 | 118   |

### Notes:

- 4. Supplied with lead and plug assembly
- 118. TEAO





## Jenn Air



| HP   | RPM  | Speeds | Volts | Amps | Stock Number | Rotation | Capacitor   | Shaft Dia. & Length | Motor Dia. | "A" Dim. | Cross Reference                  | Notes |
|------|------|--------|-------|------|--------------|----------|-------------|---------------------|------------|----------|----------------------------------|-------|
| 1/30 | 1550 | 1      | 115   | 1.0  | 77           | CWSE     | Shaded Pole | 5/16 x 2            | 3-3/8"     | 3-1/4    | 70CR                             | 2     |
| 1/15 | 1550 | 1      | 115   | 2.1  | 78           | CCWLE    | Shaded Pole | 3/8 x 2-1/2         | 4-5/16"    | 4-1/2    | 80CR                             | 2     |
| 1/15 | 1550 | 1      | 115   | 2.3  | 484          | CCWSE    | Shaded Pole | 3/8 x 2-1/2         | 4-5/16"    | 3        | CA2E120, #7704                   |       |
| 1/10 | 1550 | 1      | 115   | 2.4  | 781          | CWLE     | Shaded Pole | 3/8 x 1-3/4         | 4-5/16"    | 3-5/8    | 704759, 205032, CA2F090, CA2F091 |       |

## Jet Spray



| HP    | RPM  | Speeds | Volts   | Amps     | Stock Number | Rotation | Capacitor   | Shaft Dia. & Length | Motor Dia. | "A" Dim. | Cross Reference | Notes |
|-------|------|--------|---------|----------|--------------|----------|-------------|---------------------|------------|----------|-----------------|-------|
| 1/150 | 1550 | 1      | 115/230 | .37/1.15 | 688          | CWLE     | Shaded Pole | 5/16" x 1"          | 3-3/8"     | 2-7/8"   | J1506, 1507     |       |

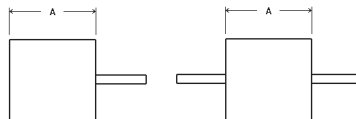
## Johnson Furnace



| HP       | RPM  | Speeds | Volts   | Amps    | Stock Number | Rotation | Capacitor   | Shaft Dia. & Length | Motor Dia. | "A" Dim. | Cross Reference | Notes |
|----------|------|--------|---------|---------|--------------|----------|-------------|---------------------|------------|----------|-----------------|-------|
| 1/60     | 3000 | 1      | 208-230 | .55     | 464          | CWLE     | Shaded Pole | Blower              | 3-3/8"     | 6-3/4"   | 80280           | 2     |
| 1/8      | 1050 | 1      | 115     | 1.8     | 153A         | CCWLE    | 5MFD-370V   | 1/2" x 3"           | 5-5/8"     | 4"       | 8761B           |       |
| 1/6~1/10 | 1075 | 2      | 208-230 | 1.0-0.9 | 493A         | CWLE     | 4MFD-370V   | 1/2" x 2"           | 5-5/8"     | 4"       | 3699B           |       |

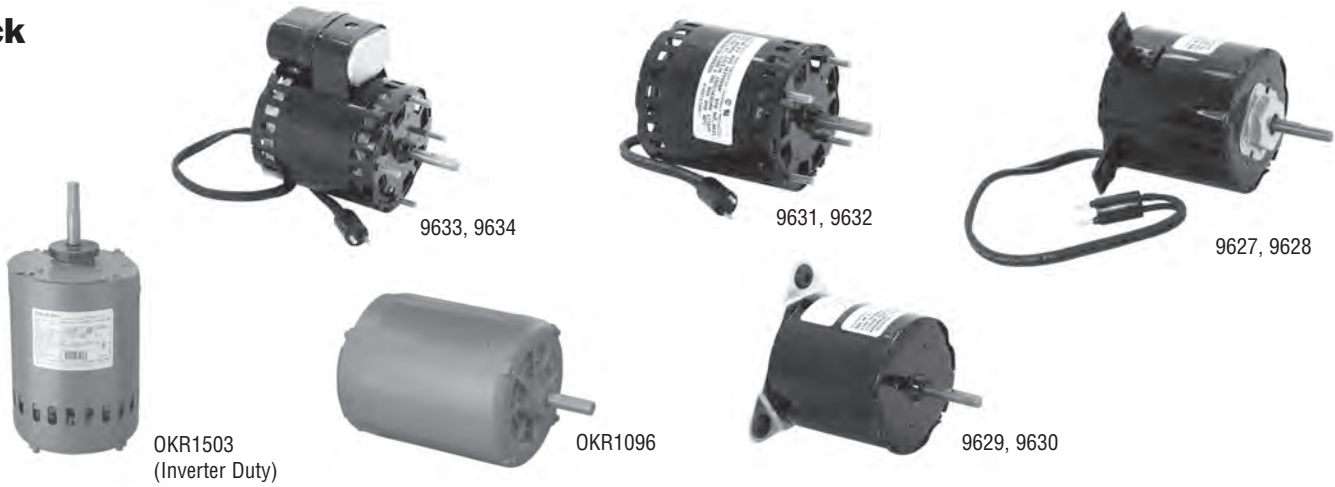
**Notes:**

2. Ball bearing



# O.E.M. - Direct Replacement

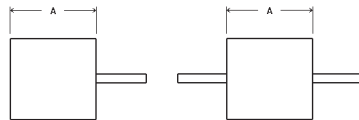
## Krack



| HP   | RPM  | Speeds | Volts       | Amps        | Stock Number   | Rotation | Capacitor   | Shaft Dia. & Length | Motor Dia. | "A" Dim. | Cross Reference                | Notes |
|------|------|--------|-------------|-------------|----------------|----------|-------------|---------------------|------------|----------|--------------------------------|-------|
| 1/25 | 1550 | 1      | 115         | 1.3         | <b>9627</b>    | CCWLE    | Shaded Pole | 5/16" x 1-3/4"      | 3-3/8"     | 3-1/4"   | 11528<br>JAZP216               | 4,6   |
| 1/25 | 1550 | 1      | 115         | 1.3         | <b>9629</b>    | CCWLE    | Shaded Pole | 5/16" x 1-3/4"      | 3-3/8"     | 3-1/4"   | 11510<br>8254110680<br>JA2P228 | 6     |
| 1/25 | 1550 | 1      | 208-230     | 0.7         | <b>9630</b>    | CCWLE    | Shaded Pole | 5/16" x 1-3/4"      | 3-3/8"     | 3-1/4"   | 11511<br>8254160150<br>JA2P229 | 6     |
| 1/20 | 1550 | 1      | 200-230     | 0.9         | <b>9628</b>    | CCWLE    | Shaded Pole | 5/16" x 1-1/2"      | 3-3/8"     | 3-1/2"   | 11529<br>JA2P217<br>JA2S149    | 4     |
| 1/15 | 1630 | 1      | 115         | 2.1         | <b>9631</b>    | CCWLE    | Shaded Pole | 5/16" x 1-1/2"      | 3-3/8"     | 3-5/8"   | E206444<br>JA2Y031             | 4,6   |
| 1/15 | 1550 | 1      | 208-230     | 1.2         | <b>9632</b>    | CCWLE    | Shaded Pole | 5/16" x 1-1/2"      | 3-3/8"     | 3-5/8"   | E206445<br>JA2Y030             | 4,6   |
| 1/15 | 1640 | 1      | 115         | 0.7         | <b>9633</b>    | CCWLE    | Included    | 5/16" x 1-1/2"      | 3-3/8"     | 3-5/8"   | JE2F029<br>E206447             | 4,6   |
| 1/15 | 1640 | 1      | 208-230     | 0.3         | <b>9634</b>    | CCWLE    | Included    | 5/16" x 1-1/2"      | 3-3/8"     | 3-5/8"   | JE2F030<br>E206448             | 4,6   |
| 1/2  | 1140 | 1      | 460/208-230 | .95/2.0-1.9 | <b>OKR1096</b> | REV      | 3 Phase     | 5/8" x 2"           | 6-1/2"     | 9-1/4"   | 150372<br>11096                | 118   |
| 1    | 850  | 1      | 460/200-230 | 2.0/4.4-4.0 | <b>OKR1503</b> | REV      | 3 Phase     | 5/8" x 3-1/4"       | 6-1/2"     | 10-1/4"  | 151437<br>11503                | 368   |

**Notes:**

- 4. Supplied with lead and plug assembly
- 6. 60/50 HZ
- 118. TEAO
- 368. Inverter Duty



**Kramer Trenton**

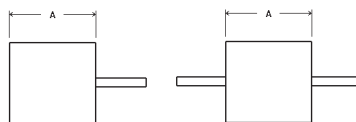


| HP   | RPM  | Speeds | Volts       | Amps         | Stock Number | Rotation | Capacitor   | Shaft Dia. & Length | Motor Dia. | "A" Dim. | Cross Reference                               | Notes     |
|------|------|--------|-------------|--------------|--------------|----------|-------------|---------------------|------------|----------|---|-----------|
| 1/20 | 1450 | 1      | 208/230     | 1.1          | 396          | CCWLE    | Shaded Pole | 5/16" x 2-1/2"      | 3-3/8"     | 3-1.4"   |   | 4         |
| 1/12 | 1050 | 1      | 115/230     | 2.7/1.3      | 469          | CCWLE    | Shaded Pole | 1/2" x 3-3/8"       | 5"         | 3-1/2"   | DA3G096 & 097                                 |           |
| 1/4  | 1075 | 1      | 115/208     | 3.0/1.5      | OKT1026      | CCWLE    | Included    | 1/2" x 2-1/2"       | 5-5/8"     | 4-7/8"   | 3128  | 2,6       |
|      |      |        |             |              |              |          |             |                     |            |          | 5KCP35KG144S<br>5KCP35KG554S<br>5KCP39KGC100T |           |
| 1/3  | 1075 | 1      | 115/208-230 | 6.3/2.8-3.15 | OKT3035      | CCWOSE   | Included    | 1/2" x 3-1/2"       | 5-5/8"     | 6-9/16"  | 03035   | 2         |
|      |      |        |             |              |              |          |             |                     |            |          | 5KCP35MN34S<br>5KCP9MGC055T<br>5KCP36MG1385   |           |
| 1/2  | 1075 | 1      | 208-230     | 4.3          | OKT3041      | CCWOSE   | Included    | 1/2" x 3-1/2"       | 5-5/8"     | 7-1/4"   | 03041   | 2,184,201 |
|      |      |        |             |              |              |          |             |                     |            |          | 5KCP37PN244S<br>5KCP37PG244S<br>5KCP39PGC054T |           |
| 3/4  | 1075 | 1      | 208-230/460 | 4.3-4.2/2.1  | C662         | REV      | Included    | 5/8" x 2-1/2"       | 6-1/2"     | 10-1/4"  | 047-104,047-099,<br>048-004                   | 2         |

**Notes:**

- 2. Ball bearing
- 4. Supplied with lead and plug assembly
- 6. 60/50 HZ
- 184. Leads exit on shaft end
- 201. Four studs on a 5.16 diameter bolt circle

**Larkin Coil (see Heatcraft)**



# O.E.M. - Direct Replacement

## Lear Siegler



9646

| HP  | RPM  | Speeds | Volts | Amps | Stock Number | Rotation | Capacitor   | Shaft Dia. & Length | Motor Dia. | "A" Dim. | Cross Reference | Notes |
|-----|------|--------|-------|------|--------------|----------|-------------|---------------------|------------|----------|-----------------|-------|
| 1/8 | 1050 | 1      | 115   | 4.2  | 9646         | CCWLE    | Shaded Pole | 1/2" x 2-7/8"       | 5"         | 3-3/4"   |                 |       |

## Lennox



9484



9485



9496



9403



964



OLE1026



442C

| HP          | RPM      | Speeds | Volts   | Amps        | Stock Number | Rotation | Capacitor   | Shaft Dia. & Length | Motor Dia. | "A" Dim. | Cross Reference  | Notes |
|-------------|----------|--------|---------|-------------|--------------|----------|-------------|---------------------|------------|----------|--|-------|
| 1/15        | 3400     | 1      | 120     | 0.85        | 964          | CCWLE    | 3MFD/300VAC | 1-5/16" x 1-1/2"    | 3-3/8"     | 4-5/8"   | 44471<br>JF1F059   |       |
| 1/15        | 1050     | 1      | 208-230 | .6          | 9484         | CWLE     | 4MFD/370VAC | 5/16 x 3/8 x 2-5/8" | 4-5/16"    | 3-3/4"   | Lennox P-8-9584  |       |
| 1/12        | 1050/875 | 2      | 208-230 | .8/1.5      | 9485         | CCWLE    | 4MFD/370VAC | 3/8" x 2-1/2"       | 4-5/16"    | 3-3/4"   | Lennox P-8-9585  |       |
| 1/10        | 3000     | 1      | 208-230 | .55         | 9496         | CCWLE    | Included    | Blower              | 3-3/8"     | 8-3/8"   | 28G6601, JF1E021   |       |
| 1/5~1/6~1/8 | 1075     | 3      | 115     | 6.4-4.8-3.7 | 9403         | CCWLE    | Shaded Pole | 1/2" x 3"           | 5"         | 4"       | GE5KSP29KK1542S<br>FASCO D1030<br>P-8-3789, P-8-3790,<br>P-8-3529. P-8-3527,<br>P-8-9662 |       |
| 1/6         | 1075     | 1      | 208-230 | 0.95        | 442C         | REV      | 5MFD/370V   | 1/2" x 5-1/2"       | 5-5/8"     | 3.74     | P-8-3132<br>K55HXB MJ1121<br>8053  |       |
| 1/4         | 1075     | 1      | 230     | 2.1         | OLE1026      | CCWLE    | 4MFD/370V   | 1/2" x 3-1/2"       | 5-5/8"     | 4"       | P-8-2702<br>D814<br>8054   |       |

**Lennox**



OLE1038,  
OLE1038V1



OLE1036A



OLG1036



OLE1106,  
OLE1106H



9406A



9405A,  
OLE1036H

| HP                     | RPM  | Speeds | Volts   | Amps                    | Stock Number     | Rotation | Capacitor   | Shaft Dia. & Length  | Motor Dia. | "A" Dim. | Cross Reference   | Notes |
|------------------------|------|--------|---------|-------------------------|------------------|----------|-------------|----------------------|------------|----------|---|-------|
| 1/3                    | 825  | 1      | 230     | 2.8                     | <b>OLE1038</b>   | REV      | 4MFD/370V   | 1/2" x 3-7/16"       | 5-5/8"     | 5-7/8"   | 3050<br>5KCP39PG9701S<br>5KCP39PG3490S<br>D2817<br>D2017  |       |
| 1/3                    | 825  | 1      | 230     | 2.1                     | <b>OLE1038V1</b> | CCWLE    | 4MFD/370V   | 1/2" x 3-1/2"        | 5-5/8"     | 5-3/4"   | 5KCP39NGC119S<br>5KCP39NGL5715<br>3501<br>3591  | 2     |
| 1/3                    | 1075 | 4      | 115     | 6.0                     | <b>OLE1036A</b>  | CCWLE    | 5MFD/370V   | 1/2" x 5-1/8"        | 5-5/8"     | 4-1/8"   | P-8-7505<br>P-8-9450<br>41A4201<br>3082<br>F48SJ6MA21<br>F48SL6M7<br>5KCP39HG9174AS<br>321P267<br>K55HXENB-2994 |       |
| 1/3                    | 1075 | 1      | 208-230 | 2.0                     | <b>OLG1036</b>   | CCWLE    | 5MFD/370V   | 1/2" x 3-3/4"        | 5-5/8"     | 4-3/8"   | 3044<br>5KCP39HGD766T<br>5KCP39HD9530S<br>K7994<br>3592<br>K55FCM3264<br>P-8-8041                               | 36    |
| 1/3                    | 1075 | 4      | 208-230 | 2.6                     | <b>OLE1036H</b>  | CCWLE    | 7.5MFD/370V | 1/2" x 3"            | 5-5/8"     | 4-5/8"   | 5KCP39HG9546S<br>5KCP39HGK020T<br>3087<br>P-8-8609  |       |
| 3/4~1/2~1/3<br>1/4~1/5 | 1075 | 5      | 115     | 9.7-7.7-<br>6.4-4.7-3.5 | <b>9405A</b>     | CCWLE    | 40MFD/370V  | 1/2" X 3-1/8"        | 5-5/8"     | 5-3/8"   | 28F0101<br>EM K55HXNNZ7057<br>GE 5KCP39PGD852AS   | 2     |
| 3/4~1/2~1/3            | 1075 | 3      | 208-230 | 6.6-3.7-2.5             | <b>9406A</b>     | CCWLE    | 10MFD/370V  | 6-1/2" X 5/8"X5-1/4" | 5-3/4"     | 6-1/4"   | 31C8201<br>EM K55HXRYT-818  | 2     |
| 1                      | 1075 | 1      | 230     | 5.0                     | <b>OLE1106</b>   | CCWLE    | 20MFD/370V  | 5/8" X 4"            | 5-5/8"     | 5-7/8"   | 88C7401   | 2     |
| 1                      | 1075 | 1      | 460     | 2.9                     | <b>OLE1106H</b>  | CCWLE    | 15MFD/370V  | 5/8" X 4"            | 5-5/8"     | 6-1/2"   | 88C7301   | 2     |

**Notes:**

- 2. Ball bearing
- 36. Lug mount

# O.E.M. - Direct Replacement

## Liebert



| HP  | RPM  | Speeds | Volts       | Amps        | Stock Number | Rotation | Capacitor | Shaft Dia. & Length | Motor Dia. | "A" Dim. | Cross Reference    | Notes      |
|-----|------|--------|-------------|-------------|--------------|----------|-----------|---------------------|------------|----------|--------------------|------------|
| 3/4 | 1100 | 1      | 208-230/460 | 4.8-4.2/2.1 | C663         | CCWLE    | Included  | 5/8" x 4"           | 6-1/2"     | 10-3/8"  | B-095D<br>S89-084* | 59,241,266 |

\* K63HXEFY-4599 K63HXDFK-3912 K63HXEBD-4498 KCP48TG181S KCP49UG192S 8-184787-01

## Lomanco



| HP   | RPM  | Speeds | Volts | Amps | Stock Number | Rotation | Capacitor   | Shaft Dia. & Length | Motor Dia. | "A" Dim. | Cross Reference | Notes |
|------|------|--------|-------|------|--------------|----------|-------------|---------------------|------------|----------|-----------------|-------|
| 1/10 | 1550 | 1      | 115   | 4.4  | OLM6151      | CCWLE    | Shaded Pole | 1/2" x 2"           | 5"         | 2-7/8"   | 322P151         |       |

## Magic Chef



| HP  | RPM  | Speeds | Volts   | Amps | Stock Number | Rotation | Capacitor | Shaft Dia. & Length | Motor Dia. | "A" Dim. | Cross Reference   | Notes |
|-----|------|--------|---------|------|--------------|----------|-----------|---------------------|------------|----------|---|-------|
| 1/5 | 1075 | 1      | 208-230 | 1.5  | OMC6517      | CWLE     | 5MFD/370V | 1/2" x 3-3/8"       | 5"         | 4-1/8"   | F42B59A01<br>35035B001                                  |       |
| 1/4 | 1075 | 1      | 208-230 | 1.5  | 691          | CWLE     | 5MFD/370V | 1/2" x 2-3/4"       | 5"         | 5-1/4"   | 322P859<br>FASCO D1091, 35035B001<br>CJK 15,18,24,30,36 |       |

## McQuay



| HP                 | RPM  | Speeds | Volts   | Amps      | Stock Number | Rotation | Capacitor   | Shaft Dia. & Length    | Motor Dia. | "A" Dim. | Cross Reference               | Notes |
|--------------------|------|--------|---------|-----------|--------------|----------|-------------|------------------------|------------|----------|-------------------------------|-------|
| 1/15               | 1550 | 1      | 115/230 | 1.9-9     | 342          | CCWLE    | Shaded Pole | 5/16" x 2-1/2"         | 3-3/8"     | 3-3/4"   | BA2H015                       |       |
| 1/15~<br>1/25~1/35 | 1000 | 3      | 115     | 1.5-1.0-8 | 9400         | CCWLE    | 4MFD/370V   | 5-5/8" x 3/8" x 5-5/8" | 3-3/8"     | 4-5/8"   | FASCO D1141<br>879-382563B-00 |       |

### Notes:

- 59. Suitable for use with low ambient speed control
- 241. Capacitor and rainshield included
- 266. 50 Hz; 190/380 Volt; 925 RPM



Mid Continent



| HP   | RPM  | Speeds | Volts | Amps | Stock Number | Rotation | Capacitor   | Shaft Dia. & Length | Motor Dia. | "A" Dim. | Cross Reference | Notes |
|------|------|--------|-------|------|--------------|----------|-------------|---------------------|------------|----------|-----------------|-------|
| 1/30 | 3000 | 1      | 115   | 1.1  | 357          | CCWLE    | Shaded Pole | 1/4" x 1-1/2"       | 3-3/8"     | 4-3/4"   | JA1M069NV       |       |
| 1/30 | 1550 | 1      | 115   | .97  | 400          | CCWSE    | Shaded Pole | 5/16" x 3-1/4"      | 3-3/8"     | 2-3/4"   | AA2P026N        |       |

Miller



| HP   | RPM  | Speeds | Volts | Amps | Stock Number | Rotation | Capacitor   | Shaft Dia. & Length | Motor Dia. | "A" Dim. | Cross Reference | Notes |
|------|------|--------|-------|------|--------------|----------|-------------|---------------------|------------|----------|-----------------|-------|
| 1/50 | 3000 | 1      | 115   | .77  | 512A         | CWLE     | Shaded Pole | Blower              | 3-3/8"     | 7-5/8"   | 303875          | 2,6   |
| 1/40 | 3000 | 1      | 115   | .83  | 335          | CWLE     | Shaded Pole | 5/16" x 1-1/2"      | 3-3/8"     | 4-3/4"   | 301544          |       |
| 1/7  | 1050 | 1      | 115   | 5.2  | 326          | CCWLE    | Shaded Pole | 1/2" x 3-1/4"       | 5"         | 3-1/2"   | 301543          | 4     |
| 1/5  | 1070 | 1      | 115   | 4.8  | 689          | CCWLE    | Shaded Pole | 1/2" x 5-3/4"       | 5"         | 3-3/4"   | 305313          |       |

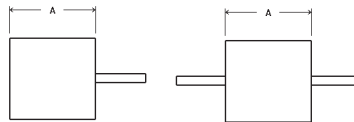
Miller/LSI/



| HP  | RPM  | Speeds | Volts | Amps | Stock Number | Rotation | Capacitor   | Shaft Dia. & Length | Motor Dia. | "A" Dim. | Cross Reference                                       | Notes |
|-----|------|--------|-------|------|--------------|----------|-------------|---------------------|------------|----------|---|-------|
| 1/7 | 1050 | 1      | 115   | 4.7  | OML6418      | CCWLE    | Shaded Pole | 1/2" x 3-1/2"       | 5"         | 3 3/8"   | 326<br>D156<br>3M601<br>322P260<br>DA3F053<br>DA3F623 | 4     |
| 1/5 | 1050 | 1      | 115   | 4.0  | OML6433      | CCWLE    | Shaded Pole | 1/2" x 5-7/8"       | 5"         | 3-7/8"   |   | 254   |
| 1/5 | 1050 | 1      | 115   | 6.6  | OML6435      | CCWLE    | Shaded Pole | 1/2" x 3-5/8"       | 5"         | 3-7/8"   |   | 304   |

Notes:

- 2. Ball bearing
- 4. Supplied with lead and plug assembly
- 6. 60/50 HZ
- 254. 8.26" bolt circle; .28" diameter mounting holes
- 304. 10.19" bolt circle; .28" diameter mounting holes



# O.E.M. - Direct Replacement

## Nordyne



| HP   | RPM  | Speeds | Volts | Amps | Stock Number   | Rotation | Capacitor   | Shaft Dia. & Length | Motor Dia. | "A" Dim. | Cross Reference    | Notes   |
|------|------|--------|-------|------|----------------|----------|-------------|---------------------|------------|----------|--------------------|---------|
| 1/8  | 1050 | 1      | 115   | 6.0  | <b>ONR6406</b> | CCWLE    | Shaded Pole | 1/2" x 3-7/8"       | 5"         | 3-5/8"   | 326P113<br>6208670 | 304     |
| 1/5  | 1050 | 1      | 115   | 6.5  | <b>ONR6026</b> | CCWLE    | Shaded Pole | 1/2" x 3-3/4"       | 5"         | 4-1/8"   | 326P203<br>6210810 | 110     |
| 1/5  | 1050 | 1      | 115   | 6.6  | <b>OML6435</b> | CCWLE    | Shaded Pole | 1/2" x 3-5/8"       | 5"         | 3-7/8"   |                    | 304,332 |
| 1/4  | 1050 | 1      | 115   | 6.2  | <b>942</b>     | CCWLE    | 7.5MFD/370V | 1/2" x 3-3/4"       | 5"         | 4"       |                    |         |
| 1/40 | 1500 | 1      | 115   | .8   | <b>9623</b>    | CWLE     | Shaded Pole | 5/16" x 2-1/2"      | 3-3/8"     | 5-1/2"   | JA2N218<br>6210806 |         |

## Nutone



| HP         | RPM  | Speeds | Volts | Amps    | Stock Number | Rotation | Capacitor   | Shaft Dia. & Length | Motor Dia. | "A" Dim. | Cross Reference | Notes |
|------------|------|--------|-------|---------|--------------|----------|-------------|---------------------|------------|----------|-----------------|-------|
| 1/100      | 1550 | 1      | 115   | .73     | <b>692</b>   | CCWLE    | Shaded Pole | 1/4" x 2-1/4"       | 3-3/8"     | 2"       |                 | 4     |
| 1/100      | 1550 | 1      | 115   | .73     | <b>693</b>   | CWLE     | Shaded Pole | 1/4" x 2-1/4"       | 3-3/8"     | 2"       |                 | 4     |
| 1/88       | 1320 | 1      | 115   | .6      | <b>636</b>   | CCWLE    | Shaded Pole | 1/4" x 1-1/4"       | 3-3/8"     | 2"       | 30434           | 4     |
| 1/80       | 3000 | 1      | 115   | .55     | <b>541</b>   | CCWLE    | Shaded Pole | 1/4" x 2"           | 3-3/8"     | 2-1/2"   | 16653           |       |
| 1/75       | 1550 | 1      | 115   | .6      | <b>637</b>   | CWLE     | Shaded Pole | 1/4" x 1-3/16"      | 3-3/8"     | 2-1/8"   | 53581           | 4     |
| 1/70       | 1550 | 1      | 115   | .60     | <b>509</b>   | CWLE     | Shaded Pole | 1/4" x 1-1/4"       | 3-3/8"     | 2-1/8"   | 23405, 23388    | 4     |
| 1/70       | 1550 | 1      | 115   | .60     | <b>510</b>   | CWLE     | Shaded Pole | 1/4" x 2-1/4"       | 3-3/8"     | 2-1/8"   | 26750, 26761    | 4     |
| 1/50~1/100 | 2800 | 2      | 115   | .65-.44 | <b>496</b>   | CCWLE    | Shaded Pole | 1/4" x 1-1/4"       | 3-3/8"     | 2-1/2"   | 26733           |       |
| 1/10       | 1550 | 1      | 115   | 3.15    | <b>621</b>   | CWLE     | Shaded Pole | 5/16" x 1-1/2"      | 3-3/8"     | 3-7/8"   | 67176, 32997    | 2     |

**Notes:**

- 2. Ball bearing
- 4. Supplied with lead and plug assembly
- 110. Two mounting holes in each bracket for a 9" and for a 10.18" bolt circle
- 304. 10.19" bolt circle; .28" diameter mounting holes
- 332. No connector plug, leads only

## PennVent



975, OPV400206



OPV343



OPV346



OPV746



OPV747



OPV748

| HP   | RPM        | Speeds | Volts | Amps          | Stock Number | Rotation   | Capacitor   | Shaft Dia. & Length | Motor Dia. | "A" Dim. | Cross Reference          | Notes |
|------|------------|--------|-------|---------------|--------------|------------|-------------|---------------------|------------|----------|--------------------------|-------|
| 1/20 | 1045       | 1      | 115   | 2.3           | 975          | CCWLE      | Shaded Pole | 3/8" x 2-1/4"       | 5"         | 3"       | D1036 (FASCO)<br>S88-916 |       |
| 1/40 | 1050       | 1      | 115   | 1.1           | OPV400206    | CCWLE      | Shaded Pole | 3/8" x 2-1/4"       | 5"         | 3"       | D340, Z-6                | 2,4   |
| 1/6  | 1550       |        | 115   | 2.1/ 1.9/ 1.4 | OPV748       | CCWLE-CWSE |             | 1/2" x 2-3/5"       | 5"         | 4-1/4"   | DE2F7088-T<br>63748-0    |       |
| 1/12 | 1300       |        |       |               |              |            |             |                     |            |          |                          |       |
| 1/20 | 1050       |        |       |               |              |            |             |                     |            |          |                          |       |
| 1/7  | 1500       |        | 115   | 2.5/ 2.1/ 1.6 | OPV747       | CCWLE-CWSE |             | 1/2" x 2-1/2"       | 5"         | 4-1/4"   | DE2F7085-T<br>63747-0    |       |
| 1/11 | 1300       |        |       |               |              |            |             |                     |            |          |                          |       |
| 1/25 | 1050       |        |       |               |              |            |             |                     |            |          |                          |       |
| 1/12 | 1550/1300  |        | 115   | 1.5/ 0.9      | OPV746       | CCWLE-CWSE |             | 1/3" x 3-1/3"       | 3.3"       | 3-5/6"   | JE2H7057-T<br>63746-0    |       |
| .027 | 1550/10500 |        | 115   | 1.4/ 0.6      | OPV343       | CCWLE-CWSE |             | 1/3" x 5-3/4"       | 3.3"       | 2-1/4"   | JA2M414-T<br>56343-0     |       |
| .075 | 1550/10500 |        | 115   | 3.6/ 2.5      | OPV346       | CCWLE-CWSE |             | 1/3" x 5-1/3"       | 3.3"       | 4-2/3"   | JE2K007-T<br>56346-0     |       |

## Reznor



990, 991

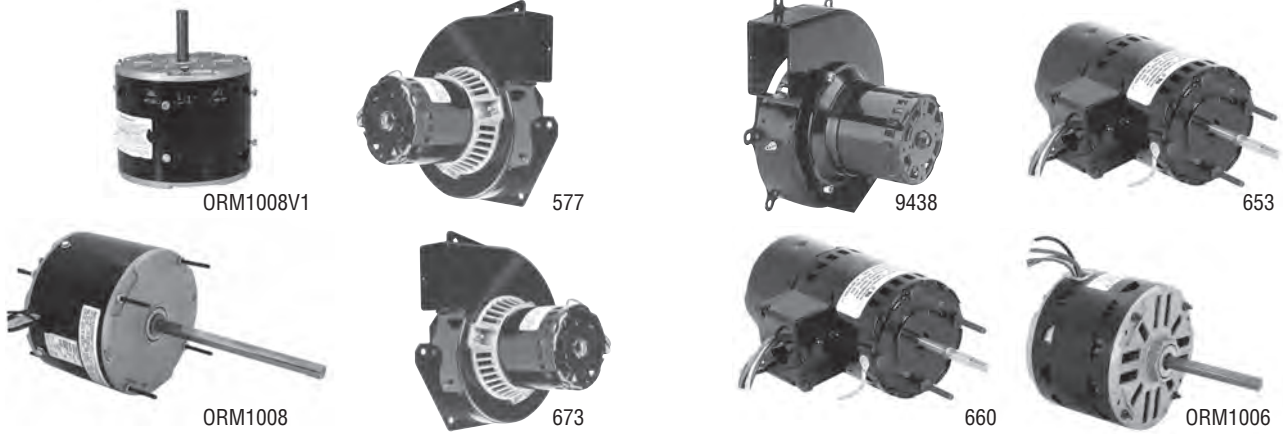
| HP   | RPM  | Speeds | Volts   | Amps | Stock Number | Rotation | Capacitor | Shaft Dia. & Length | Motor Dia. | "A" Dim. | Cross Reference | Notes    |
|------|------|--------|---------|------|--------------|----------|-----------|---------------------|------------|----------|-----------------|----------|
| 1/10 | 3200 | 1      | 208-230 | .63  | 990          | REV      | Included  | 5/16" x 3-1/4"      | 3-3/8"     | 4-3/8"   | D404            | 2,68,239 |
| 1/10 | 3200 | 1      | 115     | 1.5  | 991          | REV      | Included  | 5/16" x 3-1/4"      | 3-3/8"     | 4-1/4"   | D405            | 2,68,239 |

### Notes:

- 2. Ball bearing
- 4. Supplied with lead and plug assembly
- 68. PSC motor
- 239. Capacitor attached

# O.E.M. - Direct Replacement

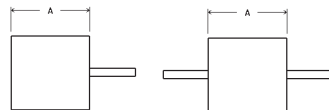
## Rheem-Ruud



| HP   | RPM       | Speeds | Volts   | Amps    | Stock Number | Rotation | Capacitor   | Shaft Dia. & Length | Motor Dia. | "A" Dim. | Cross Reference  | Notes |
|------|-----------|--------|---------|---------|--------------|----------|-------------|---------------------|------------|----------|--|-------|
| 1/50 | 3000      | 1      | 115     | 1.0     | 577          | CWLE     | Shaded Pole | Blower              | 3-3/8"     | 5-1/2"   | 21504-01-04  |       |
| 1/50 | 3000      | 1      | 115     | 1.0     | 673          | CCWLE    | Shaded Pole | Blower              | 3-3/8"     | 2-3/4"   | 51-21504-01  |       |
| 1/50 | 2975      | 1      | 115     | 1.1     | 9438         | CCWLE    | Shaded Pole | Blower              | 3-3/8"     | 5-3/4"   | 70-21496-01  | 190   |
| 1/20 | 3000/3450 | 1      | 230/460 | 1.0/.51 | 653          | CWLE     | Shaded Pole | 1/4" x 2-1/4"       | 3-3/8"     | 6"       | JB1R040, 042   | 2     |
| 1/15 | 3000/3450 | 1      | 230/460 | 1.0/.51 | 660          | CCWLE    | Shaded Pole | 1/4" x 2-1/4"       | 3-3/8"     | 6"       | 51-42006-03  | 2,18  |
| 1/8  | 1075      | 1      | 230     | .73     | ORM1006      | CCWLE    | 5MFD/370V   | 1/2" x 3"           | 5-5/8"     | 3-1/2"   | 51-20671-01<br>F55HXCWT-1579<br>3484   |       |
| 1/8  | 825       | 2      | 208-230 | 1.4     | ORM1008V1    | CCWLE    | 5MFD/370V   | 1/2" x 2-5/8"       | 5-5/8"     | 3-7/8"   | 51-23101-05  | 6,42  |
| 1/8  | 825       | 1      | 208-230 | .7      | ORM1008      | REV      | 5MFD/370V   | 1/2" x 4-13/16"     | 5-5/8"     | 4-3/16"  | 21276-01   | 40    |
|      |           |        |         |         |              |          |             |                     |            |          | 21276-02, 20763-01<br>KA55HXPAM-7253<br>KA55HXPAM-7255<br>K55HXMFG68350, K9735<br>5KCP39GGD121BS |       |

**Notes:**

- 2. Ball bearing
- 6. 60/50 HZ
- 18. Includes 1/4-5/16" bushing
- 40. Four mounting holes in shell
- 42. Eight mounting holes in shell
- 190. Includes pilot light detector



Continues on next page

**Rheem-Ruud**

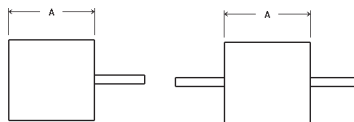


| HP  | RPM  | Speeds | Volts   | Amps    | Stock Number | Rotation | Capacitor   | Shaft Dia. & Length | Motor Dia. | "A" Dim. | Cross Reference  | Notes |
|-----|------|--------|---------|---------|--------------|----------|-------------|---------------------|------------|----------|--|-------|
| 1/6 | 825  | 1      | 208-230 | 1.0     | 629A         | REV      | 5MFD/370V   | 1/2" x 6"           | 5-5/8"     | 4-1/4"   | 51-20760-11  | 40    |
| 1/6 | 1075 | 1      | 208-230 | .80-.95 | OCA1016      | CCWLE    | 3MFD/370V   | 1/2" x 3-5/8"       | 5-5/8"     | 3-5/8"   | 5453, K55JGH-2667  |       |
| 1/6 | 1075 | 1      | 208-230 | .8-.9   | ORM1016V1    | CCWLE    | 3MFD/370V   | 1/2" x 3-3/4"       | 5-5/8"     | 3-5/8"   | 3222<br>5KCP39BGN253S<br>5KCP39BGP085S<br>51-21853-01  | 40    |
| 1/5 | 1075 | 2      | 208-230 | 1.1     | ORM1016      | REV      | 5MFD/370V   | 1/2" x 5-1/2"       | 5-5/8"     | 3-3/4"   | 20682-01<br>20673-01, 20675-01<br>K55HXMBZ06560<br>K136<br>8735660130<br>442, 82673  | 40    |
| 1/5 | 825  | 1      | 208-230 | 1.4-1.3 | 795A         | REV      | see notes   | 1/2" x 3-5/8"       | 5-5/8"     | 4-1/4"   | 51-23055-12<br>3153  | 40,50 |
| 1/5 | 1075 | 1      | 208-230 | 1.4     | ORM10206V1   | REV      | 3MFD/370V   | 1/2" x 4-1/4"       | 5-5/8"     | 3-7/8"   | 5484<br>KA55HXMPT-6557<br>51-20672-01, 51-20673-01<br>51-20674-01, 51-20675-01<br>51-20679-01, 51-20680-01<br>51-20681-01, 51-20682-01<br>51-21826-01, 51-21827-01<br>51-21828-01, 51-21829-01<br>51-21830-01, 51-21831-01 | 40    |
| 1/4 | 1075 | 1      | 208-230 | 1.6     | ORM1026      | REV      | 5MFD/370V   | 1/2" x 5-1/2"       | 5-5/8"     | 4"       | 51-21185-01<br>51-20761-01<br>5KCP39FGD117BS<br>5KCP39GGE879AS<br>437  | 40    |
| 1/4 | 1075 | 3      | 115     | 5.8     | ORM1026L     | CCWLE    | 10MFD/370V  | 1/2" x 3"           | 5-5/8"     | 4-3/8"   | 51-20550-01<br>K1549<br>KA55HXJYZ-5490   |       |
| 1/4 | 825  | 2      | 208-230 | 2.0     | ORM1028      | CCWLE    | 7.5MFD/370V | 1/2" x 3-3/8"       | 5-5/8"     | 4-3/8"   | 51-23103-06<br>51-21543-01   | 42    |

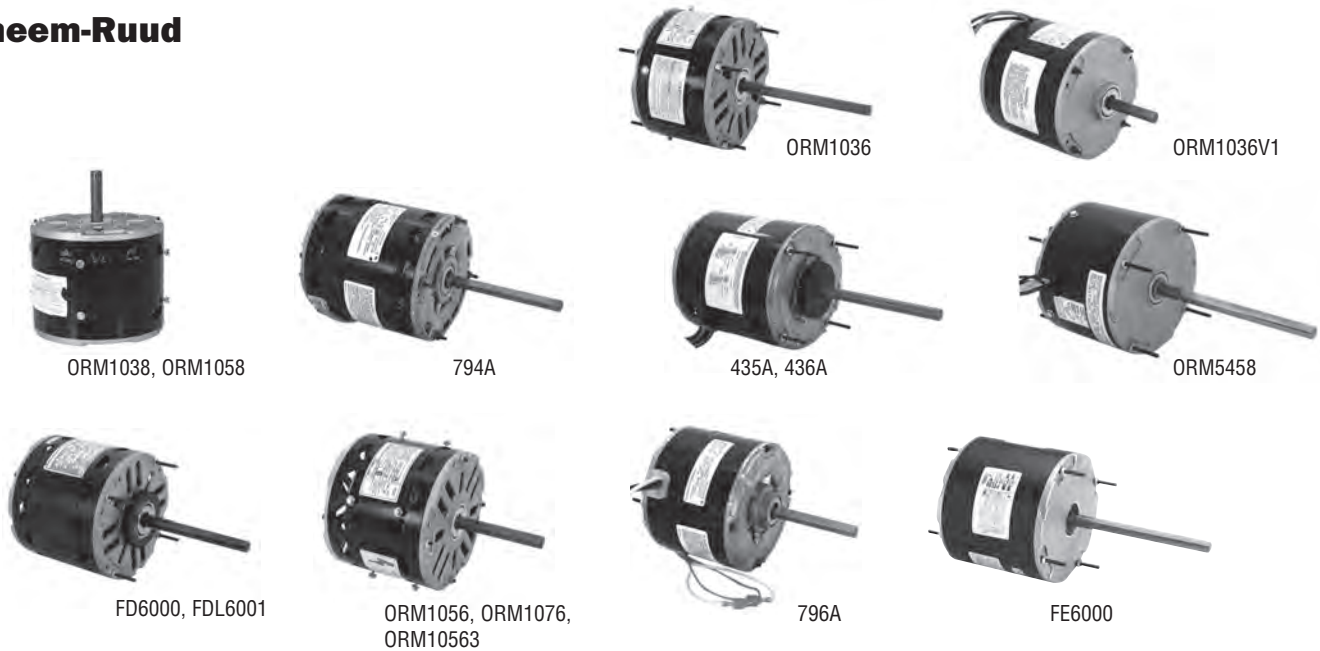
**Notes:**

- 40. Four mounting holes in shell
- 42. Eight mounting holes in shell
- 50. 5MFD/370V @ 230V, 7.5MFD/370V @ 208V

Continues on next page



Rheem-Ruud



| HP                  | RPM  | Speeds | Volts   | Amps                 | Stock Number | Rotation | Capacitor   | Shaft Dia. & Length | Motor Dia. | "A" Dim. | Cross Reference   | Notes          |
|---------------------|------|--------|---------|----------------------|--------------|----------|-------------|---------------------|------------|----------|---|----------------|
| 1/3                 | 1075 | 1      | 208-230 | 2.2                  | ORM1036      | REV      | 7.5MFD/370V | 1/2" x 5-1/2"       | 5-5/8"     | 4-3/8"   | 51-20688-01<br>87360, 60130   |                |
| 1/3                 | 1075 | 1      | 208-230 | 1.5-1.8              | ORM1036V1    | CCWLE    | 5MFD/370V   | 1/2" x 3-1/4"       | 5-5/8"     | 4-3/8"   | 51-21189-01<br>KA55HZRGR-7898   | 118            |
| 1/3                 | 825  | 2      | 208-230 | 2.8                  | ORM1038      | CCWLE    | 10MFD/370V  | 1/2" x 2-1/8"       | 5-5/8"     | 4-5/8"   | 51-23103-07   | 42             |
| 1/3                 | 1075 | 1      | 460     | 0.9                  | 796A         | REV      | 5MFD/370V   | 1/2" x 4-1/8"       | 5-5/8"     | 4-5/8"   | 51-21853-84   | 40             |
| 1/3                 | 1075 | 1      | 460     | 1.0                  | 436A         | REV      | 5MFD/370V   | 1/2" x 6"           | 5-5/8"     | 4-3/4"   | 51-20468-01   | 2,7            |
| 1/3~1/5             | 1075 | 2      | 208-230 | 2.8-1.7              | FE6000F      | REV      | 7.5MFD/370V | 1/2" x 6"           | 5-5/8"     | 4-7/8"   | 51-23053-21   | 1,2,206        |
| 1/3                 | 1075 | 1      | 208-230 | 2.0                  | ORM5458      | REV      | 7.5MFD/370V | 1/2" x 6-5/8"       | 5-5/8"     | 4-1/8"   | K55HXTDD-8385<br>5458<br>51-20668-11<br>51-23055-11<br>51-20354-11<br>51-23053-11 | 29,<br>40,280  |
| 1/2                 | 1075 | 4      | 115     | 7.0                  | FDL6001A     | REV      | 10MFD/370V  | 1/2" x 5"           | 5-5/8"     | 4-7/8"   | 51-23012-41   | 206            |
| 1/2                 | 1075 | 4      | 115     | 5.7                  | ORM1056      | CCWLE    | 7.5MFD/370V | 1/2" x 3-1/2"       | 5-5/8"     | 4-5/8"   | F48C45A94<br>51-22873-01  | 42             |
| 1/2                 | 825  | 1      | 208-230 | 3.4                  | ORM1058      | CCWLE    | 15MFD/370V  | 1/2" x 3-1/4"       | 5-5/8"     | 4-7/8"   | 51-23103-08<br>51-23101-08  | 6,42           |
| 1/2                 | 1075 | 1      | 460     | 1.7                  | 435A         | REV      | 7.5MFD/370V | 1/2" x 6"           | 5-5/8"     | 5-1/8"   | 51-20470-01   | 2,7            |
| 1/2                 | 1075 | 3      | 115     | 5.9                  | ORM10563     | CCWLE    | 7.5MFD/370V | 1/2" X 3-3/4"       | 5-5/8"     | 4-1/2"   | 51-22686-01   |                |
| 1/2                 | 1075 | 4      | 208-230 | 3.9                  | FD6000       | REV      | 10MFD/370V  | 1/2" x 5"           | 5-5/8"     | 4-7/8"   | 51-23022-41   | 206            |
| 3/4                 | 1075 | 4      | 115     | 10.5                 | ORM1076      | REV      | 15MFD/370V  | 1/2" x 5"           | 5-5/8"     | 5-5/8"   | F48C47A94<br>51-22859-01  | 2,42           |
| 3/4~1/2~<br>1/3~1/4 | 1075 | 4      | 115     | 11.5-9.0-<br>6.1-4.2 | 794A         | REV      | 15MFD/370V  | 1/2" x 5"           | 5-5/8"     | 6"       | 51-23017-41   | 42 <b>New!</b> |

- Notes:
- Item to be discontinued when stock is depleted
  - Ball bearing
  6. 60/50 HZ
  - Resilient mounting rings included
  - Has hex mounting hub on both ends for cradle base mounting
  - 60°C Ambient
  - Four mounting holes in shell
  - Eight mounting holes in shell
  - TEAO
  - For additional information see page 73
  - 4 in 1 Multi-horsepower motor, replaces 1/3-1/4-1/5-1/6 HP



**RV Products**



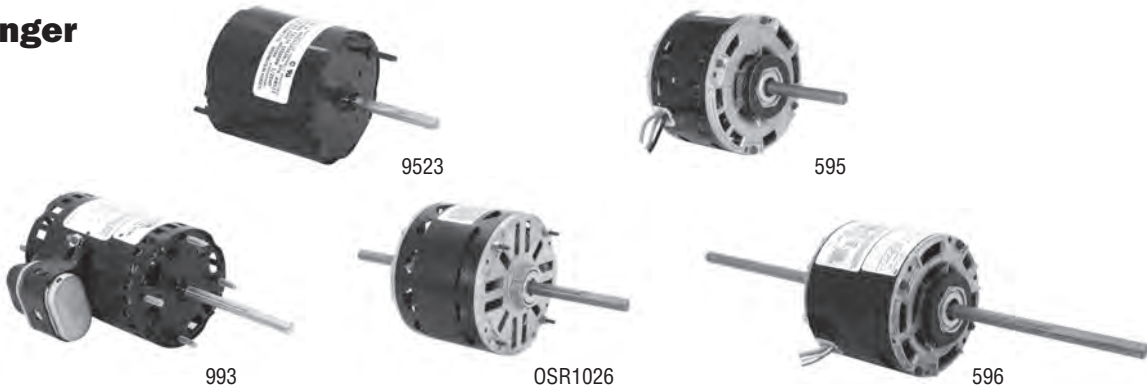
| HP  | RPM  | Speeds | Volts | Amps | Stock Number | Rotation | Capacitor                       | Shaft Dia. & Length | Motor Dia. | "A" Dim. | Cross Reference          | Notes |
|-----|------|--------|-------|------|--------------|----------|---------------------------------|---------------------|------------|----------|--------------------------|-------|
| 1/5 | 1650 | 3      | 115   | 2.5  | ORV4540      | CCWLE    | 5MFD/370V                       | 4 x 1/2 x 2-1/2"    | 5"         | 3-7/8"   | F42C40A61<br>3105054.005 |       |
| 1/4 | 1625 | 1      | 115   | 2.8  | ORV4537      | CWLE     | 7.5MFD/370V5-1/2 x 1/2 x 5-1/4" | 5"                  | 5"         | 3-5/8"   | 6747A311                 |       |
| 1/4 | 1625 | 2      | 115   | 3.1  | ORV4538      | CWLE     | 7.5MFD/370V5-3/4 x 1/2 x 5-3/4" | 5"                  | 5"         | 3-5/8"   | 6757B311                 |       |
| 1/3 | 1675 | 2      | 115   | 3.4  | ORV4539      | CWLE     | 7.5MFD/370V7-1/8 x 1/2 x 3-1/2" | 5"                  | 5"         | 3-7/8"   | F42B50A01<br>1468A304    |       |

**Schaefer**



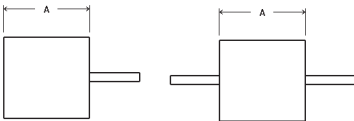
| HP  | RPM  | Speeds | Volts   | Amps    | Stock Number | Rotation | Capacitor | Shaft Dia. & Length | Motor Dia. | "A" Dim. | Cross Reference  | Notes |
|-----|------|--------|---------|---------|--------------|----------|-----------|---------------------|------------|----------|------------------|-------|
| 1/3 | 1725 | 1      | 115/230 | 3.0/1.5 | 970A         | CCWLE    | Included  | 1/2" x 2-1/2"       | 5-5/8"     | 6-3/8"   | HF2J031          | 6     |
| 1/2 | 840  | 1      | 115/230 | 6.1/3.1 | 969A         | CCWLE    | Included  | 5/8" x 2-5/8"       | 5-5/8"     | 8-1/4"   | HF4U007<br>CS802 | 118   |

**Singer**



| HP            | RPM  | Speeds | Volts   | Amps        | Stock Number | Rotation | Capacitor   | Shaft Dia. & Length | Motor Dia. | "A" Dim. | Cross Reference           | Notes |
|---------------|------|--------|---------|-------------|--------------|----------|-------------|---------------------|------------|----------|---------------------------|-------|
| 1/25          | 1550 | 1      | 115/230 | 1.6/0.8     | 9523         | CCWLE    | Shaded Pole | 5/16" x 2-1/2"      | 3-3/8"     | 3-1/8"   | Fasco D1164               |       |
| 1/8~1/12~1/14 | 1075 | 3      | 277     | .83-.59-.49 | 595          | REV      | 5MFD/370V   | 1/2" x 6-1/2"       | 5"         | 3-3/4"   | K47HT-605                 |       |
| 1/8~1/12~1/14 | 1075 | 3      | 277     | .83-.59-.49 | 596          | CCWLE    | 5MFD/370V   | 9" x 1/2" x 9"      | 5"         | 3-1/2"   | K47HY-605                 |       |
| 1/10          | 1550 | 1      | 230     | 1.0         | 993          | REV      | Included    | 5/16" x 3-3/4"      | 3-3/8"     | 4-7/8"   | 7071059                   |       |
| 1/4           | 1025 | 3      | 208-230 | 2.0         | OSR1026      | CWLE     | 7.5MFD/370V | 4-1/2x1/2x4-1/8"    | 5-5/8"     | 4-3/8"   | 2024246<br>8745<br>860190 |       |

Notes:  
6. 60/50 HZ  
118. TEAO



# O.E.M. - Direct Replacement

## Sterling Radiator



| HP   | RPM  | Speeds | Volts | Amps | Stock Number | Rotation | Capacitor   | Shaft Dia. & Length | Motor Dia. | "A" Dim. | Cross Reference   | Notes |
|------|------|--------|-------|------|--------------|----------|-------------|---------------------|------------|----------|-------------------|-------|
| 1/20 | 1050 | 1      | 115   | 1.7  | 978          | CCWLE    | Shaded Pole | 3/8" x 3"           | 5"         | 4-1/4"   | 7151-2951<br>D242 |       |

## Tecumseh



| HP   | RPM  | Speeds | Volts | Amps | Stock Number | Rotation | Capacitor   | Shaft Dia. & Length | Motor Dia. | "A" Dim. | Cross Reference                               | Notes |
|------|------|--------|-------|------|--------------|----------|-------------|---------------------|------------|----------|---|-------|
| 1/20 | 1500 | 1      | 230   | 1.1  | OTC6004      | CCWSE    | Shaded Pole | 5/16" x 2-1/2"      | 5"         | 3-1/16"  | 810S037B01<br>326P137                         | 6     |
| 1/15 | 1550 | 1      | 460   | .6   | 981          | CCWSE    | Shaded Pole | 5/16" x 2-1/2"      | 3-3/8"     | 4-1/4"   | 810G037A47<br>Fasco D475<br>GE 5KSP11FG1197CS | 184   |
| 1/15 | 1500 | 1      | 230   | 1.3  | OTC6001      | CCWLE    | Shaded Pole | 5/16" x 2-3/4"      | 5"         | 3-1/16"  | 810S050A99<br>326P136                         | 6     |
| 1/12 | 1500 | 1      | 230   | 1.3  | 9487         | CCWSE    | Shaded Pole | 5/16" x 2-1/8"      | 3-3/8"     | 4-7/8"   | TFM262<br>810E026A81<br>EM F33HXDJ-3668       | 6     |
| 1/4  | 1625 | 1      | 230   | 1.9  | OTC1862      | CWLE     | Included    | 1/2" x 2-3/4"       | 5-5/8"     | 4-3/8"   | TFM1862<br>8330<br>KA55HXKGD8330              | 2,6   |
| 1/4  | 1625 | 1      | 460   |      | OTC1864      | CWLE     | Included    | 1/2" x 2-3/4"       | 5-5/8"     | 4-3/8"   | TFM1864<br>8331<br>KA55HGE8331                | 2,6   |

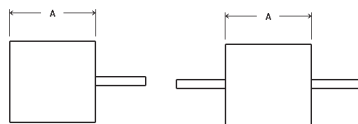
## Thermador (Trade Wind)



| HP   | RPM  | Speeds | Volts | Amps | Stock Number | Rotation | Capacitor   | Shaft Dia. & Length     | Motor Dia. | "A" Dim. | Cross Reference | Notes |
|------|------|--------|-------|------|--------------|----------|-------------|-------------------------|------------|----------|-----------------|-------|
| 1/25 | 1550 | 1      | 115   | 2.1  | 324          | CWLE     | Shaded Pole | 1-7/8" x 5/16" x 1-7/8" | 3-3/8"     | 3"       | 19-09-215       | 6     |
| 1/15 | 1550 | 1      | 115   | 3.0  | 02           | CWLE     | Shaded Pole | 1-7/8" x 5/16" x 2"     | 3-3/8"     | 3"       | 19-09-239       |       |

**Notes:**

- 2. Ball bearing
- 6. 60/50 HZ
- 184. Lead exit is on shaft end

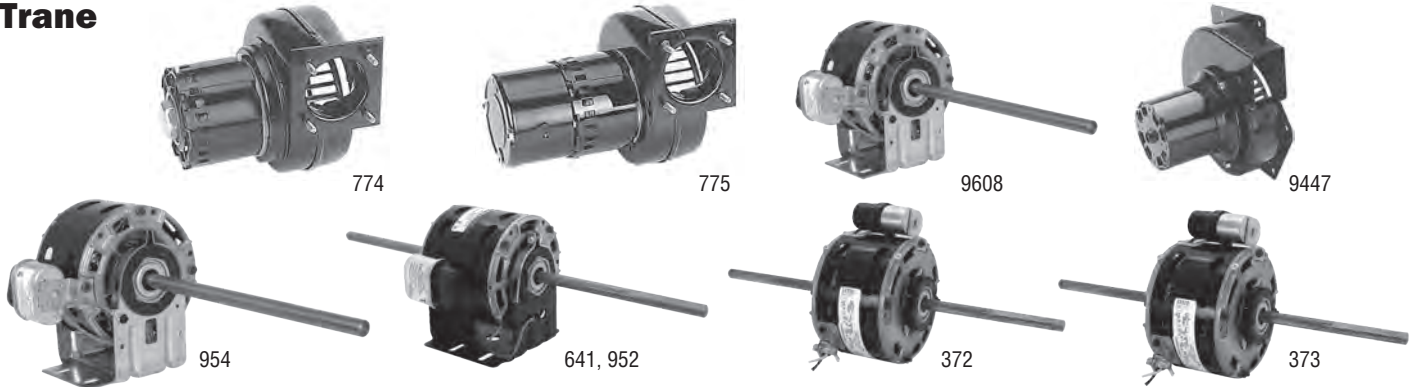


## Titus



| HP  | RPM  | Speeds | Volts | Amps | Stock Number | Rotation | Capacitor  | Shaft Dia. & Length | Motor Dia. | "A" Dim. | Cross Reference | Notes  |
|-----|------|--------|-------|------|--------------|----------|------------|---------------------|------------|----------|-----------------|--------|
| 1/2 | 1075 | 1      | 277   | 2.8  | 9435V1A      | REV      | 10MFD/370V | 1/2" x 4-1/2"       | 5-5/8"     | 5"       | 5KCP39MG692S    | 79,110 |

## Trane

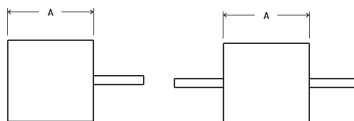


| HP                   | RPM      | Speeds | Volts   | Amps        | Stock Number | Rotation | Capacitor   | Shaft Dia. & Length    | Motor Dia. | "A" Dim. | Cross Reference  | Notes |
|----------------------|----------|--------|---------|-------------|--------------|----------|-------------|------------------------|------------|----------|--|-------|
| 1/50~1/100           | 3290     | 2      | 115     | 1.3-.47     | 773          | CWLE     | Shaded Pole | 1-1/4 x 5/16 x 1-1/8"  | 3-3/8"     | 3-3/4"   | 21C138391P01<br>BLU040K, BLU050K<br>BLU080K<br>Fasco D1175 | 1,2   |
| 1/50                 | 3000     | 1      | 208-240 | .42         | 774          | CWLE     | Shaded Pole | Blower                 | 3-3/8"     | 5-1/2"   | X38040252-02<br>Fasco A069                                 |       |
| 1/50                 | 3000     | 1      | 230     | .54         | 775          | CWLE     | Shaded Pole | Blower                 | 3-3/8"     | 7-1/8"   | X38050005<br>Fasco A075                                    | 2     |
| 1/30~1/150<br>~1/200 | 1100     | 3      | 115     | .6-.2-.2    | 954          | CWLE     | Included    | 1/2" x 8-1/2"          | 5"         | 4"       | X70500149-01-7<br>MOT 1878<br>MOT-1875<br>EM K48HXBHY-954  |       |
| 1/30~1/100<br>~1/200 | 1100     | 3      | 115     | .74-.31-.22 | 952          | CWLE     | Included    | 8-1/2" x 1/2" x 9"     | 5"         | 3-3/4"   | EM K48XBJP-969<br>X70500149-03-7<br>MOT-1876               |       |
| 1/30~1/60<br>~1/125  | 1075     | 3      | 115     | .5-.4-.3    | 641          | CWLE     | Included    | 8-1/2 x 1/2 x 8-1/2"   | 5"         | 3-1/2"   | X70500133-01<br>UE DE3E152                                 |       |
| 1/30                 | 1100/500 | 2      | 115     | .60-.64     | 373          | CWLE     | Included    | 10-1/2 x 1/2 x 10-1/2" | 5"         | 4-1/4"   | Fan Coil   |       |
| 1/30                 | 3000     | 1      | 208-230 | 0.6         | 9447         | CWLE     | Shaded Pole | Blower                 | 3-3/8"     | 5-1/2"   | 7021-7833<br>FASCO A150                                    |       |
| 1/25                 | 1060/500 | 2      | 115     | .60-.64     | 372          | CWLE     | Included    | 11 x 1/2 x 11"         | 5"         | 3-1/2"   | Fan Coil   |       |
| 1/20~1/75<br>~1/120  | 1100     | 3      | 115     | .60-.30-.23 | 9608         | REV      | Included    | 1/2 x 9-7/8"           | 5"         | 3-1/4"   | X70500149-02<br>MOT-1875<br>EM K48HXBHZ955                 |       |

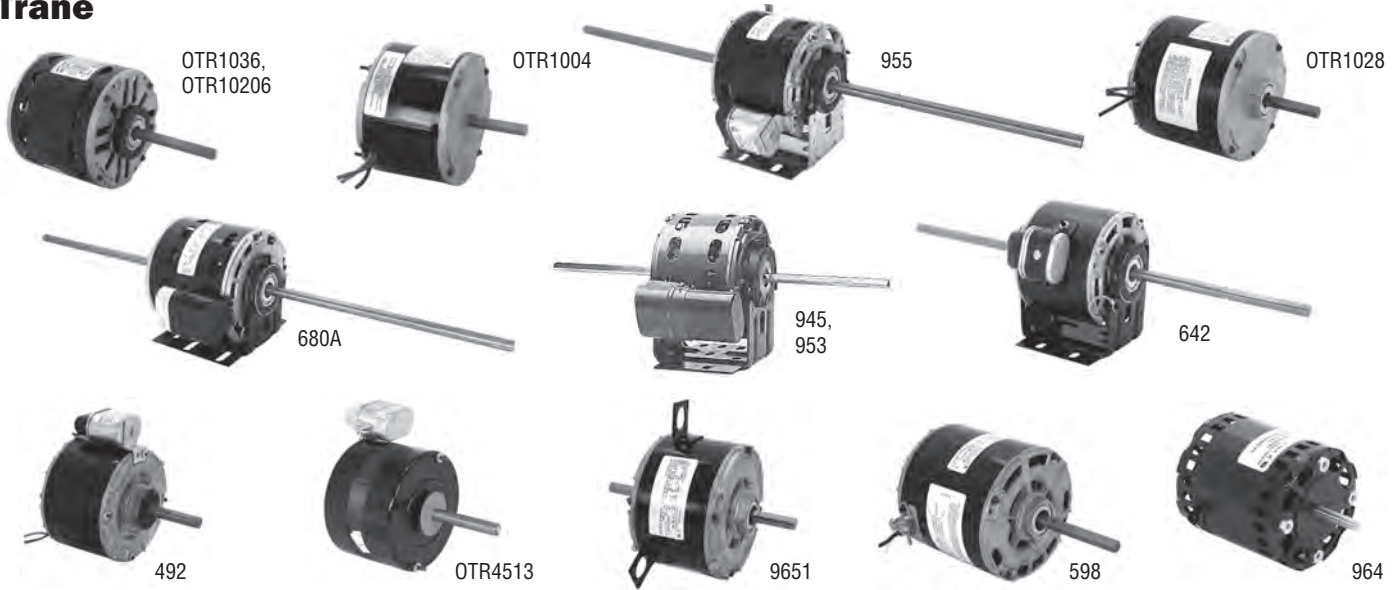
**Notes:**

- Item to be discontinued when stock is depleted
- Ball bearing
- Leadless design
- Two mounting holes in each bracket for a 9" or 10.18" bolt circle

Continues on next page

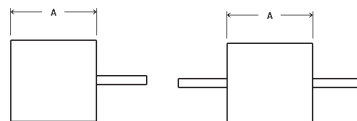


## Trane



| HP                 | RPM  | Speeds | Volts   | Amps        | Stock Number | Rotation | Capacitor    | Shaft Dia. & Length    | Motor Dia. | "A" Dim. | Cross Reference  | Notes |
|--------------------|------|--------|---------|-------------|--------------|----------|--------------|------------------------|------------|----------|--|-------|
| 1/15               | 3400 | 1      | 120     | 0.85        | 964          | CCWLE    | 3MFD/300V    | 5/16 x 1-1/2"          | 3-3/8"     | 4-5/8"   | 44471<br>JF1F059   | 2     |
| 1/15~1/45<br>~1/60 | 1100 | 3      | 115     | .8-.5-.35   | 953          | CWLE     | Included     | 10-3/4 x 1/2 x 10-7/8" | 5"         | 3-3/4"   | X70 500149-04-7<br>MOT 1877<br>EM K48HBJA-956              |       |
| 1/8~1/20<br>~1/30  | 1500 | 3      | 115     | 1.2-.7-.4   | 945          | CWLE     | Included     | 9 x 1/2 x 7-1/2"       | 5"         | 4"       | X70 500149-11-7<br>MOT 1978, MOT 481<br>EM K48HXCKT -1419  |       |
| 1/8                | 775  | 3      | 115     | 1.5         | 680A         | CCWLE    | Included     | 11-1/2 x 1/2 x 11-1/2" | 5-5/8"     | 5"       | MOT-711  |       |
| 1/8                | 1550 | 1      | 230     | 1.9         | 598          | CCWLE    | Shaded Pole  | 1/2 x 3"               | 5"         | 4-1/4"   | 5KSP29DK1728S  | 193   |
| 1/8                | 1550 | 1      | 230     | 1.1         | 492          | CCWLE    | Included     | 1/2 x 3"               | 5"         | 3-1/2"   | 5KSP29DK1728S  | 193   |
| 1/8                | 1550 | 1      | 208-240 | .8-.9       | OTR4513      | CCWLE    | Included     | 1/2" x 3-1/8"          | 5"         | 3-3/8"   | D1050<br>3438<br>5KSP29DK1728S<br>322P815                  | 193   |
| 1/8                | 1650 | 1      | 200-230 | .7-.9       | OTR1004      | CCWLE    | 4MFD/370V    | 1/2 x 1-1/2"           | 5-5/8"     | 3-5/8"   | 3D149098P01<br>1673<br>K55DJK-6905                         |       |
| 1/6~1/12<br>~1/20  | 1500 | 3      | 115     | 2.0-1.1-.68 | 955          | CWLE     | Included     | 10-1/2 x 1/2 x 10-1/2" | 5"         | 4"       | X70 500149-12-7<br>MOT-1979<br>MOT-482<br>EM K48HXCKS-1418 |       |
| 1/5~1/6<br>~1/8    | 1075 | 3      | 265     | 1.3-.74-.68 | 9651         | CWLE     | 4MFD/370V    | 2-1/2x1/2x2-1/2        | 5-5/8"     | 3-7/8"   | 5KCP39DGK013T<br>5KCP39EG5967S<br>3077                     | 36    |
| 1/5                | 1075 | 4      | 115     | 2.3         | OTR10206     | CCWLE    | 10MFD/370V   | 1/2 x 3-1/2"           | 5-5/8"     | 4-1/8"   | D340086P02   | 7     |
| 1/4~1/8<br>~1/20   | 1475 | 3      | 277     | 1.1-1.0-.7  | 642          | CWLE     | Included     | 8 x 1/2" x 8"          | 5"         | 4"       | 115V<br>UE DE2G101   |       |
| 1/4                | 825  | 1      | 200-230 | 1.4-1.5     | OTR1028      | CCWLE    | 12.5MFD/370V | 1/2 x 2-1/2"           | 5-5/8"     | 4-5/8"   | 3D146983P01<br>1674<br>K55DJL-6906                         |       |
| 1/3                | 1075 | 4      | 115     | 6.8         | OTR1036      | CCWLE    | 10MFD/370V   | 1/2 x 3"               | 5-5/8"     | 4-7/8"   | D340126P02   |       |

- Notes:  
 2. Ball bearing  
 7. Resilient mounting rings included  
 36. Lug mount  
 193. Includes former GE brand equipment



**Triangle Engineering**



OTEB2054A

| HP  | RPM  | Speeds | Volts | Amps | Stock Number | Rotation | Capacitor   | Shaft Dia. & Length | Motor Dia. | "A" Dim. | Cross Reference                                 | Notes |
|-----|------|--------|-------|------|--------------|----------|-------------|---------------------|------------|----------|---|-------|
| 1/2 | 1725 | 1      | 115   | 8.0  | OTEB2054A    | CWLE     | Split Phase | 1/2" x 2-5/8"       | 6-1/2"     | 5-3/8"   | S56A19A97<br>S56A33A97<br>S56A62A97<br>OTE2054A |       |

**Tuttle and Bailey**



394

| HP   | RPM  | Speeds | Volts | Amps | Stock Number | Rotation | Capacitor   | Shaft Dia. & Length | Motor Dia. | "A" Dim. | Cross Reference | Notes |
|------|------|--------|-------|------|--------------|----------|-------------|---------------------|------------|----------|-----------------|-------|
| 1/15 | 1050 | 1      | 115   | 2.2  | 394          | CWSE     | Shaded Pole | 3/8" x 3"           | 4-5/16"    | 5"       | CB3J016N        | 2     |

**Tyler**



OTY1024

| HP  | RPM  | Speeds | Volts | Amps | Stock Number | Rotation | Capacitor | Shaft Dia. & Length | Motor Dia. | "A" Dim. | Cross Reference  | Notes       |
|-----|------|--------|-------|------|--------------|----------|-----------|---------------------|------------|----------|--|-------------|
| 1/4 | 1625 | 1      | 230   | 1.9  | OTY1024      | CCWLE    | Included  | 1/2" x 3"           | 5-5/8"     | 4-5/8"   | 760<br>D870, 03042<br>5KCP39EGC053T<br>5KCP39EG755S<br>5KCP39EN81S<br>X270 | 2,7,193,350 |

**Unilux**



799

| HP                              | RPM  | Speeds | Volts | Amps                    | Stock Number | Rotation | Capacitor | Shaft Dia. & Length | Motor Dia. | "A" Dim. | Cross Reference                                    | Notes |
|---------------------------------|------|--------|-------|-------------------------|--------------|----------|-----------|---------------------|------------|----------|--|-------|
| 1/8~1/10<br>~1/15~<br>1/20~1/30 | 1000 | 5      | 115   | 2.6-2.1-1.8-<br>1.0-0.7 | 799          | CCWLE    | Included  | 1/2" x 5"           | 5"         | 3-3/4"   | L350, L450, L600<br>UE DA3E200<br>DA3F100, DA3G142 | 110   |

**Wagner**



332

| HP        | RPM  | Speeds | Volts | Amps    | Stock Number | Rotation | Capacitor   | Shaft Dia. & Length | Motor Dia. | "A" Dim. | Cross Reference | Notes |
|-----------|------|--------|-------|---------|--------------|----------|-------------|---------------------|------------|----------|-----------------|-------|
| 1/20~1/30 | 1000 | 2      | 115   | 2.2-1.1 | 332          | CCWLE    | Shaded Pole | 3/8" x 2-7/8"       | 4-5/16"    | 4"       | 42-8869502      | 14    |

**Notes:**

- 2. Ball bearing
- 7. Resilient mounting rings included
- 14. Totally enclosed non-ventilated
- 110. Two mounting holes in each bracket for a 9" or 10.18" bolt circle
- 193. Includes former GE brand equipment
- 350. Conduit connector included

# O.E.M. - Direct Replacement

## Weil McLain



658

| HP   | RPM  | Speeds | Volts | Amps | Stock Number | Rotation | Capacitor   | Shaft Dia. & Length | Motor Dia. | "A" Dim. | Cross Reference | Notes |
|------|------|--------|-------|------|--------------|----------|-------------|---------------------|------------|----------|-----------------|-------|
| 1/12 | 3170 | 1      | 115   | 2.3  | 658          | CCWLE    | Shaded Pole | 5/16" x 1-3/4"      | 3-3/8"     | 4-7/8"   | JA1N074         | 36    |

## White Westinghouse



OWW4514



OWW4515

| HP  | RPM  | Speeds | Volts   | Amps | Stock Number | Rotation | Capacitor | Shaft Dia. & Length | Motor Dia. | "A" Dim. | Cross Reference | Notes |
|-----|------|--------|---------|------|--------------|----------|-----------|---------------------|------------|----------|-----------------|-------|
| 1/4 | 1330 | 2      | 208-230 | 1.6  | OWW4514      | CCWLE    | 5MFD/370V | 2-3/4x1/2x1-5/8"    | 5"         | 3-3/8"   |                 |       |
| 1/3 | 1450 | 3      | 208-230 | 2.5  | OWW4515      | CCWLE    | see notes | 5-1/8x1/2x2-1/4"    | 5"         | 4-1/8"   |                 | 258   |

## Westinghouse

"Halo Mount" Gasket Seals Enclosure



OWW6516



467A



667



RAB1034S

| HP           | RPM  | Speeds | Volts   | Amps        | Stock Number | Rotation | Capacitor   | Shaft Dia. & Length  | Motor Dia. | "A" Dim. | Cross Reference | Notes |
|--------------|------|--------|---------|-------------|--------------|----------|-------------|----------------------|------------|----------|-----------------|-------|
| 1/5          | 1075 | 1      | 208-230 | 1.5         | OWW6516      | REV      | 7.5MFD/370V | 1/2 x 4-1/4"         | 5"         | 3-5/8"   |                 |       |
| 1/5~1/8~1/10 | 1625 | 3      | 208-230 | 1.0-.76-.61 | 467A         | CCWLE    | 5MFD/370V   | 9-5/8 x 1/2 x 9-5/8" | 5"         | 4"       | 319P367A        |       |
| 1/5          | 1075 | 1      | 208-230 | 1.5         | 667          | REV      | 7.5MFD/370V | 1/2 x 4-1/4"         | 5"         | 4"       | D262            |       |
| 1/3          | 1625 | 1      | 208-240 | 2.4         | RAB1034S     | CCWLE    | Included    | 7-1/8 x 1/2 x 6-1/2" | 5-5/8"     | 5-7/8"   | 3122            | 6     |

5KCP32GG167S  
5KCP32GG210S  
5KCP32GG258S  
5KCP39GGB907T

## Westinghouse/Whisperaire



OWW4517

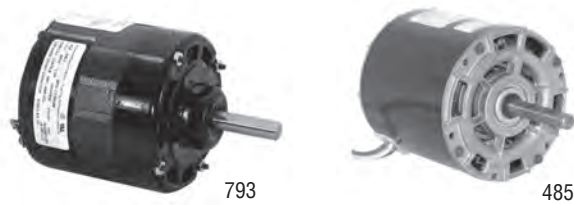
| HP  | RPM  | Speeds | Volts   | Amps | Stock Number | Rotation | Capacitor | Shaft Dia. & Length    | Motor Dia. | "A" Dim. | Cross Reference | Notes |
|-----|------|--------|---------|------|--------------|----------|-----------|------------------------|------------|----------|-----------------|-------|
| 1/3 | 1625 | 1      | 208-230 | 2.3  | OWW4517      | CCWLE    | 6MFD/370V | 7-3/16 x 1/2 x 7-3/16" | 5"         | 4-1/16"  |                 | 6     |

**Notes:**

6. 60/50 HZ      36. Lug mount      258. 6MFD/370V @ 230V; 8MFD/370V @ 208V



**Whalen Co. (300 CFM Blowers)**



| HP             | RPM  | Speeds | Volts | Amps      | Stock Number | Rotation | Capacitor | Shaft Dia. & Length | Motor Dia. | "A" Dim. | Cross Reference  | Notes |
|----------------|------|--------|-------|-----------|--------------|----------|-----------|---------------------|------------|----------|------------------|-------|
| 1/15~1/20~1/40 | 1060 | 3      | 115   | 1.2-.9-.7 | 793          | REV      | 6MFD/370V | 1/2" x 2-5/16"      | 4-5/16"    | 4-1/8"   | CE3FO25 & 004597 |       |
| 1/20~1/35      | 1050 | 2      | 115   | .94-.54   | 485          | REV      | 4MFD/370V | 1/2" x 2-3/4"       | 5"         | 31/4"    | DA3D060 & 061    |       |

**Whirlpool**



| HP        | RPM  | Speeds | Volts | Amps    | Stock Number | Rotation | Capacitor   | Shaft Dia. & Length | Motor Dia. | "A" Dim. | Cross Reference | Notes |
|-----------|------|--------|-------|---------|--------------|----------|-------------|---------------------|------------|----------|-----------------|-------|
| 1/60~1/75 | 1550 | 2      | 115   | .74-.50 | 597          | CCWLE    | Shaded Pole | 5/16" x 1-5/16"     | 3-3/8"     | 2-1/4"   | 999765, 998810  | 14    |

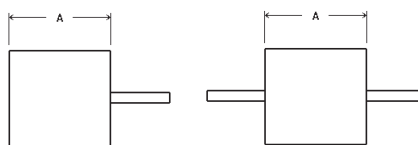
**Whirlpool/Sears**



OWL1006, OWR1036

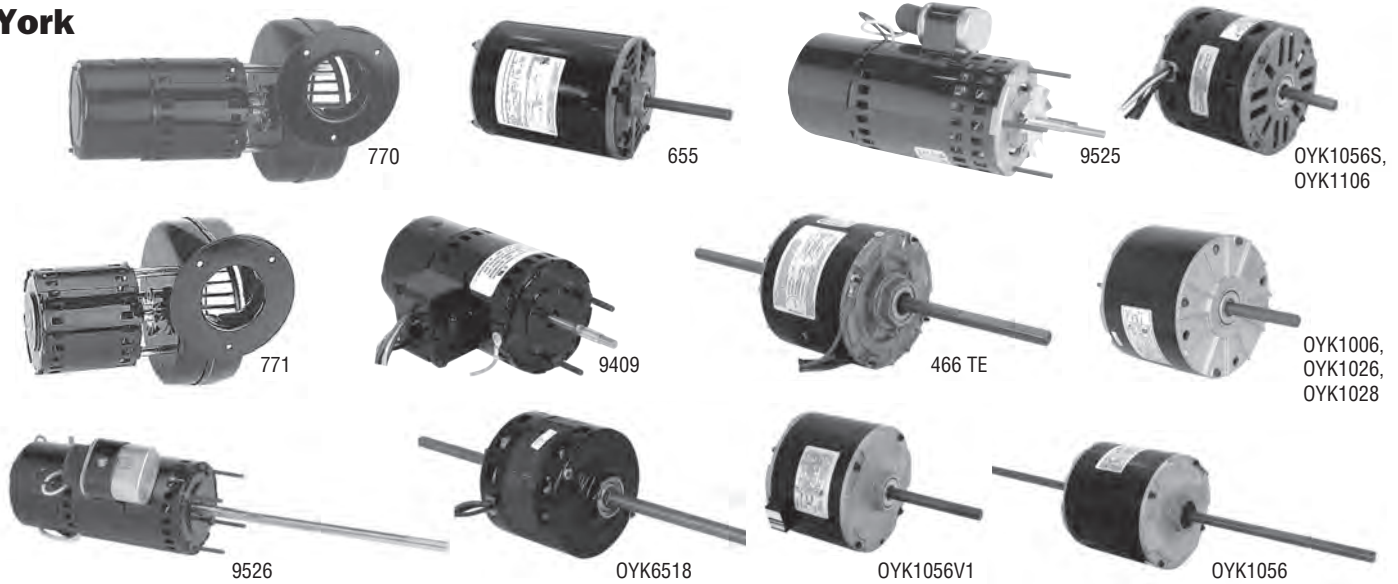
| HP  | RPM  | Speeds | Volts   | Amps | Stock Number | Rotation | Capacitor | Shaft Dia. & Length   | Motor Dia. | "A" Dim. | Cross Reference   | Notes |
|-----|------|--------|---------|------|--------------|----------|-----------|-----------------------|------------|----------|---|-------|
| 1/6 | 1100 | 3      | 208-230 | .9   | OWR1016      | CCWLE    | 5MFD/370V | 4-5/16 x 1/2 x 2-3/4" | 5-5/8"     | 3-7/8"   | D858<br>115   |       |
| 1/3 | 1100 | 3      | 208-230 | 1.5  | OWR1036      | CCWLE    | 5MFD/370V | 5-1/4 x 1/2 x 5-1/2"  | 5-5/8"     | 4"       | L-N-RE120<br>3078<br>RAK5108<br>80109<br>D859<br>3060<br>M-3-120<br>R181<br>5KCP39GG8158T<br>5KCP39GGBA332S |       |

Notes:  
14. Totally enclosed non-ventilated



# O.E.M. - Direct Replacement

## York



| HP      | RPM  | Speeds | Volts   | Amps    | Stock Number | Rotation | Capacitor   | Shaft Dia. & Length  | Motor Dia. | "A" Dim. | Cross Reference                                    | Notes |
|---------|------|--------|---------|---------|--------------|----------|-------------|----------------------|------------|----------|--|-------|
| 1/70    | 3000 | 1      | 208-230 | .49     | 770          | CWLE     | Shaded Pole | BLOWER               | 3-3/8"     | 5-1/2"   | 026-20224700                                       | 2     |
| 1/70    | 3000 | 1      | 208-230 | .49     | 771          | CWLE     | Shaded Pole | BLOWER               | 3-3/8"     | 3-1/4"   | 026-22234700                                       | 2     |
| 1/15    | 3000 | 1      | 460     | .7      | 9409         | CWLE     | Shaded Pole | 1/4" x 2-1/2"        | 3-3/8"     | 6-1/8"   | Fasco D1171  |       |
| 1/12    | 3400 | 1      | 460     | .3      | 9525         | CWLE     | Included    | 1/4" x 2-1/2"        | 3-3/8"     | 7"       | 024-24115-009                                      | 2     |
| 1/10    | 3400 | 1      | 460     | .36     | 9526         | CWLE     | Included    | 3/8" x 8-3/4"        | 3-3/8"     | 7-1/8"   | 024-25005-002                                      | 2     |
|         |      |        |         |         |              |          |             |                      |            |          | D1187<br>7162-3085                                 |       |
| 1/8     | 1075 | 1      | 208-230 | .8      | OYK1006      | CWLE     | 4MFD/370V   | 1/2" x 1-7/8"        | 5-5/8"     | 3-3/4"   | F48A85A50<br>3217<br>024-25100-000<br>024-2500-700 |       |
| 1/5     | 1075 | 1      | 208-230 | 1.4     | OYK6518      | CWLE     | 5MFD/370V   | 6-3/8 x 1/2 x 6-3/8" | 5"         | 3-7/8"   | 024-17774<br>2091<br>024-20795-700                 |       |
| 1/4~1/8 | 1075 | 2      | 208-230 | 1.4-1.2 | 466          | CWLE     | 5MFD/370V   | 6" x 1/2" x 6"       | 5"         | 4-1/4"   | MCE24, 30, 36                                      |       |
| 1/4     | 1075 | 1      | 208-230 | 1.3     | OYK1026      | CWLE     | 5MFD/370V   | 1/2" x 3"            | 5-5/8"     | 4"       | F48A45A50<br>3223<br>024-23294-000                 |       |
| 1/4     | 850  | 1      | 208-230 | 1.4     | OYK1028      | CWLE     | 5MFD/370V   | 1/2" x 3-1/8"        | 5-5/8"     | 4-7/16"  | F48B46A50<br>024-25119-000                         | 6     |
| 1/2     | 1100 | 1      | 230     | 4.3     | 655          | CWSE     | 5MFD/370V   | 1/2" x 4-1/4"        | 5-5/8"     | 7-1/4"   | A/C CONDENSER                                      | 1,2   |
| 1/2     | 1090 | 1      | 208-230 | 2.2-2.5 | OYK1056V1    | CWLE     | 7.5MFD/370V | 1/2" X 4"            | 5-5/8"     | 4-7/8"   | 5KCP39LGN418S<br>024-24110-001<br>W48A11T388       | 79    |
| 1/2     | 1110 | 3      | 115     | 9.8     | OYK1056S     | CCWLE    | 10MFD/370V  | 1/2" x 4-1/2"        | 5-5/8"     | 5-3/8"   | 5KCP39NGP941S<br>024-25113-001                     |       |
| 1/2     | 1050 | 1      | 230     | 4.3     | OYK1056      | CWLE     | 5MFD/370V   | 9-3/8x1/2x9-3/8"     | 5-5/8"     | 5-1/4"   | 024-17775<br>024-20797-700                         |       |
| 1       | 1075 | 3      | 115     | 12.9    | OYK1106      | CCWLE    | 15MFD/440V  | 1/2" X 3-1/2"        | 5-5/8"     | 5-7/8"   | 5KCP39PGN812S<br>024-23238-000<br>F48SU6V15        | 2     |

### Notes:

1. Item to be discontinued when stock is depleted
2. Ball bearing
6. 60/50 HZ
79. Leadless design

# Split Phase Resilient Base Motors

## Belt Drive and Blower Applications

### Features:

- Class B Insulation
- Continuous Duty
- Reversible
- 60 HZ



800



ARS2020L

**Applications:** Centrifugal Pumps, Blowers, Fans

| HP   | RPM  | Volts       | Full Load Amps | Service Factor | Frame | Stock Number | Bearings | Enclosure | Protector | "C" Dim. | "AG" Dim. | Notes  |
|------|------|-------------|----------------|----------------|-------|--------------|----------|-----------|-----------|----------|-----------|--------|
| 1/12 | 1140 | 115         | 2.69           | 1.40           | 48Z   | BF20086V1    | Ball     | ODP       | Auto      | 9.5      | 7.5       | New!   |
| 1/8  | 1140 | 115         | 3.3            | 1.40           | 48    | BF2006L      | Ball     | ODP       | Auto      | 10.2     | 8.3       | New!   |
| 1/8  | 850  | 115         | 4.4            | 1.40           | 56    | BF2008       | Ball     | ODP       | Auto      | 11.1     | 9.1       | 26     |
| 1/6  | 1725 | 115         | 5.1            | 1.35           | 48    | GF2014       | Sleeve   | Open      | Auto      | 8.9      | 7.3       | 92     |
| 1/6  | 1725 | 115         | 4.4            | 1.35           | 48    | 800          | Sleeve   | ODP       | None      | 9.5      | 8.0       | 1      |
| 1/6  | 1725 | 115         | 4.3            | 1.35           | 48    | RS2014L      | Sleeve   | Open      | None      | 8.9      | 7.3       |        |
| 1/6  | 1725 | 115         | 4.1            | 1.35           | 48Z   | 917L         | Ball     | ODP       | None      | 9.7      | 7.8       | 91     |
| 1/6  | 1725 | 115         | 5.1            | 1.35           | 48Z   | RB2014       | Ball     | Open      | Auto      | 9.3      | 7.4       | 274    |
| 1/6  | 1725 | 115         | 5.1            | 1.35           | 56Z   | RS2014       | Sleeve   | Open      | Auto      | 9.6      | 7.6       | 295    |
| 1/6  | 1725 | 115/208-230 | 2.8/1.4-1.4    | 1.00           | 48Y   | ARB2014L     | Ball     | TEAO      | Auto      | 8.8      | 7.3       | New!   |
| 1/6  | 1725 | 115/208-230 | 2.8/1.4-1.4    | 1.00           | 48Y   | ARB2014L2    | Ball     | TEAO      | None      | 8.8      | 7.2       | New!   |
| 1/6  | 1140 | 115         | 3.8            | 1.00           | 56Z   | ARB2016M     | Sleeve   | TEAO      | Manual    | 10.4     | 8.4       | 26,141 |
| 1/6  | 1140 | 115         | 3.8            | 1.35           | 48    | 815A         | Sleeve   | ODP       | Auto      | 9.9      | 8.3       | New!   |
| 1/6  | 1140 | 115         | 3.6            | 1.35           | 48    | 815V2        | Ball     | ODP       | None      | 10.2     | 8.3       | New!   |
| 1/6  | 1140 | 115/208-230 | 4.0/1.9-2.0    | 1.00           | 48    | ARB2016SV1   | Ball     | TEAO      | Auto      | 9.9      | 8.3       | New!   |
| 1/6  | 1140 | 115/208-230 | 4.0/1.9-2.0    | 1.00           | 48    | ARB2016SLV1  | Ball     | TEAO      | None      | 9.9      | 8.3       | New!   |
| 1/4  | 1725 | 115         | 5.5            | 1.00           | 48    | GF2020L      | Sleeve   | Open      | None      | 8.9      | 7.3       |        |
| 1/4  | 1725 | 115         | 4.2            | 1.00           | 48    | ARS2020L     | Sleeve   | TEAO      | None      | 9.4      | 7.8       |        |
| 1/4  | 1725 | 115         | 5.4            | 1.35           | 48    | GF2024       | Sleeve   | ODP       | Auto      | 9.2      | 7.5       | 92     |
| 1/4  | 1725 | 115         | 4.6            | 1.35           | 48Z   | 920L         | Ball     | ODP       | Auto      | 9.7      | 7.8       | 91     |
| 1/4  | 1725 | 115         | 5.1            | 1.35           | 48Z   | 919L         | Ball     | ODP       | None      | 9.6      | 7.6       | 91     |
| 1/4  | 1725 | 115         | 5.0            | 1.35           | 48    | RB2024       | Ball     | Open      | Auto      | 9.4      | 7.8       | 6      |
| 1/4  | 1725 | 115         | 3.1            | 1.00           | 48    | 904L         | Ball     | TENV      | Auto      | 10.3     | 8.7       | New!   |
| 1/4  | 1725 | 115         | 3.3            | 1.00           | 56Z   | ARB2024ML    | Ball     | TEAO      | Auto      | 9.7      | 7.8       | 26,100 |
| 1/4  | 1725 | 115         | 5.4            | 1.35           | 56Z   | RS2026       | Sleeve   | Open      | Auto      | 9.2      | 7.5       | 307    |
| 1/4  | 1725 | 115         | 4.3            | 1.00           | 56Z   | ARB2024M     | Sleeve   | TE        | Manual    | 10.1     | 8.1       | 26,100 |
| 1/4  | 1725 | 115/208-230 | 5.2/2.6        | 1.35           | 48    | GF2024D      | Sleeve   | Open      | Auto      | 9.2      | 7.5       | 92     |
| 1/4  | 1725 | 115/208-230 | 5.2/2.6        | 1.35           | 48    | BF2024       | Ball     | Open      | Auto      | 9.2      | 7.5       | 92,99  |
| 1/4  | 1725 | 115/208-230 | 3.3/1.7-1.7    | 1.00           | 48Y   | ARB2024L3    | Ball     | TEAO      | Auto      | 9.4      | 7.8       | 26     |
| 1/4  | 1725 | 115/208-230 | 3.3/1.7-1.7    | 1.00           | 48Y   | ARB2024L4    | Ball     | TEAO      | None      | 9.4      | 7.8       | 26     |
| 1/4  | 1140 | 115         | 5.0            | 1.00           | 56    | F341         | Ball     | TEFC      | None      | 12.6     | 10.7      |        |
| 1/4  | 1140 | 115         | 5.7            | 1.35           | 56    | RB2026L      | Ball     | Open      | None      | 10.8     | 8.8       |        |
| 1/4  | 1140 | 115         | 5.0            | 1.35           | 56    | F340         | Ball     | ODP       | None      | 11.1     | 9.1       |        |
| 1/4  | 1140 | 115         | 5.6            | 1.35           | 56    | RB2026       | Ball     | Open      | Auto      | 10.8     | 8.8       | 26     |
| 1/4  | 1140 | 115/208-230 | 6.2/2.8-3.1    | 1.00           | 48Y   | ARB2026SV1   | Ball     | TEAO      | Auto      | 10.2     | 8.5       | New!   |
| 1/4  | 1140 | 115/208-230 | 6.2/2.8-3.1    | 1.00           | 48Y   | ARB2026SLV1  | Ball     | TEAO      | None      | 10.2     | 8.5       | New!   |

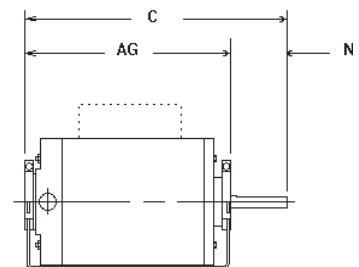
### Notes:

- Item to be discontinued when stock is depleted
- Extended thru bolts, shaft end only
- 5/8" extended thru bolts, 1-7/8" shaft length and 1/2" shaft dia.
- 48/56 FR = 1/2" x 1.5" Shaft with 5/8" shaft adapter - 48/56 slotted 3" height base
- 1/2" extended thru bolts, shaft end
- 1/2" diameter shaft
- Shaft diameter is 1/2, N=1.94 with .04 deep flat
- 48Z = 1/2 flat X 1.88 shaft, with 48 FR base
- 2" shaft length and 1/2" diameter shaft, sleeve and key adapter to 5/8"
- 1/2" shaft, sleeve and key adapter to 5/8" shaft

Continues on next page

### Shaft Dimensions

- 48 = 1/2" Flat x 1-5/8"
- 56 = 5/8" Keyed x 1-7/8"



## Belt Drive and Blower Applications

### Features:

- Class B Insulation
- Continuous Duty
- Resilient Base
- Reversible
- 60 HZ



807L



RB2034L

**Applications:** Centrifugal Pumps, Blowers, Fans

| HP  | RPM  | Volts       | Full Load Amps | Service Factor | Frame | Stock Number | Bearings | Enclosure | Protector | "C" Dim. | "AG" Dim. | Notes        |
|-----|------|-------------|----------------|----------------|-------|--------------|----------|-----------|-----------|----------|-----------|--------------|
| 1/3 | 3450 | 230/115     | 3.2/6.3        | 1.35           | 48Z   | F344V1       | Ball     | ODP       | Auto      | 10.3     | 7.9       | 26,341       |
| 1/3 | 1725 | 115         | 5.7            | 1.00           | 56Z   | 807L         | Sleeve   | ODP       | Auto      | 7.3      | 5.8       | 260          |
| 1/3 | 1725 | 115         | 5.7            | 1.35           | 48Z   | 921L         | Ball     | ODP       | None      | 10.2     | 8.3       | 141          |
| 1/3 | 1725 | 115         | 6.2            | 1.00           | 56Z   | GF2031L      | Sleeve   | Open      | None      | 9.4      | 7.8       | 262          |
| 1/3 | 1725 | 115         | 6.8            | 1.35           | 48    | GF2034       | Sleeve   | Open      | Auto      | 9.4      | 7.8       | 92           |
| 1/3 | 1725 | 230         | 3.7            | 1.35           | 48/56 | GF2038       | Sleeve   | Open      | Auto      | 9.4      | 7.8       | 17,92        |
| 1/3 | 1725 | 115/230     | 6.4/3.2        | 1.35           | 48/56 | GF2034D      | Sleeve   | Open      | Auto      | 8.9      | 7.3       | 17,92        |
| 1/3 | 1725 | 115/230     | 6.4/3.2        | 1.35           | 48/56 | BF2034       | Ball     | Open      | Auto      | 9.4      | 7.8       | 17,92,99     |
| 1/3 | 1725 | 115         | 6.0            | 1.15           | 48    | RS2034L      | Sleeve   | Open      | None      | 9.4      | 7.8       |              |
| 1/3 | 1725 | 115         | 4.4            | 1.00           | 48    | 906L         | Ball     | TENV      | Auto      | 10.7     | 9.2       | New!         |
| 1/3 | 1725 | 115         | 6.0            | 1.35           | 48    | RB2034       | Ball     | ODP       | Auto      | 9.4      | 7.5       |              |
| 1/3 | 1725 | 115         | 6.6            | 1.35           | 48    | RB2034L      | Ball     | Open      | None      | 9.4      | 7.8       | 6            |
| 1/3 | 1725 | 115         | 6.0            | 1.35           | 48Z   | 922L         | Ball     | ODP       | Auto      | 10.2     | 8.3       | 91           |
| 1/3 | 1725 | 115/208-230 | 6.6/3.2-3.3    | 1.35           | 56Z   | BF2034B      | Ball     | Open      | Auto      | 10.1     | 7.7       | 26,307       |
| 1/3 | 1725 | 115         | 4.8            | 1.00           | 56Z   | ARB2034M     | Ball     | TE        | Manual    | 11.1     | 9.1       | 26,260       |
| 1/3 | 1725 | 115/208-230 | 4.9/2.3-2.5    | 1.00           | 48    | ARB2034L6    | Ball     | TEAO      | Auto      | 9.8      | 8.3       | 26           |
| 1/3 | 1725 | 115/208-230 | 5.6/2.8        | 1.35           | 56Z   | ARB2034L4    | Ball     | TEAO      | None      | 10.0     | 8.4       | New!         |
| 1/3 | 1725 | 115/208-230 | 4.9/2.3-2.5    | 1.00           | 48    | ARB2034L2    | Ball     | TEAO      | None      | 9.8      | 8.3       | 26           |
| 1/3 | 1725 | 115/208-230 | 7.3/3.8-3.8    | 1.35           | 56Z   | ARB2034L5    | Ball     | TEAO      | Auto      | 10.0     | 8.4       | New!         |
| 1/3 | 1725 | 115/208-230 | 5.9/2.8-2.9    | 1.35           | 56Z   | ARB2034SV1   | Ball     | TEAO      | Auto      | 10.0     | 8.4       | 1,26,262,307 |
| 1/3 | 1425 | 220         | 3.2            | 1.35           | 48    | GF2035       | Sleeve   | Open      | Auto      | 9.4      | 7.8       | 268          |
| 1/3 | 1140 | 115/208-230 | 6.0/3.0-3.0    | 1.00           | 56    | ARB2036S     | Ball     | TEAO      | Auto      | 11.4     | 9.5       | 26           |
| 1/3 | 1140 | 115/208-230 | 6.0/3.0-3.0    | 1.00           | 56    | ARB2036SL    | Ball     | TEAO      | None      | 11.4     | 9.5       | 26           |
| 1/3 | 1140 | 115/230     | 6.2/3.1        | 1.35           | 56    | RB2036       | Ball     | ODP       | Auto      | 11.1     | 9.1       | 26           |

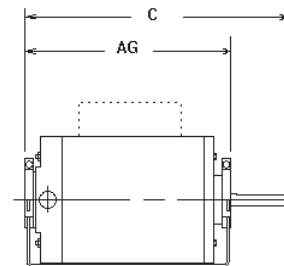
### Notes:

- Item to be discontinued when stock is depleted
- 60/50 HZ
- Suitable for 208 volts @ 1.0 service factor
- Extended thru bolts, shaft end only
- 5/8" extended thru bolts, 1-7/8" shaft length and 1/2" shaft dia.
- 48/56 FR = 1/2" x 1.5" Shaft with 5/8" shaft adapter - 48/56 slotted 3" height base
- 1/2" extended thru bolts, shaft end
- Shaft diameter is 1/2, N=1.94 with .04 deep flat
260. 56Z = 1/2" flatted shaft
262. 56Z = 1/2" flat X 1.62 shaft, with 56 FR. Base
307. 1/2" shaft, sleeve and key adapter to 5/8" shaft
341. 1/2" dia. - shaft 2.25" long

Continues on next page

### Shaft Dimensions

- 48 = 1/2" Flat x 1-5/8"
- 56 = 5/8" Keyed x 1-7/8"



## Belt Drive and Blower Applications

### Features:

- Class B Insulation (except Note 43 = Class A Insulation)
- Continuous Duty
- Reversible
- Single Speed
- 60 Hz (Note 6 = 60/50 Hz)



F678



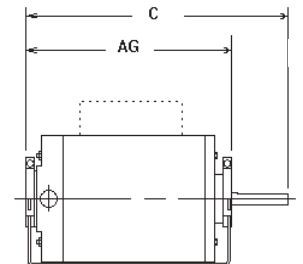
GK2054

**Applications:** Centrifugal Pumps, Blowers, Fans

| HP  | RPM       | Volts       | Full Load Amps     | Service Factor | Frame | Stock Number | Bearings | Enclosure | Protector | "C" Dim. | "AG" Dim. | Notes      |
|-----|-----------|-------------|--------------------|----------------|-------|--------------|----------|-----------|-----------|----------|-----------|------------|
| 1/2 | 1725      | 115         | 8.0                | 1.25           | 48    | GF2054       | Sleeve   | ODP       | Auto      | 9.9      | 8.3       | 92         |
| 1/2 | 1725      | 115         | 8.1                | 1.25           | 56    | GK2054       | Sleeve   | Open      | Auto      | 10.3     | 8.3       |            |
| 1/2 | 1725      | 115         | 7.0                | 1.25           | 56    | F678         | Sleeve   | ODP       | Auto      | 11.1     | 9.1       | 43         |
| 1/2 | 1725      | 115         | 7.0                | 1.25           | 56    | F505         | Ball     | ODP       | Auto      | 11.1     | 9.1       | 83         |
| 1/2 | 1725      | 115/208-230 | 8.2/4.1            | 1.25           | 48/56 | GF2054D      | Sleeve   | Open      | Auto      | 9.9      | 8.3       | 92         |
| 1/2 | 1725      | 115/208-230 | 8.2/4.1            | 1.25           | 48/56 | BF2054       | Ball     | Open      | Auto      | 9.9      | 8.3       | 92,99      |
| 1/2 | 1725      | 115         | 7.0                | 1.00           | 56    | F352         | Ball     | TEFC      | Auto      | 12.6     | 10.7      | 43         |
| 1/2 | 1725      | 115/230     | 7.0/3.5            | 1.00           | 56    | ARS2050DV1   | Sleeve   | TEAO      | Auto      | 10.8     | 8.8       | New!       |
| 1/2 | 1725      | 115/230     | 9.6/4.8            | 1.25           | 56    | RB2054DV2    | Ball     | Open      | Auto      | 10.3     | 8.3       | New!       |
| 1/2 | 1725      | 115         | 6.8                | 1.00           | 56    | F671         | Sleeve   | ODP       | None      | 11.1     | 9.1       |            |
| 1/2 | 1725      | 115         | 6.8                | 1.00           | 56    | F675         | Sleeve   | ODP       | Auto      | 11.1     | 9.1       | 43         |
| 1/2 | 1725      | 115         | 7.0                | 1.00           | 56    | F352V1       | Ball     | TE        | Manual    | 11.1     | 9.1       | 26         |
| 1/2 | 1725      | 115         | 6.8                | 1.00           | 56Z   | F670A        | Ball     | ODP       | Auto      | 11.19.1  |           | 26,141,260 |
| 1/2 | 1725      | 115/230     | 9.6/4.8            | 1.25           | 56Z   | RB2054DV3    | Ball     | Open      | Auto      | 10.3     | 8.3       | New!       |
| 1/2 | 1725      | 115/208-230 | 8.0/3.6-4.0        | 1.00           | 56    | ARB2054L4    | Ball     | TEAO      | Auto      | 10.8     | 8.8       | New!       |
| 1/2 | 1725      | 115/208-230 | 8.2/4.1            | 1.25           | 48Z   | BF2054V1     | Ball     | Open      | Auto      | 10.7     | 8.3       | 26,307,341 |
| 1/2 | 1725      | 115         | 6.8                | 1.00           | 56Z   | F670         | Ball     | ODP       | None      | 11.1     | 9.1       | 295        |
| 1/2 | 1140      | 115/230     | 9.2/4.6            | 1.25           | 56    | BF2056D      | Ball     | ODP       | Auto      | 11.4     | 9.5       | 26         |
| 3/4 | 1725      | 115         | 12.2               | 1.25           | 56    | GK2074       | Sleeve   | Open      | Auto      | 10.8     | 8.8       |            |
| 3/4 | 1725/1425 | 230/115     | 5.2/10.4//6.4/12.8 | 1.25           | 56    | F681         | Sleeve   | ODP       | Auto      | 11.4     | 9.5       | 6          |
| 3/4 | 1725/1425 | 230/115     | 5.2/10.4           | 1.25           | 56    | F680         | Ball     | ODP       | Auto      | 11.4     | 9.5       | 6          |
| 3/4 | 1725      | 115/208-230 | 11.0/5.4-5.5       | 1.00           | 56    | F353         | Ball     | TEFC      | Auto      | 12.9     | 10.9      |            |
| 1   | 1725      | 115/230     | 15.5/7.7           | 1.25           | 56    | GK2104DV1    | Sleeve   | Open      | Auto      | 12.3     | 10.3      | 6, New!    |

**Notes:**

- 6. 60/50 Hz
- 26. Extended thru bolts, shaft end only
- 43. Class A insulation
- 83. Extended thru bolts - 5/8"
- 92. 48/56 FR = 1/2" x 1.5" Shaft with 5/8" shaft adapter - 48/56 slotted 3" height base
- 99. 1/2" extended thru bolts, shaft end
- 141. Shaft diameter is 1/2, N=1.94 with .04 deep flat
- 260. 56Z = 1/2 flatted shaft
- 295. 2" shaft length and 1/2" shaft diameter, sleeve and key adapter to 5/8"
- 307. 1/2" shaft, sleeve and key adapter to 5/8" shaft
- 341. 1/2" dia. - shaft 2.25" long



# Split Phase Adjustable Ring Mount Motors

## Quick-Fit™ Motors

### Features:

- Auto Protection
- Class B Insulation
- Open Dripproof
- Reversible
- 60 HZ
- 40°C Ambient

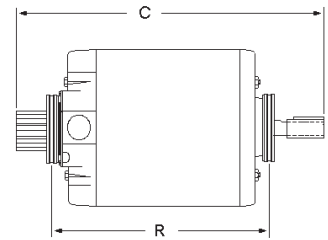


**Applications:** Belt drive and blowers.

| HP  | RPM  | Volts | Full Load Amps | Service Factor | Frame | Stock Number | Bearings | Base/ Mounting | Enclosure | "C" Dim. | Approx. "R" | Notes |
|-----|------|-------|----------------|----------------|-------|--------------|----------|----------------|-----------|----------|-------------|-------|
| 1/4 | 1725 | 115   | 5.4            | 1.35           | 48    | AR2024       | Sleeve   | Resil. Rings   | ODP       | 9.5      | 7.1 to 8.4  | 307   |
| 1/3 | 1725 | 115   | 6.0            | 1.35           | 48    | AR2034       | Ball     | Resil. Rings   | ODP       | 10.6     | 7.4 to 8.7  | 307   |
| 1/2 | 1725 | 115   | 8.0            | 1.25           | 48    | AR2054       | Sleeve   | Resil. Rings   | ODP       | 11.1     | 7.9 to 9.2  | 307   |

**Notes:**

307. 1/2" shaft, sleeve and key adapter to 5/8" shaft





# Split Phase Rigid Base Motors

## Features:

- Continuous Duty
- Reversible
- 60 HZ



**Applications:** Centrifugal Pumps, Blowers, Fans

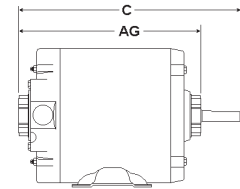
| HP  | RPM  | Volts | Full Load Amps | Service Factor | Frame | Stock Number | Bearings | Enclosure | Insul. Class | Protector | "C" Dim. | "AG" Dim. | Notes  |
|-----|------|-------|----------------|----------------|-------|--------------|----------|-----------|--------------|-----------|----------|-----------|--------|
| 1/6 | 1725 | 115   | 5.1            | 1.35           | 48    | OS2014LA     | Sleeve   | Open      | B            | Auto      | 8.9      | 7.3       |        |
| 1/4 | 1725 | 115   | 5.2            | 1.35           | 48    | OS2024L      | Sleeve   | Open      | B            | None      | 9.2      | 7.5       |        |
| 1/4 | 1725 | 115   | 5.4            | 1.35           | 48    | OB2024L      | Ball     | Open      | B            | None      | 9.2      | 7.5       |        |
| 1/4 | 1725 | 115   | 5.4            | 1.15           | 48Z   | OB2024       | Ball     | Open      | B            | Auto      | 10.0     | 7.6       | 26,341 |
| 1/4 | 1725 | 115   | 3.8            | 1.00           | 56    | F661         | Ball     | TENV      | A            | None      | 11.1     | 9.1       | 43     |
| 1/3 | 1725 | 115   | 6.2            | 1.00           | 56Z   | OS2031L      | Sleeve   | ODP       | B            | None      | 9.4      | 7.8       | 261    |
| 1/3 | 1725 | 115   | 6.1            | 1.35           | 48    | 889A         | Ball     | Open      | B            | Auto      | 9.4      | 7.8       |        |
| 1/3 | 1725 | 115   | 5.3            | 1.15           | 48Z   | 889V2        | Ball     | ODP       | B            | Auto      | 10.1     | 7.8       | 26,341 |
| 1/2 | 1725 | 115   | 8.1            | 1.15           | 56Z   | OS2050       | Ball     | Open      | B            | Auto      | 10.6     | 8.2       | 26,342 |
| 3/4 | 1725 | 115   | 9.6            | 1.00           | 56Z   | OS2074       | Ball     | Open      | B            | Auto      | 11.1     | 8.7       | 26,342 |

## Notes:

26. Extended thru bolts, shaft end only  
 261. 56Z = 1/2" flat x 1-1/2" shaft, 3-1/2" shaft height  
 341. 1/2" dia. - shaft 2.25" long  
 342. 5/8" dia. - shaft 2.37" long

## Shaft Dimensions

- 48 = 1/2" Flat x 1-5/8"  
 56 = 5/8" Keyed x 1-7/8"



# Fan and Blower Motors • Single Phase

## Belted Drive Motors - Resilient Base - 1800/1200 RPM 2 Speed - 2-Winding Variable Torque

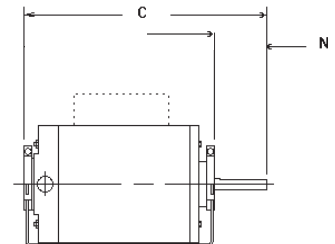
Features: • Reversible • 40°C Ambient • 60 Hz



| HP                     | RPM       | Volts       | Full Load Amps  | Service Factor | Frame | Stock Number | Bearings | Enclosure | Insul. Class | Overload Protector | "C" Dim. | Notes                   |
|------------------------|-----------|-------------|-----------------|----------------|-------|--------------|----------|-----------|--------------|--------------------|----------|-------------------------|
| <b>Split Phase</b>     |           |             |                 |                |       |              |          |           |              |                    |          |                         |
| 1/6~1/18               | 1725/1140 | 115         | 4.4/2.1         | 1.35           | 48Z   | BGF2014L     | Ball     | ODP       | B            | Auto               | 10.7     | 26,274, <b>New!</b>     |
| 1/4~.07                | 1725      | 115         | 4.4/2.2         | 1.35           | 48Z   | 927L         | Ball     | ODP       | B            | Auto               | 10.7     | 91, <b>New!</b>         |
| 1/4~.07                | 1725      | 115         | 3.7/2.1         | 1.00           | 48Z   | 924L         | Ball     | ODP       | B            | None               | 10.7     | 91, <b>New!</b>         |
| 1/4~1/12               | 1725/1140 | 230         | 2.7/1.3         | 1.35           | 48    | 927AL        | Ball     | ODP       | B            | Auto               | 9.8      | <b>New!</b>             |
| 1/4~1/12               | 1725/1140 | 115         | 4.4/3.0         | 1.00           | 56Z   | ARB2024L1    | Ball     | TEAO      | B            | Auto               | 11.0     | 26,262,307, <b>New!</b> |
| 1/4~1/12               | 1725/1140 | 115         | 4.4/3.0         | 1.00           | 56Z   | ARB2024L2    | Ball     | TEAO      | B            | None               | 11.0     | 26,262,307, <b>New!</b> |
| 1/3~1/15               | 1725/850  | 115         | 5.2/3.0         | 1.00           | 56Z   | SGF2034V3    | Ball     | ODP       | B            | Auto               | 11.1     | 26,307                  |
| 1/3~1/11               | 1725/1140 | 115         | 6.6/2.4         | 1.00           | 48    | 925AL        | Ball     | ODP       | B            | Auto               | 10.3     | 26, <b>New!</b>         |
| 1/3~1/11               | 1725/1140 | 115         | 5.0/3.0         | 1.35           | 56    | F674         | Sleeve   | ODP       | A            | Auto               | 11.1     |                         |
| 1/3~1/11               | 1725/1140 | 115         | 5.0/3.0         | 1.35           | 56    | F390         | Ball     | ODP       | B            | Auto               | 11.1     | 26                      |
| 1/3~1/11               | 1725/1140 | 115         | 6.1/3.1         | 1.00           | 48Z   | 925L         | Ball     | Open      | B            | None               | 10.8     | 91                      |
| 1/3~1/10               | 1725/1140 | 115         | 6.7/3.3         | 1.35           | 56Z   | SGF2034V4    | Sleeve   | Open      | B            | Auto               | 10.0     | 260, <b>New!</b>        |
| 1/3~1/10               | 1725/1140 | 115         | 7.0/3.5         | 1.35           | 56    | SGK2034V1    | Sleeve   | Open      | B            | Auto               | 10.3     | <b>New!</b>             |
| 1/3~1/9                | 1725/1140 | 115         | 5.5/4.0         | 1.00           | 56Z   | ARB2034L1    | Ball     | TEAO      | B            | Auto               | 11.0     | 26,262,307, <b>New!</b> |
| 1/3~1/9                | 1725/1140 | 115         | 5.6/3.2         | 1.00           | 56Z   | ARB2034L3    | Ball     | TEAO      | B            | None               | 11.0     | 26,262,307              |
| 1/3~1/8                | 1725/1140 | 115         | 5.0/3.0         | 1.00           | 56Z   | SGF2034V2    | Ball     | ODP       | B            | Auto               | 11.2     | 26,260                  |
| 1/2~.14                | 1725/1140 | 115         | 6.4/3.2         | 1.25           | 56    | C535         | Ball     | ODP       | B            | None               | 11.4     | <b>New!</b>             |
| 1/2~.14                | 1725/1140 | 115         | 6.8/4.0         | 1.25           | 56    | C536         | Ball     | ODP       | B            | Auto               | 11.4     | <b>New!</b>             |
| 1/2~.14                | 1725/1140 | 115         | 6.8/3.8         | 1.25           | 56    | F246         | Sleeve   | ODP       | A            | Auto               | 11.4     |                         |
| 1/2~.14                | 1725/1140 | 115         | 6.8/3.0         | 1.00           | 56    | F387         | Ball     | ODP       | B            | None               | 11.1     | 26                      |
| 1/2~.14                | 1725/1140 | 115         | 6.8/3.8         | 1.25           | 56    | F391         | Ball     | ODP       | B            | Auto               | 11.4     | 26                      |
| 1/2~1/6                | 1725/1140 | 115         | 9.9-4.4         | 1.35           | 56Z   | SGF2054AV2   | Sleeve   | Open      | B            | Auto               | 10.0     | 260, <b>New!</b>        |
| 1/2~1/6                | 1725/1140 | 230         | 5.3/2.4         | 1.00           | 56    | SGF2054HL    | Sleeve   | Open      | B            | Auto               | 10.4     | 26, <b>New!</b>         |
| 1/2~1/4                | 1725/1140 | 115         | 9.0/6.4         | 1.15           | 56    | SGK2054V1    | Sleeve   | Open      | B            | Auto               | 10.8     | 260, <b>New!</b>        |
| 1/2~1/4                | 1725/1140 | 115         | 8.2/5.3         | 1.00           | 56    | ARB2054L1    | Ball     | TEAO      | B            | Auto               | 11.8     | 26, <b>New!</b>         |
| 1/2~1/4                | 1725/1140 | 115         | 8.2/5.3         | 1.00           | 56    | ARB2054L2    | Ball     | TEAO      | B            | None               | 11.8     | 26, <b>New!</b>         |
| 1/2                    | 1725/1425 | 115/208-230 | 8.0/3.6-4.0     | 1.30           | 56    | ARB2054L3    | Ball     | TEAO      | B            | Auto               | 10.8     | 26, <b>New!</b>         |
| <b>Capacitor Start</b> |           |             |                 |                |       |              |          |           |              |                    |          |                         |
| 1/2~.14                | 1725/1140 | 115         | 6.8/4.0         | 1.25           | 56    | C532         | Ball     | ODP       | B            | Auto               | 11.4     | 26                      |
| 1/2~1/4                | 1725/1140 | 115         | 6.8/4.8         | 1.00           | 56    | C678V1       | Sleeve   | ODP       | A            | Auto               | 11.4     |                         |
| 3/4~.21                | 1725/1140 | 115         | 9.2/4.6         | 1.00           | 56    | C435         | Ball     | ODP       | B            | None               | 11.4     | 26                      |
| 3/4~.21                | 1725/1140 | 208-230     | 5.0-4.6/2.5-2.3 | 1.00           | 56    | C448         | Ball     | ODP       | B            | None               | 11.4     | 26                      |
| 3/4~.21                | 1725/1140 | 115         | 10.0/4.0        | 1.25           | 56    | C533         | Ball     | ODP       | B            | Auto               | 12.2     | 26                      |
| 3/4~.21                | 1725/1140 | 115         | 10.0/4.0        | 1.25           | 56    | C537         | Ball     | ODP       | B            | Auto               | 12.2     | 26, <b>New!</b>         |
| 3/4~1/4                | 1725/1140 | 208-230     | 5.0-5.0/2.7-2.8 | 1.25           | 56    | C534V1       | Ball     | ODP       | B            | Auto               | 12.2     | 26                      |
| 3/4~1/3                | 1725/1140 | 115         | 10.0/6.4        | 1.00           | 56    | C741V1       | Sleeve   | ODP       | A            | Auto               | 12.2     |                         |
| 3/4~1/3                | 1725/1140 | 230         | 5.0/3.2         | 1.00           | 56    | C742V1       | Sleeve   | ODP       | A            | Auto               | 12.2     |                         |
| 1~.28                  | 1725/1140 | 115         | 11.9/7.1        | 1.00           | 56    | C471         | Ball     | ODP       | B            | None               | 12.7     | 26                      |
| 1~.28                  | 1725/1160 | 208-230     | 6.3-6.0/3.0-3.6 | 1.00           | 56    | C472         | Ball     | ODP       | B            | None               | 12.7     | 6,26                    |
| 1~1/3                  | 1725/1140 | 115         | 12.4/7.8        | 1.15           | 56    | C471A        | Ball     | ODP       | B            | Auto               | 12.7     | 26                      |
| 1~1/3                  | 1725/1140 | 208-230     | 6.3-6.0/3.3-3.8 | 1.00           | 56    | C472V1       | Ball     | ODP       | B            | Auto               | 12.7     | 26                      |
| 1~1/3                  | 1725/1160 | 208-230     | 6.4-6.0/3.4-3.5 | 1.15           | 56    | C472A        | Ball     | ODP       | B            | Auto               | 12.7     | 26                      |
| 1~1/3                  | 1725/1140 | 115         | 12.4/7.8        | 1.15           | 56    | C538         | Ball     | ODP       | B            | Auto               | 12.7     | 26, <b>New!</b>         |

**Notes:**

- 6. 60/50 Hz
- 26. Extended thru bolts, shaft end only
- 91. 5/8" extended thru bolts, 1-7/8" shaft length and 1/2" shaft dia.
- 260. 56Z = 1/2" flatted shaft
- 262. 56Z - 1/2" flat x 1.62" shaft, with 56 FR base
- 274. 48Z = 1/2" flat X 1.88" shaft, with 48 FR base
- 307. 1/2" shaft, sleeve and key adapter to 5/8" shaft



## Belted Drive Motors - Resilient Base - 1800/1200 RPM 2 Speed - 2-Winding Variable Torque



H655V1

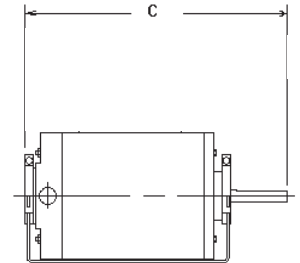
### Features:

- Ball Bearing
- Dripproof
- Reversible
- Three Phase
- Keyed Shaft, 5/8" x 1-7/8"
- 5/8" Extended Thru Bolts
- 60 Hz
- 40°C Ambient

| HP                   | RPM       | Speeds | Volts   | Full Load Amps  | Service Factor | Frame | Stock Number | Enclosure | Insulation Class | Overload Protector | "C" Dim. | Notes    |
|----------------------|-----------|--------|---------|-----------------|----------------|-------|--------------|-----------|------------------|--------------------|----------|----------|
| <b>Squirrel Cage</b> |           |        |         |                 |                |       |              |           |                  |                    |          |          |
| 1/2~.22              | 1725/1140 | 2-2-VT | 200-230 | 1.8-1.9/1.1-1.2 | 1.25           | 56Y   | H655V1       | ODP       | B                | None               | 11.1     | 26, New! |
| 1/2~.22              | 1725/1140 | 2-2-VT | 460     | .95/.60         | 1.25           | 56Y   | H656V1       | ODP       | B                | None               | 11.1     | 26, New! |
| 3/4~.33              | 1725/1140 | 2-2-VT | 200-230 | 2.5-2.6/1.5-1.6 | 1.25           | 56Y   | H657V1       | ODP       | B                | None               | 10.7     | 26, New! |
| 3/4~.33              | 1725/1140 | 2-2-VT | 460     | 1.30/.82        | 1.25           | 56    | H658V1       | ODP       | B                | None               | 10.7     | 26, New! |
| 1.0~.44              | 1725/1140 | 2-2-VT | 200-230 | 3.2-3.4/1.8-2.2 | 1.15           | 56    | H717V1       | ODP       | B                | None               | 11.1     | 26, New! |
| 1.0~.44              | 1725/1140 | 2-2-VT | 460     | 1.7/1.1         | 1.15           | 56Y   | H718V1       | ODP       | B                | None               | 11.1     | 26, New! |

### Notes

26. Extended thru bolts, shaft end only



# 48 & 56 Frame Split Phase Motors

## C-Face Ventilator Motors

### Features:

- Ball Bearing
- Class B Insulation
- Reversible
- Split Phase
- No Base
- 5/8" Dia. Keyed Shaft
- 4, 6, 8 Pole
- 40°C Ambient
- 60 Hz



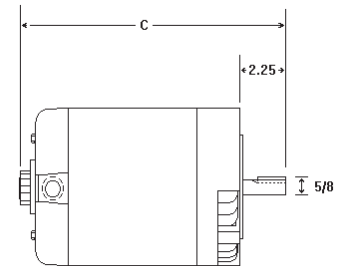
F270

**Applications:** Designed for use on commercial and industrial ventilation systems.

| HP       | RPM       | Volts | Full Load Amps | Service Factor | Frame | Stock Number | Base/ Mounting | Enclosure | Shaft Length | Overload Protector | "C" Dim. | Notes |
|----------|-----------|-------|----------------|----------------|-------|--------------|----------------|-----------|--------------|--------------------|----------|-------|
| 1/12     | 850       | 115   | 2.6            | 1.40           | 56CZ  | F395         | Round Frame    | ODP       | 2.38"        | Auto               | 11.1     |       |
| 1/8      | 1140      | 115   | 3.0            | 1.40           | 56CZ  | F270         | Round Frame    | ODP       | 2.25"        | Auto               | 11.3     |       |
| 1/6      | 1140      | 115   | 3.6            | 1.35           | 56CZ  | F271         | Round Frame    | ODP       | 2.25"        | Auto               | 11.3     |       |
| 1/4      | 1725      | 115   | 3.1            | 1.00           | 48CY  | F396L        | C Face         | TENV      | 1.91"        | None               | 11.8     | New!  |
| 1/4      | 1725      | 115   | 5.3            | 1.35           | 56CZ  | F392         | NEMA "C"       | ODP       | 2.25"        | Auto               | 9.9      |       |
| 1/4      | 1140      | 115   | 5.0            | 1.35           | 56CZ  | F273         | Round Frame    | ODP       | 2.25"        | Auto               | 11.3     |       |
| 1/4      | 850       | 115   | 6.2            | 1.35           | 56CZ  | F274         | Round Frame    | ODP       | 2.25"        | Auto               | 12.4     |       |
| 1/4~1/12 | 1725/1140 | 115   | 5.4/3.2        | 1.35           | 56CZ  | F393         | NEMA "C"       | Open      | 2.25"        | Auto               | 11.8     | 1     |
| 1/4~1/12 | 1725/1140 | 115   | 5.4/3.2        | 1.35           | 56CZ  | F393L        | NEMA "C"       | ODP       | 2.25"        | Auto               | 12.2     | New!  |
| 1/3      | 1725      | 115   | 6.8            | 1.35           | 56CZ  | F394         | NEMA "C"       | ODP       | 2.25"        | Auto               | 10.2     |       |
| 1/3      | 850       | 115   | 8.6            | 1.00           | 56CZ  | F276         | Round Frame    | ODP       | 2.25"        | Auto               | 12.9     |       |
| 1/3~1/11 | 1725/1140 | 115   | 5.0/3.0        | 1.35           | 56CZ  | F252         | Round Frame    | ODP       | 2.25"        | None               | 11.3     |       |
| 1/3~1/11 | 1725/1140 | 115   | 5.4/2.3        | 1.35           | 56CZ  | F262         | Round Frame    | ODP       | 2.25"        | Auto               | 11.3     |       |
| 1/2~1/7  | 1725/1140 | 115   | 6.8/3.8        | 1.25           | 56CZ  | F263         | Round Frame    | ODP       | 2.25"        | Auto               | 11.6     |       |

### Notes:

1. Item to be discontinued when stock is depleted



# Capacitor Start Resilient Base Motors

## Features:

- High Start Torque
- Open Construction
- Reversible
- 2, 4 and 6 Pole
- 40°C Ambient
- 60 Hz



BK1054



C690

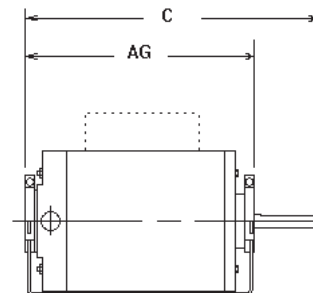
**Applications:** Compressors, pumps, conveyors, milking machines, blowers, fans

| HP  | RPM       | Volts       | Full Load Amps  | Service Factor | Frame | Stock Number | Bearings | Enclosure | Insul. Class | Overload Protector | "C" Dim | "AG" Dim | Notes              |
|-----|-----------|-------------|-----------------|----------------|-------|--------------|----------|-----------|--------------|--------------------|---------|----------|--------------------|
| 1/4 | 1725      | 115/230     | 5.6/2.8         | 1.35           | 48    | RS1024A      | Sleeve   | Open      | B            | Auto               | 9.4     | 7.8      |                    |
| 1/4 | 1725      | 115/230     | 5.0/2.5         | 1.35           | 48    | C196L        | Ball     | ODP       | B            | Auto               | 9.3     | 7.8      |                    |
| 1/3 | 3450      | 115/208-230 | 7.6/3.8         | 1.80           | 48    | BF1032       | Ball     | ODP       | A            | Auto               | 10.2    | 8.6      | 55,61,66,78        |
| 1/3 | 3450      | 115/208-230 | 6.2/3.4-3.1     | 1.25           | 48    | B171         | Ball     | ODP       | A            | Auto               | 9.9     | 8.4      |                    |
| 1/3 | 1725      | 115/230     | 6.4/3.2         | 1.35           | 48    | RS1034A      | Ball     | Open      | B            | Auto               | 9.4     | 7.8      | 6                  |
| 1/3 | 1725      | 115/230     | 7.70/3.85       | 1.35           | 48    | C105L        | Ball     | ODP       | B            | None               | 9.8     | 8.3      |                    |
| 1/3 | 1725      | 115/230     | 7.0/3.5         | 1.00           | 48    | RS1030A      | Sleeve   | Open      | B            | Auto               | 9.4     | 7.8      |                    |
| 1/3 | 1725      | 115/230     | 6.2/3.1         | 1.35           | 48    | RS1035A      | Sleeve   | ODP       | B            | Auto               | 9.9     | 8.0      | 6                  |
| 1/3 | 1725      | 115/230     | 6.4/3.2         | 1.35           | 48Z   | RS1034A      | Sleeve   | Open      | B            | Auto               | 9.8     | 7.6      | 6,273              |
| 1/3 | 1725/1425 | 115/230     | 5.2/2.6/6.6/3.3 | 1.35           | 56    | C309         | Ball     | ODP       | B            | Auto               | 11.1    | 9.1      | 6                  |
| 1/3 | 1725      | 115/208-230 | 6.6/3.0-3.3     | 1.35           | 56    | C403         | Ball     | ODP       | B            | Auto               | 11.1    | 9.1      |                    |
| 1/3 | 1725      | 115/208-230 | 6.6/3.0-3.3     | 1.35           | 56    | C455         | Sleeve   | ODP       | B            | Auto               | 11.1    | 9.1      |                    |
| 1/3 | 1725      | 115/208-230 | 6.6/3.0-3.3     | 1.35           | 56    | C226         | Ball     | Open      | B            | None               | 11.1    | 9.1      |                    |
| 1/3 | 1140      | 115/208-230 | 6.0/3.0-3.0     | 1.35           | 56    | C231         | Sleeve   | ODP       | B            | None               | 11.4    | 9.5      |                    |
| 1/2 | 3450      | 115/208-230 | 8.0/3.8-4.0     | 1.25           | 56    | RS1052L      | Ball     | ODP       | B            | Auto               | 10.4    | 8.4      |                    |
| 1/2 | 3450      | 115/208-230 | 9.4/4.7-4.7     | 1.60           | 48Z   | BF1052V1     | Ball     | ODP       | A            | Auto               | 11.3    | 9.0      | 26,55,61,66,78,100 |
| 1/2 | 3450      | 115/208-230 | 8.0/3.8-4.0     | 1.25           | 48Y   | B590         | Ball     | ODP       | B            | Auto               | 9.9     | 8.4      | 275                |
| 1/2 | 3450      | 115/208-230 | 9.4/4.7         | 1.60           | 48    | BF1052       | Ball     | ODP       | A            | Auto               | 10.6    | 9.0      | 55,61,66,78        |
| 1/2 | 3450      | 115/208-230 | 9.4/4.7         | 1.60           | 56    | BK1052       | Ball     | ODP       | A            | Auto               | 10.9    | 9.0      | 55,61,66,78        |
| 1/2 | 1725      | 115/230     | 8.6/4.3         | 1.00           | 48    | RS1050A      | Sleeve   | Open      | B            | Auto               | 10.3    | 8.3      |                    |
| 1/2 | 1725      | 115/230     | 8.6/4.3         | 1.00           | 56    | RS1051A      | Sleeve   | Open      | B            | Auto               | 10.3    | 8.3      |                    |
| 1/2 | 1725/1425 | 115/230     | 7.2/3.6/8.9/4.5 | 1.25           | 56    | C461         | Ball     | ODP       | B            | Auto               | 11.1    | 9.1      | 6                  |
| 1/2 | 1725/1425 | 115/230     | 9.6/4.8         | 1.25           | 56    | RS1054AV1    | Ball     | ODP       | B            | Auto               | 11.3    | 9.3      | 6, New!            |
| 1/2 | 1725/1425 | 115/230     | 9.6/4.8         | 1.25           | 56    | RS1054AV1    | Sleeve   | Open      | B            | Auto               | 11.3    | 9.3      | 6, New!            |
| 1/2 | 1725      | 115/230     | 8.2/4.1         | 1.00           | 56    | C690         | Sleeve   | ODP       | A            | Auto               | 11.1    | 9.1      |                    |
| 1/2 | 1725      | 115/208-230 | 9.0/4.0-4.5     | 1.25           | 56    | C607         | Sleeve   | ODP       | B            | Auto               | 11.1    | 9.1      |                    |
| 1/2 | 1725      | 115/208-230 | 9.0/4.0-4.5     | 1.25           | 56    | C634         | Ball     | ODP       | B            | None               | 11.1    | 9.1      |                    |
| 1/2 | 1725      | 115/208-230 | 8.8/4.4         | 1.25           | 56    | BK1054       | Ball     | ODP       | B            | Auto               | 11.6    | 9.6      | 55,61,66,78        |
| 1/2 | 1725      | 115/208-230 | 9.0/4.0-4.5     | 1.25           | 56    | C412V1       | Ball     | ODP       | B            | Auto               | 11.1    | 9.1      | 26                 |

## Notes:

- 6. 60/50 HZ
  - 26. Extended thru bolts, shaft end only
  - 55. Terminal board
  - 61. Start capacitor inside
  - 66. Sealed switch design
  - 78. Moderate start torque
  - 100. 1/2" diameter shaft
  - 273. 48Z = 5/8" dia x 2" shaft, with 3" height
  - 275. 48-56 Frame mounting —  
3" shaft height, sleeve and key adapter to 5/8" shaft .
- See page 247 for mounting dimensions

Continues on next page



## Shaft Dimensions

- 48 = 1/2" Flat x 1-5/8"
- 56 = 5/8" Keyed x 1-7/8"

# Capacitor Start Resilient Base Motors

Continued from previous page

## Features:

- High Start Torque
- Reversible
- 2, 4 and 6 Pole
- 40°C Ambient
- 60 Hz



BK1072



C692

**Applications:** Compressors, pumps, conveyors, milking machines, blowers, fans

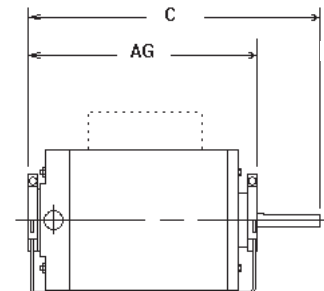
| HP    | RPM       | Volts       | Full Load Amps  | Service Factor | Frame | Stock Number | Bearings | Enclosure | Insul. Class | Overload Protector | "C" Dim. | "AG" Dim. | Notes       |
|-------|-----------|-------------|-----------------|----------------|-------|--------------|----------|-----------|--------------|--------------------|----------|-----------|-------------|
| 3/4   | 3450      | 115/208-230 | 12.8/6.4        | 1.50           | 48    | BF1072       | Ball     | ODP       | A            | Auto               | 11.1     | 9.5       | 55,61,66,78 |
| 3/4   | 3450      | 115/208-230 | 12.8/6.4        | 1.50           | 56    | BK1072       | Ball     | ODP       | A            | Auto               | 11.4     | 9.5       | 55,61,66,78 |
| 3/4   | 3450      | 208-230/115 | 4.7-4.6/9.2     | 1.25           | 56    | B588         | Ball     | ODP       | B            | Auto               | 11.1     | 9.1       |             |
| 3/4   | 3450      | 115/208-230 | 10.4/5.3-5.2    | 1.25           | 56    | B593         | Ball     | ODP       | B            | Auto               | 11.1     | 9.1       | New!        |
| 3/4   | 3450      | 115/208-230 | 10.4/5.3-5.2    | 1.25           | 56    | B594         | Ball     | ODP       | B            | None               | 11.1     | 9.1       | New!        |
| 3/4   | 3450      | 208-230/115 | 4.7-4.6/9.2     | 1.25           | 56    | B642         | Sleeve   | ODP       | A            | Auto               | 11.1     | 9.1       |             |
| 3/4   | 1725      | 115/208-230 | 13.0/6.5        | 1.25           | 56    | RB1074A      | Ball     | ODP       | B            | Auto               | 10.8     | 8.8       |             |
| 3/4   | 1725      | 115/230     | 12.0/6.0        | 1.25           | 56    | RS1074AL     | Sleeve   | Open      | B            | Auto               | 11.8     | 9.8       | 6, New!     |
| 3/4   | 1725      | 115/208-230 | 10.6/5.3        | 1.00           | 56    | RS1070AV1    | Sleeve   | ODP       | B            | Auto               | 10.8     | 8.8       | New!        |
| 3/4   | 1725      | 208-230/115 | 5.4-5.5/11.0    | 1.25           | 56    | C666         | Ball     | ODP       | B            | None               | 11.1     | 9.1       |             |
| 3/4   | 1725      | 208-230/115 | 5.4-5.5/11.0    | 1.25           | 56    | C426V1       | Ball     | ODP       | B            | Auto               | 11.1     | 9.1       | 26          |
| 3/4   | 1725      | 208-230/115 | 5.4-5.5/11.0    | 1.25           | 56    | C654         | Sleeve   | ODP       | B            | Auto               | 11.1     | 9.1       |             |
| 3/4   | 1725/1425 | 230/115     | 4.3/8.6/4.8/9.6 | 1.25           | 56    | C527         | Ball     | ODP       | B            | Auto               | 12.2     | 10.3      | 6           |
| 3/4   | 1725      | 230/115     | 5.0/10.0        | 1.00           | 56    | C691         | Sleeve   | ODP       | A            | Auto               | 11.1     | 9.1       |             |
| 3/4   | 1140      | 115/230     | 8.6/4.3         | 1.15           | 56    | C341         | Ball     | ODP       | B            | Auto               | 13.2     | 11.3      | New!        |
| 3/4   | 1075      | 115/230     | 7.3/3.7         | 1.00           | 56    | C060         | Ball     | TENV      | B            | Auto               | 11.3     | 9.3       | 26,68       |
| 1     | 3450      | 115/208-230 | 15.4/7.7        | 1.40           | 48    | BF1102       | Ball     | ODP       | A            | Auto               | 11.6     | 10.0      | 55,61,66,78 |
| 1     | 3450      | 115/208-230 | 15.4/7.7        | 1.40           | 56    | BK1102       | Ball     | ODP       | A            | Auto               | 11.9     | 10.0      | 55,61,66,78 |
| 1     | 3450      | 208-230/115 | 6.6-6.0/12.0    | 1.25           | 56    | B589         | Ball     | ODP       | B            | Auto               | 11.4     | 9.5       |             |
| 1     | 3450      | 208-230/115 | 6.6-6.0/12.0    | 1.25           | 56    | B703         | Ball     | ODP       | B            | None               | 11.4     | 9.5       |             |
| 1     | 3450      | 115/208-230 | 14.4/7.8-7.2    | 1.25           | 56    | B779         | Ball     | ODP       | B            | None               | 11.4     | 9.5       | New!        |
| 1     | 3450      | 208-230/115 | 6.6-6.0/12.0    | 1.25           | 56    | B701         | Sleeve   | ODP       | A            | Auto               | 11.4     | 9.5       |             |
| 1     | 1725/1425 | 115/208-230 | 14.4/6.6-7.2    | 1.25           | 56H   | RS1104AV1    | Sleeve   | ODP       | B            | Auto               | 11.8     | 9.8       | 6, New!     |
| 1     | 1725/1425 | 115/208-230 | 14.4/6.6-7.2    | 1.25           | 56    | RB1104AV1    | Ball     | Open      | B            | Auto               | 11.8     | 9.8       | 6, New!     |
| 1     | 1725      | 208-230/115 | 6.2-6.3/12.6    | 1.15           | 56Z   | C523V1       | Ball     | ODP       | B            | Auto               | 11.9     | 9.5       | 26,344      |
| 1     | 1725      | 208-230/115 | 6.2-6.3/12.6    | 1.25           | 56    | C524         | Ball     | ODP       | B            | None               | 11.4     | 9.5       |             |
| 1     | 1725      | 208-230/115 | 6.2-6.3/12.6    | 1.25           | 56    | C692         | Sleeve   | ODP       | B            | Auto               | 11.4     | 9.5       |             |
| 1     | 1725      | 230/115     | 6.5/13.0        | 1.00           | 56    | C766         | Sleeve   | ODP       | A            | Auto               | 11.4     | 9.5       |             |
| 1     | 1140      | 115/230     | 12.8/6.4        | 1.15           | 56    | C342         | Ball     | ODP       | B            | Auto               | 13.2     | 11.3      | New!        |
| 1     | 1140      | 115/230     | 12.8/6.4        | 1.15           | 56    | C343         | Ball     | ODP       | B            | None               | 13.2     | 11.3      | New!        |
| 1 1/2 | 3450      | 208-230/115 | 8.6-8.0/16.0    | 1.20           | 56    | B722L        | Ball     | ODP       | B            | Auto               | 12.2     | 10.3      |             |
| 1 1/2 | 3450      | 115/208-230 | 18.9/9.1-8.9    | 1.15           | 56    | B799         | Ball     | ODP       | B            | None               | 12.2     | 10.3      | New!        |
| 1 1/2 | 1725      | 208-230/115 | 7.8-7.5/15.0    | 1.20           | 56    | C621         | Ball     | ODP       | B            | Auto               | 12.7     | 10.8      | 5,\$        |
| 1 1/2 | 1725/1425 | 115/208-230 | 19.2/9.6        | 1.20           | 56H   | RB1154AV1    | Ball     | Open      | B            | Auto               | 12.8     | 10.8      | 6, New!     |
| 2     | 3450      | 208-230/115 | 10.0-9.5/19.0   | 1.20           | 56    | B837         | Ball     | ODP       | B            | None               | 12.2     | 10.3      | New!        |
| 2     | 1725      | 115/230     | 18.0/9.0        | 1.15           | 56H   | C238         | Ball     | ODP       | B            | Auto               | 14.0     | 12.0      | New!        |
| 2     | 1725      | 115/230     | 18.0/9.0        | 1.15           | 56    | C239         | Ball     | ODP       | B            | None               | 14.0     | 12.0      | New!        |
| 2     | 1725      | 115/208-230 | 22.0/11.0       | 1.15           | 56H   | RB1204AV1    | Ball     | Open      | B            | Auto               | 12.8     | 10.8      | New!        |

## Notes:

- \$ Energy Efficient
  - 5. \$ Energy Efficient two value capacitor start, capacitor run motor
  - 6. 50/60 HZ
  - 26. Extended thru bolts, shaft end only
  - 55. Terminal board
  - 61. Start capacitor inside
  - 66. Sealed switch design
  - 68. PSC Motor
  - 78. Moderate start torque
  - 344. 5/8" keyed shaft - 2.31" long
- See page 247 for mounting dimensions

## Shaft Dimensions

- 48 = 1/2" Flat x 1-5/8"
- 56 = 5/8" Keyed x 1-7/8"





# Capacitor Start Rigid Base Motors

## Compressors - Pumps - Blowers - Conveyors - Industrial Duty

### Features:

- Capacitor Start
- High Start Torque
- Open Dripproof
- Reversible
- Rigid Base
- 40°C Ambient
- 60 Hz



OB1024



C308

**Applications:** Compressors, pumps, conveyors, milking machines, blowers, fans

### ODP, RIGID BASE, SINGLE PHASE CAPACITOR START

| HP  | RPM       | Volts       | Full Load Amps   | Service Factor | Frame | Stock Number | Bearings | Insul. Class | Overload Protector | "C" Dim. | "AG" Dim. | Notes |
|-----|-----------|-------------|------------------|----------------|-------|--------------|----------|--------------|--------------------|----------|-----------|-------|
| 1/4 | 1725      | 115/208-230 | 5.8/2.9          | 1.35           | 48    | OB1024       | Ball     | B            | None               | 9.4      | 7.8       | 6     |
| 1/4 | 1725      | 115/230     | 5.0/2.5          | 1.35           | 48    | C157L        | Ball     | B            | Auto               | 9.3      | 7.8       |       |
| 1/4 | 1725      | 115/208-230 | 5.2/2.2-2.6      | 1.35           | 56    | C199         | Ball     | B            | Auto               | 10.1     | 8.1       |       |
| 1/4 | 1140      | 115/208-230 | 5.0/2.4-2.5      | 1.35           | 56    | C202         | Ball     | B            | Auto               | 11.1     | 9.1       |       |
| 1/3 | 1725      | 115/230     | 7.70/3.85        | 1.35           | 48    | C102L        | Ball     | B            | Auto               | 9.8      | 8.3       |       |
| 1/3 | 1725      | 115/230     | 7.70/3.85        | 1.35           | 48    | C109L        | Ball     | B            | None               | 9.8      | 8.3       |       |
| 1/3 | 1725/1425 | 115/230     | 5.2/2.6//6.6/3.3 | 1.35           | 56    | C308         | Ball     | B            | Auto               | 11.1     | 9.1       | 6     |
| 1/3 | 1725      | 115/208-230 | 6.6/3.0-3.3      | 1.35           | 56    | C222         | Ball     | B            | Auto               | 11.1     | 9.1       |       |
| 1/3 | 1725      | 115/208-230 | 6.6/3.0-3.3      | 1.35           | 56    | C457         | Ball     | B            | None               | 11.1     | 9.1       |       |
| 1/3 | 1725      | 115/208-230 | 6.6/3.0-3.3      | 1.35           | 56    | C224         | Ball     | B            | Manual             | 11.1     | 9.1       |       |
| 1/2 | 3450      | 115/208-230 | 8.0/3.8-4.0      | 1.25           | 48    | B172         | Ball     | B            | None               | 9.9      | 8.4       |       |
| 1/2 | 1725/1425 | 115/230     | 7.2/3.6//8.9/4.5 | 1.25           | 56    | C460         | Ball     | B            | Auto               | 11.1     | 9.1       | 6     |
| 1/2 | 1725      | 115/230     | 8.2/4.1          | 1.00           | 56    | C325         | Ball     | A            | Auto               | 11.1     | 9.1       |       |
| 1/2 | 1725      | 115/230     | 8.2/4.1          | 1.00           | 56    | C645         | Sleeve   | A            | None               | 11.1     | 9.1       |       |
| 1/2 | 1725      | 115/208-230 | 9.0/4.0-4.5      | 1.25           | 56    | C630         | Ball     | B            | Auto               | 11.1     | 9.1       |       |
| 1/2 | 1725      | 115/208-230 | 9.0/4.0-4.5      | 1.25           | 56    | C608         | Ball     | B            | None               | 11.1     | 9.1       |       |
| 1/2 | 1725      | 115/208-230 | 9.0/4.0-4.5      | 1.25           | 56    | C320         | Ball     | B            | Manual             | 11.1     | 9.1       |       |
| 1/2 | 1140      | 115/208-230 | 8.4/4.0-4.2      | 1.25           | 56    | C420         | Ball     | B            | None               | 12.2     | 10.3      |       |
| 3/4 | 1725      | 208-230/115 | 5.4-5.5/11.0     | 1.25           | 56    | C655         | Ball     | B            | None               | 11.1     | 9.1       |       |
| 3/4 | 1725      | 208-230/115 | 5.4-5.5/11.0     | 1.25           | 56    | C658         | Ball     | B            | Auto               | 11.1     | 9.1       |       |
| 3/4 | 1725      | 208-230/115 | 5.4-5.5/11.0     | 1.25           | 56    | C323         | Ball     | B            | Manual             | 11.1     | 9.1       |       |
| 3/4 | 1725/1425 | 230/115     | 4.3/8.6//4.8/9.6 | 1.25           | 56    | C526         | Ball     | B            | Auto               | 12.2     | 10.3      | 6     |
| 3/4 | 1725      | 230/115     | 5.0/10.0         | 1.00           | 56    | C639         | Ball     | A            | None               | 11.1     | 9.1       |       |
| 3/4 | 1725      | 230/115     | 5.0/10.0         | 1.00           | 56    | C187         | Ball     | A            | Auto               | 11.1     | 9.1       |       |
| 3/4 | 1140      | 208-230/115 | 4.8-5.0/10.0     | 1.25           | 56    | C324         | Ball     | B            | None               | 12.2     | 10.3      | 5,\$  |

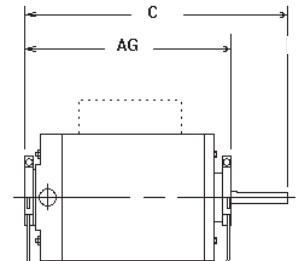
### Notes:

- \$ Energy Efficient
- 5. \$ Energy Efficient two value capacitor start, capacitor run motor
- 6. 50/60 HZ

See page 247 for mounting dimensions

### Shaft Dimensions

- 48 = 1/2" Flat x 1-5/8"
- 56 = 5/8" Keyed x 1-7/8"



## Compressors - Pumps - Blowers - Conveyors - Industrial Duty

### Features:

- Capacitor Start
- High Start Torque
- Open Dripproof
- Reversible
- Rigid Base
- 40°C Ambient
- 60 Hz



V304

**Applications:** Compressors, pumps, conveyors, milking machines, blowers, fans

### ODP, RIGID BASE, SINGLE PHASE CAPACITOR START

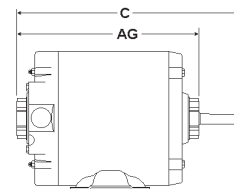
| HP    | RPM       | Volts       | Full Load Amps | Service Factor | Frame | Stock Number | Bearings | Insul. Class | Overload Protector | "C" Dim. | "AG" Dim. | Notes    |
|-------|-----------|-------------|----------------|----------------|-------|--------------|----------|--------------|--------------------|----------|-----------|----------|
| 1     | 3450      | 208-230/115 | 6.6-6.0/12.0   | 1.25           | 56    | B671         | Ball     | B            | None               | 11.4     | 9.5       |          |
| 1     | 3450      | 208-230/115 | 6.6-6.0/12.0   | 1.25           | 56    | B702         | Ball     | A            | Manual             | 11.4     | 9.5       |          |
| 1     | 1725/1425 | 115/208-230 | 14.4/6.6-7.2   | 1.25           | 56H   | OB1104AV1    | Ball     | B            | None               | 12.4     | 10.4      | 6, New!  |
| 1     | 1745      | 115/208-230 | 14.4/6.6-7.2   | 1.25           | 56H   | OB1104AV2    | Ball     | B            | Auto               | 12.3     | 10.3      | New!     |
| 1     | 1725      | 208-230/115 | 6.2-6.3/12.6   | 1.25           | 56    | C695         | Ball     | B            | None               | 11.4     | 9.5       |          |
| 1     | 1725      | 208-230/115 | 6.2-6.3/12.6   | 1.25           | 56    | C682         | Ball     | B            | Auto               | 11.4     | 9.5       |          |
| 1     | 1725      | 208-230/115 | 6.2-6.3/12.6   | 1.25           | 56    | C774         | Ball     | B            | Manual             | 11.4     | 9.5       |          |
| 1     | 1745      | 208-230/115 | 7.2-7.5/15.0   | 1.15           | 143T  | V100         | Ball     | B            | None               | 13.1     | 10.8      |          |
| 1 1/2 | 1725      | 208-230/115 | 7.8-7.5/15.0   | 1.20           | 56H   | C689         | Ball     | B            | None               | 12.7     | 10.8      | 5,\$     |
| 1 1/2 | 1725      | 208-230/115 | 7.8-7.5/15.0   | 1.20           | 56H   | C688         | Ball     | B            | Auto               | 12.7     | 10.8      | 5,\$     |
| 1 1/2 | 1745      | 208-230/115 | 7.8-7.5/15.0   | 1.20           | 145T  | V101         | Ball     | B            | None               | 13.8     | 11.5      | 5,\$     |
| 1 1/2 | 1725      | 115/208-230 | 13.4/7.2-6.7   | 1.15           | 56    | C775         | Ball     | B            | Manual             | 12.2     | 10.3      | 5,\$     |
| 2     | 3450      | 208-230/115 | 10.0-9.5/19.0  | 1.20           | 56H   | B734         | Ball     | B            | None               | 12.2     | 10.3      | 5,\$     |
| 2     | 3450      | 208-230/115 | 10.0-9.5/19.0  | 1.20           | 145T  | V110         | Ball     | B            | None               | 13.1     | 10.8      | 5,\$     |
| 2     | 3450      | 115/208-230 | 17.2/9.2-8.6   | 1.15           | 56    | B177         | Ball     | B            | Manual             | 12.7     | 10.8      | 1, 85,\$ |
| 2     | 3450      | 115/208-230 | 17.2/9.2-8.6   | 1.15           | 56    | B177L        | Ball     | B            | Manual             | 12.7     | 10.8      | New!     |
| 2     | 1725      | 115/230     | 26.8/13.4      | 1.15           | 56H   | OB1204AL     | Ball     | B            | Auto               | 14.2     | 12.2      | 376,New! |
| 2     | 1725      | 115/230     | 18.0/9.0       | 1.15           | 56H   | C210         | Ball     | B            | Manual             | 14.4     | 12.5      | 85,\$    |
| 2     | 1750      | 115/230     | 25.0/12.5      | 1.15           | 182T  | V200         | Ball     | B            | None               | 12.7     | 10.9      |          |
| 2     | 1745      | 208-230/115 | 10.0-10.2/20.4 | 1.15           | 145T  | V102         | Ball     | B            | None               | 14.3     | 12.0      | 5,\$     |
| 3     | 3500      | 115/230     | 32.0/16.0      | 1.15           | 182T  | V210         | Ball     | B            | None               | 13.7     | 10.9      |          |
| 3     | 3450      | 208-230     | 13.5-12.5      | 1.15           | 56H   | B178         | Ball     | B            | Manual             | 12.7     | 10.8      | 85,\$    |
| 3     | 3450      | 230         | 12.4           | 1.15           | 56    | B735         | Ball     | B            | None               | 12.2     | 10.3      | 5,\$     |
| 3     | 1750      | 115/230     | 34.0/17.0      | 1.15           | 184T  | V201         | Ball     | B            | None               | 14.7     | 11.9      |          |
| 3     | 1725      | 208-230     | 13.5           | 1.15           | 145T  | C218         | Ball     | B            | Manual             | 15.1     | 12.7      | 85,\$    |
| 3     | 1725      | 230         | 13.5           | 1.15           | 145T  | C058         | Ball     | F            | Auto               | 15.1     | 12.8      | 5,\$     |
| 5     | 3510      | 230         | 25.6           | 1.15           | 184T  | V211         | Ball     | B            | None               | 14.7     | 11.9      |          |
| 5     | 1745      | 230         | 22.0           | 1.15           | 184T  | V205M        | Ball     | F            | None               | 14.3     | 11.5      | 5,80,\$  |
| 5     | 1745      | 230         | 22.0           | 1.15           | 184T  | V209         | Ball     | F            | None               | 15.0     | 12.2      | 5,\$     |
| 5     | 1750      | 230/460     | 25.0/12.5      | 1.15           | 213T  | V304         | Ball     | B            | None               | 15.8     | 12.3      | 5,80,\$  |
| 7 1/2 | 3500      | 230         | 39.0           | 1.15           | 213T  | V310         | Ball     | B            | None               | 15.8     | 12.3      |          |
| 7 1/2 | 1750      | 230/460     | 32.0/16.0      | 1.15           | 215T  | V305         | Ball     | B            | None               | 17.3     | 13.8      | 5,80,\$  |
| 10    | 3500      | 230         | 42.0           | 1.15           | 215T  | V311         | Ball     | B            | None               | 17.3     | 13.8      | 5,80,\$  |
| 10    | 1750      | 230/460     | 38.0/19.0      | 1.15           | 215T  | V303         | Ball     | F            | None               | 17.9     | 14.3      | 5,80,\$  |

### Notes:

- \$ Energy Efficient
  - 1. Item to be discontinued when stock is depleted
  - 6. 60/50 HZ
  - 5. \$ Energy Efficient two value capacitor start, capacitor run motor
  - 80. Large capacitor/terminal box construction
  - 85. Energy Efficient \$- capacitor start/run
  - 376. Open, fan cooled
- See page 247 for mounting dimensions

### Shaft Dimensions

- 48 = 1/2" Flat x 1-5/8"
- 56 = 5/8" Keyed x 1-7/8"
- 56H = 5/8" Keyed x 1-7/8"
- 143T/145T = 7/8" Keyed x 2-1/4"
- 182T/184T = 1-1/8" Keyed x 2-7/8"
- 213T/215T = 1-3/8" x 3-1/2"



# NEMA "C" Face • General Purpose Industrial Motors

## Single Phase - Capacitor Start - Dripproof - No Base & Rigid Base Keyed Shaft - 1/4 thru 5 HP



### Features:

- Ball Bearing
- Class B Insulation
- Reversible
- 40°C Ambient
- 60 Hz

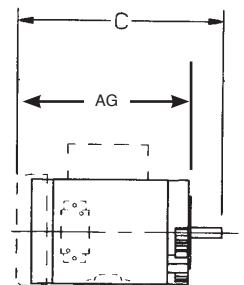
### Applications:

Designed for industrial and commercial pumps, speed reducers and other equipment that mounts directly on a NEMA "C" Face type motor.

| HP                | RPM  | Volts       | Full Load Amps | Service Factor | Frame | Stock Number | Base/ Mounting | Enclosure | Overload Protector | "C" Dim. | "AG" Dim. | Notes |
|-------------------|------|-------------|----------------|----------------|-------|--------------|----------------|-----------|--------------------|----------|-----------|-------|
| <b>NO BASE</b>    |      |             |                |                |       |              |                |           |                    |          |           |       |
| 1/4               | 1725 | 115/230     | 5.4/2.7        | 1.35           | 56C   | K1024LD      | NEMA C         | Open      | None               | 9.6      | 7.5       | 62    |
| 1/3               | 1725 | 115/230     | 6.8/3.4        | 1.50           | 56C   | K1034LV1     | C-Flange       | ODP       | None               | 10.6     | 8.5       | New!  |
| 1/2               | 1725 | 115/208-230 | 7.2/3.5-3.6    | 1.25           | 56C   | C315         | Round Frame    | ODP       | None               | 11.1     | 9.0       |       |
| 1/2               | 1725 | 115/208-230 | 7.2/3.5-3.6    | 1.25           | 56C   | C635         | Round Frame    | ODP       | Auto               | 11.1     | 9.0       |       |
| 3/4               | 1725 | 208-230/115 | 5.2-5.3/10.6   | 1.25           | 56C   | C316         | Round Frame    | ODP       | None               | 11.4     | 9.4       |       |
| 3/4               | 1725 | 208-230/115 | 5.2-5.3/10.6   | 1.25           | 56C   | C665         | Round Frame    | ODP       | Auto               | 11.4     | 9.4       |       |
| 1                 | 1725 | 208-230/115 | 7.2-6.5/13.0   | 1.25           | 56C   | C445         | Round Frame    | ODP       | None               | 12.2     | 10.1      |       |
| 1 1/2             | 1725 | 208-230/115 | 7.8-7.5/15.0   | 1.20           | 56C   | C506         | Round Frame    | ODP       | None               | 12.7     | 10.6      | 5,\$  |
| 2                 | 1745 | 208-230/115 | 10.0-10.2/20.4 | 1.15           | 145TC | V108         | Round Frame    | ODP       | None               | 13.9     | 11.7      | 5,\$  |
| <b>RIGID BASE</b> |      |             |                |                |       |              |                |           |                    |          |           |       |
| 1/3               | 3450 | 115/208-230 | 6.8/3.9-3.4    | 1.35           | 56C   | B416         | Rigid Base     | ODP       | Auto               | 10.3     | 8.3       |       |
| 1/3               | 1725 | 115/208-230 | 5.2/2.6-2.5    | 1.35           | 56C   | C235         | Rigid Base     | ODP       | None               | 11.1     | 9.0       |       |
| 1/2               | 3450 | 115/208-230 | 8.2/3.9-4.1    | 1.25           | 56C   | B513         | Rigid Base     | ODP       | Auto               | 10.6     | 8.5       |       |
| 1/2               | 1725 | 115/208-230 | 7.2/3.5-3.6    | 1.25           | 56C   | C335         | Rigid Base     | ODP       | None               | 11.1     | 9.0       |       |
| 3/4               | 3450 | 208-230/115 | 5.0-5.1/10.2   | 1.25           | 56C   | B652         | Rigid Base     | ODP       | Auto               | 11.2     | 9.1       |       |
| 3/4               | 1725 | 115/208-230 | 10.4/5.2-5.3   | 1.25           | 56C   | C446         | Rigid Base     | ODP       | None               | 11.4     | 9.3       |       |
| 1                 | 3450 | 208-230/115 | 6.4-6.4/12.8   | 1.15           | 56C   | B672         | Rigid Base     | ODP       | Auto               | 11.4     | 9.4       |       |
| 1                 | 1725 | 208-230/115 | 7.2-6.5/13.0   | 1.25           | 56C   | C530         | Rigid Base     | ODP       | None               | 12.2     | 10.1      |       |
| 1 1/2             | 3450 | 115/230     | 13.0/6.5       | 1.15           | 56C   | B870         | Rigid Base     | ODP       | Manual             | 11.5     | 9.4       | 5,\$  |
| 1 1/2             | 3450 | 208-230/115 | 9.4-9.0/18.0   | 1.15           | 56C   | B753         | Rigid Base     | ODP       | Auto               | 12.3     | 10.3      |       |
| 1 1/2             | 1725 | 115/230     | 13.4/6.7       | 1.15           | 56C   | C776         | Rigid Base     | ODP       | Manual             | 12.2     | 10.1      | 5,\$  |
| 1 1/2             | 1725 | 208-230/115 | 7.8-7.5/15.0   | 1.20           | 56C   | C508         | Rigid Base     | ODP       | None               | 12.7     | 10.6      | 5,\$  |
| 2                 | 3450 | 115/208-230 | 17.2/9.2-8.6   | 1.15           | 56C   | B860         | Rigid Base     | ODP       | Manual             | 12.7     | 10.6      | 5,\$  |
| 2                 | 3450 | 208-230/115 | 10.0-9.5/19.0  | 1.15           | 56C   | B764         | Rigid Base     | ODP       | Auto               | 12.2     | 10.1      | 5,\$  |
| 2                 | 1725 | 115/230     | 18.0/9.0       | 1.15           | 56HC  | C215         | Rigid Base     | ODP       | Manual             | 14.4     | 12.4      | 5,\$  |
| 2                 | 1745 | 208-230/115 | 10.0-10.2/20.4 | 1.15           | 145TC | V106         | Rigid Base     | ODP       | None               | 13.9     | 11.7      | 5,\$  |
| 3                 | 3500 | 115/230     | 32.0/16.0      | 1.15           | 182TC | V202         | Rigid Base     | ODP       | None               | 14.4     | 11.8      |       |
| 3                 | 1750 | 115/230     | 34.0/17.0      | 1.15           | 184TC | V212         | Rigid Base     | ODP       | None               | 15.4     | 12.8      |       |
| 5                 | 3510 | 230         | 25.6           | 1.15           | 184TC | V203         | Rigid Base     | ODP       | None               | 15.4     | 12.4      |       |

### Notes:

- \$ Energy Efficient
- 5. \$ Energy Efficient two value capacitor start, capacitor run motor
- 62. Split Phase
- See page 247 for mounting dimensions



# Century® NEMA “C” Face • General Purpose Industrial Motors

**Single Phase - Capacitor Start - Dripproof - Rigid Base  
3600 RPM & 1800 RPM - Threaded Shaft - Non-Reversible  
303 Stainless Steel Shaft - 1/4 thru 2 HP**



## Features:

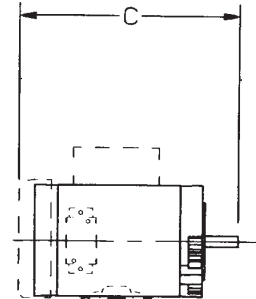
- Ball Bearing
- Class B Insulation
- CW Non-Reversible
- 40°C Ambient
- 60 Hz

**Applications:** Centrifugal pumps only

| HP  | RPM  | Volts   | Amps      | Service Factor | Frame | Stock Number | Base/<br>Mounting | Enclosure | Overload Protector | Rotation | “C”<br>Dim. | Notes     |
|-----|------|---------|-----------|----------------|-------|--------------|-------------------|-----------|--------------------|----------|-------------|-----------|
| 1/4 | 1725 | 115/230 | 5.6/2.8   | 1.35           | 56J   | C051         | Rigid Base        | ODP       | Auto               | CW       | 10.6        |           |
| 1/3 | 3450 | 115/230 | 8.6/4.3   | 1.75           | 56J   | B472         | Rigid Base        | ODP       | Auto               | CW       | 11.1        | 150       |
| 1/3 | 1725 | 115/230 | 6.2/3.1   | 1.35           | 56J   | C052         | Rigid Base        | ODP       | Auto               | CW       | 11.6        |           |
| 1/2 | 3450 | 115/230 | 10.0/5.0  | 1.60           | 56J   | B606         | Rigid Base        | ODP       | Auto               | CW       | 11.3        |           |
| 1/2 | 3450 | 115/230 | 10.0/5.0  | 1.60           | 56J   | B606DC       | Rigid Base        | ODP       | Auto               | CW       | 11.3        | 142, New! |
| 1/2 | 1725 | 115/230 | 8.2/4.1   | 1.25           | 56J   | C053         | Rigid Base        | ODP       | Auto               | CW       | 11.6        |           |
| 3/4 | 3450 | 230/115 | 6.6/13.2  | 1.50           | 56J   | B620         | Rigid Base        | ODP       | Auto               | CW       | 11.8        |           |
| 3/4 | 1725 | 230/115 | 5.8/11.6  | 1.25           | 56J   | C054         | Rigid Base        | ODP       | Auto               | CW       | 12.0        |           |
| 1   | 3450 | 230/115 | 8.1/16.2  | 1.40           | 56J   | B622         | Rigid Base        | ODP       | Auto               | CW       | 12.1        |           |
| 1   | 1725 | 230/115 | 7.2/14.4  | 1.25           | 56J   | C055         | Rigid Base        | ODP       | Auto               | CW       | 12.7        |           |
| 2   | 3450 | 230/115 | 11.2/22.4 | 1.20           | 56J   | B765         | Rigid Base        | ODP       | Auto               | CW       | 12.8        | 5,\$      |

## Notes:

- \$ Energy Efficient
- 5. \$ Energy Efficient two value capacitor start, capacitor run motor
- 142. Service factor amps
- 150. Rated 50/60 HZ
- See page 247 for mounting dimensions



# Capacitor Start TEFC C-Face Motors

## Features:

- Ball Bearing
- Capacitor Start
- Continuous Duty
- Electrically Reversible
- Keyed Shaft
- 40°C Ambient
- 60 Hz



EC1054AV1



C208

## Applications:

Designed for industrial and commercial pumps, speed reducers and other equipment that mounts directly on a NEMA "C" Face type motor.

## FOOTLESS

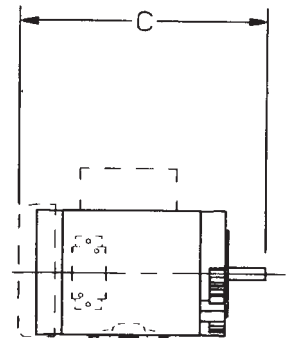
| HP    | RPM  | Volts       | Full Load Amps | Service Factor | Frame | Stock Number | Base/Mounting | Enclosure | Insul Class | Overload Protector | "C" Dim. | Notes         |
|-------|------|-------------|----------------|----------------|-------|--------------|---------------|-----------|-------------|--------------------|----------|---------------|
| 1/4   | 1725 | 115/230     | 3.3/1.7        | 1.00           | 48    | C153L        | Round Frame   | TENV      | B           | None               | 10.0     | New!          |
| 1/4   | 1140 | 115/208-230 | 5.0/2.4-2.5    | 1.15           | 56C   | C208         | Round Frame   | TEFC      | B           | None               | 12.2     | 39            |
| 1/3   | 1725 | 115/208-230 | 5.2/2.5-2.6    | 1.15           | 56C   | C155         | Round Frame   | TENV      | B           | None               | 11.0     |               |
| 1/3   | 1140 | 115/208-230 | 6.0/3.0-3.0    | 1.15           | 56C   | C209         | Round Frame   | TEFC      | B           | None               | 12.5     | 39            |
| 1/2   | 3450 | 115/208-230 | 7.4/3.7-3.7    | 1.15           | 56C   | B519         | Round Frame   | TEFC      | B           | None               | 11.3     | 39            |
| 1/2   | 1725 | 115/230     | 8.7/4.3        | 1.15           | 56C   | EC1054A      | C-Flange      | TEFC      | B           | Auto               | 11.2     | 1,6,39,48     |
| 1/2   | 1725 | 115/230     | 6.7/3.35       | 1.15           | 56C   | EC1054AV1    | C-Flange      | TEFC      | B           | Auto               | 11.2     | 6,39,48, New! |
| 1/2   | 1725 | 115/208-230 | 7.2/3.5-3.6    | 1.15           | 56C   | C907         | Round Frame   | TEFC      | B           | None               | 12.2     | 39            |
| 3/4   | 1725 | 208-230/115 | 5.4-5.2/10.4   | 1.15           | 56C   | C916         | Round Frame   | TEFC      | B           | None               | 12.5     | 39            |
| 3/4   | 1725 | 115/230     | 11.0/5.5       | 1.15           | 56C   | EC1074A      | C-Flange      | TEFC      | B           | Auto               | 11.7     | 1,6,39,48     |
| 3/4   | 1725 | 115/230     | 11.0/5.5       | 1.15           | 56C   | EC1074AL     | C-Flange      | TEFC      | B           | Auto               | 11.7     | 6,39, New!    |
| 3/4   | 1140 | 115/208-230 | 8.8/4.6-4.4    | 1.15           | 145TC | K108         | Round Frame   | TEFC      | B           | None               | 13.4     | 39,85,\$      |
| 1     | 3450 | 208-230/115 | 6.1-6.0/12.0   | 1.15           | 56C   | B793         | Round Frame   | TEFC      | B           | None               | 12.2     | 39            |
| 1     | 1725 | 208-230/115 | 6.2-6.0/12.0   | 1.15           | 56C   | C926         | Round Frame   | TEFC      | B           | None               | 13.0     | 39            |
| 1 1/2 | 3450 | 208-230/115 | 8.3-8.0/16.0   | 1.15           | 56C   | B794         | Round Frame   | TEFC      | B           | None               | 12.7     | 39            |
| 1 1/2 | 1725 | 208-230/115 | 7.7-7.5/15.0   | 1.15           | 56C   | C507         | Round Frame   | TEFC      | B           | None               | 13.7     | 39,85,\$      |
| 1 1/2 | 1725 | 115/208-230 | 15.0/7.7-7.75  | 1.15           | 145TC | K115         | Round Frame   | TEFC      | B           | None               | 14.4     | 39,85,\$      |
| 2     | 1745 | 115/208-230 | 17.8/9.6-8.9   | 1.00           | 145TC | K107         | Round Frame   | TEFC      | F           | None               | 15.2     | 39,85,\$      |

## Notes:

- \$ Energy Efficient \$
  - 1. Item to be discontinued when stock is depleted
  - 6. 60/50 HZ
  - 39. Gasketed conduit box
  - 48. 1.0 Service factor at 50 HZ
  - 85. Energy efficient \$ - capacitor start/run
- See page 247 for mounting dimensions

## Shaft Dimensions

- 56C = 5/8" Keyed x 1-7/8"
- 56J = 5/8" Threaded x 2-7/16"
- 143TC/145TC = 7/8" Keyed x 2-1/4"



# Capacitor Start TEFC Motors

## Features:

- Ball Bearing
- Capacitor Start
- Continuous Duty
- Electrically Reversible
- Keyed Shaft
- 40°C Ambient
- 60 Hz



C823

## Applications:

Designed for industrial and commercial pumps, speed reducers and other equipment that mounts directly on a NEMA "C" Face type motor.

## C-FACE – RIGID BASE

| HP    | RPM  | Volts       | Full Load Amps | Service Factor | Frame | Stock Number | Base/ Mounting | Enclosure | Insul. Class | Overload Protector | "C" Dim. | Notes           |
|-------|------|-------------|----------------|----------------|-------|--------------|----------------|-----------|--------------|--------------------|----------|-----------------|
| 1/4   | 1140 | 115/208-230 | 5.0/2.4-2.5    | 1.15           | 56C   | <b>C823</b>  | Rigid Base     | TEFC      | B            | None               | 12.0     | 167             |
| 1/3   | 3450 | 115/208-230 | 4.8/2.5-2.4    | 1.15           | 56C   | <b>B420</b>  | Rigid Base     | TENV      | B            | None               | 10.2     | 221             |
| 1/3   | 1725 | 115/208-230 | 6.4/3.2        | 1.15           | 56C   | <b>C824</b>  | Rigid Base     | TEFC      | B            | None               | 12.2     | 167             |
| 1/3   | 1140 | 115/208-230 | 6.0/3.0-3.0    | 1.15           | 56C   | <b>C825</b>  | Rigid Base     | TEFC      | B            | None               | 12.5     | 167             |
| 1/2   | 3450 | 115/208-230 | 7.4/3.5-3.7    | 1.15           | 56C   | <b>B888</b>  | Rigid Base     | TEFC      | B            | None               | 11.3     | 167             |
| 1/2   | 1725 | 115/208-230 | 7.2/3.5-3.6    | 1.15           | 56C   | <b>C826</b>  | Rigid Base     | TEFC      | B            | None               | 12.2     | 167             |
| 1/2   | 1140 | 115/208-230 | 8.4/4.0-4.2    | 1.15           | 56C   | <b>C827</b>  | Rigid Base     | TEFC      | B            | None               | 13.0     | 167             |
| 3/4   | 3450 | 208-230/115 | 5.0-4.6/9.2    | 1.15           | 56C   | <b>B889</b>  | Rigid Base     | TEFC      | B            | None               | 12.2     | 167             |
| 3/4   | 1725 | 208-230/115 | 5.4-5.2/10.4   | 1.15           | 56C   | <b>C828</b>  | Rigid Base     | TEFC      | B            | None               | 12.5     | 167             |
| 3/4   | 1140 | 208-230/115 | 4.6-4.4/8.8    | 1.15           | 56C   | <b>C829</b>  | Rigid Base     | TEFC      | B            | None               | 13.5     | 85,167,\$       |
| 1     | 3450 | 208-230/115 | 6.1-6.0/12.0   | 1.15           | 56C   | <b>B890</b>  | Rigid Base     | TEFC      | B            | None               | 12.2     | 167             |
| 1     | 1725 | 208-230/115 | 7.2-7.5/15.0   | 1.15           | 56HC  | <b>C830</b>  | Rigid Base     | TEFC      | B            | None               | 13.2     | 30,167          |
| 1 1/2 | 3450 | 115/230     | 13.0/6.5       | 1.15           | 56C   | <b>B871</b>  | Rigid Base     | TEFC      | B            | Manual             | 12.7     | 85,\$           |
| 1 1/2 | 3450 | 208-230/115 | 8.3-8.0/16.0   | 1.15           | 56C   | <b>B891</b>  | Rigid Base     | TEFC      | B            | None               | 12.7     | 167             |
| 1 1/2 | 1725 | 208-230/115 | 7.8-7.5/15.0   | 1.15           | 56HC  | <b>C831</b>  | Rigid Base     | TEFC      | B            | None               | 13.7     | 30,85,167,\$    |
| 1 1/2 | 1725 | 115/230     | 15.0/7.5       | 1.20           | 56C   | <b>C777</b>  | Rigid Base     | TEFC      | B            | Manual             | 13.7     | 85,\$           |
| 2     | 3450 | 115/208-230 | 16.6/9.1-8.4   | 1.15           | 56HC  | <b>B861</b>  | Rigid Base     | TEFC      | B            | Manual             | 14.2     | 85,\$           |
| 2     | 3450 | 208-230/115 | 9.1-8.2/16.4   | 1.15           | 56HC  | <b>B892</b>  | Rigid Base     | TEFC      | B            | None               | 15.0     | 30,85,167,\$    |
| 2     | 1725 | 115/230     | 17.0/8.5       | 1.15           | 56HC  | <b>C213</b>  | Rigid Base     | TEFC      | B            | Manual             | 14.4     | 85,\$           |
| 2     | 1725 | 208-230/115 | 9.6-8.9/17.8   | 1.15           | 56HC  | <b>C832</b>  | Rigid Base     | TEFC      | F            | None               | 14.2     | 30,85,167,87,\$ |
| 3     | 3450 | 230         | 12.0           | 1.15           | 56HC  | <b>B382</b>  | Rigid Base     | TEFC      | B            | Manual             | 15.2     | 85,\$           |
| 3     | 1750 | 115/230     | 34.0/17.0      | 1.15           | 184TC | <b>K209</b>  | Rigid Base     | TEFC      | F            | None               | 16.3     |                 |
| 5     | 1750 | 230         | 23.0           | 1.15           | 213TC | <b>K307</b>  | Rigid Base     | TEFC      | F            | None               | 18.4     | 85,87,\$        |

## 56 FRAME RESILIENT BASE

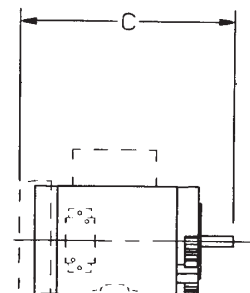
| HP  | RPM  | Volts   | Full Load Amps | Service Factor | Frame | Stock Number | Base/ Mounting | Enclosure | Insul. Class | Overload Protector | "C" Dim. | Notes |
|-----|------|---------|----------------|----------------|-------|--------------|----------------|-----------|--------------|--------------------|----------|-------|
| 1/4 | 3450 | 115/230 | 4.8/2.4        | 1.00           | 56    | <b>B417</b>  | Resilient Base | TEFC      | B            | Auto               | 11.2     | New!  |
| 1/4 | 3450 | 115/230 | 6.0/3.0        | 1.00           | 48    | <b>B183</b>  | Resilient Base | TEFC      | B            | Auto               | 11.6     | New!  |
| 1/4 | 1140 | 115/230 | 4.6/2.3        | 1.00           | 56    | <b>C061</b>  | Resilient Base | TEFC      | B            | Auto               | 11.5     | New!  |
| 1/3 | 3450 | 115/230 | 5.2/2.6        | 1.00           | 56    | <b>B418</b>  | Resilient Base | TEFC      | B            | Auto               | 11.2     | New!  |
| 1/3 | 1140 | 115/230 | 5.8/2.9        | 1.00           | 56    | <b>C062</b>  | Resilient Base | TEFC      | B            | Auto               | 12.6     | New!  |
| 1/2 | 3450 | 115/230 | 7.4/3.7        | 1.15           | 56    | <b>B658</b>  | Resilient Base | TEFC      | B            | Auto               | 11.2     | New!  |
| 1/2 | 1140 | 115/230 | 8.4/4.2        | 1.00           | 56    | <b>C344</b>  | Resilient Base | TEFC      | B            | Auto               | 12.9     | New!  |
| 3/4 | 3450 | 115/230 | 9.6/4.8        | 1.00           | 56    | <b>B659</b>  | Resilient Base | TEFC      | B            | Auto               | 12.6     | New!  |
| 3/4 | 1140 | 115/230 | 11.4/5.7       | 1.00           | 56H   | <b>B679</b>  | Resilient Base | TEFC      | B            | Auto               | 13.6     | New!  |
| 1   | 3450 | 115/230 | 12.0/6.0       | 1.00           | 56    | <b>B698</b>  | Resilient Base | TEFC      | B            | Auto               | 12.6     | New!  |
| 1   | 1140 | 115/230 | 13.6/6.8       | 1.00           | 56    | <b>B699</b>  | Resilient Base | TEFC      | B            | Auto               | 14.1     | New!  |

### Notes:

- \$ Energy Efficient \$
  - 30. 56, 140 Frame combination base (12 mounting holes)
  - 85. Energy efficient \$ - capacitor start/run
  - 87. Class F Insulation
  - 167. New Quad-Plus model – removable base (RMOV), vertical shaft up or down and steel frame construction
  - 221. Does not have conduit box
- See page 247 for mounting dimensions

### Shaft Dimensions

- 56C = 5/8" Keyed x 1-7/8"
- 56HC = 5/8" Keyed x 1-7/8"
- 145TC = 7/8" Keyed x 2"
- 184TC = 1-1/8" Keyed x 2-1/2"
- 213TC = 1-3/8" Keyed x 3-1/8"





# Capacitor Start Enclosed Rigid Base Motors

## Industrial and Farm Duty Applications

### Features:

- Ball Bearing
- Capacitor Start
- Continuous Duty
- Energy Efficient \$
- Reversible
- Rigid Base
- 40°C Ambient
- 60 Hz



K100

### Applications:

Compressors, conveyors, machine tools, pumps, air conditioning. Special service motors: air circulating fans, evaporative coolers, home workshops.

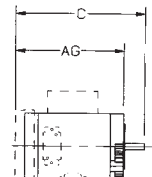
| HP    | RPM  | Volts       | Full Load Amps | Service Factor | Frame | Stock Number | Enclosure | Insul. Class | Overload Protector | "C" Dim. | "AG" Dim. | Notes     |
|-------|------|-------------|----------------|----------------|-------|--------------|-----------|--------------|--------------------|----------|-----------|-----------|
| 1/4   | 1725 | 115/230     | 3.6/1.8        | 1.00           | 48    | C198L        | TENV      | B            | None               | 10.4     | 8.8       | 115, New! |
| 1/4   | 1725 | 115/208-230 | 3.8/2.0-1.9    | 1.15           | 56    | C664         | TENV      | B            | Auto               | 11.1     | 9.1       |           |
| 1/4   | 1140 | 115/208-230 | 5.0/2.4-2.5    | 1.15           | 56    | C026         | TENV      | B            | None               | 11.1     | 9.1       |           |
| 1/3   | 3450 | 115/208-230 | 4.8/2.5-2.4    | 1.15           | 56    | B412         | TENV      | B            | None               | 10.1     | 8.1       |           |
| 1/3   | 1725 | 115/230     | 4.3/1.7        | 1.00           | 48    | C150L        | TENV      | B            | None               | 10.8     | 9.3       |           |
| 1/3   | 1725 | 115/230     | 4.6/2.3        | 1.00           | 48    | C151L        | TENV      | B            | Auto               | 9.9      | 8.3       |           |
| 1/3   | 1725 | 115/208-230 | 5.2/2.5-2.6    | 1.15           | 56    | C220         | TENV      | B            | None               | 11.1     | 9.1       |           |
| 1/3   | 1725 | 115/208-230 | 5.2/2.5-2.6    | 1.15           | 56    | C223         | TENV      | B            | Auto               | 11.1     | 9.1       |           |
| 1/3   | 1725 | 115/208-230 | 5.2/2.5-2.6    | 1.15           | 56    | C225         | TENV      | A            | Manual             | 11.1     | 9.1       |           |
| 1/3   | 1140 | 115/208-230 | 6.0/3.0-3.0    | 1.15           | 56    | C027         | TENV      | B            | None               | 11.4     | 9.5       |           |
| 1/2   | 3450 | 115/208-230 | 7.4/3.7-3.7    | 1.15           | 56    | B621         | TEFC      | B            | None               | 11.2     | 9.3       |           |
| 1/2   | 1725 | 115/208-230 | 7.2/3.5-3.6    | 1.15           | 56    | C612         | TEFC      | B            | None               | 12.2     | 10.3      |           |
| 1/2   | 1725 | 115/208-230 | 7.2/3.5-3.6    | 1.15           | 56    | C613         | TEFC      | A            | Auto               | 12.2     | 10.3      |           |
| 1/2   | 1725 | 115/208-230 | 7.2/3.5-3.6    | 1.15           | 56    | C521         | TEFC      | A            | Manual             | 12.2     | 10.3      |           |
| 1/2   | 1140 | 115/208-230 | 8.4/4.0-4.2    | 1.15           | 56    | C322         | TEFC      | B            | None               | 13.4     | 11.4      |           |
| 3/4   | 3450 | 208-230/115 | 5.0-4.6/9.2    | 1.15           | 56    | B664         | TEFC      | B            | None               | 12.2     | 10.3      |           |
| 3/4   | 1725 | 208-230/115 | 5.4-5.2/10.4   | 1.15           | 56    | C669         | TEFC      | B            | None               | 12.6     | 10.7      |           |
| 3/4   | 1725 | 208-230/115 | 5.4-5.2/10.4   | 1.15           | 56    | C671         | TEFC      | B            | Auto               | 12.6     | 10.7      |           |
| 3/4   | 1725 | 208-230/115 | 5.4-5.2/10.4   | 1.15           | 56    | C520         | TEFC      | B            | Manual             | 12.7     | 10.7      |           |
| 1     | 3450 | 208-230/115 | 6.1-6.0/12.0   | 1.15           | 56    | B674         | TEFC      | B            | None               | 12.2     | 10.3      |           |
| 1     | 3450 | 208-230/115 | 6.1-6.0/12.0   | 1.15           | 56    | B695         | TEFC      | B            | Manual             | 12.2     | 10.3      |           |
| 1     | 1725 | 208-230/115 | 7.2-7.5/15.0   | 1.15           | 56    | C683         | TEFC      | B            | None               | 13.4     | 11.4      |           |
| 1     | 1725 | 208-230/115 | 6.2-6.0/12.0   | 1.15           | 56    | C685         | TEFC      | B            | Auto               | 13.4     | 11.4      |           |
| 1     | 1725 | 208-230/115 | 6.2-6.0/12.0   | 1.15           | 56    | C620         | TEFC      | B            | Manual             | 13.4     | 11.4      |           |
| 1     | 1745 | 208-230/115 | 7.7-7.5/15.0   | 1.15           | 143T  | K100         | TEFC      | B            | None               | 13.7     | 11.4      |           |
| 1 1/2 | 3450 | 208-230/115 | 8.3-8.0/16.0   | 1.15           | 56    | B762         | TEFC      | B            | None               | 12.7     | 10.7      |           |
| 1 1/2 | 3450 | 208-230/115 | 8.3-8.0/16.0   | 1.15           | 56    | B696         | TEFC      | B            | Manual             | 12.6     | 10.7      |           |
| 1 1/2 | 1725 | 208-230/115 | 7.7-7.5/15.0   | 1.15           | 56H   | C693         | TEFC      | B            | None               | 13.9     | 11.9      | 85,\$     |
| 1 1/2 | 1725 | 208-230/115 | 7.8-7.5/15.0   | 1.15           | 56H   | C686         | TEFC      | B            | Auto               | 13.9     | 11.9      | 85,\$     |
| 1 1/2 | 1745 | 208-230/115 | 7.7-7.5/15.0   | 1.15           | 145T  | K101         | TEFC      | B            | None               | 15.0     | 12.7      | 85,\$     |
| 2     | 3450 | 208-230/115 | 9.1-8.4/16.6   | 1.15           | 56    | C802         | TEFC      | B            | None               | 14.4     | 12.4      | 85,\$     |
| 2     | 3450 | 208-230/115 | 9.1-8.4/16.6   | 1.15           | 56H   | B697         | TEFC      | B            | Manual             | 14.4     | 12.4      | 85,\$     |
| 2     | 1750 | 115/230     | 24.0/12.0      | 1.00           | 182T  | K200         | TEFC      | F            | None               | 18.0     | 15.2      |           |
| 3     | 3500 | 115/230     | 30.0/15.0      | 1.00           | 184T  | K222         | TEFC      | B            | None               | 17.9     | 15.1      |           |
| 3     | 1750 | 115/230     | 32.0/16.0      | 1.00           | 184T  | K203         | TEFC      | F            | None               | 15.9     | 13.1      |           |
| 5     | 3480 | 230         | 20.2           | 1.00           | 184T  | K223         | TEFC      | F            | None               | 17.9     | 15.1      | 85,\$     |
| 5     | 1750 | 230/460     | 23.0/11.5      | 1.00           | 213T  | K304         | TEFC      | B            | None               | 17.6     | 14.1      | 85,\$     |
| 7 1/2 | 3500 | 230         | 33.0           | 1.00           | 215T  | K314         | TEFC      | B            | None               | 19.1     | 15.6      | 85,\$     |
| 7 1/2 | 1750 | 230/460     | 34.0/17.0      | 1.00           | 215T  | K305         | TEFC      | B            | None               | 19.1     | 15.6      | 85,\$     |
| 10    | 3500 | 230         | 40.0           | 1.00           | 215T  | K315         | TEFC      | B            | None               | 19.1     | 15.6      | 85,\$     |
| 10    | 1750 | 230/460     | 39.0/19.5      | 1.00           | 215T  | K313         | TEFC      | B            | None               | 19.1     | 15.6      | 85,\$     |

### Notes:

\$ Energy Efficient \$  
 85. Energy efficient \$ - capacitor start/run  
 115. This motor is rated for operation on 60 or 50 HZ power. Full load amps listed at 60 HZ.  
 See page 247 for mounting dimensions

### Shaft Dimensions

56 = 5/8" Keyed x 1-7/8"  
 56H = 5/8" Keyed x 1-7/8"  
 143T/145T = 7/8" Keyed x 2-1/4"  
 182T/184T = 1-1/8" Keyed x 2-7/8"  
 213T/215T = 1-3/8" Keyed x 3-1/2"



# Three Phase ODP Resilient Base Motors

## Pumps - Blowers - Conveyors - Industrial Duty

### Features:

- Ball Bearing
- 40°C Ambient
- Continuous Duty
- 60 HZ



H940

| HP  | RPM       | Volts       | Full Load Amps | Service Factor | Frame | Stock Number | Enclosure | Insul. Class | Overload Protector | "C" Dim. | "AG" Dim. | Notes      |
|-----|-----------|-------------|----------------|----------------|-------|--------------|-----------|--------------|--------------------|----------|-----------|------------|
| 1/3 | 1725/1425 | 200-230/460 | 1.1-1.2/6      | 1.35           | 48Y   | H264A        | ODP       | B            | None               | 9.6      | 8.0       | 6          |
| 1/3 | 1725      | 200-230/460 | 1.4-1.6/8      | 1.35           | 56    | H262V2       | ODP       | B            | None               | 11.1     | 9.1       | New!       |
| 1/3 | 1725      | 208-230/460 | 1.9/9.5        | 1.35           | 56    | RB3034A      | ODP       | B            | Auto               | 10.8     | 8.6       | 1          |
| 1/2 | 3450      | 460/200-230 | 1.0/1.9-2.0    | 1.60           | 56    | H840         | ODP       | B            | Auto               | 12.2     | 10.3      | 35,82      |
| 1/2 | 1725      | 208-230/460 | 2.0/1.0        | 1.25           | 56    | BK3054V1     | ODP       | B            | Auto               | 11.4     | 9.5       | 26         |
| 1/2 | 1725      | 460/200-230 | 1.0/1.8-2.0    | 1.25           | 56    | H275V2       | ODP       | B            | None               | 11.1     | 9.1       | 26, New!   |
| 1/2 | 1725      | 460/200-230 | 1.0/1.9-2.0    | 1.25           | 56    | H850L        | ODP       | B            | Auto               | 12.2     | 10.3      | 82, New!   |
| 1/2 | 1725      | 575         | .70            | 1.25           | 56    | H940V1       | ODP       | B            | Auto               | 11.1     | 9.1       | New!       |
| 1/2 | 1725      | 575         | .88            | 1.25           | 56    | H957L        | ODP       | A            | None               | 10.1     | 8.1       | New!       |
| 3/4 | 3450      | 200-230/460 | 2.4/1.2        | 1.50           | 56    | H449         | ODP       | B            | None               | 11.1     | 9.1       |            |
| 3/4 | 3450      | 460/200-230 | 1.4/2.8-2.8    | 1.50           | 56    | H841V1       | ODP       | B            | Auto               | 12.7     | 10.8      | 26,35,82   |
| 3/4 | 3450      | 575         | 1.05           | 1.50           | 56    | 5BK3072      | ODP       | A            | Auto               | 11.4     | 9.5       |            |
| 3/4 | 1725      | 200-230/460 | 2.7-2.8/1.4    | 1.25           | 56    | H582V2       | ODP       | B            | None               | 10.1     | 8.1       | 26, New!   |
| 3/4 | 1725      | 208-230/460 | 2.9/1.45       | 1.25           | 56H   | BK3074       | ODP       | B            | Auto               | 11.9     | 10.0      |            |
| 3/4 | 1725      | 460/200-230 | 1.5/2.8-3.0    | 1.25           | 56    | H851V2       | ODP       | B            | Auto               | 12.2     | 10.3      | 26,82 New! |
| 3/4 | 1725      | 575         | .90            | 1.25           | 56    | H941         | ODP       | B            | Auto               | 11.1     | 9.1       | 1          |
| 3/4 | 1725      | 575         | .90            | 1.25           | 56    | H941L        | ODP       | B            | Auto               | 11.1     | 9.1       |            |
| 3/4 | 1725      | 575         | 1.0            | 1.25           | 56    | H958         | ODP       | A            | None               | 10.1     | 8.1       | 1          |
| 3/4 | 1725      | 575         | 1.0            | 1.25           | 56    | H958L        | ODP       | B            | None               | 10.4     | 8.5       | New!       |
| 1   | 3450      | 200-230/460 | 3.2-3.0/1.5    | 1.40           | 56    | H464         | ODP       | B            | None               | 11.1     | 9.1       |            |
| 1   | 3450      | 230/460     | 4.1/2.05       | 1.40           | 56H   | BK3102       | ODP       | A            | Auto               | 11.9     | 10.0      |            |
| 1   | 3450      | 460/200-230 | 1.8/3.5-3.6    | 1.40           | 56H   | H842V1       | ODP       | B            | Auto               | 12.9     | 11.0      | 26,35,82   |
| 1   | 3450      | 575         | 1.5            | 1.40           | 56H   | H950         | ODP       | B            | Auto               | 12.7     | 10.8      | 82         |
| 1   | 1725      | 200-230/460 | 3.3-3.4/1.7    | 1.30           | 56    | H1031        | TEAO      | B            | None               | 11.5     | 9.5       | 1,26       |
| 1   | 1725      | 200-230/460 | 3.3-3.4/1.7    | 1.15           | 56    | H1031L       | TEAO      | B            | None               | 11.5     | 9.5       | 26, New!   |
| 1   | 1725      | 200-230/460 | 3.4-3.6/1.8    | 1.25           | 56    | H615V2       | ODP       | B            | None               | 11.1     | 9.1       | 26, New!   |
| 1   | 1725      | 208-230/460 | 3.6/1.8        | 1.25           | 56H   | RB3104A      | Open      | B            | Auto               | 11.8     | 9.8       | 6          |
| 1   | 1725      | 460/200-230 | 2.0/3.7-4.0    | 1.15           | 56U   | H852L        | ODP       | B            | Auto               | 12.7     | 10.8      | 82, New!   |
| 1   | 1725      | 575         | 1.4            | 1.25           | 56    | H959L        | ODP       | B            | None               | 11.4     | 9.5       | New!       |
| 1   | 1725      | 575         | 1.5            | 1.15           | 56H   | H942         | ODP       | B            | Auto               | 12.7     | 10.8      | 1,82       |
| 1   | 1725      | 575         | 1.5            | 1.15           | 56H   | H942L        | ODP       | B            | Auto               | 12.7     | 10.8      | 82, New!   |

### Notes:

1. Item to be discontinued when stock is depleted
  6. 60/50 Hz
  26. Extended thru bolts, shaft end only
  35. Quick connect design bracket
  82. Horizontal mount only
- See page 247 for mounting dimensions

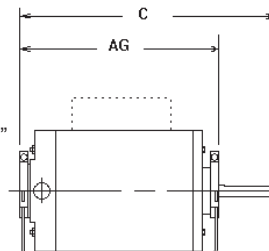
Continues on next page



Motors specially designed, tested and warranted to be **Corona-Free** for compatible inverter duty are marked on this page with a ⚡. See page 4 and 5 of this catalog for more Speed Engineered® motors information.

### Shaft Dimensions

56 = 5/8" Keyed x 1-7/8"  
56H = 5/8" Keyed x 1-7/8"



## Pumps - Blowers - Conveyors - Industrial Duty

## Features:

- Ball Bearing
- Continuous Duty
- Open Dripproof
- Single and Two-Speed
- 40°C Ambient
- 60 HZ



RB3154A

| HP        | RPM       | Speeds | Volts       | Full Load Amps  | Service Factor | Frame | Stock Number | Insul. Class | Overload Protector | "C" Dim. | "AG" Dim. | Notes       |
|-----------|-----------|--------|-------------|-----------------|----------------|-------|--------------|--------------|--------------------|----------|-----------|-------------|
| 1 1/2     | 3450      | 1      | 200-230/460 | 4.5-4.2/2.1     | 1.30           | 56    | H531         | B            | None               | 11.1     | 9.1       |             |
| 1 1/2     | 3450      | 1      | 460/200-230 | 2.3/4.7-4.6     | 1.30           | 56H   | H843V1       | B            | Auto               | 12.9     | 11.0      | 26,35,82    |
| 1 1/2     | 3450      | 1      | 575         | 1.8             | 1.15           | 56H   | H944         | B            | Auto               | 12.9     | 11.0      | 35,82       |
| 1 1/2     | 1725      | 1      | 200-230/460 | 5.3-5.6/2.8     | 1.20           | 56H   | H536L        | B            | None               | 12.2     | 10.3      | New!        |
| 1 1/2     | 1725      | 1      | 208-230/460 | 5.0/2.5         | 1.15           | 56H   | RB3154A      | B            | Auto               | 11.8     | 9.8       | 6,48        |
| 1 1/2     | 1725      | 1      | 208-230/460 | 5.0/2.5         | 1.15           | 56HZ  | RB3154AV1    | B            | Auto               | 12.3     | 10.0      | 6,15,48     |
| 1 1/2     | 1725      | 1      | 460/200-230 | 2.8/5.0-5.6     | 1.15           | 56H   | H853V2       | B            | Auto               | 12.9     | 11.0      | 82, New!    |
| 1 1/2     | 1725      | 1      | 575         | 2.0             | 1.20           | 56    | H943V1       | B            | Auto               | 11.7     | 9.8       | New!        |
| 1 1/2     | 1725      | 1      | 575         | 2.0             | 1.20           | 56H   | H960         | B            | None               | 12.2     | 10.3      | 1           |
| 1 1/2     | 1725      | 1      | 575         | 2.0             | 1.20           | 56H   | H960V1       | B            | None               | 12.2     | 10.3      | New!        |
| 1-1/2~.68 | 1745/1140 | 2      | 460         | 2.1/1.3         | 1.15           | 56H   | H1035L       | B            | None               | 12.7     | 10.8      | New!        |
| 1-1/2~.68 | 1745/1140 | 2-2-VT | 200-230     | 4.8-4.6/2.8-2.7 | 1.15           | 56H   | H1034V1      | B            | None               | 12.7     | 10.8      | New!        |
| 2         | 3450      | 1      | 200-230/460 | 6.0-5.5/2.75    | 1.20           | 56    | H538         | B            | None               | 11.4     | 9.5       |             |
| 2         | 3450      | 1      | 200-230/460 | 6.0-5.8/2.9     | 1.20           | 56H   | BK3202L      | B            | Auto               | 13.9     | 12.1      | 26          |
| 2         | 3450      | 1      | 460/200-230 | 2.9/6.0-5.8     | 1.20           | 56H   | H844         | B            | Auto               | 13.9     | 12.0      | 35,82       |
| 2         | 3450      | 1      | 575         | 2.4             | 1.20           | 56H   | H952         | B            | Auto               | 13.9     | 12.0      | 82          |
| 2         | 1725      | 1      | 208-230/460 | 7.4/3.7         | 1.15           | 56H   | RB3204       | B            | None               | 12.8     | 10.6      | 6,48        |
| 2         | 1725      | 1      | 208-230/460 | 6.2/3.1         | 1.15           | 56H   | RB3204A      | B            | Auto               | 12.8     | 10.6      | 6,48        |
| 2         | 1725      | 1      | 208-230/460 | 6.2/3.1         | 1.15           | 56HZ  | RB3204AV1    | B            | Auto               | 13.3     | 11.0      | 6,48        |
| 2         | 1725      | 1      | 460/200-230 | 3.5/6.6-7.0     | 1.15           | 56HZ  | H854L        | B            | Auto               | 13.8     | 11.5      | 15,82, New! |
| 2         | 1725      | 1      | 575         | 2.4             | 1.20           | 56HZ  | H1022        | B            | Auto               | 13.1     | 10.8      | 1,15        |
| 2         | 1725      | 1      | 575         | 2.6             | 1.20           | 56HZ  | H1022V1      | B            | Auto               | 13.1     | 10.8      | New!        |
| 3         | 3450      | 1      | 460/200-230 | 4.3/9.0-8.6     | 1.15           | 56HZ  | H845         | B            | Auto               | 13.8     | 11.5      | 15,35,82    |
| 3         | 3450      | 1      | 460/230     | 4.3/8.6         | 1.15           | 56HZ  | H1038E       | B            | Auto               | 14.6     | 11.5      | 26          |
| 3         | 3450      | 1      | 575         | 3.6             | 1.15           | 56HZ  | H954         | B            | Auto               | 13.8     | 11.5      | 15,82       |
| 3         | 1725      | 1      | 460/200-230 | 4.4/9.0-8.8     | 1.15           | 56HZ  | H855L        | F            | Auto               | 14.6     | 12.2      | 15,82, New! |
| 5         | 3450      | 1      | 208-230/460 | 13.4-13.2/6.6   | 1.15           | 56HZ  | H1039L       | B            | Auto               | 14.6     | 12.3      | 15          |

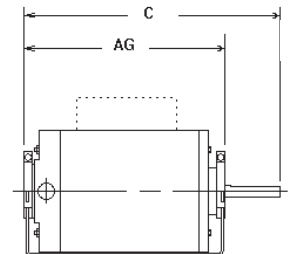
## Notes:

- Item to be discontinued when stock is depleted
  - 50/60 HZ
  - 56HZ = 7/8" key x 2-5/16" shaft
  - Extended thru bolts, shaft end only
  - Quick connect design bracket
  - 1.0 Service factor at 50 HZ
  - Horizontal mount only
- See page 247 for mounting dimensions

## Shaft Dimensions

56 = 5/8" Keyed x 1-7/8"

56H = 5/8" Keyed x 1-7/8"

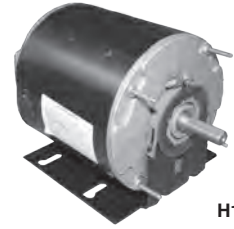


# Three Phase Totally Enclosed Resilient Base Motors

## Pumps - Blowers - Conveyors - Industrial Duty

### Features:

- Ball Bearing
- Class B Insulation
- Continuous Duty
- 40°C Ambient
- 60 HZ



H1025A

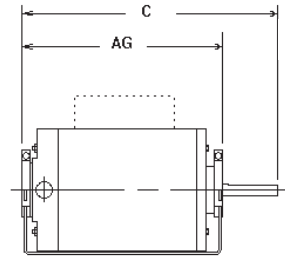
| HP  | RPM       | Volts       | Full Load Amps           | Service Factor | Frame | Stock Number | Enclosure | Overload Protector | Rotation | "C" Dim. | "AG" Dim. | Notes |
|-----|-----------|-------------|--------------------------|----------------|-------|--------------|-----------|--------------------|----------|----------|-----------|-------|
| 1/4 | 1725/1425 | 208-230/460 | 1.4-1.5/1.75             | 1.00           | 48Y   | H1025A       | TEAO      | None               | REV      | 8.4      | 7.1       | 26    |
| 1/4 | 1140      | 200-230/460 | 1.3-1.2/1.6              | 1.15           | 56    | H1026        | TENV      | None               | RCC      | 10.1     | 8.1       | 26    |
| 1/3 | 1725/1425 | 208-230/460 | 1.2-1.2/1.6, 1.4-1.4/1.7 | 1.00           | 48Y   | H1027A       | TEAO      | None               | REV      | 9.2      | 7.7       | 6,26  |
| 1/2 | 1725      | 200-230/460 | 1.6-1.8/1.9              | 1.15           | 56    | H1028        | TENV      | None               | RCC      | 11.1     | 9.1       | 26    |
| 1/2 | 1140      | 200-230/460 | 2.1-2.0/1.0              | 1.15           | 56    | H1029        | TENV      | None               | RCC      | 11.1     | 9.1       | 26    |
| 3/4 | 1725      | 200-230/460 | 2.3-2.4/1.2              | 1.15           | 56    | H1030L       | TENV      | None               | RCC      | 11.4     | 9.5       | New!  |

### Notes:

- 6. 60/50 HZ
- 26. Extended thru bolts, shaft end only
- See page 247 for mounting dimensions

### Shaft Dimensions

- 56 = 5/8" Keyed x 1-7/8"
- 56H = 5/8" Keyed x 1-7/8"



# Three Phase TEFC NEMA "C" Face General Purpose Motors

## Three Phase - Squirrel Cage - No Base 3600 - 1800 & 1200 RPM - 1/4 thru 75 HP



H751

### Features:

- Ball Bearing
- 40°C Ambient
- Keyed Shaft
- 60 HZ
- Reversible

### Applications:

Designed for industrial and commercial pumps, speed reducers and other equipment that mounts directly on a NEMA "C" Face type motor.

| HP    | RPM       | Volts       | Full Load Amps | Service Factor | Frame | Stock Number | Type    | Enclosure | Insul. Class | Cast Iron | "C" Dim. | Notes       |
|-------|-----------|-------------|----------------|----------------|-------|--------------|---------|-----------|--------------|-----------|----------|-------------|
| 1/4   | 1725      | 208-230/460 | 1.2-1.1/1.55   | 1.00           | 56C   | H157V1       |         | TENV      | B            |           | 9.5      | New!        |
| 1/3   | 3450      | 200-230/460 | 1.3-1.4/1.7    | 1.15           | 56C   | H288         |         | TENV      | B            |           | 9.2      |             |
| 1/3   | 1725/1425 | 200-230/460 | 1.3-1.2/1.6    | 1.15           | 56C   | H159L        |         | TENV      | B            |           | 10.2     | 6, New!     |
| 1/3   | 1725/1425 | 200-230/460 | 1.4-1.5/1.75   | 1.15           | 56C   | H061L        | ⊕       | TEFC      | B            |           | 11.1     | 6, 48, New! |
| 1/3   | 1140      | 200-230/460 | 1.8-1.6/1.8    | 1.15           | 56C   | H031         |         | TENV      | B            |           | 10.2     |             |
| 1/2   | 3450      | 200-230/460 | 1.9-1.8/1.9    | 1.15           | 56C   | H473         |         | TENV      | B            |           | 9.5      |             |
| 1/2   | 1725/1425 | 200-230/460 | 1.6-1.8/1.9    | 1.15           | 56C   | H062L        |         | TEFC      | B            |           | 11.6     | 6, New!     |
| 1/2   | 1725/1425 | 200-230/460 | 1.6-1.8/1.9    | 1.15           | 56C   | H256L        |         | TENV      | B            |           | 10.2     | 6, New!     |
| 3/4   | 3450      | 200-230/460 | 2.5-2.4/1.2    | 1.15           | 56C   | H563         |         | TENV      | B            |           | 10.5     |             |
| 3/4   | 1725/1425 | 200-230/460 | 2.2-2.4/1.2    | 1.15           | 56C   | H257         |         | TENV      | B            |           | 11.0     | 1, 6, 48    |
| 3/4   | 1725/1425 | 200-230/460 | 2.2-2.4/1.2    | 1.15           | 56C   | H257L        |         | TENV      | B            |           | 11.4     | 6, New!     |
| 3/4   | 1725/1425 | 200-230/460 | 2.5-2.4/1.2    | 1.15           | 56C   | H063L        | ⊕       | TEFC      | B            |           | 11.7     | 6, New!     |
| 3/4   | 1140      | 200-230/460 | 4.0-4.0/2.0    | 1.15           | 56C   | H035         |         | TEFC      | B            |           | 12.2     |             |
| 1     | 3450      | 200-230/460 | 3.2-3.0/1.5    | 1.15           | 56C   | H633         |         | TEFC      | B            |           | 11.3     |             |
| 1     | 1730      | 230/460     | 2.8/1.4        | 1.15           | 143TC | TCF82026E    | E+3(NP) | TEFC      | F            | √         | 13.2     | New!        |
| 1     | 1725/1425 | 200-230/460 | 3.3-3.2/1.6    | 1.15           | 56C   | H921L        |         | TEFC      | B            |           | 12.0     | 6, New!     |
| 1     | 1725/1425 | 200-230/460 | 3.3-3.2/1.6    | 1.15           | 143TC | H064L        | ⊕       | TEFC      | B            |           | 12.7     | 6, 48, New! |
| 1     | 1140      | 230/460     | 3.4/1.7        | 1.15           | 145TC | TCF82051E    | E+3(NP) | TEFC      | F            | √         | 13.2     | New!        |
| 1 1/2 | 3470      | 230/460     | 3.8/1.9        | 1.15           | 143TC | TCF82002E    | E+3(NP) | TEFC      | F            | √         | 13.2     | New!        |
| 1 1/2 | 3450      | 200-230/460 | 4.5-4.2/2.1    | 1.15           | 56C   | H751         |         | TEFC      | B            |           | 11.7     |             |
| 1 1/2 | 1730      | 230/460     | 4.2/2.1        | 1.15           | 145TC | TCF82027E    | E+3(NP) | TEFC      | F            | √         | 13.2     | New!        |
| 1 1/2 |           | 200-230/460 | 4.5-4.4/2.2    | 1.15           | 56C   | H931L        |         | TEFC      | B            |           | 12.4     | New!        |
| 1 1/2 | 1165      | 230/460     | 4.8/2.4        | 1.15           | 182TC | TCF82052E    | E+3(NP) | TEFC      | F            | √         | 15.4     | New!        |
| 2     | 3475      | 230/460     | 5.0/2.5        | 1.15           | 145TC | TCF82003E    | E+3(NP) | TEFC      | F            | √         | 13.2     | New!        |
| 2     | 3450      | 200-230/460 | 6.0-5.5/2.75   | 1.15           | 56C   | H753         |         | TEFC      | B            |           | 12.2     |             |
| 2     | 3450      | 575         | 2.2            | 1.00           | 56C   | H948         |         | TEFC      | B            |           | 12.6     | 1           |
| 2     | 1730      | 230/460     | 5.6/2.8        | 1.15           | 145TC | TCF82028E    | E+3(NP) | TEFC      | F            | √         | 13.2     | New!        |
| 2     | 1725/1425 | 200-230/460 | 6.0-5.8/2.9    | 1.15           | 56C   | H703L        |         | TEFC      | B            |           | 13.2     | 6, 48, New! |
| 2     | 1165      | 230/460     | 5.8/2.9        | 1.15           | 184TC | TCF82053E    | E+3(NP) | TEFC      | F            | √         | 15.4     | New!        |

### Notes:

- Item to be discontinued when stock is depleted
- 60/50 Hertz
- 1.0 Service Factor at 50 Hz

Published efficiency on tri-voltage rated motors applies at 230/460 volts. Performance at 200 or 208 volts may not be in accordance with NEMA standards.

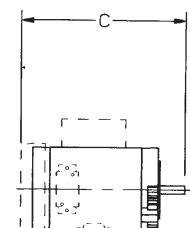
Continues on next page



Motors specially designed, tested and warranted to be Corona-Free for compatible inverter duty are marked on this page with a ⊕. See page 4 and 5 of this catalog for more Speed Engineered® motors information.

### Shaft Dimensions

- 56C = 5/8" Keyed x 1-7/8"
- 56HC = 5/8" Keyed x 1-7/8"
- 143TC/145TC = 7/8" Keyed x 2-1/4"
- 182TC/184TC = 1-1/8" x 2-3/4"
- 213TC/215TC = 1-3/8" x 2-3/4"



# Three Phase TEFC NEMA "C" Face General Purpose Motors

Continued from previous page

## Three Phase - Squirrel Cage - No Base 3600 - 1800 & 1200 RPM - 1/4 thru 75 HP

### Features:

- Ball Bearing
- Keyed Shaft
- Reversible
- 40°C Ambient
- 60 HZ



H803

### Applications:

Designed for industrial and commercial pumps, speed reducers and other equipment that mounts directly on a NEMA "C" Face type motor.

| HP    | RPM  | Volts       | Full Load Amps | Service Factor | Frame  | Stock Number | Type    | Enclosure | Insul. Class | Cast Iron | "C" Dim. | Notes |
|-------|------|-------------|----------------|----------------|--------|--------------|---------|-----------|--------------|-----------|----------|-------|
| 3     | 3505 | 230/460     | 7.2/3.6        | 1.15           | 182TC  | TCF82004E ⚡  | E+3(NP) | TEFC      | F            | ✓         | 15.4     | New!  |
| 3     | 3450 | 200-230/460 | 8.5-8.2/4.1    | 1.15           | 56C    | H803         |         | TEFC      | B            |           | 13.2     |       |
| 3     | 1750 | 230/460     | 8.0/4.0        | 1.15           | 182TC  | TCF82029 ⚡   |         | TEFC      | F            | ✓         | 15.4     | 1     |
| 3     | 1745 | 230/460     | 7.8/3.9        | 1.15           | 182TC  | TCF82029E ⚡  | E+3(NP) | TEFC      | F            | ✓         | 15.4     | New!  |
| 3     | 1170 | 230/460     | 8.6/4.3        | 1.15           | 213TC  | TCF82054E ⚡  | E+3(NP) | TEFC      | F            | ✓         | 19.4     | New!  |
| 5     | 3505 | 230/460     | 11.6/5.8       | 1.15           | 184TC  | TCF82005E ⚡  | E+3(NP) | TEFC      | F            | ✓         | 15.4     | New!  |
| 5     | 1745 | 230/460     | 12.8/6.4       | 1.15           | 184TC  | TCF82030E ⚡  | E+3(NP) | TEFC      | F            | ✓         | 15.4     | New!  |
| 5     | 1170 | 230/460     | 13.8/6.9       | 1.15           | 215TC  | TCF82055E ⚡  | E+3(NP) | TEFC      | F            | ✓         | 19.4     | New!  |
| 7 1/2 | 3500 | 230/460     | 18.0/9.0       | 1.15           | 213TC  | TCF82006E ⚡  | E+3(NP) | TEFC      | F            | ✓         | 19.4     | New!  |
| 7 1/2 | 1750 | 230/460     | 18.2/9.1       | 1.15           | 213TC  | TCF82031E ⚡  | E+3(NP) | TEFC      | F            | ✓         | 19.4     | New!  |
| 7 1/2 | 1170 | 230/460     | 20.2/10.1      | 1.15           | 254TC  | TCF82056E ⚡  | E+3(NP) | TEFC      | F            | ✓         | 25.1     | New!  |
| 10    | 3500 | 230/460     | 23.0/11.5      | 1.15           | 215TC  | TCF82007E ⚡  | E+3(NP) | TEFC      | F            | ✓         | 19.4     | New!  |
| 10    | 1750 | 230/460     | 23.8/11.9      | 1.15           | 215TC  | TCF82032E ⚡  | E+3(NP) | TEFC      | F            | ✓         | 19.4     | New!  |
| 10    | 1170 | 230/460     | 26.4/13.2      | 1.15           | 256TC  | TCF82057E ⚡  | E+3(NP) | TEFC      | F            | ✓         | 25.1     | New!  |
| 15    | 3510 | 230/460     | 34.6/17.3      | 1.15           | 254TC  | TCF82008E ⚡  | E+3(NP) | TEFC      | F            | ✓         | 25.1     | New!  |
| 15    | 1760 | 230/460     | 37.0/18.5      | 1.15           | 254TC  | TCF82033E ⚡  | E+3(NP) | TEFC      | F            | ✓         | 25.1     | New!  |
| 15    | 1170 | 230/460     | 38.8/19.4      | 1.15           | 284TC  | TCF82058E ⚡  | E+3(NP) | TEFC      | F            | ✓         | 26.9     | New!  |
| 20    | 3510 | 230/460     | 46.0/23.0      | 1.15           | 256TC  | TCF82009E ⚡  | E+3(NP) | TEFC      | F            | ✓         | 25.1     | New!  |
| 20    | 1760 | 230/460     | 49.0/24.5      | 1.15           | 256TC  | TCF82034E ⚡  | E+3(NP) | TEFC      | F            | ✓         | 25.1     | New!  |
| 20    | 1170 | 230/460     | 51.0/25.5      | 1.15           | 286TC  | TCF82059E ⚡  | E+3(NP) | TEFC      | F            | ✓         | 28.4     | New!  |
| 25    | 3520 | 230/460     | 57.4/28.7      | 1.15           | 284TSC | TCF82010E ⚡  | E+3(NP) | TEFC      | F            | ✓         | 25.5     | New!  |
| 25    | 1765 | 230/460     | 60.0/30.0      | 1.15           | 284TC  | TCF82035E ⚡  | E+3(NP) | TEFC      | F            | ✓         | 26.9     | New!  |
| 25    | 1175 | 230/460     | 60.4/30.2      | 1.15           | 324TC  | TCF82060E ⚡  | E+3(NP) | TEFC      | F            | ✓         | 29.7     | New!  |
| 30    | 3525 | 230/460     | 68.2/34.1      | 1.15           | 286TSC | TCF82011E ⚡  | E+3(NP) | TEFC      | F            | ✓         | 27.0     | New!  |
| 30    | 1765 | 230/460     | 72.0/36.0      | 1.15           | 286TC  | TCF82036E ⚡  | E+3(NP) | TEFC      | F            | ✓         | 28.4     | New!  |
| 30    | 1175 | 230/460     | 72.0/36.0      | 1.15           | 326TC  | TCF82061E ⚡  | E+3(NP) | TEFC      | F            | ✓         | 31.4     | New!  |
| 40    | 3530 | 230/460     | 93.4/46.7      | 1.15           | 324TSC | TCF82012E ⚡  | E+3(NP) | TEFC      | F            | ✓         | 28.2     | New!  |
| 40    | 1770 | 230/460     | 94.8/47.4      | 1.15           | 324TC  | TCF82037E ⚡  | E+3(NP) | TEFC      | F            | ✓         | 29.7     | New!  |
| 40    | 1180 | 230/460     | 96.0/48.0      | 1.15           | 364TC  | TCF82062E ⚡  | E+3(NP) | TEFC      | F            | ✓         | 32.5     | New!  |
| 50    | 3550 | 230/460     | 114.0/57.0     | 1.15           | 326TSC | TCF82013E ⚡  | E+3(NP) | TEFC      | F            | ✓         | 29.9     | New!  |
| 50    | 1770 | 230/460     | 118.0/59.0     | 1.15           | 326TC  | TCF82038E ⚡  | E+3(NP) | TEFC      | F            | ✓         | 31.1     | New!  |
| 50    | 1180 | 230/460     | 120.0/60.0     | 1.15           | 365TC  | TCF82063E ⚡  | E+3(NP) | TEFC      | F            | ✓         | 33.5     | New!  |
| 60    | 3565 | 230/460     | 136.0/68.0     | 1.15           | 364TSC | TCF82014E ⚡  | E+3(NP) | TEFC      | F            | ✓         | 30.4     | New!  |
| 60    | 1770 | 230/460     | 143.0/71.5     | 1.15           | 364TC  | TCF82039E ⚡  | E+3(NP) | TEFC      | F            | ✓         | 32.5     | New!  |
| 60    | 1180 | 230/460     | 148.0/74.0     | 1.15           | 404TC  | TCF82064E ⚡  | E+3(NP) | TEFC      | F            | ✓         | 40.6     | New!  |
| 75    | 3565 | 230/460     | 168.0/84.0     | 1.15           | 365TSC | TCF82015E ⚡  | E+3(NP) | TEFC      | F            | ✓         | 31.4     | New!  |
| 75    | 1770 | 230/460     | 180.0/90.0     | 1.15           | 365TC  | TCF82040E ⚡  | E+3(NP) | TEFC      | F            | ✓         |          | New!  |

### Notes:

1. Item to be discontinued when stock is depleted

Continues on next page

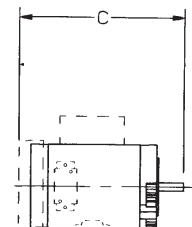
Published efficiency on tri-voltage rated motors applies at 230/460 volts. Performance at 200 or 208 volts may not be in accordance with NEMA standards.



Motors specially designed, tested and warranted to be **Corona-Free** for compatible inverter duty are marked on this page with a ⚡. See page 4 and 5 of this catalog for more Speed Engineered® motors information.

### Shaft Dimensions

- 56C = 5/8" Keyed x 1-7/8"
- 56HC = 5/8" Keyed x 1-7/8"
- 143TC/145TC = 7/8" Keyed x 2-1/4"
- 182TC/184TC = 1-1/8" x 2-3/4"
- 213TC/215TC = 1-3/8" x 2-3/4"





# Three Phase TEFC NEMA "C" Face General Purpose Motors

## Three Phase - Squirrel Cage - TEFC - Rigid Base and Removable Base 3600 - 1800 & 1200 RPM - 1/4 thru 75 HP



### Features:

- Ball Bearing
- Reversible
- Keyed Shaft
- 60 HZ
- 40°C Ambient
- Inverter Duty Motors NEMA Design B

### Applications:

Designed for industrial and commercial pumps, speed reducers and other equipment that mounts directly on a NEMA "C" Face type motor.

| HP    | RPM  | Volts       | Full Load Amps | Service Factor | Frame | Stock Number | Type      | Base/ Mounting | Insul. Class | Cast Iron | "C" Dim. | Notes    |
|-------|------|-------------|----------------|----------------|-------|--------------|-----------|----------------|--------------|-----------|----------|----------|
| 1/4   | 1140 | 208-230/460 | 1.3-1.2/1.6    | 1.15           | 56C   | H1000        |           | Removable Base | B            |           | 11.3     |          |
| 1/3   | 3450 | 208-230/460 | 1.3-1.4/1.7    | 1.15           | 56C   | H1001        |           | Removable Base | B            |           | 11.3     | 72       |
| 1/3   | 1725 | 208-230/460 | 1.3-1.2/1.6    | 1.15           | 56C   | H1002L       |           | Rigid Base     | B            |           | 11.7     | New!     |
| 1/3   | 1140 | 208-230/460 | 1.8-1.6/1.8    | 1.15           | 56C   | H1003        |           | Rigid Base     | B            |           | 11.3     |          |
| 1/2   | 3450 | 208-230/460 | 1.5-1.4/1.7    | 1.15           | 56C   | H1004        |           | Rigid Base     | B            |           | 11.3     |          |
| 1/2   | 1725 | 208-230/460 | 1.6-1.8/1.9    | 1.15           | 56C   | H1005        |           | Rigid Base     | B            |           | 11.7     |          |
| 1/2   | 1140 | 208-230/460 | 2.1-2.0/1.0    | 1.15           | 56C   | H1006        |           | Rigid Base     | B            |           | 12.2     |          |
| 3/4   | 3450 | 208-230/460 | 2.6-2.4/1.2    | 1.15           | 56C   | H1007        |           | Rigid Base     | B            |           | 11.3     |          |
| 3/4   | 1725 | 208-230/460 | 2.5-2.4/1.2    | 1.15           | 56C   | H1008L       |           | Rigid Base     | B            |           | 11.7     | New!     |
| 3/4   | 1140 | 208-230/460 | 3.2/1.6        | 1.15           | 56C   | H1009        |           | Rigid Base     | B            |           | 12.2     |          |
| 1     | 3450 | 208-230/460 | 3.1-3.2/1.6    | 1.15           | 56C   | H1010        |           | Rigid Base     | B            |           | 11.3     |          |
| 1     | 1745 | 230/460     | 3.0/1.5        | 1.15           | 143TC | E1026L       | ☼         | Rigid Base     | B            |           | 13.9     |          |
| 1     | 1730 | 230/460     | 2.8/1.4        | 1.15           | 143TC | TCF81026E    |           | Rigid Base     | F            |           | 13.2     | New!     |
| 1     | 1725 | 208-230/460 | 3.3-3.2/1.6    | 1.15           | 56HC  | H1011L       |           | Rigid Base     | B            |           | 13.0     | 30, New! |
| 1     | 1140 | 208-230/460 | 4.2-3.8/1.9    | 1.15           | 56C   | H1012        |           | Rigid Base     | B            |           | 12.5     |          |
| 1     | 1140 | 230/460     | 3.4/1.7        | 1.15           | 145TC | TCF81051E    | ☼ E+3(NP) | Rigid Base     | F            | ✓         | 13.2     | New!     |
| 1 1/2 | 3450 | 208-230/460 | 4.5-4.2/2.1    | 1.15           | 56C   | H1013        |           | Rigid Base     | B            |           | 11.7     |          |
| 1 1/2 | 3470 | 230/460     | 3.8/1.9        | 1.15           | 143TC | TCF81002E    | ☼ E+3(NP) | Rigid Base     | F            | ✓         | 13.2     | New!     |
| 1 1/2 | 1730 | 230/460     | 4.2/2.1        | 1.15           | 145TC | TCF81027E    | ☼ E+3(NP) | Rigid Base     | F            | ✓         | 13.2     | New!     |
| 1 1/2 | 1725 | 208-230/460 | 4.5-4.4/2.2    | 1.15           | 56HC  | H1014L       |           | Rigid Base     | B            |           | 13.0     | New!     |
| 1 1/2 | 1165 | 230/460     | 4.8/2.4        | 1.15           | 182TC | TCF81052E    | ☼ E+3(NP) | Rigid Base     | F            | ✓         | 15.4     | New!     |
| 2     | 3450 | 208-230/460 | 6.0-5.6/2.8    | 1.15           | 56HC  | H1015        |           | Rigid Base     | B            |           | 13.0     | 30       |
| 2     | 3450 | 230/460     | 5.4/2.7        | 1.15           | 143TC | E1028        |           | Rigid Base     | B            |           | 13.9     | 1        |
| 2     | 3475 | 230/460     | 5.0/2.5        | 1.15           | 145TC | TCF81003E    | ☼ E+3(NP) | Rigid Base     | F            | ✓         | 13.2     | New!     |
| 2     | 1730 | 230/460     | 5.6/2.8        | 1.15           | 145TC | TCF81028E    | ☼ E+3(NP) | Rigid Base     | F            | ✓         | 13.2     | New!     |
| 2     | 1725 | 208-230/460 | 6.0-5.8/2.9    | 1.15           | 56HC  | H1016L       |           | Rigid Base     | B            |           | 13.2     | New!     |
| 2     | 1165 | 230/460     | 5.8/2.9        | 1.15           | 184TC | TCF81053E    | ☼ E+3(NP) | Rigid Base     | F            | ✓         | 15.4     | New!     |
| 3     | 3450 | 208-230/460 | 9.6-9.8/4.9    | 1.15           | 56HC  | H1017        |           | Rigid Base     | B            |           | 15.0     | 30       |
| 3     | 3505 | 230/460     | 7.2/3.6        | 1.15           | 182TC | TCF81004E    | ☼ E+3(NP) | Rigid Base     | F            | ✓         | 15.4     | New!     |
| 3     | 3450 | 575         | 3.1            | 1.00           | 56C   | H949         |           | Rigid Base     | B            |           | 13.7     |          |
| 3     | 1745 | 230/460     | 7.8/3.9        | 1.15           | 182TC | TCF81029E    | ☼ E+3(NP) | Rigid Base     | F            | ✓         | 15.4     | New!     |
| 3     | 1170 | 230/460     | 8.6/4.3        | 1.15           | 213TC | TCF81054E    | ☼ E+3(NP) | Rigid Base     | F            | ✓         | 19.4     | New!     |

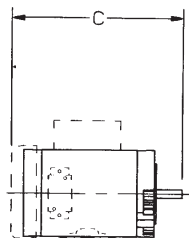
### Notes:

1. Item to be discontinued when stock is depleted
30. 56, 140 Frame combination base (12 mounting holes)
72. No brake kit available

Published efficiency on tri-voltage rated motors applies at 230/460 volts. Performance at 200 or 208 volts may not be in accordance with NEMA standards.



Motors specially designed, tested and warranted to be **Corona-Free** for compatible inverter duty are marked on this page with a ☼. See page 4 and 5 of this catalog for more Speed Engineered® motors information.



Continues on next page

# Three Phase TEFC NEMA "C" Face General Purpose Motors

Continued from previous page

## Three Phase - Squirrel Cage - TEFC - Rigid Base 3600 - 1800 & 1200 RPM - 1/4 thru 75 HP



TCF81005E

### Features:

- Ball Bearing
- Reversible
- Class F Insulation
- NEMA Design B
- Keyed Shaft
- 60 HZ
- 40°C Ambient

### Applications:

Designed for industrial and commercial pumps, speed reducers and other equipment that mounts directly on a NEMA "C" Face type motor.

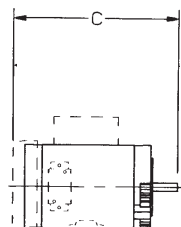
| HP    | RPM  | Volts   | Full Load Amps | Service Factor | Frame  | Stock Number | Type    | Base/<br>Mounting | Enclosure | Cast Iron | "C" Dim. | Notes     |
|-------|------|---------|----------------|----------------|--------|--------------|---------|-------------------|-----------|-----------|----------|-----------|
| 5     | 3505 | 230/460 | 11.6/5.8       | 1.15           | 184TC  | TCF81005E    | E+3(NP) | Rigid Base        | TEFC      | ✓         | 15.4     | New!      |
| 5     | 1745 | 230/460 | 12.8/6.4       | 1.15           | 184TC  | TCF81030E    | E+3(NP) | Rigid Base        | TEFC      | ✓         | 19.4     | New!      |
| 5     | 1170 | 230/460 | 13.8/6.9       | 1.15           | 215TC  | TCF81055E    | E+3(NP) | Rigid Base        | TEFC      | ✓         | 19.4     | New!      |
| 7 1/2 | 3500 | 230/460 | 18.0/9.0       | 1.15           | 213TC  | TCF81006E    | E+3(NP) | Rigid Base        | TEFC      | ✓         | 19.4     | New!      |
| 7 1/2 | 1750 | 230/460 | 18.2/9.1       | 1.15           | 213TC  | TCF81031E    | E+3(NP) | Rigid Base        | TEFC      | ✓         | 19.4     | New!      |
| 7 1/2 | 1170 | 230/460 | 20.2/10.1      | 1.15           | 254TC  | TCF81056E    | E+3(NP) | Rigid Base        | TEFC      | ✓         | 25.1     | New!      |
| 10    | 3495 | 230/460 | 24.0/12.0      | 1.15           | 215TC  | TCF81007E    | E+      | Rigid Base        | TEFC      | ✓         | 19.4     | 1,362,363 |
| 10    | 3500 | 230/460 | 23.0/11.5      | 1.15           | 215TC  | TCF81007E    | E+3(NP) | Rigid Base        | TEFC      | ✓         | 19.4     | New!      |
| 10    | 1750 | 230/460 | 23.8/11.9      | 1.15           | 215TC  | TCF81032E    | E+3(NP) | Rigid Base        | TEFC      | ✓         | 19.4     | New!      |
| 10    | 1170 | 230/460 | 26.4/13.2      | 1.15           | 256TC  | TCF81057E    | E+3(NP) | Rigid Base        | TEFC      | ✓         | 25.1     | New!      |
| 15    | 3510 | 230/460 | 34.6/17.3      | 1.15           | 254TC  | TCF81008E    | E+3(NP) | Rigid Base        | TEFC      | ✓         | 25.1     | New!      |
| 15    | 1760 | 230/460 | 37.0/18.5      | 1.15           | 254TC  | TCF81033E    | E+3(NP) | Rigid Base        | TEFC      | ✓         | 25.1     | New!      |
| 15    | 1170 | 230/460 | 38.8/19.4      | 1.15           | 284TC  | TCF81058E    | E+3(NP) | Rigid Base        | TEFC      | ✓         | 26.9     | New!      |
| 20    | 3510 | 230/460 | 46.0/23.0      | 1.15           | 256TC  | TCF81009E    | E+3(NP) | Rigid Base        | TEFC      | ✓         | 25.1     | New!      |
| 20    | 1760 | 230/460 | 49.0/24.5      | 1.15           | 256TC  | TCF81034E    | E+3(NP) | Rigid Base        | TEFC      | ✓         | 25.1     | New!      |
| 20    | 1170 | 230/460 | 51.0/25.5      | 1.15           | 286TC  | TCF81059E    | E+3(NP) | Rigid Base        | TEFC      | ✓         | 28.4     | New!      |
| 25    | 3520 | 230/460 | 57.4/28.7      | 1.15           | 284TSC | TCF81010E    | E+3(NP) | Rigid Base        | TEFC      | ✓         | 25.5     | New!      |
| 25    | 1765 | 230/460 | 60.0/30.0      | 1.15           | 284TC  | TCF81035E    | E+3(NP) | Rigid Base        | TEFC      | ✓         | 26.9     | New!      |
| 25    | 1175 | 230/460 | 60.4/30.2      | 1.15           | 324TC  | TCF81060E    | E+3(NP) | Rigid Base        | TEFC      | ✓         | 29.7     | New!      |
| 30    | 3525 | 230/460 | 68.2/34.1      | 1.15           | 286TSC | TCF81011E    | E+3(NP) | Rigid Base        | TEFC      | ✓         | 27.0     | New!      |
| 30    | 1765 | 230/460 | 72.0/36.0      | 1.15           | 286TC  | TCF81036E    | E+3(NP) | Rigid Base        | TEFC      | ✓         | 28.4     | New!      |
| 30    | 1175 | 230/460 | 72.0/36.0      | 1.15           | 326TC  | TCF81061E    | E+3(NP) | Rigid Base        | TEFC      | ✓         | 31.4     | New!      |
| 40    | 3530 | 230/460 | 93.4/46.7      | 1.15           | 324TSC | TCF81012E    | E+3(NP) | Rigid Base        | TEFC      | ✓         | 28.2     | New!      |
| 40    | 1770 | 230/460 | 94.8/47.4      | 1.15           | 324TC  | TCF81037E    | E+3(NP) | Rigid Base        | TEFC      | ✓         | 29.7     | 8, New!   |
| 40    | 1180 | 230/460 | 96.0/48.0      | 1.15           | 364TC  | TCF81062E    | E+3(NP) | Rigid Base        | TEFC      | ✓         | 32.5     | New!      |
| 50    | 3550 | 230/460 | 114.0/57.0     | 1.15           | 326TSC | TCF81013E    | E+3(NP) | Rigid Base        | TEFC      | ✓         | 29.9     | New!      |
| 50    | 1765 | 230/460 | 118.0/59.0     | 1.15           | 326TC  | TCF81038E    | E+      | Rigid Base        | TEFC      | ✓         | 31.4     | 1,362,364 |
| 50    | 1770 | 230/460 | 118.0/59.0     | 1.15           | 326TC  | TCF81038E    | E+3(NP) | Rigid Base        | TEFC      | ✓         | 31.4     | New!      |
| 50    | 1180 | 230/460 | 120.0/60.0     | 1.15           | 365TC  | TCF81063E    | E+3(NP) | Rigid Base        | TEFC      | ✓         | 33.5     | New!      |
| 60    | 3565 | 230/460 | 136.0/68.0     | 1.15           | 364TSC | TCF81014E    | E+3(NP) | Rigid Base        | TEFC      | ✓         | 30.4     | New!      |
| 60    | 1770 | 230/460 | 143.0/71.5     | 1.15           | 364TC  | TCF81039E    | E+3(NP) | Rigid Base        | TEFC      | ✓         | 32.5     | New!      |
| 60    | 1180 | 230/460 | 148.0/74.0     | 1.15           | 404TC  | TCF81064E    | E+3(NP) | Rigid Base        | TEFC      | ✓         | 39.7     | New!      |
| 75    | 3565 | 230/460 | 168.0/84.0     | 1.15           | 365TSC | TCF81015E    | E+3(NP) | Rigid Base        | TEFC      | ✓         | 31.4     | New!      |
| 75    | 1770 | 230/460 | 180.0/90.0     | 1.15           | 365TC  | TCF81040E    | E+3(NP) | Rigid Base        | TEFC      | ✓         | 33.5     | New!      |
| 75    | 1180 | 230/460 | 181.0/90.5     | 1.15           | 405TC  | TCF81065E    | E+3(NP) | Rigid Base        | TEFC      | ✓         | 40.6     | New!      |

### Notes:

1. Item to be discontinued when stock is depleted
8. NEMA design A
362. 12 lead – capability for Y Start-Delta Run
363. Double shielded bearings with no regreasing provisions
364. Open bearings with regreasing provisions



Motors specially designed, tested and warranted to be **Corona-Free** for compatible inverter duty are marked on this page with a ⚡. See page 4 and 5 of this catalog for more Speed Engineered® motors information.



# Century® NEMA “C” Face • General Purpose Industrial Motors

## Squirrel Cage - Three Phase - Dripproof

### No Base, Rigid & Removable Base, 3600 - 1800 & 1200 RPM - 1/4 thru 20 HP

#### Features:

- Double Sealed Ball Bearing
- Reversible
- 60 HZ
- 40°C Ambient



#### Applications:

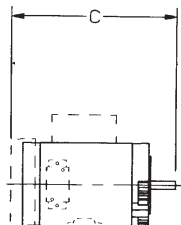
Designed for industrial and commercial pumps, speed reducers and other equipment that mounts directly on a NEMA “C” Face type motor.

| HP    | RPM       | Volts       | Full Load Amps | Service Factor | Frame | Stock Number | Bearings | Base/ Mounting | Insul Class | Shaft    | “C” Dim. | Notes        |
|-------|-----------|-------------|----------------|----------------|-------|--------------|----------|----------------|-------------|----------|----------|--------------|
| 1/4   | 1140      | 200-230/460 | 1.3-1.2/1.6    | 1.35           | 56C   | H021         | Ball     | Round Frame    | B           | Keyed    | 10.1     |              |
| 1/3   | 3450/2850 | 200-230/460 | 2.0-1.8/1.9    | 1.75           | 56C   | H251         | Ball     | Round Frame    | B           | Keyed    | 10.5     | 6,48,142,267 |
| 1/3   | 3450/2850 | 200-230/460 | 1.3-1.4/1.7    | 1.75           | 56J   | H285         | Ball     | Rigid Base     | B           | Threaded | 10.3     | 6,12,48      |
| 1/3   | 3450/2850 | 200-230/460 | 1.3-1.4/1.7    | 1.75           | 56C   | H284         | Ball     | Rigid Base     | B           | Keyed    | 9.8      | 6,48         |
| 1/3   | 1725      | 200-230/460 | 1.4-1.6/1.8    | 1.35           | 56C   | H158L        | Ball     | Round Frame    | B           | Keyed    |          | New!         |
| 1/3   | 1725      | 200-230/460 | 1.4-1.6/1.8    | 1.35           | 56J   | H043         | Ball     | Rigid Base     | B           | Threaded | 10.3     | 1,12         |
| 1/3   | 1725      | 200-230/460 | 1.4-1.6/1.8    | 1.35           | 56J   | H043L        | Ball     | Rigid Base     | B           | Threaded |          | New!         |
| 1/3   | 1140      | 200-230/460 | 1.8-1.6/1.8    | 1.35           | 56C   | H024         | Ball     | Rigid Base     | B           | Keyed    | 11.1     |              |
| 1/2   | 3450/2850 | 208-230/460 | 2.6-2.6/1.3    | 1.60           | 56C   | H254         | Ball     | Round Frame    | B           | Keyed    | 10.5     | 6,48,142,267 |
| 1/2   | 3450/2850 | 200-230/460 | 1.8-2.0/1.0    | 1.60           | 56J   | H438         | Ball     | Rigid Base     | B           | Threaded | 10.3     | 6,12,48      |
| 1/2   | 3450/2850 | 200-230/460 | 1.8-2.0/1.0    | 1.60           | 56C   | H286         | Ball     | Rigid Base     | B           | Keyed    | 9.8      | 6,48         |
| 1/2   | 1725      | 200-230/460 | 1.8-2.2/1.1    | 1.25           | 56C   | H358         | Ball     | Round Frame    | B           | Keyed    | 9.8      |              |
| 1/2   | 1725      | 200-230/460 | 1.8-2.0/1.0    | 1.25           | 56C   | H358L        | Ball     | Round Frame    | B           | Keyed    | 10.7     | New!         |
| 1/2   | 1725      | 200-230/460 | 1.8-2.2/1.1    | 1.25           | 56J   | H044         | Ball     | Rigid Base     | B           | Threaded | 10.3     | 1,12         |
| 1/2   | 1725      | 200-230/460 | 1.8-2.0/1.0    | 1.25           | 56J   | H044L        | Ball     | Rigid Base     | B           | Threaded | 10.3     | New!         |
| 1/2   | 1140      | 200-230/460 | 2.0-1.9/1.95   | 1.25           | 56C   | H025         | Ball     | Round Frame    | B           | Keyed    | 11.1     |              |
| 1/2   | 1140      | 200-230/460 | 2.0-1.9/1.95   | 1.25           | 56C   | H026         | Ball     | Rigid Base     | B           | Keyed    | 11.1     |              |
| 3/4   | 3450/2850 | 208-230/460 | 3.4-3.4/1.7    | 1.50           | 56C   | H508         | Ball     | Round Frame    | B           | Keyed    | 11.3     | 6,48,142,267 |
| 3/4   | 3450/2850 | 200-230/460 | 2.4-2.8/1.4    | 1.50           | 56J   | H477         | Ball     | Rigid Base     | B           | Threaded | 11.6     | 6,12,48      |
| 3/4   | 3450/2850 | 200-230/460 | 2.4-2.8/1.4    | 1.50           | 56C   | H476         | Ball     | Rigid Base     | B           | Keyed    | 11.1     | 6,48         |
| 3/4   | 1725      | 200-230/460 | 2.7-2.8/1.4    | 1.25           | 56C   | H379A        | Ball     | Round Frame    | B           | Keyed    | 10.1     | New!         |
| 3/4   | 1725      | 200-230/460 | 2.7-2.8/1.4    | 1.25           | 56C   | H585A        | Ball     | Rigid Base     | B           | Keyed    | 10.1     | New!         |
| 3/4   | 1725      | 200-230/460 | 2.7-2.8/1.4    | 1.25           | 56J   | H045A        | Ball     | Rigid Base     | B           | Threaded | 10.6     | New!         |
| 3/4   | 1140      | 200-230/460 | 4.0-4.0/2.0    | 1.25           | 56C   | H027         | Ball     | Round Frame    | B           | Keyed    | 11.1     |              |
| 3/4   | 1140      | 200-230/460 | 4.0-4.0/2.0    | 1.25           | 56C   | H028         | Ball     | Rigid Base     | B           | Keyed    | 11.1     |              |
| 1     | 3450/2850 | 208-230/460 | 4.3-4.0/2.0    | 1.40           | 56C   | H511         | Ball     | Round Frame    | B           | Keyed    | 11.3     | 6,48,142,267 |
| 1     | 3450/2850 | 200-230/460 | 3.2-3.2/1.6    | 1.40           | 56J   | H584         | Ball     | Rigid Base     | B           | Threaded | 11.6     | 6,12,48      |
| 1     | 3450/2850 | 200-230/460 | 3.2-3.2/1.6    | 1.40           | 56C   | H583         | Ball     | Rigid Base     | B           | Keyed    | 11.1     | 6,48         |
| 1     | 1725      | 200-230/460 | 3.4-3.6/1.8    | 1.25           | 56C   | H258L        | Ball     | Round Frame    | B           | Keyed    |          | New!         |
| 1     | 1725      | 200-230/460 | 3.4-3.6/1.7    | 1.25           | 56J   | H046         | Ball     | Rigid Base     | B           | Threaded | 11.6     | 1,12         |
| 1     | 1725      | 200-230/460 | 3.6-3.6/1.8    | 1.25           | 56J   | H046L        | Ball     | Rigid Base     | B           | Threaded | 11.6     | New!         |
| 1 1/2 | 3450/2850 | 208-230/460 | 5.8-5.6/2.8    | 1.30           | 56C   | H609         | Ball     | Round Frame    | B           | Keyed    | 11.8     | 6,48,142,267 |
| 1 1/2 | 3450/2850 | 200-230/460 | 4.7-4.4/2.2    | 1.30           | 56J   | H663         | Ball     | Rigid Base     | B           | Threaded | 11.6     | 6,12,48      |
| 1 1/2 | 3450/2850 | 200-230/460 | 4.7-4.4/2.2    | 1.30           | 56C   | H662         | Ball     | Rigid Base     | B           | Keyed    | 11.1     | 6,48         |
| 1 1/2 | 1725      | 200-230/460 | 5.3-5.6/2.8    | 1.20           | 56C   | H930L        | Ball     | Round Frame    | B           | Keyed    | 11.9     | New!         |
| 1 1/2 | 1725      | 200-230/460 | 5.3-5.6/2.8    | 1.20           | 56J   | H047L        | Ball     | Rigid Base     | B           | Threaded | 12.5     | New!         |

#### Notes:

1. Item to be discontinued when stock is depleted
- 6.60/50 Hz
12. 303 Stainless steel shaft
48. 1.0 Service factor at 50 HZ
142. Service factor amps
267. 50 HZ - 1.0 service factor, 190/380 volt

Published efficiency on tri-voltage rated motors applies at 230/460 volts. Performance at 200 or 208 volts may not be in accordance with NEMA standards.



# Century® NEMA “C” Face • General Purpose Industrial Motors

## Squirrel Cage - Three Phase - Dripproof

### No Base, Rigid & Removable Base, 3600 - 1800 & 1200 RPM - 1/4 thru 7 1/2 HP

#### Features:

- Double Sealed Ball Bearings
- Reversible
- 60 HZ
- 40°C Ambient



#### Applications:

Designed for industrial and commercial pumps, speed reducers and other equipment that mounts directly on a NEMA “C” Face type motor.

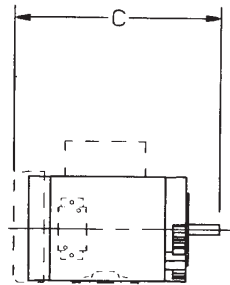
**Not** for outdoor use – Horizontal mount only.

| HP    | RPM       | Volts       | Full Load Amps | Service Factor | Frame | Stock Number | Bearings | Base/ Mounting | Insul Class | Shaft    | “C” Dim. | Notes        |
|-------|-----------|-------------|----------------|----------------|-------|--------------|----------|----------------|-------------|----------|----------|--------------|
| 2     | 3450/2850 | 200-230/460 | 6.8-6.6/3.3    | 1.20           | 56C   | <b>H612</b>  | Ball     | Round Frame    | B           | Keyed    | 12.3     | 6,48,142,267 |
| 2     | 3450/2850 | 200-230/460 | 6.0-5.5/2.75   | 1.20           | 56J   | <b>H712</b>  | Ball     | Rigid Base     | B           | Threaded | 12.0     | 6,12,48      |
| 2     | 3450/2850 | 200-230/460 | 6.0-5.5/2.75   | 1.20           | 56C   | <b>H711</b>  | Ball     | Rigid Base     | B           | Keyed    | 11.4     | 6,48         |
| 2     | 1725      | 200-230/460 | 6.3-6.4/3.2    | 1.20           | 56C   | <b>H710</b>  | Ball     | Round Frame    | B           | Keyed    | 12.2     | 1            |
| 2     | 1725      | 200-230/460 | 6.3-6.4/3.2    | 1.20           | 56C   | <b>H710L</b> | Ball     | Round Frame    | B           | Keyed    |          | <b>New!</b>  |
| 3     | 3450      | 200-230/460 | 9.8-9.6/4.8    | 1.15           | 56C   | <b>H736</b>  | Ball     | Round Frame    | B           | Keyed    | 12.3     |              |
| 3     | 3450      | 200-230/460 | 9.0-8.6/4.3    | 1.15           | 56J   | <b>H743</b>  | Ball     | Rigid Base     | B           | Threaded | 12.7     | 12           |
| 3     | 3450      | 200-230/460 | 9.0-8.6/4.3    | 1.15           | 56C   | <b>H742</b>  | Ball     | Rigid Base     | B           | Keyed    | 12.2     |              |
| 3     | 1800      | 200-230/460 | 9.4-8.6/4.3    | 1.15           | 182TC | <b>E2004</b> | Ball     | None           | B           | Keyed    | 14.4     | 16, \$       |
| 5     | 3490      | 200-230/460 | 13.2-12.4/6.2  | 1.15           | 182TC | <b>E2005</b> | Ball     | Rigid Base     | F           | Keyed    | 15.4     | 1,16,\$      |
| 5     | 1800      | 200-230/460 | 15.3-12.8/6.4  | 1.15           | 184TC | <b>E2006</b> | Ball     | None           | F           | Keyed    | 14.4     | 16,\$        |
| 7 1/2 | 3470      | 230/460     | 17.8/8.9       | 1.15           | 184TC | <b>E2008</b> | Ball     | Rigid Base     | F           | Keyed    | 15.4     | 1            |

#### Notes:


- \$ Energy Efficient \$
- 1. Item to be discontinued when stock is depleted
- 6. 60/50 Hz
- 12. 303 Stainless steel shaft
- 16. \$ E-Plus® energy efficient motors complying with EPAct
- 48. 1.0 Service factor at 50 HZ
- 142. Service factor amps
- 267. 50 HZ - 1.0 service factor, 190/380 volt

Published efficiency on tri-voltage rated motors applies at 230/460 volts.  
Performance at 200 or 208 volts may not be in accordance with NEMA standards.







# Three Phase ODP Motors

## Features:

- Ball Bearings
- Continuous Duty
- Dripproof
- Squirrel Cage
- Energy Efficient \$
- Inverter Duty Motors NEMA Design B
- Standard, EPAact  CC001A (E-Plus® motors) and Premium (E-Plus® 3 motors) Efficiency
- 40°C Ambient
- 60 Hz
- E-Plus® Motors meet the requirements of the Energy Policy Act of 1992. E-Plus® 3 motors exceed the requirements of the Energy Policy Act of 1992. **E+3(NP) is NEMA Premium Efficient.**



**Applications:** Pumps, fans, compressors, conveyors.


| HP  | RPM  | Volts       | Full Load Amps | Service Factor | Frame | Stock Number  | Type    | Insul. Class | Protector | Rotation | "C" Dim. | Notes    |
|-----|------|-------------|----------------|----------------|-------|---|---------|--------------|-----------|----------|----------|----------|
| 1/4 | 1140 | 200-230/460 | 1.3-1.2/1.6    | 1.35           | 56    | H204  |         | B            | None      | RCC      | 10.1     |          |
| 1/3 | 1725 | 200-230/460 | 1.4-1.6/1.8    | 1.35           | 56    | H262L   |         | B            | None      | RCC      | 10.2     |          |
| 1/3 | 1140 | 200-230/460 | 1.8-1.6/1.8    | 1.35           | 56    | H267  |         | B            | None      | RCC      | 11.1     |          |
| 1/2 | 3450 | 200-230/460 | 1.9-1.8/1.9    | 1.60           | 56    | H437  |         | B            | None      | RCC      | 9.8      |          |
| 1/2 | 1725 | 200-230/460 | 1.8-2.0/1.0    | 1.25           | 56    | H273L   |         | B            | None      | RCC      | 10.7     | New!     |
| 1/2 | 1725 | 460/200-230 | 1.5/2.5-3.0    | 1.25           | 56    | H880L   |         | B            | Auto      | RCC      | 12.2     | New!     |
| 1/2 | 1725 | 575         | 0.88           | 1.25           | 56    | H991L   |         | B            | None      | RCC      | 10.2     | New!     |
| 1/2 | 1140 | 200-230/460 | 2.0-1.9/1.95   | 1.25           | 56    | H279  |         | B            | None      | RCC      | 11.1     |          |
| 3/4 | 3450 | 200-230/460 | 2.6-2.4/1.2    | 1.50           | 56    | H377  |         | B            | None      | RCC      | 11.1     |          |
| 3/4 | 1725 | 200-230/460 | 3.4/1.7        | 1.25           | 56    | OB3075  |         | B            | None      | REV      | 11.3     | 6        |
| 3/4 | 1725 | 200-230/460 | 2.7-2.8/1.4    | 1.25           | 56    | H581A   |         | B            | None      | RCC      | 10.1     | New!     |
| 3/4 | 1725 | 460/200-230 | 1.7/2.9-3.4    | 1.25           | 56    | H881  |         | B            | Auto      | REV      | 12.2     | 151      |
| 3/4 | 1725 | 575         | 1.0            | 1.25           | 56    | H992L   |         | B            | None      | CW       | 10.4     | New!     |
| 3/4 | 1140 | 200-230/460 | 4.0-4.0/2.0    | 1.25           | 56    | H467  |         | B            | None      | RCC      | 11.1     |          |
| 1   | 3450 | 200-230/460 | 3.2-3.0/1.5    | 1.40           | 56    | H602  |         | B            | None      | RCC      | 11.1     |          |
| 1   | 1800 | 200         | 3.75           | 1.15           | 143T  | T33026E   | E+3(NP) | B            | None      | CCW      |          | New!     |
| 1   | 1725 | 200-230/460 | 4.0/2.0        | 1.15           | 56    | OB3104  |         | B            | None      | REV      | 11.3     | 6        |
| 1   | 1725 | 200-230/460 | 3.4-3.6/1.8    | 1.25           | 56H   | H614L   |         | B            | None      | RCC      | 12.2     | New!     |
| 1   | 1750 | 230/460     | 3.2/1.6        | 1.15           | 143T  | T35026E  | E+3(NP) | F            | None      | CCW      | 11.7     | New!     |
| 1   | 1725 | 460/200-230 | 2.0/3.7-4.0    | 1.15           | 56H   | H882L   |         | B            | Auto      | RCC      | 12.7     | New!     |
| 1   | 1725 | 460/200-230 | 1.9/3.5-3.8    | 1.15           | 56HZ  | H883L   |         | B            | Auto      | RCC      | 12.6     | 15, New! |
| 1   | 1725 | 575         | 1.4            | 1.25           | 56    | H993L   |         | B            | None      | RCC      | 11.1     | New!     |
| 1   | 1750 | 575         | 1.3            | 1.15           | 143T  | T37026E  | E+3(NP) | F            | None      | CCW      |          | New!     |
| 1   | 1140 | 200-230/460 | 4.0-3.8/1.9    | 1.25           | 56    | H526  |         | B            | None      | RCC      | 11.4     |          |
| 1   | 1140 | 230/460     | 3.6/1.8        | 1.15           | 145T  | T35051E  | E+3(NP) | F            | None      | CCW      | 11.7     | New!     |

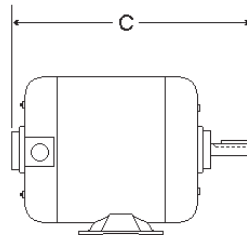
## Notes:

- 6. 60/50 Hertz
- 15. 56HZ = 7/8" x 2-5/16" shaft
- 151. Quick Connect Design Bracket, Auto Overload Protector

Published efficiency on tri-voltage rated motors applies at 230/460 volts. Performance at 200 volts may not be in accordance with NEMA standards. Published efficiency on 200-208 volt motors applies at 200 volts.



Motors specially designed, tested and warranted to be **Corona-Free** for compatible inverter duty are marked on this page with a . See page 4 and 5 of this catalog for more Speed Engineered® motors information.



## Features:

- Ball Bearings
- Continuous Duty
- Dripproof
- Squirrel Cage
- 40°C Ambient
- 60 Hz
- NEMA Design B
- Standard, EPA<sup>cc</sup> CC001A (E-Plus<sup>®</sup> motors) and Premium (E-Plus<sup>®</sup> 3 motors) Efficiency \$
- E-Plus<sup>®</sup> Motors meet the requirements of the Energy Policy Act of 1992. E-Plus<sup>®</sup> 3 motors exceed the requirements of the Energy Policy Act of 1992. **E+3(NP) is NEMA Premium Efficient.**



**Applications:** Pumps, fans, compressors, conveyors.

| HP    | RPM  | Volts       | Full Load Amps | Service Factor | Frame | Stock Number     | Type    | Insul. Class | Protector | Rotation | "C" Dim. | Notes           |
|-------|------|-------------|----------------|----------------|-------|------------------|---------|--------------|-----------|----------|----------|-----------------|
| 1 1/2 | 3500 | 230/460     | 4.2/2.1        | 1.15           | 143T  | <b>T35002E</b> ⚡ | E+3(NP) | F            | None      | CCW      | 11.7     | <b>New!</b>     |
| 1 1/2 | 3450 | 200-230/460 | 4.2-4.0/2.0    | 1.15           | 143T  | <b>E1010</b> ⚡   | E+      | B            | None      | RCC      | 13.1     | 1               |
| 1 1/2 | 3450 | 460/200-230 | 2.3/4.7-4.6    | 1.30           | 56H   | <b>H756</b>      |         | B            | Auto      | RCC      | 12.9     | 35              |
| 1 1/2 | 1745 | 200         | 4.5            | 1.15           | 145T  | <b>E104L</b> ⚡   | E+      | B            | None      | RCC      | 13.8     | <b>New!</b>     |
| 1 1/2 | 1800 | 200         | 5.3            | 1.15           | 145T  | <b>T33027E</b> ⚡ | E+3(NP) | B            | None      | CCW      | 11.7     | <b>New!</b>     |
| 1 1/2 | 1725 | 200-230/460 | 6.2/3.1        | 1.20           | 56H   | <b>OB3154</b>    |         | B            | None      | REV      | 12.3     | 6               |
| 1 1/2 | 1725 | 200-230/460 | 5.3-5.6/2.8    | 1.20           | 56H   | <b>H534L</b>     |         | B            | None      | RCC      | 12.2     | <b>New!</b>     |
| 1 1/2 | 1745 | 230/460     | 4.2/2.1        | 1.15           | 145T  | <b>R110</b>      |         | B            | Auto      | RCC      | 12.6     | 1               |
| 1 1/2 | 1740 | 230/460     | 4.6/2.3        | 1.15           | 145T  | <b>T35027E</b> ⚡ | E+3(NP) | F            | None      | CCW      | 11.7     | <b>New!</b>     |
| 1 1/2 | 1725 | 460/200-230 | 2.8/5.0-5.6    | 1.15           | 56H   | <b>H884L</b>     |         | B            | Auto      | RCC      | 12.9     | <b>New!</b>     |
| 1 1/2 | 1725 | 460/200-230 | 2.8/5.0-5.6    | 1.15           | 56HZ  | <b>H885L</b>     |         | B            | Auto      | RCC      | 12.9     | <b>New!</b>     |
| 1 1/2 | 1725 | 575         | 2.0            | 1.20           | 56HZ  | <b>H951V1</b>    |         | B            | Auto      | RCC      | 13.1     | 15, <b>New!</b> |
| 1 1/2 | 1740 | 575         | 1.85           | 1.15           | 145T  | <b>T37027E</b> ⚡ | E+3(NP) | B            | None      | CCW      | 11.7     | <b>New!</b>     |
| 1 1/2 | 1180 | 230/460     | 5.4/2.7        | 1.15           | 182T  | <b>E206</b> ⚡    | E+3(NP) | F            | None      | REV      | 14.1     |                 |
| 2     | 3450 | 460/200-230 | 2.9/6.0-5.8    | 1.20           | 56H   | <b>BR3202L</b>   |         | B            | Auto      | RCC      | 13.9     |                 |
| 2     | 3490 | 230/460     | 5.0/2.5        | 1.15           | 145T  | <b>T35003E</b> ⚡ | E+3(NP) | F            | None      | CCW      | 11.7     | <b>New!</b>     |
| 2     | 1725 | 230/460     | 6.6            | 1.15           | 145T  | <b>T33028E</b> ⚡ | E+3(NP) | F            | None      | CCW      | 11.7     | <b>New!</b>     |
| 2     | 1725 | 208-230/460 | 7.0/3.5        | 1.15           | 56H   | <b>OB3204</b>    |         | B            | None      | REV      | 12.3     | 6               |
| 2     | 1725 | 200-230/460 | 7.4/3.7        | 1.15           | 56HZ  | <b>OB3204V1</b>  |         | B            | None      | REV      | 13.2     | 6,15            |
| 2     | 1725 | 200-230/460 | 6.4-6.4/3.2    | 1.15           | 56H   | <b>H181L</b>     |         | B            | None      | RCC      | 12.7     | <b>New!</b>     |
| 2     | 1725 | 230/460     | 5.8/2.9        | 1.15           | 145T  | <b>T35028E</b> ⚡ | E+3(NP) | F            | None      | CCW      | 11.7     | <b>New!</b>     |
| 2     | 1725 | 460/200-230 | 3.5/6.6-7.0    | 1.15           | 56HZ  | <b>H886L</b>     |         | B            | Auto      | RCC      | 13.8     | <b>New!</b>     |
| 2     | 1725 | 460/200-230 | 3.5/6.6-7.0    | 1.15           | 56H   | <b>H1045</b>     |         | B            | Auto      | RCC      | 13.9     | 1               |
| 2     | 1725 | 460/200-230 | 3.4/6.6-6.8    | 1.15           | 56H   | <b>H1045L</b>    |         | B            | Auto      | RCC      | 13.9     | <b>New!</b>     |
| 2     | 1725 | 575         | 2.6            | 1.20           | 56HZ  | <b>H953V1</b>    |         | B            | Auto      | RCC      | 13.1     | <b>New!</b>     |
| 2     | 1725 | 575         | 2.6            | 1.20           | 56    | <b>H965V1</b>    |         | B            | None      | RCC      | 12.2     | <b>New!</b>     |
| 2     | 1745 | 575         | 2.08           | 1.15           | 145T  | <b>E1008</b> ⚡   | E+      | B            | None      | RCC      | 13.8     | 1               |
| 2     | 1725 | 230/460     | 2.3            | 1.15           | 145T  | <b>T37028E</b> ⚡ | E+3(NP) | F            | None      | CCW      | 11.7     | <b>New!</b>     |
| 2     | 1170 | 230/460     | 6.6/3.3        | 1.15           | 184T  | <b>E207V1</b> ⚡  | E+3(NP) | F            | None      | REV      | 13.7     |                 |

## Notes:

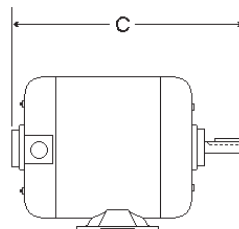
1. Item to be discontinued when stock is depleted
6. 60/50 Hz
15. 56 HZ = 7/8" x 2-5/16" shaft
35. Quick Connect Design Bracket

Published efficiency on tri-voltage rated motors applies at 230/460 volts. Performance at 200 or 208 volts may not be in accordance with NEMA standards. Published efficiency on 200-208 volt motors applies at 200 volts.

Continues on next page




Motors specially designed, tested and warranted to be **Corona-Free** for compatible inverter duty are marked on this page with a ⚡. See page 4 and 5 of this catalog for more Speed Engineered<sup>®</sup> motors information.





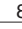
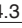
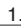
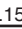








## Features:

- Ball Bearings
- Continuous Duty
- Energy Efficient \$
- Dripproof
- NEMA Design B
- Rigid Base
- Squirrel Cage
- Standard, E Pact  CC001A (E-Plus® motors) and Premium (E-Plus® 3 motors) Efficiency
- 40°C Ambient
- 60 Hz
- E-Plus® Motors meet the requirements of the Energy Policy Act of 1992. E-Plus® 3 motors exceed the requirements of the Energy Policy Act of 1992. **E+3(NP) is NEMA Premium Efficient.**



**Applications:** Pumps, fans, compressors, conveyors.

| HP | RPM  | Volts       | Full Load Amps | Service Factor | Frame | Stock Number   | Type    | Insul. Class | Protector | "C" Dim. | Efficiency | Notes           |
|----|------|-------------|----------------|----------------|-------|--|---------|--------------|-----------|----------|------------|-----------------|
| 3  | 3470 | 230/460     | 7.4/3.7        | 1.15           | 145T  | <b>T35004E</b>  | E+3(NP) | F            | None      | 11.7     | 85.5       | 8, <b>New!</b>  |
| 3  | 3450 | 460/200-230 | 4.3/9.0-8.6    | 1.15           | 56HZ  | <b>H757</b>  |         | B            | Auto      | 13.8     |            | 15,35           |
| 3  | 1765 | 200         | 9.8            | 1.15           | 182T  | <b>E202M</b>    | E+      | F            | None      | 13.7     | 86.5       |                 |
| 3  | 1760 | 200         | 8.9            | 1.15           | 182T  | <b>E216V1</b>   | E+3(NP) | F            | None      | 13.7     | 89.5       |                 |
| 3  | 1725 | 200-208     | 8.9-8.9        | 1.15           | 56HZ  | <b>H518L</b>   |         | B            | None      |          |            | <b>New!</b>     |
| 3  | 1765 | 230/460     | 8.6/4.3        | 1.15           | 182T  | <b>E217V1</b>   | E+3(NP) | F            | None      | 13.7     | 89.5       |                 |
| 3  | 1725 | 460/200-230 | 4.4/9.0-8.8    | 1.15           | 56HZ  | <b>H887L</b>   |         | F            | Auto      | 14.6     |            | 15, <b>New!</b> |
| 3  | 1725 | 460/230     | 4.6/9.2        | 1.15           | 56HZ  | <b>H539L</b>   |         | B            | None      | 14.6     |            | 15, <b>New!</b> |
| 3  | 1725 | 575         | 3.7            | 1.15           | 56HZ  | <b>H955L</b>   |         | B            | Auto      | 14.9     |            | 15, <b>New!</b> |
| 3  | 1765 | 575         | 3.4            | 1.15           | 182T  | <b>E923</b>     | E+3(NP) | B            | None      | 13.7     | 89.5       |                 |
| 3  | 1170 | 230/460     | 9.3/4.65       | 1.15           | 213T  | <b>E394</b>     | E+3(NP) | F            | None      | 16.6     | 89.0       |                 |
| 5  | 3520 | 230/460     | 11.6/5.8       | 1.15           | 182T  | <b>E204</b>     | E+3(NP) | F            | None      | 14.6     | 91.0       |                 |
| 5  | 3450 | 460/208-230 | 6.6/13.4-13.2  | 1.15           | 56HZ  | <b>H847</b>  |         | B            | Auto      | 15.1     |            | 15              |
| 5  | 3450 | 575         | 5.4            | 1.15           | 56HZ  | <b>H956</b>  |         | B            | Auto      | 15.1     |            | 15              |
| 5  | 1745 | 200         | 14.8           | 1.15           | 184T  | <b>E203M</b>    | E+      | F            | None      | 13.7     | 87.5       |                 |
| 5  | 1760 | 200         | 15.7           | 1.15           | 184T  | <b>E218</b>    | E+3(NP) | F            | None      | 13.7     | 89.5       |                 |
| 5  | 1760 | 230/460     | 13.6/6.8       | 1.15           | 184T  | <b>E219</b>   | E+3(NP) | F            | None      | 13.7     | 89.5       |                 |
| 5  | 1760 | 575         | 5.4            | 1.15           | 184T  | <b>E924</b>   | E+3(NP) | F            | None      | 13.7     | 89.5       |                 |
| 5  | 1170 | 230/460     | 15.2/7.6       | 1.15           | 215T  | <b>E395</b>   | E+3(NP) | F            | None      | 17.6     | 89.5       |                 |


**Notes:**

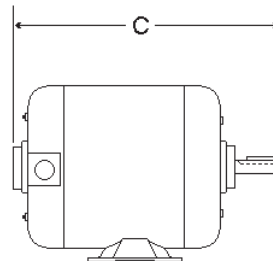
- 8. NEMA design A
- 15. 56 HZ = 7/8" x 2-5/16" shaft
- 35. Quick Connect design bracket

Published efficiency on tri-voltage rated motors applies at 230/460 volts.  
 Performance at 200 or 208 volts may not be in accordance with NEMA standards.  
 Published efficiency on 200-208 volt motors applies at 200 volts.

Continues on next page



Motors specially designed, tested and warranted to be **Corona-Free** for compatible inverter duty are marked on this page with a . See page 4 and 5 of this catalog for more Speed Engineered® motors information.



# Three Phase ODP Motors

Continued from previous page

## Features:

- Ball Bearings
- Continuous Duty
- Dripproof
- Squirrel Cage
- Energy Efficient \$
- Rigid Base
- Standard, EPA Act (E+ motors) and Premium (E-Plus 3 motors) Efficiency
- 40°C Ambient
- 60 Hz
- NEMA Design B
- E-Plus® Motors meet the requirements of the Energy Policy Act of 1992. E-Plus® 3 motors exceed the requirements of the Energy Policy Act of 1992. **E+3(NP) is NEMA Premium Efficient.**



E205

**Applications:** Pumps, fans, compressors, conveyors.

| HP    | RPM  | Volts       | Full Load Amps | Service Factor | Frame | Stock Number | Type    | Insul. Class | Protector | "C" Dim. | Efficiency | Notes |
|-------|------|-------------|----------------|----------------|-------|--------------|---------|--------------|-----------|----------|------------|-------|
| 7 1/2 | 3490 | 230/460     | 17.2/8.6       | 1.15           | 184T  | E205 ⚡       | E+3(NP) | F            | None      | 15.6     | 90.2       |       |
| 7 1/2 | 1745 | 200         | 22.3           | 1.15           | 213T  | E302M ⚡      | E+      | F            | None      | 17.5     | 88.5       |       |
| 7 1/2 | 1760 | 200         | 22.3           | 1.15           | 213T  | E316 ⚡       | E+3(NP) | F            | None      | 17.5     | 91.7       | 8     |
| 7 1/2 | 1760 | 230/460     | 19.4/9.7       | 1.15           | 213T  | E317 ⚡       | E+3(NP) | F            | None      | 17.5     | 91.7       | 8     |
| 7 1/2 | 1750 | 575         | 7.5            | 1.15           | 213T  | E925 ⚡       | E+3(NP) | F            | None      | 17.5     | 91.0       |       |
| 7 1/2 | 1175 | 230/460     | 21.0/10.5      | 1.15           | 254T  | E496 ⚡       | E+3(NP) | F            | None      | 22.4     | 90.2       |       |
| 10    | 3520 | 230/460     | 22.0/11.0      | 1.15           | 213T  | E392 ⚡       | E+3(NP) | F            | None      | 16.8     | 91.7       |       |
| 10    | 1745 | 200         | 30.8           | 1.15           | 215T  | E303 ⚡       | E+      | F            | None      | 17.3     | 89.5       | 8     |
| 10    | 1755 | 200         | 29.0           | 1.15           | 215T  | E331 ⚡       | E+3(NP) | F            | None      | 17.5     | 91.7       | 8     |
| 10    | 1755 | 230/460     | 25.2/12.6      | 1.15           | 215T  | E397 ⚡       | E+3(NP) | F            | None      | 17.3     | 91.7       | 8     |
| 10    | 1755 | 575         | 10.1           | 1.15           | 215T  | E926 ⚡       | E+3(NP) | F            | None      | 17.3     | 91.7       | 8     |
| 10    | 1740 | 575         | 10.3           | 1.15           | 215T  | E325 ⚡       | E+3(NP) | F            | None      | 17.3     | 89.5       |       |
| 10    | 1175 | 230/460     | 27.4/13.7      | 1.15           | 256T  | E497 ⚡       | E+3(NP) | F            | None      | 23.9     | 91.7       |       |
| 15    | 3500 | 230/460     | 32.8/16.4      | 1.15           | 215T  | E393 ⚡       | E+3(NP) | F            | None      | 17.5     | 91.7       |       |
| 15    | 1750 | 200         | 42.2           | 1.15           | 254T  | E454V1 ⚡     | E+      | F            | None      | 22.1     | 91.0       |       |
| 15    | 1770 | 200         | 43.4           | 1.15           | 254T  | E450 ⚡       | E+3(NP) | F            | None      | 22.1     | 93.0       |       |
| 15    | 1770 | 230/460     | 37.8/18.9      | 1.15           | 254T  | E451 ⚡       | E+3(NP) | F            | None      | 22.1     | 93.0       |       |
| 15    | 1770 | 575         | 15.1           | 1.15           | 254T  | E927 ⚡       | E+3(NP) | F            | None      | 22.1     | 93.0       |       |
| 15    | 1165 | 200-230/460 | 47.5-42.0/21.0 | 1.15           | 284T  | E511 ⚡       | E+      | F            | None      | 24.2     | 90.2       | 1     |
| 15    | 1170 | 230/460     | 43.0/21.5      | 1.15           | 284T  | E586M ⚡      | E+3(NP) | F            | None      | 24.3     | 91.7       |       |

## Notes:

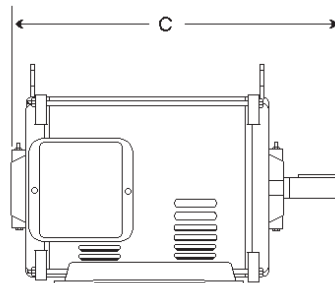
1. To be discontinued when stock is depleted
8. NEMA Design A

Performance at 200 or 208 volts may not be in accordance with NEMA standards.




Motors specially designed, tested and warranted to be **Corona-Free** for compatible inverter duty are marked on this page with a ⚡. See page 4 and 5 of this catalog for more Speed Engineered® motors information.

Continues on next page



## Features:

- Ball Bearings
- Continuous Duty
- Dripproof
- Squirrel Cage
- Energy Efficient \$
- Rigid Base
- Standard, EPAact  CC001A (E-Plus® motors) and Premium (E-Plus® 3 motors) Efficiency
- 40°C Ambient
- 60 Hz
- NEMA Design B
- E-Plus® Motors meet the requirements of the Energy Policy Act of 1992. E-Plus® 3 motors exceed the requirements of the Energy Policy Act of 1992. **E+3(NP) is NEMA Premium Efficient.**



E494

**Applications:** Pumps, fans, compressors, conveyors.

| HP | RPM  | Volts   | Full Load Amps | Service Factor | Frame | Stock Number    | Type    | Insul. Class | Cast Iron | “C” Dim. | Efficiency | Notes      |
|----|------|---------|----------------|----------------|-------|-----------------|---------|--------------|-----------|----------|------------|------------|
| 20 | 3535 | 230/460 | 48.0/24.0      | 1.15           | 254T  | <b>E494</b> ⚡   | E+3(NP) | F            |           | 22.1     | 91.0       | 23         |
| 20 | 1745 | 200     | 57.0           | 1.15           | 256T  | <b>E456</b> ⚡   | E+      | F            |           | 22.1     | 91.0       |            |
| 20 | 1765 | 200     | 57.0           | 1.15           | 256T  | <b>E452</b> ⚡   | E+3(NP) | F            |           | 22.1     | 93.6       |            |
| 20 | 1765 | 230/460 | 49.0/24.5      | 1.15           | 256T  | <b>E407</b> ⚡   | E+3(NP) | F            |           | 22.1     | 93.6       | 23         |
| 20 | 1770 | 575     | 19.6           | 1.15           | 256T  | <b>E928</b> ⚡   | E+3(NP) | F            |           | 22.1     | 93.0       |            |
| 20 | 1175 | 230/460 | 51.6/25.8      | 1.15           | 286T  | <b>T35059</b> ⚡ | E+3(NP) | F            | √         | 25.3     | 92.4       | 11         |
| 25 | 3530 | 230/460 | 57.0/28.5      | 1.15           | 256T  | <b>E495</b> ⚡   | E+3(NP) | F            |           | 22.1     | 91.7       | 23         |
| 25 | 1740 | 200     | 69.8           | 1.15           | 284T  | <b>E545</b> ⚡   | E+      | F            |           | 24.3     | 91.7       |            |
| 25 | 1765 | 200     | 70.0           | 1.15           | 284T  | <b>E513</b> ⚡   | E+3(NP) | F            |           | 24.2     | 93.6       |            |
| 25 | 1765 | 230/460 | 61.0/30.5      | 1.15           | 284T  | <b>E514</b> ⚡   | E+3(NP) | F            |           | 24.3     | 93.6       | 23         |
| 25 | 1765 | 575     | 24.5           | 1.15           | 284T  | <b>E929</b> ⚡   | E+3(NP) | F            |           | 24.3     | 93.6       |            |
| 25 | 1175 | 230/460 | 61.0/30.5      | 1.15           | 324T  | <b>T35060</b> ⚡ | E+3(NP) | F            | √         | 26.3     | 93.0       | 11,362,364 |
| 30 | 3535 | 230/460 | 69.0/34.5      | 1.15           | 284TS | <b>E584</b> ⚡   | E+3(NP) | F            |           | 22.9     | 91.7       | 23         |
| 30 | 1760 | 200     | 86.5           | 1.15           | 286T  | <b>E547</b> ⚡   | E+      | F            |           | 24.3     | 92.4       |            |
| 30 | 1770 | 200     | 82.2           | 1.15           | 286T  | <b>E515V2</b> ⚡ | E+3(NP) | F            |           | 25.8     | 94.1       |            |
| 30 | 1765 | 230/460 | 73.2/36.6      | 1.15           | 286T  | <b>E516V2</b> ⚡ | E+3(NP) | F            |           | 25.8     | 94.1       |            |
| 30 | 1770 | 575     | 28.5           | 1.15           | 286T  | <b>E930V1</b> ⚡ | E+3(NP) | F            |           | 25.8     | 94.1       |            |
| 30 | 1175 | 230/460 | 71.4/35.7      | 1.15           | 326T  | <b>T35061</b> ⚡ | E+3(NP) | F            | √         | 27.8     | 93.6       | 362,364    |

**Notes:**

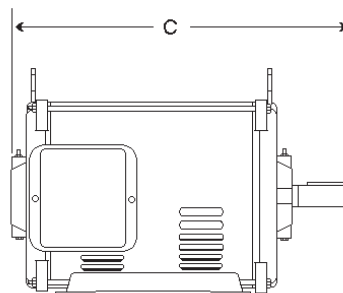
- 11. C Flange kit available
- 23. Suitable for 200/400 volt and 50HZ
- 362. 12 lead - capability for Y Start-Delta Run
- 364. Open bearings with regreasing provisions

Published efficiency on tri-voltage rated motors applies at 230/460 volts. Performance at 200 or 208 volts may not be in accordance with NEMA standards.

Continues on next page




Motors specially designed, tested and warranted to be **Corona-Free** for compatible inverter duty are marked on this page with a ⚡. See page 4 and 5 of this catalog for more Speed Engineered® motors information.



# Three Phase ODP Motors

Continued from previous page

## Features:

- Ball Bearings
- Continuous Duty
- Dripproof
- Squirrel Cage
- Energy Efficient \$
- Rigid Base
- Standard, EPA Act  CC001A (E-Plus® motors) and Premium (E-Plus® 3 motors) Efficiency
- 40°C Ambient
- 60 Hz
- NEMA Design B
- E-Plus® Motors meet the requirements of the Energy Policy Act of 1992. E-Plus® 3 motors exceed the requirements of the Energy Policy Act of 1992. **E+3(NP) is NEMA Premium Efficient.**



E607R

**Applications:** Pumps, fans, compressors, conveyors.

| HP | RPM  | Volts   | Full Load Amps | Service Factor | Frame | Stock Number | Type    | Insul. Class | Cast Iron | "C" Dim. | Efficiency | Notes      |
|----|------|---------|----------------|----------------|-------|--------------|---------|--------------|-----------|----------|------------|------------|
| 40 | 3540 | 230/460 | 90.0/45.0      | 1.15           | 286TS | E585 ⚡       | E+3(NP) | F            |           | 22.9     | 92.4       | 23         |
| 40 | 1760 | 200     | 113.0          | 1.15           | 324T  | E608R ⚡      | E+      | F            |           | 26.8     | 93.0       |            |
| 40 | 1770 | 230/460 | 97.0/48.5      | 1.15           | 324T  | T35037 ⚡     | E+3(NP) | F            | √         | 26.3     | 94.1       | 11,362,364 |
| 40 | 1770 | 200     | 111.6          | 1.15           | 324T  | T33037 ⚡     | E+3(NP) | F            | √         | 26.3     | 94.1       | 11,362,364 |
| 40 | 1770 | 575     | 38.8           | 1.15           | 324T  | T37037 ⚡     | E+3(NP) | F            | √         | 26.3     | 94.1       | 11,362,364 |
| 40 | 1180 | 230/460 | 98.4/49.2      | 1.15           | 364T  | T35062 ⚡     | E+3(NP) | F            | √         | 29.1     | 94.1       | 362,364    |
| 50 | 3545 | 230/460 | 118.0/59.0     | 1.15           | 324TS | T35013 ⚡     | E+3(NP) | F            | √         | 24.8     | 93.0       | 11,362,364 |
| 50 | 1760 | 200     | 141.0          | 1.15           | 326T  | E607R ⚡      | E+      | F            |           | 28.3     | 93.0       |            |
| 50 | 1780 | 230/460 | 116.0/58.0     | 1.15           | 326TS | TS35038 ⚡    | E+3(NP) | F            | √         | 26.3     |            | 8, New!    |
| 50 | 1770 | 200     | 139.2          | 1.15           | 326T  | T33038 ⚡     | E+3(NP) | F            | √         | 27.8     | 94.5       | 11,364,365 |
| 50 | 1770 | 230/460 | 121.0/60.5     | 1.15           | 326T  | T35038 ⚡     | E+3(NP) | F            | √         | 37.8     | 94.5       | 11,362,364 |
| 50 | 1770 | 575     | 40.0           | 1.15           | 326T  | T37038 ⚡     | E+3(NP) | F            | √         | 27.8     | 94.5       | 11,364,365 |
| 50 | 1180 | 230/460 | 123.0/61.5     | 1.15           | 365T  | T35063 ⚡     | E+3(NP) | F            | √         | 30.1     | 94.1       | 362,364    |

## Notes:

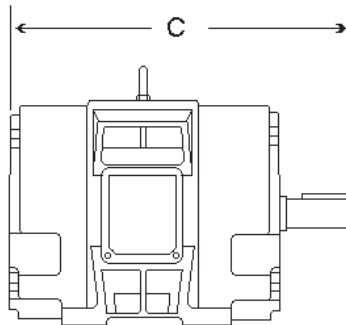
- 8. NEMA Design A
- 11. C Flange kit available
- 23. Suitable for 200/400 volt and 50HZ
- 362. 12 lead - capability for Y Start-Delta Run
- 364. Open bearings with regreasing provisions
- 365. 3 leads

Continues on next page




Motors specially designed, tested and warranted to be **Corona-Free** for compatible inverter duty are marked on this page with a ⚡. See page 4 and 5 of this catalog for more Speed Engineered® motors information.

Performance at 200 or 208 volts may not be in accordance with NEMA standards.  
Published efficiency on 200-208 volt motors applies at 200 volts.















## Features:

- Ball Bearings
- Continuous Duty
- Dripproof
- Squirrel Cage
- Energy Efficient \$
- Rigid Base
- Standard, EPAct  CC001A (E-Plus® motors) and Premium (E-Plus® 3 motors) Efficiency
- 40°C Ambient
- 60 Hz
- NEMA Design B
- E-Plus® Motors meet the requirements of the Energy Policy Act of 1992. E-Plus® 3 motors exceed the requirements of the Energy Policy Act of 1992. **E+3(NP) is NEMA Premium Efficient.**



T35040

**Applications:** Pumps, fans, compressors, conveyors.

| HP | RPM  | Volts   | Full Load Amps | Service Factor | Frame | Stock Number  | Type    | Insul. Class | Cast Iron | "C" Dim. | Efficiency | Notes      |
|----|------|---------|----------------|----------------|-------|---|---------|--------------|-----------|----------|------------|------------|
| 60 | 3555 | 230/460 | 140.0/70.0     | 1.15           | 326TS | T35014   | E+3(NP) | F            | √         | 26.3     | 93.6       | 11,362,364 |
| 60 | 1775 | 230/460 | 142.0/71.0     | 1.15           | 364TS | TS17039  | E+3(NP) | F            | √         | 26.3     | 95.0       | 362,364    |
| 60 | 1775 | 200     | 163.3          | 1.15           | 364T  | T33039   | E+3(NP) | F            | √         | 29.1     | 95.0       | 364,366    |
| 60 | 1775 | 230/460 | 142.0/71.0     | 1.15           | 364T  | T35039   | E+3(NP) | F            | √         | 29.1     | 95.0       | 362,364    |
| 60 | 1775 | 575     | 57.0           | 1.15           | 364T  | T37039   | E+3(NP) | F            | √         | 29.1     | 95.0       | 364,366    |
| 60 | 1185 | 230/460 | 146.0/73.0     | 1.15           | 404T  | T35064   | E+3(NP) | F            | √         | 33.1     | 94.5       | 362,364    |
| 75 | 3560 | 230/460 | 170.0/85.0     | 1.15           | 364TS | T35015   | E+3(NP) | F            | √         | 27.0     | 93.6       | 362,364    |
| 75 | 1775 | 230/460 | 176.0/88.0     | 1.15           | 365TS | TS17040  | E+3(NP) | F            | √         | 28.0     | 95.0       | 362,364    |
| 75 | 1775 | 200     | 202.4          | 1.15           | 365T  | T33040   | E+3(NP) | F            | √         | 30.1     | 95.0       | 364,366    |
| 75 | 1775 | 230/460 | 176.0/88.0     | 1.15           | 365T  | T35040   | E+3(NP) | F            | √         | 30.1     | 95.0       | 362,364    |
| 75 | 1775 | 575     | 70.0           | 1.15           | 365T  | T37040   | E+3(NP) | F            | √         | 30.1     | 95.0       | 364,366    |
| 75 | 1185 | 230/460 | 184.0/92.0     | 1.15           | 405T  | T35065   | E+3(NP) | F            | √         | 34.6     | 94.5       | 362,364    |


**Notes:**

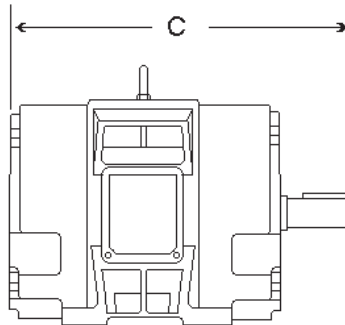
- 11. C Flange kit available
- 362. 12 lead - capability for Y Start-Delta Run
- 364. Open bearings with regreasing provisions
- 366. 6 leads

Performance at 200 or 208 volts may not be in accordance with NEMA standards.

Continues on next page




Motors specially designed, tested and warranted to be **Corona-Free** for compatible inverter duty are marked on this page with a . See page 4 and 5 of this catalog for more Speed Engineered® motors information.



# Three Phase ODP Motors

Continued from previous page

## Features:

- Ball Bearings
- Continuous Duty
- Dripproof
- Squirrel Cage
- Energy Efficient \$
- Rigid Base
- Standard, EPAact  CC001A (E-Plus® motors) and Premium (E-Plus® 3 motors) Efficiency
- 40°C Ambient
- 60 Hz
- NEMA Design B
- E-Plus® Motors meet the requirements of the Energy Policy Act of 1992. E-Plus® 3 motors exceed the requirements of the Energy Policy Act of 1992. **E+3(NP) is NEMA Premium Efficient.**



T33041

**Applications:** Pumps, fans, compressors, conveyors.

| HP  | RPM  | Volts   | Full Load Amps | Service Factor | Frame | Stock Number     | Type    | Insul. Class | Cast Iron | "C" Dim. | Efficiency | Notes       |
|-----|------|---------|----------------|----------------|-------|------------------|---------|--------------|-----------|----------|------------|-------------|
| 100 | 3565 | 230/460 | 226.0/113.0    | 1.15           | 365TS | <b>T35016</b> ⚡  | E+3(NP) | F            | ✓         | 28.0     | 93.6       | 362,364     |
| 100 | 1775 | 200     | 264.5          | 1.15           | 404T  | <b>T33041</b> ⚡  | E+3(NP) | F            | ✓         | 33.1     | 95.4       | 364,366     |
| 100 | 1775 | 230/460 | 234.0/117.0    | 1.20           | 404TS | <b>TS14041</b> ⚡ | E+      | F            | ✓         | 30.1     | 94.1       | 1,8,362,364 |
| 100 | 1775 | 230/460 | 230.0/115.0    | 1.15           | 404TS | <b>TS17041</b> ⚡ | E+3(NP) | F            | ✓         | 30.1     | 95.4       | 362,364     |
| 100 | 1775 | 230/460 | 230.0/115.0    | 1.15           | 404T  | <b>T35041</b> ⚡  | E+3(NP) | F            | ✓         | 33.1     | 95.4       | 362,364     |
| 100 | 1775 | 575     | 92.0           | 1.15           | 404T  | <b>T37041</b> ⚡  | E+3(NP) | F            | ✓         | 33.1     | 95.4       | 364,366     |
| 100 | 1185 | 230/460 | 240.0/120.0    | 1.15           | 444T  | <b>T35066</b> ⚡  | E+3(NP) | F            | ✓         | 37.7     | 95.0       | 362,364     |
| 125 | 3560 | 230/460 | 284.0/142.0    | 1.15           | 404TS | <b>T35017</b> ⚡  | E+3(NP) | F            | ✓         | 30.1     | 94.1       | 362,364     |
| 125 | 1775 | 230/460 | 287.0/143.5    | 1.15           | 405TS | <b>TS17042</b> ⚡ | E+3(NP) | F            | ✓         | 31.6     | 95.4       | 362,364     |
| 125 | 1775 | 230/460 | 287.0/143.5    | 1.15           | 405T  | <b>T35042</b> ⚡  | E+3(NP) | F            | ✓         | 34.6     | 95.4       | 362,364     |
| 125 | 1775 | 575     | 116.0          | 1.15           | 405T  | <b>T26042</b> ⚡  | E+      | F            | ✓         | 34.6     | 94.5       | 364,366     |
| 125 | 1775 | 575     | 115.0          | 1.15           | 405T  | <b>T37042</b> ⚡  | E+3(NP) | F            | ✓         | 34.6     | 95.4       | 364,366     |
| 125 | 1185 | 230/460 | 303.0/151.5    | 1.15           | 445T  | <b>T35067</b> ⚡  | E+3(NP) | F            | ✓         | 39.7     | 95.0       | 362,364     |

## Notes:

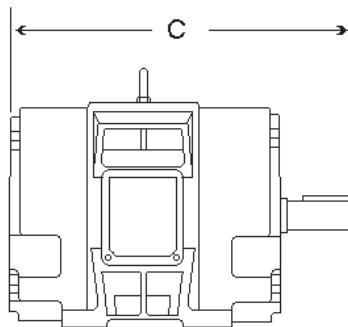
1. To be discontinued when stock is depleted
8. NEMA Design A
362. 12 lead - capability for Y Start-Delta Run
364. Open bearings with regreasing provisions
366. 6 leads

Continues on next page




Motors specially designed, tested and warranted to be **Corona-Free** for compatible inverter duty are marked on this page with a ⚡. See page 4 and 5 of this catalog for more Speed Engineered® motors information.

Performance at 200 or 208 volts may not be in accordance with NEMA standards.





## Features:

- Ball Bearings
- Continuous Duty
- Dripproof
- Squirrel Cage
- Energy Efficient \$
- Rigid Base
- Standard, EPA Act  CC001A (E-Plus® motors) and Premium (E-Plus® 3 motors) Efficiency
- 40°C Ambient
- 60 Hz
- NEMA Design B, unless noted
- E-Plus® Motors meet the requirements of the Energy Policy Act of 1992. E-Plus® 3 motors exceed the requirements of the Energy Policy Act of 1992. **E+3(NP) is NEMA Premium Efficient.**



TS17004

**Applications:** Pumps, fans, compressors, conveyors.

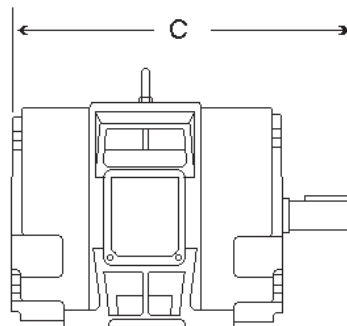
| HP  | RPM  | Volts   | Full Load Amps | Service Factor | Frame | Stock Number     | Type    | Insul. Class | Cast Iron | "C" Dim. | Efficiency | Notes     |
|-----|------|---------|----------------|----------------|-------|------------------|---------|--------------|-----------|----------|------------|-----------|
| 150 | 3555 | 230/460 | 338.0/169.0    | 1.15           | 405TS | <b>T35018</b> ⚡  | E+3(NP) | F            | √         | 31.6     | 94.1       | 362,364   |
| 150 | 1780 | 230/460 | 343.0/171.5    | 1.15           | 444TS | <b>TS17043</b> ⚡ | E+3(NP) | F            | √         | 33.9     | 95.8       | 8,364,366 |
| 150 | 1780 | 230/460 | 343.0/171.5    | 1.15           | 444T  | <b>T35043</b> ⚡  | E+3(NP) | F            | √         | 37.7     | 95.8       | 8,362,364 |
| 150 | 1780 | 575     | 137.0          | 1.15           | 444T  | <b>T37043</b> ⚡  | E+3(NP) | F            | √         | 37.7     | 95.8       | 364,366   |
| 150 | 1185 | 230/460 | 358.0/179.0    | 1.15           | 445T  | <b>T35068</b> ⚡  | E+3(NP) | F            | √         | 43.2     | 95.4       | 362,364   |
| 200 | 3560 | 460     | 225.0          | 1.15           | 444TS | <b>T35019</b> ⚡  | E+3(NP) | F            | √         | 33.9     | 95.0       | 65,364    |
| 200 | 1780 | 460     | 228.0          | 1.15           | 445TS | <b>TS17044</b> ⚡ | E+3(NP) | F            | √         | 35.9     | 95.8       | 362,364   |
| 200 | 1780 | 460     | 228.0          | 1.15           | 445T  | <b>T35044</b> ⚡  | E+3(NP) | F            | √         | 39.7     | 95.8       | 362,364   |
| 200 | 1780 | 575     | 182.0          | 1.15           | 445T  | <b>T37044</b> ⚡  | E+3(NP) | F            | √         | 39.7     | 95.8       | 364,366   |
| 200 | 1185 | 460     | 238.0          | 1.15           | 447TZ | <b>T35069</b> ⚡  | E+3(NP) | F            | √         | 44.7     | 95.4       | 362,364   |

**Notes:**

- 8. NEMA Design A
- 65. Six lead - Wye Delta
- 362. 12 lead - capability for Y Start-Delta Run
- 364. Open bearings with regreasing provisions
- 366. 6 leads




Motors specially designed, tested and warranted to be **Corona-Free** for compatible inverter duty are marked on this page with a ⚡. See page 4 and 5 of this catalog for more Speed Engineered® motors information.








# Three Phase Totally Enclosed Motors

## Features:

- Ball Bearings
- Continuous Duty
- Squirrel Cage
- Energy Efficient \$
- Rigid Base
- No Protector
- Standard, EPAct  CC001A (E-Plus<sup>®</sup> motors) and Premium (E-Plus<sup>®</sup> 3 motors) Efficiency
- 40°C Ambient
- 60 Hz
- E-Plus<sup>®</sup> Motors meet the requirements of the Energy Policy Act of 1992. E-Plus<sup>®</sup> 3 motors exceed the requirements of the Energy Policy Act of 1992. **E+3(NP) is NEMA Premium Efficient.**



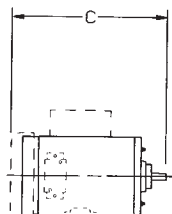
**Applications:** Pumps, fans, compressors, conveyors.

| HP  | RPM       | Volts       | Full Load Amps | Service Factor | Frame | Stock Number   | Type    | Insul. Class | Cast Iron | "C" Dim. | Notes             |
|-----|-----------|-------------|----------------|----------------|-------|--|---------|--------------|-----------|----------|-------------------|
| 1/4 | 1725/1425 | 208-230/460 | 1.4-1.5/1.75   | 1.00           | 48Y   | H201A  |         | B            |           | 8.5      | 6,118             |
| 1/4 | 1140      | 200-230/460 | 1.3-1.2/1.6    | 1.15           | 56    | H205   |         | B            |           | 10.1     | 14                |
| 1/3 | 3450      | 200-230/460 | 1.3-1.4/1.7    | 1.15           | 56    | H238   |         | B            |           | 9.8      | 14                |
| 1/3 | 1725/1425 | 208-230/460 | 1.1-1.1/1.6    | 1.00           | 48Y   | H261A  |         | B            |           | 8.7      | 6,118             |
| 1/3 | 1725/1425 | 200-230/460 | 1.2-1.2/1.6    | 1.15           | 56    | H263L  |         | B            |           | 10.5     | 6,14, <b>New!</b> |
| 1/3 | 1725      | 200-230/460 | 1.2-1.2/1.6    | 1.15           | 56    | H688L  |         | B            |           | 11.0     | <b>New!</b>       |
| 1/3 | 1140      | 200-230/460 | 1.8-1.6/1.8    | 1.15           | 56    | H268   |         | B            |           | 11.1     | 14                |
| 1/3 | 1140      | 200-230/460 | 1.9-1.8/1.9    | 1.50           | 56    | H1040  |         | B            |           | 12.2     | 171,346,118       |
| 1/2 | 3450      | 200-230/460 | 1.9-1.8/1.9    | 1.15           | 56    | H271   |         | B            |           | 9.8      | 14                |
| 1/2 | 1725      | 200-230/460 | 1.6-1.8/1.9    | 1.15           | 56    | H274V1   |         | B            |           | 11.1     | 14, <b>New!</b>   |
| 1/2 | 1725      | 208-230/460 | 1.6-1.8/1.9    | 1.15           | 56    | H868L  |         | B            |           | 11.0     | <b>New!</b>       |
| 1/2 | 1725      | 575         | 0.7            | 1.15           | 56    | H276   |         | B            |           | 11.1     | 1,14              |
| 1/2 | 1725      | 575         | 0.7            | 1.25           | 56    | H276L  |         | B            |           | 11.1     | 14, <b>New!</b>   |
| 1/2 | 1140      | 200-230/460 | 2.1-2.0/1.0    | 1.15           | 56    | H280   |         | B            |           | 11.1     | 14                |
| 1/2 | 1140      | 575         | 0.7            | 1.00           | 56    | H249   |         | A            |           | 11.1     | 14                |
| 3/4 | 3450      | 200-230/460 | 2.5-2.4/1.2    | 1.15           | 56    | H448   |         | B            |           | 11.1     | 14                |
| 3/4 | 1725      | 200-230/460 | 2.3-2.4/1.2    | 1.15           | 56    | H580L  |         | B            |           | 11.4     | 14, <b>New!</b>   |
| 3/4 | 1725      | 200-230/460 | 2.5-2.4/1.2    | 1.15           | 56    | H869L  |         | B            |           | 11.0     | <b>New!</b>       |
| 3/4 | 1725      | 575         | 0.8            | 1.15           | 56    | H461L  |         | B            |           | 12.2     | 14, <b>New!</b>   |
| 3/4 | 1140      | 200-230/460 | 3.2-3.2/1.6    | 1.15           | 56    | H468   |         | B            |           | 12.2     |                   |
| 1   | 3450      | 200-230/460 | 3.2-3.0/1.5    | 1.15           | 56    | H505   |         | B            |           | 11.2     |                   |
| 1   | 3450      | 575         | 1.15           | 1.15           | 56    | H517   |         | B            |           | 11.2     |                   |
| 1   | 1740      | 200         | 3.4            | 1.15           | 143T  | T55026  | E+3(NP) | F            | √         | 13.2     | 11,363,365        |
| 1   | 1725      | 200-230/460 | 3.3-3.2/1.6    | 1.15           | 56    | H524L  |         | B            |           | 11.7     | <b>New!</b>       |
| 1   | 1730      | 230/460     | 2.8/1.4        | 1.15           | 143T  | T57026  | E+3(NP) | F            | √         | 13.2     | 11,361,363        |
| 1   | 1725      | 575         | 1.4            | 1.15           | 56    | H525L  |         | B            |           | 11.6     | <b>New!</b>       |
| 1   | 1730      | 575         | 1.1            | 1.15           | 143T  | T59026  | E+3(NP) | F            | √         | 13.2     | 11,363,365        |
| 1   | 1140      | 200-230/460 | 4.2-3.8/1.9    | 1.15           | 56H   | H528   |         | B            |           | 13.4     |                   |
| 1   | 1140      | 230/460     | 3.4/1.7        | 1.15           | 145T  | T57051  | E+3(NP) | F            | √         | 13.2     | 11,361,363        |
| 1   | 1140      | 575         | 1.4            | 1.15           | 145T  | T59051  | E+3(NP) | F            | √         | 13.2     | 11,363,365        |

## Notes:


- 6. 60/50 Hz
- 11. C Flange kit available
- 14. Totally enclosed non-ventilated
- 118. TEAO
- 171. Motor is thermally protected
- 346. 65 degree C ambient
- 361. 9 leads
- 363. Double shielded bearings with no regreasing provisions
- 365. 3 leads

Published efficiency on tri-voltage rated motors applies at 230/460 volts. Performance at 200 or 208 volts may not be in accordance with NEMA standards. Published efficiency on 200-208 volt motors applies at 200 volts.



Continues on next page



Motors specially designed, tested and warranted to be **Corona-Free** for compatible inverter duty are marked on this page with a . See page 4 and 5 of this catalog for more Speed Engineered<sup>®</sup> motors information.

## Features:

- Ball Bearings
- Continuous Duty
- Squirrel Cage
- Energy Efficient \$
- Rigid Base
- No Protector
- Standard, E-Plus® (E-Plus® motors) and Premium (E-Plus® 3 motors) Efficiency
- 40°C Ambient
- 60 Hz
- TEFC except as noted
- E-Plus® Motors meet the requirements of the Energy Policy Act of 1992. E-Plus® 3 motors exceed the requirements of the Energy Policy Act of 1992. **E+3(NP) is NEMA Premium Efficient.**



## Applications:

Pumps, fans, compressors, conveyors, machine tools, designed to stand up to abusive treatment..moist, dirty, dusty and factory applications.

| HP    | RPM  | Volts       | Full Load Amps | Service Factor | Frame | Stock Number | Type    | Insul. Class | Cast Iron | "C" Dim. | Efficiency | Notes                 |
|-------|------|-------------|----------------|----------------|-------|--------------|---------|--------------|-----------|----------|------------|-----------------------|
| 1 1/2 | 3450 | 200-230/460 | 4.5-4.2/2.1    | 1.15           | 56    | H530         |         | B            |           | 12.2     |            |                       |
| 1 1/2 | 3470 | 230/460     | 3.8/1.9        | 1.15           | 143T  | T57002 ⚡     | E+3(NP) | F            | ✓         | 13.2     | 84.0       | 11,361,363            |
| 1 1/2 | 3470 | 575         | 1.5            | 1.15           | 143T  | T59002 ⚡     | E+3(NP) | F            | ✓         | 13.2     | 84.0       | 11,363,365            |
| 1 1/2 | 1745 | 200         | 4.5            | 1.15           | 145T  | E124 ⚡       | E+      | B            |           | 13.7     | 84.0       | 1                     |
| 1 1/2 | 1730 | 200         | 4.8            | 1.15           | 145T  | T55027 ⚡     | E+3(NP) | F            | ✓         | 13.2     | 86.5       | 11,363,365            |
| 1 1/2 | 1725 | 200-230/460 | 4.5-4.4/2.2    | 1.15           | 56H   | H535L        |         | B            |           | 13.4     |            | <b>New!</b>           |
| 1 1/2 | 1730 | 230/460     | 4.2/2.1        | 1.15           | 145T  | T57027 ⚡     | E+3(NP) | F            | ✓         | 13.2     | 86.5       | 11,361,363            |
| 1 1/2 | 1745 | 575         | 1.56           | 1.15           | 145T  | E127 ⚡       | E+      | B            |           | 13.7     | 84.0       | 1                     |
| 1 1/2 | 1730 | 575         | 1.7            | 1.15           | 145T  | T59027 ⚡     | E+3(NP) | F            | ✓         | 13.2     | 86.5       | <b>New!</b>           |
| 1 1/2 | 1165 | 230/460     | 4.8/2.4        | 1.15           | 182T  | T57052 ⚡     | E+3(NP) | F            | ✓         | 15.4     | 87.5       | 11,361,363            |
| 1 1/2 | 1165 | 575         | 1.9            | 1.15           | 182T  | T59052 ⚡     | E+3(NP) | F            | ✓         | 15.4     | 87.5       | 11,363,365            |
| 2     | 3450 | 200-230/460 | 6.0-5.5/2.75   | 1.15           | 56    | H537         |         | B            |           | 12.2     |            |                       |
| 2     | 3475 | 230/460     | 5.0/2.5        | 1.15           | 145T  | T57003 ⚡     | E+3(NP) | F            | ✓         | 13.2     | 85.5       | 11,361,363            |
| 2     | 3475 | 575         | 2.0            | 1.15           | 145T  | T59003 ⚡     | E+3(NP) | F            | ✓         | 13.2     | 85.5       | 11,363,365            |
| 2     | 1745 | 200         | 6.1            | 1.15           | 145T  | E125 ⚡       | E+      | B            |           | 13.7     | 84.0       | 1                     |
| 2     | 1745 | 200         | 6.1            | 1.15           | 145T  | E125L ⚡      | E+      | B            |           | 13.7     | 84.0       | <b>New!</b>           |
| 2     | 1730 | 200         | 6.4            | 1.15           | 145T  | T55028 ⚡     | E+3(NP) | F            | ✓         | 13.2     | 86.5       | 11,363,365            |
| 2     | 1725 | 208-230/460 | 6.0-5.8/2.9    | 1.00           | 145T  | H1032        |         | B            |           | 13.3     |            | 1,118                 |
| 2     | 1725 | 208-230/460 | 6.1-6.0/3.0    | 1.00           | 145T  | H1032L       |         | B            |           | 13.3     |            | 118, 346, <b>New!</b> |
| 2     | 1730 | 230/460     | 5.6/2.8        | 1.15           | 145T  | T57028 ⚡     | E+3(NP) | F            | ✓         | 13.2     | 86.5       | 11,361,363            |
| 2     | 1730 | 575         | 2.2            | 1.15           | 145T  | T59028 ⚡     | E+3(NP) | F            | ✓         | 13.2     | 86.5       | 11,363,365            |
| 2     | 1165 | 230/460     | 5.8/2.9        | 1.15           | 184T  | T57053 ⚡     | E+3(NP) | F            | ✓         | 15.4     | 88.5       | 11,361,363            |
| 2     | 1165 | 575         | 2.5            | 1.15           | 184T  | T48053 ⚡     | E+      | F            | ✓         | 15.4     | 86.5       | 11,363,365            |
| 2     | 1165 | 575         | 2.3            | 1.15           | 184T  | T59053 ⚡     | E+3(NP) | F            | ✓         | 15.4     | 88.5       | 11,363,365            |

### Notes:

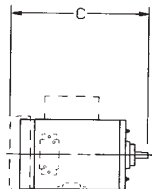
1. Item to be discontinued when stock is depleted
11. C flange kit available
118. TEAO
346. 65 degree C ambient
361. 9 leads
363. Double shielded bearings with no regreasing provisions
365. 3 leads

Continues on next page



Motors specially designed, tested and warranted to be **Corona-Free** for compatible inverter duty are marked on this page with a ⚡. See page 4 and 5 of this catalog for more Speed Engineered® motors information.

Published efficiency on tri-voltage rated motors applies at 230/460 volts. Performance at 200 or 208 volts may not be in accordance with NEMA standards. Published efficiency on 200-208 volt motors applies at 200 volts.



## Features:

- Ball Bearings
- Continuous Duty
- Squirrel Cage
- Energy Efficient \$
- Rigid Base
- NEMA Design B
- No Protector
- Standard, EPAAct (EE) CC001A (E-Plus® motors) and Premium (E-Plus® 3 motors) Efficiency
- 40°C Ambient
- 60 Hz
- TEFC
- E-Plus® Motors meet the requirements of the Energy Policy Act of 1992. E-Plus® 3 motors exceed the requirements of the Energy Policy Act of 1992. **E+3(NP) is NEMA Premium Efficient.**



H738

## Applications:

Pumps, fans, compressors, conveyors, machine tools, designed to stand up to abusive treatment..moist, dirty, dusty and factory applications.

| HP | RPM  | Volts       | Full Load Amps | Service Factor | Frame | Stock Number | Type    | Insul. Class | Cast Iron | "C" Dim. | Efficiency | Notes      |
|----|------|-------------|----------------|----------------|-------|--------------|---------|--------------|-----------|----------|------------|------------|
| 3  | 3450 | 200-230/460 | 9.6-9.8/4.9    | 1.15           | 56HZ  | H738         |         | B            |           | 15.0     |            | 15         |
| 3  | 3505 | 230/460     | 7.2/3.6        | 1.15           | 182T  | T57004       | E+3(NP) | F            | ✓         | 15.4     | 86.5       | 11,361,363 |
| 3  | 3520 | 575         | 2.9            | 1.15           | 182T  | T48004       | E+      | F            | ✓         | 15.4     | 85.5       | 11,363,365 |
| 3  | 3505 | 575         | 2.9            | 1.15           | 182T  | T59004       | E+3(NP) | F            | ✓         | 15.4     | 86.5       | 11,363,365 |
| 3  | 1735 | 200         | 8.7            | 1.15           | 182T  | T44029       | E+      | F            | ✓         | 15.4     | 87.5       | 11,363,365 |
| 3  | 1760 | 200         | 9.0            | 1.15           | 182T  | T55029       | E+3(NP) | F            | ✓         | 15.4     | 89.5       | 11,363,365 |
| 3  | 1745 | 230/460     | 7.8/3.9        | 1.15           | 182T  | T57029       | E+3(NP) | F            | ✓         | 15.4     | 89.5       | 11,361,363 |
| 3  | 1745 | 575         | 3.1            | 1.15           | 182T  | T59029       | E+3(NP) | F            | ✓         | 15.4     | 89.5       | 11,363,365 |
| 3  | 1165 | 230/460     | 8.6/4.3        | 1.15           | 213T  | T57054       | E+3(NP) | F            | ✓         | 19.4     | 89.5       | 11,362,363 |
| 3  | 1170 | 575         | 3.5            | 1.15           | 213T  | T59054       | E+3(NP) | F            | ✓         | 19.4     | 89.5       | 11,363,365 |
| 5  | 3505 | 230/460     | 11.6           | 1.15           | 184T  | T57005       | E+3(NP) | F            | ✓         | 15.4     | 88.5       | 11,361,363 |
| 5  | 3505 | 575         | 4.7            | 1.15           | 184T  | T59005       | E+3(NP) | F            | ✓         | 15.4     | 88.5       | 11,363,365 |
| 5  | 1745 | 200         | 14.7           | 1.15           | 184T  | T55030       | E+3(NP) | F            | ✓         | 15.4     | 89.5       | 11,363,365 |
| 5  | 1745 | 230/460     | 12.8/6.4       | 1.15           | 184T  | T57030       | E+3(NP) | F            | ✓         | 15.4     | 89.5       | 11,361,363 |
| 5  | 1745 | 575         | 5.1            | 1.15           | 184T  | T59030       | E+3(NP) | F            | ✓         | 15.4     | 89.5       | 11,363,365 |
| 5  | 1170 | 230/460     | 13.8/6.9       | 1.15           | 215T  | T57055       | E+3(NP) | F            | ✓         | 19.4     | 89.5       | 11,362,363 |
| 5  | 1170 | 575         | 5.5            | 1.15           | 215T  | T59055       | E+3(NP) | F            | ✓         | 19.4     | 89.5       | 11,363,365 |

### Notes:

- 11. C Flange kit available
- 15. 56HZ = 7/8" keyed X 2 5/16" shaft
- 361. 9 leads
- 362. 12 lead - capability for Y Start-Delta Run
- 363. Double shielded bearings with no regreasing provisions
- 365. 3 leads

Published efficiency on tri-voltage rated motors applies at 230/460 volts.  
Performance at 200 or 208 volts may not be in accordance with NEMA standards.  
Published efficiency on 200-208 volt motors applies at 200 volts.



Motors specially designed, tested and warranted to be **Corona-Free** for compatible inverter duty are marked on this page with a ⚡. See page 4 and 5 of this catalog for more Speed Engineered® motors information.

Continues on next page

## Features:

- Ball Bearings
- Continuous Duty
- Squirrel Cage
- Energy Efficient \$
- Rigid Base
- NEMA Design B
- Standard, E-Plus® (E-Plus® motors) and Premium (E-Plus® 3 motors) Efficiency
- 40°C Ambient
- 60 Hz
- E-Plus® Motors meet the requirements of the Energy Policy Act of 1992. E-Plus® 3 motors exceed the requirements of the Energy Policy Act of 1992. **E+3(NP) is NEMA Premium Efficient.**



T57006

## Applications:

Pumps, fans, compressors, conveyors, machine tools, designed to stand up to abusive treatment..moist, dirty, dusty and factory applications.

| HP    | RPM  | Volts   | Full Load Amps | Service Factor | Frame | Stock Number    | Type    | Insul. Class | Cast Iron | "C" Dim. | Efficiency | Notes      |
|-------|------|---------|----------------|----------------|-------|-----------------|---------|--------------|-----------|----------|------------|------------|
| 7 1/2 | 3500 | 230/460 | 5.8            | 1.15           | 213T  | <b>T57006</b> ⚡ | E+3(NP) | F            | √         | 19.4     | 89.5       | 11,362,363 |
| 7 1/2 | 3500 | 575     | 7.2            | 1.15           | 213T  | <b>T59006</b> ⚡ | E+3(NP) | F            | √         | 19.4     | 89.5       | 11,363,365 |
| 7 1/2 | 1750 | 200     | 21.5           | 1.15           | 213T  | <b>T55031</b> ⚡ | E+3(NP) | F            | √         | 19.4     | 91.7       | 11,363,365 |
| 7 1/2 | 1750 | 230/460 | 18.2/9.1       | 1.15           | 213T  | <b>T57031</b> ⚡ | E+3(NP) | F            | √         | 19.4     | 91.7       | 11,362,363 |
| 7 1/2 | 1750 | 575     | 7.3            | 1.15           | 213T  | <b>T59031</b> ⚡ | E+3(NP) | F            | √         | 19.4     | 91.7       | 11,363,365 |
| 7 1/2 | 1170 | 230/460 | 20.2/10.1      | 1.15           | 254T  | <b>T57056</b> ⚡ | E+3(NP) | F            | √         | 25.1     | 91.0       | 11,362,364 |
| 7 1/2 | 1170 | 575     | 8.1            | 1.15           | 254T  | <b>T59056</b> ⚡ | E+3(NP) | F            | √         | 25.1     | 91.0       | 11,364,365 |
| 10    | 3500 | 230/460 | 18.0/9.0       | 1.15           | 215T  | <b>T57007</b> ⚡ | E+3(NP) | F            | √         | 19.4     | 90.2       | 11,362,363 |
| 10    | 3500 | 575     | 9.2            | 1.15           | 215T  | <b>T59007</b> ⚡ | E+3(NP) | F            | √         | 19.4     | 90.2       | 11,363,365 |
| 10    | 1750 | 200     | 28.0           | 1.15           | 215T  | <b>T55032</b> ⚡ | E+3(NP) | F            | √         | 19.4     | 91.7       | 11,363,365 |
| 10    | 1750 | 230/460 | 23.8/11.9      | 1.15           | 215T  | <b>T57032</b> ⚡ | E+3(NP) | F            | √         | 19.4     | 91.7       | 11,362,363 |
| 10    | 1750 | 575     | 9.5            | 1.15           | 215T  | <b>T59032</b> ⚡ | E+3(NP) | F            | √         | 19.4     | 91.7       | 11,363,365 |
| 10    | 1170 | 230/460 | 26.4/13.2      | 1.15           | 256T  | <b>T57057</b> ⚡ | E+3(NP) | F            | √         | 25.1     | 91.0       | 11,362,364 |
| 10    | 1170 | 575     | 10.6           | 1.15           | 256T  | <b>T59057</b> ⚡ | E+3(NP) | F            | √         | 25.1     | 91.0       | 11,364,365 |

## Notes:

- 11. C flange kit available
- 362. 12 lead – Capability for Y Start-Delta Run
- 363. Double shielded bearings with no regreasing provisions
- 364. Open bearings with regreasing provisions
- 365. 3 leads

Published efficiency on tri-voltage rated motors applies at 230/460 volts.  
Performance at 200 or 208 volts may not be in accordance with NEMA standards.  
Published efficiency on 200-208 volt motors applies at 200 volts.



Motors specially designed, tested and warranted to be **Corona-Free** for compatible inverter duty are marked on this page with a ⚡. See page 4 and 5 of this catalog for more Speed Engineered® motors information.

Continues on next page

# Three Phase TEFC Motors

Continued from previous page

## Features:

- Ball Bearings
- Continuous Duty
- Squirrel Cage
- Energy Efficient \$
- Rigid Base
- NEMA Design B
- Standard, EPAAct (EE) CC001A (E-Plus® motors) and Premium (E-Plus® 3 motors) Efficiency
- 40°C Ambient
- 60 Hz
- TEFC
- E-Plus® Motors meet the requirements of the Energy Policy Act of 1992. E-Plus® 3 motors exceed the requirements of the Energy Policy Act of 1992. **E+3(NP) is NEMA Premium Efficient.**



T59008

## Applications:

Pumps, fans, compressors, conveyors, machine tools, designed to stand up to abusive treatment..moist, dirty, dusty and factory applications.

| HP | RPM  | Volts   | Full Load Amps | Service Factor | Frame | Stock Number    | Type    | Insul. Class | Cast Iron | "C" Dim. | Efficiency | Notes      |
|----|------|---------|----------------|----------------|-------|-----------------|---------|--------------|-----------|----------|------------|------------|
| 15 | 3510 | 230/460 | 23.0/11.5      | 1.15           | 254T  | <b>T57008</b> ⚡ | E+3(NP) | F            | √         | 25.1     | 91.0       | 11,362,364 |
| 15 | 3510 | 575     | 13.8           | 1.15           | 254T  | <b>T59008</b> ⚡ | E+3(NP) | F            | √         | 25.1     | 91.0       | 11,364,365 |
| 15 | 1750 | 200     | 41.0           | 1.15           | 254T  | <b>T44033</b> ⚡ | E+      | F            | √         | 25.1     | 91.0       | 11,364,365 |
| 15 | 1760 | 230/460 | 37.0/18.5      | 1.15           | 254T  | <b>T57033</b> ⚡ | E+3(NP) | F            | √         | 25.1     | 92.4       | 11,362,364 |
| 15 | 1765 | 200     | 42.5           | 1.15           | 254T  | <b>T55033</b> ⚡ | E+3(NP) | F            | √         | 25.1     | 92.4       | 11,364,365 |
| 15 | 1760 | 575     | 14.8           | 1.15           | 254T  | <b>T59033</b> ⚡ | E+3(NP) | F            | √         | 25.1     | 92.4       | 11,364,365 |
| 15 | 1170 | 230/460 | 38.8/19.4      | 1.15           | 284T  | <b>T57058</b> ⚡ | E+3(NP) | F            | √         | 26.9     | 91.7       | 11,362,364 |
| 15 | 1170 | 575     | 15.5           | 1.15           | 284T  | <b>T59058</b> ⚡ | E+3(NP) | F            | √         | 26.9     | 91.7       | 11,364,365 |
| 20 | 3510 | 230/460 | 34.6/17.3      | 1.15           | 256T  | <b>T57009</b> ⚡ | E+3(NP) | F            | √         | 25.1     | 91.0       | 11,362,364 |
| 20 | 3510 | 575     | 18.4           | 1.15           | 256TS | <b>T59009</b> ⚡ | E+3(NP) | F            | √         | 25.1     | 91.0       | 11,364,365 |
| 20 | 1760 | 200     | 56.4           | 1.15           | 256T  | <b>T55034</b> ⚡ | E+3(NP) | F            | √         | 25.1     | 93.0       | 11,364,365 |
| 20 | 1760 | 230/460 | 49.0/24.5      | 1.15           | 256T  | <b>T57034</b> ⚡ | E+3(NP) | F            | √         | 25.1     | 93.0       | 11,362,364 |
| 20 | 1760 | 575     | 19.6           | 1.15           | 256T  | <b>T59034</b> ⚡ | E+3(NP) | F            | √         | 25.1     | 93.0       | 11,364,365 |
| 20 | 1170 | 230/460 | 51.0/25.5      | 1.15           | 286T  | <b>T57059</b> ⚡ | E+3(NP) | F            | √         | 28.4     | 91.7       | 11,362,364 |
| 20 | 1170 | 575     | 20.4           | 1.15           | 286T  | <b>T59059</b> ⚡ | E+3(NP) | F            | √         | 28.4     | 91.7       | 11,364,365 |

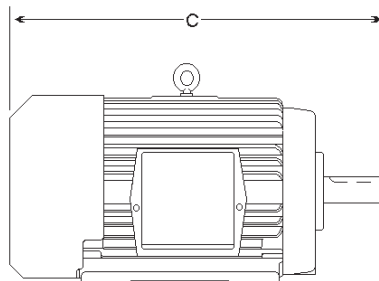
## Notes:

- 11. C Flange kit available
- 362. 12 lead - capability for Y Start-Delta Run
- 364. Open bearings with regreasing provisions
- 365. 3 leads

Continues on next page



Motors specially designed, tested and warranted to be **Corona-Free** for compatible inverter duty are marked on this page with a ⚡. See page 4 and 5 of this catalog for more Speed Engineered® motors information.





## Features:

- Ball Bearings
- Continuous Duty
- Squirrel Cage
- Energy Efficient \$
- Rigid Base
- NEMA Design B
- Standard, E-Plus® (E-Plus® motors) and Premium (E-Plus® 3 motors) Efficiency
- 40°C Ambient
- 60 Hz
- TEFC
- E-Plus® Motors meet the requirements of the Energy Policy Act of 1992. E-Plus® 3 motors exceed the requirements of the Energy Policy Act of 1992. **E+3(NP) is NEMA Premium Efficient.**



## Applications:

Pumps, fans, compressors, conveyors, machine tools, designed to stand up to abusive treatment..moist, dirty, dusty and factory applications.

| HP | RPM  | Volts   | Full Load Amps | Service Factor | Frame | Stock Number    | Type    | Insul. Class | Cast Iron | "C" Dim. | Efficiency | Notes           |
|----|------|---------|----------------|----------------|-------|-----------------|---------|--------------|-----------|----------|------------|-----------------|
| 25 | 3520 | 230/460 | 46.0/23.0      | 1.15           | 284TS | <b>T57010</b> ⚡ | E+3(NP) | F            | √         | 25.5     | 91.7       | 11,362,364      |
| 25 | 3520 | 575     | 23.0           | 1.15           | 284TS | <b>T59010</b> ⚡ | E+3(NP) | F            | √         | 25.5     | 91.7       | 11,364,365      |
| 25 | 1765 | 200     | 69.0           | 1.15           | 284T  | <b>T55035</b> ⚡ | E+3(NP) | F            | √         | 26.9     | 93.6       | 11,364,365      |
| 25 | 1765 | 230/460 | 60.0/30.0      | 1.15           | 284T  | <b>T57035</b> ⚡ | E+3(NP) | F            | √         | 26.9     | 93.6       | 11,362,364      |
| 25 | 1765 | 575     | 24.0           | 1.15           | 284T  | <b>T59035</b> ⚡ | E+3(NP) | F            | √         | 26.9     | 93.6       | 11,364,365      |
| 25 | 1175 | 230/460 | 60.4/30.2      | 1.15           | 324T  | <b>T57060</b> ⚡ | E+3(NP) | F            | √         | 29.7     | 93.0       | 11,362,364      |
| 25 | 1175 | 575     | 24.2           | 1.15           | 324T  | <b>T59060</b> ⚡ | E+3(NP) | F            | √         | 29.7     | 93.0       | 11,362,364      |
| 30 | 3525 | 230/460 | 57.4/28.7      | 1.15           | 286TS | <b>T57011</b> ⚡ | E+3(NP) | F            | √         | 27.0     | 91.7       | 11,362,364      |
| 30 | 3525 | 575     | 27.3           | 1.15           | 286TS | <b>T59011</b> ⚡ | E+3(NP) | F            | √         | 27.0     | 91.7       | 11,364,365      |
| 30 | 1765 | 230/460 | 72.0/36.0      | 1.15           | 286T  | <b>T57036</b> ⚡ | E+3(NP) | F            | √         | 28.4     | 93.6       | 11,362,364      |
| 30 | 1765 | 575     | 28.8           | 1.15           | 286T  | <b>T59036</b> ⚡ | E+3(NP) | F            | √         | 28.4     | 93.6       | 11,364,365      |
| 30 | 1175 | 230/460 | 72.0/36.0      | 1.15           | 326T  | <b>T46061</b> ⚡ | E+      | F            | √         | 31.3     | 91.7       | 1,11,23,362,364 |
| 30 | 1175 | 230/460 | 72.0/36.0      | 1.15           | 326T  | <b>T57061</b> ⚡ | E+3(NP) | F            | √         | 31.3     | 93.0       | 11,362,364      |
| 30 | 1175 | 575     | 28.8           | 1.15           | 326T  | <b>T59061</b> ⚡ | E+3(NP) | F            | √         | 31.3     | 93.0       | 11,364,365      |

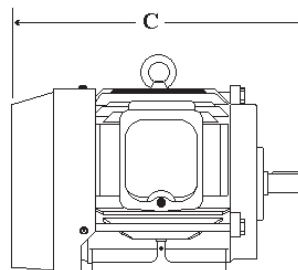
## Notes:

1. Item to be discontinued when stock is depleted
11. C flange kit available
23. Suitable for 200/400 Volt and 50 HZ
362. 12 lead – Capability for Y Start-Delta Run
364. Open bearings with regreasing provisions
365. 3 leads

Continues on next page



Motors specially designed, tested and warranted to be **Corona-Free** for compatible inverter duty are marked on this page with a ⚡. See page 4 and 5 of this catalog for more Speed Engineered® motors information.



# Three Phase TEFC Motors

Continued from previous page

## Features:

- Ball Bearings
- Continuous Duty
- Squirrel Cage
- Energy Efficient \$
- Rigid Base
- NEMA Design B
- \* No Protector
- Standard, EPAAct (EE) CC001A (E-Plus® motors) and Premium (E-Plus® 3 motors) Efficiency
- 40°C Ambient
- 60 Hz
- TEFC
- E-Plus® Motors meet the requirements of the Energy Policy Act of 1992. E-Plus® 3 motors exceed the requirements of the Energy Policy Act of 1992. **E+3(NP) is NEMA Premium Efficient.**



T57012

## Applications:

Pumps, fans, compressors, conveyors, machine tools, designed to stand up to abusive treatment..moist, dirty, dusty and factory applications.

| HP | RPM  | Volts   | Full Load Amps | Service Factor | Frame | Stock Number     | Type    | Insul. Class | Cast Iron | "C" Dim. | Efficiency | Notes         |
|----|------|---------|----------------|----------------|-------|------------------|---------|--------------|-----------|----------|------------|---------------|
| 40 | 3530 | 230/460 | 68.2/34.1      | 1.15           | 324TS | <b>T57012</b> ⚡  | E+3(NP) | F            | ✓         | 28.2     | 92.4       | 11,362,364    |
| 40 | 3530 | 575     | 37.4           | 1.15           | 324TS | <b>T59012</b> ⚡  | E+3(NP) | F            | ✓         | 28.2     | 92.4       | 11,13,364,365 |
| 40 | 1770 | 230/460 | 94.8/47.4      | 1.15           | 324T  | <b>T57037</b> ⚡  | E+3(NP) | F            | ✓         | 29.7     | 94.1       | 8,11,362,364  |
| 40 | 1770 | 575     | 38.0           | 1.15           | 324T  | <b>T59037</b> ⚡  | E+3(NP) | F            | ✓         | 29.7     | 94.1       | 11,364,365    |
| 40 | 1180 | 230/460 | 96.0/48.0      | 1.15           | 364T  | <b>T57062</b> ⚡  | E+3(NP) | F            | ✓         | 32.5     | 94.1       | 362,364       |
| 50 | 3550 | 230/460 | 93.4/46.7      | 1.15           | 326TS | <b>T57013</b> ⚡  | E+3(NP) | F            | ✓         | 29.8     | 93.0       | 11,362,364    |
| 50 | 3550 | 575     | 45.6           | 1.15           | 326TS | <b>T59013</b> ⚡  | E+3(NP) | F            | ✓         | 29.8     | 93.0       | 11,13,364,365 |
| 50 | 1770 | 230/460 | 118.0/59.0     | 1.15           | 326T  | <b>T57038</b> ⚡  | E+3(NP) | F            | ✓         | 31.3     | 94.5       | 11,362,364    |
| 50 | 1770 | 575     | 47.2           | 1.15           | 326T  | <b>T59038</b> ⚡  | E+3(NP) | F            | ✓         | 31.3     | 94.5       | 11,13,364,365 |
| 50 | 1180 | 230/460 | 120.0/60.0     | 1.15           | 365T  | <b>T57063</b> ⚡  | E+3(NP) | F            | ✓         | 33.5     | 94.1       | 11,362,364    |
| 60 | 3565 | 230/460 | 114.0/57.0     | 1.15           | 364TS | <b>T57014</b> ⚡  | E+3(NP) | F            | ✓         | 30.4     | 93.6       | 362,364       |
| 60 | 1770 | 230/460 | 143.0/71.5     | 1.15           | 364T  | <b>T57039</b> ⚡  | E+3(NP) | F            | ✓         | 32.5     | 95.0       | 362,364       |
| 60 | 1770 | 230/460 | 143.0/71.5     | 1.15           | 364TS | <b>TS18039</b> ⚡ | E+3(NP) | F            | ✓         | 30.4     | 95.0       | 362,364       |
| 60 | 1770 | 575     | 57.2           | 1.15           | 364T  | <b>T59039</b> ⚡  | E+3(NP) | F            | ✓         | 32.5     | 95.0       | 13,364,366    |
| 60 | 1180 | 230/460 | 148.0/74.0     | 1.15           | 404T  | <b>T57064</b> ⚡  | E+3(NP) | F            | ✓         | 39.1     | 94.5       | 362,364       |
| 75 | 3565 | 230/460 | 136.0/68.0     | 1.15           | 365TS | <b>T57015</b> ⚡  | E+3(NP) | F            | ✓         | 31.4     | 93.6       | 362,364       |
| 75 | 1770 | 230/460 | 180.0/90.0     | 1.15           | 365TS | <b>TS18040</b> ⚡ | E+3(NP) | F            | ✓         | 31.4     | 95.4       | 362,364       |
| 75 | 1770 | 230/460 | 180.0/90.0     | 1.15           | 365T  | <b>T57040</b> ⚡  | E+3(NP) | F            | ✓         | 33.5     | 95.4       | 362,364       |
| 75 | 1770 | 575     | 72.0           | 1.15           | 365T  | <b>T59040</b> ⚡  | E+3(NP) | F            | ✓         | 33.5     | 95.4       | 13,364,366    |
| 75 | 1180 | 230/460 | 181.0/90.5     | 1.15           | 405T  | <b>T57065</b> ⚡  | E+3(NP) | F            | ✓         | 40.6     | 94.5       | 362,364       |

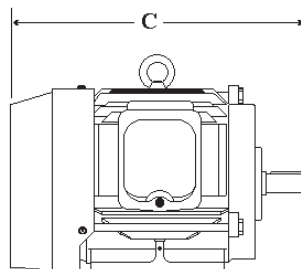
## Notes:

- 8. NEMA Design A
- 11. C Flange kit available
- 13. Six lead motor suitable for part winding start
- 362. 12 lead - capability for Y Start-Delta Run
- 364. Open bearings with regreasing provisions
- 365. 3 leads
- 366. 6 leads

Continues on next page



Motors specially designed, tested and warranted to be **Corona-Free** for compatible inverter duty are marked on this page with a ⚡. See page 4 and 5 of this catalog for more Speed Engineered® motors information.



## Features:

- Ball Bearings
- Continuous Duty
- Squirrel Cage
- Energy Efficient \$
- Rigid Base
- Standard, EPAAct (ee) CC001A (E-Plus® motors) and Premium (E-Plus® 3 motors) Efficiency
- 40°C Ambient
- 60 Hz
- TEFC
- E-Plus® Motors meet the requirements of the Energy Policy Act of 1992. E-Plus® 3 motors exceed the requirements of the Energy Policy Act of 1992. **E+3(NP) is NEMA Premium Efficient.**



## Applications:

Pumps, fans, compressors, conveyors, machine tools, designed to stand up to abusive treatment..moist, dirty, dusty and factory applications.

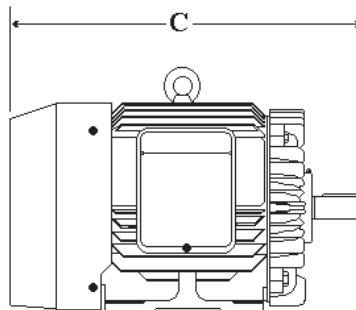
| HP  | RPM  | Volts   | Full Load Amps | Service Factor | Frame | Stock Number     | Type    | Insul. Class | Cast Iron | "C" Dim. | Efficiency | Notes      |
|-----|------|---------|----------------|----------------|-------|------------------|---------|--------------|-----------|----------|------------|------------|
| 100 | 3540 | 230/460 | 168.0/84.0     | 1.15           | 405TS | <b>T57016</b> ⚡  | E+3(NP) | F            | √         | 37.6     | 94.1       | 362,364    |
| 100 | 1775 | 575     | 96.0           | 1.15           | 405T  | <b>T59041</b> ⚡  | E+3(NP) | F            | √         | 40.6     | 95.4       | 13,364,366 |
| 100 | 1775 | 230/460 | 240.0/120.0    | 1.15           | 405T  | <b>T57041</b> ⚡  | E+3(NP) | F            | √         | 40.6     | 95.4       | 362,364    |
| 100 | 1775 | 230/460 | 240.0/120.0    | 1.15           | 405TS | <b>TS18041</b> ⚡ | E+3(NP) | F            | √         | 37.6     | 95.4       | 362,364    |
| 100 | 1180 | 230/460 | 242.0/121.0    | 1.15           | 444T  | <b>T57066</b> ⚡  | E+3(NP) | F            | √         | 45.7     | 95.0       | 362,364    |
| 125 | 3550 | 230/460 | 228.0/114.0    | 1.15           | 444TS | <b>T57017</b> ⚡  | E+3(NP) | F            | √         | 44.6     | 95.0       | 8,362,364  |
| 125 | 1775 | 230/460 | 286.0/143.0    | 1.15           | 444T  | <b>T57042</b> ⚡  | E+3(NP) | F            | √         | 45.7     | 95.4       | 362,364    |
| 125 | 1775 | 230/460 | 286.0/143.0    | 1.15           | 444TS | <b>TS18042</b> ⚡ | E+3(NP) | F            | √         | 44.6     | 95.4       | 362,364    |
| 125 | 1775 | 575     | 114.4          | 1.15           | 444T  | <b>T59042</b> ⚡  | E+3(NP) | F            | √         | 45.7     | 95.4       | 13,364,366 |
| 125 | 1180 | 230/460 | 300.0/150.0    | 1.15           | 445T  | <b>T57067</b> ⚡  | E+3(NP) | F            | √         | 47.7     | 95.0       | 362,364    |
| 150 | 3550 | 230/460 | 290.0/245.0    | 1.15           | 445TS | <b>T57018</b> ⚡  | E+3(NP) | F            | √         | 46.6     | 95.0       | 8,362,364  |
| 150 | 1780 | 230/460 | 338.0/169.0    | 1.15           | 445T  | <b>T57043</b> ⚡  | E+3(NP) | F            | √         | 47.7     | 95.8       | 362,364    |
| 150 | 1780 | 575     | 135.2          | 1.15           | 445T  | <b>T59043</b> ⚡  | E+3(NP) | F            | √         | 47.7     | 95.8       | 13,364,366 |
| 150 | 1180 | 230/460 | 356.0/178.0    | 1.15           | 447T  | <b>T57068</b> ⚡  | E+3(NP) | F            | √         | 57.5     | 95.8       | 362,364    |
| 200 | 3560 | 230/460 | 228.0          | 1.15           | 447TS | <b>T57019</b> ⚡  | E+3(NP) | F            | √         | 53.8     | 95.4       | 8,65,364   |
| 200 | 1780 | 460     | 220.0          | 1.15           | 447T  | <b>T57044</b> ⚡  | E+3(NP) | F            | √         | 57.5     | 96.2       | 362,364    |
| 200 | 1780 | 575     | 176.0          | 1.15           | 447T  | <b>T59044</b> ⚡  | E+3(NP) | F            | √         | 57.5     | 96.2       | 364,366    |
| 200 | 1185 | 460     | 234.0          | 1.15           | 449T  | <b>T57069</b> ⚡  | E+3(NP) | F            | √         | 57.5     | 95.8       | 362,364    |

## Notes:

- 8. NEMA Design A
- 13. Six lead motor suitable for part winding start
- 65. Six lead, Wye Delta
- 362. 12 lead - capability for Y Start-Delta Run
- 364. Open bearings with regreasing provisions
- 366. 6 leads



Motors specially designed, tested and warranted to be **Corona-Free** for compatible inverter duty are marked on this page with a ⚡. See page 4 and 5 of this catalog for more Speed Engineered® motors information.



# Century® Industrial E-Plus® 3 Nema Premium Severe Duty Motors

## Premium Efficient $\text{e}$ CC001A - Squirrel Cage - TEFC - Rigid Base

### Severe Duty Construction 3600 - 1800 & 1200 RPM - 1 thru 50 HP - Cast Iron



TSD61005

#### Features:

- All Cast Iron Construction
- Automatic Drain/Breather
- Continuous Duty
- Corrosion Resistant Fan
- Fully Gasketed Conduit Box
- Energy Efficient \$
- Grease Fittings
- Regreasable While Running
- Ground Lug in Conduit Box
- Shielded Bearings
- Shaft Slinger
- Plated Hardware
- 40°C Ambient
- 60 Hz
- Stainless Steel or Bronze Nameplates
- Multiple Dips and Bakes Non Hygroscopic Varnish
- 3-Year Warranty (3 years from date of manufacture, 2 years from date of installation)

| HP    | RPM  | Volts   | Full Load Amps | Service Factor | Frame | Stock Number | Type    | Insul. Class | Cast Iron | "C" Dim. | Efficiency | Notes         |
|-------|------|---------|----------------|----------------|-------|--------------|---------|--------------|-----------|----------|------------|---------------|
| 1     | 1730 | 230/460 | 2.8/1.4        | 1.15           | 143T  | TSD61026     | E+3(NP) | F            | ✓         | 13.2     | 85.5       | 11,361,363,\$ |
| 1     | 1140 | 230/460 | 3.4/1.7        | 1.15           | 145T  | TSD61051     | E+3(NP) | F            | ✓         | 13.2     | 82.5       | 11,361,363,\$ |
| 1 1/2 | 3470 | 230/460 | 3.8/1.9        | 1.15           | 143T  | TSD61002     | E+3(NP) | F            | ✓         | 13.2     | 84.0       | 11,361,363,\$ |
| 1 1/2 | 1730 | 230/460 | 4.2/2.1        | 1.15           | 145T  | TSD61027     | E+3(NP) | F            | ✓         | 13.2     | 86.5       | 11,361,363,\$ |
| 1 1/2 | 1165 | 230/460 | 4.8/2.4        | 1.15           | 182T  | TSD61052     | E+3(NP) | F            | ✓         | 15.4     | 87.5       | 11,361,363,\$ |
| 2     | 3475 | 230/460 | 5.0/2.5        | 1.15           | 145T  | TSD61003     | E+3(NP) | F            | ✓         | 13.2     | 85.5       | 11,361,363,\$ |
| 2     | 1730 | 230/460 | 5.6/2.8        | 1.15           | 145T  | TSD61028     | E+3(NP) | F            | ✓         | 13.2     | 86.5       | 11,\$         |
| 2     | 1165 | 230/460 | 5.8/2.9        | 1.15           | 184T  | TSD61053     | E+3(NP) | F            | ✓         | 15.4     | 88.5       | 11,361,363,\$ |
| 3     | 3505 | 230/460 | 7.2/3.6        | 1.15           | 182T  | TSD61004     | E+3(NP) | F            | ✓         | 15.4     | 86.5       | 11,361,363,\$ |
| 3     | 1745 | 230/460 | 7.8/3.9        | 1.15           | 182T  | TSD61029     | E+3(NP) | F            | ✓         | 15.4     | 89.5       | 11,361,363,\$ |
| 3     | 1170 | 230/460 | 8.6/4.3        | 1.15           | 213T  | TSD61054     | E+3(NP) | F            | ✓         | 19.4     | 89.5       | 11,362,363,\$ |
| 5     | 3505 | 230/460 | 11.6/5.8       | 1.15           | 184T  | TSD61005     | E+3(NP) | F            | ✓         | 15.4     | 88.5       | 11,361,363,\$ |
| 5     | 1745 | 230/460 | 12.8/6.4       | 1.15           | 184T  | TSD61030     | E+3(NP) | F            | ✓         | 15.4     | 89.5       | 11,361,363,\$ |
| 5     | 1170 | 230/460 | 13.8/6.9       | 1.15           | 215T  | TSD61055     | E+3(NP) | F            | ✓         | 19.4     | 89.5       | 11,362,363,\$ |
| 7 1/2 | 3500 | 230/460 | 18.0/9.0       | 1.15           | 213T  | TSD61006     | E+3(NP) | F            | ✓         | 19.4     | 89.5       | 11,362,363,\$ |
| 7 1/2 | 1750 | 230/460 | 18.2/9.1       | 1.15           | 213T  | TSD61031     | E+3(NP) | F            | ✓         | 19.4     | 91.7       | 11,362,363,\$ |
| 7 1/2 | 1170 | 230/460 | 20.2/10.1      | 1.15           | 254T  | TSD61056     | E+3(NP) | F            | ✓         | 25.1     | 91.0       | 11,362,364,\$ |
| 10    | 3500 | 230/460 | 23.0/11.5      | 1.15           | 215T  | TSD61007     | E+3(NP) | F            | ✓         | 19.4     | 90.2       | 11,362,363,\$ |
| 10    | 1750 | 230/460 | 23.8/11.9      | 1.15           | 215T  | TSD61032     | E+3(NP) | F            | ✓         | 19.4     | 91.7       | 11,362,363,\$ |
| 10    | 1170 | 230/460 | 26.4/13.2      | 1.15           | 256T  | TSD61057     | E+3(NP) | F            | ✓         | 25.1     | 91.0       | 11,362,364,\$ |
| 15    | 3510 | 230/460 | 34.6/17.3      | 1.15           | 254T  | TSD61008     | E+3(NP) | F            | ✓         | 25.1     | 91.0       | 11,362,364,\$ |
| 15    | 1760 | 230/460 | 37.0/18.5      | 1.15           | 254T  | TSD61033     | E+3(NP) | F            | ✓         | 25.1     | 92.4       | 11,362,364,\$ |
| 15    | 1170 | 230/460 | 38.8/19.4      | 1.15           | 284T  | TSD61058     | E+3(NP) | F            | ✓         | 26.9     | 91.7       | 11,362,364,\$ |

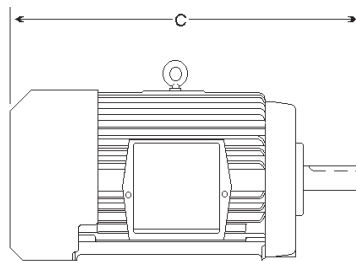
#### Notes:

- \$ Energy Efficient \$
- 11. C flange kit available
- 361. 9 lead
- 362. 12 lead – Capability for Y Start-Delta Run
- 363. Double shielded bearings with no regreasing provisions
- 364. Open bearings with regreasing provisions

Continues on next page



Motors specially designed, tested and warranted to be **Corona-Free** for compatible inverter duty are marked on this page with a **C**. See page 4 and 5 of this catalog for more Speed Engineered® motors information.




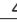


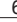

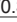


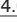
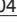

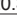


**Premium Efficient  CC001A - Squirrel Cage - TEFC - Rigid Base  
Severe Duty Construction 3600 - 1800 & 1200 RPM - 1 thru 50 HP - Cast Iron**



TSD61035

**Features:**

- All Cast Iron Construction
- Automatic Drain/Breather
- Continuous Duty
- Corrosion Resistant Fan
- Fully Gasketed Conduit Box
- Energy Efficient \$
- Grease Fittings
- Regreasable While Running
- Ground Lug in Conduit Box
- Shielded Bearings
- Shaft Slinger
- Plated Hardware
- 40°C Ambient
- 60 Hz
- Stainless Steel or Bronze Nameplates
- Multiple Dips and Bakes Non Hygroscopic Varnish
- 3-Year Warranty (3 years from date of manufacture, 2 years from date of installation)


| HP | RPM  | Volts   | Full Load Amps   | Service Factor | Frame | Stock Number   | Type    | Insul. Class | Cast Iron | "C" Dim. | Efficiency | Notes            |
|----|------|---------|------------------|----------------|-------|--|---------|--------------|-----------|----------|------------|------------------|
| 20 | 3510 | 230/460 | 47.5-46.0/23.0   | 1.15           | 256T  | TSD61009    | E+3(NP) | F            | ✓         | 25.1     | 91.0       | 11,362,364,\$    |
| 20 | 1760 | 230/460 | 49.0/24.5        | 1.15           | 256T  | TSD61034    | E+3(NP) | F            | ✓         | 25.1     | 93.0       | 11,362,364,\$    |
| 20 | 1170 | 230/460 | 55.7-51.0/25.5   | 1.15           | 286T  | TSD61059    | E+3(NP) | F            | ✓         | 28.4     | 91.7       | 11,362,364,\$    |
| 25 | 3520 | 230/460 | 57.4/28.7        | 1.15           | 284TS | TSD61010    | E+3(NP) | F            | ✓         | 25.5     | 91.7       | 11,362,364,\$    |
| 25 | 1765 | 230/460 | 60.0/30.0        | 1.15           | 284T  | TSD61035    | E+3(NP) | F            | ✓         | 26.9     | 93.6       | 11,362,364,\$    |
| 25 | 1175 | 230/460 | 69.7-60.4/30.2   | 1.15           | 324T  | TSD61060    | E+3(NP) | F            | ✓         | 29.7     | 93.0       | 11,362,364,\$    |
| 30 | 3525 | 230/460 | 70.3-68.2/34.1   | 1.15           | 286TS | TSD61011    | E+3(NP) | F            | ✓         | 27.0     | 91.7       | 11,362,364,\$    |
| 30 | 1765 | 230/460 | 72.0/36.0        | 1.15           | 286T  | TSD61036    | E+3(NP) | F            | ✓         | 28.4     | 93.6       | 11,362,364,\$    |
| 30 | 1175 | 230/460 | 81.7-72.0/36.0   | 1.15           | 326T  | TSD61061    | E+3(NP) | F            | ✓         | 31.3     | 93.0       | 11,362,364,\$    |
| 40 | 3530 | 230/460 | 94.6-93.4/46.7   | 1.15           | 324TS | TSD61012    | E+3(NP) | F            | ✓         | 28.2     | 92.4       | 11,362,364,\$    |
| 40 | 1770 | 230/460 | 104.8-94.8/47.4  | 1.15           | 324T  | TSD61037    | E+3(NP) | F            | ✓         | 29.7     | 94.1       | 11,362,364,\$    |
| 40 | 1180 | 230/460 | 96.0/48.0        | 1.15           | 364T  | TSD61062    | E+3(NP) | F            | ✓         | 32.7     | 94.1       | 19,362,364,\$    |
| 50 | 3550 | 230/460 | 120.3-114.0/57.0 | 1.15           | 326TS | TSD61013    | E+3(NP) | F            | ✓         | 29.8     | 93.0       | 11,362,364,\$    |
| 50 | 1770 | 230/460 | 118.0/59.0       | 1.15           | 326T  | TSD61038  | E+3(NP) | F            | ✓         | 31.3     | 94.5       | 11,19,362,364,\$ |
| 50 | 1180 | 230/460 | 120.0/60.0       | 1.15           | 365T  | TSD61063  | E+3(NP) | F            | ✓         | 33.7     | 94.1       | 19,362,364,\$    |

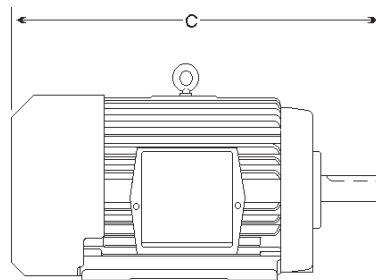
**Notes:**

- \$ Energy Efficient \$
- 11. C flange kit available
- 19. C & D flange kit available
- 362. 12 lead – Capability for Y Start-Delta Run
- 364. Open bearings with regreasing provisions

Continues on next page



Motors specially designed, tested and warranted to be **Corona-Free** for compatible inverter duty are marked on this page with a . See page 4 and 5 of this catalog for more Speed Engineered® motors information.



# Century® Multi-Speed • Three Phase Motors

## Dripproof - Rigid Base - Two Speed Variable Torque - 1/.25 thru 50/12.5 HP

### Features:

- Ball Bearings
- Service Factor 1.15
- 60 Hz
- 40°C Ambient



M312

### Applications:

For two-speed, one and two winding, variable torque applications for speed control from one speed to another while under load. Blowers, fans, conveyors, mixing machines, centrifugal pumps.

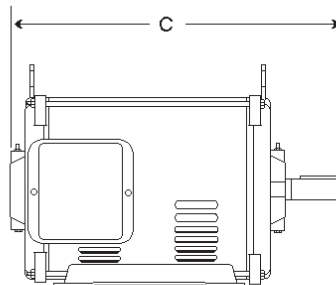
| HP  | RPM      | Oper. HP<br>High Spd.* | Oper. HP<br>Low Spd.* | Volts   | Full Load<br>Amps   | Frame | Stock<br>Number | Insul.<br>Class | Rotation | "C"<br>Dim. | High Spd.<br>Efficiency | Low Spd.<br>Efficiency | Notes    |
|---|----------|------------------------|-----------------------|---------|---------------------|-------|-----------------|-----------------|----------|-------------|-------------------------|------------------------|----------|
| <b>2-1-VT • Two Speed • One Winding • Variable Torque</b> |          |                        |                       |         |                     |       |                 |                 |          |             |                         |                        |          |
| 1~.25   | 1745/850 | 1                      | .12                   | 200-230 | 3.5-3.4/1.5-1.6     | 143T  | M126            | B               | RCC      | 12.1        | 76.0                    | 59.0                   | 1, 21    |
| 1~.25   | 1725/850 | 1                      | .12                   | 200-230 | 3.5-3.4/1.4-1.4     | 56    | M126V1          | B               | RCC      | 12.1        |                         |                        | 30, New! |
| 1~.25   | 1725/850 | 1                      | .12                   | 460     | 1.7/6.5             | 143T  | M116V1          | B               | RCC      | 12.1        |                         |                        | New!     |
| 1.5~.37   | 1745/845 | 1-1/2                  | .19                   | 200-230 | 5.0-5.0/2.0-2.0     | 145T  | M127V1          | B               | RCC      | 12.6        |                         |                        | New!     |
| 1.5~.37   | 1725/850 | 1-1/2                  | .19                   | 460     | 2.4                 | 145T  | M120V1          | B               | RCC      | 12.6        |                         |                        | New!     |
| 2~.5  | 1745/850 | 2                      | .25                   | 230     | 6.6/2.4             | 145T  | M128L           | F               | RCC      | 13.1        |                         |                        | 21, New! |
| 3~.75   | 1745/850 | 3                      | .375                  | 200-230 | 10.1-11.6/4.1-4.4   | 182T  | M222            | F               | CCW      | 13.7        | 82.0                    | 72.0                   |          |
| 3~.75   | 1760/875 | 3                      | .375                  | 460     | 6.6/2.4             | 182T  | M206            | F               | CCW      | 13.7        | 80.0                    | 66.0                   |          |
| 5~1.25  | 1760/870 | 5                      | .63                   | 200-230 | 16.0-17.7/6.2-6.2   | 184T  | M223            | F               | CCW      | 13.7        | 85.0                    | 77.0                   |          |
| 5~1.25  | 1750/870 | 5                      | .63                   | 460     | 9.1/3.2             | 184T  | M302            | F               | CCW      | 13.7        | 84.0                    | 73.0                   |          |
| 7.5~1.9   | 1740/870 | 7-1/2                  | .94                   | 200-230 | 23.0-22.5/9.3-8.2   | 213T  | M321            | F               | CCW      | 17.3        | 85.0                    | 72.0                   |          |
| 7.5~1.9   | 1740/870 | 7-1/2                  | .94                   | 460     | 11.8/4.2            | 213T  | M312            | F               | CCW      | 17.3        | 85.0                    | 72.0                   |          |
| 10~2.5  | 1745/870 | 10                     | 1.25                  | 200-230 | 27.7-32.4/11.2-11.6 | 215T  | M322            | F               | CCW      | 17.3        | 88.0                    | 77.0                   |          |
| 10~2.5  | 1750/870 | 10                     | 1.25                  | 460     | 15.0/5.3            | 215T  | M313            | F               | CCW      | 17.3        | 83.0                    | 71.0                   |          |
| 15~3.7  | 1760/880 | 15                     | 1.87                  | 200-230 | 42.5-40.0/16.5-17.0 | 256T  | M425            | F               | CCW      | 22.1        | 90.2                    | 84.0                   |          |
| 15~3.7  | 1750/875 | 15                     | 1.87                  | 460     | 19.3/7.8            | 256T  | M412            | F               | CCW      | 22.1        | 88.5                    | 81.5                   |          |
| 20~5  | 1755/875 | 20                     | 2.50                  | 200-230 | 56.0-51.0/21.5-21.5 | 284T  | M520            | F               | CCW      | 24.3        | 90.2                    | 82.5                   |          |
| 20~5  | 1745/870 | 20                     | 2.50                  | 460     | 25.2/10.0           | 256T  | M424            | F               | CCW      | 22.1        | 89.5                    | 82.5                   |          |
| 25~6.25   | 1740/865 | 25                     | 3.12                  | 460     | 31.0/12.0           | 286T  | M506            | F               | CCW      | 24.3        | 89.5                    | 84.0                   |          |
| 30~7.5  | 1740/870 | 30                     | 3.75                  | 460     | 35.5/13.5           | 286T  | M513            | F               | CCW      | 24.2        | 90.2                    | 85.5                   |          |

### Notes:

1. Item to be discontinued when stock is depleted
21. Terminal in bracket construction
30. 56, 140 frame combination base (12 mounting holes)

Continues on next page

\*The operating horsepower is based on the type load where the horsepower required varies as the cube of the speed. Examples of such loads are fan or blower systems and centrifugal pumps. Two-speed motor performance data sheets are available from your Century Customer Service Center.





**Dripproof - Rigid Base - Two Speed  
Variable Torque - 1/.44 thru 30/13.3 HP**

**Features:**

- Ball Bearings
- Service Factor 1.15
- 60 Hz
- Open Dripproof
- Rigid Base
- 40°C Ambient



M207

**Applications:**

For two-speed, one and two winding, variable torque applications for speed control from one speed to another while under load. Blowers, fans, conveyors, mixing machines, centrifugal pumps.

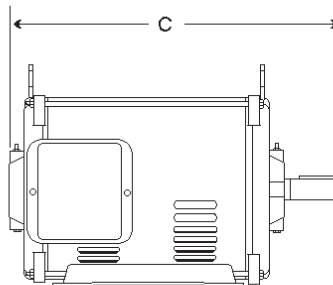
| HP  | RPM       | Oper. HP High Spd.* | Oper. HP Low Spd.* | Volts   | Full Load Amps      | Frame | Stock Number | Insul. Class | "C" Dim. | High Spd. Efficiency | Low Spd. Efficiency | Notes |
|---|-----------|---------------------|--------------------|---------|---------------------|-------|--------------|--------------|----------|----------------------|---------------------|-------|
| <b>2-1-VT • Two Speed • Two Winding • Variable Torque</b> |           |                     |                    |         |                     |       |              |              |          |                      |                     |       |
| 1~.44   | 1745/1140 | 1                   | .30                | 460     | 1.7/1.1             | 145T  | M109V1       | B            | 12.6     |                      |                     | New!  |
| 1.5~.68   | 1745/1140 | 1-1.2               | .44                | 200-230 | 4.8-4.6/2.8-2.7     | 145T  | M125V1       | B            | 13.1     |                      |                     | New!  |
| 1.5~.68   | 1745/1140 | 1-1/2               | .44                | 460     | 2.4/1.4             | 145T  | M104         | B            | 13.1     | 75.0                 | 71.0                | 21    |
| 1.5~.68   | 1725/1140 | 1-1/2               | .44                | 460     | 2.1/1.3             | 145T  | M104V1       | B            | 13.1     |                      |                     | New!  |
| 2~.88   | 1750/1170 | 2                   | .59                | 200-230 | 6.4-6.1/3.8-4.1     | 182T  | M220         | B            | 12.6     | 81.0                 | 72.0                |       |
| 2~.88   | 1760/1175 | 2                   | .59                | 460     | 3.0/2.0             | 182T  | M207         | B            | 12.6     | 80.0                 | 70.0                |       |
| 3~1.3   | 1740/1160 | 3                   | .89                | 200-230 | 9.0-8.4/4.8-4.8     | 184T  | M221         | F            | 12.6     | 81.0                 | 75.0                |       |
| 3~1.3   | 1760/1170 | 3                   | .89                | 460     | 4.6/2.6             | 184T  | M208         | B            | 12.6     | 82.5                 | 74.0                |       |
| 5~2.2   | 1750/1160 | 5                   | 1.48               | 200-230 | 16.0-15.5/9.7-10.2  | 215T  | M320         | B            | 15.6     | 86.0                 | 78.0                |       |
| 5~2.2   | 1750/1160 | 5                   | 1.48               | 460     | 7.1/4.8             | 215T  | M305         | B            | 15.6     | 78.0                 | 71.0                |       |
| 7.5~3.3   | 1760/1170 | 7.5                 | 2.22               | 200-230 | 22.0-19.5/12.3-12.3 | 215T  | M317         | F            | 18.3     | 89.0                 | 85.0                |       |
| 7.5~3.3   | 1770/1175 | 7.5                 | 2.22               | 460     | 10.0/6.0            | 215T  | M315         | F            | 16.6     | 87.0                 | 80.0                |       |
| 10~4.4  | 1775/1175 | 10                  | 2.96               | 200-230 | 27.0-24.0/14.5-13.0 | 256T  | M421         | F            | 22.1     | 88.0                 | 80.0                |       |
| 10~4.4  | 1775/1175 | 10                  | 2.96               | 460     | 12.0/6.3            | 256T  | M413         | F            | 22.1     | 87.0                 | 82.0                |       |
| 15~6.7  | 1775/1175 | 15                  | 4.40               | 200-230 | 40.0-36.0/20.0-19.0 | 284T  | M521         | F            | 24.3     | 86.0                 | 85.0                |       |
| 15~6.7  | 1775/1175 | 15                  | 4.40               | 460     | 18.0/9.5            | 256T  | M423         | F            | 22.1     | 86.0                 | 81.0                |       |
| 20~8.9  | 1770/1175 | 20                  | 5.93               | 200-230 | 54.0-48.0/28.0-26.0 | 286T  | M522         | F            | 24.3     | 89.0                 | 86.0                |       |
| 20~8.9  | 1770/1175 | 20                  | 5.93               | 460     | 24.0/13.0           | 286T  | M504         | F            | 24.2     | 90.0                 | 84.0                |       |
| 25~11.0   | 1770/1180 | 25                  | 7.40               | 460     | 29.0/17.5           | 286T  | M515         | F            | 24.3     | 91.0                 | 86.0                |       |
| 30~13.3   | 1770/1170 | 30                  | 8.90               | 460     | 36.0/18.5           | 286T  | M514         | F            | 24.3     | 91.0                 | 88.0                |       |

**Notes:**

21. Terminal in bracket construction

Continues on next page

\*The operating horsepower is based on the type load where the horsepower required varies as the cube of the speed. Examples of such loads are fan or blower systems and centrifugal pumps. Two-speed motor performance data sheets are available from your Century Customer Service Center.



# Century® Multi-Speed • Three Phase Motors

## Dripproof - Rigid Base - Two Speed

### Variable Torque - 2~.5 thru 25~6.5 HP

#### Features:

- Ball Bearings
- Open Dripproof
- Rigid Base
- 60 Hz
- 40°C Ambient
- Service Factor 1.15



M314

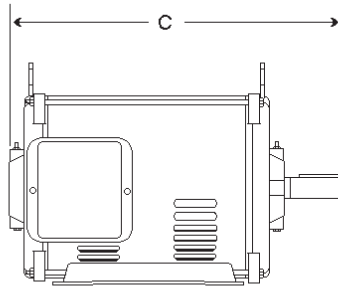
#### Applications:

For two-speed, one and two winding, variable torque applications for speed control from one speed to another while under load.

Blowers, fans, conveyors, mixing machines, centrifugal pumps.

| HP  | RPM      | Oper. HP<br>High Spd.* | Oper. HP<br>Low Spd.* | Volts | Full Load<br>Amps | Frame | Stock<br>Number | Insul.<br>Class | Rotation | "C"<br>Dim. | High Spd.<br>Efficiency | Low Spd.<br>Efficiency |
|---|----------|------------------------|-----------------------|-------|-------------------|-------|-----------------|-----------------|----------|-------------|-------------------------|------------------------|
| <b>2-2-VT - Two Speed - Two Winding - Variable Torque</b> |          |                        |                       |       |                   |       |                 |                 |          |             |                         |                        |
| 2~.5  | 1750/875 | 2                      | .25                   | 460   | 3.0/1.2           | 182T  | M210            | B               | REV      | 12.6        | 78.5                    | 62.0                   |
| 3~.75   | 1750/860 | 3                      | .37                   | 460   | 4.3/2.0           | 184T  | M211            | B               | REV      | 12.6        | 75.0                    | 61.0                   |
| 5~1.2   | 1760/880 | 5                      | .63                   | 460   | 7.1/3.3           | 215T  | M314            | B               | REV      | 15.6        | 83.0                    | 55.0                   |
| 7.5~1.9   | 1760/880 | 7 1/2                  | .94                   | 460   | 9.6/4.6           | 215T  | M316            | F               | REV      | 16.6        | 86.0                    | 70.0                   |
| 10~2.5  | 1770/880 | 10                     | 1.25                  | 460   | 12.5/5.5          | 256T  | M415            | F               | RCC      | 22.1        | 87.0                    | 74.0                   |
| 15~3.75   | 1760/875 | 15                     | 1.87                  | 460   | 18.0/7.5          | 256T  | M422            | F               | RCC      | 22.1        | 88.0                    | 75.0                   |
| 20~5  | 1755/875 | 20                     | 2.5                   | 460   | 24.5/10.0         | 286T  | M511            | F               | RCC      | 24.3        | 87.0                    | 77.0                   |
| 25~6.25   | 1755/875 | 25                     | 3.12                  | 460   | 30.0/12.0         | 286T  | M512            | F               | RCC      | 24.3        | 89.0                    | 84.0                   |

\*The operating horsepower is based on the type load where the horsepower required varies as the cube of the speed. Examples of such loads are fan or blower systems and centrifugal pumps. Two-speed motor performance data sheets are available from your Century Customer Service Center.



## Single Phase - Dripproof & Totally Enclosed Fan-Cooled Rigid Base - 3600 & 1800 RPM - 1.5 thru 6 HP



### Features:

- Double Sealed Ball Bearings    • 60 Hz    • 40°C Ambient    • Class B Insulation    • Reversible    • Service Factor 1.15
- Manual Overload Protector    • **Two Step Varnish Treatment** – Rotor surface and bearing brackets coated with corrosion resistant primer.  
One dip and bake of Class B Varnish is applied to wound stator. The entire stator assembly is dipped in a second coating of varnish and baked to seal out moisture    • Energy Efficient \$

B861

**Applications:** High Pressure washers (sprayers) and other applications.

| HP                                  | RPM  | Volts       | Full Load Amps | Service Factor | Frame | Stock Number | Base/Mounting | Enclosure | Shaft Dia. | Insul Class | "C" Dim. | Notes       |
|-------------------------------------|------|-------------|----------------|----------------|-------|--------------|---------------|-----------|------------|-------------|----------|-------------|
| <b>Dripproof • Standard Bracket</b> |      |             |                |                |       |              |               |           |            |             |          |             |
| 1 1/2                               | 3450 | 115/230     | 13.0/6.5       | 1.15           | 56    | <b>B176</b>  | Rigid Base    | ODP       | 5/8"       | B           | 11.4     | \$          |
| 1 1/2                               | 1725 | 115/208-230 | 13.4/7.2-6.7   | 1.15           | 56    | <b>C775</b>  | Rigid Base    | ODP       | 5/8"       | B           | 12.2     | 85,\$       |
| 2                                   | 3450 | 115/208-230 | 17.2/9.2-8.6   | 1.15           | 56    | <b>B177</b>  | Rigid Base    | ODP       | 5/8"       | B           | 12.7     | 85,\$       |
| 2                                   | 3450 | 115/208-230 | 17.2/9.2-8.6   | 1.15           | 56    | <b>B177L</b> | Rigid Base    | ODP       | 5/8"       | B           | 12.7     | <b>New!</b> |
| 2                                   | 1725 | 115/230     | 18.0/9.0       | 1.15           | 56H   | <b>C210</b>  | Rigid Base    | ODP       | 5/8"       | B           | 14.4     | 85,\$       |
| 3                                   | 3450 | 208-230     | 13.5-12.5      | 1.15           | 56H   | <b>B178</b>  | Rigid Base    | ODP       | 5/8"       | B           | 12.7     | 85,\$       |
| 3                                   | 1725 | 208-230     | 13.5           | 1.15           | 145T  | <b>C218</b>  | Rigid Base    | ODP       | 5/8"       | B           | 15.1     | 85,\$       |
| 5                                   | 3450 | 208-230     | 22.0           | 1.15           | 56HZ  | <b>B179</b>  | Rigid Base    | ODP       | 7/8"       | B           | 14.6     | 160,\$      |
| 5                                   | 3450 | 208-230     | 22.0           | 1.15           | 56Y   | <b>B180</b>  | Rigid Base    | ODP       | 7/8"       | B           | 14.6     | 97,160,\$   |
| 6                                   | 3450 | 230         | 24.0           | 1.00           | 56Y   | <b>B869</b>  | Rigid Base    | ODP       | 7/8"       | B           | 14.6     | 97,160,\$   |
| <b>Dripproof • NEMA "C" Bracket</b> |      |             |                |                |       |              |               |           |            |             |          |             |
| 1 1/2                               | 3450 | 115/230     | 13.0/6.5       | 1.15           | 56C   | <b>B870</b>  | Rigid Base    | ODP       | 5/8"       | B           | 11.5     | 85,\$       |
| 1 1/2                               | 1725 | 115/230     | 13.4/6.7       | 1.15           | 56C   | <b>C776</b>  | Rigid Base    | ODP       | 5/8"       | B           | 12.2     | 85,\$       |
| 2                                   | 3450 | 115/208-230 | 17.2/9.2-8.6   | 1.15           | 56C   | <b>B860</b>  | Rigid Base    | ODP       | 5/8"       | B           | 12.7     | 85,\$       |
| 2                                   | 1725 | 115/230     | 18.0/9.0       | 1.15           | 56HC  | <b>C215</b>  | Rigid Base    | ODP       | 5/8"       | B           | 14.4     | 85,\$       |
| 3                                   | 3450 | 208-230     | 13.5-12.5      | 1.15           | 56HCZ | <b>B867</b>  | Rigid Base    | ODP       | 3/4"       | B           | 12.5     | \$          |
| 5                                   | 3450 | 208-230     | 22.0           | 1.15           | 56HCZ | <b>B182</b>  | Rigid Base    | ODP       | 3/4"       | B           | 14.5     | 160,\$      |
| <b>TEFC • NEMA "C" Bracket</b>      |      |             |                |                |       |              |               |           |            |             |          |             |
| 1 1/2                               | 3450 | 115/230     | 13.0/6.5       | 1.15           | 56C   | <b>B871</b>  | Rigid Base    | TEFC      | 5/8"       | B           | 12.7     | 85,\$       |
| 1 1/2                               | 1725 | 115/230     | 15.0/7.5       | 1.20           | 56C   | <b>C777</b>  | Rigid Base    | TEFC      | 5/8"       | B           | 13.7     | 85,\$       |
| 2                                   | 3450 | 115/208-230 | 16.6/9.1-8.4   | 1.15           | 56HC  | <b>B861</b>  | Rigid Base    | TEFC      | 5/8"       | B           | 14.2     | 85,\$       |
| 2                                   | 1725 | 115/230     | 17.0/8.5       | 1.15           | 56HC  | <b>C213</b>  | Rigid Base    | TEFC      | 5/8"       | B           | 14.4     | 85,\$       |
| 3                                   | 3450 | 230         | 12.0           | 1.15           | 56HC  | <b>B382</b>  | Rigid Base    | TEFC      | 5/8"       | B           | 15.2     | 85,\$       |
| 3                                   | 3450 | 230         | 12.0           | 1.15           | 56HCZ | <b>B868</b>  | Rigid Base    | TEFC      | 3/4"       | B           | 15.0     | \$          |

### Notes:

- \$ Energy Efficient \$
- 85. Energy efficient \$ - capacitor start/run
- 97. 182T and 184T mounting holes, 4.5" shaft height
- 160. Non-reversible, Connected for CW facing end-opposite shaft

# Century® Air Compressor OEM Special Replacement Motors

## OEM Special Replacements – Dripproof – Rigid Base – Single Phase Capacitor Start/Capacitor Run



B385

### Features:

- Non-Reversible–Connected for CW Facing End Opposite Shaft • Energy Efficient \$ • 40°C Ambient • 60 HZ • Ball Bearings

| HP    | RPM  | Volts   | Full Load Amps | Service Factor | Frame | Stock Number | Enclosure | Insulation Class | Overload Protector | Rotation | “C” Dim | Notes |
|-------|------|---------|----------------|----------------|-------|--------------|-----------|------------------|--------------------|----------|---------|-------|
| 2 SPL | 3450 | 115/230 | 15.0/7.5       | 1.00           | 56    | B381         | ODP       | B                | Manual             | CW       | 11.3    | \$    |
| 3 SPL | 3450 | 115/230 | 15.0/7.5       | 1.00           | 56    | B383         | ODP       | B                | Manual             | CW       | 11.6    | \$    |
| 5 SPL | 3450 | 208-230 | 15.0           | 1.00           | 56    | B385         | ODP       | B                | Manual             | CW       | 12.6    | \$    |

## Air Compressor Motors

### Rigid Base – 3600 & 1800 RPM – 1/2 thru 6 HP Single Phase

### Features:

- Ball Bearings
- Rigid Base
- 60 Hz
- Continuous Duty
- Open Construction
- 40°C Ambient



CP1152L



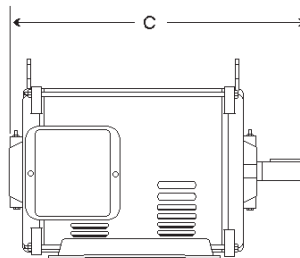
B813

**Applications:** Designed for air compressor loads. May be suitable for other applications having similar loads.

| HP    | RPM  | Volts   | Full Load Amps | Service Factor | Frame | Stock Number | Enclosure | Insulation Class | Overload Protector | Rotation | “C” Dim | Notes        |
|-------|------|---------|----------------|----------------|-------|--------------|-----------|------------------|--------------------|----------|---------|--------------|
| 1/2   | 3450 | 115/230 | 9.6/4.8        | 1.00           | 56    | B685         | ODP       | B                | Manual             | CWLE     | 11.0    |              |
| 3/4   | 3450 | 115/230 | 12.5/6.75      | 1.00           | 56    | CP1072L      | ODP       | B                | Manual             | REV      | 10.6    |              |
| 1     | 3450 | 115/230 | 12.0/6.0       | 1.00           | 56    | CP1102L      | ODP       | B                | Manual             | REV      | 11.4    |              |
| 1-1/2 | 3450 | 115/230 | 12.5/6.3       | 1.00           | 56    | CP1152L      | ODP       | B                | Manual             | RCW      | 11.9    | 85,\$        |
| 2     | 3450 | 115/230 | 24.0/12.0      | 1.00           | 56    | CP1202L      | Open      | B                | Manual             | RCW      | 12.7    |              |
| 3     | 3450 | 208/230 | 13.1/12.3      | 1.00           | 56    | CP1302L      | ODP       | B                | Manual             | RCC      | 12.7    | 85,\$        |
| 3     | 1750 | 115/230 | 34.0/17.0      | 1.15           | 184T  | V201         | ODP       | B                | None               | REV      | 14.7    |              |
| 5     | 3450 | 230     | 19.7           | 1.00           | 56HZ  | CP1502L      | ODP       | B                | Manual             | RCW      | 14.1    | 15,85,\$     |
| 5     | 3450 | 230     | 22             | 1.00           | 56HZ  | B813         | ODP       | B                | Manual             | CWLE     | 14.1    | 85,\$        |
| 5     | 3450 | 208-230 | 22.0           | 1.15           | 56HZ  | B386         | ODP       | B                | Manual             | CWLE     | 14.6    | 85,\$        |
| 5     | 3450 | 208-230 | 22.0           | 1.15           | 56Y   | B384         | ODP       | B                | Manual             | CWLE     | 14.6    | 85,97,320,\$ |
| 5     | 3510 | 230     | 25.6           | 1.15           | 184T  | V211         | ODP       | B                | None               | REV      | 14.7    |              |
| 5     | 1745 | 230     | 22             | 1.15           | 184T  | V208         | ODP       | F                | None               | REV      | 15.0    | 85,\$        |
| 6     | 3450 | 230     | 24.0           | 1.00           | 56Y   | B387         | ODP       | B                | Manual             | CWLE     | 14.6    | 85,97,298,\$ |
| SPL   | 3450 | 230     | 15.0           | 1.00           | 56H   | CP1502LV1    | ODP       | B                | Manual             | REV      | 12.8    | 85,180,\$    |

### Notes:

- \$ Energy Efficient \$
- 15. 56HZ = 7/8" x 2-1/4" Shaft
- 85. Energy efficient \$ - capacitor start/run
- 97. 182T and 184T mounting holes, 4.5" shaft height
- 180. Low AMP replacement for a variety of O.E.M. "Special" and "SPL 5" horsepower requirements
- 298. 2-1/4" x 7/8" keyed shaft
- 320. 56Y = 7/8" diameter keyed shaft, 2.25" long



## Totally Enclosed Fan Cooled – Rigid/Removable Base – Keyed Shaft 3600, 1800 & 1200 RPM – 1/4 Thru 3 HP



### Features:

- Double Sealed Ball Bearings
- UL and CSA certified
- 40°C Ambient

**Applications:** Designed for industrial and commercial pumps, conveyors, speed reducers and other equipment that mounts directly on a NEMA “C” face type motor. F-1 assembly vertical shaft up or down.

| HP    | RPM  | Volts       | Full Load Amps | Service Factor | Frame | Stock Number | Enclosure | Protector | Insulation Class | “C” Dim | Efficiency | Notes      |
|-------|------|-------------|----------------|----------------|-------|--------------|-----------|-----------|------------------|---------|------------|------------|
| 1/4   | 1140 | 115/208-230 | 5.0/2.4-2.5    | 1.15           | 56C   | <b>C823</b>  | TEFC      | None      | B                | 12.0    | 67.0       |            |
| 1/3   | 1725 | 115/208-230 | 6.4/3.2        | 1.15           | 56C   | <b>C824</b>  | TEFC      | None      | B                | 12.2    | 67.0       |            |
| 1/3   | 1140 | 115/208-230 | 6.0/3.0-3.0    | 1.15           | 56C   | <b>C825</b>  | TEFC      | None      | B                | 12.5    | 67.0       |            |
| 1/2   | 3450 | 115/208-230 | 7.4/3.5-3.7    | 1.15           | 56C   | <b>B888</b>  | TEFC      | None      | B                | 11.3    |            |            |
| 1/2   | 1725 | 115/208-230 | 7.2/3.5-3.6    | 1.15           | 56C   | <b>C826</b>  | TEFC      | None      | B                | 12.2    | 67.0       |            |
| 1/2   | 1140 | 115/208-230 | 8.4/4.0-4.2    | 1.15           | 56C   | <b>C827</b>  | TEFC      | None      | B                | 13.0    | 67.0       |            |
| 3/4   | 3450 | 208-230/115 | 5.0-4.6/9.2    | 1.15           | 56C   | <b>B889</b>  | TEFC      | None      | B                | 12.2    |            |            |
| 3/4   | 1725 | 208-230/115 | 5.4-5.2/10.4   | 1.15           | 56C   | <b>C828</b>  | TEFC      | None      | B                | 12.5    | 67.0       |            |
| 3/4   | 1140 | 208-230/115 | 4.6-4.4/8.8    | 1.15           | 56C   | <b>C829</b>  | TEFC      | None      | B                | 13.5    | 85.0       | 5,\$       |
| 1     | 3450 | 208-230/115 | 6.1-6.0/12.0   | 1.15           | 56C   | <b>B890</b>  | TEFC      | None      | B                | 12.2    |            |            |
| 1     | 1725 | 208-230/115 | 7.2-7.5/15.0   | 1.15           | 56HC  | <b>C830</b>  | TEFC      | None      | B                | 13.2    | 67.0       | 30         |
| 1 1/2 | 3450 | 208-230/115 | 8.3-8.0/16.0   | 1.15           | 56C   | <b>B891</b>  | TEFC      | None      | B                | 12.7    |            |            |
| 1 1/2 | 1725 | 208-230/115 | 7.8-7.5/15.0   | 1.15           | 56HC  | <b>C831</b>  | TEFC      | None      | B                | 13.7    | 85.0       | 5,30,\$    |
| 2     | 3450 | 208-230/115 | 9.1-8.2/16.4   | 1.15           | 56HC  | <b>B892</b>  | TEFC      | None      | B                | 15.0    |            | 5,30,\$    |
| 2     | 1725 | 208-230/115 | 9.6-8.9/17.8   | 1.15           | 56HC  | <b>C832</b>  | TEFC      | None      | F                | 14.2    | 85.0       | 5,30,87,\$ |

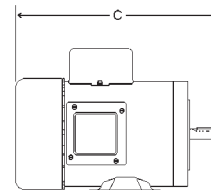


**Three Phase – 50/60 HZ – F1 assembly optional drip cover and brakes kits available. (50 HZ @ next lower HP @ 190/380 V).**

| HP    | RPM  | Volts       | Full Load Amps | Service Factor | Frame | Stock Number  | Enclosure | Protector | Insulation Class | “C” Dim | Efficiency | Notes       |
|-------|------|-------------|----------------|----------------|-------|---------------|-----------|-----------|------------------|---------|------------|-------------|
| 1/4   | 1140 | 208-230/460 | 1.3-1.2/1.6    | 1.15           | 56C   | <b>H1000</b>  | TEFC      | None      | B                | 11.3    |            |             |
| 1/3   | 3450 | 208-230/460 | 1.3/1.4/1.7    | 1.15           | 56C   | <b>H1001</b>  | TEFC      | None      | B                | 11.3    |            | 72          |
| 1/3   | 1725 | 208-230/460 | 1.3-1.2/1.6    | 1.15           | 56C   | <b>H1002L</b> | TEFC      | None      | B                | 11.7    |            | <b>New!</b> |
| 1/3   | 1140 | 208-230/460 | 1.8-1.6/1.8    | 1.15           | 56C   | <b>H1003</b>  | TEFC      | None      | B                | 11.3    | 78.0       |             |
| 1/2   | 3450 | 208-230/460 | 1.5-1.4/1.7    | 1.15           | 56C   | <b>H1004</b>  | TEFC      | None      | B                | 11.3    |            |             |
| 1/2   | 1725 | 208-230/460 | 1.6-1.8/1.9    | 1.15           | 56C   | <b>H1005</b>  | TEFC      | None      | B                | 11.7    | 78.0       |             |
| 1/2   | 1140 | 208-230/460 | 2.1-2.0/1.0    | 1.15           | 56C   | <b>H1006</b>  | TEFC      | None      | B                | 12.2    | 78.0       |             |
| 3/4   | 3450 | 208-230/460 | 2.6-2.4/1.2    | 1.15           | 56C   | <b>H1007</b>  | TEFC      | None      | B                | 11.3    |            |             |
| 3/4   | 1725 | 208-230/460 | 2.4-2.4/1.2    | 1.15           | 56C   | <b>H1008L</b> | TEFC      | None      | B                | 11.3    |            | <b>New!</b> |
| 3/4   | 1140 | 208-230/460 | 3.2/1.6        | 1.15           | 56C   | <b>H1009</b>  | TEFC      | None      | B                | 12.2    | 78.0       |             |
| 1     | 3450 | 208-230/460 | 3.1-3.2/1.6    | 1.15           | 56C   | <b>H1010</b>  | TEFC      | None      | B                | 11.3    |            |             |
| 1     | 1725 | 208-230/460 | 3.3-3.4/1.7    | 1.15           | 56HC  | <b>H1011L</b> | TEFC      | None      | B                | 13.0    |            | <b>New!</b> |
| 1     | 1140 | 208-230/460 | 4.2-3.8/1.9    | 1.15           | 56C   | <b>H1012</b>  | TEFC      | None      | B                | 12.5    | 78.0       |             |
| 1 1/2 | 3450 | 208-230/460 | 4.5-4.2/2.1    | 1.15           | 56C   | <b>H1013</b>  | TEFC      | None      | B                | 11.7    |            |             |
| 1 1/2 | 1725 | 208-230/460 | 4.5-4.4/2.2    | 1.15           | 56HC  | <b>H1014L</b> | TEFC      | None      | B                | 13.0    |            | <b>New!</b> |
| 2     | 3450 | 208-230/460 | 6.0-5.6/2.8    | 1.15           | 56HC  | <b>H1015</b>  | TEFC      | None      | B                | 13.0    |            | 30          |
| 2     | 1725 | 208-230/460 | 5.9-5.6/2.8    | 1.15           | 56HC  | <b>H1016L</b> | TEFC      | None      | B                | 13.2    |            | <b>New!</b> |
| 3     | 3450 | 208-230/460 | 9.6-9.8/4.9    | 1.15           | 56HC  | <b>H1017</b>  | TEFC      | None      | B                | 15.0    |            | 30          |

**Notes:**

- \$ Energy Efficient \$
- 5. \$ Energy efficient two value capacitor start capacitor run motor
- 30. 56, 140 Frame combination base (12 mounting holes)
- 72. No brake kit available
- 87. Class F insulation



# Century® Farm Building Direct Drive Fan Motors

## Features:

- Auto Protector
- Class B Insulation
- Direct Drive
- Double Sealed Ball Bearings
- Extended 10-32 Thru-bolts 3/4" Past Nut
- Fully Gasketed
- Service Factor 1.0
- Single Phase
- 60 Hz
- 40°C Ambient

## Applications:

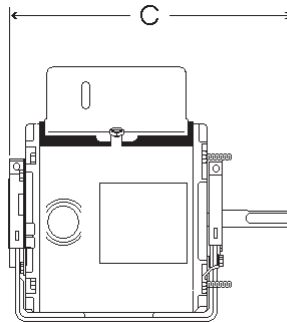
Designed for farm air movement applications.



| HP                                    | RPM      | Speeds | Volts   | Full Load Amps | Frame | Stock Number | Base/ Mounting | Enclosure | Shaft Dia. & Length | Rotation | "C" Dim. | Notes      |
|---------------------------------------|----------|--------|---------|----------------|-------|--------------|----------------|-----------|---------------------|----------|----------|------------|
| <b>RESILIENT BASE</b>                 |          |        |         |                |       |              |                |           |                     |          |          |            |
| 1/4                                   | 1700     | 1      | 115/230 | 3.4/1.7        | 48Z   | <b>C042A</b> | Resilient Base | TEAO      | 1/2" x 3-1/8"       | REV      | 10.1     | 70,132,133 |
| 1/4                                   | 1100     | 1      | 115/230 | 4.0/2.0        | 48Z   | <b>C045A</b> | Resilient Base | TEAO      | 1/2" x 3-1/4"       | REV      | 9.3      | 70,132,133 |
| 1/4                                   | 1100     | 2      | 115     | 3.41           | 48Z   | <b>C059A</b> | Resilient Base | TEAO      | 1/2" x 3"           | REV      | 10.1     | 70         |
| 1/3                                   | 1725     | 1      | 115/230 | 3.6/1.8        | 48Z   | <b>C043A</b> | Base           | TEAO      | 1/2" x 3-1/8"       | REV      | 10.1     | 70,132,133 |
| 1/3                                   | 1100     | 1      | 115/230 | 4.5/2.3        | 48Z   | <b>C046A</b> | Resilient Base | TEAO      | 1/2" x 3-1/4"       | REV      | 10.0     | 70,132,133 |
| 1/2                                   | 1700     | 1      | 115/230 | 5.5/2.8        | 48Z   | <b>C044A</b> | Resilient Base | TEAO      | 1/2" x 3"           | REV      | 11.0     | 70,132,133 |
| 1/2                                   | 1100     | 1      | 115/230 | 6.5/3.25       | 48Z   | <b>C047A</b> | Resilient Base | TEAO      | 1/2" x 3-1/8"       | REV      | 11.1     | 70,132,133 |
| 1/2                                   | 825      | 1      | 115/230 | 7.1/3.6        | 48Z   | <b>C039A</b> | Resilient Base | TEAO      | 1/2" x 2-1/2"       | REV      | 11.0     | 70,132,133 |
| 1/2                                   | 850      | 1      | 115/230 | 6.6/3.3        | 56Z   | <b>C048</b>  | Cushion Base   | TEAO      | 5/8" x 2-1/2"       | RCC      | 12.1     | 70,134     |
| <b>THRU BOLT MOUNT (10-32 UNF-2A)</b> |          |        |         |                |       |              |                |           |                     |          |          |            |
| 1/3                                   | 1725     | 1      | 115     | 4.8            | 56Z   | <b>F683</b>  | Round Frame    | TEAO      | 1/2" x 2"           | RCC      | 11.1     | 62         |
| 1/3~.07                               | 1725/850 | 2-2-VT | 115     | 5.5/3.1        | 56Y   | <b>F684</b>  | Round Frame    | TEAO      | 1/2" x 2"           | RCC      | 11.1     | 62         |
| <b>RIGID BASE</b>                     |          |        |         |                |       |              |                |           |                     |          |          |            |
| 1                                     | 850/725  | 1      | 230     | 5.1            | 56CZ  | <b>C783</b>  | Round Frame    | TEAO      | 5/8" x 3-1/4"       | CCWLE    | 14.2     | 6,44,70    |

## Notes:

- 6. 60/50 Hz
- 44. CCWLE rotation only
- 62. Split Phase
- 70. Permanent Split Capacitor
- 132. Shaft sleeve and key supplied for 5/8 diameter
- 133. Shaft N-W = 2.50 with two flats .04 deep, 2.16 long, 90 degrees apart
- 134. Shaft N-W = 2.50 with 5/8 diameter and keyway





# Century® Cow Cooler Farm Motors

## Features:

- Ball Bearings
- Capacitor Start Capacitor Run
- Class B Insulation
- Low Starting Torque
- Single Phase
- 40°C Ambient
- 60 Hz
- Energy Efficient \$



C594

**Applications:** Environments requiring air movement.

| HP                  | RPM       | Volts   | Full Load Amps | Service Factor | Frame | Stock Number | Base/ Mounting | Enclosure | Overload Protector | Rotation | "C" Dim. | Notes  |
|---------------------|-----------|---------|----------------|----------------|-------|--------------|----------------|-----------|--------------------|----------|----------|--------|
| <b>SINGLE SPEED</b> |           |         |                |                |       |              |                |           |                    |          |          |        |
| 1                   | 1725      | 115/230 | 9.6/4.8        | 1.00           | 56H   | C593         | Rigid Base     | TEAO      | Manual             | RCW      | 12.7     | \$     |
| 1 1/2               | 1725      | 115/230 | 17.0/8.5       | 1.00           | 56H   | C594         | Rigid Base     | TEAO      | Manual             | RCW      | 12.7     | \$     |
| <b>TWO SPEED</b>    |           |         |                |                |       |              |                |           |                    |          |          |        |
| 1.0~.29             | 1725/1140 | 115     | 11.4/6.4       | 1.00           | 56H   | C596         | Rigid Base     | TEAO      | Manual             | RCC      | 12.7     | 181,\$ |
| 1.0~.29             | 1725/1140 | 230     | 5.3/3.0        | 1.00           | 56H   | C597         | Rigid Base     | TEAO      | Manual             | RCC      | 12.2     | 181,\$ |
| 1.5~.44             | 1725/1140 | 115     | 15.6/9.1       | 1.00           | 56H   | C595         | Rigid Base     | TEAO      | Manual             | RCC      | 13.9     | 181,\$ |
| 1.5~.44             | 1725/1140 | 230     | 7.4/4.4        | 1.00           | 56H   | C598         | Rigid Base     | TEAO      | Manual             | RCC      | 13.2     | 181,\$ |

## Notes:

- \$ Energy Efficient \$
- 181. Loose lead construction

# Century® Farm Building Belted Fan Motors

## Features:

- Automatic Reset Overload Protector
- Class B Insulation
- Double Sealed Ball Bearings
- Single Phase
- Energy Efficient \$
- Extended Thru-Bolts 3/4" Past Nut
- 60 Hz
- 40°C Ambient



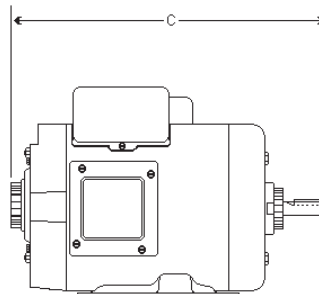
C580

**Applications:** Designed for dirty environments such as poultry houses, barns, etc. fan & belted fan only.

| HP                                   | RPM       | Volts   | Full Load Amps   | Service Factor | Frame | Stock Number | Base/ Mounting | Enclosure | Overload Protector | Rotation | "C" Dim. | Notes     |
|--------------------------------------|-----------|---------|------------------|----------------|-------|--------------|----------------|-----------|--------------------|----------|----------|-----------|
| <b>SPLIT PHASE</b>                   |           |         |                  |                |       |              |                |           |                    |          |          |           |
| 1/3                                  | 1725      | 230/115 | 2.2/4.4          | 1.00           | 48Z   | F500L        | Resilient Base | TENV      | Auto               | REV      | 11.2     | 141       |
| 1/3                                  | 1725      | 230/115 | 3.5/7.0          | 1.00           | 48Z   | F501         | Cushion Base   | TEAO      | Auto               | RCC      | 11.1     | 141       |
| 1/2                                  | 1725      | 230/115 | 3.5/7.0          | 1.00           | 56    | F502         | Cushion Base   | TEAO      | Auto               | RCC      | 11.1     |           |
| <b>CAPACITOR START CAPACITOR RUN</b> |           |         |                  |                |       |              |                |           |                    |          |          |           |
| 1/2                                  | 1725      | 115/230 | 6.4/3.2          | 1.00           | 56    | C588         | Cushion Base   | TEAO      | Auto               | RCW      | 11.4     | \$        |
| 1/2                                  | 1725      | 230/115 | 3.2/6.4          | 1.00           | 56    | C580         | Rigid Base     | TEAO      | Auto               | RCC      | 11.4     | \$        |
| 3/4                                  | 1725      | 230/115 | 3.6/7.2          | 1.00           | 56    | C581         | Rigid Base     | TEAO      | Auto               | RCC      | 11.9     | \$        |
| 1                                    | 1725      | 230/115 | 4.8/9.6          | 1.00           | 56    | C582         | Rigid Base     | TEAO      | Auto               | RCC      | 12.4     | \$        |
| 1                                    | 1725/1425 | 230/115 | 4.3/8.6/5.2/10.4 | 1.40           | 56    | C782         | Rigid Base     | TEAO      | Auto               | RCW      | 12.1     | 1,6,\$    |
| 1                                    | 1725/1425 | 230/115 | 4.3/8.6/5.2/10.4 | 1.40           | 56    | C782RB       | Removable Base | TEAO      | Auto               | RCW      | 12.2     | 6,\$ New! |

## Notes:

- \$ Energy Efficient \$
- 1. Item to be discontinued when stock is depleted
- 6. 60/50 Hz
- 141. Shaft diameter is 1/2, N=1.94 with .04 deep flat



# Poultry Duty Motors

## Features:

- Ball Bearings
- Class B Insulation
- High Starting Torque
- Reversible
- Suitable for 208 Volts at 1.0 S.F.
- 40°C Ambient
- 60/50 Hz
- Energy Efficient \$



PD1050AV1



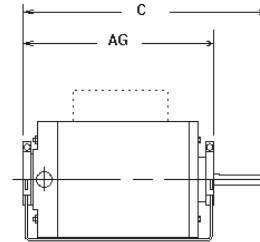
PD6104AV2

| HP  | RPM       | Volts       | Full Load Amps | Service Factor | Frame | Stock Number | Base/Mounting  | Enclosure | Protector | Approx. "C" | Dim. "AG" | Notes   |
|-----|-----------|-------------|----------------|----------------|-------|--------------|----------------|-----------|-----------|-------------|-----------|---------|
| 1/2 | 1725/1425 | 115/208-230 | 4.8/2.4        | 1.30           | 56    | PD1050AV1    | Resilient Base | TEAO      | Auto      | 10.8        | 8.8       | 6,\$    |
| 1   | 1725/1425 | 115/230     | 9.0/4.5        | 1.30           | 56    | PD6104AV2    | Resilient Base | TEAO      | Auto      | 12.7        | 10.7      | 6,85,\$ |
| 1   | 1725/1425 | 115/230     | 9.0/4.5        | 1.30           | 56    | PD6104AV3    | Rigid Base     | TEAO      | Auto      | 12.8        | 11.2      | 6,85,\$ |

## Notes:

\$ Energy Efficient \$  
 6. 60/50 HZ  
 85. Energy efficient \$ - capacitor start/capacitor run  
 See page 247 for mounting dimensions

**Shaft Dimensions**  
 56 = 5/8" Keyed x 1-7/8



# Century® Instant Reverse Farm Motors

## Instant Reverse Motors - Single Phase - Capacitor Start Solid State Switching - Totally Enclosed Fan-Cooled - Rigid Base 1800 RPM - 1/2 thru 1 HP

## Features:

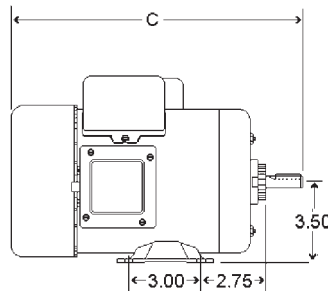
- Ball Bearings
- 40°C Ambient
- 60 Hz
- Dual Voltage
- Low Temperature Grease
- Manual Reset Overload Protector



C337

**Applications:** Reversing feeders, door openers, gates, machine tools.

| HP   | RPM  | Volts   | Full Load Amps | Service Factor | Frame | Stock Number | Base/Mounting | Enclosure | Insul. Class | Overload Protector | Rotation | "C" Dim. |
|--|------|---------|----------------|----------------|-------|--------------|---------------|-----------|--------------|--------------------|----------|----------|
| <b>PT Stearns SINPAC® Solid State Instant Reverse Switch</b> |      |         |                |                |       |              |               |           |              |                    |          |          |
| 1/2  | 1725 | 115/230 | 7.2/3.6        | 1.00           | 56    | C337         | Rigid Base    | TEFC      | B            | Manual             | RCC      | 12.6     |
| 3/4  | 1725 | 115/230 | 10.4/5.2       | 1.00           | 56    | C338         | Rigid Base    | TEFC      | B            | Manual             | RCC      | 13.4     |
| 1  | 1725 | 115/230 | 13.0/6.5       | 1.00           | 56    | C339         | Rigid Base    | TEFC      | B            | Manual             | RCC      | 13.4     |



## Single Phase – Capacitor Start – Totally-Enclosed Fan-Cooled Rigid Base and Rigid Base with C-Face – 1800 RPM – 1/3 thru 2 HP

### Features:

- High Starting Torque
- 40°C Ambient
- Ball Bearings
- Rigid Base
- 60 Hz
- Bearings Lubricated with Low Temperature Grease



**Applications:** Fans and blowers, feed lot conveyors, liquid manure spreaders, unloaders, compressors, storage bin conveyors.

| HP    | RPM  | Volts   | Full Load Amps | Service Factor | Frame | Stock Number | Enclosure | Insul. Class | Overload Protector | Rotation | “C” Dim. | Notes |
|-------|------|---------|----------------|----------------|-------|--------------|-----------|--------------|--------------------|----------|----------|-------|
| 1/3   | 1725 | 115/230 | 5.2/2.6        | 1.25           | 56    | C310         | TENV      | B            | Manual             | RCC      | 11.1     |       |
| 1/3   | 1725 | 115/230 | 5.2/2.6        | 1.25           | 56    | C310C        | TENV      | B            | Manual             | RCC      | 11.1     |       |
| 1/2   | 1725 | 115/230 | 7.2/3.6        | 1.25           | 56    | C311         | TEFC      | B            | Manual             | RCC      | 12.2     |       |
| 1/2   | 1725 | 115/230 | 7.2/3.6        | 1.25           | 56    | C311C        | TEFC      | B            | Manual             | RCC      | 12.2     |       |
| 3/4   | 1725 | 230/115 | 5.2/10.4       | 1.15           | 56    | C312         | TEFC      | B            | Manual             | RCC      | 12.6     |       |
| 3/4   | 1725 | 230/115 | 5.2/10.4       | 1.15           | 56    | C312C        | TEFC      | B            | Manual             | RCC      | 12.6     |       |
| 1     | 1725 | 230/115 | 6.0/12.0       | 1.15           | 56    | C313         | TEFC      | B            | Manual             | RCC      | 13.4     |       |
| 1     | 1725 | 230/115 | 6.0/12.0       | 1.15           | 56    | C313C        | TEFC      | B            | Manual             | RCC      | 13.4     |       |
| 1 1/2 | 1725 | 230/115 | 7.5/15.0       | 1.15           | 56    | C314         | TEFC      | B            | Manual             | RCC      | 13.9     | 5,\$  |
| 1 1/2 | 1725 | 230/115 | 7.5/15.0       | 1.15           | 56    | C314C        | TEFC      | B            | Manual             | RCC      | 13.9     | 5,\$  |
| 2     | 1725 | 230     | 9.0            | 1.15           | 56HZ  | C319         | TEFC      | B            | Manual             | RCC      | 15.0     | 5,\$  |

### Notes:

\$ Energy Efficient \$

5. \$ Energy Efficient two value capacitor start capacitor run motor

## Century® High Torque Farm Equipment Motors

### Single Phase – Capacitor Start & Two Value Capacitor Designs Rigid Base – 1800 & 1200 RPM – 1 1/2 thru 10 HP

### Features:

- Ball Bearings
- 40°C Ambient
- Rigid Base
- Reversible
- 60 Hz
- Energy Efficient \$



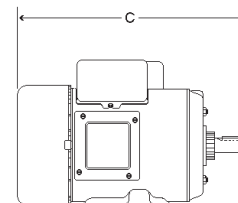
**Applications:** Vacuum pumps, compressors, conveyors and feeders.

| HP  | RPM  | Volts   | Full Load Amps | Service Factor | Frame | Stock Number | Enclosure | Insulation Class | Overload Protector | “C” Dim. | Efficiency | Notes    |
|---|------|---------|----------------|----------------|-------|--------------|-----------|------------------|--------------------|----------|------------|----------|
| <b>Totally-Enclosed Fan-Cooled</b>  |      |         |                |                |       |              |           |                  |                    |          |            |          |
| 1 1/2   | 1745 | 230/115 | 7.5/15.0       | 1.15           | 145T  | K104         | TEFC      | B                | Manual             | 15.0     |            | 5,\$     |
| 2   | 1750 | 115/230 | 24.0/12.0      | 1.00           | 182T  | K213         | TEFC      | F                | Manual             | 15.7     | 72.5       |          |
| 2   | 1725 | 230/115 | 8.7/17.4       | 1.00           | 182TZ | K119         | TEFC      | B                | Manual             | 15.5     | 80.7       | 5,\$     |
| 3   | 1750 | 230     | 16.0           | 1.00           | 184T  | K214         | TEFC      | F                | Manual             | 15.7     | 78.5       |          |
| 5   | 1750 | 230     | 20.0           | 1.00           | 184T  | K215         | TEFC      | F                | Manual             | 19.0     | 84.0       | 5,\$     |
| 5   | 1750 | 230     | 23.0           | 1.00           | 213T  | K310         | TEFC      | B                | Manual             | 17.6     | 81.0       | 5,\$     |
| 7 1/2   | 1745 | 230     | 34.0           | 1.00           | 215T  | K311         | TEFC      | B                | Manual             | 19.1     | 84.0       | 5,\$     |
| 10  | 1750 | 230     | 38.0           | 1.00           | 215T  | K312         | TEFC      | F                | Manual             | 19.1     | 87.5       | 5,\$     |
| <b>Surge Replacement Applications:</b> Designed for replacement on “Surge” pumps. |      |         |                |                |       |              |           |                  |                    |          |            |          |
| 5 1/2   | 1135 | 230     | 28.2           | 1.00           | 215T  | V308         | ODP       | F                | Manual             | 17.8     | 79.9       | 5,214,\$ |

### Notes:

\$ Energy Efficient \$

5. \$ Energy Efficient two value capacitor start, capacitor run motor  
214. F2 Assembly



# Century® Farm-Rated Motors

## Extra High Torque Motors – Single & Three Phase – Totally-Enclosed Fan-Cooled Rigid Base and Rigid Base with C-Face – 1800 RPM – 1 thru 10 HP

### Features:

- High Starting Torque
- 40°C Ambient
- 60 Hz
- Rigid Base
- Ball Bearings
- Reversible
- All Parts Corrosion Resistant
- Removable Condensate Drain Plugs
- Service Factor 1.0



**Applications:** Designed for high starting torque loads (300-400% of full load torque). Barn cleaners, silo unloaders, stock feeding conveyors, other heavy duty farm applications.

| HP                                    | RPM  | Volts   | Full Load Amps | Frame  | Stock Number  | Enclosure | Shaft Dia. & Length | Insulation Class | Overload Protector | "C" Dim. | Efficiency | Notes                 |
|---------------------------------------|------|---------|----------------|--------|---------------|-----------|---------------------|------------------|--------------------|----------|------------|-----------------------|
| <b>Single Phase • Capacitor Start</b> |      |         |                |        |               |           |                     |                  |                    |          |            |                       |
| 1                                     | 1745 | 115/230 | 14.6/7.3       | 143T   | <b>K102</b>   | TEFC      | 7/8" x 2-1/4"       | B                | Manual             | 14.2     |            |                       |
| 1                                     | 1745 | 115/230 | 14.6/7.3       | 143TC  | <b>K102C</b>  | TEFC      | 7/8" x 2"           | B                | Manual             | 14.4     |            |                       |
| 1 1/2                                 | 1745 | 115/230 | 16.2/8.1       | 145T   | <b>K103</b>   | TEFC      | 7/8" x 2-1/4"       | B                | Manual             | 14.2     |            | 5,\$                  |
| 1 1/2                                 | 1745 | 115/230 | 16.2/8.1       | 145TC  | <b>K103C</b>  | TEFC      | 7/8" x 2"           | B                | Manual             | 14.4     |            | 5,\$                  |
| 2                                     | 1730 | 115/230 | 24.0/12.0      | 182TZ  | <b>K204</b>   | TEFC      | 7/8" x 2-3/4"       | F                | Manual             | 15.7     | 71.0       | 183                   |
| 3                                     | 1740 | 230     | 13.7           | 184T   | <b>K205</b>   | TEFC      | 1-1/8" x 2-3/4"     | F                | Manual             | 16.2     | 83.0       | 5,183,\$              |
| 3                                     | 1740 | 230     | 13.7           | 184TC  | <b>K205C</b>  | TEFC      | 1-1/8" x 2-5/8"     | F                | Manual             | 16.9     | 83.0       | 5,183,\$              |
| 5                                     | 1740 | 230     | 22.0           | 184T   | <b>K208</b>   | TEFC      | 1-1/8" x 2-3/4"     | F                | Manual             | 17.4     | 79.0       | 5,183,\$              |
| 5                                     | 1740 | 230     | 22.0           | 184TC  | <b>K208C</b>  | TEFC      | 1-1/8" x 2-5/8"     | F                | Manual             | 16.9     | 79.0       | 5,183,\$              |
| 5                                     | 1725 | 230     | 26.0           | 215TZ  | <b>K300</b>   | TEFC      | 1-1/8" x 3-1/2"     | B                | Manual             | 19.2     | 78.6       | 183                   |
| 7 1/2                                 | 1740 | 230     | 38.0           | 215TZ  | <b>K301</b>   | TEFC      | 1-1/8" x 3-1/2"     | B                | Manual             | 19.1     | 82.0       | 5,183,\$              |
| 7 1/2                                 | 1740 | 230     | 38.0           | 215TCZ | <b>K301C</b>  | TEFC      | 1-1/8" x 3-1/8"     | B                | Manual             | 19.9     | 82.0       | 5,183,\$              |
| 10                                    | 1730 | 230     | 39.0           | 215T   | <b>K302</b>   | TEFC      | 1-3/8" x 3-1/2"     | F                | Manual             | 19.1     | 86.5       | 1,5,183,\$            |
| 10                                    | 1730 | 230     | 39.0           | 215T   | <b>K302V1</b> | TEFC      | 1-3/8" x 3-1/2"     | F                | Manual             | 19.1     | 86.5       | 5,183,\$, <b>New!</b> |
| 10                                    | 1730 | 230     | 39.0           | 215TC  | <b>K302C</b>  | TEFC      | 1-3/8" x 3-1/8"     | F                | Manual             | 19.9     | 86.5       | 5,183,\$              |
| <b>Three Phase</b>                    |      |         |                |        |               |           |                     |                  |                    |          |            |                       |
| 3                                     | 1760 | 230/460 | 10.0/5.0       | 182T   | <b>N218</b>   | TEFC      | 1-1/8" x 2-3/4"     | B                | Manual             | 15.8     | 81.0       | 1,183                 |
| 5                                     | 1750 | 230/460 | 15.0/7.5       | 184T   | <b>N220</b>   | TEFC      | 1-1/8" x 2-3/4"     | F                | Manual             | 16.8     | 86.0       | 1,183                 |
| 7 1/2                                 | 1750 | 230/460 | 24.0/12.0      | 213TZ  | <b>N320</b>   | TEFC      | 1-1/8" x 3-3/8"     | B                | None               | 17.6     | 85.5       | 1,183                 |

### Notes:

\$ Energy Efficient \$

1. Item to be discontinued when stock is depleted

5. \$ Energy Efficient two value capacitor start capacitor run motor

183. Lifting Provisions

## Single & Three Phase – Dripproof Rigid Base – 1800 RPM – 5 thru 30 HP

### Features:

- Ball Bearings
- Service Factor 1.15
- 60 Hz
- 40°C Ambient



E219

**Applications:** Centrifugal fans and blowers, barn coolers, poultry house coolers, livestock and poultry house temperature control.

| HP  | RPM  | Volts   | Full Load Amps | Frame | Stock Number | Type    | Shaft Dia. & Length | Insulation Class | Rotation | "C" Dim. | Efficiency | Notes   |
|---|------|---------|----------------|-------|--------------|---------|---------------------|------------------|----------|----------|------------|---------|
| <b>Single Phase Capacitor Start Capacitor Run</b> |      |         |                |       |              |         |                     |                  |          |          |            |         |
| 5   | 1745 | 230     | 22.0           | 184T  | V209         |         | 1-1/8" x 2-7/8"     | F                | REV      | 15.0     | 82.0       | 5,\$    |
| 7 1/2   | 1750 | 230/460 | 32.0/16.0      | 215T  | V305         |         | 1-3/8" x 3-1/2"     | B                | REV      | 17.3     | 86.0       | 5,80,\$ |
| 10  | 1750 | 230/460 | 38.0/19.0      | 215T  | V303         |         | 1-3/8" x 3-1/2"     | F                | REV      | 17.9     | 86.5       | 5,80,\$ |
| <b>Three Phase</b>                                |      |         |                |       |              |         |                     |                  |          |          |            |         |
| 5   | 1760 | 230/460 | 13.6/6.8       | 184T  | E219 ⚡       | E+3(NP) | 1-1/8" x 2-3/4"     | F                | CCW      | 13.7     | 89.5       |         |
| 7 1/2   | 1760 | 230/460 | 19.4/9.7       | 213T  | E317 ⚡       | E+3(NP) | 1-3/8" x 3-3/8"     | F                | CCW      | 17.5     | 91.7       | 8       |
| 10  | 1755 | 230/460 | 25.2/12.6      | 215T  | E397 ⚡       | E+3(NP) | 1-3/8" x 3-3/8"     | F                | CCW      | 17.3     | 91.7       | 8       |
| 15  | 1770 | 230/460 | 37.8/18.9      | 254T  | E451 ⚡       | E+3(NP) | 1-5/8" x 4"         | F                | CCW      | 22.1     | 93.0       |         |
| 20  | 1765 | 230/460 | 49.0/24.5      | 256T  | E407 ⚡       | E+3(NP) | 1-5/8" x 3-3/4"     | F                | CCW      | 22.1     | 93.6       | 23      |
| 25  | 1765 | 230/460 | 61.0/30.5      | 284T  | E514 ⚡       | E+3(NP) | 1-7/8" x 4-3/8"     | F                | CCW      | 24.3     | 93.6       | 23      |
| 30  | 1765 | 230/460 | 73.2/36.6      | 286T  | E516V2 ⚡     | E+3(NP) | 1-7/8" x 4-3/8"     | F                | CCW      | 25.8     | 94.1       |         |

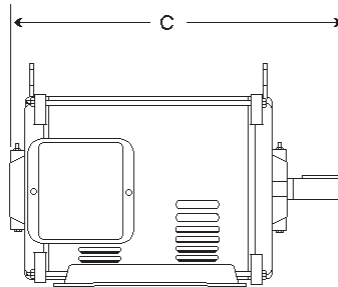
### Notes:

- \$ Energy Efficient \$
- 5. \$ Energy efficient two value capacitor start, capacitor run motor
- 8. NEMA design A
- 23. Suitable for 200/400 volt and 50 HZ
- 80. Large capacitor/terminal box construction



Motors specially designed, tested and warranted to be **Corona-Free** for compatible inverter duty are marked on this page with a ⚡. See page 4 and 5 of this catalog for more Speed Engineered® motors information.

Published efficiency on tri-voltage rated motors applies at 230/460 volts. Performance at 200 or 208 volts may not be in accordance with NEMA standards.



# Century® Crop Dryer Farm Motors

## Direct Drive Only – Single & Three Phase – Dripproof Air-Over and Totally Enclosed Air-Over – Rigid Base – 3600 & 1800 RPM 5-7 thru 10-14 HP

### Features:

- Ball Bearings
- Class F Insulation
- Moisture Resistant
- Copper Wire Wound
- 60 Hz
- Service Factor 1.0
- Rust-Resistant Rotor
- Shaft Drilled & Tapped in End
- 50°C Ambient
- Winding Thermostats
- Switchless Design
- Long Leads



R327

**Applications:** For tubeaxial and vaneaxial direct drive dryers.

| HP  | RPM  | Volts       | Full Load Amps | Frame | Stock Number | Enclosure | Shaft Diameter and Length | Overload Protector | Rotation | "C" Dim. | Efficiency | Notes |
|---|------|-------------|----------------|-------|--------------|-----------|---------------------------|--------------------|----------|----------|------------|-------|
| <b>Single Phase • Permanent Split Capacitor • Open Dripproof Air-Over</b>   |      |             |                |       |              |           |                           |                    |          |          |            |       |
| 5-7   | 3440 | 200-230     | 32.0-28.0      | 184TZ | K220         | ODP       | 1-1/8" x 4-1/2"           | Thermostat         | REV      | 17.9     | 81.0       |       |
| 7-10.5  | 3450 | 200-230     | 48.0-41.0      | 184TZ | K221         | ODP       | 1-1/8" x 4-1/2"           | Thermostat         | REV      | 18.8     | 82.0       |       |
| 7.5-10.5  | 3450 | 200-230     | 43.0-38.0      | 215TZ | K320         | ODP       | 1-1/8" x 4-1/2"           | Thermostat         | REV      | 19.9     | 84.4       |       |
| 10-12   | 1720 | 230         | 40.0-48.0      | 215TZ | K327         | ODP       | 1-3/8" x 5-1/2"           | Thermostat         | REV      | 21.9     | 83.0       | 31    |
| 10-14   | 3450 | 200-230     | 57.0-52.0      | 215TZ | K321         | ODP       | 1-1/8" x 4-1/2"           | Thermostat         | REV      | 20.9     | 86.5       |       |
| <b>Single Phase • Permanent Split Capacitor • Totally Enclosed Air-Over</b> |      |             |                |       |              |           |                           |                    |          |          |            |       |
| 7-10.5  | 3480 | 200-230     | 45.0-40.0      | 184TZ | K236         | TEAO      | 1-1/8" x 4-1/2"           | Thermostat         | REV      | 21.0     | 83.5       |       |
| <b>Three Phase • Totally Enclosed Air-Over</b>                              |      |             |                |       |              |           |                           |                    |          |          |            |       |
| 5-7   | 3500 | 208-230/460 | 19.0-17.0/8.5  | 184TZ | R244         | TEAO      | 1-1/8" x 4-1/2"           | Thermostat         | REV      | 17.1     | 84.0       |       |
| 7.5-10.5  | 3500 | 208-230/460 | 27.0-25.0/12.5 | 184TZ | R243         | TEAO      | 1-1/8" x 4-1/2"           | Thermostat         | REV      | 20.0     | 84.0       |       |
| 10-14   | 3460 | 230/460     | 36.0/18.0      | 215TZ | R327         | TEAO      | 1-1/8" x 4-1/2"           | Thermostat         | REV      | 20.0     | 88.0       |       |

# Century® Aeration Fan Farm Motors

## Fan Duty Only – Single & Three Phase – Totally-Enclosed Air-Over Rigid Base – 3600 RPM – 1/2 thru 3-4 HP

- Features:** • Ball Bearings • Class B Insulation • 60 Hz • 40°C Ambient • Service Factor 1.0



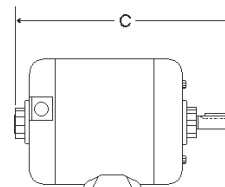
B221

**Applications:** Direct replacement for many OEM models.

| HP                  | RPM  | Volts       | Full Load Amps | Frame | Stock Number | Enclosure | Shaft Diameter and Length | Overload Protector | Rotation | "C" Dim. | Notes        |
|---------------------|------|-------------|----------------|-------|--------------|-----------|---------------------------|--------------------|----------|----------|--------------|
| <b>Single Phase</b> |      |             |                |       |              |           |                           |                    |          |          |              |
| 1/2                 | 3450 | 115/230     | 6.4/3.2        | 48Z   | B666         | TENV      | 1/2" x 2"                 | Auto               | RCC      | 10.4     | 45           |
| 1/2                 | 3450 | 115/230     | 5.8/2.9        | 56    | B220         | TEAO      | 5/8" x 1-7/8"             | Auto               | RCC      | 11.1     | 70           |
| 3/4                 | 3450 | 115/230     | 8.0/4.0        | 56    | B221         | TEAO      | 5/8" x 1-7/8"             | Auto               | RCW      | 11.4     | 70           |
| 1                   | 3450 | 115/230     | 9.2/4.6        | 56    | B222         | TEAO      | 5/8" x 1-7/8"             | Auto               | RCC      | 12.2     | 70           |
| 1 1/2               | 3450 | 230         | 6.5            | 143T  | K117         | TEAO      | 7/8" x 2-1/4"             | Auto               | RCW      | 12.6     | 70,182       |
| 2                   | 3450 | 230         | 8.4            | 145T  | K118         | TEAO      | 7/8" x 2-1/4"             | Auto               | RCW      | 13.1     | 70,182       |
| 3-4                 | 3450 | 230         | 12.4-17.0      | 145T  | K112         | TEAO      | 7/8" x 2-1/4"             | Thermostat         | RCC      | 13.8     | 5,116,182,\$ |
| 3                   | 3450 | 230         | 15.4           | 145T  | K116         | TEAO      | 7/8" x 2-1/4"             | Thermostat         | RCW      | 13.8     | 70,116,182   |
| <b>Three Phase</b>  |      |             |                |       |              |           |                           |                    |          |          |              |
| 3/4                 | 3450 | 208-230/460 | 2.6-2.4/1.2    | 56    | H041         | TEAO      | 5/8" x 1-7/8"             | None               | RCC      | 11.1     |              |
| 1                   | 3450 | 208-230/460 | 2.8-2.7/1.35   | 56    | H042         | TEAO      | 5/8" x 1-7/8"             | None               | RCC      | 11.1     |              |
| 1 1/2               | 3450 | 208-230/460 | 4.4-4.2/2.1    | 143T  | R180         | TEAO      | 7/8" x 2-1/4"             | Thermostat         | RCC      | 12.1     | 116,182      |
| 2                   | 3450 | 208-230/460 | 7.1-6.8/3.4    | 145T  | R181         | TEAO      | 7/8" x 2-1/4"             | Thermostat         | RCC      | 12.1     | 116,182      |
| 3-4                 | 3450 | 230/460     | 8.4/4.2        | 145T  | R155         | TEAO      | 7/8" x 2-1/4"             | Thermostat         | RCC      | 12.1     | 116,177,182  |

### Notes:

- \$ Energy Efficient \$
- 5. \$ Energy efficient two value capacitor start, capacitor run motor
- 31. 40 Degree C ambient
- 45. Capacitor start
- 70. Permanent split capacitor
- 116. Temperature sensitive thermostat with two leads for connection to external control
- 177. Meets the requirements of the Energy Policy Act of 1992
- 182. Locked bearing on drive end





## Direct Drive – Capacitor Start – Single Phase & Three Phase Totally Enclosed Fan Cooled - No Base – 1800 RPM – 1/3 thru 1-1/2 HP

### Features:

- New “N” Flange Bracket
- Torque Switch and Governor
- Double Sealed Ball Bearing
- 60 Hz
- High Starting Torque
- Service Factor 1.0
- 40°C Ambient



**Applications:** Designed for direct drive poultry and swine auger feeding systems.

| HP                  | RPM  | Volts       | Full Load Amps | Frame | Stock Number | Base/ Mounting | Enclosure | Shaft Dia. & Length | Insulation Class | Overload Protector | Rotation | “C” Dim | Notes       |
|---------------------|------|-------------|----------------|-------|--------------|----------------|-----------|---------------------|------------------|--------------------|----------|---------|-------------|
| <b>Single Phase</b> |      |             |                |       |              |                |           |                     |                  |                    |          |         |             |
| 1/3                 | 1725 | 115/230     | 5.5/2.8        | 56N   | <b>C330</b>  | Round Frame    | TENV      | 1/2” x 1-3/4”       | B                | Manual             | RCC      | 9.6     |             |
| 1/2                 | 1725 | 115/230     | 7.2/3.6        | 56N   | <b>C331</b>  | Round Frame    | TEFC      | 1/2” x 1-3/4”       | B                | Manual             | RCC      | 12.4    |             |
| 3/4                 | 1725 | 230/115     | 5.2/10.4       | 56N   | <b>C332</b>  | Round Frame    | TEFC      | 1/2” x 1-3/4”       | B                | Manual             | RCC      | 12.4    |             |
| 1                   | 1725 | 230/115     | 6.0/12.0       | 56N   | <b>C333</b>  | Round Frame    | TEFC      | 5/8” x 2.10”        | B                | Manual             | RCC      | 13.3    |             |
| 1 1/2               | 1725 | 230/115     | 6.6/13.2       | 56N   | <b>C340</b>  | Round Frame    | TEFC      | 5/8” x 2.10”        | B                | Manual             | RCW      | 14.5    |             |
| <b>Three Phase</b>  |      |             |                |       |              |                |           |                     |                  |                    |          |         |             |
| 1/3                 | 1725 | 200-230/460 | 1.2-1.2/.06    | 56N   | <b>C345</b>  | Round Frame    | TENV      | 1/2” x 1-3/4”       | B                | Manual             | RCC      | 9       | <b>NEW!</b> |
| 1/2                 | 1725 | 200-230/460 |                | 56N   | <b>C346</b>  | Round Frame    | TEFC      |                     | B                | Manual             | RCC      |         | <b>NEW!</b> |
| 3/4                 | 1725 | 200-230/460 |                | 56N   | <b>C347</b>  | Round Frame    | TEFC      |                     | B                | Manual             | RCC      |         | <b>NEW!</b> |
| 1                   | 1725 | 200-230/460 |                | 56N   | <b>C348</b>  | Round Frame    | TEFC      |                     | B                | Manual             | RCC      |         | <b>NEW!</b> |
| 1 1/2               | 1725 | 200-230/460 |                | 56N   | <b>C349</b>  | Round Frame    | TEFC      |                     | B                | Manual             | RCC      |         | <b>NEW!</b> |

## Century® Grain Stirring Farm Motors

### Single Phase – Capacitor Start Capacitor Run – Totally Enclosed Fan Cooled – Rigid Base – 1800 RPM – 1- 1/2 HP

### Features:

- Moisture Resistant
- 40°C Ambient
- 60 Hz
- Ball Bearings
- Keyed Shaft
- Service Factor 1.0
- Reversible
- 205 Bearing, Shaft End



**Applications:** Designed for interior grain bin installations.

| HP    | RPM  | Volts | Full Load Amps | Frame | Stock Number  | Enclosure | Shaft Dia. & Length | Insul. Class | Overload Protector | Rotation | “C” Dim. | Notes |
|-------|------|-------|----------------|-------|---------------|-----------|---------------------|--------------|--------------------|----------|----------|-------|
| 1 1/2 | 1725 | 230   | 7.4            | 56Y   | <b>C317V1</b> | TEFC      | 7/8” x 1.44”        | B            | Manual             | RCC      | 13.3     | 301   |

**Note:**

301. 115 volt tap off main winding to power gear drive unit

# Century® Replacement Zero Milk Tank Farm Motors

## PMDC Motor – Totally Enclosed Non-Ventilated – 95 VDC 950 RPM – Intermittent-Duty – 1/2 thru 1 HP



D211

### Features:

- Double Sealed Ball Bearings
- Round Frame
- Non-toxic, White Epoxy Paint, FDA Approved for Contact with Food
- Shaft Seal
- All Bracket to Frame Fits and Terminal Cover have Internal O-ring
- Gasketed Brush Access Covers
- 1/2" - 14 Tapped Conduit Hole
- Stainless Steel Shaft, with or without O-ring Grooves on Shaft

**Applications:** Improved design to replace motors on Zero Milk Tank.

| HP  | RPM | Volts | Full Load Amps | Stock Number | Bearings | Enclosure | Insulation Class | Rotation | "C" Dim. | O-ring Grooves | Notes |
|-----|-----|-------|----------------|--------------|----------|-----------|------------------|----------|----------|----------------|-------|
| 1/2 | 950 | 95    | 5.2            | D201         | Ball     | TENV      | F                | REV      | 15.2     | No             |       |
| 1/2 | 950 | 95    | 5.2            | D211         | Ball     | TENV      | F                | REV      | 15.2     | Yes            |       |
| 1   | 950 | 95    | 11.0           | D202         | Ball     | TENV      | F                | REV      | 17.2     | No             |       |
| 1   | 950 | 95    | 11.0           | D212         | Ball     | TENV      | F                | REV      | 17.2     | Yes            |       |

### Note:

See page 254 for motor dimensions.

# Century® Milk Pump Farm Motors

## Single Phase & Three Phase – Permanent Split Capacitor – Totally-Enclosed Non-Ventilated – Rigid Base – 3600 RPM – 1/2 thru 1 HP



B585

### Features:

- Ball Bearings
- 60 Hz
- 40°C Ambient
- Service Factor 1.0
- Stainless Steel Shaft
- Cast Iron NEMA "C" End Bracket
- Weatherproof Features for Washdown
- Non-Reversible, CW Rotation Facing End Opposite Shaft

**Applications:** Milk transfer pump.

| HP                  | RPM  | Volts       | Full Load Amps | Frame | Stock Number | Enclosure | Shaft    | Insul. Class | Overload Protector | Rotation | "C" Dim. | Notes |
|---------------------|------|-------------|----------------|-------|--------------|-----------|----------|--------------|--------------------|----------|----------|-------|
| <b>Single Phase</b> |      |             |                |       |              |           |          |              |                    |          |          |       |
| 1/2                 | 3450 | 115/230     | 6.6/3.3        | 56CZ  | B587         | TENV      | Threaded | B            | Auto               | CW       | 11.3     | 114   |
| 1/2                 | 3450 | 208-230     | 2.8-2.7        | 56HCZ | B584         | TENV      | Threaded | B            | Auto               | CW       | 12.4     | 114   |
| 3/4                 | 3450 | 208-230     | 4.0-3.8        | 56HCZ | B582         | TENV      | Keyed    | B            | Auto               | CW       | 12.2     |       |
| 3/4                 | 3450 | 208-230     | 4.0-3.8        | 56HCZ | B585         | TENV      | Threaded | B            | Auto               | CW       | 12.4     | 114   |
| 3/4                 | 3450 | 208-230     | 4.0-3.8        | 56HCZ | B592         | TENV      | Special  | B            | Auto               | RCW      | 13.4     | 223   |
| 1                   | 3450 | 208-230     | 4.8-4.5        | 56HCZ | B583         | TENV      | Keyed    | B            | Auto               | CW       | 12.2     |       |
| 1                   | 3450 | 208-230     | 4.8-4.5        | 56HCZ | B586         | TENV      | Threaded | B            | Auto               | CW       | 12.4     | 114   |
| <b>Three Phase</b>  |      |             |                |       |              |           |          |              |                    |          |          |       |
| 1/2                 | 3450 | 208-230/460 | 1.9-1.8/0.9    | 56HCZ | B596         | TENV      | Threaded | B            | Auto               | CW//CCW  | 11.9     | NEW!  |
| 3/4                 | 3450 | 208-230/460 | 2.5-2.4/1.2    | 56HCZ | B597         | TENV      | Special  | B            | Auto               | RCW      | 13.4     | NEW!  |
| 3/4                 | 3450 | 208-230/460 |                | 56HCZ | B598         | TENV      | Key      | B            | Auto               | RCW      |          | NEW!  |
| 1                   | 3450 | 208-230/460 | 3.3-3.2/1.6    | 56HCZ | B595         | TENV      | Keyed    | B            | Auto               | RCW      | 12.2     | NEW!  |
| 1                   | 3450 | 208-230/460 |                | 56HCZ | B599         | TENV      | Threaded | B            | Auto               | RCW      |          | NEW!  |

### Notes:

114. Threaded shaft Acme threads

223. Direct replacement for Surge milk pumps, Babson motor #27732, requires 30 MFD/370 VAC capacitor, separately - not supplied

# Premium Efficiency Two-Speed Pool and Spa Motor with Integrated Timer



A premium efficiency motor in the Centurion motor family.



B2980T

## Features:

- Integrated Timer Interface
- Timer Mode
- Adjustable Contrast
- Manual Mode
- Over Current Protection
- Battery Backup - Program Saver
- LCD Display with Backlight
- Ball Bearing
- Class B Insulation
- 50°C Ambient
- High Efficiency High and Low Speed
- Open Dripproof
- Rotation: CCW Pump End
- Single Phase
- 303 Stainless Steel Shaft

## Two-Speed - "1081" Capacitor Run Low Speed, PSC High Speed, Sq. Flange

| HP          | RPM       | Volts | Service Factor | Service Factor Amps | Stock Number | Total HP | Percent Energy Savings* | Yearly \$ Savings** |
|-------------|-----------|-------|----------------|---------------------|--------------|----------|-------------------------|---------------------|
| 3/4 ~ .10   | 3450/1725 | 230   | 1.67           | 6.0/1.0             | B2980T       | 1.25     | 58%                     | \$633.32            |
| 3/4 ~ .10   | 3450/1725 | 115   | 1.67           | 12.4/2.2            | B2981T       | 1.25     | 55%                     | \$606.29            |
| 1 ~ .13     | 3450/1725 | 230   | 1.65           | 7.4/1.4             | B2982T       | 1.65     | 51%                     | \$625.60            |
| 1 1/2 ~ .19 | 3450/1725 | 230   | 1.47           | 10.0/1.6            | B2983T       | 2.21     | 51%                     | \$687.79            |
| 2 ~ .25     | 3450/1725 | 230   | 1.30           | 11.0/1.8            | B2984T       | 2.60     | 53%                     | \$634.53            |

\*Savings over the equivalent single speed motor.

\*\*Calculated @ \$.23 per Kilowatt hour, pumping same amount of water as a single speed motor, eight hours per day.

See the Energy Savings Calculator at: [www.pool-motors.com](http://www.pool-motors.com)

## Century® C-Face Pool and Spa Motors with Timer

### Features:

- Integrated Timer Interface
- Timer Mode
- Adjustable Contrast
- Manual Mode
- Over Current Protection
- Battery Backup - Program Saver
- LCD Display with Backlight
- Ball Bearing
- Class B Insulation
- 40°C Ambient
- High Efficiency High and Low Speed
- Open Dripproof
- Rotation: CCW Pump End
- Single Phase
- 303 Stainless Steel Shaft

## Two Speed "1081" Capacitor Run Low Speed, PSC High Speed, C-Face

| HP      | RPM       | Volts | Service Factor Amps | Service Factor | THP  | Frame | Stock Number | Overload Protector | Shaft    | "C" Dimension | Notes    |
|---------|-----------|-------|---------------------|----------------|------|-------|--------------|--------------------|----------|---------------|----------|
| 3/4~.10 | 3450/1725 | 115   | 12.2/2.2            | 1.50           | 1.13 | 56J   | B2973T ★     | Auto               | Threaded | 12.30         | 12,\$    |
| 1~.12   | 3450/1725 | 230   | 6.1/1.5             | 1.40           | 1.40 | 56J   | B2975T ★     | Auto               | Threaded | 13.05         | 12,\$    |
| 2~.25   | 3450/1725 | 230   | 11.0/1.6            | 1.20           | 2.4  | 56J   | B2979T ★     | Auto               | Threaded | 13.55         | 12,\$    |
| 3~.38   | 3450/1725 | 230   | 13.8/4.0            | 1.15           | 3.45 | 56J   | B966T ★      | Auto               | Threaded | 14.29         | 12,68,\$ |

### Notes:

\$ Energy efficient

12. 303 Stainless steel shaft

68. PSC motor

★ Meets California Energy

Commission Appliance Regulations 2008

(Publication Number CEC-400-2006-002-REV1) [www.energy.ca.gov](http://www.energy.ca.gov)

### Important:

The pool motors on this page are **NOT equipped with a Safety Vacuum Release System (SVRS)**. SVRS helps prevent drowning due to body entrapment on underwater drains. In some pool configurations, if a person's body covers the drain, the person can be trapped by suction. The SVRS turns off the pump if this occurs.

**⚠ WARNING** Depending on your pool configuration, a SVRS may be required to meet local, state, and federal requirements.

# Premium Efficiency Variable Speed Motor



## Features:

- Integrated Timer Interface
- On- and Off-Board Mountable Interface
- Timer Mode
- Manual Mode
- Freeze Protection
- Auxiliary Load Capacity
- Configurable Prime Settings
- Noise Reduction Design
- Adjustable Contrast
- Power Factor Correction
- Factory Reset
- Battery Backup - Program Saver
- LCD Display with Backlight
- Ball Bearing
- TEFC
- Rotation: CCWPE
- Single Phase
- 303 Stainless Steel Shaft
- Class F Insulation
- 50°C Ambient
- UV and Rain-Proof Enclosure

| THP                | RPM      | Volts | Service Factor | Full Load Amps | Stock Number    | Flange | Percent Energy Savings* | Yearly \$ Savings** |
|--------------------|----------|-------|----------------|----------------|-----------------|--------|-------------------------|---------------------|
| 3/4 min. – 2.7 max | 3450/600 | 230   | 1.0            | 10.5/0.5       | <b>ECM27SQU</b> | Square | 80%                     | \$1318.05           |
| 3/4 min. – 2.7 max | 3450/600 | 230   | 1.0            | 10.5/0.5       | <b>ECM27CU</b>  | C-Face | 80%                     | \$1318.05           |

\*Savings over the equivalent single-speed motor.

\*\*Calculated @ \$.23 per Kilowatt hour, pumping same amount of water as a single-speed motor, eight hours per day.

See the Energy Savings Calculator at: [www.pool-motors.com](http://www.pool-motors.com)

## The reasons a V-Green® premium-efficiency replacement motor can offer such impressive savings are numerous including:

- An integrated timer interface allows for easier installation and operation of a variable speed motor. The all-in-one design reduces installation time and expense with no additional wiring required. The interface can be installed off-board at the pool owner's discretion with kit# 2512723-001 (sold separately).
- The amount of horsepower required to move the water through the pipes drops much more quickly than the speed. While it may take one horsepower to move the water through the pipes on high speed, it only takes 1/8 horsepower to move one half as much water through those same pipes on low speed. Even when run on low speed twice as long to pump the same amount of water as on high speed, the lower horsepower results in significant energy savings.



### Important:

The pool motors on this page are **NOT equipped with a Safety Vacuum Release System (SVRS)**. SVRS helps prevent drowning due to body entrapment on underwater drains. In some pool configurations, if a person's body covers the drain, the person can be trapped by suction. The SVRS turns off the pump if this occurs.

**⚠ WARNING** Depending on your pool configuration, a SVRS may be required to meet local, state, and federal requirements.

## EASY TO INSTALL - PROTECTS PUMP - IMPROVES POOL SAFETY

### Features:

- Easy to install
- Auto-Reset
- Auto-Calibration
- Ball Bearing
- Economical
- 60 HZ
- Stainless Steel Shaft
- Nerve Center (lighting sequence)
- 3/4 to 3 HP
- Single-Speed
- Single Phase
- Run/Restart/Rest/Bypass Mode
- Tamper-Resistant Housing
- Compatible with all flow rates



USQG1152A

### Applications:

Century® Guardian® motors comply with requirements for safety vacuum release systems in the Virginia Graeme Baker Pool and Spa Safety Act of 2007. Guardian® motors on this page pass ASME A112.19.17 SVRS standard.

Guardian® motors will not prevent evisceration, hair, object or partial limb entrapment and is designed for suction lift applications.

| HP                                    | RPM  | Volts   | Max. Amps | Service Factor | THP  | Frame | Stock Number | Shaft    | Rating | Approx. "AG" | Notes |
|---------------------------------------|------|---------|-----------|----------------|------|-------|--------------|----------|--------|--------------|-------|
| <b>TWO COMPARTMENT, C-FACE</b>        |      |         |           |                |      |       |              |          |        |              |       |
| 1                                     | 3450 | 115/230 | 15.0/7.5  | 1.10           | 1.10 | 56J   | USTG1102A    | Threaded | Up     | 11           |       |
| 1                                     | 3450 | 115/230 | 18.6/9.3  | 1.50           | 1.50 | 56J   | STG1102A     | Threaded | Full   | 12-1/8       |       |
| 1-1/2                                 | 3450 | 115/230 | 18.6/9.3  | 1.00           | 1.50 | 56J   | USTG1152A    | Threaded | Up     | 12-1/8       |       |
| 2                                     | 3450 | 208-230 | 12.6/11.4 | 1.32           | 2.64 | 56J   | STG1202A     | Threaded | Full   | 13-1/16      |       |
| 3                                     | 3450 | 208-230 | 14.5/13.8 | 1.15           | 3.45 | 56J   | STG1302A     | Threaded | Full   | 14-3/16      |       |
| <b>CENTURION, C-FACE</b>              |      |         |           |                |      |       |              |          |        |              |       |
| 1                                     | 3450 | 230/115 | 7.2/14.4  | 1.40           | 1.4  | 56J   | BG128A       | Threaded | Full   | 10           |       |
| 1-1/2                                 | 3450 | 230/115 | 9.2/18.4  | 1.30           | 1.95 | 56J   | BG129A       | Threaded | Full   | 11           |       |
| 2                                     | 3450 | 230     | 10.5      | 1.20           | 2.40 | 56J   | BG130A       | Threaded | Full   | 10-1/2       |       |
| 3                                     | 3450 | 230     | 14.1      | 1.15           | 3.45 | 56J   | BG131A       | Threaded | Full   | 11-9/16      |       |
| <b>TWO COMPARTMENT, SQUARE FLANGE</b> |      |         |           |                |      |       |              |          |        |              |       |
| 3/4                                   | 3450 | 115/230 | 11.8/5.9  | 1.27           | 0.95 | 48Y   | USQG1072A    | Threaded | Up     | 11-1/2       |       |
| 1                                     | 3450 | 115/230 | 14.8/7.4  | 1.25           | 1.25 | 48Y   | USQG1102A    | Threaded | Up     | 12-1/8       |       |
| 1-1/2                                 | 3450 | 115/230 | 19.2/9.6  | 1.10           | 1.65 | 48Y   | USQG1152A    | Threaded | Up     | 13-1/8       |       |
| 2                                     | 3450 | 230     | 11.2      | 1.30           | 2.60 | 48Y   | SQG1202A     | Threaded | Full   | 13-7/8       |       |
| 3                                     | 3450 | 230     | 15.4      | 1.15           | 3.45 | 56Y   | SQG1302A     | Threaded | Full   | 14           |       |
| <b>CENTURION, SQUARE FLANGE</b>       |      |         |           |                |      |       |              |          |        |              |       |
| 1                                     | 3450 | 230/115 | 7.1/14.2  | 1.25           | 1.25 | 56Y   | BG853A       | Threaded | Up     | 9-7/8        |       |
| 1                                     | 3450 | 230/115 | 8.0/16.0  | 1.65           | 1.65 | 56Y   | BG848A       | Threaded | Full   | 10-1/4       |       |
| 1-1/2                                 | 3450 | 230/115 | 8.0/16.0  | 1.10           | 1.65 | 56Y   | BG854A       | Threaded | Up     | 10-1/4       |       |
| 2                                     | 3450 | 230     | 10.0      | 1.10           | 2.20 | 56Y   | BG855A       | Threaded | Up     | 10-7/8       |       |
| 2                                     | 3450 | 230     | 11.5      | 1.30           | 2.60 | 56Y   | BG748A       | Threaded | Full   | 12-3/4       |       |
| 3                                     | 3450 | 208-230 | 15.0-13.6 | 1.15           | 3.45 | 56Y   | BG2844A      | Threaded | Full   | 13-5/8       |       |

### Notes:

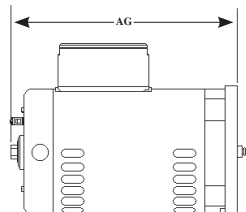
#### Guardian® Motors Also:

Facilitates no main drain pool designs in place of an equalizer line. Guardian® motors shut off the motor/pump when the water level drops below the skimmer.

Reduces pump, motor and seal damage.

Shut off the motor/pump if any of the following conditions occur: Dry, blocked or jammed pump conditions; locked rotor, loss of prime, or abnormal voltage variations.

Detect clogged or blocked filters and shuts down the pump.



**⚠ WARNING** Guardian® SVRS helps prevent body entrapment on drains due to suction only. It does NOT protect against the four other types of entrapment:

**Hair Entanglement:** if long hair is pulled into some drains by the flowing water, it can become knotted or snagged, trapping the swimmer underwater and leading to drowning.

**Mechanical Entrapment:** small items or body parts (e.g., jewelry, swimsuit, hair decorations, fingers, toes, or knuckles) can be caught in some drains or drain covers, trapping the swimmer underwater and leading to drowning.

**Limb Entrapment:** arms or legs can become trapped in uncovered drains, leading to drowning.

**Evisceration/Disembowelment:** if a person sits on some drains, the suction can pull the lower intestine out of the rectum, causing irreversible damage.

## Two Compartment NEMA C-Face Pool Filter Motors • Single Speed

### Features:

- Auto Protector
- Open Dripproof
- Sealed Ball Bearings
- “1081” Design
- 304 Brg. Shaft End
- Capacitor Start and Capacitor Start-Capacitor Run
- NEMA “56C” Face Mount
- Rotation: CCW Pump End
- Sealed Switch Design
- 50°C Ambient
- 60 Hz
- 303 Stainless Shaft (56J & 56C)



SK1072



CT1072

### HIGH SERVICE FACTOR (FULL RATED) - STANDARD EFFICIENCY AND “CONSERVATIONIST™” HIGH EFFICIENCY DESIGNS

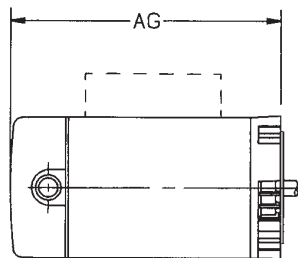
| HP    | RPM  | Volts       | Max. Amps     | Service Factor | THP  | Frame | Stock Number | Shaft | Approx. “AG” | Notes |
|-------|------|-------------|---------------|----------------|------|-------|--------------|-------|--------------|-------|
| 1/2   | 3450 | 115/230     | 10.6/5.3      | 1.6            | 0.8  | 56C   | SK1052       | Key   | 11           |       |
| 1/2   | 3450 | 115/230     | 8.0/4.0       | 1.6            | 0.8  | 56C   | CK1052★      | Key   | 11           | 20,\$ |
| 1/2   | 3450 | 115/230     | 11.0/5.5      | 1.6            | 0.8  | 56J   | ST1052       | Thd.  | 10-5/8       |       |
| 1/2   | 3450 | 115/230     | 8.0/4.0       | 1.6            | 0.8  | 56J   | CT1052★      | Thd.  | 11           | 20,\$ |
| 3/4   | 3450 | 115/230     | 14.6/7.3      | 1.5            | 1.13 | 56C   | SK1072       | Key   | 11-9/16      |       |
| 3/4   | 3450 | 115/230     | 11.0/5.5      | 1.5            | 1.13 | 56C   | CK1072       | Key   | 11-11/16     | 20,\$ |
| 3/4   | 3450 | 115/230     | 15.0/7.5      | 1.5            | 1.13 | 56J   | ST1072       | Thd.  | 11           |       |
| 3/4   | 3450 | 115/230     | 11.0/5.5      | 1.5            | 1.13 | 56J   | CT1072       | Thd.  | 11-11/16     | 20,\$ |
| 1     | 3450 | 115/230     | 17.0/8.5      | 1.5            | 1.5  | 56C   | SK1102       | Key   | 12-1/8       |       |
| 1     | 3450 | 115/230     | 13.6/6.8      | 1.4            | 1.4  | 56C   | CK1102       | Key   | 12-1/8       | 20,\$ |
| 1     | 3450 | 115/230     | 18.6/9.3      | 1.5            | 1.5  | 56J   | ST1102       | Thd.  | 12-1/8       |       |
| 1     | 3450 | 115/230     | 13.6/6.8      | 1.4            | 1.4  | 56J   | CT1102       | Thd.  | 12-1/8       | 20,\$ |
| 1-1/2 | 3450 | 115/230     | 19.4/9.7      | 1.3            | 1.95 | 56C   | SK1152       | Key   | 12-5/8       | 20,\$ |
| 1-1/2 | 3450 | 115/208-230 | 19.6/10.4-9.8 | 1.5            | 2.25 | 56J   | ST1152       | Thd.  | 12-5/8       | 20,\$ |
| 2     | 3450 | 230         | 11.2          | 1.3            | 2.6  | 56C   | SK1202       | Key   | 13-1/16      | 20,\$ |
| 2     | 3450 | 208-230     | 12.6-11.4     | 1.3            | 2.6  | 56J   | ST1202       | Thd.  | 13-1/16      | 20,\$ |
| 3     | 3450 | 230         | 14.4          | 1.15           | 3.45 | 56C   | SK1302V1     | Key   | 13-5/8       | 20,\$ |
| 3     | 3450 | 208-230     | 14.5-13.8     | 1.15           | 3.45 | 56J   | ST1302V1     | Thd.  | 14-3/16      | 20,\$ |

### Notes:

\$ Energy efficient

20. \$ Energy Efficient capacitor start, capacitor run “Conservationist™” motor  
See page 247 for mounting dimensions.

★ Meets California Energy Commission Appliance Regulations 2008  
(Publication Number CEC-400-2006-002-REV1)  
www.energy.ca.gov



### Important:

1. Total output (HP x service factor) of replacement motor must equal or exceed motor being replaced.
2. The pool motors on this page are **NOT equipped with a Safety Vacuum Release System (SVRS)**. SVRS helps prevent drowning due to body entrapment on underwater drains. In some pool configurations, if a person’s body covers the drain, the person can be trapped by suction. The SVRS turns off the pump if this occurs.

**⚠ WARNING** Depending on your pool configuration, a SVRS may be required to meet local, state, and federal requirements.



## Two Compartment NEMA C-Face Pool Filter Motors • Single Speed

### Features:

- Auto Protector
- Sealed Switch Design
- Sealed Ball Bearings
- NEMA “56C” Face Mount
- Open Dripproof
- “1081” Design
- 50°C Ambient
- 60 Hz
- Rotation: CCW Pump End
- 304 Brg. Shaft End
- 303 Stainless Shaft (56J & 56C)
- Capacitor Start and Capacitor Start-Capacitor Run



UST1072

### LOW SERVICE FACTOR (UP-RATED) - STANDARD EFFICIENCY AND “CONSERVATIONIST™” HIGH EFFICIENCY DESIGNS

| HP    | RPM  | Volts       | Max. Amps     | Service Factor | THP  | Frame | Stock Number | Approx. Shaft | “AG”     | Notes |
|-------|------|-------------|---------------|----------------|------|-------|--------------|---------------|----------|-------|
| 3/4   | 3450 | 115/230     | 11.0/5.5      | 1.0            | .75  | 56J   | UST1072      | Thd.          | 10-5/8   |       |
| 3/4   | 3450 | 115/230     | 8.0/4.0       | 1.0            | .75  | 56J   | UCT1072 ★    | Thd.          | 11       | 20,\$ |
| 1     | 3450 | 115/230     | 15.0/7.5      | 1.1            | 1.1  | 56J   | UST1102      | Thd.          | 11       |       |
| 1     | 3450 | 115/230     | 11.0/5.5      | 1.0            | 1.0  | 56J   | UCT1102      | Thd.          | 11-11/16 | 20,\$ |
| 1-1/2 | 3450 | 115/230     | 18.6/9.3      | 1.0            | 1.5  | 56J   | UST1152      | Thd.          | 12-1/8   |       |
| 1-1/2 | 3450 | 115/230     | 14.6/7.3      | 1.0            | 1.5  | 56J   | UCT1152      | Thd.          | 12-1/8   | 20,\$ |
| 2     | 3450 | 115/208-230 | 19.6/10.4-9.8 | 1.1            | 2.2  | 56J   | UST1202      | Thd.          | 12-5/8   | 20,\$ |
| 2-1/2 | 3450 | 208-230     | 12.6/11.4     | 1.1            | 2.75 | 56J   | UST1252      | Thd.          | 13-1/16  | 20,\$ |

## Two Compartment NEMA C-Face Pool Filter Motors • Two-Speed

### Features:

- Auto Protector
- Sealed Switch Design
- Rotation: CCW Pump End
- All Copper Windings
- Open Dripproof
- “1081” Design
- 50°C Ambient
- 60 Hz
- 303 Stainless Steel Threaded Shaft
- Sealed Ball Bearings (304 Shaft End)
- Capacitor Start/Capacitor Run



STS1072RV1

Century® NEMA C flange swimming pool filter pump motors are carefully engineered to meet the rugged demands of pool duty. Two sealed ball bearings (with large 304 bearing on shaft end) offer ample capacity for extended life. Bearings are selected for quietness and are lubricated for life with greases specifically chosen for moisture and heat resistant qualities. Aluminum end frames are accurately machined for maximum concentricity and minimum runout.

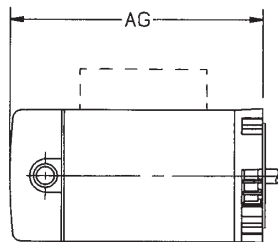
Two-speed motors are shipped less hi/lo switch for remote operation. End cover and switch assembly kit number 1011431-001 available and sold separately.

| HP        | RPM       | Volts | Max. Amps Hi - Lo | Service Factor | THP  | Frame | Stock Number | Shaft | Approx. “AG” | Notes |
|-----------|-----------|-------|-------------------|----------------|------|-------|--------------|-------|--------------|-------|
| 3/4~1/10  | 3450/1725 | 230   | 5.4/2.2           | 1.5            | 1.13 | 56J   | STS1072RV1 ★ | Thrd  | 12-1/8       | 90,\$ |
| 1~1/8     | 3450/1725 | 230   | 7.0/2.3           | 1.5            | 1.5  | 56J   | STS1102RV1 ★ | Thrd  | 12-1/2       | 90,\$ |
| 1-1/2~1/4 | 3450/1725 | 230   | 9.0/3.3           | 1.3            | 1.95 | 56J   | STS1152R ★   | Thrd  | 13-1/16      | 20,\$ |

### Notes:

§ Energy efficient  
 20. \$ Energy Efficient capacitor start, capacitor run “Conservationist” motor  
 90. 50 degree C ambient  
 See page 247 for mounting dimensions.

★ Meets California Energy Commission Appliance Regulations 2008 (Publication Number CEC-400-2006-002-REV1) [www.energy.ca.gov](http://www.energy.ca.gov)



### Important:

1. Total output (HP x service factor) of replacement motor must equal or exceed motor being replaced.
2. The pool motors on this page are **NOT equipped with a Safety Vacuum Release System (SVRS)**. SVRS helps prevent drowning due to body entrapment on underwater drains. In some pool configurations, if a person’s body covers the drain, the person can be trapped by suction. The SVRS turns off the pump if this occurs.

**⚠ WARNING** Depending on your pool configuration, a SVRS may be required to meet local, state, and federal requirements.

# Century® C-Face Pool and Spa Pump Motors

## Permanent Split Capacitor – Switchless – Single Phase – Dripproof No Base – 3450 RPM 1/2 thru 4 HP

### Features:

- Ball Bearings
- 50°C Ambient
- 60 Hz
- Class B Insulation
- 304 Bearing Shaft End
- Rotation: CCW Pump End



B126

### Centurion® “1081” • Full Rate • High Service Factor • Aluminum NEMA “C” Brackets

| HP    | RPM  | Volts   | Service Factor Amps | Service Factor | THP  | Frame | Stock Number | Overload Protector | Shaft    | “C” Dimension | Notes        |
|-------|------|---------|---------------------|----------------|------|-------|--------------|--------------------|----------|---------------|--------------|
| 1/2   | 3450 | 230/115 | 4.4/8.8             | 1.60           | 0.8  | 56C   | <b>B120★</b> | Auto               | Keyed    | 11.44         |              |
| 1/2   | 3450 | 230/115 | 4.4/8.8             | 1.60           | 0.8  | 56J   | <b>B126★</b> | Auto               | Threaded | 11.94         | 12           |
| 3/4   | 3450 | 230/115 | 6.0/12.0            | 1.50           | 1.13 | 56C   | <b>B121</b>  | Auto               | Keyed    | 11.44         |              |
| 3/4   | 3450 | 230/115 | 6.0/12.0            | 1.50           | 1.13 | 56J   | <b>B127</b>  | Auto               | Threaded | 12.01         | 12           |
| 1     | 3450 | 230/115 | 7.2/14.4            | 1.40           | 1.4  | 56C   | <b>B122</b>  | Auto               | Keyed    | 11.89         |              |
| 1     | 3450 | 230/115 | 7.2/14.4            | 1.40           | 1.4  | 56J   | <b>B128</b>  | Auto               | Threaded | 12.14         | 12           |
| 1-1/2 | 3450 | 230/115 | 9.2/18.4            | 1.30           | 1.95 | 56C   | <b>B123</b>  | Auto               | Keyed    | 13.19         |              |
| 1-1/2 | 3450 | 230/115 | 9.2/18.4            | 1.30           | 1.95 | 56J   | <b>B129</b>  | Auto               | Threaded | 13.50         | 12           |
| 2     | 3450 | 230/115 | 10.8/21.6           | 1.20           | 2.4  | 56C   | <b>B835</b>  | Auto               | Keyed    | 13.94         |              |
| 2     | 3450 | 230     | 10.5                | 1.20           | 2.4  | 56C   | <b>B124</b>  | Auto               | Keyed    | 12.55         |              |
| 2     | 3450 | 230/115 | 10.8/21.6           | 1.20           | 2.4  | 56J   | <b>B836</b>  | Auto               | Threaded | 13.90         | 12           |
| 2     | 3450 | 230     | 10.5                | 1.20           | 2.4  | 56J   | <b>B130</b>  | Auto               | Threaded | 13.10         | 12           |
| 3     | 3450 | 230     | 14.1                | 1.15           | 3.45 | 56C   | <b>B125</b>  | Auto               | Keyed    | 13.65         |              |
| 3     | 3450 | 230     | 14.1                | 1.15           | 3.45 | 56J   | <b>B131</b>  | Auto               | Threaded | 14.15         | 12           |
| 4     | 3450 | 208-230 | 21.0-19.4           | 1.25           | 5.0  | 56Y   | <b>B116</b>  | Manual             | Special  | 16.78         | 31,34,63,236 |

### Centurion® SE “1081” • Up Rate • Low Service Factor

| HP    | RPM  | Volts   | Service Factor Amps | Service Factor | THP | Frame | Stock Number   | Overload Protector | Shaft    | “C” Dimension | Notes |
|-------|------|---------|---------------------|----------------|-----|-------|----------------|--------------------|----------|---------------|-------|
| 3/4   | 3450 | 230/115 | 4.4/8.8             | 1.00           | .75 | 56J   | <b>B227SE★</b> | Auto               | Threaded | 12.56         | 12    |
| 1     | 3450 | 230/115 | 6.0/12.0            | 1.00           | 1.0 | 56J   | <b>B228SE</b>  | Auto               | Threaded | 12.81         | 12    |
| 1-1/2 | 3450 | 230/115 | 7.2/14.4            | 1.00           | 1.5 | 56J   | <b>B229SE</b>  | Auto               | Threaded | 13.91         | 12    |
| 2     | 3450 | 230/115 | 9.2/18.4            | 1.00           | 2.0 | 56J   | <b>B230SE</b>  | Auto               | Threaded | 14.31         | 12    |
| 2-1/2 | 3450 | 230     | 10.5                | 1.00           | 2.5 | 56J   | <b>B231SE</b>  | Auto               | Threaded | 13.81         | 12    |

### Notes:

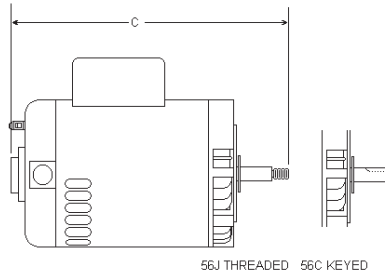
- 12. 303 Stainless steel shaft
- 31. 40 degree C ambient
- 34. Rigid base
- 63. Speck Pump replacement motor
- 236. CCW Rotation facing opposite shaft end

★ Meets California Energy Commission Appliance Regulations 2008  
(Publication Number CEC-400-2006-002-REV1)  
www.energy.ca.gov

### Important:

1. Total output (HP x service factor) of replacement motor must equal or exceed motor being replaced.
2. The pool motors on this page are **NOT equipped with a Safety Vacuum Release System (SVRS)**. SVRS helps prevent drowning due to body entrapment on underwater drains. In some pool configurations, if a person's body covers the drain, the person can be trapped by suction. The SVRS turns off the pump if this occurs.

**⚠ WARNING** Depending on your pool configuration, a SVRS may be required to meet local, state, and federal requirements.



# Century® C-Face Pool and Spa Pump Motors

## Permanent Split Capacitor – Switchless – Single Phase – Dripproof No Base – 3600 3600/1800 RPM 1/2 thru 3 HP

### Features:

- Ball Bearings
- Class B Insulation
- 304 Bearing Shaft End
- 60 Hz
- Rotation: CCW Pump End
- Energy Efficient \$



B638

## E-Plus® Energy Efficient “1081” • Centurion® Motor • Full Rate • Aluminum NEMA “C” Brackets • 50°C Ambient

| HP    | RPM  | Volts       | Service Factor Amps | Service Factor | THP  | Frame | Stock Number  | Overload Protector | Shaft    | “C” Dimension | Notes |
|-------|------|-------------|---------------------|----------------|------|-------|---------------|--------------------|----------|---------------|-------|
| 1/2   | 3450 | 208-230/115 | 4.0-3.7/7.4         | 1.60           | 0.80 | 56J   | <b>B657</b> ★ | Auto               | Threaded | 11.95         | 12,\$ |
| 3/4   | 3450 | 208-230/115 | 5.4-5.0/10.0        | 1.50           | 1.13 | 56J   | <b>B638</b>   | Auto               | Threaded | 12.69         | 12,\$ |
| 1     | 3450 | 208-230/115 | 6.4-5.9/11.8        | 1.40           | 1.40 | 56C   | <b>B653</b>   | Auto               | Keyed    | 12.55         | \$    |
|       |      | 208-230/115 | 6.4-5.9/11.8        | 1.40           | 1.40 | 56J   | <b>B654</b>   | Auto               | Threaded | 13.19         | 12,\$ |
| 1-1/2 | 3450 | 208-230/115 | 8.7-7.8/15.6        | 1.30           | 1.95 | 56C   | <b>B795</b>   | Auto               | Keyed    | 13.19         | \$    |
|       |      | 208-230/115 | 8.7-7.8/15.6        | 1.30           | 1.95 | 56J   | <b>B796</b>   | Auto               | Threaded | 13.55         | 12,\$ |
| 2     | 3450 | 208-230     | 10.4-9.6            | 1.20           | 2.40 | 56C   | <b>B808</b>   | Auto               | Keyed    | 13.65         | \$    |
|       |      | 208-230     | 10.4-9.6            | 1.20           | 2.40 | 56J   | <b>B809</b>   | Auto               | Threaded | 14.15         | 12,\$ |
| 3     | 3450 | 208-230     | 15.0-13.6           | 1.15           | 3.45 | 56C   | <b>B817</b>   | Auto               | Keyed    | 13.65         | \$    |
|       |      | 208-230     | 15.0-13.6           | 1.15           | 3.45 | 56J   | <b>B818</b>   | Auto               | Threaded | 14.15         | 12,\$ |

### Notes:

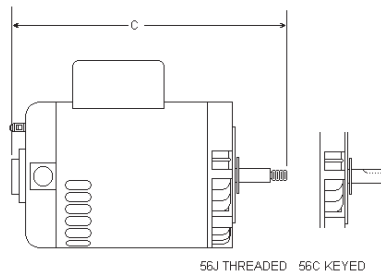
\$ Energy efficient  
12. 303 Stainless steel shaft

★ Meets California Energy Commission Appliance Regulations 2008  
(Publication Number CEC-400-2006-002-REV1)  
[www.energy.ca.gov](http://www.energy.ca.gov)

### Important:

- Total output (HP x service factor) of replacement motor must equal or exceed motor being replaced.
- The pool motors on this page are **NOT equipped with a Safety Vacuum Release System (SVRS)**. SVRS helps prevent drowning due to body entrapment on underwater drains. In some pool configurations, if a person's body covers the drain, the person can be trapped by suction. The SVRS turns off the pump if this occurs.

**⚠ WARNING** Depending on your pool configuration, a SVRS may be required to meet local, state, and federal requirements.



# Century® C-Face Pool and Spa Pump Motors

## Permanent Split Capacitor – Switchless – Single Phase – Dripproof No Base – 3600 3600/1800 RPM 1/2 thru 3 HP

### Features:

- Ball Bearings
- Class B Insulation
- 304 Bearing Shaft End
- 60 Hz
- Rotation: CCW Pump End
- Energy Efficient \$



B971

### Two Speed “1081” • Full Rate • High Service Factor • 40°C Ambient

| HP | RPM | Volts | Service Factor Amps | Service Factor | THP | Frame | Stock Number | Overload Protector | Shaft | “C” Dimension | Notes |
|----|-----|-------|---------------------|----------------|-----|-------|--------------|--------------------|-------|---------------|-------|
|----|-----|-------|---------------------|----------------|-----|-------|--------------|--------------------|-------|---------------|-------|

### High Speed Switchless, Low Speed Microswitch • Aluminum “C” Bracket • Hi-Lo Toggle Switch available (P/N 17590450)

|           |           |     |          |      |      |     |         |      |          |       |             |
|-----------|-----------|-----|----------|------|------|-----|---------|------|----------|-------|-------------|
| 1/2~.06   | 3450/1725 | 115 | 8.8/3.55 | 1.60 | 0.8  | 56C | B970 ★  | Auto | Keyed    | 11.80 | \$          |
| 1/2~.06   | 3450/1725 | 115 | 8.8/3.55 | 1.60 | 0.8  | 56J | B971 ★  | Auto | Threaded | 12.30 | 12,\$       |
| 3/4~.10   | 3450/1725 | 115 | 11.2/5.0 | 1.50 | 1.13 | 56C | B972 ★  | Auto | Keyed    | 11.80 | \$          |
| 3/4~.10   | 3450/1725 | 115 | 11.2/5.0 | 1.50 | 1.13 | 56J | B973 ★  | Auto | Threaded | 12.30 | 1,12,\$     |
| 3/4~.10   | 3450/1725 | 115 | 12.2/2.2 | 1.50 | 1.13 | 56J | B2973 ★ | Auto | Threaded | 12.30 | 12,\$       |
| 1~.12     | 3450/1725 | 230 | 6.3/2.3  | 1.40 | 1.40 | 56C | B974 ★  | Auto | Keyed    | 12.05 | \$          |
| 1~.12     | 3450/1725 | 230 | 6.6/1.5  | 1.25 | 1.25 | 56J | B2975 ★ | Auto | Threaded | 13.05 | 12,\$       |
| 1-1/2~.20 | 3450/1725 | 230 | 8.9/3.1  | 1.30 | 1.95 | 56C | B976 ★  | Auto | Keyed    | 12.54 | \$          |
| 1-1/2~.20 | 3450/1725 | 230 | 8.9/3.1  | 1.30 | 1.95 | 56J | B977 ★  | Auto | Threaded | 13.05 | 12,\$       |
| 1-1/2~.20 | 3450/1725 | 115 | 14.6/4.4 | 1.10 | 1.65 | 56J | B969 ★  | Auto | Threaded | 13.54 | 12,63,90,\$ |
| 2~.25     | 3450/1725 | 230 | 10.6/3.2 | 1.20 | 2.4  | 56C | B978 ★  | Auto | Keyed    | 13.04 | \$          |
| 2~.25     | 3450/1725 | 230 | 11.0/1.6 | 1.20 | 2.4  | 56J | B2979 ★ | Auto | Threaded | 13.55 | 12,\$       |
| 3~.38     | 3450/1725 | 230 | 13.8/4.0 | 1.15 | 3.45 | 56J | B966 ★  | Auto | Threaded | 14.29 | 12,\$       |

### Notes:

\$ Energy efficient

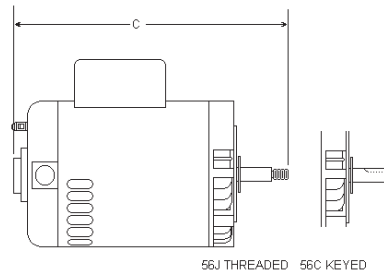
1. Item to be discontinued when stock is depleted
12. 303 Stainless steel shaft
63. Speck Pump replacement motor
90. 50 degree C ambient

★ Meets California Energy Commission Appliance Regulations 2008 (Publication Number CEC-400-2006-002-REV1)  
www.energy.ca.gov

### Important:

1. Total output (HP x service factor) of replacement motor must equal or exceed motor being replaced.
2. The pool motors on this page are **NOT equipped with a Safety Vacuum Release System (SVRS)**. SVRS helps prevent drowning due to body entrapment on underwater drains. In some pool configurations, if a person's body covers the drain, the person can be trapped by suction. The SVRS turns off the pump if this occurs.

**⚠ WARNING** Depending on your pool configuration, a SVRS may be required to meet local, state, and federal requirements.



# Two Compartment Square Flange Pool Filter Motors Single Speed & Energy Efficient

Used on many Sta-Rite, Red Jacket, Pac Fab and American Products.

## Features:

- Auto Protector
- Class B Insulation
- Rotation: CCW Pump End
- Sealed Ball Bearings
- 60 Hz
- Capacitor Start
- Open Dripproof
- 303 Stainless Steel Threaded Shaft
- 50°C Ambient
- UL1081



SQ1032



SQ1152

## HIGH SERVICE FACTOR (FULL RATED)

| HP    | RPM  | Volts       | Max. Amps | Service Factor | THP  | Frame | Stock Number    | Approx. "AG" | Notes |
|-------|------|-------------|-----------|----------------|------|-------|-----------------|--------------|-------|
| 1/3   | 3450 | 115/230     | 9.9/5.0   | 1.95           | 0.64 | 48Y   | <b>SQ1032</b>   | 11-1/8       |       |
| 1/2   | 3450 | 115/230     | 13.4/6.7  | 1.9            | 0.95 | 48Y   | <b>SQ1052</b>   | 11-1/2       |       |
| 1/2   | 3450 | 115/230     | 9.6/4.8   | 1.9            | 0.95 | 48Y   | <b>QC1052</b> ★ | 10-7/8       | 20,\$ |
| 3/4   | 3450 | 115/230     | 15.3/7.6  | 1.65           | 1.24 | 48Y   | <b>SQ1072</b>   | 12-1/8       |       |
| 3/4   | 3450 | 115/230     | 12.6/6.3  | 1.65           | 1.24 | 48Y   | <b>QC1072</b>   | 11-1/4       | 20,\$ |
| 1     | 3450 | 115/230     | 19.2/9.6  | 1.65           | 1.65 | 48Y   | <b>SQ1102</b>   | 13-1/8       |       |
| 1     | 3450 | 115/208-230 | 16.0/8.0  | 1.65           | 1.65 | 48Y   | <b>QC1102</b>   | 11-7/8       | 20,\$ |
| 1-1/2 | 3450 | 230         | 10.4      | 1.47           | 2.21 | 48Y   | <b>SQ1152</b>   | 13-1/4       | 20,\$ |
| 2     | 3450 | 230         | 11.2      | 1.3            | 2.6  | 48Y   | <b>SQ1202</b>   | 13-7/8       | 20,\$ |
| 3     | 3450 | 230         | 15.4      | 1.15           | 3.45 | 56Y   | <b>SQ1302V1</b> | 14           | 20,\$ |

## LOW SERVICE FACTOR (UP-RATED)

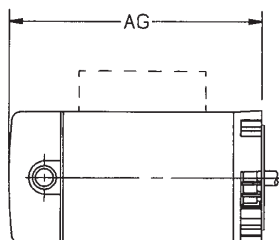
| HP    | RPM  | Volts   | Max. Amps | Service Factor | THP  | Frame | Stock Number     | Approx. "AG" | Notes |
|-------|------|---------|-----------|----------------|------|-------|------------------|--------------|-------|
| 1/2   | 3450 | 115/230 | 9.9/5.0   | 1.3            | 0.65 | 48Y   | <b>USQ1052</b>   | 11-1/8       |       |
| 3/4   | 3450 | 115/230 | 13.4/6.7  | 1.27           | 0.95 | 48Y   | <b>USQ1072</b>   | 11-1/2       |       |
| 3/4   | 3450 | 115/230 | 9.6/4.8   | 1.27           | 0.95 | 48Y   | <b>UQC1072</b> ★ | 10-7/8       | 20,\$ |
| 1     | 3450 | 115/230 | 15.3/7.6  | 1.25           | 1.25 | 48Y   | <b>USQ1102</b>   | 12-1/8       |       |
| 1     | 3450 | 115/230 | 12.6/6.3  | 1.25           | 1.25 | 48Y   | <b>UQC1102</b>   | 11-1/4       | 20,\$ |
| 1-1/2 | 3450 | 115/230 | 19.2/9.6  | 1.1            | 1.65 | 48Y   | <b>USQ1152</b>   | 13-1/8       |       |
| 1-1/2 | 3450 | 115/230 | 16.0/8.0  | 1.1            | 1.65 | 48Y   | <b>UQC1152</b>   | 13-1/4       | 20,\$ |
| 2     | 3450 | 230     | 10.4      | 1.1            | 2.1  | 48Y   | <b>USQ1202</b>   | 13-1/4       | 20,\$ |
| 2-1/2 | 3450 | 230     | 11.2      | 1.0            | 2.5  | 48Y   | <b>USQ1252</b>   | 13-7/8       | 20,\$ |

## Notes:

§ Energy efficient

20. § Energy Efficient capacitor start, capacitor run "Conservationist" motor  
See page 247 for mounting dimensions.

★ Meets California Energy Commission Appliance Regulations 2008  
(Publication Number CEC-400-2006-002-REV1)  
www.energy.ca.gov



## Important:

1. Total output (HP x service factor) of replacement motor must equal or exceed motor being replaced.
2. The pool motors on this page are **NOT equipped with a Safety Vacuum Release System (SVRS)**. SVRS helps prevent drowning due to body entrapment on underwater drains. In some pool configurations, if a person's body covers the drain, the person can be trapped by suction. The SVRS turns off the pump if this occurs.

**⚠ WARNING** Depending on your pool configuration, a SVRS may be required to meet local, state, and federal requirements.

# Two Compartment Square Flange Pool Motors • Two Speed

Used on many Sta-Rite, Red Jacket, and Sears Jet and Pool Pumps.

### Features:

- All Copper Windings
- Open Dripproof
- Class B Insulation
- UL1081
- 303 Stainless Steel Threaded Shaft
- Energy Efficient Capacitor Start Low Speed, PSC High Speed
- Auto Protector - Single Phase
- Rotation: CCW Pump End
- 50°C Ambient
- 60 Hz



SQS1152R

Two-speed motors are shipped less hi/lo switch for remote operation.  
End cover and switch assembly kit number 615332 available and sold separately.

### HIGH SERVICE FACTOR (FULL RATED)

| HP        | RPM       | Volts | Amps<br>Hi - Lo | Service<br>Factor | THP  | Frame | Stock<br>Number | Approx.<br>"AG" | Notes |
|-----------|-----------|-------|-----------------|-------------------|------|-------|-----------------|-----------------|-------|
| 3/4~1/8   | 3450/1725 | 115   | 13.0/4.2        | 1.65              | 1.24 | 48Y   | SQL1072R ★      | 12-5/8          | \$    |
| 3/4~1/8   | 3450/1725 | 230   | 6.1/2.1         | 1.60              | 1.20 | 48Y   | SQS1072R ★      | 12-5/8          | \$    |
| 1~1/6     | 3450/1725 | 230   | 7.7/2.8         | 1.65              | 1.65 | 48Y   | SQS1102R ★      | 13-13/16        | \$    |
| 1-1/2~1/4 | 3450/1725 | 230   | 10.0/3.0        | 1.47              | 2.21 | 48Y   | SQS1152R ★      | 13-9/16         | \$    |
| 2~1/3     | 3450/1725 | 230   | 11.3/3.3        | 1.3               | 2.6  | 48Y   | SQS1202R ★      | 13-13/16        | \$    |

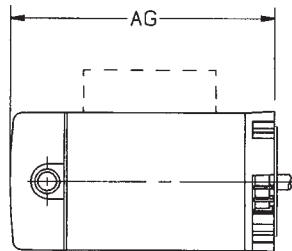
### LOW SERVICE FACTOR (UP-RATED)

| HP        | RPM       | Volts | Amps<br>Hi - Lo | Service<br>Factor | THP  | Frame | Stock<br>Number | Approx.<br>"AG" | Notes |
|-----------|-----------|-------|-----------------|-------------------|------|-------|-----------------|-----------------|-------|
| 1~1/6     | 3450/1725 | 230   | 6.1/2.1         | 1.25              | 1.25 | 48Y   | UQS1102R ★      | 12-5/8          | \$    |
| 1-1/2~1/4 | 3450/1725 | 230   | 7.7/2.8         | 1.1               | 1.65 | 48Y   | UQS1152R ★      | 13-13/16        | \$    |
| 2~1/3     | 3450/1725 | 230   | 10.0/3.0        | 1.1               | 2.2  | 48Y   | UQS1202R ★      | 13-9/16         | \$    |

### Notes:

§ Energy efficient  
See page 247 for mounting dimensions.

★ Meets California Energy Commission Appliance Regulations 2008  
(Publication Number CEC-400-2006-002-REV1)  
[www.energy.ca.gov](http://www.energy.ca.gov)



### Important:

1. Total output (HP x service factor) of replacement motor must equal or exceed motor being replaced.
2. The pool motors on this page are **NOT equipped with a Safety Vacuum Release System (SVRS)**. SVRS helps prevent drowning due to body entrapment on underwater drains. In some pool configurations, if a person's body covers the drain, the person can be trapped by suction. The SVRS turns off the pump if this occurs.

**⚠ WARNING** Depending on your pool configuration, a SVRS may be required to meet local, state, and federal requirements.



# Century® Pool and Spa Pump Motors Square Flange

## Permanent Split Capacitor – Switchless – Single Phase – Dripproof No Base – 3600 and 3600/1800 RPM 1/2 thru 3 HP

### Features:

- Ball Bearings
- 50°C Ambient
- Rotation: CCW Pump End
- \$ Energy Efficient
- 60 Hz
- Class B Insulation
- Stainless Steel Shafts



B2661



B845

| HP   | RPM  | Volts       | Service Factor Amps | Service Factor | THP  | Frame | Stock Number   | Shaft    | Overload Protector | "C" Dim. | Notes |
|--|------|-------------|---------------------|----------------|------|-------|----------------|----------|--------------------|----------|-------|
| <b>Centurion® "1081" • Full Rate • High Service Factor</b>         |      |             |                     |                |      |       |                |          |                    |          |       |
| 1/2  | 3450 | 230/115     | 5.4/10.8            | 1.95           | 0.98 | 56Y   | <b>B2846</b> ★ | Threaded | Auto               | 12.4     |       |
| 3/4  | 3450 | 230/115     | 7.1/14.2            | 1.65           | 1.24 | 56Y   | <b>B2847</b>   | Threaded | Auto               | 12.4     |       |
| 1  | 3450 | 230/115     | 8.0/16.0            | 1.65           | 1.65 | 56Y   | <b>B2848</b>   | Threaded | Auto               | 12.8     |       |
| 1-1/2  | 3450 | 230/115     | 10.5/21.0           | 1.50           | 2.25 | 56Y   | <b>B2858</b>   | Threaded | Auto               | 14.4     |       |
| 1-1/2  | 3450 | 230         | 10.0                | 1.50           | 2.25 | 56Y   | <b>B849</b>    | Threaded | Auto               | 13.4     |       |
| 2  | 3450 | 230         | 11.5                | 1.30           | 2.6  | 56Y   | <b>B2748</b>   | Threaded | Auto               | 13.4     |       |
| <b>Centurion® "1081" • Up-Rate • Low Service Factor</b>            |      |             |                     |                |      |       |                |          |                    |          |       |
| 3/4  | 3450 | 230/115     | 5.4/10.8            | 1.25           | 0.94 | 56Y   | <b>B2852</b> ★ | Threaded | Auto               | 12.4     |       |
| 1  | 3450 | 230/115     | 7.1/14.2            | 1.25           | 1.25 | 56Y   | <b>B2853</b>   | Threaded | Auto               | 12.4     |       |
| 1-1/2  | 3450 | 230/115     | 8.0/16.0            | 1.10           | 1.65 | 56Y   | <b>B2854</b>   | Threaded | Auto               | 12.8     |       |
| 2  | 3450 | 230/115     | 11.2/22.4           | 1.10           | 2.2  | 56Y   | <b>B2859</b>   | Threaded | Auto               | 14.4     |       |
| 2  | 3450 | 230         | 10.0                | 1.10           | 2.2  | 56Y   | <b>B855</b>    | Threaded | Auto               | 13.4     |       |
| 2-1/2  | 3450 | 230         | 11.5                | 1.04           | 2.6  | 56Y   | <b>B2840</b>   | Threaded | Auto               | 13.4     |       |
| <b>E-Plus® Energy Efficient "1081" • New Centurion • Full Rate</b> |      |             |                     |                |      |       |                |          |                    |          |       |
| 1/2  | 3450 | 208-230/115 | 4.5-4.4/8.8         | 1.90           | 0.95 | 56Y   | <b>B845</b> ★  | Threaded | Auto               | 12.4     | \$    |
| 3/4  | 3450 | 115/208-230 | 6.0-5.6/11.2        | 1.67           | 1.25 | 56Y   | <b>B2661</b>   | Threaded | Auto               | 13.1     |       |
| 1  | 3450 | 115/208-230 | 7.8-7.4/14.8        | 1.65           | 1.65 | 56Y   | <b>B2841</b>   | Threaded | Auto               | 13.4     | 1     |
| 1  | 3450 | 115/208-230 | 7.8-7.4/14.8        | 1.65           | 1.65 | 56Y   | <b>B2841V1</b> | Threaded | Auto               | 13.4     |       |
| 1-1/2  | 3450 | 208-230     | 9.6-8.8             | 1.47           | 2.21 | 56Y   | <b>B2842</b>   | Threaded | Auto               | 13.9     |       |
| 2  | 3450 | 208-230     | 11.0-10.2           | 1.30           | 2.6  | 56Y   | <b>B2843</b>   | Threaded | Auto               | 14.4     |       |
| 3  | 3450 | 208-230     | 15.0-13.6           | 1.15           | 3.45 | 56Y   | <b>B2844</b>   | Threaded | Auto               | 14.4     |       |

### Notes:

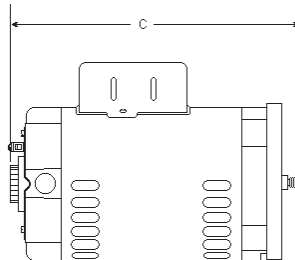
1. Item to be discontinued when stock is depleted

\$ Energy efficient

★ Meets California Energy Commission Appliance Regulations 2008

(Publication Number CEC-400-2006-002-REV1)

www.energy.ca.gov



### Important:

1. Total output (HP x service factor) of replacement motor must equal or exceed motor being replaced.
2. The pool motors on this page are **NOT equipped with a Safety Vacuum Release System (SVRS)**. SVRS helps prevent drowning due to body entrapment on underwater drains. In some pool configurations, if a person's body covers the drain, the person can be trapped by suction. The SVRS turns off the pump if this occurs.

**⚠ WARNING** Depending on your pool configuration, a SVRS may be required to meet local, state, and federal requirements.

# Century® Pool and Spa Pump Motors Square Flange

## New from Century® - High Efficiency two-speed motors.

New Centurion High Efficiency two-speed motors have PSC (Permanent Split Capacitor) high speeds and capacitor start/capacitor run low speeds.

## New Centurion High Efficiency Two-Speed Pool and Spa Motors

### Features:

- Ball Bearing
- Class B Insulation
- 50°C Ambient
- \$ High Efficient High and Low Speed
- Open Dripproof
- Permanent Split Capacitor
- Rotation: CCW Pump End
- Single Phase
- 303 Stainless Steel Shafts



B2980

### TWO-SPEED - "1081" - PSC ENERGY EFFICIENT HIGH SPEED - CAP. START/CAP. RUN LOW SPEED - SQUARE FLANGE - FULL RATE

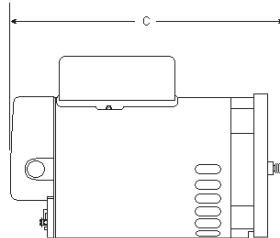
| HP        | RPM       | Volts | Service Factor | Amps | Service Factor | THP | Frame   | Stock Number | Shaft | Overload Protector | Length Includ. Shaft | Notes |
|-----------|-----------|-------|----------------|------|----------------|-----|---------|--------------|-------|--------------------|----------------------|-------|
| 3/4~.10   | 3450/1725 | 230   | 6.0/1.0        | 1.67 | 1.25           | 56Y | B2980 ★ | Threaded     | Auto  | 13.1               | \$                   |       |
| 3/4~.10   | 3450/1725 | 115   | 12.4/2.2       | 1.67 | 1.25           | 56Y | B2981 ★ | Threaded     | Auto  | 13.1               | \$                   |       |
| 1~.13     | 3450/1725 | 230   | 7.4/1.4        | 1.65 | 1.65           | 56Y | B2982 ★ | Threaded     | Auto  | 13.4               | \$                   |       |
| 1-1/2~.19 | 3450/1725 | 230   | 10.0/1.6       | 1.47 | 2.21           | 56Y | B2983 ★ | Threaded     | Auto  | 13.9               | \$                   |       |
| 2~.25     | 3450/1725 | 230   | 11.0/1.8       | 1.30 | 2.60           | 56Y | B2984 ★ | Threaded     | Auto  | 14.4               | \$                   |       |
| 2~.33     | 3450/1725 | 230   | 10.0/3.5       | 1.10 | 2.20           | 56Y | B985 ★  | Threaded     | Auto  | 14.4               | 107,\$               |       |
| 3.0~.38   | 3450/1725 | 230   | 15.0/2.6       | 1.15 | 3.45           | 56Y | B2987 ★ | Threaded     | Auto  | 14.38              | \$                   |       |

### Notes:

\$ Energy efficient

107. Uprated - low service factor

★ Meets California Energy Commission Appliance Regulations 2008 (Publication Number CEC-400-2006-002-REV1) [www.energy.ca.gov](http://www.energy.ca.gov)



### Important:

1. Total output (HP x service factor) of replacement motor must equal or exceed motor being replaced.
2. The pool motors on this page are **NOT equipped with a Safety Vacuum Release System (SVRS)**. SVRS helps prevent drowning due to body entrapment on underwater drains. In some pool configurations, if a person's body covers the drain, the person can be trapped by suction. The SVRS turns off the pump if this occurs.

**⚠ WARNING** Depending on your pool configuration, a SVRS may be required to meet local, state, and federal requirements.

# Above Ground Swimming Pool & Spa Pump Motors

## Jetted Tub/Spa/Above Ground Swimming Pool Pump Motors – Split Phase, Capacitor Start & PSC Single-phase – Drip-proof – Ball Bearing – Rigid Base & No Base – 3450 and 3450/1725 RPM – 1/2 thru 4 HP SP

### Features:

- 12 & 3 O'clock Conduit Entries
- 40°C Ambient
- Class B Insulation
- Rotation: CCW Pump End
- Through Bolt Mount
- 48/56 Base Mounting
- 3-1/2" Shaft Height
- Four Thru Bolts on a 5.146 Bolt Circle



BN35SS

**Applications:** Spa, above ground swimming pool and jetted tub pumps.

Optional Flex-48 Accessories: Airswitch (#17800901), Single-speed Toggle Switch Assy. - On/Off (#18374501), Day/Night Controller (#18602400), Two-speed Toggle Switch Assy. - Lo/Off/Hi (#18313301)

### Century Flex-48 W/Stainless Steel Shaft & Ball Bearings • “1081” • “1795” • “1563” • Rigid Base

| HP    | RPM  | Volts   | Hz | Full Load Amps | Service Factor | THP  | Frame | Stock Number | Shaft    | Overload Protector | “C” Dim. | Notes |
|-------|------|---------|----|----------------|----------------|------|-------|--------------|----------|--------------------|----------|-------|
| 1/2   | 3450 | 115     | 60 | 7.2            | 1.0            | 0.5  | 48Y   | BN23V1       | Threaded | Auto               | 11.08    |       |
| 3/4   | 3450 | 115     | 60 | 9.8            | 1.0            | 0.75 | 48Y   | BN24V1       | Threaded | Auto               | 11.08    | 90    |
| 1     | 3450 | 115     | 60 | 12.0           | 1.0            | 1.0  | 48Y   | BN25V1       | Threaded | Auto               | 11.58    |       |
| 1-1/2 | 3450 | 230/115 | 60 | 8.0/16.0       | 1.0            | 1.5  | 48Y   | BN35SS       | Threaded | Auto               | 12.08    | 1,45  |
| 1-1/2 | 3450 | 230/115 | 60 | 8.0/16.0       | 1.0            | 1.5  | 48Y   | BN35V1       | Threaded | Auto               | 12.08    | 45    |
| 1-1/2 | 3450 | 115     | 60 | 17.0           | 1.0            | 1.5  | 48Y   | BV35V1       | Threaded | Auto               | 12.08    |       |
| 2     | 3450 | 230/115 | 60 | 10.0/20.0      | 1.0            | 2.0  | 48Y   | BN40SS       | Threaded | Auto               | 13.33    | 45    |

### Century Flex 48 LASAR® Line (Low Amp Start and Run) • Two-speed • “1081” • “1563” • Rigid Base

|           |           |     |    |          |     |      |     |        |          |      |       |    |
|-----------|-----------|-----|----|----------|-----|------|-----|--------|----------|------|-------|----|
| 3/4~.10   | 3450/1725 | 115 | 60 | 8.8/2.6  | 1.0 | 0.75 | 48Y | BN36   | Threaded | Auto | 12.08 |    |
| 1~.12     | 3450/1725 | 115 | 60 | 11.0/2.9 | 1.0 | 1.0  | 48Y | BN37V1 | Threaded | Auto | 12.08 | 45 |
| 1-1/2~.25 | 3450/1725 | 115 | 60 | 16.4/4.4 | 1.0 | 1.5  | 48Y | BN50V1 | Threaded | Auto | 12.83 | 45 |
| 1-1/2~.18 | 3450/1725 | 230 | 60 | 6.5/2.5  | 1.0 | 1.5  | 48Y | BN34V1 | Threaded | Auto | 12.83 | 45 |
| 2~.25     | 3450/1725 | 230 | 60 | 10.5/2.6 | 1.0 | 2.0  | 48Y | BN51   | Threaded | Auto | 13.33 | 45 |

### Century Flex 48 LASAR-XL • Extra Low Running Amps • Two-speed • Rigid Base

|             |           |         |    |          |     |     |     |        |          |      |       |              |
|-------------|-----------|---------|----|----------|-----|-----|-----|--------|----------|------|-------|--------------|
| 2~.25       | 3450/1725 | 230     | 60 | 8.5/2.8  | 1.0 | 2.0 | 48Y | BN61 ★ | Threaded | Auto | 13.33 | 68,145,\$    |
| 3~.38       | 3450/1725 | 230     | 60 | 12.0/3.5 | 1.0 | 3.0 | 48Y | BN62 ★ | Threaded | Auto | 14.33 | 68,90,145,\$ |
| 4.0~.42 SPL | 3450/1725 | 208-230 | 60 | 12.0/3.5 | 1.0 | 4.0 | 48Y | BN63 ★ | Threaded | Auto | 14.33 | 68,90,145,\$ |

### Notes:

★ Energy efficient

1. Item to be discontinued when stock is depleted

45. Capacitor start

68. PSC Motor

90. 50°C Ambient

145. Run capacitor mounted on motor shell

★ Meets California Energy Commission Appliance Regulations 2008

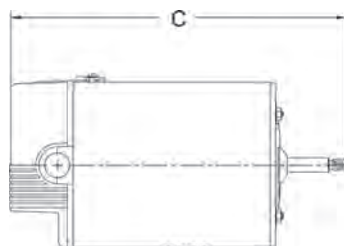
(Publication Number CEC-400-2006-002-REV1)

www.energy.ca.gov

### Important:

The pool motors on this page are **NOT** equipped with a **Safety Vacuum Release System (SVRS)**. SVRS helps prevent drowning due to body entrapment on underwater drains. In some pool configurations, if a person's body covers the drain, the person can be trapped by suction. The SVRS turns off the pump if this occurs.

**⚠ WARNING** Depending on your pool configuration, a SVRS may be required to meet local, state, and federal requirements.



# Century® 56-Frame Two-Speed Replacement Spa Motors

## Dripproof - 60 HZ - Single Phase - Rigid Base - 6-1/2" Diameter - 3-1/2" Shaft Height

### Features:

- PSC on High Speed
- E-Plus New Centurion Design
- Cap Start/Cap Run on Low Speed
- 50°C Ambient
- 3/8-16 UNC-2A Threads Includes Slinger
- Four Thru Bolts on a 5.812 Bolt Circle



B236

| Status      | HP-SPL*       | RPM       | Volts | Amps (A)**   | Frame | Stock Number | Insul. Class | "C" Dim. | Replaces Waterway # | Replaces OEM # | Replaces Stock # | Notes |
|-------------|---------------|-----------|-------|--------------|-------|--------------|--------------|----------|---------------------|----------------|------------------|-------|
| <b>NEW!</b> | 1.0 ~ .13 SPL | 3450/1725 | 230   | 6.0/1.2 (A)  | 56Y   | B2232★       | F            | 11.99    | 3720621             | 187692         | B232             | 108   |
| <b>NEW!</b> | 2.0 ~ .25 SPL | 3450/1725 | 230   | 7.4/1.4 (A)  | 56Y   | B2233★       | F            | 12.24    | 3721021             | 187693         | B233             | 108   |
|             | 2.5 ~ .31 SPL | 3450/1725 | 230   | 11.6/3.0 (A) | 56Y   | B2242★       | F            | 13.24    | -                   | -              | -                | 108   |
| <b>NEW!</b> | 3.0 ~ .38 SPL | 3450/1725 | 230   | 10.0/1.8 (A) | 56Y   | B2234★       | F            | 12.74    | 3721421             | 187694         | B234             | 108   |
| <b>NEW!</b> | 4.0 ~ .50 SPL | 3450/1725 | 230   | 12.0/3.0     | 56Y   | B2235★       | F            | 13.49    | 3721621             | 187563         | B235             | 108   |
|             | 5.0 ~ .63 SPL | 3450/1725 | 230   | 16.4/4.8     | 56Y   | B236★        | F            | 13.37    | 3722021             | 187098         | -                | 108   |
|             | 4.0 SPL       | 3450      | 230   | 12.0         | 56Y   | B237         | B            | 12.62    | 3711821             | 187624         | -                | -     |
|             | 5.0 SPL       | 3450      | 230   | 16.4         | 56Y   | B238         | B            | 13.37    | 3712021             | 187970         | -                | -     |

### Notes:

\*HP-SPL means Horsepower – Special The reference chart provided below lists the horsepower and horsepower Amps at 1.0 service factor in relation to the HP-SPL ratings.

\*\* (A) Max Load Amp Rating – As a guideline, at 230V ± 10% voltage, do not load motor above this Amp rating. Amp draw differences between the premium efficiency E-Plus New Centurion design (e.g. B2233) and the slightly less efficient discontinued Centurion design (e.g. B233) is attributable in part to the addition of a run capacitor on low speed. Use of Amp data to determine the correct replacement is not recommended. Instead, refer to the chart for the correct stock number to replace either an original Waterway pump motor or the now discontinued Centurion stock motor.

108. Two speed motor

★ Meets California Energy Commission Appliance Regulations 2008 Publication Number CEC-400-2006-002-REV1 [www.energy.ca.gov](http://www.energy.ca.gov)

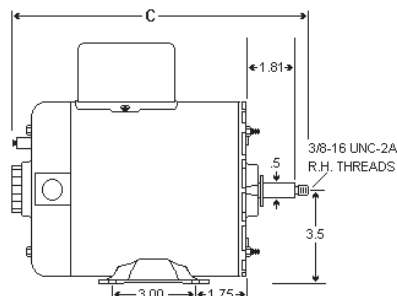
| STOCK No.                    | B2232                    | B2233                    | B2234                    | B2235                    | B236                     | B237               | B238               |
|------------------------------|--------------------------|--------------------------|--------------------------|--------------------------|--------------------------|--------------------|--------------------|
| <b>HP-SPL</b>                | 1.0 ~ .13 <sub>SPL</sub> | 2.0 ~ .25 <sub>SPL</sub> | 3.0 ~ .38 <sub>SPL</sub> | 4.0 ~ .50 <sub>SPL</sub> | 5.0 ~ .63 <sub>SPL</sub> | 4.0 <sub>SPL</sub> | 5.0 <sub>SPL</sub> |
| <b>HP (at 1.0 S.F.)</b>      | 1.0 / .12                | 1.5 / .19                | 2.0 / .25                | 3.0 / .38                | 4.0 / .50                | 3.0                | 4.0                |
| <b>HP Amps (at 1.0 S.F.)</b> | 4.8 / .8                 | 6.4 / 1.2                | 8.8 / 1.6                | 12.0 / 3.0               | 16.4 / 4.8               | 12.0               | 16.4               |

### Discontinued Centurion Stock Number Reference

| Disc. Stock Number | HP-SPL*       | RPM       | Volts | Amps (A)**   | Replaces Waterway# |
|--------------------|---------------|-----------|-------|--------------|--------------------|
| B232               | 1.0 ~ .18 SPL | 3450/1725 | 230   | 6.4/2.6 (A)  | 3720621            |
| B233               | 2.0 ~ .25 SPL | 3450/1725 | 230   | 8.0/3.0 (A)  | 3721021            |
| B234               | 3.0 ~ .30 SPL | 3450/1725 | 230   | 10.0/3.5 (A) | 3721421            |
| B235               | 4.0 ~ .50 SPL | 3450/1725 | 230   | 12.0/4.4     | 3721621            |

### Important:

1. Total output (HP x service factor) of replacement motor must equal or exceed motor being replaced.
2. The pool motors on this page are **NOT equipped with a Safety Vacuum Release System (SVRS)**. SVRS helps prevent drowning due to body entrapment on underwater drains. In some pool configurations, if a person's body covers the drain, the person can be trapped by suction. The SVRS turns off the pump if this occurs.  
**⚠ WARNING** Depending on your pool configuration, a SVRS may be required to meet local, state, and federal requirements.



# Sta-Rite Direct Replacement Spa Motors

## Features:

- Open Construction
- Threaded Shaft
- 1.0 Service Factor
- Rotation: CCW Pump End
- Rigid Base
- Through Bolt Mount
- \$ Energy Efficient
- 2-Speed (Capacitor Start Low Speed, PSC High Speed)
- Sealed Ball Bearings
- 50°C Ambient
- Auto Protector



Four Thru Bolts on a 5.146 Bolt Circle Replacement Motor for Dimension One, Hydroquip, GPM Industries, Hawkeye, Marquis and Master Spas

| HP      | RPM       | Volts | Amps     | Service Factor | THP | Frame | Stock Number | Insulation Class | Approx. "AG" | Dim. "BX" | Notes |
|---------|-----------|-------|----------|----------------|-----|-------|--------------|------------------|--------------|-----------|-------|
| 1.0-.12 | 3450/1725 | 115   | 10.4/3.6 | 1.0            | 1.0 | 56Z   | SDS1102 ★    | B                | 10.30        | 8.85      | \$    |
| 1.5-.19 | 3450/1725 | 230   | 7.2/2.4  | 1.0            | 1.5 | 56Z   | SDS1152 ★    | F                | 10.79        | 9.34      | \$    |
| 2.0-.25 | 3450/1725 | 230   | 8.5/3.0  | 1.0            | 2.0 | 56Z   | SDS1202 ★    | F                | 11.42        | 9.98      | \$    |
| 2.5-.25 | 3450/1725 | 230   | 10.7/3.0 | 1.0            | 2.5 | 56Z   | SDS1252 ★    | F                | 10.67        | 9.23      | \$    |
| 3.0-.38 | 3450/1725 | 230   | 12.0/3.7 | 1.0            | 3.0 | 56Z   | SDS1302 ★    | F                | 10.92        | 9.48      | \$    |

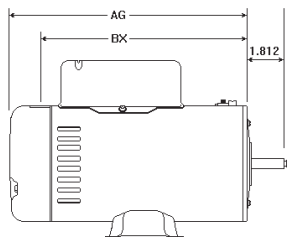
## Note:

\$ Energy efficient

When crossing to an original equipment Century Motor, use the Quick Cross Reference table. Find the amps and model number of the OEM motor on the motor nameplate. Find the equivalent amps and model number on the Quick Cross Reference table below. The replacement is the stock number listed in the "Use" column. The horsepower and service factor may not be the same, but the motors are the same.

| QUICK CROSS REFERENCE BY AMPS AND MOTOR MODEL NUMBER |                      |               |
|--|----------------------|---------------|
| Name Plate Amps                                      | Name Plate Model No. | Use Stock No. |
| 10.4/3.6   | K48L2A1              | SDS1102       |
| 7.2/2.4  | K48M2A4              | SDS1152       |
| 8.5/3.0  | K48N2A5              | SDS1202       |
| 10.7/3.0   | K48N2A4C2            | SDS1252       |
| 12.0/3.7   | K48P2A1              | SDS1302       |

★ Meets California Energy Commission Appliance Regulations 2008  
(Publication Number CEC-400-2006-002-REV1)  
[www.energy.ca.gov](http://www.energy.ca.gov)



## Important:

The pool motors on this page are **NOT equipped with a Safety Vacuum Release System (SVRS)**. SVRS helps prevent drowning due to body entrapment on underwater drains. In some pool configurations, if a person's body covers the drain, the person can be trapped by suction. The SVRS turns off the pump if this occurs.

**⚠ WARNING** Depending on your pool configuration, a SVRS may be required to meet local, state, and federal requirements.

# Above Ground Swimming Pool & Spa Pump Motors

## Jetted Tub/Spa/Above Ground Swimming Pool Pump Motors – Split Phase, Capacitor Start & PSC Single-phase – Drip-proof – Ball Bearing – Rigid Base & No Base – 3450 and 3450/1725 RPM – 1/2 thru 4 HP SP



### Hoffinger Replacement (Doughboy/Lomart) • No Base

| HP | RPM  | Volts | Hz | Full Load Amps | Service Factor | THP | Frame | Stock Number | Shaft    | Overload Protector | “C” Dim. | Notes |
|----|------|-------|----|----------------|----------------|-----|-------|--------------|----------|--------------------|----------|-------|
| 1  | 3450 | 115   | 60 | 10.0           | 1.0            | 1.0 | 48Y   | BV90         | Threaded | Auto               | 10.45    |       |
| 1  | 3450 | 115   | 60 | 9.0            | 1.0            | 1.0 | 48Y   | BV91         | Threaded | Auto               | 10.22    | 285   |

**Notes:**

285. 3/8-16, Left hand threads, CWPE rotation

★ Meets California Energy Commission Appliance Regulations 2008 (Publication Number CEC-400-2006-002-REV1) [www.energy.ca.gov](http://www.energy.ca.gov)

## Century® Pool Cleaner Replacement Pump Motors

### Permanent Split Capacitor – Switchless – Single Phase – Drip-proof No Base & Rigid Base – 3600 RPM

**Features:**

- Ball Bearings
- CW Non-Reversible
- Aluminum Adapter Bracket
- 40°C Ambient
- 303 Stainless Steel Shaft
- 60 Hz
- Class B Insulation
- “1081” Features



B662 & B663

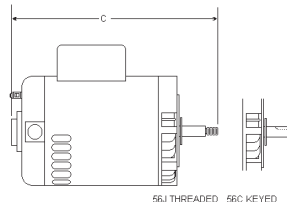
**Applications:** Replacement motor for Arneson “Pool Sweep,” Polaris “Vac-Sweep” and Letro “Jet Vac” brand pool cleaners.

| HP  | RPM  | Volts   | Service Factor | Service Amps | THP  | Frame | Stock Number | Shaft    | Base  | Mount      | Overload Protector | “C” Dim. | Brand   | Notes  |
|-----|------|---------|----------------|--------------|------|-------|--------------|----------|-------|------------|--------------------|----------|---------|--------|
| 3/4 | 3450 | 230/115 | 6.4/12.8       | 1.50         | 1.13 | 56CZ  | B625         | Threaded | None  | Horizontal | Auto               | 14.03    | Polaris | 222    |
| 3/4 | 3450 | 230/115 | 6.0/12.0       | 1.50         | 1.13 | 56Y   | B662         | Threaded | Rigid | Horizontal | Auto               | 11.74    | Arneson | 12     |
| 3/4 | 3450 | 230/115 | 6.0/12.0       | 1.50         | 1.13 | 56Y   | B663         | Threaded | None  | Vertical   | Auto               | 10.89    | Arneson | 12     |
| 3/4 | 3450 | 230/115 | 6.0/12.0       | 1.50         | 1.13 | 56Y   | B667         | Threaded | Rigid | Horizontal | Auto               | 12.97    | Letro   | 12,247 |
| 3/4 | 3450 | 230/115 | 6.5/13.0       | 1.50         | 1.13 | 56CZ  | B668         | Threaded | None  | Horizontal | Auto               | 13.87    | Letro   | 246    |

**Notes:**

- 12. 303 Stainless steel shaft
- 222. Does not have Aluminum Adapter Bracket
- 246. B668 fits pump #LA01N manufactured March 1997 to present
- 247. B667 fits pump #LA01 manufactured March 1997 and prior

Pool Cleaner (Booster Pump) motors are not included in the California Energy Commission Appliance Regulations 2006 (Publication Number CEC 400-2006-002 REV 1)



**Important:**

1. Total output (HP x service factor) of replacement motor must equal or exceed motor being replaced.
2. The pool motors on this page are **NOT equipped with a Safety Vacuum Release System (SVRS)**. SVRS helps prevent drowning due to body entrapment on underwater drains. In some pool configurations, if a person's body covers the drain, the person can be trapped by suction. The SVRS turns off the pump if this occurs.

**⚠ WARNING** Depending on your pool configuration, a SVRS may be required to meet local, state, and federal requirements.



# Century® Purex Replacement Pump Motors

## Horizontal - Dripproof - No Base - 3450 and 3450/2850 RPM - 5 thru 20 HP



**Features:** Ball Bearings • 40°C Ambient • Service Factor 1.15 • Reversible • External Slinger  
**Applications:** Hydrotech (Purex) East Side “L” Series and “C” Series commercial pump.

| HP                                    | RPM  | Volts       | Service Factor | THP   | Hertz | Full Load Amps | Frame | Insul Class | Stock Number | Overload | “C” Dim. | Efficiency | Notes |
|---------------------------------------|------|-------------|----------------|-------|-------|----------------|-------|-------------|--------------|----------|----------|------------|-------|
| <b>Single Phase • Capacitor Start</b> |      |             |                |       |       |                |       |             |              |          |          |            |       |
| 5                                     | 3450 | 230         | 1.15           | 5.75  | 60    | 25.6           | 184TY | B           | V214         | None     | 15.7     | 77.0       | 153   |
| 5                                     | 3450 | 230         | 1.15           | 5.75  | 60    | 25.6           | 184TY | B           | V220         | None     | 15.8     | 77.0       | 152   |
| <b>Three Phase</b>                    |      |             |                |       |       |                |       |             |              |          |          |            |       |
| 5                                     | 3450 | 208-220/440 | 1.15           | 5.75  | 60    | 14.0-13.5/6.75 | 182TY | F           | R237         | None     | 16.2     | 81.0       | 6,153 |
| 5                                     | 3450 | 208-220/440 | 1.15           | 5.75  | 60    | 14.0-13.5/6.75 | 182TY | F           | R236         | None     | 15.0     | 81.0       | 6,152 |
| 7-1/2                                 | 3450 | 208-220/440 | 1.15           | 8.63  | 60    | 21.6-19.4/9.7  | 184TY | F           | R232         | None     | 14.7     | 82.0       | 6,153 |
| 7-1/2                                 | 3480 | 220         | 1.15           | 8.63  | 60    | 21.4           | 184TY | F           | R257         | None     | 14.7     | 82.0       | 153   |
| 10                                    | 3450 | 208-220/440 | 1.15           | 11.5  | 60    | 28.0-26.0/13.0 | 213TY | B           | R338         | None     | 19.4     | 87.5       | 6,153 |
| 15                                    | 3450 | 208-220/440 | 1.15           | 17.25 | 60    | 40.0-38.0/19.0 | 215TY | F           | R339         | None     | 21.4     | 88.6       | 6,153 |

**Notes:**

- 6. 60/50 HZ
- 152. Pump Series: L (threaded)
- 153. Pump Series: C (keyed)

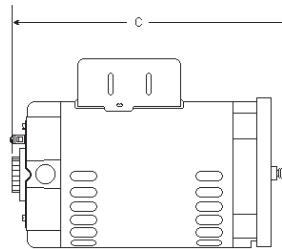
## Century® Pentair/Pac Fab Replacement Pump Motors

### Square Flange - Horizontal - Dripproof - No Base - 60 Hz



**Features:** Ball Bearings • 40°C Ambient • Class B Insulation

| HP                             | RPM  | Volts       | Hertz | Full Load Amps | Service Factor | THP  | Frame | Stock Number | Pac Fab Number | “C” Dim. | Notes |
|--------------------------------|------|-------------|-------|----------------|----------------|------|-------|--------------|----------------|----------|-------|
| <b>Single Phase PSC “1081”</b> |      |             |       |                |                |      |       |              |                |          |       |
| 5                              | 3450 | 208-230     | 60    | 21.0-19.4      | 1.0            | 5    | 56Y   | B1000        | 35-5705        | 14.9     |       |
| <b>Three Phase “1081”</b>      |      |             |       |                |                |      |       |              |                |          |       |
| 3                              | 3450 | 208-230/460 |       |                | 1.15           | 3.45 | 56Y   | H755         |                | 13.9     |       |
| 5                              | 3450 | 208-230/460 | 60    | 13.4-13.4/6.7  | 1.0            | 5    | 56Y   | H995         | 35-5704        | 14.9     |       |



**Important:**

1. Total output (HP x service factor) of replacement motor must equal or exceed motor being replaced.
2. The pool motors on this page are **NOT equipped with a Safety Vacuum Release System (SVRS)**. SVRS helps prevent drowning due to body entrapment on underwater drains. In some pool configurations, if a person's body covers the drain, the person can be trapped by suction. The SVRS turns off the pump if this occurs.

**⚠ WARNING** Depending on your pool configuration, a SVRS may be required to meet local, state, and federal requirements.

# Special Direct Replacement Pump Motors

Important: Total horsepower (HP x service factor) of replacement motor must equal or exceed motor being replaced

## Features:

- Auto Protector
- CCWPE Rotation
- Ball Bearings
- 60 Hz
- Capacitor Start
- Internally Mounted Capacitor
- Continuous Duty
- 40°C Ambient
- High Service Factors
- Sealed Switch Design
- 303 Stainless Steel Thrd. Shafts



## VERTICAL MOUNT - ROUND FLANGE - SINGLE PHASE

| HP  | RPM  | Volts   | Max Amps | Service Factor | Frame | Stock Number | Bearings | Enclosure | Shaft   | Insul. Class | "AG" Dim | Sta-Rite Reference |
|-----|------|---------|----------|----------------|-------|--------------|----------|-----------|---------|--------------|----------|--------------------|
| 1/2 | 3450 | 115/230 | 12.4/6.2 | 1.90           | 48Y   | <b>R1052</b> | Ball     | ODP       | Spl Thd | B            | 9.50     | A200CH             |
| 3/4 | 3450 | 115/230 | 14.8/7.4 | 1.65           | 48Y   | <b>R1072</b> | Ball     | ODP       | Spl Thd | B            | 10.13    | A200DH             |
| 1   | 3450 | 115/230 | 19.2/9.6 | 1.65           | 48Y   | <b>R1102</b> | Ball     | ODP       | Spl Thd | B            | 11.19    | A200EH             |



## ROUND FLANGE - EXTENDED SHAFT - SINGLE PHASE

| HP    | RPM  | Volts   | Max Amps | Service Factor | Frame | Stock Number   | Enclosure | Shaft   | Insul. Class | "AG" Dim | Sta-Rite Reference | Notes |
|-------|------|---------|----------|----------------|-------|----------------|-----------|---------|--------------|----------|--------------------|-------|
| 3/4   | 3450 | 115/230 | 14.8/7.4 | 1.65           | 48Y   | <b>R1072ES</b> | ODP       | Spl Thd | B            | 10.13    | A300DH             |       |
| 1     | 3450 | 115/230 | 19.2/9.6 | 1.65           | 48Y   | <b>R1102ES</b> | ODP       | Spl Thd | B            | 11.19    | A300EH             |       |
| 1 1/2 | 3450 | 230     | 12.0     | 1.47           | 48Y   | <b>R1152ES</b> | ODP       | Spl Thd | B            | 11.94    | A300FH             |       |
| 2     | 3450 | 230     | 11.5     | 1.30           | 48Y   | <b>R1202ES</b> | ODP       | Spl Thd | B            | 11.94    | AE300GH            | 20,\$ |



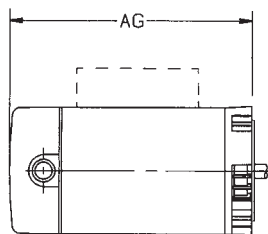
## SQUARE FLANGE - EXTENDED SHAFT - SINGLE PHASE

| HP    | RPM  | Volts   | Max Amps  | Service Factor | Frame | Stock Number   | Bearings | Enclosure | Shaft   | Insul. Class | "AG" Dim. | Sta-Rite Reference |
|-------|------|---------|-----------|----------------|-------|----------------|----------|-----------|---------|--------------|-----------|--------------------|
| 3/4   | 3450 | 115/230 | 14.8/7.4  | 1.65           | 48Y   | <b>Q1072ES</b> | Ball     | ODP       | Spl Thd | B            | 13.13     | A700DH             |
| 1     | 3450 | 115/230 | 19.2/9.6  | 1.65           | 48Y   | <b>Q1102ES</b> | Ball     | ODP       | Spl Thd | B            | 13.5      | A700EH             |
| 1 1/2 | 3450 | 115/230 | 24.0/12.0 | 1.47           | 48Y   | <b>Q1152ES</b> | Ball     | ODP       | Spl Thd | B            | 12.13     | A700FH             |

### Note:

\$ Energy Efficient \$

20. \$ Energy Efficient capacitor start, capacitor run "Conservationist™" motor



# Century® Hayward Northstar Replacement Pump Motors

## NEMA C-Face - Dripproof - No Base - 60 Hz - Energy Efficient



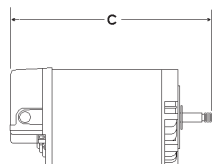
### Features:

- Ball Bearings
- 50°C Ambient
- 303 Stainless Steel Shaft
- Class B Insulation
- 60 Hz
- Low Noise
- Switchless
- E-Coated Main Frame for Superior Corrosion Resistance
- Cool Running for Longer Winding Life

| HP                | RPM  | Volts       | Full Load Amps | Service Factor | THP  | Frame | Stock Number | Industry Number | "C" Dim. | Notes |
|-------------------|------|-------------|----------------|----------------|------|-------|--------------|-----------------|----------|-------|
| <b>Full Rated</b> |      |             |                |                |      |       |              |                 |          |       |
| 3/4               | 3450 | 208-230/115 | 6.0-5.5/11.0   | 1.85           | 1.39 | 56J   | SN1072       | SP1607Z1BNSC    | 13.10    | \$    |
| 1                 | 3450 | 208-230/115 | 8.5-7.8/15.6   | 1.85           | 1.85 | 56J   | SN1102       | SP1610Z1BNSC    | 13.35    | \$    |
| 1-1/2             | 3450 | 208-230/115 | 11.0-10.2/20.4 | 1.60           | 2.4  | 56J   | SN1152       | SP1615Z1BNSC    | 13.85    | \$    |
| 2                 | 3450 | 208-230     | 13.0-11.8      | 1.35           | 2.7  | 56J   | SN1202       | SP1620Z1BNSC    | 14.60    | \$    |
| 3                 | 3450 | 208-230     | 20.6-19.0      | 1.60           | 4.8  | 56J   | SN1302       | SP1630Z1BNSC    | 16.10    | \$    |
| <b>Up-rated</b>   |      |             |                |                |      |       |              |                 |          |       |
| 1                 | 3450 | 208-230/115 | 6.0-5.5/11.0   | 1.40           | 1.40 | 56J   | USN1102      | Sp1607Z1MNSC    | 13.10    | \$    |
| 1-1/2             | 3450 | 208-230/115 | 8.5-7.8/15.6   | 1.25           | 1.88 | 56J   | USN1152      | SP1610Z1MNSC    | 13.35    | \$    |
| 2                 | 3450 | 208-230/115 | 11.0-10.2/20.4 | 1.20           | 2.4  | 56J   | USN1202      | SP1615Z1MNSC    | 13.85    | \$    |
| 2-1/2             | 3450 | 208-230     | 13.0-11.8      | 1.10           | 2.75 | 56J   | USN1252      | SP1620Z1MNSC    | 14.60    | \$    |
| 3                 | 3450 | 208-230     | 16.0-14.8      | 1.20           | 3.6  | 56J   | USN1302      | SP1625Z1MNSC    | 14.85    | \$    |

### Note:

\$ Energy Efficient \$



### Important:

1. Total output (HP x service factor) of replacement motor must equal or exceed motor being replaced.
2. The pool motors on this page are **NOT equipped with a Safety Vacuum Release System (SVRS)**. SVRS helps prevent drowning due to body entrapment on underwater drains. In some pool configurations, if a person's body covers the drain, the person can be trapped by suction. The SVRS turns off the pump if this occurs.

### ⚠ WARNING

Depending on your pool configuration, a SVRS may be required to meet local, state, and federal requirements.

## Century® Hayward TriStar Replacement Pump Motors

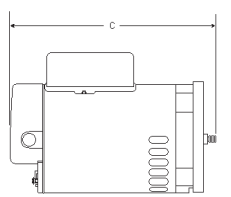
### Features:

- 303 Stainless Steel Shaft
- 60°C Ambient
- Automatic Protector
- Ball Bearing
- Capacitor Start/Capacitor Run
- Class F Insulation
- Energy Efficient
- Open Drip Proof
- Single Phase



### Single Speed - "1081" Capacitor Start/Capacitor Run - High Efficiency - Square Flange - Full Rate

| HP    | RPM  | Volts       | Amps           | Service Factor | THP  | Frame | Stock Number | Shaft    | Overload Protector | "C" Dim | Industry Number |
|-------|------|-------------|----------------|----------------|------|-------|--------------|----------|--------------------|---------|-----------------|
| 1/2   | 3450 | 115/208-230 | 8.6/5.0-4.30   | 1.99           | 1.0  | 56Y   | HSQ1052      | Threaded | Auto               | 12.8    | SP3205Z1BE      |
| 3/4   | 3450 | 115/208-230 | 11.6/7.0-5.8   | 1.85           | 1.39 | 56Y   | HSQ1072      | Threaded | Auto               | 13.1    | SP3207Z1BE      |
| 1     | 3450 | 115/208-230 | 15.0/8.8-7.5   | 1.85           | 1.85 | 56Y   | HSQ1102      | Threaded | Auto               | 13.4    | SP3210Z1BE      |
| 1-1/2 | 3450 | 115/208-230 | 20.0/12.0-10.0 | 1.60           | 2.4  | 56Y   | HSQ1152      | Threaded | Auto               | 13.8    | SP3215Z1BE      |
| 2     | 3450 | 208-230     | 12.0-11.0      | 1.35           | 2.7  | 56Y   | HSQ1202      | Threaded | Auto               | 4.1     | SP3220Z1BE      |
| 3     | 3450 | 208-230     | 15.4           | 1.20           | 3.6  | 56Y   | HSQ1302      | Threaded | Auto               | 15.12   | SP3230Z1BE      |
| 5     | 3450 | 208-230     | 22.0           | 1.0            | 5.0  | 56Y   | HSQ1502      | Threaded | Auto               | 15.12   | SP3240Z1ME      |



### Important:

1. Total output (HP x service factor) of replacement motor must equal or exceed motor being replaced.
2. The pool motors on this page are **NOT equipped with a Safety Vacuum Release System (SVRS)**. SVRS helps prevent drowning due to body entrapment on underwater drains. In some pool configurations, if a person's body covers the drain, the person can be trapped by suction. The SVRS turns off the pump if this occurs.

### ⚠ WARNING

Depending on your pool configuration, a SVRS may be required to meet local, state, and federal requirements.

# NEMA C-Face 3-Phase Pump Motors

## Features:

- Ball Bearings
- Continuous Duty
- Open Dripproof
- NEMA "56C" Mount
- 40°C Ambient
- 60 Hz
- Internal Junction Box
- Keyed and Stainless Steel Threaded Shafts



NEMA C Face mounting bracket, and end frames are die-cast corrosion resistant aluminum, accurately machined for maximum concentricity, and minimum runout. Stator assemblies are press fitted into rolled steel main frames. Double shielded ball bearings, selected for quiet operation, are lubricated for life with greases specifically chosen for moisture and heat resistant qualities.

1/2" x 14 thread tapped opening is provided for conduit fitting. No external junction box required connections made under motor canopy. Motors are supplied with horizontal canopy but are easily converted for vertical operation with the use of optional vertical canopy (#621335-002).

| HP    | RPM  | Volts       | Max. Amps | Service Factor | THP   | Frame | Stock Number | Shaft | Protector | Approx. "AG" | Notes |
|-------|------|-------------|-----------|----------------|-------|-------|--------------|-------|-----------|--------------|-------|
| 1/2   | 3450 | 208-230/460 | 2.7/1.35  | 1.6            | 0.8   | 56J   | T3052        | Thrd  | None      | 8-5/8        |       |
| 3/4   | 3450 | 208-230/460 | 3.4/1.7   | 1.5            | 1.125 | 56C   | K3072        | Key   | None      | 9-1/8        |       |
| 3/4   | 3450 | 208-230/460 | 3.4/1.7   | 1.5            | 1.125 | 56J   | T3072        | Thrd  | None      | 9-1/8        |       |
| 1     | 3450 | 208-230/460 | 4.0/2.0   | 1.4            | 1.4   | 56C   | K3102        | Key   | None      | 9-11/16      |       |
| 1     | 3450 | 208-230/460 | 4.0/2.0   | 1.4            | 1.4   | 56J   | T3102        | Thrd  | None      | 9-11/16      |       |
| 1-1/2 | 3450 | 208-230/460 | 6.8/3.4   | 1.3            | 1.95  | 56C   | K3152        | Key   | None      | 11-5/16      |       |
| 1-1/2 | 3450 | 208-230/460 | 6.8/3.4   | 1.3            | 1.95  | 56J   | T3152        | Thrd  | None      | 11-5/16      |       |
| 2     | 3450 | 208-230/460 | 8.6/4.3   | 1.2            | 2.4   | 56C   | K3202        | Key   | None      | 11-5/16      |       |
| 2     | 3450 | 208-230/460 | 8.6/4.3   | 1.2            | 2.4   | 56J   | T3202        | Thrd  | None      | 11-5/16      |       |

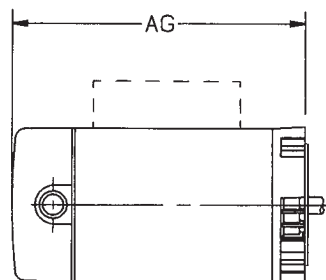


## THREE PHASE SQUARE FLANGE PUMP MOTORS

### Features:

- All Copper Windings
- Open Dripproof
- 303 Stainless Steel Threaded Shaft
- Sealed Ball Bearings
- 50°C Ambient
- 60 Hz

| HP    | RPM  | Amps Volts  | Service Hi - Lo | Factor | THP  | Frame | Stock Number | Overload Protector | Approx. "AG" |
|-------|------|-------------|-----------------|--------|------|-------|--------------|--------------------|--------------|
| 1/2   | 3450 | 208-230/460 | 3.0/1.5         | 1.9    | .95  | 48Y   | Q3052        | None               | 9-7/8        |
| 3/4   | 3450 | 208-230/460 | 3.6/1.8         | 1.65   | 1.24 | 48Y   | Q3072        | None               | 10-3/8       |
| 1     | 3450 | 208-230/460 | 4.7/2.35        | 1.65   | 1.65 | 48Y   | Q3102        | None               | 10-7/8       |
| 1-1/2 | 3450 | 208-230/460 | 6.8/3.4         | 1.47   | 2.21 | 48Y   | Q3152        | None               | 11-7/8       |
| 2     | 3450 | 208-230/460 | 8.5/4.25        | 1.3    | 2.6  | 48Y   | Q3202        | None               | 12-5/8       |
| 3     | 3450 | 200-230/460 | 9.7/4.9         | 1.15   | 3.45 | 56Y   | Q3302V1      | None               | 12           |



### Important:

- Total output (HP x service factor) of replacement motor must equal or exceed motor being replaced.
- The pool motors on this page are **NOT equipped with a Safety Vacuum Release System (SVRS)**. SVRS helps prevent drowning due to body entrapment on underwater drains. In some pool configurations, if a person's body covers the drain, the person can be trapped by suction. The SVRS turns off the pump if this occurs.

**⚠ WARNING** Depending on your pool configuration, a SVRS may be required to meet local, state, and federal requirements.

## Squirrel Cage (Three Phase) - Dripproof - 3600/3000 RPM - 1/2 thru 3 HP

### Features:

- Ball Bearings
- Cast Iron NEMA "C" Bracket
- 50/60 Hz
- 40°C Ambient
- 303 Stainless Steel Shaft
- Class A or B Insulation
- Reversible (Three Phase)



H281

### 60/50 Hz • Three Phase "1081" • Full Rate • High Service Factor

| HP    | RPM  | Volts       | Service Factor<br>Amps@ 60 Hz | Service<br>Factor | THP  | Frame | Stock<br>Number | Shaft    | Overload<br>Protector | Insul.<br>Class | "C"<br>Dim. | Notes |
|-------|------|-------------|-------------------------------|-------------------|------|-------|-----------------|----------|-----------------------|-----------------|-------------|-------|
| 1/2   | 3450 | 208-230/460 | 2.1-2.4/1.2                   | 1.60              | 0.8  | 56C   | H281            | Keyed    | None                  | A               | 11.87       | 282   |
| 1/2   | 3450 | 208-230/460 | 2.1-2.4/1.2                   | 1.60              | 0.8  | 56J   | H282            | Threaded | None                  | A               | 12.05       | 282   |
| 3/4   | 3450 | 208-230/460 | 3.7-3.6/1.8                   | 1.50              | 1.13 | 56C   | H450            | Keyed    | None                  | A               | 12.80       | 282   |
| 3/4   | 3450 | 208-230/460 | 3.7-3.6/1.8                   | 1.50              | 1.13 | 56J   | H451            | Threaded | None                  | A               | 12.12       | 282   |
| 1     | 3450 | 208-230/460 | 4.3-4.0/2.0                   | 1.40              | 1.40 | 56C   | H513            | Keyed    | None                  | A               | 12.62       | 282   |
| 1     | 3450 | 208-230/460 | 4.3-4.0/2.0                   | 1.40              | 1.40 | 56J   | H514            | Threaded | None                  | A               | 12.12       | 282   |
| 1-1/2 | 3450 | 208-230/460 | 5.9-5.6/2.8                   | 1.30              | 1.95 | 56C   | H616            | Keyed    | None                  | A               | 13.24       | 282   |
| 1-1/2 | 3450 | 208-230/460 | 5.9-5.6/2.8                   | 1.30              | 1.95 | 56J   | H617            | Threaded | None                  | A               | 12.62       | 282   |
| 2     | 3450 | 208-230/460 | 7.0-6.6/3.3                   | 1.20              | 2.4  | 56C   | H704            | Keyed    | None                  | A               | 13.62       | 282   |
| 2     | 3450 | 208-230/460 | 7.0-6.6/3.3                   | 1.20              | 2.4  | 56J   | H705            | Threaded | None                  | A               | 13.12       | 282   |
| 3     | 3450 | 208-230/460 | 9.6-9.2/4.6                   | 1.15              | 3.45 | 56C   | H740            | Keyed    | None                  | B               | 13.30       | 257   |
| 3     | 3450 | 208-230/460 | 9.6-9.2/4.6                   | 1.15              | 3.45 | 56J   | H741            | Threaded | None                  | B               | 13.12       | 257   |

### Note:

257. 60 HZ only

282. 3450 RPM for 60 HZ and 2875 RPM for 50 HZ

## Centurion® Square Flange Pool and Spa Pump Motors

### Squirrel Cage - Three Phase - Dripproof - No Base - 3600 RPM - 1/2 thru 3 HP

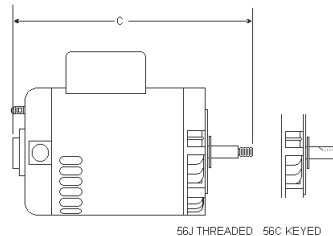
### Features:

- Ball Bearings
- Class B Insulation
- 60 Hz
- 303 Stainless Steel Threaded Shafts
- 50°C Ambient



H491

| HP    | RPM  | Volts       | Service Factor<br>Amps@ 60 Hz | Service<br>Factor | THP  | Frame | Stock<br>Number | Shaft    | Overload<br>Protector | "C"<br>Dim. | Notes |
|-------|------|-------------|-------------------------------|-------------------|------|-------|-----------------|----------|-----------------------|-------------|-------|
| 1/2   | 3450 | 208-230/460 | 3.2-3.0/1.5                   | 1.90              | 0.95 | 56Y   | H491            | Threaded | None                  | 12.2        |       |
| 3/4   | 3450 | 208-230/460 | 3.8-3.6/1.8                   | 1.65              | 1.24 | 56Y   | H492            | Threaded | None                  | 12.8        |       |
| 1     | 3450 | 208-230/460 | 5.0-4.6/2.3                   | 1.65              | 1.65 | 56Y   | H635            | Threaded | None                  | 13.2        |       |
| 1-1/2 | 3450 | 208-230/460 | 6.4-5.8/2.9                   | 1.47              | 2.21 | 56Y   | H636            | Threaded | None                  | 13.4        |       |
| 2     | 3450 | 208-230/460 | 7.1-6.8/3.4                   | 1.30              | 2.6  | 56Y   | H637            | Threaded | None                  | 13.9        |       |
| 3     | 3450 | 208-230/460 | 9.0-8.6/4.3                   | 1.15              | 3.45 | 56Y   | H755            | Threaded | None                  | 13.9        |       |



### Important:

- Total output (HP x service factor) of replacement motor must equal or exceed motor being replaced.
- The pool motors on this page are **NOT equipped with a Safety Vacuum Release System (SVRS)**. SVRS helps prevent drowning due to body entrapment on underwater drains. In some pool configurations, if a person's body covers the drain, the person can be trapped by suction. The SVRS turns off the pump if this occurs.

**⚠ WARNING** Depending on your pool configuration, a SVRS may be required to meet local, state, and federal requirements.

# NEMA-C Face Single Phase Jet Pump Motors

Important: Total horsepower (HP x service factor) of replacement motor must equal or exceed motor being replaced

## Features:

- Auto Protector
- Ball Bearings
- CCWPE & Reversible
- Capacitor Start
- Internally Mounted Capacitor
- Continuous Duty
- Sealed Switch Design
- 40°C Ambient
- 60 Hz
- High Service Factors
- NEMA “56C” Mount
- “778” Design
- Carbon Keyed and 303 Stainless Steel Thrd. Shafts



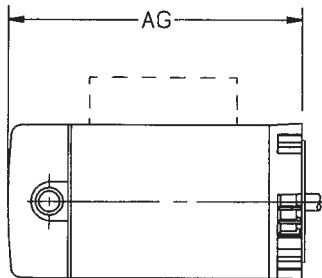
**WARNING:** Not a suitable replacement for swim pool pump motors.

## NEMA-C Face Single Phase Jet Pump Motors

| HP    | RPM  | Volts   | Max. Amps | Service Factor | Frame | Stock Number | Enclosure | Shaft    | Insul Class | Rotation | “AG” Dim | Notes           |
|-------|------|---------|-----------|----------------|-------|--------------|-----------|----------|-------------|----------|----------|-----------------|
| 1/3   | 3450 | 115/230 | 8.6/4.3   | 1.80           | 56C   | K1030        | ODP       | Keyed    | B           | CCWPE    | 8-1/4    |                 |
| 1/3   | 3450 | 115/230 | 8.6/4.3   | 1.80           | 56C   | K1032        | ODP       | Keyed    | B           | REV      | 8-1/4    |                 |
| 1/3   | 3450 | 115/230 | 8.6/4.3   | 1.80           | 56J   | T1032        | ODP       | Threaded | B           | CCWPE    | 8-1/4    | 12              |
| 1/2   | 3450 | 115/230 | 10.8/5.4  | 1.60           | 56C   | K1050        | ODP       | Keyed    | B           | CCWPE    | 8-5/8    |                 |
| 1/2   | 3450 | 115/230 | 10.8/5.4  | 1.60           | 56C   | K1052        | ODP       | Keyed    | B           | REV      | 8-5/8    |                 |
| 1/2   | 3450 | 115/230 | 10.8/5.4  | 1.60           | 56J   | T1052        | ODP       | Threaded | B           | CCWPE    | 8-5/8    | 12              |
| 3/4   | 3450 | 115/230 | 14.8/7.4  | 1.50           | 56C   | K1070        | ODP       | Keyed    | B           | CCWPE    | 9-1/2    |                 |
| 3/4   | 3450 | 115/230 | 14.8/7.4  | 1.50           | 56C   | K1072        | ODP       | Keyed    | B           | REV      | 9-1/2    |                 |
| 3/4   | 3450 | 115/230 | 14.8/7.4  | 1.50           | 56J   | T1072        | ODP       | Threaded | B           | CCWPE    | 9-1/2    | 12              |
| 1     | 3450 | 115/230 | 16.2/8.1  | 1.40           | 56C   | K1100        | ODP       | Keyed    | B           | CCWPE    | 10       |                 |
| 1     | 3450 | 115/230 | 16.2/8.1  | 1.40           | 56C   | K1102        | ODP       | Keyed    | B           | REV      | 10       |                 |
| 1     | 3450 | 115/230 | 16.2/8.1  | 1.40           | 56J   | T1102        | ODP       | Threaded | B           | CCWPE    | 10       | 12              |
| 1 1/2 | 3450 | 115/230 | 22.0/11.0 | 1.30           | 56C   | K1150        | ODP       | Keyed    | B           | CCWPE    | 11-5/16  |                 |
| 1 1/2 | 3450 | 115/230 | 22.0/11.0 | 1.30           | 56C   | K1152        | ODP       | Keyed    | B           | REV      | 11-5/16  |                 |
| 1 1/2 | 3450 | 115/230 | 22.0/11.0 | 1.30           | 56J   | T1152        | ODP       | Threaded | B           | CCWPE    | 11-5/16  | 12              |
| 2     | 3450 | 115/230 | 22.6/11.3 | 1.20           | 56C   | K1200        | ODP       | Keyed    | B           | CCWPE    | 11-15/16 | 20,\$           |
| 2     | 3450 | 115/230 | 22.6/11.3 | 1.20           | 56C   | K1202        | ODP       | Keyed    | B           | REV      | 11-15/16 | 20,\$           |
| 2     | 3450 | 115/230 | 22.6/11.3 | 1.20           | 56J   | T1202        | ODP       | Threaded | B           | CCWPE    | 11-15/16 | 20,\$           |
| 3     | 3450 | 208-230 | 15.0-13.3 | 1.15           | 56C   | SK1302V1     | ODP       | Keyed    | B           | CWLE     | 13-7/8   | 12,20,90,142,\$ |
| 3     | 3450 | 208-230 | 15.0-13.3 | 1.15           | 56J   | ST1302V1     | ODP       | Threaded | B           | CWLE     | 14-3/16  | 20,90,142,\$    |

## Notes:

- \$ Energy Efficient
- 12. 303 Stainless Steel Shaft
- 20. \$ Energy Efficient capacitor start, capacitor run “Conservationist” motor
- 90. 50°C ambient
- 142. Service factor amps





# Square Flange Single Phase Jet Pump Motors

Important: Total horsepower (HP x service factor) of replacement motor must equal or exceed motor being replaced

## Features:

- High Service Factors
- Rotation-CCW Pump End
- Continuous Duty
- 303 Stainless Steel Thrd. Shafts
- Capacitor Start
- Internally Mounted Capacitor
- Sealed Switch Design
- "778" Design
- 60 Hz
- 50°C Ambient



Q1032

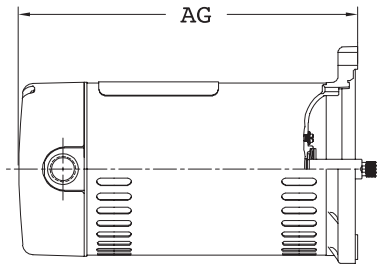
**WARNING:** Not a suitable replacement for square flange swim pool pump motors.

## Square Flange Single Phase Jet Pump Motors

| HP    | RPM  | Volts   | Maximum Amps | Service Factor | Frame | Stock Number | Bearings | Enclosure | Insul Class | Protector | Approx. "AG" | Notes    |
|-------|------|---------|--------------|----------------|-------|--------------|----------|-----------|-------------|-----------|--------------|----------|
| 1/3   | 3450 | 115/230 | 9.9/4.95     | 1.95           | 48Y   | <b>Q1032</b> | Ball     | ODP       | B           | Auto      | 9.63         |          |
| 1/2   | 3450 | 115/230 | 12.4/6.2     | 1.90           | 48Y   | <b>Q1052</b> | Ball     | ODP       | B           | Auto      | 10.38        |          |
| 3/4   | 3450 | 115/230 | 14.8/7.4     | 1.65           | 48Y   | <b>Q1072</b> | Ball     | ODP       | B           | Auto      | 11.00        |          |
| 1     | 3450 | 115/230 | 19.9/9.95    | 1.65           | 48Y   | <b>Q1102</b> | Ball     | ODP       | B           | Auto      | 11.88        |          |
| 1 1/2 | 3450 | 115/230 | 24.0/12.0    | 1.47           | 48Y   | <b>Q1152</b> | Ball     | ODP       | B           | Auto      | 12.63        |          |
| 2     | 3450 | 115/230 | 24.0/12.0    | 1.25           | 48Y   | <b>Q1202</b> | Ball     | ODP       | B           | Auto      | 12.63        | 20,31,\$ |

## Notes:

- \$ Energy Efficient
- 20. \$ Energy Efficient capacitor start, capacitor run "Conservationist" motor
- 31. 40 degree C ambient



# Century® NEMA “C” Face Commercial Pump Motors

## Commercial Pump Motors – Three Phase – Squirrel Cage – Dripproof, TEFC & TENV No Base 3600 RPM – 1/3 thru 3 HP

**Features:** Double Sealed Ball bearings • 60 Hz • 40°C Ambient

**Applications:** Domestic, commercial and industrial water systems. May be mounted horizontally or vertically, open or enclosed, keyed or threaded shaft. Shaft end ball bearings locked in bracket takes all pump thrust.



H506

### DRIPPROOF

| HP    | RPM       | Volts       | Service Factor<br>Amps | Service<br>Factor | Frame | Stock<br>Number | Enclosure | Shaft    | Insul.<br>Class | Overload<br>Protector | “C”<br>Dim. | Notes    |
|-------|-----------|-------------|------------------------|-------------------|-------|-----------------|-----------|----------|-----------------|-----------------------|-------------|----------|
| 1/3   | 3450/2850 | 200-230/460 | 2.0-1.8/9              | 1.75              | 56C   | H251            | ODP       | Keyed    | B               | None                  | 10.5        | 6,48,267 |
| 1/3   | 3450      | 575         | 0.72                   | 1.75              | 56C   | H198            | ODP       | Keyed    | B               | None                  | 10.5        |          |
| 1/3   | 3450/2850 | 200-230/460 | 2.0-1.8/9              | 1.75              | 56J   | H137            | ODP       | Threaded | B               | None                  | 11.0        | 6,12,267 |
| 1/2   | 3450/2850 | 208-230/460 | 2.6-2.6/1.3            | 1.60              | 56C   | H254            | ODP       | Keyed    | B               | None                  | 10.5        | 6,48,267 |
| 1/2   | 3450      | 575         | 0.90                   | 1.60              | 56C   | H247            | ODP       | Keyed    | B               | None                  | 10.5        |          |
| 1/2   | 3450/2850 | 208-230/460 | 2.6-2.6/1.3            | 1.60              | 56J   | H155            | ODP       | Threaded | B               | None                  | 11.0        | 6,12,267 |
| 1/2   | 3450      | 575         | 0.9                    | 1.60              | 56J   | H248            | ODP       | Threaded | B               | None                  | 11.0        | 12       |
| 3/4   | 3450/2850 | 208-230/460 | 3.4-3.4/1.7            | 1.50              | 56C   | H508            | ODP       | Keyed    | B               | None                  | 11.3        | 6,48,267 |
| 3/4   | 3450      | 575         | 1.2                    | 1.50              | 56C   | H298            | ODP       | Keyed    | B               | None                  | 11.3        |          |
| 3/4   | 3450/2850 | 208-230/460 | 3.4-3.4/1.7            | 1.50              | 56J   | H446            | ODP       | Threaded | B               | None                  | 11.8        | 6,12,267 |
| 3/4   | 3450      | 575         | 1.2                    | 1.50              | 56J   | H299            | ODP       | Threaded | B               | None                  | 11.8        | 12       |
| 1     | 3450/2850 | 208-230/460 | 4.3-4.0/2.0            | 1.40              | 56C   | H511            | ODP       | Keyed    | B               | None                  | 11.3        | 6,48,267 |
| 1     | 3450      | 575         | 1.5                    | 1.40              | 56C   | H428            | ODP       | Keyed    | B               | None                  | 11.3        |          |
| 1     | 3450/2850 | 208-230/460 | 4.3-4.0/2.0            | 1.40              | 56J   | H506            | ODP       | Threaded | B               | None                  | 11.8        | 6,12,267 |
| 1     | 3450      | 575         | 1.5                    | 1.40              | 56J   | H429            | ODP       | Threaded | B               | None                  | 11.8        | 12       |
| 1 1/2 | 3450/2850 | 208-230/460 | 5.8-5.6/2.8            | 1.30              | 56C   | H609            | ODP       | Keyed    | B               | None                  | 11.8        | 6,48,267 |
| 1 1/2 | 3450      | 575         | 1.75                   | 1.30              | 56C   | H592            | ODP       | Keyed    | B               | None                  | 11.8        |          |
| 1 1/2 | 3450/2850 | 208-230/460 | 5.8-5.6/2.8            | 1.30              | 56J   | H607            | ODP       | Threaded | B               | None                  | 12.3        | 6,12,267 |
| 1 1/2 | 3450      | 575         | 1.75                   | 1.30              | 56J   | H593            | ODP       | Threaded | B               | None                  | 12.3        | 12       |
| 2     | 3450/2850 | 200-230/460 | 6.8-6.6/3.3            | 1.20              | 56C   | H612            | ODP       | Keyed    | B               | None                  | 12.3        | 6,48,267 |
| 2     | 3450      | 575         | 2.5                    | 1.20              | 56C   | H628            | ODP       | Keyed    | B               | None                  | 12.3        |          |
| 2     | 3450/2850 | 200-230/460 | 6.8-6.6/3.3            | 1.20              | 56J   | H733            | ODP       | Threaded | B               | None                  | 12.8        | 6,12,267 |
| 2     | 3450      | 575         | 2.5                    | 1.20              | 56J   | H629            | ODP       | Threaded | B               | None                  | 12.8        | 12       |
| 3     | 3450      | 200-230/460 | 9.8-9.6/4.8            | 1.15              | 56C   | H736            | ODP       | Keyed    | B               | None                  | 12.3        |          |
| 3     | 3450      | 575         | 3.4                    | 1.15              | 56C   | H713            | ODP       | Keyed    | B               | None                  | 12.3        |          |
| 3     | 3450      | 200-230/460 | 9.8-9.6/4.8            | 1.15              | 56J   | H734            | ODP       | Threaded | B               | None                  | 12.8        | 12       |
| 3     | 3450      | 575         | 3.4                    | 1.15              | 56J   | H714            | ODP       | Threaded | B               | None                  | 12.8        | 12       |

### TEFC

| HP    | RPM  | Volts       | Service Factor<br>Amps | Service<br>Factor | Frame | Stock<br>Number | Enclosure | Shaft    | Insul.<br>Class | Overload<br>Protector | “C”<br>Dim. | Notes  |
|-------|------|-------------|------------------------|-------------------|-------|-----------------|-----------|----------|-----------------|-----------------------|-------------|--------|
| 1/3   | 3450 | 200-230/460 | 1.3-1.4/7              | 1.15              | 56C   | H191            | TENV      | Keyed    | B               | None                  | 9.8         | 1      |
| 1/3   | 3450 | 200-230/460 | 1.3-1.4/7              | 1.15              | 56J   | H259            | TENV      | Threaded | B               | None                  | 9.7         | 12     |
| 1/2   | 3450 | 200-230/460 | 1.9-1.8/9              | 1.15              | 56C   | H192            | TENV      | Keyed    | B               | None                  | 9.5         |        |
| 1/2   | 3450 | 200-230/460 | 1.9-1.8/9              | 1.15              | 56J   | H283            | TENV      | Threaded | B               | None                  | 10.1        | 12     |
| 3/4   | 3450 | 200-230/460 | 2.6-2.4/1.2            | 1.15              | 56C   | H193            | TEFC      | Keyed    | B               | None                  | 11.3        |        |
| 3/4   | 3450 | 200-230/460 | 2.6-2.4/1.2            | 1.15              | 56J   | H515            | TEFC      | Threaded | B               | None                  | 11.9        | 12     |
| 3/4   | 3450 | 575         | 0.92                   | 1.00              | 56J   | H966            | TEFC      | Threaded | B               | None                  | 11.8        | 12     |
| 1     | 3450 | 200-230/460 | 3.2-3.0/1.5            | 1.15              | 56C   | H194            | TEFC      | Keyed    | B               | None                  | 11.3        |        |
| 1     | 3450 | 200-230/460 | 3.2-3.0/1.5            | 1.15              | 56J   | H516            | TEFC      | Threaded | B               | None                  | 11.8        | 12     |
| 1     | 3450 | 575         | 1.15                   | 1.00              | 56J   | H967            | TEFC      | Threaded | B               | None                  | 11.8        | 12     |
| 1 1/2 | 3450 | 200-230/460 | 4.5-4.2/2.1            | 1.15              | 56C   | H195            | TEFC      | Keyed    | B               | None                  | 11.7        |        |
| 1 1/2 | 3450 | 200-230/460 | 4.5-4.2/2.1            | 1.15              | 56J   | H661            | TEFC      | Threaded | B               | None                  | 12.3        | 12     |
| 1 1/2 | 3450 | 575         | 1.6                    | 1.00              | 56J   | H968            | TEFC      | Threaded | B               | None                  | 12.2        | 12     |
| 2     | 3450 | 200-230/460 | 6.0-5.3/2.65           | 1.15              | 56C   | H196            | TEFC      | Keyed    | B               | None                  | 12.2        |        |
| 2     | 3450 | 200-230/460 | 6.0-5.5/2.75           | 1.15              | 56J   | H706            | TEFC      | Threaded | B               | None                  | 12.8        | 12     |
| 2     | 3450 | 575         | 2.2                    | 1.00              | 56J   | H969            | TEFC      | Threaded | B               | None                  | 12.7        | 12     |
| 2     | 3450 | 575         | 2.2                    | 1.00              | 56C   | H948            | TEFC      | Keyed    | B               | None                  | 12.6        | 1      |
| 3     | 3450 | 200-230/460 | 8.5-8.2/4.1            | 1.00              | 56C   | H197            | TEFC      | Keyed    | B               | None                  | 13.5        |        |
| 3     | 3450 | 200-230/460 | 8.5-8.2/4.1            | 1.00              | 56J   | H707            | TEFC      | Threaded | B               | None                  | 13.8        | 12,104 |
| 3     | 3450 | 575         | 3.1                    | 1.00              | 56J   | H970            | TEFC      | Threaded | B               | None                  | 14.2        | 12     |

**Notes:**

- 1. Item to be discontinued when stock is depleted
- 6. 60/50 Hertz
- 12. 303 Stainless steel shaft
- 48. 1.0 Service factor at 50 HZ
- 104. Vertical mount
- 267. 50 Hz-1.00 Service Factor, 190/380 volt

# Century® Close-Coupled Pump Motors

## Types JM, JP and TCZ - Three-Phase - Horizontal - Dripproof - Rigid Base - 3600 and 1800 RPM - 60 Hz - 1 thru 3 HP

### Features:

- Ball Bearings
- External Slinger
- 60 Hz
- 40°C Ambient
- Oversized Locked Shaft End Bearing
- Frame Suffix Letters TCZ Designate Century West Coast Pump Standard Motors
- Frame Suffix Letters JM and JP Designate NEMA Standard Motors



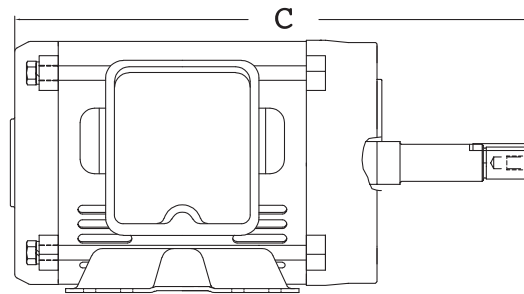
TCP81026

**Applications:** Commercial/industrial pump duty. Designed to meet a wide variety of applications for fluid transfer.

| HP    | RPM       | Volts   | Full Load Amps | Service Factor | Frame  | Stock Number | Type    | Insulation Class | Protector | Rotation | "C" Dim. | Notes     |
|-------|-----------|---------|----------------|----------------|--------|--------------|---------|------------------|-----------|----------|----------|-----------|
| 1     | 1750      | 230/460 | 3.2/1.6        | 1.15           | 143JM  | TCP81026     | E+3(NP) | F                | None      | CCW      |          | New!      |
| 1     | 1745/1425 | 230/460 | 3.0/1.5        | 1.25           | 143JP  | E118E        | E+      | B                | None      | RCC      | 18.6     | New!      |
| 1     | 1750      | 230/460 | 3.2/1.6        | 1.15           | 143JP  | TCP82026     | E+3(NP) | F                | None      | CCW      | 15.7     | New!      |
| 1 1/2 | 3500      | 230/460 | 4.2/2.1        | 1.15           | 143JM  | TCP81002     | E+3(NP) | F                | None      | CCW      | 14.0     | New!      |
| 1 1/2 | 3500      | 230/460 | 4.2/2.1        | 1.15           | 143JP  | TCP82002     | E+3(NP) | F                | None      | CCW      | 17.1     | New!      |
| 1 1/2 | 1725      | 230/460 | 4.0/2.0        | 1.25           | 145JP  | E157E        | E+      | B                | None      | RCC      | 17.9     | New!      |
| 1 1/2 | 1740      | 230/460 | 4.6/2.3        | 1.15           | 145JM  | TCP81027     | E+3(NP) | F                | None      | CCW      | 12.6     | New!      |
| 1 1/2 | 1740      | 230/460 | 4.6/2.3        | 1.15           | 145JP  | TCP82027     | E+3(NP) | F                | None      | CCW      | 15.7     | New!      |
| 2     | 3450      | 230/460 | 5.4/2.7        | 1.15           | 145JM  | E159E        | E+      | B                | None      | RCC      | 15.9     | New!      |
| 2     | 3450/2850 | 230/460 | 5.4/2.7        | 1.25           | 145JM  | E172E        | E+      | B                | None      | RCC      | 17.9     | 6,21,New! |
| 2     | 3490      | 230/460 | 5.0/2.5        | 1.15           | 145JM  | TCP81003     | E+3(NP) | F                | None      | CCW      | 12.6     | New!      |
| 2     | 3490      | 230/460 | 5.0/2.5        | 1.15           | 145JP  | TCP82003     | E+3(NP) | F                | None      | CCW      | 15.7     | New!      |
| 2     | 1745/1425 | 230/460 | 6.4/3.2        | 1.25           | 145JP  | E175         |         | B                | None      | RCC      | 17.9     | 1,6,21    |
| 2     | 1725      | 230/460 | 5.8/2.9        | 1.15           | 145JM  | TCP81028     | E+3(NP) | F                | None      | CCW      | 12.6     | New!      |
| 2     | 1725      | 230/460 | 5.8/2.9        | 1.15           | 145JP  | TCP82028     | E+3(NP) | F                | None      | CCW      | 15.7     | New!      |
| 3     | 3450/2850 | 230/460 | 8.6/4.3        | 1.25           | 145TCZ | E179         |         | B                | None      | RCC      | 17.9     | 1,6,21    |
| 3     | 3470      | 230/460 | 7.4/3.7        | 1.15           | 145JM  | TCP81004     | E+3(NP) | F                | None      | CCW      | 12.6     | New!      |
| 3     | 3470      | 230/460 | 7.4/3.7        | 1.15           | 145JP  | TCP82004     | E+3(NP) | F                | None      | CCW      | 15.7     | New!      |
| 3     | 3600      | 575     | 3.0            | 1.15           | 182JM  | TCP84004     | E+3(NP) | F                | None      | CCW      | 14.0     | New!      |
| 3     | 3600      | 575     | 3.0            | 1.15           | 182JP  | TCP85004     | E+3(NP) | F                | None      | CCW      | 17.1     | New!      |
| 3     | 1745      | 230/460 | 8.4/4.2        | 1.15           | 182JM  | TCP11029     | E+      | F                | None      | CCW      | 18.7     | New!      |
| 3     | 1745      | 230/460 | 8.4/4.2        | 1.15           | 182JP  | TCP12029     | E+      | F                | None      | CCW      | 18.8     | New!      |
| 3     | 1760      | 230/460 | 7.8/3.9        | 1.15           | 182JM  | TCP81029     | E+3(NP) | F                | None      | CCW      | 15.8     | New!      |
| 3     | 1760      | 230/460 | 7.8/3.9        | 1.15           | 182JP  | TCP82029     | E+3(NP) | F                | None      | CCW      | 18.8     | New!      |
| 3     | 1800      | 575     | 3.1            | 1.15           | 182JM  | TCP84029     | E+3(NP) | F                | None      | CCW      | 15.8     | New!      |
| 3     | 1800      | 575     | 3.1            | 1.15           | 182JP  | TCP85029     | E+3(NP) | F                | None      | CCW      | 18.8     | New!      |

### Notes:

1. Item to be discontinued when stock is depleted
6. 60/50 HZ
21. Terminal in bracket construction



## Types JM, JP and TCZ - Three-Phase - Horizontal - Dripproof - Rigid Base 3600 and 1800 RPM - 60 Hz - 5 thru 25 HP

### Features:

- Ball Bearings
- External Slinger
- 60 Hz
- 40°C Ambient
- Oversized Locked Shaft End Bearing
- Frame Suffix Letters TCZ Designate Century West Coast Pump Standard Motors
- Frame Suffix Letters JM and JP Designate NEMA Standard Motors



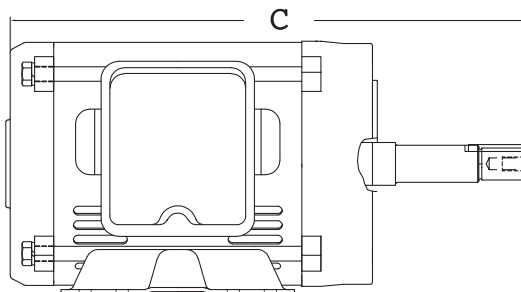
TCP11005

**Applications:** Commercial/industrial pump duty. Designed to meet a wide variety of applications for fluid transfer.

| HP    | RPM       | Volts   | Full Load Amps | Service Factor | Frame | Stock Number | Type    | Insulation Class | Protector | Rotation | "C" Dim. | Notes  |
|-------|-----------|---------|----------------|----------------|-------|--------------|---------|------------------|-----------|----------|----------|--------|
| 5     | 3495      | 230/460 | 12.0/6.0       | 1.15           | 182JM | TCP81005     | E+3(NP) | F                | None      | CCW      | 15.8     | New!   |
| 5     | 3450/2850 | 230/460 | 13.4/6.7       | 1.25           | 182JP | E297         |         | F                | None      | RCC      | 20.2     | 1,6,21 |
| 5     | 3495      | 230/460 | 12.0/6.0       | 1.15           | 182JP | TCP82005     | E+3(NP) | F                | None      | CCW      | 18.8     | New!   |
| 5     | 3475      | 230/460 | 12.4/6.2       | 1.15           | 182JM | TCP11005     | E+      | F                | None      | CCW      | 14.4     | New!   |
| 5     | 3475      | 230/460 | 12.4/6.2       | 1.15           | 182JP | TCP12005     | E+      | F                | None      | CCW      | 17.5     | New!   |
| 5     | 3600      | 575     | 4.7            | 1.15           | 182JM | TCP84005     | E+3(NP) | F                | None      | CCW      | 15.8     | New!   |
| 5     | 3600      | 575     | 4.7            | 1.15           | 182JP | TCP85005     | E+3(NP) | F                | None      | CCW      | 18.8     | New!   |
| 5     | 1750      | 230/460 | 12.8/6.4       | 1.15           | 184JM | TCP81030     | E+3(NP) | F                | None      | CCW      | 15.8     | New!   |
| 5     | 1750      | 230/460 | 12.8/6.4       | 1.15           | 184JP | TCP82030     | E+3(NP) | F                | None      | CCW      | 18.8     | New!   |
| 5     | 1745      | 230/460 | 13.2/6.6       | 1.15           | 184JM | TCP11030     | E+      | F                | None      | CCW      | 14.4     | New!   |
| 5     | 1745      | 230/460 | 13.2/6.6       | 1.15           | 184JP | TCP12030     | E+      | F                | None      | CCW      | 17.5     | New!   |
| 5     | 1750      | 575     | 5.1            | 1.15           | 184JM | TCP84030     | E+3(NP) | F                | None      | CCW      | 15.8     | New!   |
| 5     | 1750      | 575     | 5.1            | 1.15           | 184JP | TCP85030     | E+3(NP) | F                | None      | CCW      | 18.8     | New!   |
| 7 1/2 | 3490      | 230/460 | 18.0/9.0       | 1.15           | 184JM | TCP11006     | E+      | F                | None      | CCW      | 14.4     | New!   |
| 7 1/2 | 3490      | 230/460 | 18.0/9.0       | 1.15           | 184JP | TCP12006     | E+      | F                | None      | CCW      | 17.5     | New!   |
| 7 1/2 | 3600      | 230/460 | 17.0/8.5       | 1.15           | 213JM | TCP81006     | E+3(NP) | F                | None      | CCW      | 18.8     | New!   |
| 7 1/2 | 3490      | 230/460 | 17.0/8.5       |                | 213JP | TCP82006     | E+3(NP) | F                | None      | CCW      | 18.8     | New!   |
| 7 1/2 | 1745      | 230/460 | 19.4/9.7       | 1.15           | 213JM | E368E        | E+      | F                | None      | CCW      | 18.5     | New!   |
| 7 1/2 | 1745      | 230/460 | 19.4/9.7       | 1.15           | 213JP | E369E        | E+      | F                | None      | CCW      | 21.5     | New!   |
| 10    | 3495      | 230/460 | 23.2/11.6      | 1.15           | 213JM | E371ME       | E+      | F                | None      | CCW      | 18.5     | New!   |
| 10    | 3495      | 230/460 | 23.2/11.6      | 1.15           | 213JP | E372ME       | E+      | F                | None      | CCW      | 21.5     | New!   |
| 10    | 1745      | 230/460 | 26.8/13.4      | 1.15           | 215JM | E374E        | E+      | F                | None      | CCW      | 18.5     | New!   |
| 10    | 1765      | 230/460 | 25.6/12.8      | 1.15           | 215JM | TCP81032     | E+3(NP) | F                | None      | CCW      | 18.7     | New!   |
| 10    | 1745      | 230/460 | 26.8/13.4      | 1.15           | 215JP | E375E        | E+      | F                | None      | CCW      | 21.5     | New!   |
| 15    | 3480      | 230/460 | 34.0/17.0      | 1.15           | 215JM | E377E        | E+      | F                | None      | CCW      | 19.0     | New!   |
| 15    | 3480      | 230/460 | 34.0/17.0      | 1.15           | 215JP | E378E        | E+      | F                | None      | CCW      | 21.7     | New!   |
| 15    | 1750      | 230/460 | 37.0/18.5      | 1.15           | 254T  | E482E        | E+      | F                | None      | CCW      | 21.4     | New!   |
| 15    | 1750      | 230/460 | 37.0/18.5      | 1.15           | 254JP | E483E        | E+      | F                | None      | RCCW     | 24.2     | New!   |
| 20    | 1765      | 230/460 | 49.4/24.7      | 1.15           | 256JM | TCP81034     | E+3(NP) | F                | None      | CCW      | 23.9     | New!   |
| 20    | 1745      | 230/460 | 49.6/24.8      | 1.15           | 256JM | E488E        | E+      | F                | None      | CCW      | 21.4     | New!   |
| 20    | 1745      | 230/460 | 49.6/24.8      | 1.15           | 256JP | E489E        | E+      | F                | None      | RCC      | 24.2     | New!   |
| 25    | 3520      | 230/460 | 59.0/29.5      | 1.15           | 256JM | E491E        | E+      | F                | None      | REV      | 21.4     | New!   |
| 25    | 3520      | 230/460 | 59.0/29.5      | 1.15           | 256JP | E492E        | E+      | F                | None      | REV      | 24.2     | New!   |

### Notes:

1. Item to be discontinued when stock is depleted
6. 60/50 HZ
21. Terminal in bracket construction



# Century® Industrial Close-Coupled Pump Motors

## Types JM, JP and TCZ – Three-Phase – Horizontal – TEFC – Rigid Base 3600 and 1800 RPM – 1 thru 7 1/2 HP

### Features:

- Ball Bearings
- External Slinger
- 60 Hz
- 40°C Ambient
- Oversized, Locked Shaft End Bearing
- Frame Suffix Letters JM and JP Designate NEMA Standard Motors
- Frame Suffix TCZ Designates Century West Coast Pump Standard Motors



TCP71001

**Applications:** Designed for the specific requirements of centrifugal pumps.

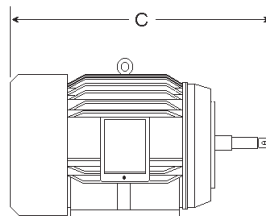
| HP    | RPM  | Volts       | Full Load Amps | Service Factor | Frame | Stock Number | Type | Insulation Class | Cast Iron | "C" Dim. | Efficiency | Notes       |
|-------|------|-------------|----------------|----------------|-------|--------------|------|------------------|-----------|----------|------------|-------------|
| 1     | 3440 | 230/460     | 3.2/1.6        | 1.15           | 143JM | TCP71001 ✪   | E+   | F                | ✓         | 15.5     | 75.5       | 361,363     |
| 1     | 3440 | 230/460     | 3.2/1.6        | 1.15           | 143JP | TCP72001 ✪   | E+   | F                | ✓         | 18.9     | 75.5       | 361,363     |
| 1     | 1745 | 200-230/460 | 3.3-3.2/1.6    | 1.15           | 143JM | N149L        |      | B                |           | 14.6     |            | 1           |
| 1     | 1745 | 230/460     | 3.2/1.6        | 1.15           | 143JM | N149E        | E+   | B                |           | 16.0     | 84.0       | <b>New!</b> |
| 1     | 1750 | 230/460     | 2.9/1.5        | 1.15           | 143JM | TCP71026 ✪   | E+   | F                | ✓         | 15.5     | 82.5       | 361,363     |
| 1     | 1750 | 230/460     | 2.9/1.5        | 1.15           | 143JP | TCP72026 ✪   | E+   | F                | ✓         | 18.9     | 82.5       | 361,363     |
| 1 1/2 | 3450 | 230/460     | 4.0/2.0        | 1.15           | 143JM | N148E        | E+   | B                |           | 16.0     | 82.5       | <b>New!</b> |
| 1 1/2 | 3510 | 230/460     | 4.4/2.2        | 1.15           | 143JM | TCP71002 ✪   | E+   | F                | ✓         | 15.5     | 82.5       | 361,363     |
| 1 1/2 | 3510 | 230/460     | 4.4/2.2        | 1.15           | 143JP | TCP72002 ✪   | E+   | F                | ✓         | 18.9     | 82.5       | 361,363     |
| 1 1/2 | 1745 | 230/460     | 4.0/2.0        | 1.15           | 145JM | N161E        | E+   | B                |           | 14.6     | 84.0       | <b>New!</b> |
| 1 1/2 | 1725 | 230/460     | 4.2/2.1        | 1.15           | 145JM | TCP71027 ✪   | E+   | F                | ✓         | 15.5     | 84.0       | 361,363     |
| 1 1/2 | 1725 | 230/460     | 4.2/2.1        | 1.15           | 145JP | TCP72027 ✪   | E+   | F                | ✓         | 18.9     | 84.0       | 361,363     |
| 2     | 3450 | 230/460     | 15.4/2.7       | 1.15           | 145JM | N153E        | E+   | B                |           | 16.0     | 84.0       | <b>New!</b> |
| 2     | 3510 | 230/460     | 5.2/2.6        | 1.15           | 145JM | TCP71003 ✪   | E+   | F                | ✓         | 15.5     | 84.0       | 361,363     |
| 2     | 3510 | 230/460     | 5.2/2.6        | 1.15           | 145JP | TCP72003 ✪   | E+   | F                | ✓         | 18.9     | 84.0       | 361,363     |
| 2     | 1710 | 230/460     | 5.6/2.8        | 1.15           | 145JM | TCP71028 ✪   | E+   | F                | ✓         | 15.5     | 84.0       | 361,363     |
| 2     | 1710 | 230/460     | 5.6/2.8        | 1.15           | 145JP | TCP72028 ✪   | E+   | F                | ✓         | 18.9     | 84.0       | 361,363     |
| 3     | 3450 | 230/460     | 8.2/4.1        | 1.15           | 145JM | N157E        | E+   | B                |           | 17.5     | 85.5       | <b>New!</b> |
| 3     | 3520 | 230/460     | 7.2/3.6        | 1.15           | 182JP | TCP72004 ✪   | E+   | F                | ✓         | 17.2     | 85.5       | 361,363     |
| 3     | 3520 | 230/460     | 7.2/3.6        | 1.15           | 182JM | TCP71004 ✪   | E+   | F                | ✓         | 17.2     | 85.5       | 361,363     |
| 3     | 1750 | 230/460     | 8.0/4.0        | 1.15           | 182JP | TCP72029 ✪   | E+   | F                | ✓         | 20.9     | 87.5       | 361,363     |
| 3     | 1750 | 230/460     | 8.0/4.0        | 1.15           | 182JM | TCP71029 ✪   | E+   | F                | ✓         | 17.2     | 87.5       | 361,363     |
| 5     | 3490 | 230/460     | 11.8/5.9       | 1.15           | 184JM | TCP71005 ✪   | E+   | F                | ✓         | 17.2     | 87.5       | 361,363     |
| 5     | 3490 | 230/460     | 12.0/6.0       | 1.15           | 184JP | TCP72005 ✪   | E+   | F                | ✓         | 20.9     | 87.5       | 361,363     |
| 5     | 1735 | 230/460     | 13.0/6.5       | 1.15           | 184JP | TCP72030 ✪   | E+   | F                | ✓         | 20.9     | 87.5       | 361,363     |
| 5     | 1735 | 230/460     | 12.8/6.4       | 1.15           | 184JM | TCP71030 ✪   | E+   | F                | ✓         | 17.2     | 87.5       | 361,363     |
| 7 1/2 | 3500 | 230/460     | 19.0/9.5       | 1.15           | 213JM | TCP71006 ✪   | E+   | F                | ✓         | 21.1     | 88.5       | 362,363     |
| 7 1/2 | 3500 | 230/460     | 19.0/9.5       | 1.15           | 213JP | TCP72006 ✪   | E+   | F                | ✓         | 24.9     | 88.5       | 362,363     |
| 7 1/2 | 3500 | 575         | 7.52           | 1.15           | 213JP | TCP74006 ✪   | E+   | F                | ✓         | 21.0     | 87.5       | <b>New!</b> |
| 7 1/2 | 1760 | 230/460     | 19.0/9.5       | 1.15           | 213JP | TCP72031 ✪   | E+   | F                | ✓         | 24.9     | 89.5       | 362,363     |
| 7 1/2 | 1760 | 230/460     | 19.0/9.5       | 1.15           | 213JM | TCP71031 ✪   | E+   | F                | ✓         | 21.1     | 89.5       | 362,363     |

### Notes:

1. Item to be discontinued when stock is depleted
361. 9 lead
362. 12 lead – Capability for Y Start-Delta Run
363. Double shielded bearings with no regreasing provisions



Motors specially designed, tested and warranted to be **Corona-Free** for compatible inverter duty are marked on this page with a ✪ See page 4 and 5 of this catalog for more Speed Engineered® motors information.



# Century® Industrial Close-Coupled Pump Motors

## Types JM, JP and TCZ - Three-Phase - Horizontal - TEFC - Rigid Base 3600 and 1800 RPM - 10 thru 50 HP

### Features:

- Ball Bearings
- External Slinger
- 60 Hz
- 40°C Ambient
- NEMA Design B
- Oversized, Locked Shaft End Bearing
- Frame Suffix Letters JM and JP Designate NEMA Standard Motors
- Frame Suffix TCZ Designates Century West Coast Pump Standard Motors



TCP11007

**Applications:** Designed for the specific requirements of centrifugal pumps.

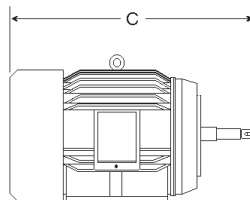
| HP | RPM  | Volts   | Full Load Amps | Service Factor | Frame  | Stock Number | Type | Insulation Class | Cast Iron | "C" Dim. | Efficiency | Notes   |
|----|------|---------|----------------|----------------|--------|--------------|------|------------------|-----------|----------|------------|---------|
| 10 | 3500 | 230/460 | 25.0/12.5      | 1.15           | 215TCZ | N313         |      |                  |           | 24.1     | 85.5       | 1,333   |
| 10 | 3495 | 230/460 | 24.0/12.0      | 1.15           | 215JM  | TCP71007     | E+   | F                | ✓         | 21.1     | 89.5       | 361,363 |
| 10 | 3495 | 230/460 | 24.0/12.0      | 1.15           | 215JP  | TCP72007     | E+   | F                | ✓         | 24.9     | 89.5       | 362,363 |
| 10 | 3495 | 575     | 9.6            | 1.15           | 215JM  | TCP74007     | E+   | F                | ✓         |          | 89.5       |         |
| 10 | 1760 | 230/460 | 25.0/12.5      | 1.15           | 215JP  | TCP72032     | E+   | F                | ✓         | 24.9     | 89.5       | 362,363 |
| 10 | 1760 | 230/460 | 25.0/12.5      | 1.15           | 215JM  | TCP71032     | E+   | F                | ✓         | 21.1     | 89.5       | 362,363 |
| 15 | 3510 | 230/460 | 35.0/17.5      | 1.15           | 254JM  | TCP71008     | E+   | F                | ✓         | 26.9     | 90.2       | 362,364 |
| 15 | 3510 | 230/460 | 35.0/17.5      | 1.15           | 254JP  | TCP72008     | E+   | F                | ✓         | 29.8     | 90.2       | 362,364 |
| 15 | 3510 | 575     | 14.08          | 1.15           | 254JM  | TCP74008     | E+   | F                | ✓         |          | 90.2       | New!    |
| 15 | 1750 | 230/460 | 37.0/18.5      | 1.15           | 254JM  | TCP71033     | E+   | F                | ✓         | 26.9     | 91.0       | 362,364 |
| 15 | 1750 | 230/460 | 37.0/18.5      | 1.15           | 254JP  | TCP72033     | E+   | F                | ✓         | 29.8     | 91.0       | 362,364 |
| 20 | 3510 | 230/460 | 47.0/23.5      | 1.15           | 256JM  | TCP71009     | E+   | F                | ✓         | 26.9     | 90.2       | 362,364 |
| 20 | 3510 | 230/460 | 47.0/23.5      | 1.15           | 256JP  | TCP72009     | E+   | F                | ✓         | 29.8     | 90.2       | 362,364 |
| 20 | 3510 | 575     | 18.8           | 1.15           | 256JM  | TCP74009     | E+   | F                | ✓         |          | 90.2       | New!    |
| 20 | 1755 | 230/460 | 49.0/24.5      | 1.15           | 256JP  | TCP72034     | E+   | F                | ✓         | 29.8     | 91.0       | 362,364 |
| 20 | 1755 | 230/460 | 49.0/24.5      | 1.15           | 256JM  | TCP71034     | E+   | F                | ✓         | 26.9     | 91.0       | 362,364 |
| 25 | 3540 | 230/460 | 59.0/29.5      | 1.15           | 284JM  | TCP71010     | E+   | F                | ✓         | 27.8     | 91.0       | 362,364 |
| 25 | 3540 | 230/460 | 59.0/29.5      | 1.15           | 284JP  | TCP72010     | E+   | F                | ✓         | 30.7     | 91.0       | 362,364 |
| 25 | 3540 | 575     | 23.6           | 1.15           | 284JM  | TCP74010     | E+   | F                | ✓         |          | 91.0       |         |
| 25 | 1760 | 230/460 | 62.0/31.0      | 1.15           | 284JM  | TCP71035     | E+   | F                | ✓         | 27.8     | 92.4       | 362,364 |
| 25 | 1760 | 230/460 | 62.0/31.0      | 1.15           | 284JP  | TCP72035     | E+   | F                | ✓         | 30.7     | 92.4       | 362,364 |
| 30 | 3535 | 230/460 | 70.0/35.0      | 1.15           | 286JM  | TCP71011     | E+   | F                | ✓         | 29.3     | 91.0       | 362,364 |
| 30 | 3535 | 230/460 | 70.0/35.0      | 1.15           | 286JP  | TCP72011     | E+   | F                | ✓         | 32.2     | 91.0       | 362,364 |
| 30 | 3535 | 575     | 28             | 1.15           | 286JM  | TCP74011     | E+   | F                | ✓         | 29.3     | 91.0       |         |
| 30 | 1755 | 230/460 | 73.0/36.5      | 1.15           | 286JM  | TCP71036     | E+   | F                | ✓         | 29.3     | 92.4       | 362,364 |
| 30 | 1755 | 230/460 | 73.0/36.5      | 1.15           | 286JP  | TCP72036     | E+   | F                | ✓         | 32.2     | 92.4       | 362,364 |
| 40 | 3535 | 230/460 | 96.0/48.0      | 1.15           | 324JM  | TCP71012     | E+   | F                | ✓         | 30.0     | 91.7       | 362,364 |
| 40 | 3535 | 230/460 | 96.0/48.0      | 1.15           | 324JP  | TCP72012     | E+   | F                | ✓         | 32.8     | 91.7       | 362,364 |
| 40 | 1765 | 230/460 | 96.0/48.0      | 1.15           | 324JM  | TCP71037     | E+   | F                | ✓         | 30.0     | 93.0       | 362,364 |
| 40 | 1765 | 230/460 | 96.0/48.0      | 1.15           | 324JP  | TCP72037     | E+   | F                | ✓         | 32.8     | 93.0       | 362,364 |
| 50 | 3550 | 230/460 | 120.0/60.0     | 1.15           | 326JM  | TCP71013     | E+   | F                | ✓         | 31.6     | 92.4       | 362,364 |
| 50 | 3550 | 230/460 | 120.0/60.0     | 1.15           | 326JP  | TCP72013     | E+   | F                | ✓         | 34.5     | 92.4       | 362,364 |
| 50 | 3550 | 575     | 48             | 1.15           | 326JM  | TCP74013     | E+   | F                | ✓         | 31.6     | 92.4       |         |
| 50 | 1765 | 230/460 | 118.0/59.0     | 1.15           | 326JM  | TCP71038     | E+   | F                | ✓         | 31.6     | 5.0        | 362,364 |
| 50 | 1765 | 230/460 | 118.0/59.0     | 1.15           | 326JP  | TCP72038     | E+   | F                | ✓         | 34.5     | 93.0       | 362,364 |

### Notes:

1. Item to be discontinued when stock is depleted
362. 12 lead – Capability for Y Start-Delta Run
363. Double shielded bearings with no regreasing provisions
364. Open bearings with regreasing provisions



Motors specially designed, tested and warranted to be **Corona-Free** for compatible inverter duty are marked on this page with a ⚡ See page 4 and 5 of this catalog for more Speed Engineered® motors information.





# Century® Close-Coupled Pump Motors

## Types JM, JP and TCZ – Single-Phase – Horizontal – Dripproof – Rigid Base 3600 and 1800 RPM – 1 thru 10 HP

### Features:

- Double Sealed Ball Bearings
- External Slinger
- Reversible
- 60 Hz
- 40°C Ambient
- Oversized, Locked Shaft End Bearing
- Frame Suffix Letters JM and JP Designate NEMA Standard Motors
- Frame Suffix TCZ Designates Century West Coast Pump Standard Motors

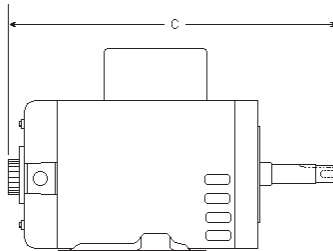


**Applications:** Designed for the specific requirements of centrifugal pumps.

| HP    | RPM  | Volts   | Full Load Amps | Service Factor | Frame  | Stock Number | Enclosure | Insulation Class | Protector | "C" Dim. | Efficiency | Notes |
|-------|------|---------|----------------|----------------|--------|--------------|-----------|------------------|-----------|----------|------------|-------|
| 1     | 1745 | 115/230 | 15.0/7.5       | 1.15           | 143JM  | P121         | ODP       | B                | None      | 15.6     |            | 21    |
| 1     | 1745 | 115/230 | 15.0/7.5       | 1.15           | 143JP  | P126         | ODP       | B                | None      | 18.6     |            | 21    |
| 1 1/2 | 3450 | 115/230 | 16.0/8.0       | 1.15           | 143JM  | P122         | ODP       | B                | None      | 15.6     |            | 21    |
| 1 1/2 | 1725 | 115/230 | 15.0/7.5       | 1.15           | 145JM  | P123         | ODP       | B                | None      | 16.3     |            | 21    |
| 1 1/2 | 1745 | 115/230 | 18.0/9.0       | 1.15           | 145JP  | P128         | ODP       | B                | None      | 18.6     |            | 21    |
| 2     | 3450 | 115/230 | 19.2/9.6       | 1.15           | 145JM  | P124         | ODP       | B                | None      | 15.5     |            | 21    |
| 2     | 1745 | 115/230 | 20.4/10.2      | 1.15           | 182JM  | P137         | ODP       | B                | None      | 16.3     |            | 21    |
| 2     | 1750 | 115/230 | 25.0/12.5      | 1.15           | 182JM  | P228         | ODP       | B                | None      | 16.0     | 72.5       |       |
| 2     | 1750 | 115/230 | 25.0/12.5      | 1.15           | 182JP  | P232         | ODP       | B                | None      | 18.9     | 72.5       |       |
| 3     | 3450 | 230     | 13.4           | 1.15           | 182JM  | P130         | ODP       | B                | None      | 16.1     |            | 21    |
| 3     | 3450 | 230     | 13.4           | 1.15           | 182JP  | P131         | ODP       | B                | None      | 19.4     |            | 21    |
| 3     | 3500 | 115/230 | 34.0/17.0      | 1.15           | 182JM  | P229         | ODP       | B                | None      | 16.0     | 72.0       |       |
| 3     | 1750 | 115/230 | 34.0/17.0      | 1.15           | 184JM  | P230         | ODP       | B                | None      | 17.0     | 77.0       |       |
| 5     | 3450 | 230     | 20.0           | 1.15           | 184JM  | P140         | ODP       | B                | None      | 17.1     | 83.9       | 160   |
| 5     | 3450 | 200     | 24.0           | 1.15           | 184JM  | P133         | ODP       | B                | None      | 17.0     |            | 21    |
| 5     | 3520 | 230     | 26.0           | 1.15           | 184JM  | P231         | ODP       | B                | None      | 17.0     | 77.0       |       |
| 5     | 3500 | 230     | 26.0           | 1.15           | 184JP  | P235         | ODP       | B                | None      | 20.1     | 78.5       |       |
| 5     | 3520 | 230     | 26.0           | 1.15           | 184TCZ | P212         | ODP       | B                | None      | 20.1     | 77.0       |       |
| 5     | 1750 | 230     | 25.0           | 1.15           | 213JM  | P317         | ODP       | B                | None      | 17.6     | 81.0       |       |
| 5     | 1750 | 230     | 25.0           | 1.15           | 213JP  | P324         | ODP       | B                | None      | 21.5     | 81.0       |       |
| 5     | 1750 | 230     | 25.0           | 1.15           | 213TCZ | P312         | ODP       | B                | None      | 20.7     | 81.0       |       |
| 7 1/2 | 3500 | 230     | 39.0           | 1.15           | 213JM  | P318         | ODP       | B                | None      | 17.6     | 77.0       |       |
| 7 1/2 | 3500 | 230     | 39.0           | 1.15           | 213JP  | P325         | ODP       | B                | None      | 21.5     | 77.0       |       |
| 7 1/2 | 3500 | 230     | 39.0           | 1.15           | 213TCZ | P311         | ODP       | B                | None      | 20.7     | 77.0       |       |
| 7 1/2 | 1750 | 230     | 32.0           | 1.15           | 215JM  | P319         | ODP       | B                | None      | 19.1     | 86.0       |       |
| 7 1/2 | 1750 | 230     | 32.0           | 1.15           | 215JP  | P326         | ODP       | B                | None      | 23.0     | 86.0       |       |
| 7 1/2 | 1750 | 230     | 32.0           | 1.15           | 215TCZ | P313         | ODP       | B                | None      | 22.2     | 86.0       |       |
| 10    | 3500 | 230     | 42.0           | 1.15           | 215JM  | P320         | ODP       | B                | None      | 19.2     | 83.8       |       |
| 10    | 3500 | 230     | 42.0           | 1.15           | 215JP  | P327         | ODP       | B                | None      | 22.2     | 83.8       |       |
| 10    | 3500 | 230     | 42.0           | 1.15           | 215TCZ | P321         | ODP       | B                | None      | 22.2     | 83.8       |       |

### Notes:

21. Terminal in bracket construction  
160. Non-reversible, connected for CW facing end opposite shaft



# Carbonator Pump Motors

## Features:

- Auto Protector
- Split Phase
- Class B Insulation
- 48 Frame
- Mount 48Y
- Special Shaft
- 60 Hz
- 40°C Ambient
- Sleeve Bearings



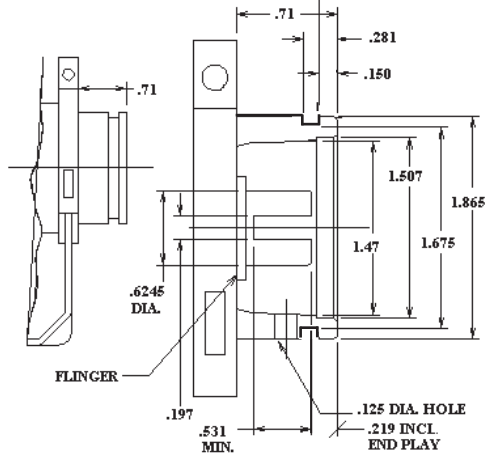
CB2024AV1

| HP  | RPM       | Volts           | Full Load Amps  | Service Factor | Frame | Stock Number | Base/ Mounting | Enclosure | Rotation | "C" Dim. | Notes              |
|-----|-----------|-----------------|-----------------|----------------|-------|--------------|----------------|-----------|----------|----------|--------------------|
| 1/4 | 1725      | 115             | 4.4             | 1.00           | 48Y   | CB2024AV1    | Resilient Base | Open      | REV      | 8.1      | 179,319            |
| 1/4 | 1725/1425 | 115/230         | 4.0/2.0         | 1.00           | 48Y   | CB2024AD     | Resilient Base | Open      | CCWLE    | 8.1      | 6,319              |
| 1/4 | 1725/1425 | 115/230         | 4.0/2.0         | 1.00           | 48Y   | CB2024ADV1   | Resilient Base | Open      | CCW      | 8.6      | 6,319, <b>New!</b> |
| 1/4 | 1425/1725 | 208-240         | 2.7-3.3/2.3-2.5 | 1.00           | 48Y   | CBH2024A     | Resilient Base | Open      | CCW      | 8.6      | 6,319, <b>New!</b> |
| 1/3 | 1725      | 115             | 6.2             | 1.00           | 48Y   | CB2034A      | Resilient Base | Open      | CCWLE    | 8.6      | 319                |
| 1/3 | 1725      | 115             | 6.2             | 1.00           | 48Y   | CB2034AV1    | Resilient Base | Open      | CCW      | 8.6      | 319, <b>New!</b>   |
| 1/3 | 1725      | 115             | 6.2             | 1.00           | 48Y   | CB2034ARB    | Rigid Base     | Open      | CCW      | 8.6      | 319, <b>New!</b>   |
| 1/3 | 1725/1425 | 115/230         | 4.6/2.3         | 1.00           | 48    | CB2034AD     | Resilient Base | ODP       | REV      | 8.6      | 6,319              |
| 1/3 | 1725/1425 | 100-120/200-240 | 4.6/2.3         | 1.00           | 48    | CB2034ADV1   | Resilient Base | ODP       | REV      | 8.6      | 6,319, <b>New!</b> |
| 1/3 | 1725/1425 | 100-120/200-240 | 4.6/2.3         | 1.00           | 48    | CB2034ADRB   | Resilient Base | ODP       | REV      | 8.6      | 6,319, <b>New!</b> |
| 1/2 | 1725/1425 | 115/230         | 6.8/3.4         | 1.00           | 48    | CB2054AD     | Resilient Base | Open      | REV      | 8.8      | 6,319              |
| 1/2 | 1725/1425 | 100-120/200-240 | 6.8/3.4         | 1.00           | 48    | CB2054ADV1   | Resilient Base | Open      | REV      | 8.8      | 6,319              |

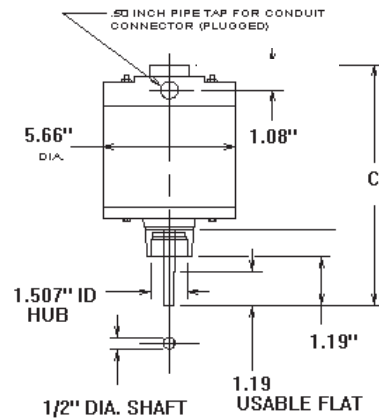
## Note:

- 6. 50/60 HZ
- 179. Low Amps
- 319. "C" Dimension is the total length including shaft

## CARBONATOR PUMP MOTOR HUB DIMENSIONS



## SUMP PUMP MOTOR DIMENSIONS



# Sump Pump Motors

## Features:

- Auto Protector
- Split Phase
- Sleeve Bearings
- Shaft Diameter 1/2" Flat
- 48 Frame
- 1.507" I.D. Hub
- 60 HZ



SP2030A

| HP  | RPM  | Volts | Full Load Amps | Service Factor | Frame | Stock Number | Insulation Class | Enclosure | Rotation | "C" Dim. | Notes   |
|-----|------|-------|----------------|----------------|-------|--------------|------------------|-----------|----------|----------|---------|
| 1/3 | 1725 | 115   | 6.0            | 1.00           | 48Y   | SP2030A      | B                | Open      | CWLE     | 9.3      | 319     |
| 1/3 | 1725 | 115   | 6.0            | 1.00           | 48Y   | SP2034A      | B                | Open      | CWLE     | 9.3      | 195,319 |
| 1/2 | 1725 | 115   | 7.3            | 1.00           | 48Y   | SP2050A      | B                | Open      | REV      | 9.8      | 319     |

## Notes:

- 195. Includes 6' cord and switch
- 319. "C" Dimension is the total length including shaft

# Century® Belt Drive Elevator Motors

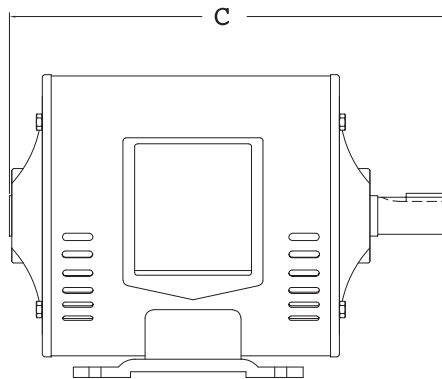
## Three Phase - Horizontal - Dripproof - Rigid Base - 1800 & 3600 RPM - 10 thru 60 HP

### Features:

- 120 Starts Per Hour, 40°C Ambient
- 80 Starts Per Hour 65°C Ambient
- Wye-Delta Start
- One Frame Size Smaller Than Standard
- 60 Hz
- Rigid Base



| HP | RPM  | Volts   | Full Load Amps | Service Factor | Frame | Stock Number | Bearings | Enclosure | Insulation |           | Rotation | "C" Dim. |
|----|------|---------|----------------|----------------|-------|--------------|----------|-----------|------------|-----------|----------|----------|
|    |      |         |                |                |       |              |          |           | Class      | Protector |          |          |
| 10 | 1750 | 200     | 30.0           | 1.00           | 213T  | R352         | Ball     | ODP       | F          | None      | CCW      | 15.6     |
| 10 | 1750 | 230/460 | 26.0/13.0      | 1.00           | 213T  | R353         | Ball     | ODP       | F          | None      | CCW      | 15.6     |
| 15 | 3480 | 230/460 | 37.0/18.5      | 1.00           | 213T  | R344         | Ball     | ODP       | F          | None      | CCW      | 17.3     |
| 15 | 1750 | 200     | 44.0           | 1.00           | 215T  | R354         | Ball     | ODP       | F          | None      | CCW      | 16.6     |
| 15 | 1750 | 230/460 | 38.0/19.0      | 1.00           | 215T  | R355         | Ball     | ODP       | F          | None      | CCW      | 16.6     |
| 20 | 3480 | 230/460 | 50.0/25.0      | 1.00           | 215T  | R345         | Ball     | ODP       | F          | None      | CCW      | 17.5     |
| 20 | 1740 | 200     | 61.0           | 1.00           | 254T  | R450         | Ball     | ODP       | F          | None      | RCC      | 22.1     |
| 20 | 1740 | 230/460 | 54.0/27.0      | 1.15           | 254T  | R451         | Ball     | ODP       | F          | None      | CCW      | 22.1     |
| 25 | 3525 | 230/460 | 60.0/30.0      | 1.00           | 254T  | R422         | Ball     | ODP       | F          | None      | CCW      | 22.1     |
| 25 | 1740 | 200     | 75.5           | 1.00           | 256T  | R452         | Ball     | ODP       | F          | None      | RCC      | 22.1     |
| 25 | 1740 | 230/460 | 66.0/33.0      | 1.00           | 256T  | R453         | Ball     | ODP       | F          | None      | RCC      | 22.1     |
| 30 | 3520 | 230/460 | 74.0/37.0      | 1.00           | 256T  | R423         | Ball     | ODP       | F          | None      | CCW      | 22.1     |
| 30 | 1750 | 200     | 85.0           | 1.00           | 284T  | R550         | Ball     | ODP       | F          | None      | RCC      | 24.3     |
| 30 | 1750 | 230/460 | 74.0/37.0      | 1.00           | 284T  | R551         | Ball     | ODP       | F          | None      | RCC      | 24.3     |
| 40 | 3520 | 230/460 | 94.0/47.0      | 1.00           | 284T  | R424         | Ball     | ODP       | F          | None      | CCW      | 24.3     |
| 40 | 1750 | 200     | 113.0          | 1.00           | 286T  | R552         | Ball     | ODP       | F          | None      | RCC      | 24.3     |
| 40 | 1750 | 230/460 | 98.0/49.0      | 1.00           | 286T  | R553         | Ball     | ODP       | F          | None      | RCC      | 24.3     |
| 50 | 1750 | 200     | 141.0          | 1.00           | 324T  | R612         | Ball     | ODP       | F          | None      | RCC      | 26.8     |
| 50 | 1750 | 230/460 | 122.0/61.0     | 1.00           | 324T  | R613         | Ball     | ODP       | F          | None      | RCC      | 26.8     |
| 60 | 1750 | 230/460 | 146.0/73.0     | 1.00           | 326T  | R615         | Ball     | ODP       | F          | None      | RCC      | 28.3     |



# Century® Submersible Elevator Motors

## Single Phase and Three Phase – Horizontal – Open Oil Cooled Rigid Base – 3600 RPM – 3 thru 30 HP



### Features:

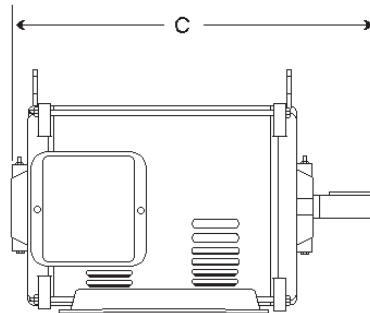
- 30 Min. Duty, 120 Starts Per Hour in 40°C Oil
- 80 Starts Per Hour in 80°C Oil, 30% Time On
- Wye-Delta Start on Three Phase Only
- 120°C Thermostat Tied to Winding with Leads Brought Out
- 60 Hz

### Single Phase • Permanent Split Capacitor

| HP    | RPM  | Volts   | Full Load Amps | Service Factor | Frame | Stock Number | Bearings | Base/ Mounting | Enclosure | Insul Class | Rotation | “C” Dim. |
|-------|------|---------|----------------|----------------|-------|--------------|----------|----------------|-----------|-------------|----------|----------|
| 3     | 3450 | 208-230 | 20.0-16.4      | 1.00           | 182TY | <b>R265</b>  | Ball     | Rigid Base     | ODP       | F           | CW       | 12.8     |
| 5     | 3450 | 208-230 | 23.4-21.0      | 1.00           | 182TY | <b>R267</b>  | Ball     | Rigid Base     | ODP       | F           | CW       | 12.8     |
| 7 1/2 | 3450 | 208-230 | 32.6-30.0      | 1.00           | 182TY | <b>R275</b>  | Ball     | Rigid Base     | ODP       | F           | CW       | 12.8     |
| 10    | 3470 | 208-230 | 43.0-40.0      | 1.00           | 182TY | <b>R278</b>  | Ball     | Rigid Base     | ODP       | F           | CW       | 13.3     |

### Three Phase • Permanent Split Capacitor

|       |      |         |           |      |       |               |      |            |     |   |    |      |
|-------|------|---------|-----------|------|-------|---------------|------|------------|-----|---|----|------|
| 5     | 3475 | 208     | 14.0      | 1.00 | 184TY | <b>R266</b>   | Ball | Rigid Base | ODP | F | CW | 12.8 |
| 5     | 3450 | 230/460 | 13.0/6.5  | 1.00 | 184TY | <b>R268</b>   | Ball | Rigid Base | ODP | F | CW | 12.8 |
| 7 1/2 | 3440 | 208     | 21.5      | 1.00 | 184TY | <b>R269</b>   | Ball | Rigid Base | ODP | F | CW | 12.8 |
| 7 1/2 | 3445 | 230/460 | 20.0/10.0 | 1.00 | 184TY | <b>R276</b>   | Ball | Rigid Base | ODP | F | CW | 12.8 |
| 10    | 3475 | 208     | 26.0      | 1.00 | 184TY | <b>R277</b>   | Ball | Rigid Base | ODP | F | CW | 12.8 |
| 10    | 3475 | 230/460 | 24.0/12.0 | 1.00 | 184TY | <b>R279</b>   | Ball | Rigid Base | ODP | F | CW | 12.8 |
| 15    | 3450 | 200     | 43.5      | 1.00 | 184TY | <b>R260</b>   | Ball | Rigid Base | ODP | F | CW | 14.6 |
| 15    | 3450 | 230/460 | 37.8/18.9 | 1.00 | 184TY | <b>R261</b>   | Ball | Rigid Base | ODP | F | CW | 14.6 |
| 20    | 3400 | 200     | 58.7      | 1.00 | 184TY | <b>R270</b>   | Ball | Rigid Base | ODP | F | CW | 13.6 |
| 20    | 3400 | 230/460 | 51.0/25.5 | 1.00 | 184TY | <b>R271</b>   | Ball | Rigid Base | ODP | F | CW | 13.6 |
| 25    | 3415 | 200     | 71.0      | 1.00 | 184TY | <b>R280</b>   | Ball | Rigid Base | ODP | F | CW | 13.3 |
| 25    | 3415 | 230/460 | 62.0/31.0 | 1.00 | 184TY | <b>R281</b>   | Ball | Rigid Base | ODP | F | CW | 13.3 |
| 25    | 3415 | 460     | 31.0      | 1.00 | 184TY | <b>R284</b>   | Ball | Rigid Base | ODP | F | CW | 13.3 |
| 30    | 3460 | 200     | 94.0      | 1.00 | 184TY | <b>R290V1</b> | Ball | Rigid Base | ODP | F | CW | 17.6 |
| 30    | 3460 | 230/460 | 72.0/36.0 | 1.00 | 184TY | <b>R291V1</b> | Ball | Rigid Base | ODP | F | CW | 17.6 |
| 30    | 3460 | 460     | 36.0      | 1.00 | 184TY | <b>R294V1</b> | Ball | Rigid Base | ODP | F | CW | 17.6 |



# Century® Industrial Inverter-Duty Motors

## Three Phase – TENV & TEFC – Rigid Base – 1800 & 1200 RPM – 1/4 thru 5 HP

### Features:

- Ball Bearing
- Reversible
- TENV is suitable for constant torque operation from 6-60 Hz
- TEFC is suitable for constant torque operation from 15-60 Hz or variable torque from 10-60 Hz
- Meets NEMA MG-31 Inverter duty performance specifications
- 60 Hz
- Energy Efficient
- NEMA Design B



**Applications:** Especially designed for use with adjustable speed controls using IGBT technology.

## Century® E-Plus® Fractional HP Inverter-Duty

| HP  | RPM  | Volts       | Full Load Amps | Service Factor | Frame | Stock Number   | Type | Enclosure | Insul Class | Rotation | "C" Dim. | Notes     |
|-----|------|-------------|----------------|----------------|-------|----------------|------|-----------|-------------|----------|----------|-----------|
| 1/4 | 1800 | 208-230/460 | 1.2-1.1/1.55   | 1.00           | 56C   | <b>E183</b> ⚡  | E+   | TENV      | B           | RCC      | 9.54     |           |
| 1/3 | 1725 | 208-230/460 | 1.2-1.2/1.6    | 1.00           | 56C   | <b>E182</b> ⚡  | E+   | TENV      | B           | RCC      | 10.2     | 1         |
| 1/3 | 1725 | 208-230/460 | 1.2-1.2/1.6    | 1.00           | 56C   | <b>E182L</b> ⚡ | E+   | TENV      | B           | RCC      |          | New!      |
| 1/3 | 1140 | 208-230/460 | 1.8-1.6/1.8    | 1.00           | 56C   | <b>E185</b> ⚡  | E+   | TENV      | B           | RCC      | 10.2     |           |
| 1/2 | 1725 | 208-230/460 | 1.7-1.6/1.8    | 1.00           | 56C   | <b>E181L</b> ⚡ | E+   | TENV      | B           | RCC      | 10.5     | 144, New! |
| 1/2 | 1140 | 208-230/460 | 2.1-2.0/1.0    | 1.00           | 56C   | <b>E186</b> ⚡  | E+   | TENV      | B           | RCC      | 11.0     |           |
| 3/4 | 1725 | 208-230/460 | 2.3-2.2/1.1    | 1.00           | 56C   | <b>E180</b> ⚡  | E+   | TENV      | B           | RCC      | 11.0     | 1         |
| 3/4 | 1725 | 208-230/460 | 2.3-2.2/1.1    | 1.00           | 56C   | <b>E180L</b> ⚡ | E+   | TENV      | B           | RCC      | 11.2     | New!      |
| 3/4 | 1140 | 208-230/460 | 3.1-3.1/1.55   | 1.00           | 56C   | <b>E187</b> ⚡  | E+   | TEFC      | B           | RCC      | 12.2     |           |

## Century® Industrial E-Plus® Integral HP Inverter-Duty

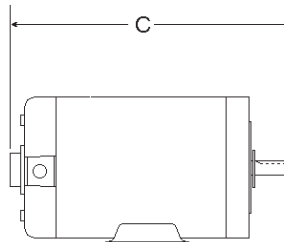
| HP                      | RPM  | Volts   | Full Load Amps | Service Factor | Frame | Stock Number    | Type    | Enclosure | Insul Class | Rotation | "C" Dim. | Notes      |
|-------------------------|------|---------|----------------|----------------|-------|-----------------|---------|-----------|-------------|----------|----------|------------|
| <b>Standard Bracket</b> |      |         |                |                |       |                 |         |           |             |          |          |            |
| 1                       | 1730 | 230/460 | 2.8/1.4        | 1.15           | 143T  | <b>T57026</b> ⚡ | E+3(NP) | TEFC      | F           | 13.2     | 85.5     | 11,361,363 |
| 2                       | 1730 | 230/460 | 5.6/2.8        | 1.15           | 145T  | <b>T57028</b> ⚡ | E+3(NP) | TEFC      | F           | 13.2     | 86.5     | 11,361,363 |
| <b>NEMA "C" Bracket</b> |      |         |                |                |       |                 |         |           |             |          |          |            |
| 5                       | 1740 | 230/460 | 12.4/6.2       | 1.15           | 184TC | <b>E237</b> ⚡   | E+      | TEFC      | B           | 16.3     | 87.5     | 1,144      |

### Notes:

- Item to be discontinued when stock is depleted
- C Flange kit available
- Service Factor 1.0 used on non-sinusoidal voltage wave forms
- 9 Leads
- Double shielded bearings with no regreasing provisions



Motors specially designed, tested and warranted to be **Corona-Free** for compatible inverter duty are marked on this page with a ⚡ See page 4 and 5 of this catalog for more Speed Engineered® motors information.



# Century® Industrial PMDC Washdown Motors

## PMDC Washdown Motor - 90 and 180 Volts - 1725 RPM - TEFC - 1/4 thru 1 HP Removable Rigid Base

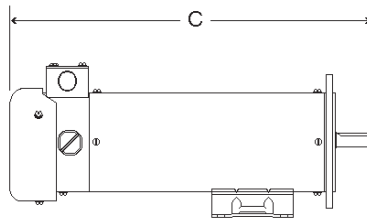
### Features:

- Double Sealed Ball Bearings
- USDA Approved Epoxy Primer and Paint
- Stainless Steel Shaft and Drain Plugs
- Treated Interior Surfaces
- Continuous Duty
- SCR Rated
- Skewed Armature for Smooth, Quiet Operation
- Shaft Seals
- Gasketed Construction
- 40°C Ambient
- UL/CSA/CE Approved



**Applications:** Designed for washdown applications in agriculture, marine, transportation and processing industries.

| HP  | RPM  | Voltage (VDC) | Amps | Frame | Stock Number | Bearings | Base/ Mounting | Enclosure | Insul. Class | "C" Dim. |
|-----|------|---------------|------|-------|--------------|----------|----------------|-----------|--------------|----------|
| 1/4 | 1725 | 90            | 3.0  | 56C   | D203         | Ball     | Rigid Base     | TEFC      | H            | 10.7     |
| 1/3 | 1725 | 90            | 3.5  | 56C   | D204         | Ball     | Rigid Base     | TEFC      | H            | 11.1     |
| 1/2 | 1725 | 90            | 5.4  | 56C   | D205         | Ball     | Rigid Base     | TEFC      | F            | 12.9     |
| 1/2 | 1725 | 180           | 2.7  | 56C   | D206         | Ball     | Rigid Base     | TEFC      | F            | 12.9     |
| 3/4 | 1725 | 90            | 8.0  | 56C   | D207         | Ball     | Rigid Base     | TEFC      | F            | 14.5     |
| 3/4 | 1725 | 180           | 3.85 | 56C   | D208         | Ball     | Rigid Base     | TEFC      | H            | 14.9     |
| 1   | 1725 | 90            | 10   | 56C   | D209         | Ball     | Rigid Base     | TEFC      | H            | 16.9     |
| 1   | 1725 | 180           | 5.0  | 56C   | D210         | Ball     | Rigid Base     | TEFC      | F            | 16.9     |





# Century® Industrial DC Elevator Door Motors

## Features:

- Class B or F Insulation
- 40°C Ambient
- Ball Bearings



| HP   | RPM  | Voltage (VDC) | Arm. Amps | Frame | Stock Number | Base  | Insulation Class | "C" Dim. | Enclosure | Notes |
|--|------|---------------|-----------|-------|--------------|-------|------------------|----------|-----------|-------|
| <b>Montgomery Elevator—DN Shunt Wound</b>  |      |               |           |       |              |       |                  |          |           |       |
| 1/4  | 1200 | 230           | 1.16      | 56    | D003         | Rigid | B                | 12.6     | TENV      | 1     |
| 1/3  | 3500 | 115/230       | 2.75/1.09 | 56    | D002         | Rigid | B                | 11.2     | Open D.P. | 1     |
| 1/2  | 1140 | 230           | 2.25      | 56C   | D004         | Rigid | B                | 13.9     | Open D.P. | 1     |
| <b>G.A.L. Door Opener—DN Shunt Wound</b>   |      |               |           |       |              |       |                  |          |           |       |
| 1/6  | 1150 | 230           | .80       | 56    | D005         | Rigid | F                | 10.8     | Open D.P. | 1     |
| <b>Moline/Montgomery Permanent Magnet</b>  |      |               |           |       |              |       |                  |          |           |       |
| 1/6  | 1140 | 24            | 7.5       |       | D006         | Rigid | F                | 8.5      | TENV      |       |
| <b>Adams Elevator—Permanent Magnet</b>     |      |               |           |       |              |       |                  |          |           |       |
| 1/6  | 1140 | 230           | .80       |       | D007         | Rigid | F                | 8.5      | TENV      |       |
| <b>Schindler Elevator—Permanent Magnet</b> |      |               |           |       |              |       |                  |          |           |       |
| 1/6  | 1150 | 170           | 1.7       |       | D008         | None  | F                | 9.0      | TENV      |       |
| <b>Guilbert Elevator—Permanent Magnet</b>  |      |               |           |       |              |       |                  |          |           |       |
| 1/12                                       | 300  | 95            | 1.6       |       | D009         | None  | F                | 9.5      | TENV      |       |

### Notes:

1. Item to be discontinued when stock is depleted

# Century® Industrial DC Carpet Cleaning Motor

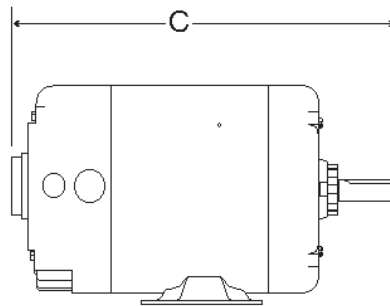
## Features:

- 40°C Ambient
- Reversible
- Special Duty
- Ball Bearings

| HP  | RPM  | Voltage (VDC) | Amps | Stock Number | Base       | Insulation Class | "C" Dim. | Enclosure | Notes |
|-----|------|---------------|------|--------------|------------|------------------|----------|-----------|-------|
| 1/3 | 1800 | 90            | 3.0  | D090         | Adjustable | F                | 9.2      | TEFC      | 1     |

### Notes:

1. Item to be discontinued when stock is depleted



# Century® V-Pak PMDC Adjustable Speed Packages

**Integral PMDC Motor with Plug-In & Run Speed Control – 115V or 230V  
Single Phase AC Input – Full Torque at 90:1 Speed Range – TEFC – C-Face  
Removable Base – Class H Insulation – 1725 RPM – 1/4 thru 1 HP**

## Features:

- 40°C Ambient
- Continuous Duty
- Skewed Armature for Smooth, Quiet Operation



D303

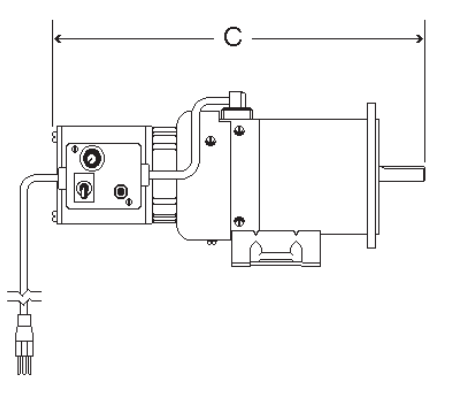
**Applications:** Blowers, Mixers, Conveyors, Fans, Packaging Equipment, Power Transmission, Pumps.

| HP  | RPM  | Voltage | Amps | Frame | Stock Number | Bearings | Base/<br>Mounting | Enclosure | Insul.<br>Class | Rotation*    | "C"<br>Dim. | Notes |
|-----|------|---------|------|-------|--------------|----------|-------------------|-----------|-----------------|--------------|-------------|-------|
| 1/3 | 1725 | 90      | 3.5  | 56C   | D303         | Ball     | Removable Base    | TEFC      | H               | Switched Rev | 16.3        | 1     |
| 1/2 | 1725 | 90      | 5.5  | 56C   | D306         | Ball     | Removable Base    | TEFC      | H               | Wired CCW    | 18.1        | 1,170 |
| 3/4 | 1725 | 90      | 8.1  | 56C   | D307         | Ball     | Removable Base    | TEFC      | H               | Switched Rev | 20.1        | 1     |
| 3/4 | 1725 | 90      | 8.1  | 56C   | D308         | Ball     | Removable Base    | TEFC      | H               | Wired CCW    | 20.1        | 1,170 |
| 1   | 1725 | 180     | 5.0  | 56C   | D312         | Ball     | Removable Base    | TEFC      | H               | Wired CCW    | 22.1        | 1,170 |

## Notes:

1. Item to be discontinued when stock is depleted
170. Motor may be rewired to run CW

\*Rotation viewed facing control end



# Century® Industrial Permanent Magnet Direct Current Motors

**For Rectified Power – Totally Enclosed Non-Ventilated & Totally Enclosed Fan-Cooled  
No Base & Rigid Base – 2500, 1750 & 1725 RPM**

**20:1 Speed Range at Constant Torque – 1/8 thru 3 HP**



D016

**Features:**

- 40°C Ambient
- SCR Rated
- Continuous Duty
- UL Class H Insulation File #E46316
- UL Recognized Construction File #55476
- Skewed armature for smooth quiet operation
- CE Approved
- CSA Certified File #LR39033

If bolt is removed, bolt holes must be plugged in order to maintain NEMA Totally-Enclosed standards.  
If base bolts are used without base, us a 1/4" thick washer to prevent interference with motor rotation.

| HP  | RPM  | Voltage | Amps  | Frame  | Stock Number | Bearings | Base/<br>Mounting | Enclosure | Insul.<br>Class | Rotation* | "C"<br>Dim. | Notes |
|---|------|---------|-------|--------|--------------|----------|-------------------|-----------|-----------------|-----------|-------------|-------|
| <b>90 Volt Armature • Permanent Magnet Field</b>  |      |         |       |        |              |          |                   |           |                 |           |             |       |
| 1/8   | 1725 | 90      | 1.46  | 48C    | D019         | Ball     | Removable Rigid   | TENV      | H               | REV       | 8.6         |       |
| 1/8   | 1725 | 90      | 1.46  | 56C    | D027         | Ball     | No Base           | TENV      | H               |           | 9.0         |       |
| 1/8   | 1725 | 90      | 1.46  | 56C    | D036         | Ball     | Removable Rigid   | TENV      | F               |           | 9.0         |       |
| 1/6   | 1725 | 90      | 1.70  | 42CZ   | D014         | Ball     | No Base           | TENV      | H               |           | 8.8         | 168   |
| 1/6   | 1725 | 90      | 1.93  | 48C    | D020         | Ball     | Removable Rigid   | TEFC      | F               |           | 9.3         |       |
| 1/4   | 1725 | 90      | 2.77  | 42CZ   | D016         | Ball     | No Base           | TEFC      | F               |           | 9.9         | 168   |
| 1/4   | 1725 | 90      | 2.77  | 48C    | D021         | Ball     | Removable Rigid   | TEFC      | F               |           | 9.3         |       |
| 1/4   | 1725 | 90      | 2.77  | 56C    | D029         | Ball     | No Base           | TEFC      | F               |           | 10.7        |       |
| 1/4   | 1725 | 90      | 2.77  | 56C    | D038         | Ball     | Removable Rigid   | TEFC      | F               |           | 10.7        |       |
| 1/4   | 1725 | 90      | 2.85  | 56C    | D030         | Ball     | No Base           | TENV      | F               |           | 9.3         |       |
| 1/4   | 1725 | 90      | 2.85  | 56C    | D039         | Ball     | Removable Rigid   | TENV      | F               |           | 9.3         |       |
| 1/3   | 1725 | 90      | 3.60  | 56C    | D031         | Ball     | No Base           | TENV      | F               |           | 10.1        |       |
| 1/3   | 1725 | 90      | 3.60  | 56C    | D040         | Ball     | Removable Rigid   | TENV      | F               |           | 10.1        |       |
| 1/2   | 2500 | 90      | 5.70  | 56C    | D066         | Ball     | Removable Rigid   | TENV      | F               | REV       | 10.1        |       |
| 1/2   | 1725 | 90      | 5.35  | 56C    | D032         | Ball     | No Base           | TEFC      | F               |           | 12.6        |       |
| 1/2   | 1725 | 90      | 5.35  | 56C    | D041         | Ball     | Removable Rigid   | TEFC      | F               |           | 12.6        |       |
| 1/2   | 1725 | 90      | 5.50  | 56C    | D033         | Ball     | No Base           | TENV      | H               |           | 13.1        |       |
| 1/2   | 1725 | 90      | 5.50  | 56C    | D042         | Ball     | Removable Rigid   | TENV      | F               |           | 13.1        |       |
| 3/4   | 2500 | 90      | 8.10  | 56C    | D059         | Ball     | Removable Rigid   | TEFC      | F               |           | 12.6        |       |
| 3/4   | 1725 | 90      | 8.10  | 56C    | D034         | Ball     | No Base           | TEFC      | F               | REV       | 14.6        |       |
| 3/4   | 1725 | 90      | 8.10  | 56C    | D043         | Ball     | Removable Rigid   | TEFC      | F               | REV       | 14.6        |       |
| 1   | 2500 | 90      | 10.80 | 56C    | D076         | Ball     | Removable Rigid   | TEFC      | F               | REV       | 15.1        |       |
| 1   | 1725 | 90      | 10.00 | 56C    | D035         | Ball     | No Base           | TEFC      | F               | REV       | 16.6        |       |
| 1   | 1725 | 90      | 10.00 | 56C    | D044         | Ball     | Removable Rigid   | TEFC      | F               | REV       | 16.6        |       |
| <b>180 Volt Armature • Permanent Magnet Field</b> |      |         |       |        |              |          |                   |           |                 |           |             |       |
| 1/3   | 1725 | 180     | 1.78  | 56C    | D092         | Ball     | No Base           | TENV      | F               | REV       | 10.1        |       |
| 1/2   | 2500 | 180     | 2.60  | 56C    | D053         | Ball     | No Base           | TENV      | F               | REV       | 10.1        |       |
| 1/2   | 1725 | 180     | 2.60  | 56C    | D052         | Ball     | No Base           | TEFC      | F               |           | 12.6        |       |
| 1/2   | 1725 | 180     | 2.60  | 56C    | D060         | Ball     | Removable Rigid   | TEFC      | F               |           | 12.6        |       |
| 1/2   | 1725 | 180     | 2.80  | 56C    | D068         | Ball     | No Base           | TENV      | H               | REV       | 13.1        |       |
| 3/4   | 1725 | 180     | 4.00  | 56C    | D054         | Ball     | No Base           | TEFC      | F               | REV       | 14.6        |       |
| 3/4   | 1725 | 180     | 4.00  | 56C    | D061         | Ball     | Removable Rigid   | TEFC      | F               | REV       | 14.6        |       |
| 1   | 2500 | 180     | 6.10  | 56C    | D073         | Ball     | Removable Rigid   | TEFC      | F               | REV       | 15.1        |       |
| 1   | 1725 | 180     | 5.00  | 56C    | D055         | Ball     | No Base           | TEFC      | F               | REV       | 16.6        |       |
| 1   | 1725 | 180     | 5.10  | 56C    | D062         | Ball     | Removable Rigid   | TEFC      | H               | REV       | 16.6        |       |
| 1 1/2   | 2500 | 180     | 7.80  | 143TC  | D074         | Ball     | Removable Rigid   | TEFC      | F               | REV       | 16.4        |       |
| 1 1/2   | 1750 | 180     | 7.00  | 143TC  | D070         | Ball     | No Base           | TEFC      | F               | REV       | 17.9        |       |
| 1 1/2   | 1750 | 180     | 7.00  | 145TC  | D080         | Ball     | Removable Rigid   | TEFC      | F               | REV       | 10.1        |       |
| 2   | 2500 | 180     | 11.20 | 143TC  | D075         | Ball     | Removable Rigid   | TEFC      | F               | REV       | 17.9        |       |
| 2   | 1750 | 180     | 10.00 | 143TC  | D071         | Ball     | No Base           | TEFC      | F               | REV       | 18.9        |       |
| 2   | 1750 | 180     | 10.00 | 145TC  | D081         | Ball     | Removable Rigid   | TEFC      | F               | REV       | 18.9        |       |
| 2   | 1750 | 180     | 10.00 | 143TC  | W200         | Ball     | Removable Rigid   | TEFC      | F               | REV       | 18.9        | 297   |
| 3   | 1750 | 180     | 14.50 | 143TC  | D072         | Ball     | No Base           | TEFC      | F               |           | 21.9        |       |
| 3   | 1750 | 180     | 14.50 | 143TC  | D082         | Ball     | Removable Rigid   | TEFC      | F               | REV       | 21.9        |       |
| 3   | 1750 | 180     | 14.50 | 184ACY | W201         | Ball     | Removable Rigid   | TEFC      | F               |           | 21.9        | 297   |
| 3   | 1750 | 180     | 14.50 | 184TC  | W202         | Ball     | Removable Rigid   | TEFC      | F               | REV       | 22.0        | 297   |

**Notes:**

168. NEMA 42/48 C-Face, 1/2" diameter keyed shaft, 1-5/16" long    297. 184T Base, 4.5" shaft height

## Century® Industrial DC T-Pak Motor Tachometer Packages 9505

**Integral PMDC Motor with On-Board 50V/1000 RPM Tachometer for Closed Loop Motor Speed Control Systems – TEFC – Removable Base – 1725 & 1750 RPM – UL Class F Insulation – Capable of 100:1 Speed Range – 1/4 thru 3 HP**

### Features:

- Ball Bearings
- 40°C Ambient
- “C” Bracket
- UL and CSA Approvable
- SCR Rated
- Skewed Armatures for Smooth, Quiet Operation



| HP  | RPM  | Current Armature | Current Field | Volts | Full Load Amps | Frame | Stock Number | Base/ Mounting | Enclosure | Insul. Class | “C” Dim. | Notes |
|---|------|------------------|---------------|-------|----------------|-------|--------------|----------------|-----------|--------------|----------|-------|
| <b>90 Volt Armature • Permanent Magnet Field</b>  |      |                  |               |       |                |       |              |                |           |              |          |       |
| 1/4   | 1725 |                  |               | 90    | 3.0            | 56C   | D750         | Removable Base | TEFC      | F            | 12.7     | 1     |
| 1/3   | 1725 |                  |               | 90    | 2.8            | 56C   | D751         | Removable Base | TEFC      | F            | 13.1     | 1     |
| 1/2   | 1725 |                  |               | 90    | 5.4            | 56C   | D752         | Removable Base | TEFC      | F            | 14.9     | 1     |
| 3/4   | 1725 |                  |               | 90    | 8.1            | 56C   | D753         | Removable Base | TEFC      | F            | 16.9     | 1     |
| <b>180 Volt Armature • Permanent Magnet Field</b> |      |                  |               |       |                |       |              |                |           |              |          |       |
| 1   | 1725 |                  |               | 180   | 5.4            | 56C   | D757         | Removable Base | TEFC      | F            | 18.9     | 1     |
| 2   | 1750 |                  |               | 180   | 10.0           | 143TC | D759         | Removable Base | TEFC      | F            | 19.9     | 1     |
| 3   | 1750 |                  |               | 180   | 14.5           | 143TC | D760         | Removable Base | TEFC      | F            | 22.9     | 1     |

## Century® Industrial Direct Current Motors

**For Rectified Power – Dripproof & Enclosed – Rigid Base – 3500 & 1750 RPM 20:1 Speed Range at Constant Torque – 1/4 thru 5 HP**

### Features:

- Ball Bearings
- 40°C Ambient
- Removable feet
- CSA Approved
- Type DN Shunt Wound
- NEMA “C” Bracket
- SCR Rated



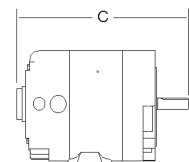
**Applications:** For use with SCR, controllers on conveyors, machine tools, printing presses, and other industrial speed applications.

| HP  | RPM  | Current Armature | Current Field | Volts   | Full Load Amps | Frame | Stock Number | Base/ Mounting | Enclosure | Insul. Class | “C” Dim. | Notes |
|---|------|------------------|---------------|---------|----------------|-------|--------------|----------------|-----------|--------------|----------|-------|
| <b>90 Volt Armature • 100/50 Volt Field</b>   |      |                  |               |         |                |       |              |                |           |              |          |       |
| 1/4   | 1750 | 2.69             | .32/.64       | 100/50  | 2.69           | 56C   | D904         | Rigid Base     | TENV      | F            | 10.8     | 1     |
| 1/3   | 1750 | 3.43             | .42/.84       | 100/50  | 3.43           | 56C   | D906         | Rigid Base     | TENV      | F            | 11.7     | 1     |
| 1/2   | 3500 | 5.10             | .24/.48       | 100/50  | 5.1            | 56C   | D552         | Rigid Base     | TENV      | F            | 11.7     | 1     |
| 1/2   | 1750 | 4.95             | .36/.72       | 100/50  | 4.95           | 56C   | D908         | Rigid Base     | TENV      | F            | 12.6     | 1     |
| 3/4   | 1750 | 7.40             | .70/1.40      | 100/50  | 7.4            | 56C   | D909         | Rigid Base     | ODP       | F            | 12.6     | 1     |
| 3/4   | 1750 | 7.35             | .73/1.46      | 100/50  | 7.35           | 56C   | D910         | Rigid Base     | TEFC      | F            | 14.9     | 1     |
| 1   | 1750 | 9.68             | 1.0/2.0       | 100/50  | 9.68           | 56C   | D912         | Rigid Base     | TEFC      | F            | 15.7     | 1     |
| <b>180 Volt Armature • 200/100 Volt Field</b> |      |                  |               |         |                |       |              |                |           |              |          |       |
| 1/2   | 1750 | 2.45             | .18/.36       | 200/100 | 2.45           | 56C   | D708         | Rigid Base     | TENV      | F            | 12.6     | 1     |
| 3/4   | 1750 | 3.73             | .36/.72       | 200/100 | 3.73           | 56C   | D710         | Rigid Base     | TEFC      | F            | 14.8     | 1     |
| 1   | 1750 | 4.85             | .36/.72       | 200/100 | 4.85           | 56C   | D711         | Rigid Base     | ODP       | F            | 14.4     | 1     |
| 1   | 1750 | 4.89             | .38/.76       | 200/100 | 4.89           | 56C   | D712         | Rigid Base     | TEFC      | F            | 15.7     | 1     |
| 1 1/2   | 1750 | 7.45             | .36/.72       | 200/100 | 7.45           | 184AC | W245         | Rigid Base     | ODP       | F            | 15.2     | 1     |
| 1 1/2   | 1750 | 7.25             | .61/1.22      | 200/100 | 7.25           | 187AC | W244         | Rigid Base     | TENV      | F            | 17.2     | 1     |
| 2   | 1750 | 9.90             | .50/1.00      | 200/100 | 9.9            | 185AC | W261         | Rigid Base     | ODP       | F            | 15.9     | 1     |
| 2   | 1750 | 9.50             | .75/1.50      | 200/100 | 9.5            | 189AC | W260         | Rigid Base     | TENV      | F            | 20.2     | 1     |
| 5   | 1750 | 24.50            | .85/1.70      | 200/100 | 24.5           | 189AC | W281         | Rigid Base     | ODP       | F            | 20.2     | 1     |

### Notes:

1. Item to be discontinued when stock is depleted

*If base is removed, bolt holes must be plugged in order to maintain NEMA Totally-Enclosed standards.  
If base bolts are used without base, use a 1/4” thick washer to prevent interference with motor rotation.*



# MSC 700™ DC Motor Adjustable Speed Controls

## Introducing the industry's most innovative DC motor speed controls. MSC 700 controls from Century®.

The fact is, no other speed control even comes close. Because no other control offers as much convenience, as much quality or as much affordability.

### Convenience and control all in one compact unit.

Whatever your application, count on our MSC 700 units for all the control you need.

The way they work is simple. They statically convert single phase AC power to regulated DC. So you get adjustable, reliable speed control for either permanent magnet or wound field DC motors.

Our controls have adjustable trimpots for easy access to a wide range of horsepower settings. You won't have to stock an assortment of shunt resistors to accommodate various horsepower needs. You can operate our enclosed, dual-voltage models on either 115V or 230V AC.

There's more. You can choose from chassis and enclosed models, with single or dual voltage operation. And for added versatility, there's more than a dozen optional accessories.

### Century means quality you can count on.

But perhaps the best feature in our control line is the name that's behind it. Century. Simply put, our more than 90 years of experience makes us a world leader in motors and motor accessories. And, we put coast-to-coast service behind everything we sell with expert assistance, availability and delivery from a network of Authorized Service Centers throughout the U.S. So whether you're producing original equipment or simply replacing an existing drive, we've got the perfect pick. MSC 700 speed controls, only from Century.

### Features

- Inexpensive, compact speed control for PMDC and wound field DC motors (up to 3 HP).
- Three chassis and five enclosed models, single and dual-voltage units available (115V or 115/230V).
- No plug-in shunts needed for HP calibration.
- Automatic AC input voltage selection-without jumpers or switches on dual voltage chassis models.
- Inhibit feature for automatic operation by switch, relay, or programmable control.
- 5K Ohm speed potentiometer included with all controls.
- All chassis units feature quick-connect terminals.
- Interchangeable with many competitive units.
- Wide array of options for optimum design versatility.
- NEMA Code K, full-wave power conversion.

### Typical Applications

- Packing equipment
- Exercise equipment
- Conveyors
- Material handling
- Printing and screening machinery
- Food processing equipment
- Pumps and fans
- Textile machinery
- Metal-forming equipment
- Agricultural equipment
- Machine tools
- Feeders
- Positioners
- Door openers



### Operating Conditions

|                     |                                  |
|---------------------|----------------------------------|
| Line Voltage        | 115 VAC <10%<br>115/230 VAC <10% |
| Line Frequency      | 50/60 Hz <2 Hz                   |
| Ambient Temp. Range | 0°C to 40° C                     |
| Altitude            | 3300 feet maximum                |
| Service Factor      | 1.0                              |
| Duty                | Continuous                       |
| Environment         | Industrial/Commercial            |

### Performance Characteristics

|  |   |
|--|---|
| Overload capacity                        | 150% for 1 minute   |
| Speed Range                              | 50:1 armature feedback<br>(Controlled) 100:1 with tachometer feedback   |
| Speed Regulation                         | 1% of base speed (typical)  |
| Minimum speed trimpot                    | 0 to 40% of full speed<br>(0 to 30% on W706 & W770)   |
| Maximum speed trimpot                    | 60 to 100% of full speed (50 to 110% on W706 & W770)  |
| Current/Torque Limit<br>(% of full load) | 0 to 150% on W755,<br>W756, W760, W761<br>50 TO 150% on W706<br>0 to 200% on W770<br>1 to 125% only @ 1.5 HP<br>(115)/3HP; (230V) on W715 |
| Acceleration/<br>Deceleration Time       | 0.8 to 10 seconds (0.5 to 4<br>on W706, 0.2 to 10 seconds on<br>W770*)  |
| IR Compensation                          | 0 to 100 % (of rated load)  |

\*Acceleration/Deceleration times are independent on W770

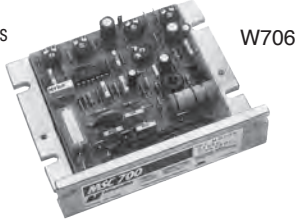
# MSC 700™ DC Motor Adjustable Speed Controls & Options

## Chassis Units/Specifications

Dual Voltage and Tachometer or Armature Feedback

### 115V, 1 HP (W706)

- 1/4 -1/2 HP output, 115 VAC input • 3/4-1 HP output, 115 VAC with optional heat sinks (W727, W728 or W729)
- 50:1 speed range
- MAX, MIN, IR, CL and ACCEL trim pots
- 1 % speed regulation (typical)
- Armature feedback circuitry
- MOV for transient protection
- UL-(E143780) and CSA- listed
- Approx. 3.64" x 4.30" x 1.25"



### 115/230V, 1-2 HP (W713)

- 1/8-1/2 HP output, 115 VAC input
- 1 HP maximum output with optional heat sink (W727, W728 or W729), 115 VAC input
- 1/2-1 HP output, 230 VAC input
- 2 HP maximum output with optional heat sink (W727, W728 or W729), 230 VAC input
- 50:1 speed range
- MAX, MIN, IR, CL and ACCEL trim pots
- 1% speed regulation (typical)
- MOV and RC filter for transient protection
- UL (E51028) and CSA listed
- Approx. 3.57" x 4.25" x 1.33"



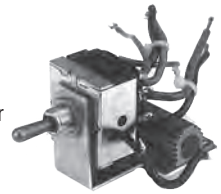
### Heat Sink Kit (W729) for W706, W713 & W770 only

- Base mounting
- Expands W706 and W710 to 1 HP maximum (115VAC) or the W710 to 2 HP (230VAC)
- Expands W770 to 1 HP maximum (115VAC) or 2 HP (230VAC)
- Four keyhole slots facilitate mounting
- Additional holes for mounting fuse clips and terminal strips
- Kit includes six .50" long, #10-32 screws
- Approx: 7.00" x 6.25" x 1.38"



### Forward/Brake/Reverse\* Switch Kit (W730) for W706, W713 & W770

- Completely pre-wired switch and 10 Ohm, 50W braking resistor
- Additional contacts for inhibit and dynamic braking
- Four-pole hesitation switch prevents operation of actuator through brake position until pressure is momentarily relieved
- Kit includes wire nuts and switch mounting hardware
- \* Complete stop required before changing rotation direction



## Enclosed Units/Specifications

Dual Voltage and Tachometer Feedback

- 115/230 VAC input, up to 1/2 HP output (115V) or 1 HP (230V)
- 115/230 VAC input, up to 1 HP output (115V) or 2 HP (230V)
- 1% speed regulation
- Internal MAX, MIN, IR, CL and ACCEL/DECEL trim pots
- Tachometer feedback input circuitry
- Terminal strip for field wiring
- Integral AC line fuses (fuses not supplied)
- MOV and RC filter for transient protection
- Speed potentiometer and on/off switch mounted

### Run/Stop (Reversing\* Optional) W770 (NEMA 1)

- 115/230 VAC input, 1/2 HP output (115V) or 1-1/2 HP (230V)
- 1 HP (115V) or 2 HP (230V) with optional heat sink (W729)
- 50:1 speed range • Optional Forward/Brake/Reverse\* switch kit (W730), also includes braking resistor
- Internal MAX, MIN, IR, CL and ACCEL trim pots
- Tachometer feedback for 7 or 50VDC per 1000 RPM
- Internal dual voltage switch
- AC Power On indicator
- Two 7/8" diameter conduit holes
- UL-(E143780-) and CSA-listed
- Approx: 7.125" x 5.09" x 4.0



\*Complete stop required before changing rotation direction.

W770

### Speed Potentiometer Kit (W731)

(NOT PICTURED)

- 5K Ohm speed potentiometer
- Kit includes mounting hardware and front panel insulator

## MSC 700 Series List Prices

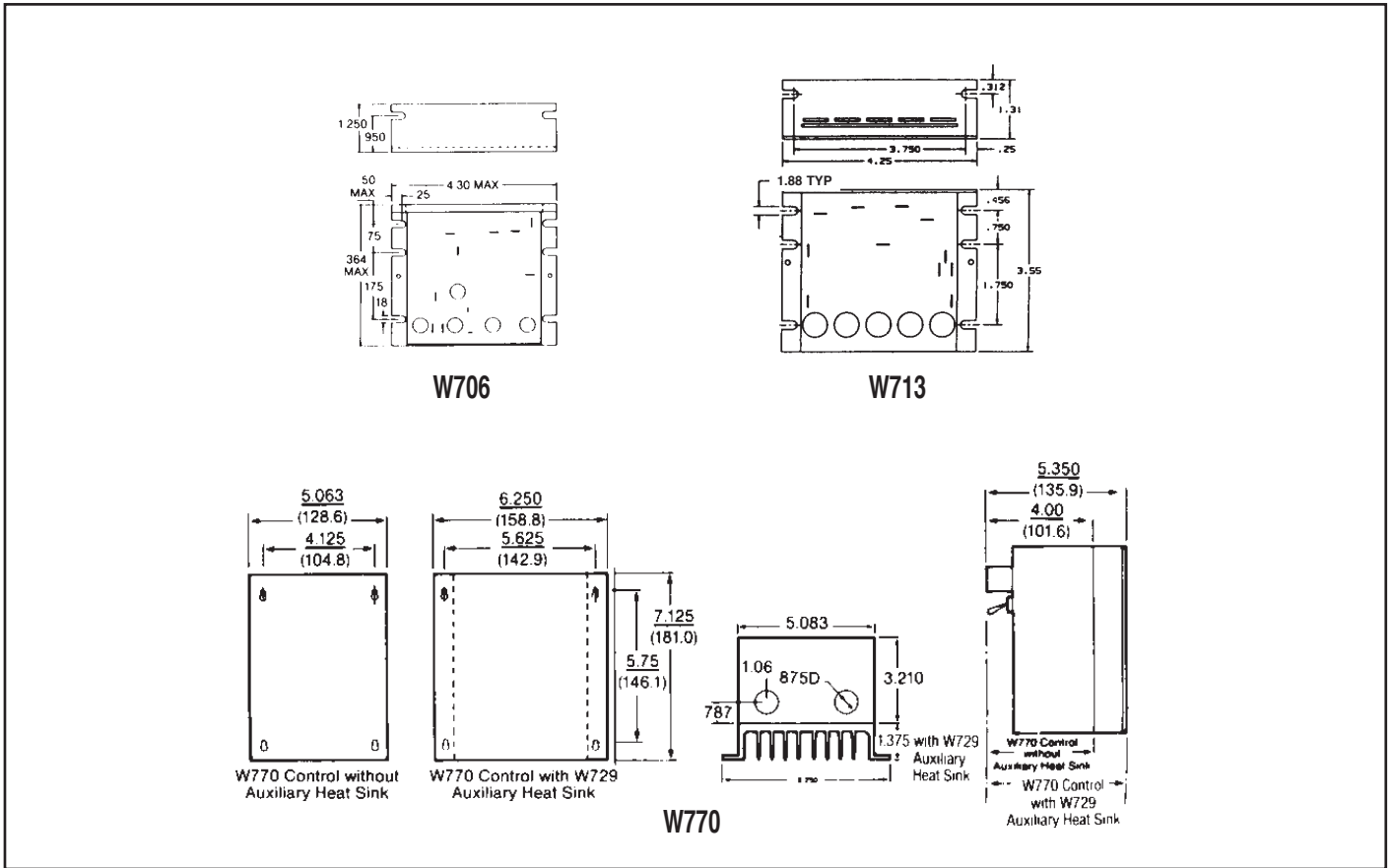
| Type    | Stock Number | AC Voltage | HP Range  | Max. HP w/ Optional Heat Sink | List Price (U.S. \$) |
|---------|--------------|------------|-----------|-------------------------------|----------------------|
| Chassis | W706         | 115        | 1/4-1/2   | 3/4-1                         | \$ 178.00            |
| Chassis | W713         | 115        | 1/8-1/2   | 1                             | 201.00               |
|         |              | 230        | 1/2-1     | 2                             |                      |
| NEMA 1  | W770         | 115        | 1/2-3/4   | 1                             | 398.00               |
|         |              | 230        | 1 - 1-1/2 | 2                             |                      |

## MSC 700 Series Options

| Stock Number | Description                         |
|--------------|-------------------------------------|
| W729         | Heat Sink Kit for W706, W713 & W770 |
| W730         | Forward/Brk./Rev. Switch Kit        |
| W731         | Speed Potentiometer Kit             |
| W732         | Knob and Dial Plate Kit             |



## Dimensions



| MCS700<br>Stock<br>Numbers |                             | AC Input line Amps, Single Phase, 50/60 Hz |            |            |            |            | DC Output Amps @ Full Load                                     |            |                                     |            |                                      |                    |
|----------------------------|-----------------------------|--|------------|------------|------------|------------|--|------------|-------------------------------------|------------|--------------------------------------|--------------------|
|                            |                             | Chassis                                    |            | Enclosed   |            |            | Permanent Magnet<br>And Wound Field<br>Motors<br>Armature Amps |            | Shunt Wound<br>Motors<br>Field Amps |            | Armature<br>Fuse<br>(AC Amp Ratings) |                    |
|                            |                             | W706                                       | W713       | W770       |            |            |  |            |                                     |            |                                      |                    |
| Rated<br>HP                | Load<br>Torque<br>(in.lbs.) | 115<br>VAC                                 | 115<br>VAC | 230<br>VAC | 115<br>VAC | 230<br>VAC | 90<br>VDC  | 180<br>VDC | 100<br>VDC                          | 200<br>VDC | 90<br>VDC<br>Motors                  | 1<br>VDC<br>Motors |
| 1/8                        | 4.5                         |  | 2.2        |            |            |            | 1.6  |            | 1.0                                 |            | 2.5                                  |                    |
| 1/6                        | 6                           |  | 2.9        |            |            |            | 2.0  |            | 1.0                                 |            | 3                                    |                    |
| 1/4                        | 9                           | 4.1  | 4.1        |            |            |            | 2.9  |            | 1.0                                 |            | 4                                    |                    |
| 1/3                        | 12                          | 5.2  | 5.2        |            |            |            | 3.5  |            | 1.0                                 |            | 5                                    |                    |
| 1/2                        | 18                          | 7.5  | 7.5        | 3.8        | 7.5        |            | 5.5  | 2.8        | 1.0                                 | 1.0        | 8                                    | 4                  |
| 3/4                        | 27                          | 11.8+                                      | 11.8+      | 5.9        | 11.8       |            | 8.0  | 4.0        | 1.0                                 | 1.0        | 12                                   | 5                  |
| 1                          | 36                          | 14.9+                                      | 14.9+      | 7.5        | 14.9+      | 7.5        | 10.0   | 5.5        | 1.0                                 | 1.0        | 15                                   | 8                  |
| 1-1/2                      | 54                          |  |            | 12.0+      |            | 12.0       | 15.0   | 8.0        | 1.0                                 | 1.0        | 20                                   | 12                 |

**Notes:**

+Optional heat sink required.

Use Buss ABC, Littelfuse 326 or equivalent.

Amps shown are typical for Century permanent magnet and wound field DC Motors and equivalent SCR-rated DC motors.

# Start/Run Capacitors



These Motor Start Capacitors are Dry Electrolytic Nonpolarized Types for Intermittent Duty in AC motor starting circuits. Their round cases are of moisture and oil resistant molded Phenolic Resin or Plastic.

## Features:

- Engineered Terminal Construction
- Standard Dual Blade Terminals

### 110-125 VOLT AC 50/60 HZ

| Stock No. | MFD       | Case Size (dia x h) |
|-----------|-----------|---------------------|
| PMJ108    | 108-130   | 1-7/16" x 2-3/4"    |
| PMJ124    | 124-149   | 1-7/16" x 2-3/4"    |
| PMJ130    | 130-156   | 1-7/16" x 2-3/4"    |
| PMJ145    | 145-175   | 1-7/16" x 2-3/4"    |
| PMJ161    | 161-193   | 1-7/16" x 2-3/4"    |
| PMJ189    | 189-227   | 1-7/16" x 2-3/4"    |
| PMJ216    | 216-259   | 1-7/16" x 3-3/8"    |
| PMJ243    | 243-292   | 1-7/16" x 3-3/8"    |
| PMJ270    | 270-324   | 1-7/16" x 3-3/8"    |
| PMJ324    | 324-388   | 1-13/16" x 3-3/8"   |
| PMJ340    | 340-408   | 1-13/16" x 3-3/8"   |
| PMJ378    | 378-455   | 1-13/16" x 3-3/8"   |
| PMJ400    | 400-480   | 1-13/16" x 3-3/8"   |
| PMJ460    | 460-552   | 1-13/16" x 3-3/8"   |
| PMJ540    | 540-648   | 1-13/16" x 4-3/8"   |
| PMJ590    | 590-708   | 1-13/16" x 4-3/8"   |
| PMJ708    | 708-850   | 2-1/16" x 4-3/8"    |
| PMJ829    | 829-995   | 2-1/16" x 4-3/8"    |
| PMJ1000   | 1000-1200 | 2-1/16" x 4-3/8"    |

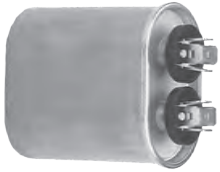
### 220-250 VOLT AC 50/60 HZ

| Stock No. | MFD     | Case Size (dia x h) |
|-----------|---------|---------------------|
| PTMJ21    | 21-25   | 1-7/16" x 2-3/4"    |
| PTMJ30    | 30-36   | 1-7/16" x 2-3/4"    |
| PTMJ53    | 53-64   | 1-7/16" x 2-3/4"    |
| PTMJ72    | 72-88   | 1-13/16" x 3-3/8"   |
| PTMJ88    | 88-108  | 1-13/16" x 3-3/8"   |
| PTMJ108   | 108-130 | 1-13/16" x 4-3/8"   |
| PTMJ124   | 124-149 | 1-13/16" x 4-3/8"   |
| PTMJ130   | 130-158 | 1-13/16" x 4-3/8"   |
| PTMJ145   | 145-174 | 2-1/16" x 3-3/8"    |
| PTMJ161   | 161-193 | 1-13/16" x 4-3/8"   |
| PTMJ189   | 189-227 | 2-1/16" x 4-3/8"    |
| PTMJ216   | 216-259 | 2-1/16" x 4-3/8"    |
| PTMJ233   | 233-280 | 2-1/16" x 4-3/8"    |
| PTMJ270   | 270-324 | 2-1/16" x 4-3/8"    |

### 330 VOLT AC 50/60 HZ

| Stock No. | MFD     | Case Size (dia x h) |
|-----------|---------|---------------------|
| PRMJ30    | 30-36   | 1-13/16" x 3-3/8"   |
| PRMJ53    | 53-64   | 1-13/16" x 3-3/8"   |
| PRMJ88    | 88-108  | 2-1/16" x 3-3/8"    |
| PRMJ124   | 124-149 | 2-1/16" x 4-3/8"    |
| PRMJ130   | 130-158 | 2-1/16" x 4-3/8"    |
| PRMJ145   | 145-174 | 2-1/16" x 4-3/8"    |
| PRMJ189   | 189-227 | 2-9/16" x 4-3/8"    |
| PRMJ216   | 216-259 | 2-9/16" x 4-3/8"    |

## Features:



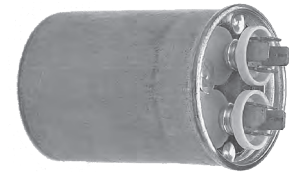
- UL Listed/CSA Approved
- Individually Boxed
- Metal Cases
- Metallized Film
- Oil Filled
- (Biodegradable)
- Non-PCB Oil
- Four Blade Quick Connect Terminals
- Insulated Terminals

### 370 VOLT 50/60 HZ SINGLE SECTION OVAL CASE

| Stock No. | MFD  | Case Size (w x h) |
|-----------|------|-------------------|
| POC2      | 2    | 2.16" x 2.062"    |
| POC3      | 3    | 2.16" x 2.062"    |
| POC4      | 4    | 2.16" x 2.062"    |
| POC5      | 5    | 2.16" x 2.062"    |
| POC6      | 6    | 2.16" x 2.812"    |
| POC75     | 7.5  | 2.16" x 2.812"    |
| POC10     | 10   | 2.16" x 2.812"    |
| POC125    | 12.5 | 2.16" x 3.60"     |
| POC15     | 15   | 2.16" x 3.60"     |
| POC175    | 17.5 | 2.16" x 4.40"     |
| POC20     | 20   | 2.90" x 4.40"     |
| POC25     | 25   | 2.90" x 3.60"     |
| POC30     | 30   | 2.90" x 3.60"     |
| POC35     | 35   | 2.90" x 4.40"     |
| POC40     | 40   | 2.90" x 4.40"     |
| POC45     | 45   | 2.90" x 4.40"     |
| POC50     | 50   | 2.90" x 4.40"     |

### 440 VOLT 50/60 HZ SINGLE SECTION OVAL CASE

| Stock No. | MFD | Case Size (w x h) |
|-----------|-----|-------------------|
| POCF3     | 3   | 2.16" x 2.062"    |
| POCF4     | 4   | 2.16" x 2.062"    |
| POCF5     | 5   | 2.16" x 2.812"    |
| POCF75    | 7.5 | 2.16" x 2.812"    |
| POCF10    | 10  | 2.16" x 4.40"     |
| POCF15    | 15  | 2.90" x 4.40"     |
| POCF25    | 25  | 2.90" x 4.40"     |
| POCF30    | 30  | 2.90" x 4.40"     |
| POCF35    | 35  | 2.90" x 4.40"     |
| POCF40    | 40  | 2.90" x 4.40"     |
| POCF45    | 45  | 2.90" x 4.40"     |
| POCF50    | 50  | 2.90" x 5.40"     |
| POCF55    | 55  | 2.90" x 5.40"     |

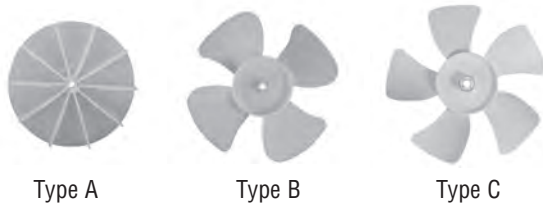


### 370 VOLT 50/60 HZ SINGLE SECTION ROUND CASE

| Stock No. | MFD  | Case Size (dia. x h) |
|-----------|------|----------------------|
| PRC15     | 15   | 1.75" x 2.81"        |
| PRC175    | 17.5 | 1.75" x 3.60"        |
| PRC20     | 20   | 1.75" x 3.60"        |
| PRC25     | 25   | 1.75" x 3.60"        |
| PRC30     | 30   | 2.00" x 4.75"        |
| PRC35     | 35   | 2.00" x 4.40"        |
| PRC40     | 40   | 2.00" x 4.40"        |
| PRC45     | 45   | 2.00" x 4.40"        |
| PRC50     | 50   | 2.00" x 4.40"        |

HEIGHT DIMENSION INCLUDES TERMINALS

**Plastic Fan Blades Used with C-Frame Motors**



| Stock No.   | Diameter | Hub I.D.   | Shaft Size     | Blades   | Rotation* | Fan Type |
|-------------|----------|------------|----------------|----------|-----------|----------|
| 626137      | 4.00"    | Round      | .187" or 3/16" | 5        | CW        | C        |
| 700027      | 4.19"    | Round      | .181"          | 5        | CW        | C        |
| 700047      | 5.50"    | Round      | .187" or 3/16" | 4        | CCW       | B        |
| 700048      | 5.50"    | Round      | .218" or 7/32" | 4        | CCW       | B        |
| 700046      | 5.56"    | Round      | .187" or 3/16" | 5        | CCW       | C        |
| 700049      | 5.56"    | Round      | .218" or 7/32" | 5        | CCW       | C        |
| 1010784-001 | 4.62"    | "D" Shaped | .181"          | Impeller | CW/CCW    | A        |

\* Rotation determined by viewing air discharge side of fan blade.

**Unit Bearing Fan Blades**



2 & 4 Watt



4 Watt



6 & 9 Watt



9 & 16 Watt

| Stock No. | Dia. | Pitch | CW Motor Airflow |
|-----------|------|-------|------------------|
| 2211      | 7"   | 20°   | Suction          |
| 2212      | 7"   | 20°   | Pusher           |
| 2217      | 8"   | 20°   | Suction          |
| 2218      | 8"   | 20°   | Pusher           |

| Stock No. | Dia.   | Pitch | CW Motor Airflow |
|-----------|--------|-------|------------------|
| 2256      | 7 3/4" | 32°   | Suction          |

| Stock No. | Dia.   | Pitch | CW Motor Airflow |
|-----------|--------|-------|------------------|
| 2235      | 8 3/4" | 20°   | Suction          |

| Stock No. | Dia. | Pitch | CW Motor Airflow |
|-----------|------|-------|------------------|
| 2267      | 10"  | 22°   | Suction          |
| 2268      | 10"  | 29°   | Pusher           |

NOTE: Rotation determined by viewing air discharge side of fan. Fan should be guarded before operating. Tighten set screws securely before operating. Pusher = air over motor and through fan. Suction = air through fan and over motor.

**Unit Bearing Rubber Cushion**

Stock No.1254A  
12 Per Pack



**Unit Bearing Speed Nut**

Stock No.1264A  
6 Per Pack



Item to be discontinued when stock is depleted.

**Threaded Shaft Adapter**

Stock No.1488A

Adapts 1/4" x 20 threaded shaft to 1/4" round shaft

2 Per Pack



**Unit Bearing Mounting Brackets**

| Stock No. | Height To Motor Shaft | Bracket Height |
|-----------|-----------------------|----------------|
| 2271      | 4 1/8"                | 2 1/32"        |
| 2272      | 4 9/16"               | 2 4/64"        |
| 2273      | 5 3/8"                | 3 29/64"       |
| 2274      | 6 1/4"                | 4 5/16"        |



**90 Degree Refrigeration Plug**

Stock No.2117

Converts a straight plug to fit applications with a right-angle connection.



## Parts & Accessories



1330A, 1383A,  
2097A



1411A, 1412A

### Motor Rain Shields

|           |                                |            |        |
|-----------|--------------------------------|------------|--------|
| Stock No. | 1330A Plastic 1/2" bore        | 6 3/4" dia | 48 FRM |
| Stock No. | 1383A Plastic 5/8" bore        | 6 3/4" dia | 48 FRM |
| Stock No. | 1411A Dished Plastic 1/2" bore | 7" dia     | 48 FRM |
| Stock No. | 1412A Dished Plastic 5/8" bore | 7" dia     | 48 FRM |
| Stock No. | 2097A Plastic 1/2" bore        | 6" dia     | 42 FRM |

Provides rain protection for vertically mounted motors

### Joggle Bolt Mounting Kit

Stock No. 1414A

Provides adjustable casebolt mounting patterns to fit RMR-Fedders (5 5/8" diameter motors only) and others.



### 8-32 and 10-32 Case Stud Kit —7" Length

|           |       |       |
|-----------|-------|-------|
| Stock No. | 1639A | 8-32  |
| Stock No. | 1640A | 10-32 |

### Nuts & Washers —16/Set

|           |       |       |
|-----------|-------|-------|
| Stock No. | 1618A | 8-32  |
| Stock No. | 1619A | 10-32 |

### Rheem Butt Plate Kit

Stock No. 2098A



Used in place of mounting cables in RHEEM condensers  
Kit includes mounting hardware and assembly instructions.



### Mounting Studs

| Stock No. | Ext.  | Ext. | Description                         |
|-----------|-------|------|-------------------------------------|
| 2064A     | 8-32  | 3/4" | Collar Studs for 3 3/8" Dia. Motors |
| 2087A     | 10-32 | 1"   | Collar Studs for 5" Dia. Motors     |

#### Caution:

Threading longest end into motor can create electrical shock or fire hazards, and shorten motor life.



### Rubber Vibration Insulating Mount

Type used on Coleman furnaces. See Stock No. 98 & 346

| Stock No. | Size                 | Thread Length |
|-----------|----------------------|---------------|
| 1236A     | 5/8" Dia., 1/2" Long | 8-32 x 1/2"   |

6 Per Pack

## Rubber Cover



Stock No. 1365A

## Cap Bracket Assembly



Stock No. 1230A

## Capacitor Bracket & Cover



Stock No. 1482A  
Bracket Dim.: 2-1/8" x 1-1/4"  
Cover Dim.: 1-5/8"

## Bracket For Use With The 3 3/8" Diameter Motors

Stock No. 1177A

Complete with washers and grommets

## Rubber Grommets

Stock No. 1204A



## Adapter Plate For 3 3/8" Motors

Stock No. 1295A

Mounts to case bolts to provide HEX catchers for base mounting



## Shaft Extension Assembly

Coupling comes complete with set screws. Use anywhere an extension is desired.



| Stock No. | Size  | Length |
|-----------|-------|--------|
| 1308A     | 1/4"  | 4 1/2" |
| 1310A     | 5/16" | 4 1/2" |
| 1475A     | 1/2"  | 4 1/2" |

## Cork Mounting Gasket

Stock No. 1183A

For use with all 3 3/8" diameter motors to close-couple motor to blower housing.



## Steel Shaft Adapter Bushings

Zinc Finish



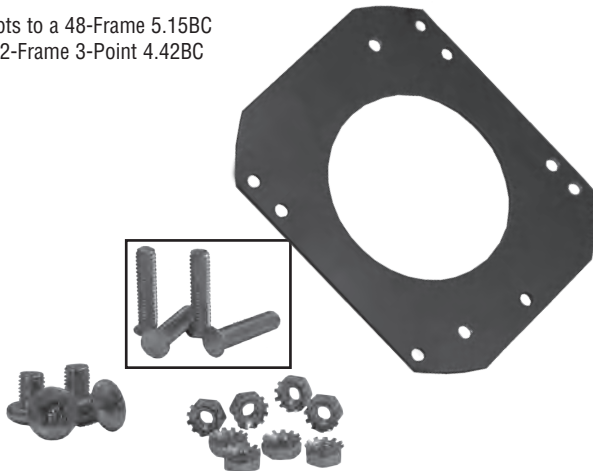
| Stock No. | I.D.  | O.D.  | Length  | Pkg.  |
|-----------|-------|-------|---------|-------|
| 1231A     | 1/4"  | 5/16" | 1"      | 5/PKG |
| 1300A     | 1/4"  | 3/8"  | 1 1/16" | 5/PKG |
| 1302A     | 5/16" | 3/8"  | 1 1/16" | 5/PKG |
| 1304A     | 5/16" | 1/2"  | 1 1/16" | 5/PKG |
| 1305A     | 3/8"  | 7/16" | 1 1/16" | 5/PKG |
| 1306A     | 3/8"  | 1/2"  | 1 1/16" | 5/PKG |
| 1487A     | 1/2"  | 5/8"  | 1 1/16" | 5/PKG |
| 1307A*    | 1/2"  | 5/8"  | 1 1/2"  | 5/PKG |
| 1483A     | 5/8"  | 3/4"  | 1 1/4"  | 5/PKG |

\*Split bushing with 3/16" key furnished.

## MultiFit® Adapter Plate

Stock No. 2118

Adapts to a 48-Frame 5.15BC  
Or 42-Frame 3-Point 4.42BC



## MasterFit® Pro Capacitor Bracket

Stock No. 2116

Diameter (in) 1 3/4"

For use with round all purpose capacitor.

5 per package

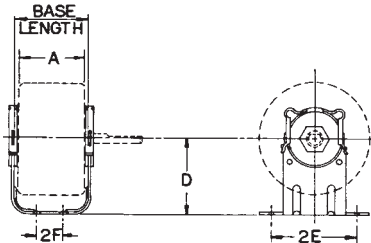


# Parts & Accessories

## Base for 4 5/16", 5", 5 5/8" Diameter Motors

Refer to Stock Numbers 1181A and 1182A.  
For mounting rings and mounting clips.

Requires 2 1/2" dia. ring.



For use on Universal Electric® brand motors.

| Base HT. "D" | "A" Lengths 5 5/8" & 5" DIA | "A" Lengths 4 5/16" DIA. | Base Stock No. | "2E"    | "2F"    | Base Length |
|--------------|-----------------------------|--------------------------|----------------|---------|---------|-------------|
| 2 11/16"     | 3 1/2"                      | 3 1/4"                   | 1205           | 3 7/8"  | 1 1/16" | 3.937"      |
| 2 11/16"     | 3 3/4"                      | 3 1/2"                   | 1206           | 3 7/8"  | 1 1/16" | 4.187"      |
| 2 11/16"     | 4 1/4"                      | 4"                       | 1207           | 3 7/8"  | 1 1/16" | 4.687"      |
| 2 11/16"     | 5"                          | 4 3/4"                   | 2090           | 3 7/8"  | 1 1/16" | 5.437"      |
| 3"           | 3 1/4"                      | 3"                       | 1342           | 3 5/16" | 1 1/16" | 3.667"      |
| 3"           | 3 1/2"                      | 3 1/4"                   | 2061*          | 3 5/16" | 1 1/16" | 3.917"      |
| 3"           | 3 3/4"                      | 3 1/2"                   | 1211           | 3 5/16" | 1 1/16" | 4.167"      |
| 3"           | 4"                          | 3 3/4"                   | 1422           | 4 1/4"  | 2 3/4"  | 4.417"      |
| 3"           | 4 1/4"                      | 4"                       | 1212           | 3 5/16" | 1 1/16" | 4.667"      |
| 3"           | 4 1/2"                      | 4 1/4"                   | 1226           | 3 5/16" | 1 1/16" | 4.917"      |
| 3"           | 4 3/4"                      | 4 1/2"                   | 1292           | 3 5/16" | 1 1/16" | 5.167"      |
| 3"           | 5 1/4"                      | 5"                       | 1293           | 3 5/16" | 1 1/16" | 5.667"      |
| 3"           | 5 1/4"                      | 5"                       | 1340           | 4 1/4"  | 2 3/4"  | 5.667"      |
| 3 1/2"       | 3 1/4"                      | 3"                       | 1343           | 3 5/16" | 1 1/16" | 3.667"      |
| 3 1/2"       | 3 1/2"                      | 3 1/4"                   | 2062*          | 3 5/16" | 1 1/16" | 3.917"      |
| 3 1/2"       | 3 3/4"                      | 3 1/2"                   | 1209           | 3 5/16" | 1 1/16" | 4.167"      |
| 3 1/2"       | 4"                          | 3 3/4"                   | 2044           | 4 1/4"  | 2 3/4"  | 4.417"      |
| 3 1/2"       | 4 1/4"                      | 4"                       | 2063*          | 3 5/16" | 1 1/16" | 4.667"      |
| 3 1/2"       | 4 1/2"                      | 4 1/4"                   | 1229           | 3 5/16" | 1 1/16" | 4.917"      |
| 3 1/2"       | 4 3/4"                      | 4 1/2"                   | 1347           | 3 5/16" | 1 1/16" | 5.167"      |
| 3 1/2"       | 5 1/4"                      | 5"                       | 1419           | 4 1/4"  | 2 3/4"  | 5.667"      |

\* Has Extra Mounting Slot for TRANE 3 Point Mount.

## Clamps

For Ring O.D.      Part #  
2.25"                      613156-003

1 Per Pack



For Ring O.D.      Kit #  
2.50"                      \*619432-169 (2 clamps)

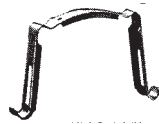
2 Per Pack      \*Item to be discontinued when stock is depleted.

## Mounting Clip

Stock No. 1181A

Use with Stock Numbers 1182A & 1220A

2 Per Pack



## Two Piece Mounting Clip

Stock No. 1180A

Use with Stock Numbers 1182A & 1220A

2 Per Pack



## Rubber Mounting Ring With Steel Band



| Stock No. | Hub Ring Diameter | Motor Diameters   |
|-----------|-------------------|-------------------|
| 1220A     | 2 1/4"            | 4 5/16"-5"-5 5/8" |
| 1182A     | 2 1/2"            | 4 5/16"-5"-5 5/8" |
| 1255A     | 1 3/4"            | 3 3/8"            |

2 Per Pack

## Rubber Mounting Ring

Stock Numbers 1219A, 1263A, 1387A

For round hubs — **Stock No. 1387A** - 2" O.D. for 4 5/16" diameter motors

**Stock No. 1219A** - 2 1/2" O.D. For 4 5/16"- 5"-5 5/8" diameter motors

**Stock No. \*1263A** - 2 1/4" O.D. For 3 3/8" diameter motors

\*Item to be discontinued when stock is depleted.

2 Per Pack



## Adapter Ring

Stock No. 1221A

2 required per mounting ring to adjust from 2 1/4" to 2 1/2"

Use to convert Stock No. 1220A mounting ring to larger diameter.

2 Per Pack





## Field Attachable Conduit Box

| Stock No. | Box Size    | Motor Frame     |
|-----------|-------------|-----------------|
| 1216A     | 8 cu. in.   | H (5 5/8" Dia.) |
| 1217A     | 3.5 cu. in. | C (4 5/8" Dia.) |
| 1256A     | 3.5 cu. in. | J (3 3/8" Dia.) |
| 1257A     | 8 cu. in.   | D (5" Dia.)     |
| 1296A     | 3.5 cu. in. | D (5" Dia.)     |

For motors with conduit connector holes only!



Universal design motors only.

## Explosion Proof Conduit Box

Part No.626000-001

Kit includes:

Conduit box with two (2) threaded, conduit holes, 3/4"-14 NPT, conduit cover and four (4) screws and washers. Box dimensions are 4.38" diameter and 2.75" depth. Box rated for Design 81A, Class I Grp D, Class II Grp E, F, G.



## 3/8" Conduit Connector

Stock No. 1322A

Allen Stevens No.158 (curved base)  
Complete with mounting screws and stop plate.  
3 Per Pack



## Resilient Rings

| Ring TYPE | O.D.  | I.D.  | KIT # (2 Per) | Notes                |
|-----------|-------|-------|---------------|----------------------|
| C         | 2.50" | 1.55" | 619432-105*   |                      |
|           |       |       |               | *Trane/GE and others |
| D         | 2.25" | 1.57" | 619432-111    |                      |
| E         | 2.50" | 1.57" | 619432-112    |                      |
| F         | 2.50" | 1.57" | 619432-113    |                      |
|           |       |       |               | 2 Per Pack           |



## Conduit Fitting

Stock No.1202A

For 4 5/16 diameter motors  
1 Per Pack

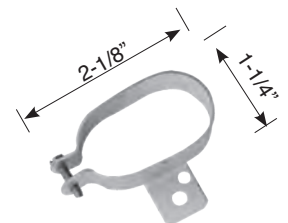


## Capacitor Cap



260B913H01

## Capacitor Clamp



616672

1 Per Pack

## Speed Controls

| Stock No. | Max Amps | Volts | Mounting | Size            |
|-----------|----------|-------|----------|-----------------|
| 1233A     | 5        | 120   | Wall     | 4 1/4" x 2"     |
| 1234A*    | 4        | 120   | Panel    |                 |
| 1407A*    | 5        | 240   | Wall     | 4 1/4" x 2"     |
| 1408A     | 10       | 120   | Wall     | 4 1/2" x 4 1/2" |

- Solid State, Infinitely variable adjustment for single speed fan and blowers, kitchen appliances, etc. UL Listed and CSA Approved.
- Use only with shaded pole and PSC motors.

\* Not CSA approved.



# Parts & Accessories

## Adapt-A-Lug Kits (Patent No. 3,903,443)

Stock No. 1327A 1/4" Slot

Stock No. 1328A 3/4" Slot

Save installation time. Fits directly to the case on **Adapt-A-Lug®** models. Both kits provide for bolt circles from 6 7/8" - 8 1/8".



## Lug Mounting Bracket

| Stock No. | Motor Dia. | Min. B. C. D. | Max. B. C. D. | Lug Size       |
|-----------|------------|---------------|---------------|----------------|
| 1379A     | 3 3/8"     | 4 5/8"        | 5 7/8"        | Small - 1 3/4" |
| 1380A     | 3 3/8"     | 5 7/8"        | 9 7/8"        | Large - 4"     |
| 1377A     | 4 1/4"     | 5 1/2"        | 6 3/4"        | Small - 1 3/4" |
| 1378A     | 4 1/4"     | 6 3/4"        | 10 3/4"       | Large - 4"     |
| 1320A     | 5"         | 6 5/16"       | 7 9/16"       | Small - 1 3/4" |
| 1366A     | 5"         | 7 9/16"       | 11 1/16"      | Large - 4"     |
| 1223A     | 5 5/8"     | 6 7/8"        | 8 1/8"        | Small - 1 3/4" |
| 1364A     | 5 5/8"     | 8 1/8"        | 12 1/8"       | Large - 4"     |
| 2094A*    | 5 5/8"     | 6 3/8"        | 8 1/4"        | Small - 1 3/4" |

Kits For 3 3/8" Thru 5 5/8" Diameter Motors • Many Other Uses

\*Has special Carrier .406 Dia. hole on 7" B.C.D. motors.

B.C.D.=Bolt Circle Diameter.



## 3-Ring Blower Mounting Kit

| Stock No. | Motor Dia. (Approx.) | Bolt Circle |
|-----------|----------------------|-------------|
| 1386      | 5"                   | 9"          |
| 1479      | 5 5/8"               | 10"         |
| 1495      | 5 5/8"               | 11"         |

Kits come complete with mounting rubbers and screws. For use on large direct drive furnace blowers.



## Length Adapter Kit

Stock No. 1329A

For 5 5/8" diameter motors

For Length Adapter Bracket only, use Stock No. 1218A.



## Mounting Rubbers

Stock No. 1381A

Stock No. 1376A

For Large 3/4" Slot  
Screws Included  
3/Pkg.

For Small 1/2" Slot  
6/Pkg.



## Lug Mounting Bracket

Stock No. 1410A

Two mounting slots accepts either a 1/4" or 3/4" mounting bolt. Circle mounting diameter ranges from 6 3/8" to 7 5/8"

For 5 5/8" Motor diameter  
3/4" hole for large mounting rubber.  
1/4" slot for direct mounting screw



## Length Adapter for 5 5/8" Diameter Motors

Stock No. 1218A



Base kits, capacitors, lug kits, length adapters, and other accessories may be used to modify and convert standard products for special applications. Designed for quick installation, these accessories allow increased flexibility with minimum stock.

## 48 TO 56 FRAME ADAPTER

Adapter converts 5-1/2" diameter Century Fan Motors to 6-1/2" diameter. The adapter can be easily mounted on standard, off-the-shelf Century 48 Frame (5-1/2") Fan and Blower Motors. The motor, with adapter mounted, can be used to replace most old standard and special 56 Frame (6-1/2") Fan Motors, Engineered and tested for maximum reliability and versatility.

| Part Number | Band Width |
|-------------|------------|
| 615467-001  | 3"         |
| 615467-002  | 1 1/2"     |



## END FRAME LENGTH ADAPTER KIT

Part No. 615059-001

Use on 5" & 5-1/2" Century-extended through bolt motors to gain additional length to fit in old base. Kit contains adapter plate with mounting ring, (4) split rings, (8) nuts and (4) lock washers.

Fits 5" motors with a 90 degree bolt pattern and 5-1/2" motors with 60-120 degree and 90 degree bolt patterns.



## 56 Frame C-Face Kits & ODP Deflector

| Part Number | Description | Enclosure |
|-------------|-------------|-----------|
| 10392002*   | C-Face Kit  | ODP       |
| 17090001    | Deflector   | ODP       |
| 10909202    | C-Face Kit  | TEFC      |

\* The ODP C-Face must be installed in conjunction with the deflector. Items must be ordered separately. Special note: These kits are designed for the legacy Century® 56 frame motors only. Not suitable for 56 frame farm motors or 56Z frame models.

## FLEXIMOUNT ADAPTER

**PART NO. 619432-192**  
**42 FRAME**  
**PART NO. 619432-174**  
**48 FRAME**

Adapt standard 42 & 48 frame motors to Fleximount. Each adapter includes 3 grommets and 3 steel ferrules. Bolt circle diameters for each  
 Large: 10.18  
 Small: 9.00

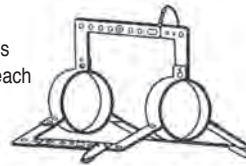


## FLEX MOUNTING BRACKET

**PART NO. HFM55**

Heavy duty application  
 Motor diameter 5-5/8"  
 Each adapter includes 3 grommets and 3 ferrules  
 Bolt circle diameters for each  
 Large: 10.18  
 Small: 9.00

PART NO. HFM55  
 Replaces this type of bracket



## FLEX MOUNTING BRACKET

**PART NO. HFM554**

Heavy duty application  
 Motor diameter 5-5/8"  
 Each adapter includes 4 grommets and 4 ferrules  
 Bolt circle diameters for each  
 Large: 10.00  
 Small: 9.00



## LUG MOUNTING BRACKET

**PART NO. 615157**

For adapting 5-1/2" standard motors to applications that require lugs attached to motor shell. Bolt circle diameter = Minimum of 6-3/4" Maximum of 7-3/4"



## DIRECT DRIVE BLOWER MOUNTING KIT

**PART NO. 625295**

Fixed lug mount assembly for 5-1/2" diameter motors. Includes grommets, ferrules and screws. Bolt circle diameter = 10-1/2"



## Century II Replacement Part Listing for 140-320 Frame TEFC

### Cast Iron Terminal Box Kits

| Frame | Poles | Kit #   |
|-------|-------|---------|
| 140   | ALL   | 1010223 |
| 180   | ALL   | 1010224 |
| 210   | ALL   | 1010225 |
| 250   | ALL   | 1010226 |
| 280   | ALL   | 1010227 |
| 320   | ALL   | 1010228 |

### Steel Fan Cover Kits

| Frame | Poles | Kit #   |
|-------|-------|---------|
| 140   | ALL   | 1010211 |
| 180   | ALL   | 1010212 |
| 210   | ALL   | 1010213 |
| 250   | ALL   | 1010214 |
| 280   | ALL   | 1010215 |
| 320   | ALL   | 1010216 |

### Cast Iron Fan Cover Kits

| Frame | Poles | Kit #   |
|-------|-------|---------|
| 140   | ALL   | 1010200 |
| 180   | ALL   | 1010201 |
| 210   | ALL   | 1010203 |
| 250   | ALL   | 1010205 |
| 280   | ALL   | 1010207 |
| 320   | ALL   | 1010208 |

### Bearing Cap for C-Flange

| Frame | Poles | Kit #   |
|-------|-------|---------|
| 140   | 2-4-6 | 1010254 |
| 180   | 2-4-6 | 1010255 |
| 210   | 2-4-6 | 1010256 |
| 250   | 2-4-6 | 1010257 |
| 280   | 2-4-6 | 1010258 |
| 320   | 2-4-6 | 1010259 |

### C-Flange Kits

| Frame | Poles | Kit #   |
|-------|-------|---------|
| 140   | 2-4-6 | 1010246 |
| 180   | 2-4-6 | 1010247 |
| 210   | 2-4-6 | 1010248 |
| 250   | 2-4-6 | 1010249 |
| 280   | 2-4-6 | 1010250 |
| 320   | 2-4-6 | 1010251 |

### DE Bracket Kits

| Frame | Poles | Kit #   |
|-------|-------|---------|
| 140   | ALL   | 1010263 |
| 180   | ALL   | 1010264 |
| 210   | ALL   | 1010265 |
| 250   | ALL   | 1010266 |
| 280   | ALL   | 1010267 |
| 320   | ALL   | 1010268 |

### DE Flinger

| Frame | Poles | Kit #   |
|-------|-------|---------|
| 140   | 2-4-6 | 1010298 |
| 180   | 2-4-6 | 1010299 |
| 210   | 2-4-6 | 1010300 |
| 250   | 2-4-6 | 1010301 |
| 280   | 2-4-6 | 1010302 |
| 320   | 2-4-6 | 1010303 |

### ODE Bracket Kits

| Frame | Poles | Kit #   |
|-------|-------|---------|
| 143   | ALL   | 1010275 |
| 145   | ALL   | 1010276 |
| 182   | ALL   | 1010277 |
| 184   | ALL   | 1010278 |
| 210   | ALL   | 1010279 |
| 250   | ALL   | 1010280 |
| 280   | ALL   | 1010281 |
| 320   | ALL   | 1010282 |

### Steel Terminal Box Kits

| Frame | Poles | Kit #   |
|-------|-------|---------|
| 140   | ALL   | 1010230 |
| 180   | ALL   | 1010232 |
| 210   | ALL   | 1010234 |
| 250   | ALL   | 1010235 |
| 280   | ALL   | 1010236 |
| 320   | ALL   | 1010238 |

### External Fan

| Frame | Poles | Kit #   |
|-------|-------|---------|
| 140   | 2-4-6 | 1010285 |
| 180   | 2     | 1010286 |
| 180   | 4-6   | 1010287 |
| 210   | 2-4-6 | 1010288 |
| 250   | 2     | 1010289 |
| 250   | 4     | 1010290 |
| 250   | 6     | 1010291 |
| 280   | 2-4   | 1010292 |
| 280   | 6     | 1010293 |
| 320   | 2-6   | 1010294 |
| 320   | 4     | 1010295 |

## DC Motor Thermal Protector Kit

Suitable for PMDC motors over 15 pounds. Thermal Protector Kit not available for motors under 15 pounds.



891095

| Part Number | List Price (U.S. \$) | Notes |
|-------------|----------------------|-------|
| 891095      | \$10.00              | 1     |

**Note:**

1. Item to be discontinued when stock is depleted

## Shaft Adapter Kit

A shaft adapter (sleeve and key) is available that will increase the shaft diameter from 1/2 inch to 5/8 inch.



| Part Number | To Change Shaft Diameter |
|-------------|--------------------------|
| 10044701    | From 1/2" to 5/8"        |

## Slide Bases

These slide bases have a single adjusting screw and are suitable for the majority of floor mounted belt connected motor applications. These bases are not suitable for ceiling or side wall installations, except for 140T and 180T-Frame bases, which may be either ceiling or side-wall mounted if the belt pull is horizontal or upward from the motor shaft, and the installation has no appreciable vibration.



30868109

| NEMA Frame | Part Number |
|------------|-------------|
| 143T       | 30868104    |
| 145T       | 30868105    |
| 182T       | 30868106    |
| 184T       | 30868107    |
| 213T       | 30868108    |
| 215T       | 30868109    |
| 254T       | 30868110    |
| 256T       | 30868111    |
| 284T       | 30868112    |
| 286T       | 30868113    |

| NEMA Frame | Part Number |
|------------|-------------|
| 324T       | 30868114    |
| 326T       | 30868115    |
| 364T       | 30868116    |
| 365T       | 30868117    |
| 404T       | 30868118    |
| 405T       | 30868119    |
| 444T       | 30868120    |
| 445T       | 30868121    |
| 449T       | 30868130    |

## Conversion Bases - T to U Frame

The following bases provide an easy, inexpensive method of adapting the 1964 re-rated standard motors to the 1952 standard mountings. These bases make it possible to mount standard T-Frame motors so that the axial centerline will be identical and the end of the shaft extension will be common with the previous standard motor.



31623902

**Notes:** \*\*All units will accommodate an adjustable or stationary application. All units, packed in cartons, are furnished with one coat of gray primer, and all nuts and bolts necessary for making transitions.

| NEMA Frame     | Part Number** |
|----------------|---------------|
| 182T to 213    | 31623901      |
| 184T to 213    | 31623901      |
| 182T to 215    | 31623901      |
| 184T to 215    | 31623901      |
| 213T to 254U   | 31623902      |
| 215T to 254U   | 31623902      |
| 213T to 256U   | 31623902      |
| 215T to 256U   | 31623902      |
| 254T to 284U   | 31623903      |
| 256T to 284U   | 31623903      |
| 254T to 286U   | 31623903      |
| 256T to 286U   | 31623903      |
| 284TS to 324S  | 31623904      |
| 284TS to 326S  | 31623905      |
| 286TS to 326S  | 31623905      |
| 284T to 324U   | 31623906      |
| 286T to 324U   | 31623906      |
| 284T to 326U   | 31623906      |
| 286T to 326U   | 31623906      |
| 324TS to 364US | 31623907      |
| 324TS to 365US | 31623907      |
| 326TS to 365US | 31623908      |
| 324T to 364U   | 31623908      |
| 326T to 364U   | 31623909      |
| 324T to 365U   | 31623909      |
| 326T to 365U   | 31623909      |

| NEMA Frame     | Part Number** |
|----------------|---------------|
| 364T to 404U   | 31623910      |
| 365T to 404U   | 31623910      |
| 364T to 405U   | 31623910      |
| 365T to 405US  | 31623910      |
| 364TS to 404US | 31623911      |
| 365TS to 404US | 31623911      |
| 364TS to 405US | 31623911      |
| 365TS to 405US | 31623911      |
| 404T to 444U   | 31623912      |
| 405T to 444U   | 31623912      |
| 404T to 445U   | 31623912      |
| 405T to 445U   | 31623912      |
| 364T to 444U   | 31623915      |
| 365T to 444U   | 31623915      |
| 364T to 445U   | 31623915      |
| 365T to 445U   | 31623915      |
| 364T to 444US  | 31623916      |
| 365T to 444US  | 31623916      |
| 364T to 445US  | 31623916      |
| 365T to 445US  | 31623916      |

## Drip Cover Kits

Drip cover kits can be installed by the user to horizontal steel frame dripproof motors in the field. These kits cannot be used on cushion base motors, brake motors, terminal in-bracket motors, motors with protectors, or 56 frame motors with a Z suffix.

| Frame        | Part Number |
|--------------|-------------|
| 56-143T-145T | 10301702    |

## Motor modifications in one to three days...

If you need immediate motor modifications on 20 motors or less and want to avoid special engineering and manufacturing schedules, call your Century Customer Service Center. Your order will be confirmed and a delivery date established.

Quoted lead days are modification time only. They are subject to part availability and large order quantities. Please specify desired delivery dates on all orders to insure timely delivery.

## How to order

First determine whether you need a kit or part(s) to perform the modification. If you do not need a kit or part, then the modification price includes all supplies to perform that modification. If a kit/part is needed, the modification price is for the labor only to install the kit/part. The price of the kit or part and the motor are not included. When a kit or part is not included in the Net price, that modification price is designated + Cost of Part(s). You must add the net price of the motor and the kit/part to the net price of the modification(s) to calculate the total price of the modified motor.

## Return/Cancellation Policy

If a Rush Center order is cancelled after the motor is modified but before it ships, a cancellation charge of double the modification charge will be invoiced to the customer. Any Rush Center order cancelled before modifications are completed is subject to a cancellation charge of 25% of the total modification charges for that item. Once shipped, modified motors may not be returned for credit or restocking.

## CR2 Bearing and Lubrication Change

Modification includes the disassembly of the motor and changing to either customer specified grease or bearings. Bearings can be almost any combination of sealed, shielded, or open. If required, bearing cavities can be repacked with specified grease. Modification is limited to availability of specified bearings and grease. Special bearings, not stocked by Century, may be obtained for an additional charge.

48-440T Frame contact Customer Service for quote.

## CR2C Special Grease

For special grease for high temperature, low temperature. Consult company with full application details or other environmental conditions for recommendations. **Quoted upon request.**

## CR2A Double Shielded Bearings

Add substitutes double shielded for standard bearing (not available on 2 pole motors frame 284T or larger)

| NEMA Frame | List Price Per Motor (U.S. \$) | NEMA Frame | List Price Per Motor (U.S. \$) |
|------------|--------------------------------|------------|--------------------------------|
| 140T       | \$ 255.32                      | 320T       | \$ 510.64                      |
| 180T       | 282.98                         | 360T       | 765.96                         |
| 210T       | 282.98                         | 400T       | 1,021.28                       |
| 250T       | 319.15                         | 440T       | 1,021.28                       |
| 280T       | 340.43                         |            |                                |

## CR2B Sealed Bearings

Add substitutes sealed for standard bearings (not available on 2 pole motors frame 284T or larger). May not be suitable for belted applications—consult the company with full application details.

| NEMA Frame | List Price Per Motor (U.S. \$) | NEMA Frame | List Price Per Motor (U.S. \$) |
|------------|--------------------------------|------------|--------------------------------|
| 140T       | \$ 276.60                      | 320T       | \$ 595.74                      |
| 180T       | 304.26                         | 360T       | 851.06                         |
| 210T       | 304.26                         | 400T       | 1,117.02                       |
| 250T       | 329.79                         | 440T       | 1,276.60                       |
| 280T       | 446.81                         |            |                                |

## CR13 Add C-Face Bracket

The C-Face bracket can be added to all 56-Frame motors. The C-Face bracket can be added to all 140T-320T frame catalog motors marked with the note: "C & D flange kit adaptable, TEFC" in the Notes column of tables shown in this catalog.

Modification includes disassembly of the motor and the installation of the C- or D-Face bracket kit. The 56-Frame C-Face bracket is aluminum unless otherwise specified.

| NEMA Frame | List Price Per Motor (U.S. \$) | NEMA Frame | List Price Per Motor (U.S. \$) |
|------------|--------------------------------|------------|--------------------------------|
| 140T       | \$ 127.66*                     | 320T       | \$ 191.49*                     |
| 180T       | 127.66*                        | 360T       | 191.49*                        |
| 210T       | 127.66*                        | 400T       | 191.49*                        |
| 250T       | 127.66*                        | 440T       | 191.49*                        |
| 280T       | 127.66*                        |            |                                |

\* + Cost of parts

## CR14 Base Modification

Modification can include either the addition or the removal of a base. Rigid or cushion bases can be added per customer requirement.

Adding a base is limited to steel frame 48, 56 or 140T Frames. The base can be removed on steel frames 48 through 210T and aluminum frames 180T-250T.

| NEMA Frame                         | List Price Per Motor (U.S. \$) |
|------------------------------------|--------------------------------|
| <b>Adding Base (Rigid/Cushion)</b> |                                |
| 48-140T                            | \$ 159.57*                     |
| <b>Remove (Rigid) Base</b>         |                                |
| 48-140T                            | \$ 121.28*                     |
| 180T-210T                          | 182.98*                        |
| 250T-280T                          | 242.55*                        |
| <b>Remove (Cushion) Base</b>       |                                |
| 48-140T                            | \$ 121.28*                     |

CR14 subject to design limitations of motors and parts.

\* + Cost of parts



**CR15 Convert to F2, Sidewall or Ceiling Mount – Three Phase Only**

Modification includes the disassembly of the motor and the conversion made to customer specifications. Due to varied construction, engineering approval may be required. Also includes the addition of appropriate condensation drain holes.

| NEMA Frame | List Price Per Motor (U.S. \$) | NEMA Frame | List Price Per Motor (U.S. \$) |
|------------|--------------------------------|------------|--------------------------------|
| 140T       | \$ 161.70                      | 320T       | \$ 242.55                      |
| 180T       | 161.70                         | 360T       | 242.55                         |
| 210T       | 161.70                         | 400T       | 323.40                         |
| 250T       | 161.70                         | 440T       | 323.40                         |
| 280T       | 242.55                         |            |                                |

**CR16 Nameplates – Replacement**

The new nameplate and motor, after re-nameplating, will *not* be UL listed or CSA recognized. Modification covers the removal of the existing nameplate on the motor and replacement with a new one. All nameplate changes are subject to Engineering approval.

| NEMA Frame | List Price Per Motor (U.S. \$) | NEMA Frame | List Price Per Motor (U.S. \$) |
|------------|--------------------------------|------------|--------------------------------|
| 56         | \$ 121.28                      | 280T       | \$ 121.28                      |
| 140T       | 121.28                         | 320T       | 182.98                         |
| 180T       | 121.28                         | 360T       | 182.98                         |
| 210T       | 121.28                         | 400T       | 182.98                         |
| 250T       | 121.28                         | 440T       | 182.98                         |

**CR18 Thermostats**

Normally-closed automatic reset thermostats mounted next to the stator windings are available for supplementary thermal overload protection. These thermostats are not suitable protection for stalled conditions or other rapidly changing temperature conditions. For thermistor, add \$22.00 to list price.

These thermostats will be supplied with two leads brought to the motor terminal box for connection to a relay or signaling device. They are not suitable for interrupting line current.

**Not suitable on Explosion-Proof motors. Humatic Thermostats, add \$30.00.**

| NEMA Frame | List Price Per Motor (U.S. \$) | NEMA Frame | List Price Per Motor (U.S. \$) |
|------------|--------------------------------|------------|--------------------------------|
| 48-56T     | \$ 205.67                      | 280T       | \$ 273.05                      |
| 140T       | 205.67                         | 320T       | 273.05                         |
| 180T       | 205.67                         | 360T       | 273.05                         |
| 210T       | 205.67                         | 400T       | 340.43                         |
| 250T       | 205.67                         | 440T       | 340.43                         |

**CR18 Thermistors**

| NEMA Frame | List Price Per Motor (U.S. \$) | NEMA Frame | List Price Per Motor (U.S. \$) |
|------------|--------------------------------|------------|--------------------------------|
| 48-56T     | \$ 453.90                      | 280T       | \$ 521.28                      |
| 140T       | 453.90                         | 320T       | 521.28                         |
| 180T       | 453.90                         | 360T       | 521.28                         |
| 210T       | 453.90                         | 400T       | 588.65                         |
| 250T       | 453.90                         | 440T       | 588.65                         |

**CR19 Paint**

**Repaint to a Century Stock Color**

Modification includes the cost of repainting a motor to an existing Century stock color. Other colors can be applied at the same price but with an extended lead time. If the paint is an air dry lacquer, either Century can purchase it or the customer can supply it. If the paint is a special paint at above normal cost, or if the paint has a minimum order quantity, the customer will be advised before the order is entered concerning extra costs.

| NEMA Frame | List Price Per Motor (U.S. \$) | NEMA Frame | List Price Per Motor (U.S. \$) |
|------------|--------------------------------|------------|--------------------------------|
| 140T       | \$ 208.51                      | 320T       | \$ 255.32                      |
| 180T       | 208.51                         | 360T       | 457.45                         |
| 210T       | 208.51                         | 400T       | 457.45                         |
| 250T       | 255.32                         | 440T       | 457.45                         |
| 280T       | 255.32                         |            |                                |

**CR20**

**Screens-Open Dripproof Motors**

Modification includes the disassembly of the open dripproof motor and the addition of corrosion-resistant screens on air inlet and air outlet openings. The screens have a ¼" opening and are applied to the inside of the motor.

| NEMA Frame | List Price Per Motor (U.S. \$) | NEMA Frame | List Price Per Motor (U.S. \$) |
|------------|--------------------------------|------------|--------------------------------|
| 140T       | \$ 212.77                      | 320T       | \$ 297.87                      |
| 180T       | 212.77                         | 360T       | 297.87                         |
| 210T       | 212.77                         | 400T       | 382.98                         |
| 250T       | 297.87                         | 440T       | 382.98                         |
| 280T       | 297.87                         |            |                                |

**CR21**

**Space Heaters**

Modification includes the disassembly of the motor and the addition of 115V, 230V or 460V space heaters laced to the motor winding. Number of space heaters will vary with frame size and voltage.

Multiple space heaters will be internally connected. The two space heater leads will be brought to the existing motor terminal box. Space heater voltage must be specified on the order. Some 56-140T-Frame motors may not be suitable for installation of space heaters.

| NEMA Frame | List Price Per Motor (U.S. \$) | NEMA Frame | List Price Per Motor (U.S. \$) |
|------------|--------------------------------|------------|--------------------------------|
| 48-56T     | \$ 255.32                      | 280T       | \$ 382.98                      |
| 140T       | 255.32                         | 320T       | 382.98                         |
| 180T       | 319.15                         | 360T       | 585.11                         |
| 210T       | 319.15                         | 400T       | 585.11                         |
| 250T       | 382.98                         | 440T       | 585.11                         |

## CR23

### Tropicalization

Modification includes the disassembly of the motor and the application of rust preventative primer to the rotor. The motor winding is given an extra spray of non-hygroscopic varnish. If screens are required for tropicalization, refer to CR20. Not applicable to Explosion Proof Motors.

| NEMA Frame | List Price Per Motor (U.S. \$) | NEMA Frame | List Price Per Motor (U.S. \$) |
|------------|--------------------------------|------------|--------------------------------|
| 48-56T     | \$ 234.04                      | 280T       | \$ 308.51                      |
| 140T       | 234.04                         | 320T       | 308.51                         |
| 180T       | 234.04                         | 360T       | 372.34                         |
| 210T       | 234.04                         | 400T       | 372.34                         |
| 250T       | 308.51                         | 440T       | 372.34                         |

## CR34

### Cast Iron Conduit Box

Modification includes the removal of standard steel conduit box and replacement with a Cast Iron Conduit box. This modification is available only on Cast Iron TEFC motors and subject to parts availability.

| NEMA Frame | List Price Per Motor (U.S. \$) | NEMA Frame | List Price Per Motor (U.S. \$) |
|------------|--------------------------------|------------|--------------------------------|
| 140T       | \$ 127.66*                     | 250T       | \$ 127.66*                     |
| 180T       | 127.66*                        | 280T       | 127.66*                        |
| 210T       | 127.66*                        | 320T       | 127.66*                        |

\* + Cost of parts

## CR36

### Cast Iron Fan Guard

Modification includes the removal of original fan guard and installation of Cast Iron Fan Guard. This modification is suitable for use with Cast Iron TEFC motors only and subject to availability.

| NEMA Frame | List Price Per Motor (U.S. \$) | NEMA Frame | List Price Per Motor (U.S. \$) |
|------------|--------------------------------|------------|--------------------------------|
| 140T       | \$ 127.66*                     | 250T       | \$ 127.66*                     |
| 180T       | 127.66*                        | 280T       | 191.49*                        |
| 210T       | 127.66*                        | 320T       | 191.49*                        |

\* + Cost of parts

## CR37

### AEGIS Shaft Grounding Ring Installation

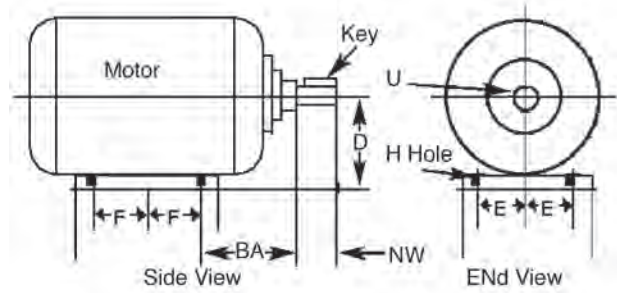
Modification includes the installation of AEGIS shaft grounding ring, attachment brackets, and screws. This modification is recommended for 56 frame to 440T frame IHP motors integrated with a variable frequency drive and protects against premature bearing/motor failure resulting from the discharge of induced shaft voltages.

| NEMA Frame                                | Mod Center Part Number | List Price Per Motor (U.S. \$) |
|---|------------------------|--------------------------------|
| 56  | CR37-SGR-56            | \$ 395.00                      |
| 143T-145T                                 | CR37-SGR-143-145       | 441.00                         |
| 182T-184T                                 | CR37-SGR-182-184       | 456.00                         |
| 213T-215T                                 | CR37-SGR-213-215       | 472.00                         |
| 254T-256T                                 | CR37-SGR-254-256       | 681.00                         |
| 284T/286/<br>324TS/326TS/<br>364TS/365TS  | CR37-SGR-284-365TS     | 711.00                         |
| 324T/326T/<br>404TS/405TS                 | CR37-SGR-324-405TS     | 788.00                         |
| 364T/365T/<br>444TS/445TS/<br>447TS/449TS | CR37-SGR-364-449TS     | 950.00                         |
| 404T/405T                                 | CR37-SGR-404-405       | 1,038.00                       |
| 444T/445T/<br>447T/449T                   | CR37-SGR-444-449       | 1,327.00                       |

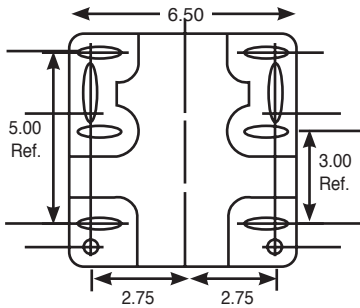
## Features

### Dimensions

Drip-proof, Totally Enclosed Fan Cooled and Explosion Proof. All dimensions are approximate, not to be used for construction purposes. Note: Drawing shows rigid base. Foot mounting dimensions listed are identical for either rigid or resilient base mounting. For 56H Combination Foot, refer to Diagram 1. For C Flange motors, refer to Diagram 2.



### 56H Combination Foot



**Diagram 1**

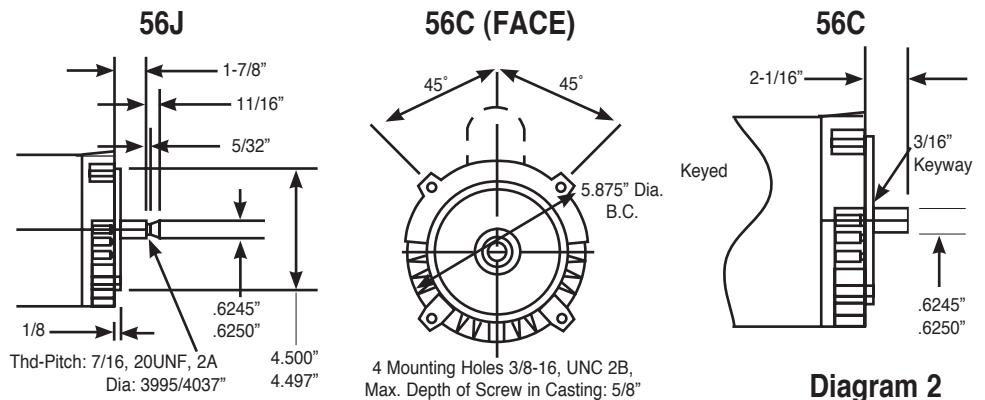
Suffix "Y" = Special Mount Dim.  
Suffix "Z" = Special Shaft Dim.

### Common to All Squirrel Cage Motors

| Frame | D             | E      | F      | BA     | U   | N-W    | Key Size         |
|-------|---------------|--------|--------|--------|-----|--------|------------------|
| 42    | 2-5/8         | 1-3/4  | 27/32  | 2-1/16 | 3/8 | 1-1/8  | .05 Flat         |
| 48    | 3             | 2-1/8  | 1-3/8  | 2-1/2  | 1/2 | 1-5/8  | .05 Flat         |
| 56    | 3-1/2         | 2-7/16 | 1-1/2  | 2-3/4  | 5/8 | 1-7/8  | 3/16 sq. x 1-3/8 |
| 56H   | 3-1/2         | Dia. 1 | Dia. 1 | 2-3/4  | 5/8 | 1-7/8  | 3/16 sq. x 1-3/8 |
| 56C   | See Diagram 2 |        |        |        | 5/8 | 1-7/8  | 3/16 sq. x 1-3/8 |
| 56J   | See Diagram 2 |        |        |        | 5/8 | 2-7/16 | Threaded         |
| 143T  | 3-1/2         | 2-3/4  | 2      | 2-1/4  | 7/8 | 2-1/4  | 3/16 sq. x 1-3/8 |
| 145T  | 3-1/2         | 2-3/4  | 2-1/2  | 2-1/4  | 7/8 | 2-1/4  | 3/16 sq. x 1-3/8 |

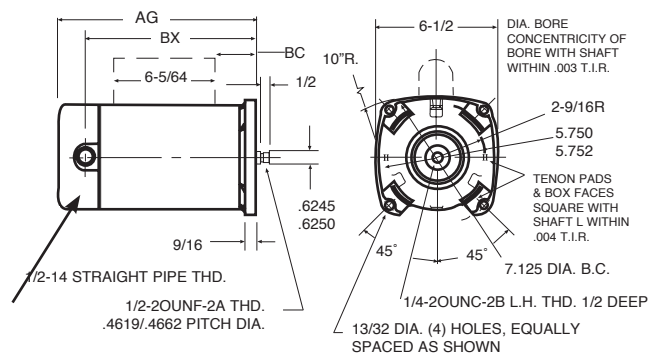
### CONVERSION CHART

| Decimal | Fraction |
|---------|----------|
| 0.0313  | 1/32     |
| 0.0625  | 1/16     |
| 0.0938  | 3/32     |
| 0.1250  | 1/8      |
| 0.1563  | 5/32     |
| 0.1875  | 3/16     |
| 0.2188  | 7/32     |
| 0.2500  | 1/4      |
| 0.2813  | 9/32     |
| 0.3125  | 5/16     |
| 0.3438  | 11/32    |
| 0.3750  | 3/8      |
| 0.4063  | 13/32    |
| 0.4375  | 7/16     |
| 0.4688  | 15/32    |
| 0.5000  | 1/2      |
| 0.5313  | 17/32    |
| 0.5625  | 9/16     |
| 0.5938  | 19/32    |
| 0.6250  | 5/8      |
| 0.6563  | 21/32    |
| 0.6875  | 11/16    |
| 0.7188  | 23/32    |
| 0.7500  | 3/4      |
| 0.7813  | 25/32    |
| 0.8125  | 13/16    |
| 0.8438  | 27/32    |
| 0.8750  | 7/8      |
| 0.9063  | 29/32    |
| 0.9375  | 15/16    |
| 0.9688  | 31/32    |



**Diagram 2**

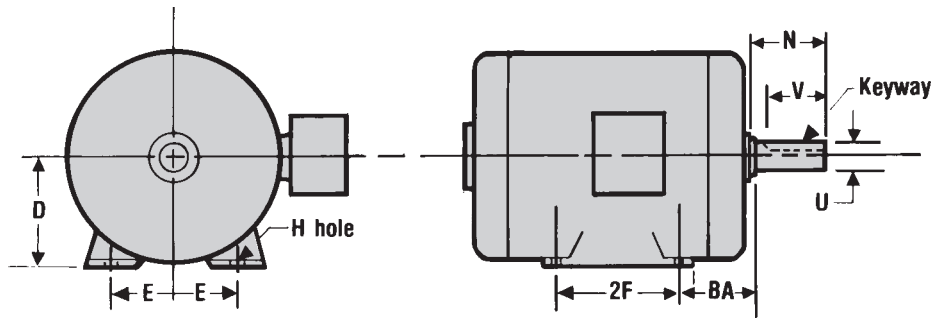
### SQUARE FLANGE



**Diagram 3**

# General Purpose IHP Motor Dimensions

Single and Three Phase 143T-449T Frame • Dripproof • Totally Enclosed • Explosion-Proof



| NEMA Frame | Keyway                  | BA   | D <sup>1</sup> | E    | 2F    | H     | N     | U <sup>2</sup> | V <sup>3</sup> |
|------------|-------------------------|------|----------------|------|-------|-------|-------|----------------|----------------|
| 143T       | 3/16 x 3/32             | 2.25 | 3.50           | 2.75 | 4.00  | 11/32 | 2.31  | .875           | 2.00           |
| 145T       | 3/16 x 3/32             | 2.25 | 3.50           | 2.75 | 5.00  | 11/32 | 2.31  | .875           | 2.00           |
| 182T       | 1/4 x 1/8               | 2.75 | 4.50           | 3.75 | 4.50  | 13/32 | 2.81  | 1.125          | 2.50           |
| 184T       | 1/4 x 1/8               | 2.75 | 4.50           | 3.75 | 5.50  | 13/32 | 2.81  | 1.125          | 2.50           |
| 213T       | 5/16 x 5/32             | 3.50 | 5.25           | 4.25 | 5.50  | 13/32 | 3.50  | 1.375          | 3.13           |
| 215T       | 5/16 x 5/32             | 3.50 | 5.25           | 4.25 | 7.00  | 13/32 | 3.50  | 1.375          | 3.13           |
| 254T       | 3/8 x 3/16              | 4.25 | 6.25           | 5.00 | 8.25  | 17/32 | 4.25  | 1.625          | 3.75           |
| 256T       | 3/8 x 3/16              | 4.25 | 6.25           | 5.00 | 10.00 | 17/32 | 4.25  | 1.625          | 3.75           |
| 284T       | 1/2 x 1/4               | 4.75 | 7.00           | 5.50 | 9.50  | 17/32 | 4.88  | 1.875          | 4.38           |
| 284TS      | 3/8 x 3/16              | 4.75 | 7.00           | 5.50 | 9.50  | 17/32 | 3.50  | 1.625          | 3.00           |
| 286T       | 1/2 x 1/4               | 4.75 | 7.00           | 5.50 | 11.00 | 17/32 | 4.88  | 1.875          | 4.38           |
| 286TS      | 3/8 x 3/16              | 4.75 | 7.00           | 5.50 | 11.00 | 17/32 | 3.50  | 1.625          | 3.00           |
| 324T       | 1/2 x 1/4               | 5.25 | 8.00           | 6.25 | 10.50 | 21/32 | 5.50  | 2.125          | 5.00           |
| 324TS      | 1/2 x 1/4               | 5.25 | 8.00           | 6.25 | 10.50 | 21/32 | 4.00  | 1.875          | 3.50           |
| 326T       | 1/2 x 1/4               | 5.25 | 8.00           | 6.25 | 12.00 | 21/32 | 5.50  | 2.125          | 5.00           |
| 326TS      | 1/2 x 1/4               | 5.25 | 8.00           | 6.25 | 12.00 | 21/32 | 4.00  | 1.875          | 3.50           |
| 364T       | 5/8 x 5/16              | 5.88 | 9.00           | 7.00 | 11.25 | 21/32 | 6.13  | 2.375          | 5.63           |
| 364TS      | 1/2 x 1/4               | 5.88 | 9.00           | 7.00 | 11.25 | 21/32 | 4.00  | 1.875          | 3.50           |
| 365T       | 5/8 x 5/16              | 5.88 | 9.00           | 7.00 | 12.25 | 21/32 | 6.13  | 2.375          | 5.63           |
| 365TS      | 1/2 x 1/4               | 5.88 | 9.00           | 7.00 | 12.25 | 21/32 | 4.00  | 1.875          | 3.50           |
| 404T       | 3/4 x 3/8               | 6.63 | 10.00          | 8.00 | 12.25 | 13/16 | 7.50  | 2.875          | 7.00           |
| 404TS      | 1/2 x 1/4               | 6.63 | 10.00          | 8.00 | 12.25 | 13/16 | 4.50  | 2.125          | 4.00           |
| 405T       | 3/4 x 3/8               | 6.63 | 10.00          | 8.00 | 13.75 | 13/16 | 7.50  | 2.875          | 7.00           |
| 405TS      | 1/2 x 1/4               | 6.63 | 10.00          | 8.00 | 13.75 | 13/16 | 4.50  | 2.125          | 4.00           |
| 444T       | 7/8 x 7/16              | 7.50 | 11.00          | 9.00 | 14.50 | 13/16 | 8.87  | 3.375          | 8.25           |
| 444TS      | 5/8 x 5/16              | 7.50 | 11.00          | 9.00 | 14.50 | 13/16 | 5.12  | 2.375          | 4.50           |
| 445T       | 7/8 x 7/16              | 7.50 | 11.00          | 9.00 | 16.50 | 13/16 | 8.87  | 3.375          | 8.25           |
| 445TS      | 5/8 x 5/16              | 7.50 | 11.00          | 9.00 | 16.50 | 13/16 | 5.12  | 2.375          | 4.50           |
| 445TZ      | 1 x 1/2 <sup>5</sup>    | 7.50 | 11.00          | 9.00 | 16.50 | 13/16 | 11.25 | 3.875          | 10.625         |
| 447T       | 7/8 x 7/16 <sup>4</sup> | 7.50 | 11.00          | 9.00 | 20.00 | 13/16 | 8.87  | 3.875          | 8.25           |
| 447TS      | 5/8 x 5/16 <sup>4</sup> | 7.50 | 11.00          | 9.00 | 20.00 | 13/16 | 5.12  | 2.375          | 4.50           |
| 447TZ      | 1 x 1/2 <sup>5</sup>    | 7.50 | 11.00          | 9.00 | 20.00 | 13/16 | 11.25 | 3.875          | 10.625         |
| 449T       | 7/8 x 7/16 <sup>4</sup> | 7.50 | 11.00          | 9.00 | 25.00 | 13/16 | 8.87  | 3.375          | 8.25           |
| 449TS      | 5/8 x 5/16 <sup>4</sup> | 7.50 | 11.00          | 9.00 | 25.00 | 13/16 | 5.12  | 2.375          | 4.50           |
| 449TZ      | 1 x 1/2 <sup>5</sup>    | 7.50 | 11.00          | 9.00 | 25.00 | 13/16 | 11.25 | 3.875          | 10.625         |

**Notes:**

- <sup>1</sup>Dimension "D" tolerance: - .8" or less, +.000, -.031; over 8", +.000-.062
- <sup>2</sup>Dimension "U" tolerance: - 11/2" dia. or less, +.0000, -.0005; over 11/2" dia., +.000, -.001
- <sup>3</sup>Dimension "V" is usable length of shaft
- <sup>4</sup>Suitable for horizontal mounting only. Refer to company for belting applications.
- <sup>5</sup>Crusher-duty motors Spec 80546

**For Reference Only Unless  
Approved for Construction**

# NEMA Frame Assignments

## Open and TEFC

| NEMA Frame Program Hp | 3600 RPM             |                     |                      | 1800 RPM            |                     |                      | 1200 RPM        |                 |                      | 900 RPM         |                 |                      |
|-----------------------|----------------------|---------------------|----------------------|---------------------|---------------------|----------------------|-----------------|-----------------|----------------------|-----------------|-----------------|----------------------|
|                       | "T" Frames 1964      | "U" Frames 1952     | Original NEMA Frames | "T" Frames 1964     | "U" Frames 1952     | Original NEMA Frames | "T" Frames 1964 | "U" Frames 1952 | Original NEMA Frames | "T" Frames 1964 | "U" Frames 1952 | Original NEMA Frames |
| 1                     | —                    | —                   | —                    | 143T                | 182                 | 203                  | 145T            | 184             | 204                  | 182T            | 213             | 225                  |
| 1 1/2                 | 143T                 | 182                 | 203                  | 145T                | 184                 | 204                  | 182T            | 184             | 224                  | 184T            | 213             | 254                  |
| 2                     | 145T                 | 184                 | 204                  | 145T                | 184                 | 224                  | 184T            | 213             | 225                  | 213T            | 215             | 254                  |
| 3                     | 145T / <b>182T</b>   | 184                 | 224                  | 182T                | 213                 | 225                  | 213T            | 215             | 254                  | 215T            | 254U            | 284                  |
| 5                     | 182T / <b>184T</b>   | 213                 | 225                  | 184T                | 215                 | 254                  | 215T            | 254U            | 284                  | 254T            | 256U            | 324                  |
| 7 1/2                 | 184T / <b>213T</b>   | 215                 | 254                  | 213T                | 254U                | 284                  | 254T            | 256U            | 324                  | 256T            | 284U            | 326                  |
| 10                    | 213T / <b>215T</b>   | 254U                | 284                  | 215T                | 256U                | 324                  | 256T            | 284U            | 326                  | 284T            | 286U            | 364                  |
| 15                    | 215T / <b>254T</b>   | 256U                | 324                  | 254T                | 284U                | 326                  | 284T            | 324U            | 364                  | 286T            | 326U            | 365                  |
| 20                    | 254T / <b>256T</b>   | 284U/ <b>286U</b>   | 326                  | 256T                | 286U                | 364                  | 286T            | 326U            | 365                  | 324T            | 364U            | 404                  |
| 25                    | 256T / <b>284TS</b>  | 286U/ <b>324U</b>   | 364S/ <b>365S</b>    | 284T                | 324U                | 364/ <b>365</b>      | 324T            | 364U            | 404                  | 326T            | 365U            | 405                  |
| 30                    | 284TS / <b>286TS</b> | 324S/ <b>326S</b>   | 364S/ <b>404S</b>    | 286T                | 326U                | 365/ <b>404</b>      | 326T            | 365U            | 405                  | 364T            | 404U            | 444                  |
| 40                    | 286TS / <b>324TS</b> | 326S/ <b>364US</b>  | 365S/ <b>405S</b>    | 324T                | 364U                | 404/ <b>405</b>      | 364T            | 404U            | 444                  | 365T            | 405U            | 445                  |
| 50                    | 324TS / <b>326TS</b> | 364US               | 404S/ <b>444S</b>    | 326T                | 365US               | 405S/ <b>444S</b>    | 365T            | 405U            | 445                  | 404T            | 444U            | 504U                 |
| 60                    | 326TS / <b>364TS</b> | 365US/ <b>405US</b> | 405S/ <b>445S</b>    | 364TS               | 404US/ <b>405US</b> | 444S/ <b>445S</b>    | 404T            | 444U            | 504U                 | 405T            | 445U            | 505                  |
| 75                    | 364TS / <b>365TS</b> | 404US/ <b>444US</b> | 444S/ <b>504S</b>    | 365TS               | 405US/ <b>444US</b> | 445S/ <b>504S</b>    | 405T            | 445U            | 505                  | 444T            | —               | —                    |
| 100                   | 365TS / <b>405TS</b> | 405US/ <b>445US</b> | 445S/ <b>505S</b>    | 404TS/ <b>405TS</b> | 444US/ <b>445US</b> | 504S/ <b>505S</b>    | 444T            | —               | —                    | 445T            | —               | —                    |
| 125                   | 404TS / <b>444TS</b> | 444US               | 504S                 | 405T / <b>444TS</b> | 445US               | 505S                 | 445T            | —               | —                    | —               | —               | —                    |
| 150                   | 405TS / <b>445TS</b> | 445US               | 505S                 | 444TS/ <b>445TS</b> | —                   | —                    | —               | —               | —                    | —               | —               | —                    |
| 200                   | 444TS                | —                   | —                    | 445TS               | —                   | —                    | —               | —               | —                    | —               | —               | —                    |
| 250                   | 445TS                | —                   | —                    | —                   | —                   | —                    | —               | —               | —                    | —               | —               | —                    |

### IEC/NEMA Comparison

|       |      | Dimensions in Millimeters |       |       |      |      |       |       |                |        |        | kW/Hp** Frame Assignments |     |     |     |     |
|-------|------|---------------------------|-------|-------|------|------|-------|-------|----------------|--------|--------|---------------------------|-----|-----|-----|-----|
| IEC   | NEMA | H                         | A     | B     | K    | D    | C     | E     | 3 Phase - TEFC |        |        |                           |     |     |     |     |
|       |      | D                         | 2E    | 2F    | H    | U    | BA    | N-W   | 2 Pole         | 4 Pole | 6 Pole |                           |     |     |     |     |
| 56    | NA   | 56                        | 90    | —     | —    | 5.8  | 9     | 36    | 20             | —      | —      | —                         | —   | —   | —   | —   |
| 63    | 42   | 63                        | 100   | 80    | 7    | 11   | 40    | 23    | 25 kW          | 18 kW  | —      | —                         | —   | —   | —   | —   |
| 71    | 48   | 71                        | 112   | 90    | 7    | 14   | 45    | 30    | .55            | 1/3 Hp | —      | —                         | —   | —   | —   | —   |
| 80    | 56   | 80                        | 125   | 100   | 10   | 19   | 50    | 40    | 1.1            | .75    | 1/2    | 1.1                       | 1.1 | 1.1 | 1.1 | 1.1 |
| 90S   | 143T | 90                        | 140   | 100   | 10   | 24   | 56    | 50    | 1.5            | 1      | 1      | 1                         | 1   | 1   | 1   | 1   |
| 90L   | 145T | 90                        | 140   | 100   | 10   | 24   | 56    | 50    | 2.2            | 1.5    | 1.1    | 1.1                       | 1.1 | 1.1 | 1.1 | 1.1 |
| 100L  | NA   | 100                       | 160   | 140   | 12   | 28   | 63    | 60    | 3              | 2.2    | 1.5    | 1.5                       | 1.5 | 1.5 | 1.5 | 1.5 |
| 112S  | 182T | 112                       | 190   | 114   | 12   | 28   | 70    | 60    | 3.7            | 2.2    | 1.5    | 2                         | 2   | 2   | 2   | 2   |
| 112M  | 184T | 112                       | 190   | 140   | 12   | 28   | 70    | 60    | 3.7            | 4      | 2.2    | 2                         | 2   | 2   | 2   | 2   |
| 132S  | 213T | 132                       | 216   | 140   | 12   | 38   | 89    | 80    | 7.5            | 5.5    | 3      | 3                         | 3   | 3   | 3   | 3   |
| 132M  | 215T | 132                       | 216   | 178   | 12   | 38   | 89    | 80    | 45             | 5.3    | 3      | 3                         | 3   | 3   | 3   | 3   |
| 160M* | 254T | 160                       | 254   | 210   | 15   | 42   | 108   | 110   | 15             | 11     | 7.5    | 10                        | 10  | 10  | 10  | 10  |
| 180L* | 284T | 180                       | 279   | 241   | 15   | 48   | 121   | 110   | 22             | 15     | 11     | 15                        | 15  | 15  | 15  | 15  |
| 180M* | 286T | 180                       | 279   | 241   | 15   | 48   | 121   | 110   | 22             | 15     | 11     | 15                        | 15  | 15  | 15  | 15  |
| 200M* | 324T | 200                       | 318   | 267   | 19   | 55   | 133   | 110   | 30             | 30     | 20     | 20                        | 20  | 20  | 20  | 20  |
| 200L* | 326T | 200                       | 318   | 305   | 19   | 55   | 133   | 110   | 37             | 37     | 22     | 22                        | 22  | 22  | 22  | 22  |
| 225S* | 364T | 225                       | 356   | 286   | 19   | 60   | 149   | 140   | —              | 37     | 30     | 30                        | 30  | 30  | 30  | 30  |
| 225M* | 365T | 225                       | 356   | 311   | 19   | 60   | 149   | 140   | —              | 50/75  | 40     | 40                        | 40  | 40  | 40  | 40  |
| 250M* | 405T | 250                       | 406   | 349   | 24   | 65   | 168   | 140   | 55             | 55     | —      | —                         | —   | —   | —   | —   |
| 280S* | 444T | 280                       | 457   | 368   | 24   | 75   | 190   | 140   | —              | —      | 45     | 45                        | 45  | 45  | 45  | 45  |
| 280M* | 445T | 280                       | 457   | 419   | 24   | 75   | 190   | 140   | —              | —      | 80/100 | 80                        | 80  | 80  | 80  | 80  |
|       |      | 280                       | 457   | 419   | 24   | 75   | 190   | 140   | —              | —      | 55     | 55                        | 55  | 55  | 55  | 55  |
|       |      | 279.4                     | 457.2 | 368.3 | 20.6 | 85.7 | 190.5 | 215.9 | —              | —      | 75/125 | 75                        | 75  | 75  | 75  | 75  |

\* Shaft dimensions of these IEC frames may vary between manufacturers.  
 \*\* Horsepower listed is closest comparable rating with similar mounting dimensions. In some instances this results in greater Hp rating than required. For example, 37 kW, 4 pole converts to 50 Hp but nearest Hp rating in the NEMA frame having comparable dimensions is 75 Hp. In these instances the Hp rating printed in black is the direct conversion, and Hp printed in Red is the Hp of the dimensionally desirable frame. **OBSERVE CAUTION if the drive train or driven load is likely to be damaged by the greater Hp.**  
 Equivalent Hp can be calculated by multiplying the kW rating by 1.341. Multiply Hp by .7457 to convert Hp to kW.  
 To convert from millimeters to inches, multiply by .03937. To convert from inches to millimeters, multiply by 25.40.

### Fraction/Decimal/Millimeter Conversions

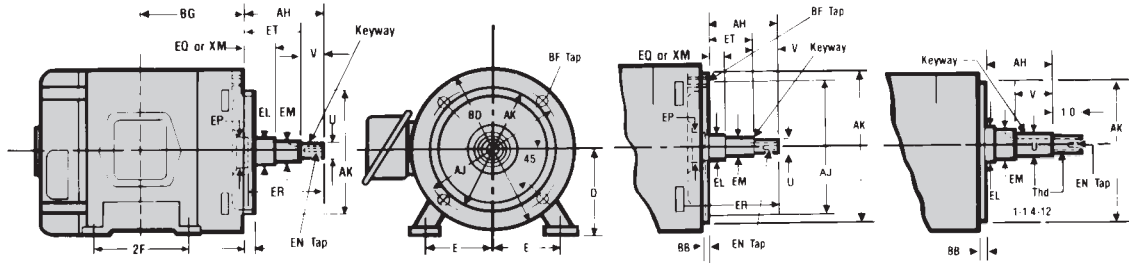
| Fraction | Decimal | Millimeter | Fraction | Decimal | Millimeter | MM | Inch  |
|----------|---------|------------|----------|---------|------------|----|-------|
| 1/64     | .015625 | 0.397      | 33/64    | .515625 | 13.097     | 1  | .0394 |
| 1/32     | .03125  | 0.794      | 17/32    | .53125  | 13.494     | 2  | .0787 |
| 3/64     | .046875 | 1.191      | 35/64    | .546875 | 13.891     | 3  | .1181 |
| 1/16     | .0625   | 1.588      | 9/16     | .5625   | 14.288     | 4  | .1575 |
| 5/64     | .078125 | 1.984      | 31/64    | .578125 | 14.684     | 5  | .1969 |
| 3/32     | .09375  | 2.381      | 19/32    | .59375  | 15.081     | 6  | .2362 |
| 7/64     | .109375 | 2.778      | 39/64    | .609375 | 15.478     | 7  | .2756 |
| 1/8      | .125    | 3.175      | 5/8      | .625    | 15.875     | 8  | .3150 |
| 9/64     | .140625 | 3.572      | 41/64    | .640625 | 16.272     | 9  | .3543 |
| 5/32     | .15625  | 3.969      | 21/32    | .65625  | 16.669     | 10 | .3937 |
| 11/64    | .171875 | 4.366      | 43/64    | .671875 | 17.066     | 11 | .4331 |
| 3/16     | .1875   | 4.763      | 11/16    | .6875   | 17.463     | 12 | .4724 |
| 13/64    | .203125 | 5.159      | 45/64    | .703125 | 17.859     | 13 | .5118 |
| 7/32     | .21875  | 5.556      | 23/32    | .71875  | 18.256     | 14 | .5512 |
| 15/64    | .234375 | 5.953      | 47/64    | .734375 | 18.653     | 15 | .5906 |
| 1/4      | .25     | 6.350      | 3/4      | .75     | 19.050     | 16 | .6299 |
| 17/64    | .265625 | 6.747      | 49/64    | .765625 | 19.447     | 17 | .6693 |
| 9/32     | .28125  | 7.144      | 25/32    | .78125  | 19.844     | 18 | .7087 |
| 19/64    | .296875 | 7.541      | 51/64    | .796875 | 20.241     | 19 | .7480 |
| 5/16     | .3125   | 7.938      | 13/16    | .8125   | 20.638     | 20 | .7874 |
| 21/64    | .328125 | 8.334      | 53/64    | .828125 | 21.034     | 21 | .8268 |
| 11/32    | .34375  | 8.731      | 27/32    | .84375  | 21.431     | 22 | .8661 |
| 23/64    | .359375 | 9.128      | 55/64    | .859375 | 21.828     | 23 | .9055 |
| 3/8      | .375    | 9.525      | 7/8      | .875    | 22.225     | 24 | .9449 |
| 25/64    | .390625 | 9.922      | 57/64    | .890625 | 22.622     | 25 | .9843 |
| 13/32    | .40625  | 10.319     | 29/32    | .90625  | 23.019     |    |       |
| 27/64    | .421875 | 10.716     | 59/64    | .921875 | 23.416     |    |       |
| 7/16     | .4375   | 11.113     | 15/16    | .9375   | 23.813     |    |       |
| 29/64    | .453125 | 11.509     | 61/64    | .953125 | 24.209     |    |       |
| 15/32    | .46875  | 11.906     | 31/32    | .96875  | 24.606     |    |       |
| 31/64    | .484375 | 12.303     | 63/64    | .984375 | 24.003     |    |       |
| 1/2      | .5      | 12.700     | 1        | 1.0     | 25.400     |    |       |

To convert millimeters into inches, multiply by .03937.  
 To convert inches into millimeters, multiply by 25.40.

# Century® Definite Purpose Motor Dimensions

## Close-Coupled Pump Motors

- Type JM and Type JP NEMA Standard
- West Coast Pump Type Century Standard



Types JM and JP  
143-184 Frame  
WCP Type  
143-145 Frame

Types JM and JP  
213-365 Frame  
WCP Type  
182-326 Frame

WCP Type  
364-445 Frame

### Tolerances — Indicator Reading in Inches

| Type            | Mounting | Face Runout                                  | Rabbit-Eccentricity                          | Shaft Runout                                 |
|-----------------|----------|--|--|--|
| Types JM and JP |          | Frames 143-256: .004<br>Frames 284-365: .006 | Frames 143-256: .004<br>Frames 284-365: .006 | Frames 143-256: .002<br>Frames 284-365: .003 |
| West Coast Pump |          | Frames 143-286: .004<br>Frames 324-445: .006 | Frames 143-286: .004<br>Frames 324-445: .007 | Frames 143-286: .002<br>Frames 324-445: .003 |

| Frame<br>(1) | Keyway |      |      | D<br>(2) | E    | 2F    | U<br>(4) | V    | AH<br>(5) | AJ<br>(6) | AK<br>(7) | BB  | BD    | BF Tap |     |       | BG<br>(3) | EL<br>(4) | EM<br>(4) | EN Tap |       | EP<br>Min. | EQ or<br>XM(5) | ER<br>Min. | ET<br>(2) |
|--------------|--------|------|------|----------|------|-------|----------|------|-----------|-----------|-----------|-----|-------|--------|-----|-------|-----------|-----------|-----------|--------|-------|------------|----------------|------------|-----------|
|              | W      | D    | L    |          |      |       |          |      |           |           |           |     |       | Thrd.  | No. | Dpth. |           |           |           | Thrd.  | Dpth. |            |                |            |           |
| 143JM        | 3/16   | 9/32 | 1.63 | 3.50     | 2.75 | 4.00  | 8745     | —    | 4.250     | 5.875     | 4.500     | .14 | 6.41  | 3/8-16 | 4   | .56   | 4.88      | 1.156     | 1.000     | 3/8-16 | .75   | 1.16       | .625           | 4.250      | 2.875     |
| 143JP        | 3/16   | 9/32 | 1.63 | 3.50     | 2.75 | 4.00  | 8745     | —    | 7.312     | 5.875     | 4.500     | .14 | 6.41  | 3/8-16 | 4   | .56   | 4.88      | 1.156     | 1.000     | 3/8-16 | .75   | 1.16       | 1.563          | 7.313      | 5.937     |
| 143TCZ       | 3/16   | 9/32 | 1.63 | 3.50     | 2.75 | 4.00  | 8745     | 1.38 | 7.312     | 5.875     | 4.500     | .14 | 6.41  | 3/8-16 | 4   | .56   | 4.88      | 1.250     | 1.000     | 3/8-16 | 1.00  | —          | 1.563          | —          | —         |
| 145JM        | 3/16   | 9/32 | 1.63 | 3.50     | 2.75 | 5.00  | 8745     | —    | 4.250     | 5.875     | 4.500     | .14 | 6.41  | 3/8-16 | 4   | .56   | 5.38      | 1.156     | 1.000     | 3/8-16 | .75   | 1.16       | .625           | 4.250      | 2.875     |
| 145JP        | 3/16   | 9/32 | 1.63 | 3.50     | 2.75 | 5.00  | 8745     | —    | 7.312     | 5.875     | 4.500     | .14 | 6.41  | 3/8-16 | 4   | .56   | 4.88      | 1.156     | 1.000     | 3/8-16 | .75   | 1.16       | 1.563          | 7.313      | 5.937     |
| 145TCZ       | 3/16   | 9/32 | 1.63 | 3.50     | 2.75 | 5.00  | 8745     | 1.38 | 7.312     | 5.875     | 4.500     | .14 | 6.41  | 3/8-16 | 4   | .56   | 4.88      | 1.250     | 1.000     | 3/8-16 | 1.00  | —          | 1.563          | —          | —         |
| 182JM        | 3/16   | 9/32 | 1.63 | 4.50     | 3.75 | 4.50  | 8745     | —    | 4.250     | 5.875     | 4.500     | .14 | 6.41  | 3/8-16 | 4   | .56   | 5.88      | 1.250     | 1.000     | 3/8-16 | .75   | 1.25       | .625           | 4.250      | 2.875     |
| 182JP        | 3/16   | 9/32 | 1.63 | 4.50     | 3.75 | 4.50  | 8745     | —    | 7.312     | 5.875     | 4.500     | .14 | 6.41  | 3/8-16 | 4   | .56   | 5.88      | 1.250     | 1.000     | 3/8-16 | .75   | 1.25       | 1.563          | 7.313      | 5.937     |
| 182TCZ       | 3/16   | 9/32 | 1.63 | 4.50     | 3.75 | 4.50  | 8745     | 1.38 | 7.312     | 7.250     | 8.500     | .27 | 8.96  | 1/2-13 | 4   | .75   | 5.88      | 1.250     | 1.000     | 3/8-16 | 1.00  | —          | 1.563          | —          | —         |
| 184JM        | 3/16   | 9/32 | 1.63 | 4.50     | 3.75 | 5.50  | 8745     | —    | 4.250     | 5.875     | 4.500     | .14 | 6.41  | 3/8-16 | 4   | .56   | 6.38      | 1.250     | 1.000     | 3/8-16 | .75   | 1.25       | .625           | 4.250      | 2.875     |
| 184JP        | 3/16   | 9/32 | 1.63 | 4.50     | 3.75 | 5.50  | 8745     | —    | 7.312     | 5.875     | 4.500     | .14 | 6.41  | 3/8-16 | 4   | .56   | 6.38      | 1.250     | 1.000     | 3/8-16 | .75   | 1.25       | 1.563          | 7.313      | 5.937     |
| 184TCZ       | 3/16   | 9/32 | 1.63 | 4.50     | 3.75 | 5.50  | 8745     | 1.38 | 7.312     | 7.250     | 8.500     | .27 | 8.96  | 1/2-13 | 4   | .75   | 6.38      | 1.250     | 1.000     | 3/8-16 | 1.00  | —          | 1.563          | —          | —         |
| 213JM        | 3/16   | 9/32 | 1.63 | 5.25     | 4.25 | 5.50  | 8745     | —    | 4.250     | 7.250     | 8.500     | .27 | 8.75  | 1/2-13 | 4   | .75   | 7.25      | 1.250     | 1.000     | 3/8-16 | .75   | 1.75       | .625           | 4.250      | 2.875     |
| 213JP        | 3/16   | 1/8  | 2.50 | 5.25     | 4.25 | 5.50  | 1.2495   | —    | 8.125     | 7.250     | 8.500     | .27 | 8.75  | 1/2-13 | 4   | .75   | 7.25      | 1.750     | 1.375     | 1/2-13 | 1.00  | 1.75       | 2.375          | 8.125      | 5.875     |
| 213TCZ       | 3/16   | 9/32 | 1.63 | 5.25     | 4.25 | 5.50  | 8745     | 1.38 | 7.312     | 7.250     | 8.500     | .27 | 8.75  | 1/2-13 | 4   | .75   | 7.25      | 1.250     | 1.000     | 3/8-16 | 1.00  | —          | 1.563          | —          | —         |
| 215JM        | 3/16   | 9/32 | 1.63 | 5.25     | 4.25 | 7.00  | 8745     | —    | 4.250     | 7.250     | 8.500     | .27 | 8.75  | 1/2-13 | 4   | .75   | 8.00      | 1.250     | 1.000     | 3/8-16 | .75   | 1.75       | .625           | 4.250      | 2.875     |
| 215JP        | 3/16   | 1/8  | 2.50 | 5.25     | 4.25 | 7.00  | 1.2495   | —    | 8.125     | 7.250     | 8.500     | .27 | 8.75  | 1/2-13 | 4   | .75   | 8.00      | 1.750     | 1.375     | 1/2-13 | 1.00  | 1.75       | 2.375          | 8.125      | 5.875     |
| 215TCZ       | 3/16   | 9/32 | 1.63 | 5.25     | 4.25 | 7.00  | 8745     | 1.38 | 7.312     | 7.250     | 8.500     | .27 | 8.75  | 1/2-13 | 4   | .75   | 8.00      | 1.250     | 1.000     | 3/8-16 | 1.00  | —          | 1.563          | —          | —         |
| 254JM        | 1/4    | 1/8  | 2.50 | 6.25     | 5.00 | 8.26  | 1.2495   | —    | 5.250     | 7.250     | 8.500     | .27 | 9.25  | 1/2-13 | 4   | .75   | 9.13      | 1.750     | 1.375     | 1/2-13 | 1.00  | 1.75       | .625           | 5.250      | 3.000     |
| 254JP        | 1/4    | 1/8  | 2.50 | 6.25     | 5.00 | 8.26  | 1.2495   | —    | 8.125     | 7.250     | 8.500     | .27 | 9.25  | 1/2-13 | 4   | .75   | 9.13      | 1.750     | 1.375     | 1/2-13 | 1.00  | 1.75       | 2.375          | 8.125      | 5.875     |
| 254TCZ       | 1/4    | 1/8  | 2.63 | 6.25     | 5.00 | 8.26  | 1.2495   | 2.25 | 8.125     | 7.250     | 8.500     | .27 | 9.25  | 1/2-13 | 4   | .75   | 9.13      | 1.750     | 1.375     | 1/2-13 | 1.25  | —          | 2.375          | —          | —         |
| 256JM        | 1/4    | 1/8  | 2.50 | 6.25     | 5.00 | 10.00 | 1.2495   | —    | 5.250     | 7.250     | 8.500     | .27 | 9.25  | 1/2-13 | 4   | .75   | 10.00     | 1.750     | 1.375     | 1/2-13 | 1.00  | 1.75       | .625           | 5.250      | 3.000     |
| 256JP        | 1/4    | 1/8  | 2.50 | 6.25     | 5.00 | 10.00 | 1.2495   | —    | 8.125     | 7.250     | 8.500     | .27 | 9.25  | 1/2-13 | 4   | .75   | 10.00     | 1.750     | 1.375     | 1/2-13 | 1.00  | 1.75       | 2.375          | 8.125      | 5.875     |
| 256TCZ       | 1/4    | 1/8  | 2.63 | 6.25     | 5.00 | 10.00 | 1.2495   | 2.25 | 8.125     | 7.250     | 8.500     | .27 | 9.25  | 1/2-13 | 4   | .75   | 10.00     | 1.750     | 1.375     | 1/2-13 | 1.25  | —          | 2.375          | —          | —         |
| 284JM        | 1/4    | 1/8  | 2.50 | 7.00     | 5.50 | 9.50  | 1.2495   | —    | 5.250     | 11.000    | 12.500    | .27 | 13.88 | 5/8-11 | 4   | .94   | 9.75      | 1.750     | 1.375     | 1/2-13 | 1.00  | 2.13       | .625           | 5.250      | 3.000     |
| 284JP        | 1/4    | 1/8  | 2.50 | 7.00     | 5.50 | 9.50  | 1.2495   | —    | 8.125     | 11.000    | 12.500    | .27 | 13.88 | 5/8-11 | 4   | .94   | 9.75      | 1.750     | 1.375     | 1/2-13 | 1.00  | 2.13       | 2.375          | 8.125      | 5.875     |
| 284TCZ       | 1/4    | 1/8  | 2.63 | 7.00     | 5.50 | 9.50  | 1.2495   | 2.25 | 8.125     | 9.000     | 10.500    | .27 | 11.25 | 1/2-13 | 4   | .75   | 9.75      | 1.750     | 1.375     | 1/2-13 | 1.25  | —          | 2.375          | —          | —         |
| 286JM        | 1/4    | 1/8  | 2.50 | 7.00     | 5.50 | 11.00 | 1.2495   | —    | 5.250     | 11.000    | 12.500    | .27 | 13.88 | 5/8-11 | 4   | .94   | 10.50     | 1.750     | 1.375     | 1/2-13 | 1.00  | 2.13       | .625           | 5.250      | 3.000     |
| 286JP        | 1/4    | 1/8  | 2.50 | 7.00     | 5.50 | 11.00 | 1.2495   | —    | 8.125     | 11.000    | 12.500    | .27 | 13.88 | 5/8-11 | 4   | .94   | 10.50     | 1.750     | 1.375     | 1/2-13 | 1.00  | 2.13       | 2.375          | 8.125      | 5.875     |
| 286TCZ       | 1/4    | 1/8  | 2.63 | 7.00     | 5.50 | 11.00 | 1.2495   | 2.25 | 8.125     | 9.000     | 10.500    | .27 | 11.25 | 1/2-13 | 4   | .75   | 10.50     | 1.750     | 1.375     | 1/2-13 | 1.25  | —          | 2.375          | —          | —         |
| 324JM        | 1/4    | 1/8  | 2.50 | 8.00     | 6.25 | 10.50 | 1.2495   | —    | 5.250     | 11.000    | 12.500    | .27 | 12.75 | 5/8-11 | 4   | .94   | 10.75     | 1.750     | 1.375     | 1/2-13 | 1.00  | 2.13       | .625           | 5.250      | 3.000     |
| 324JP        | 1/4    | 1/8  | 2.50 | 8.00     | 6.25 | 10.50 | 1.2495   | —    | 8.125     | 11.000    | 12.500    | .27 | 12.75 | 5/8-11 | 4   | .94   | 10.75     | 1.750     | 1.375     | 1/2-13 | 1.00  | 2.13       | 2.375          | 8.125      | 5.875     |
| 324TCZ       | 1/4    | 1/8  | 2.63 | 8.00     | 6.25 | 10.50 | 1.2495   | 2.25 | 8.125     | 11.000    | 12.500    | .27 | 14.00 | 5/8-11 | 4   | .94   | 10.75     | 1.750     | 1.375     | 1/2-13 | 1.25  | —          | 2.375          | —          | —         |
| 326JM        | 1/4    | 1/8  | 2.50 | 8.00     | 6.25 | 12.00 | 1.2495   | —    | 5.250     | 11.000    | 12.500    | .27 | 12.75 | 5/8-11 | 4   | .94   | 11.50     | 1.750     | 1.375     | 1/2-13 | 1.00  | 2.13       | .625           | 5.250      | 3.000     |
| 326JP        | 1/4    | 1/8  | 2.50 | 8.00     | 6.25 | 12.00 | 1.2495   | —    | 8.125     | 11.000    | 12.500    | .27 | 12.75 | 5/8-11 | 4   | .94   | 11.50     | 1.750     | 1.375     | 1/2-13 | 1.00  | 2.13       | 2.375          | 8.125      | 5.875     |
| 326TCZ       | 1/4    | 1/8  | 2.63 | 8.00     | 6.25 | 12.00 | 1.2495   | 2.25 | 8.125     | 11.000    | 12.500    | .27 | 14.00 | 5/8-11 | 4   | .94   | 11.50     | 1.750     | 1.375     | 1/2-13 | 1.25  | —          | 2.375          | —          | —         |

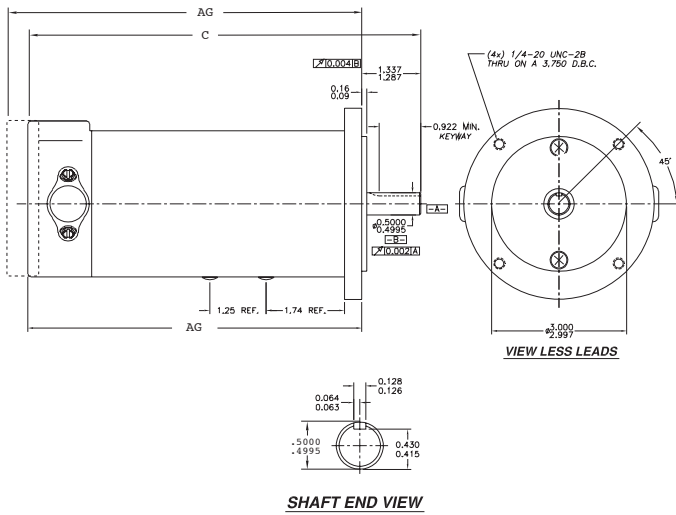
- Notes:** (1) Frame suffix letters JM and JP designate NEMA standard Types JM and JP motors. Frame suffix letters TCZ or TY designate Century Standard West Coast Pump motors.  
 (2) Dimension "D" may vary +.000" to -.031" when 8.00" or less; when over 8.00", may vary from +.000" to -.062".  
 (3) Note the different reference point for dimensions "BG" and "XM"; the reference point is the surface which has the mounting holes "BF", 256T, 256T.  
 (4) Shaft diameters "EM", "EL" (on West Coast Pump Motors) and "U" are held to tolerances of +.0000" and -.0005" diameters "EL" on Types JM and JP are held to tolerances of +.000" and -.002".  
 (5) Shaft extension "AH" is made to limits of ±.031" in Types JM and JP. Dimensions to shaft shoulders, "EQ" and "ET" are held to limits of ±.015" in Frames 143T-256T and limits of ±.020" in Frames 284T-445T. Dimensions and ET are measured with shaft pulled to maximum end-play away from motor. Dimension "XM", West Coast Pump, measured without end play.  
 (6) Bolt circle diameter-centerline "AJ" is true within .015" for Frames 143T-325T for Frames 284T-365T, and .031" for Frames 404T-445T.  
 (7) Rabbet diameter "AK" is held to limits of +.000" and -.003" when AK is 8.500" or less; it is held to limits of +.000" and -.005" when AK is more than 8.500"

For Reference Only Unless Approved for Construction

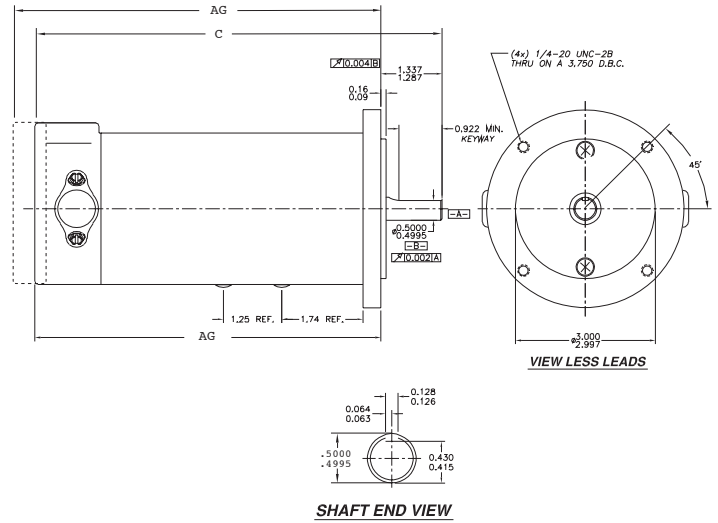


## Dimensions & Ratings

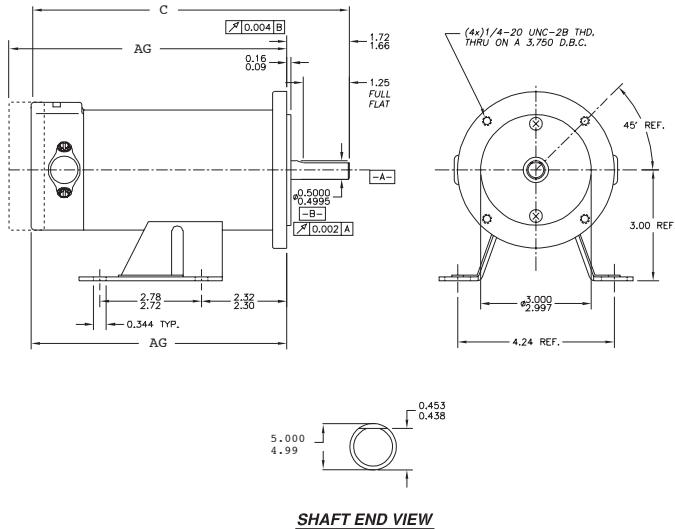
### NEMA 42CZ Frame Configuration



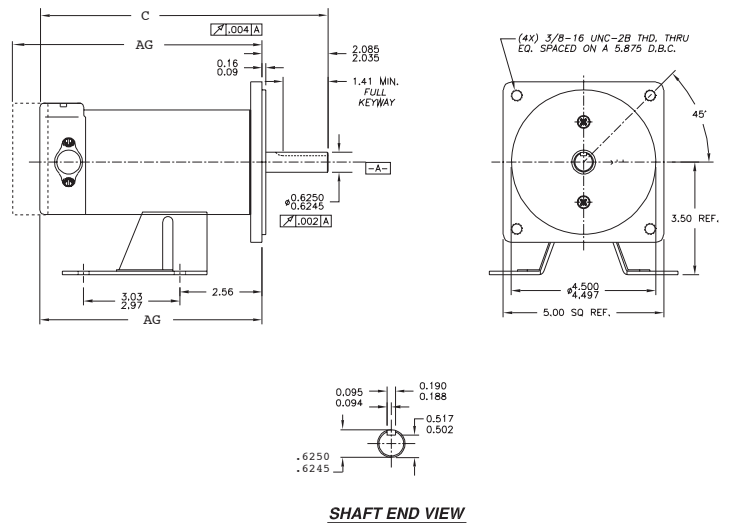
### NEMA 42C Frame Configuration



### NEMA 48C Frame Configuration

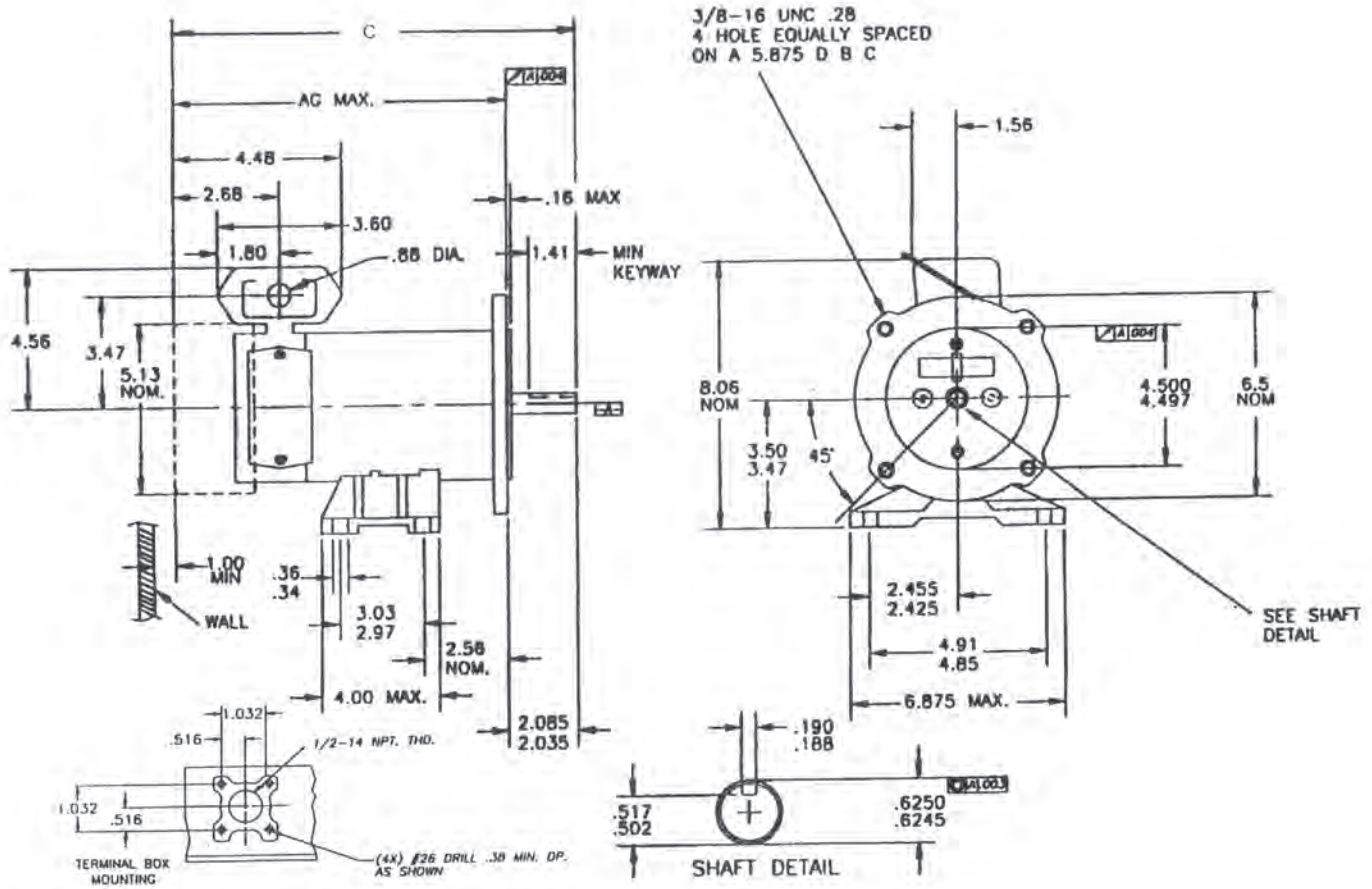


### NEMA 56C Frame Configuration



| HP  | Full Load RPM | Volts DC | Enclosure | NEMA Frame | Full Load Amps | Less Base Stock Number | Rigid Base Stock Number | AG Max |
|-----|---------------|----------|-----------|------------|----------------|------------------------|-------------------------|--------|
| 1/8 | 1725          | 90       | TENV      | 48C        | 1.4            | —                      | D019                    | 6.00   |
| 1/8 | 1725          | 90       | TENV      | 56C        | 1.4            | D027                   | D036                    | 7.00   |
| 1/6 | 1725          | 90       | TENV      | 42CZ/48CZ  | 1.9            | D014                   | —                       | 7.50   |
| 1/6 | 1725          | 90       | TEFC      | 48C        | 2.0            | —                      | D020                    | 7.75   |
| 1/4 | 1725          | 90       | TEFC      | 42CZ/48CZ  | 2.9            | D016                   | —                       | 8.75   |
| 1/4 | 1725          | 90       | TEFC      | 48C        | 2.9            | —                      | D021                    | 8.75   |
| 1/4 | 1725          | 90       | TEFC      | 56C        | 2.9            | D029                   | D038                    | 8.75   |

# Century® Industrial DC Motor Dimensions

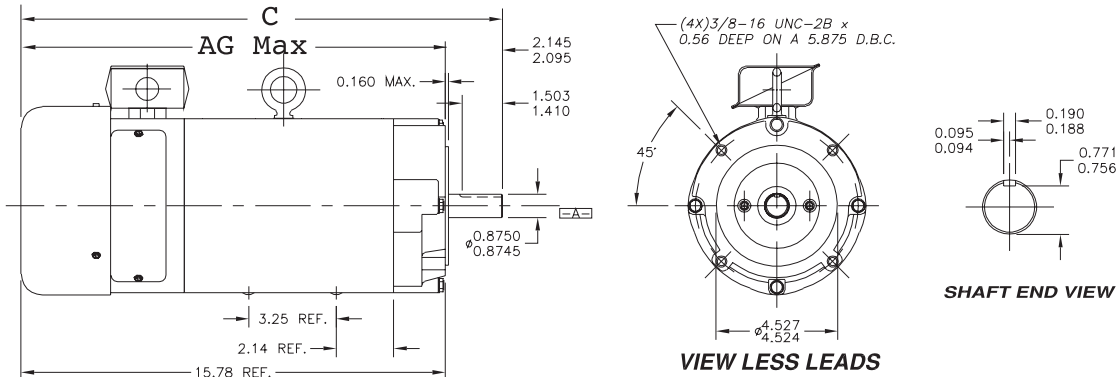


| HP  | Full Load RPM | Volts DC | Enclosure | NEMA Frame | Full Load Amps | Less Base Stock Number | Rigid Base Stock Number | AG Max. |
|-----|---------------|----------|-----------|------------|----------------|------------------------|-------------------------|---------|
| 1/4 | 1725          | 90       | TENV      | 56C        | 2.9            | D030                   | D039*                   | 7.88    |
| 1/3 | 1725          | 90       | TENV      | 56C        | 3.5            | D031                   | D040*                   | 8.69    |
| 1/3 | 1725          | 180      | TENV      | 56C        | 1.9            | D092                   |                         | 8.69    |
| 1/2 | 1725          | 90       | TEFC      | 56C        | 5.4            | D032                   | D041*                   | 10.56   |
| 1/2 | 1725          | 180      | TEFC      | 56C        | 2.6            | D052                   | D060*                   | 10.56   |
| 1/2 | 1725          | 90       | TENV      | 56C        | 5.5            | D033                   | D042*                   | 11.69   |
| 1/2 | 1725          | 180      | TENV      | 56C        | 2.8            | D068                   |                         | 11.69   |
| 1/2 | 2500          | 90       | TENV      | 56C        | 5.7            |                        | D066*                   | 8.69    |
| 1/2 | 2500          | 180      | TENV      | 56C        | 2.6            | D053                   |                         |         |
| 3/4 | 1725          | 90       | TEFC      | 56C        | 8.0            | D034                   | D043*                   | 12.56   |
| 3/4 | 1725          | 180      | TEFC      | 56C        | 4.0            | D054                   | D061*                   | 12.56   |
| 3/4 | 2500          | 90       | TEFC      | 56C        | 8.1            |                        | D059*                   | 10.56   |
| 1   | 1725          | 90       | TEFC      | 56C        | 10.0           | D035                   | D044*                   | 14.58   |
| 1   | 1725          | 180      | TEFC      | 56C        | 5.0            | D055                   | D062*                   | 14.58   |
| 1   | 2500          | 90       | TEFC      | 56C        | 12.0           |                        | D076*                   | 13.06   |
| 1   | 2500          | 180      | TEFC      | 56C        | 6.1            |                        | D073*                   | 13.06   |

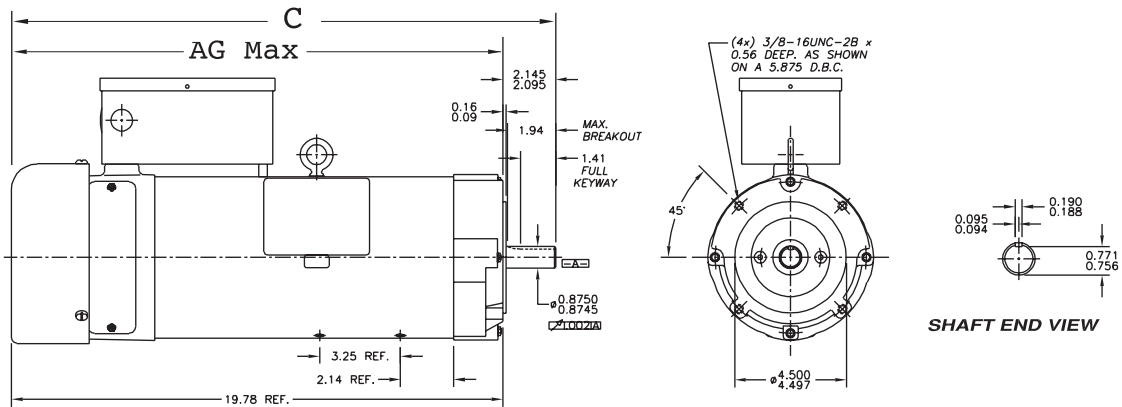
Notes: \* Removable Rigid base

## Dimensions & Ratings

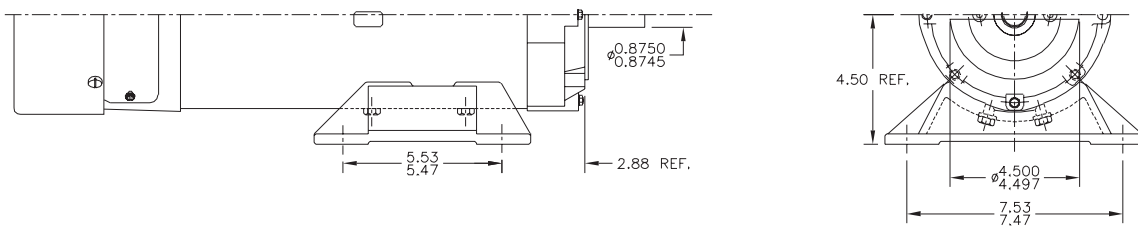
### 6600 Series (D070, D071, D074, D075, D080, D081 and W200 motors only)



### 6600 Series (D072, D082, W201\* and W202\* motors only)



### 184T Base (\*base and shaft dimensions W201 and W202)



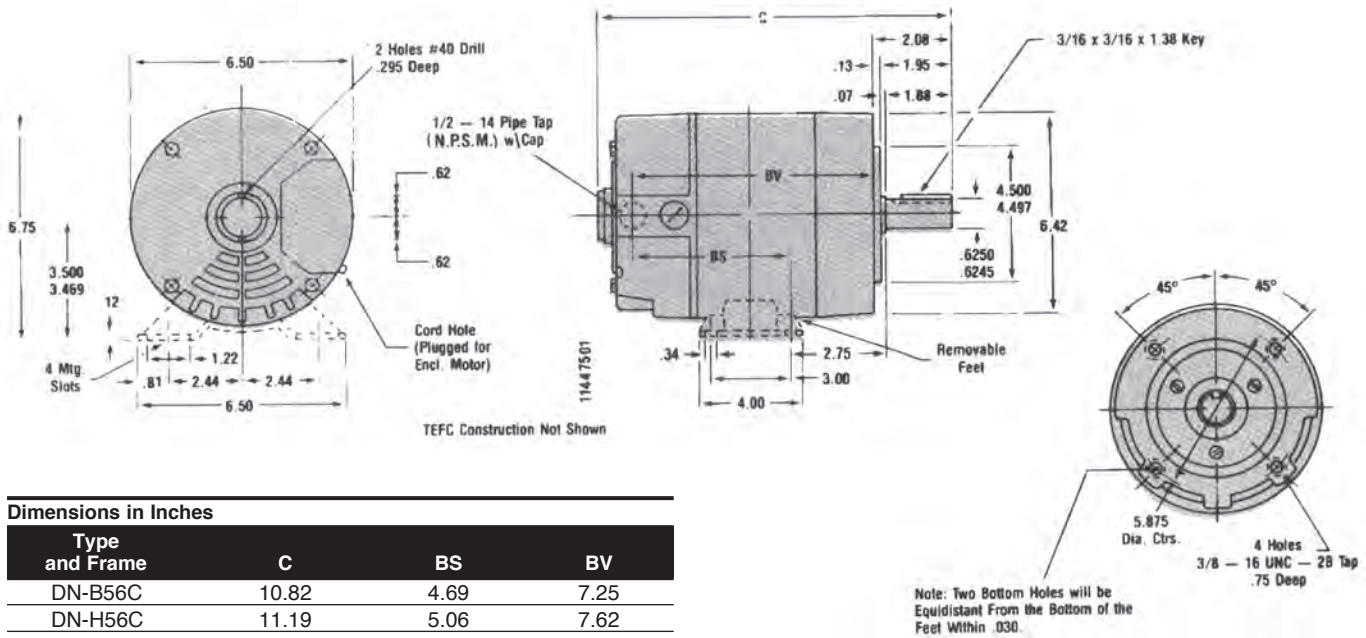
| HP    | Full Load RPM | Volts DC | Enclosure | NEMA Frame    | Full Load Amps | Less Base Stock Number | Rigid Base StockNumber | AG Max. |
|-------|---------------|----------|-----------|---------------|----------------|------------------------|------------------------|---------|
| 1-1/2 | 2500          | 180      | TEFC      | 143TC/145TC   | 7.80           |                        | D074                   | 14.25   |
| 1-1/2 | 1750          | 180      | TEFC      | 143TC/145TC   | 8.00           | D070                   | D080                   | 15.90   |
| 2     | 2500          | 180      | TEFC      | 143TC/145TC   | 11.20          |                        | D075                   | 15.90   |
| 2     | 1750          | 180      | TEFC      | 143TC/145TC   | 10.90          | D071                   | D081                   | 16.90   |
| 2     | 1750          | 180      | TEFC      | 143TCY/145TCY | 10.90          |                        | W200 <sup>1</sup>      | 16.90   |
| 3     | 1750          | 180      | TEFC      | 143TC/145TC   | 15.00          | D072                   | D082                   | 19.90   |
| 3     | 1750          | 180      | TEFC      | 143TCY/145TCY | 15.00          |                        | W201 <sup>1</sup>      | 19.90   |
| 3     | 1750          | 180      | TEFC      | 184TC         | 15.00          |                        | W202                   | 19.90   |

**Notes:**

<sup>1</sup>184T base, 4.5" shaft height

# Century® Industrial DC Motor Dimensions

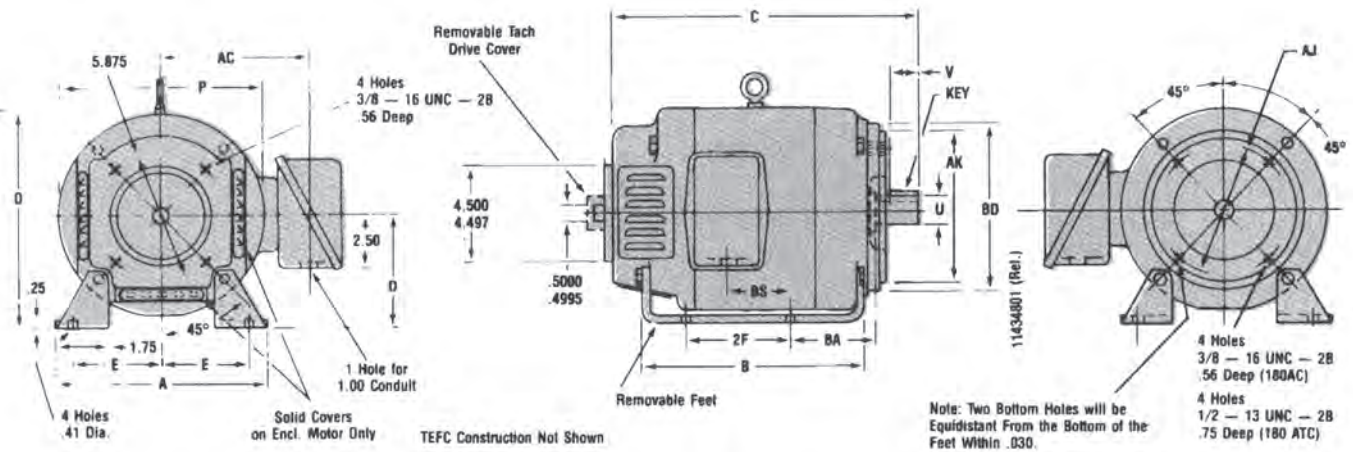
## Direct Current – Wound Field Fractional Horsepower Motors



### Dimensions in Inches

| Type and Frame | C     | BS   | BV    |
|----------------|-------|------|-------|
| DN-B56C        | 10.82 | 4.69 | 7.25  |
| DN-H56C        | 11.19 | 5.06 | 7.62  |
| DN-J56C        | 11.69 | 5.56 | 8.12  |
| DN-K56C        | 12.57 | 6.44 | 9.00  |
| DN-L56C        | 13.44 | 7.31 | 9.87  |
| DN-M56C        | 14.34 | 8.21 | 10.77 |

## Direct Current – Wound Field Integral Horsepower Motors



### Dimensions in Inches

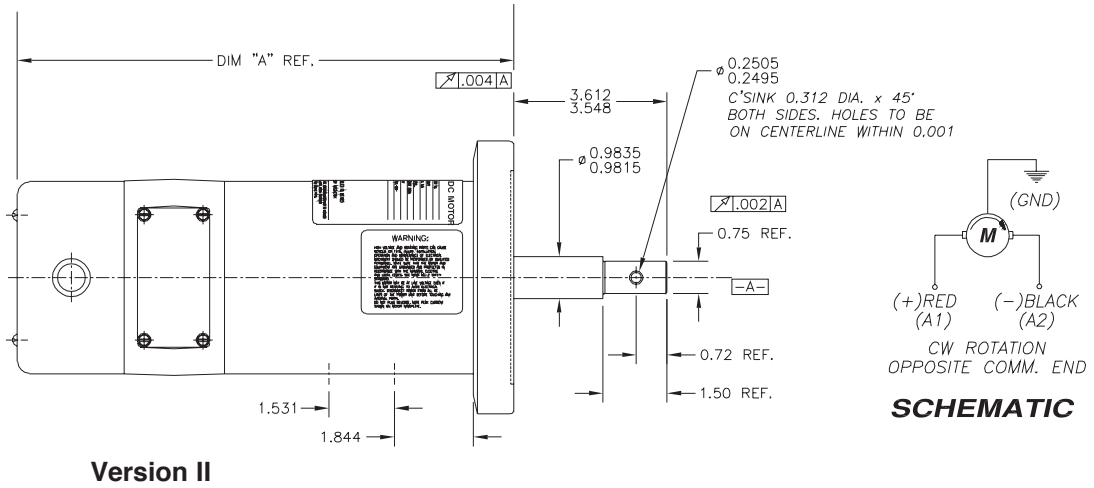
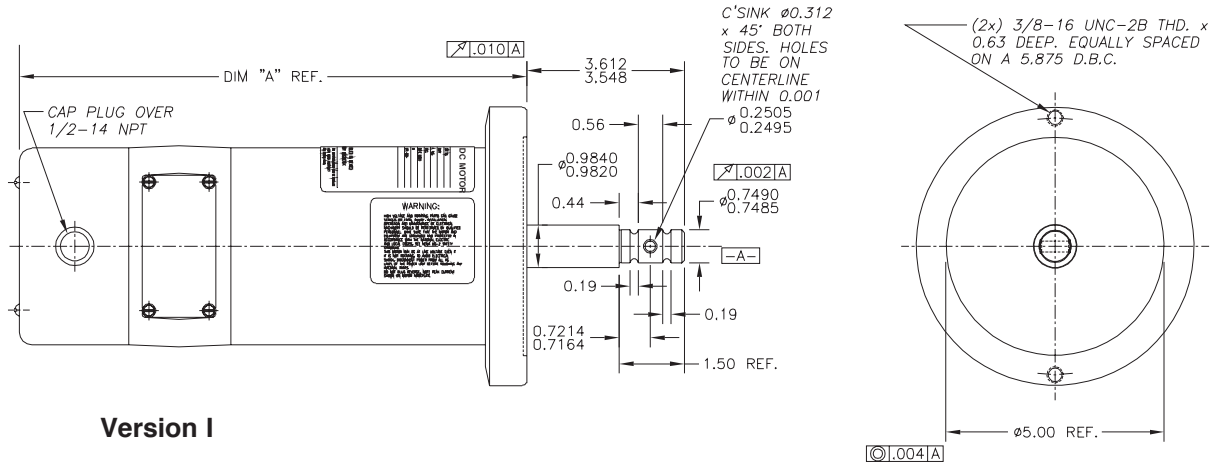
| Type and Frame | A    | B     | BA   | C     | D    | E    | 2F    | O    | P    | U <sup>2</sup> | V <sup>3</sup> | AC   | AK   | AJ    | BD   | BS <sup>1</sup> |
|----------------|------|-------|------|-------|------|------|-------|------|------|----------------|----------------|------|------|-------|------|-----------------|
| DN-184AC       | 8.60 | 10.70 | 2.75 | 15.18 | 4.50 | 3.75 | 5.50  | 9.00 | 9.00 | .8750          | 2.00           | 6.46 | 4.50 | 5.875 | 6.41 | 4.75            |
| DN-185AC       | 8.60 | 11.40 | 2.75 | 15.88 | 4.50 | 3.75 | 6.25  | 9.00 | 9.00 | .8750          | 2.00           | 6.46 | 4.50 | 5.875 | 6.41 | 5.46            |
| DN-187AC       | 8.60 | 12.70 | 2.75 | 17.18 | 4.50 | 3.75 | 8.00  | 9.00 | 9.00 | .8750          | 2.00           | 6.46 | 4.50 | 5.875 | 6.41 | 6.75            |
| DN-189AC       | 8.60 | 15.70 | 2.75 | 20.18 | 4.50 | 3.75 | 10.00 | 9.00 | 9.00 | .8750          | 2.00           | 6.46 | 4.50 | 5.875 | 6.41 | 9.24            |

### For Reference Only – Unless Approved for Construction

- Notes:**
- When terminal box is furnished on left or right side, dimensions will be as shown.
  - Shaft extensions are made to limits of +.020 – .030
  - Dimensions "V" represents usable length of shaft

- Tolerances (indicator reading in inches) –
- Face runout: .004
  - Shaft runout: .002
  - Eccentricity of mounting face: .004

## Zero Milk Tank Replacement Motors



| Stock No. | Version | Dimension L |
|-----------|---------|-------------|
| D201      | II      | 11.89       |
| D202      | II      | 13.88       |
| D211      | I       | 11.88       |
| D212      | I       | 13.88       |

**Notes:** Motor leads: red and black #16 AWG, 105°C or better  
 Shaft endplay: with 10 lbs. thrust in either direction, shaft movement shall not exceed .002"

# Index

| STOCK NUMBER | PRICE    | WT. | PAGE    | STOCK NUMBER | PRICE    | WT. | PAGE           |
|--------------|----------|-----|---------|--------------|----------|-----|----------------|
| 02           | \$216.00 | 5   | 33, 126 | 50           | \$242.00 | 8   | 38             |
| 0427         | \$339.00 | 13  | 46      | 52           | \$215.00 | 8   | 39             |
| 0547A        | \$367.00 | 15  | 95, 110 | 53           | \$205.00 | 7   | 39             |
| 5BK3072      | \$446.00 | 19  | 150     | 54           | \$236.00 | 8   | 39             |
| 5FC1066      | \$426.00 | 19  | 83      | 55           | \$250.00 | 9   | 39             |
| 5FC1106      | \$725.00 | 31  | 86      | 77           | \$197.00 | 5   | 34, 113        |
| 5FC3076      | \$822.00 | 25  | 83      | 78           | \$344.00 | 8   | 38, 113        |
| 5FC3106      | \$651.00 | 30  | 83      | 81           | \$158.00 | 4   | 30             |
| 5FE1036S     | \$236.00 | 17  | 80      | 84           | \$254.00 | 8   | 38             |
| 5FE1054S     | \$354.00 | 13  | 81      | 85           | \$254.00 | 8   | 38             |
| 5FE1056S     | \$279.00 | 17  | 81      | 89           | \$190.00 | 11  | 45             |
| 5FE1076S     | \$330.00 | 20  | 82      | 90           | \$208.00 | 9   | 49, 112        |
| 5OCA1056     | \$483.00 | 17  | 100     | 91           | \$167.00 | 5   | 36             |
| 5OCA3056     | \$511.00 | 19  | 100     | 93V1         | \$218.00 | 11  | 45             |
| 7DB6408      | \$184.00 | 11  | 45      | 96           | \$192.00 | 5   | 48             |
| 7DB6503      | \$301.00 | 12  | 47      | 97           | \$356.00 | 8   | 38, 112        |
| 7DB6504      | \$340.00 | 12  | 47      | 98           | \$228.00 | 8   | 49, 101        |
| 7FD1016      | \$222.00 | 10  | 69      | 136A         | \$327.00 | 10  | 59             |
| 7FD1024S     | \$333.00 | 13  | 67      | 144A         | \$333.00 | 13  | 57             |
| 7FD1026      | \$298.00 | 11  | 69      | 146A         | \$276.00 | 10  | 57             |
| 7FD1036      | \$275.00 | 14  | 69      | 148A         | \$330.00 | 14  | 69             |
| 7FD1056      | \$378.00 | 18  | 70      | 149A         | \$363.00 | 17  | 70             |
| 7FD6000A     | \$183.00 | 16  | 73      | 150A         | \$414.00 | 19  | 71             |
| 7FD6001A     | \$222.00 | 16  | 73      | 153A         | \$262.00 | 10  | 57, 113        |
| 7FSE1026     | \$291.00 | 16  | 80      | 158A         | \$403.00 | 19  | 78             |
| 7FSE1056     | \$348.00 | 19  | 81      | 159A         | \$540.00 | 14  | 78             |
| 7RA1016      | \$330.00 | 12  | 62      | 160A         | \$339.00 | 15  | 110            |
| 7RA1026      | \$350.00 | 13  | 63      | 170B         | \$331.00 | 10  | 62             |
| 7RA1036      | \$377.00 | 15  | 64      | 174A         | \$333.00 | 10  | 99, 102, 111   |
| 7RAB4010     | \$184.00 | 11  | 45      | 182A         | \$192.00 | 9   | 79             |
| 10           | \$150.00 | 2   | 33      | 246          | \$136.00 | 5   | 15, 16, 17     |
| 11           | \$98.00  | 3   | 33      | 247          | \$139.00 | 5   | 15             |
| 12           | \$138.00 | 3   | 19      | 248          | \$137.00 | 5   | 15             |
| 13           | \$147.00 | 4   | 19      | 249          | \$137.00 | 5   | 15             |
| 14           | \$85.00  | 2   | 30      | 250          | \$171.00 | 5   | 15, 18         |
| 15           | \$85.00  | 2   | 30      | 251          | \$171.00 | 5   | 15             |
| 16           | \$72.00  | 3   | 32      | 252          | \$178.00 | 5   | 15             |
| 17           | \$72.00  | 3   | 32      | 253          | \$178.00 | 5   | 15             |
| 18           | \$73.00  | 3   | 30      | 254          | \$171.00 | 5   | 15, 16, 17, 18 |
| 19           | \$73.00  | 3   | 30      | 255          | \$171.00 | 5   | 15             |
| 20           | \$73.00  | 3   | 32      | 256          | \$178.00 | 5   | 15, 17, 18     |
| 21           | \$73.00  | 3   | 32      | 257          | \$178.00 | 5   | 15             |
| 24           | \$127.00 | 3   | 34      | 258          | \$191.00 | 7   | 15, 16, 18     |
| 25           | \$127.00 | 3   | 34      | 259          | \$197.00 | 7   | 15             |
| 26           | \$78.00  | 3   | 30      | 260          | \$197.00 | 6   | 15, 16, 17, 18 |
| 27           | \$78.00  | 3   | 30      | 261          | \$197.00 | 6   | 15             |
| 28           | \$68.00  | 4   | 30      | 276          | \$197.00 | 7   | 15, 16, 18     |
| 29           | \$68.00  | 4   | 30      | 277          | \$215.00 | 5   | 15, 16, 17, 18 |
| 30           | \$68.00  | 4   | 31      | 285          | \$214.00 | 7   | 15, 16         |
| 31           | \$68.00  | 4   | 31      | 288          | \$230.00 | 7   | 15, 16         |
| 32           | \$80.00  | 3   | 30      | 289          | \$223.00 | 8   | 15, 16         |
| 33           | \$80.00  | 3   | 30      | 290          | \$424.00 | 8   | 15, 16         |
| 36           | \$93.00  | 3   | 30      | 291          | \$208.00 | 8   | 15, 17         |
| 38           | \$156.00 | 4   | 36      | 292          | \$222.00 | 5   | 15             |
| 40           | \$139.00 | 5   | 36      | 296          | \$234.00 | 5   | 15             |
| 41           | \$139.00 | 5   | 36      | 297          | \$230.00 | 7   | 15, 17         |
| 42           | \$94.00  | 4   | 31      | 298          | \$287.00 | 7   | 15             |
| 43           | \$94.00  | 4   | 31      | 305          | \$251.00 | 7   | 38             |
| 44           | \$168.00 | 6   | 38      | 307          | \$108.00 | 4   | 34             |
| 46           | \$222.00 | 7   | 38      | 308          | \$99.00  | 2   | 30             |
| 48           | \$222.00 | 6   | 38      | 309          | \$274.00 | 8   | 38             |



| <b>STOCK NUMBER</b> | <b>PRICE</b> | <b>WT.</b> | <b>PAGE</b>  | <b>STOCK NUMBER</b> | <b>PRICE</b> | <b>WT.</b> | <b>PAGE</b> |
|---------------------|--------------|------------|--------------|---------------------|--------------|------------|-------------|
| 314                 | \$127.00     | 3          | 33           | 431                 | \$124.00     | 4          | 32          |
| 320                 | \$211.00     | 11         | 45           | 432                 | \$163.00     | 4          | 32          |
| 322                 | \$227.00     | 6          | 39           | 433                 | \$492.00     | 6          | 29          |
| 323                 | \$231.00     | 9          | 41           | 435A                | \$350.00     | 16         | 78, 124     |
| 323A                | \$231.00     | 10         | 41           | 436A                | \$349.00     | 14         | 77, 124     |
| 324                 | \$142.00     | 3          | 33, 126      | 442B                | \$214.00     | 11         | 67          |
| 326                 | \$185.00     | 8          | 50, 119      | 442C                | \$214.00     | 11         | 67, 116     |
| 332                 | \$281.00     | 9          | 38, 129      | 443B                | \$222.00     | 12         | 67          |
| 335                 | \$193.00     | 3          | 28, 119      | 446A                | \$336.00     | 9          | 57          |
| 341                 | \$357.00     | 9          | 39           | 447                 | \$172.00     | 5          | 33          |
| 342                 | \$188.00     | 5          | 31, 118      | 452                 | \$370.00     | 12         | 46          |
| 345                 | \$163.00     | 10         | 50           | 452A                | \$371.00     | 11         | 46          |
| 345A                | \$163.00     | 10         | 49           | 454A                | \$346.00     | 19         | 69          |
| 346                 | \$208.00     | 7          | 49           | 458                 | \$205.00     | 7          | 19          |
| 347                 | \$269.00     | 10         | 42           | 459A                | \$218.00     | 9          | 19          |
| 348                 | \$332.00     | 13         | 42           | 460                 | \$279.00     | 11         | 20          |
| 348A                | \$345.00     | 13         | 42           | 462                 | \$114.00     | 3          | 30          |
| 349                 | \$182.00     | 3          | 28, 101      | 464                 | \$240.00     | 5          | 21, 113     |
| 350                 | \$166.00     | 3          | 33           | 466                 | \$263.00     | 11         | 43, 132     |
| 351                 | \$194.00     | 6          | 36           | 467A                | \$286.00     | 12         | 47, 130     |
| 356                 | \$162.00     | 5          | 33           | 469                 | \$405.00     | 10         | 48, 115     |
| 357                 | \$195.00     | 3          | 28, 119      | 472                 | \$248.00     | 9          | 38          |
| 359                 | \$127.00     | 4          | 33, 103      | 474A                | \$307.00     | 14         | 76          |
| 360                 | \$298.00     | 10         | 55           | 482                 | \$439.00     | 20         | 65          |
| 362                 | \$280.00     | 11         | 46           | 483A                | \$380.00     | 19         | 71          |
| 363                 | \$292.00     | 7          | 39           | 484                 | \$240.00     | 5          | 38, 113     |
| 364                 | \$247.00     | 8          | 39           | 485                 | \$340.00     | 6          | 52, 131     |
| 369                 | \$208.00     | 4          | 30           | 486A                | \$347.00     | 21         | 89          |
| 370                 | \$96.00      | 2          | 30           | 492                 | \$193.00     | 8          | 53, 128     |
| 371                 | \$365.00     | 6          | 29           | 493A                | \$283.00     | 10         | 113         |
| 372                 | \$407.00     | 10         | 43, 127      | 494B                | \$248.00     | 10         | 57          |
| 373                 | \$466.00     | 11         | 43, 127      | 495B                | \$255.00     | 11         | 57          |
| 374                 | \$352.00     | 6          | 29           | 496                 | \$101.00     | 3          | 32, 120     |
| 377                 | \$127.00     | 5          | 33, 108      | 509                 | \$93.00      | 2          | 32, 120     |
| 378                 | \$142.00     | 3          | 33           | 510                 | \$96.00      | 2          | 32, 120     |
| 379                 | \$236.00     | 9          | 41           | 512A                | \$222.00     | 4          | 22, 119     |
| 380                 | \$331.00     | 10         | 55           | 513A                | \$311.00     | 10         | 99          |
| 381                 | \$250.00     | 10         | 46           | 515                 | \$291.00     | 9          | 54, 106     |
| 382                 | \$367.00     | 9          | 43           | 534                 | \$113.00     | 4          | 31          |
| 382A                | \$367.00     | 9          | 46           | 535                 | \$113.00     | 4          | 31          |
| 383                 | \$159.00     | 4          | 19           | 537                 | \$268.00     | 10         | 99          |
| 385                 | \$189.00     | 11         | 51           | 540                 | \$68.00      | 2          | 30          |
| 389                 | \$194.00     | 12         | 41           | 541                 | \$88.00      | 3          | 30, 120     |
| 389A                | \$199.00     | 9          | 41           | 543                 | \$228.00     | 6          | 39, 106     |
| 390                 | \$261.00     | 12         | 54           | 546                 | \$370.00     | 11         | 46          |
| 391                 | \$261.00     | 12         | 54           | 553                 | \$258.00     | 4          | 28          |
| 393                 | \$237.00     | 9          | 41           | 554A                | \$311.00     | 11         | 79          |
| 393A                | \$243.00     | 11         | 41           | 559                 | \$271.00     | 10         | 51          |
| 394                 | \$351.00     | 9          | 38, 129      | 562                 | \$125.00     | 4          | 105         |
| 396                 | \$87.00      | 4          | 31, 106, 115 | 563                 | \$176.00     | 4          | 105         |
| 398                 | \$87.00      | 4          | 31           | 566A                | \$283.00     | 15         | 60          |
| 399A                | \$301.00     | 14         | 108          | 570                 | \$298.00     | 5          | 28, 98      |
| 400                 | \$142.00     | 4          | 32, 119      | 571                 | \$296.00     | 5          | 28, 98      |
| 407                 | \$289.00     | 10         | 39           | 572A                | \$113.00     | 3          | 31, 109     |
| 408                 | \$243.00     | 5          | 19, 22       | 573A                | \$117.00     | 5          | 31, 109     |
| 414                 | \$225.00     | 4          | 19           | 574                 | \$108.00     | 3          | 31, 109     |
| 415                 | \$274.00     | 8          | 48           | 575                 | \$113.00     | 4          | 31, 109     |
| 418                 | \$172.00     | 6          | 36           | 577                 | \$196.00     | 6          | 21, 22, 122 |
| 419                 | \$168.00     | 5          | 36           | 579                 | \$158.00     | 4          | 29, 98      |
| 420                 | \$251.00     | 7          | 39           | 580                 | \$165.00     | 5          | 29, 98      |
| 429                 | \$231.00     | 11         | 51           | 582                 | \$246.00     | 3          | 21, 97, 110 |

# Index

| STOCK NUMBER | PRICE    | WT. | PAGE         | STOCK NUMBER | PRICE    | WT. | PAGE    |
|--------------|----------|-----|--------------|--------------|----------|-----|---------|
| 584          | \$293.00 | 8   | 49, 103      | 690          | \$325.00 | 10  | 110     |
| 585          | \$293.00 | 10  | 50, 103      | 691          | \$233.00 | 14  | 118     |
| 591          | \$232.00 | 9   | 42           | 692          | \$95.00  | 3   | 32, 120 |
| 593          | \$305.00 | 10  | 50           | 693          | \$95.00  | 3   | 32, 120 |
| 594A         | \$346.00 | 19  | 65           | 730A         | \$339.00 | 12  | 59      |
| 595          | \$311.00 | 9   | 53, 125      | 731A         | \$363.00 | 17  | 60      |
| 596          | \$301.00 | 9   | 43, 125      | 732A         | \$384.00 | 28  | 61      |
| 597          | \$147.00 | 4   | 32, 131      | 733A         | \$426.00 | 19  | 61      |
| 598          | \$205.00 | 9   | 49           | 734A         | \$345.00 | 16  | 60      |
| 599          | \$357.00 | 8   | 48, 94, 128  | 735          | \$138.00 | 11  | 76      |
| 604          | \$215.00 | 6   | 40           | 743A         | \$238.00 | 12  | 96      |
| 606          | \$231.00 | 8   | 40           | 744A         | \$227.00 | 13  | 96      |
| 608          | \$244.00 | 8   | 40           | 745          | \$222.00 | 10  | 42, 107 |
| 609          | \$244.00 | 8   | 40           | 747          | \$225.00 | 10  | 43, 107 |
| 610          | \$217.00 | 7   | 40           | 748          | \$228.00 | 9   | 43, 107 |
| 611          | \$217.00 | 7   | 40           | 752A         | \$259.00 | 14  | 66      |
| 612A         | \$228.00 | 8   | 40           | 753A         | \$279.00 | 17  | 66      |
| 613A         | \$228.00 | 8   | 40           | 757          | \$132.00 | 5   | 33      |
| 614          | \$230.00 | 9   | 40           | 767A         | \$429.00 | 19  | 60      |
| 615          | \$230.00 | 9   | 40           | 768A         | \$455.00 | 18  | 61      |
| 616          | \$73.00  | 2   | 32           | 769A         | \$481.00 | 24  | 61      |
| 621          | \$179.00 | 5   | 120          | 770          | \$237.00 | 5   | 22, 132 |
| 629A         | \$219.00 | 13  | 79, 123      | 771          | \$211.00 | 5   | 22, 132 |
| 632          | \$80.00  | 2   | 30, 97       | 774          | \$212.00 | 5   | 22, 127 |
| 633          | \$114.00 | 2   | 30, 97       | 775          | \$270.00 | 5   | 22, 127 |
| 634          | \$113.00 | 4   | 33, 97       | 776          | \$231.00 | 5   | 21, 110 |
| 636          | \$76.00  | 2   | 30, 120      | 778          | \$280.00 | 5   | 29, 98  |
| 637          | \$73.00  | 2   | 32, 120      | 781          | \$218.00 | 6   | 38, 113 |
| 638          | \$240.00 | 9   | 46, 112      | 782A         | \$372.00 | 14  | 76      |
| 639A         | \$211.00 | 8   | 112          | 783A         | \$437.00 | 16  | 78      |
| 640          | \$217.00 | 7   | 41           | 785A         | \$347.00 | 16  | 78      |
| 641          | \$332.00 | 10  | 46, 127      | 786A         | \$423.00 | 13  | 77      |
| 642          | \$344.00 | 12  | 47, 128      | 787A         | \$487.00 | 21  | 77      |
| 643          | \$468.00 | 7   | 102          | 788A         | \$297.00 | 15  | 80      |
| 645A         | \$258.00 | 8   | 110          | 789A         | \$340.00 | 16  | 80      |
| 647A         | \$410.00 | 20  | 89           | 790A         | \$350.00 | 19  | 81      |
| 648A         | \$492.00 | 23  | 89           | 791A         | \$403.00 | 22  | 82      |
| 653          | \$322.00 | 5   | 28, 122      | 792A         | \$384.00 | 18  | 78      |
| 655          | \$385.00 | 19  | 100, 132     | 793          | \$351.00 | 7   | 38, 131 |
| 656          | \$183.00 | 4   | 103          | 794A         | \$369.00 | 20  | 124     |
| 657          | \$294.00 | 8   | 103          | 795A         | \$227.00 | 12  | 123     |
| 658          | \$216.00 | 4   | 130          | 796A         | \$246.00 | 13  | 124     |
| 660          | \$321.00 | 5   | 28, 98, 122  | 799          | \$261.00 | 9   | 53, 129 |
| 661A         | \$325.00 | 13  | 63           | 800          | \$297.00 | 13  | 133     |
| 665A         | \$327.00 | 13  | 77           | 807L         | \$371.00 | 16  | 134     |
| 666A         | \$327.00 | 16  | 78           | 815A         | \$398.00 | 17  | 133     |
| 667          | \$251.00 | 9   | 130          | 815V2        | \$371.00 | 18  | 133     |
| 668A         | \$272.00 | 23  | 82           | 889A         | \$352.00 | 14  | 137     |
| 669          | \$376.00 | 9   | 52           | 889V2        | \$324.00 | 16  | 137     |
| 670          | \$437.00 | 10  | 43           | 904L         | \$375.00 | 17  | 133     |
| 670A         | \$354.00 | 10  | 47           | 906L         | \$408.00 | 22  | 134     |
| 671B         | \$137.00 | 5   | 35           | 914L         | \$318.00 | 13  | 89      |
| 672B         | \$137.00 | 5   | 35           | 915L         | \$415.00 | 17  | 89      |
| 673          | \$214.00 | 6   | 22, 110, 122 | 917L         | \$297.00 | 14  | 133     |
| 674          | \$95.00  | 2   | 32, 103      | 919L         | \$321.00 | 13  | 133     |
| 680A         | \$475.00 | 15  | 128          | 920L         | \$334.00 | 14  | 133     |
| 683          | \$92.00  | 3   | 32, 107      | 921L         | \$348.00 | 14  | 134     |
| 684          | \$179.00 | 11  | 51           | 922L         | \$362.00 | 14  | 134     |
| 686          | \$184.00 | 6   | 48, 103      | 924L         | \$412.00 | 19  | 138     |
| 688          | \$143.00 | 3   | 113          | 925AL        | \$412.00 | 18  | 138     |
| 689          | \$206.00 | 8   | 119          | 925L         | \$447.00 | 20  | 138     |

| STOCK NUMBER | PRICE    | WT. | PAGE         | STOCK NUMBER | PRICE    | WT. | PAGE    |
|--------------|----------|-----|--------------|--------------|----------|-----|---------|
| 927AL        | \$421.00 | 17  | 138          | 9405A        | \$366.00 | 18  | 117     |
| 927L         | \$428.00 | 19  | 138          | 9406A        | \$541.00 | 23  | 117     |
| 939L         | \$408.00 | 14  | 92           | 9407         | \$242.00 | 6   | 45      |
| 941L         | \$421.00 | 13  | 92           | 9408         | \$295.00 | 11  | 43      |
| 942          | \$215.00 | 10  | 54, 120      | 9409         | \$324.00 | 6   | 28, 132 |
| 945          | \$325.00 | 9   | 47, 128      | 9411         | \$249.00 | 4   | 19      |
| 948          | \$140.00 | 2   | 31           | 9412         | \$279.00 | 10  | 20      |
| 949          | \$139.00 | 2   | 30           | 9413         | \$217.00 | 4   | 19      |
| 950          | \$244.00 | 9   | 46, 112      | 9419         | \$122.00 | 3   | 33      |
| 951          | \$119.00 | 3   | 34           | 9421V1A      | \$451.00 | 19  | 66      |
| 952          | \$315.00 | 5   | 46, 127      | 9422V1A      | \$515.00 | 21  | 66      |
| 953          | \$321.00 | 11  | 46           | 9428A        | \$651.00 | 20  | 83      |
| 954          | \$315.00 | 9   | 52, 127      | 9430         | \$278.00 | 5   | 21      |
| 955          | \$334.00 | 11  | 47, 128      | 9431A        | \$291.00 | 12  | 66      |
| 959          | \$363.00 | 5   | 21           | 9432A        | \$311.00 | 12  | 66      |
| 960          | \$363.00 | 5   | 21           | 9433A        | \$333.00 | 15  | 66      |
| 961          | \$276.00 | 6   | 21, 105      | 9434A        | \$378.00 | 10  | 66      |
| 964          | \$208.00 | 4   | 29, 116, 128 | 9435V1A      | \$416.00 | 17  | 66, 127 |
| 965          | \$380.00 | 5   | 22           | 9437         | \$240.00 | 4   | 19      |
| 975          | \$243.00 | 6   | 48, 121      | 9438         | \$286.00 | 3   | 22, 122 |
| 978          | \$334.00 | 9   | 55, 126      | 9442         | \$285.00 | 13  | 54      |
| 979          | \$109.00 | 3   | 33           | 9443         | \$141.00 | 5   | 19      |
| 980          | \$144.00 | 4   | 31           | 9444         | \$137.00 | 4   | 22      |
| 981          | \$275.00 | 4   | 35, 126      | 9445         | \$149.00 | 5   | 22      |
| 982          | \$306.00 | 6   | 36           | 9446         | \$266.00 | 4   | 21      |
| 983          | \$96.00  | 1   | 32           | 9447         | \$282.00 | 4   | 22, 127 |
| 985          | \$99.00  | 2   | 30           | 9448         | \$312.00 | 4   | 20      |
| 986          | \$96.00  | 2   | 32           | 9449         | \$118.00 | 3   | 33      |
| 988          | \$324.00 | 4   | 36           | 9450         | \$233.00 | 5   | 36      |
| 989          | \$167.00 | 4   | 22           | 9451A        | \$333.00 | 12  | 89      |
| 990          | \$399.00 | 5   | 31, 121      | 9452A        | \$438.00 | 23  | 89      |
| 991          | \$399.00 | 5   | 31, 121      | 9454         | \$283.00 | 4   | 22      |
| 992A         | \$424.00 | 22  | 109          | 9455         | \$327.00 | 4   | 22      |
| 993          | \$280.00 | 7   | 31, 125      | 9457         | \$402.00 | 5   | 22      |
| 994          | \$232.00 | 5   | 36           | 9458         | \$293.00 | 5   | 21      |
| 995          | \$215.00 | 5   | 36           | 9459         | \$578.00 | 7   | 20      |
| 997          | \$278.00 | 2   | 21           | 945A         | \$325.00 | 9   | 47      |
| 998          | \$297.00 | 3   | 22           | 9460         | \$162.00 | 4   | 19, 20  |
| 999          | \$246.00 | 3   | 22           | 9461         | \$155.00 | 4   | 19      |
| 3325CCW      | \$81.00  | 3   | 31, 75       | 9462         | \$173.00 | 5   | 19      |
| 3325CW       | \$81.00  | 3   | 31, 75       | 9465         | \$397.00 | 7   | 20      |
| 9200         | \$216.00 | 8   | 15           | 9466         | \$366.00 | 7   | 20      |
| 9207F2       | \$176.00 | 3   | 13           | 9467         | \$467.00 | 6   | 20      |
| 9208F2       | \$205.00 | 3   | 13           | 9468         | \$193.00 | 5   | 19      |
| 9209H        | \$270.00 | 4   | 13, 109      | 9470         | \$152.00 | 5   | 19      |
| 9209L        | \$270.00 | 4   | 13, 109      | 9471         | \$235.00 | 4   | 19      |
| 9210H        | \$270.00 | 4   | 13, 109      | 9474         | \$269.00 | 11  | 46      |
| 9210L        | \$270.00 | 4   | 13, 109      | 9475         | \$338.00 | 12  | 43      |
| 9211         | \$211.00 | 3   | 13, 17, 111  | 9476A        | \$317.00 | 13  | 47      |
| 9212         | \$176.00 | 2   | 13           | 9477         | \$549.00 | 8   | 20      |
| 9213         | \$205.00 | 2   | 13           | 9478         | \$379.00 | 6   | 20      |
| 9214H        | \$315.00 | 3   | 13, 109      | 9483         | \$244.00 | 6   | 19      |
| 9214L        | \$315.00 | 3   | 13, 109      | 9484         | \$372.00 | 6   | 116     |
| 9215H        | \$357.00 | 5   | 13, 109      | 9485         | \$423.00 | 8   | 116     |
| 9215L        | \$357.00 | 5   | 13, 109      | 9486         | \$324.00 | 4   | 20      |
| 9216H        | \$357.00 | 5   | 13, 109      | 9487         | \$275.00 | 5   | 34, 126 |
| 9216L        | \$357.00 | 5   | 13, 109      | 9491         | \$362.00 | 11  | 20      |
| 9336         | \$236.00 | 6   | 35           | 9492         | \$184.00 | 5   | 19      |
| 9400         | \$317.00 | 6   | 33, 118      | 9493         | \$198.00 | 5   | 19      |
| 9401         | \$184.00 | 6   | 48, 98       | 9495         | \$221.00 | 6   | 21      |
| 9403         | \$287.00 | 10  | 51, 116      | 9496         | \$354.00 | 7   | 21, 116 |

# Index

| STOCK NUMBER | PRICE    | WT. | PAGE    | STOCK NUMBER | PRICE    | WT. | PAGE         |
|--------------|----------|-----|---------|--------------|----------|-----|--------------|
| 9523         | \$170.00 | 4   | 32, 125 | 9670         | \$177.00 | 9   | 41           |
| 9525         | \$450.00 | 5   | 29, 132 | 9671         | \$246.00 | 10  | 42           |
| 9526         | \$436.00 | 6   | 29, 132 | 9672         | \$214.00 | 9   | 41           |
| 9600A        | \$437.00 | 19  | 65      | 9673         | \$183.00 | 9   | 45           |
| 9605A        | \$456.00 | 18  | 71      | 9674         | \$232.00 | 9   | 45           |
| 9608         | \$321.00 | 8   | 52, 127 | 9675         | \$262.00 | 11  | 42           |
| 9614         | \$256.00 | 10  | 43      | 9676         | \$288.00 | 11  | 45           |
| 9615         | \$217.00 | 8   | 41      | 9677         | \$300.00 | 7   | 45           |
| 9616         | \$246.00 | 9   | 50      | 9678         | \$312.00 | 8   | 45           |
| 9617         | \$236.00 | 6   | 48      | 9681         | \$271.00 | 11  | 62           |
| 9618A        | \$331.00 | 20  | 95      | 9682         | \$279.00 | 11  | 62           |
| 9619         | \$377.00 | 6   | 21, 102 | 9685         | \$299.00 | 13  | 62           |
| 9620         | \$367.00 | 6   | 21, 102 | 9687         | \$310.00 | 15  | 63           |
| 9621         | \$375.00 | 6   | 21, 103 | 9688         | \$315.00 | 13  | 63           |
| 9622         | \$393.00 | 6   | 21, 102 | 9689         | \$169.00 | 10  | 42           |
| 9623         | \$173.00 | 4   | 120     | 9690         | \$179.00 | 9   | 51           |
| 9625         | \$236.00 | 6   | 31, 98  | 9694         | \$179.00 | 5   | 48           |
| 9626         | \$236.00 | 6   | 31, 98  | 9695         | \$176.00 | 11  | 51           |
| 9627         | \$171.00 | 5   | 32, 114 | 9696         | \$180.00 | 11  | 51           |
| 9628         | \$171.00 | 6   | 32, 114 | 9699         | \$217.00 | 9   | 67           |
| 9629         | \$178.00 | 4   | 32, 114 | 969A         | \$537.00 | 19  | 89, 112, 125 |
| 9630         | \$178.00 | 4   | 32, 114 | 9700         | \$229.00 | 13  | 67           |
| 9631         | \$153.00 | 4   | 31, 114 | 9701         | \$169.00 | 12  | 50           |
| 9632         | \$153.00 | 5   | 31, 114 | 9703         | \$219.00 | 8   | 49           |
| 9633         | \$225.00 | 4   | 31, 114 | 9704         | \$217.00 | 11  | 67           |
| 9634         | \$225.00 | 4   | 31, 114 | 9705         | \$205.00 | 10  | 67           |
| 9635A        | \$322.00 | 12  | 62      | 9706         | \$182.00 | 9   | 49           |
| 9636         | \$311.00 | 13  | 45      | 9708         | \$219.00 | 11  | 52           |
| 9637         | \$315.00 | 13  | 45      | 9709         | \$211.00 | 9   | 52           |
| 9638         | \$267.00 | 9   | 50      | 970A         | \$328.00 | 18  | 89, 125      |
| 9639         | \$251.00 | 9   | 50      | 9710         | \$223.00 | 8   | 52           |
| 9640         | \$280.00 | 10  | 50      | 9711         | \$215.00 | 9   | 52           |
| 9641         | \$231.00 | 9   | 53      | 9712         | \$232.00 | 10  | 53           |
| 9642         | \$222.00 | 12  | 53      | 9713         | \$219.00 | 10  | 53           |
| 9643         | \$278.00 | 8   | 52      | 9714         | \$241.00 | 12  | 53           |
| 9644         | \$241.00 | 8   | 53      | 9715         | \$228.00 | 10  | 53           |
| 9645         | \$241.00 | 10  | 67      | 9716         | \$258.00 | 14  | 54           |
| 9646         | \$181.00 | 8   | 116     | 9717         | \$245.00 | 12  | 54           |
| 9647         | \$227.00 | 11  | 66      | 9718         | \$262.00 | 12  | 54           |
| 9648         | \$307.00 | 15  | 108     | 9719         | \$248.00 | 12  | 54           |
| 9649         | \$155.00 | 7   | 48, 97  | 9720A        | \$119.00 | 5   | 31, 109      |
| 9650         | \$246.00 | 10  | 99      | 9721         | \$124.00 | 5   | 37, 109      |
| 9651         | \$288.00 | 12  | 128     | 9722         | \$126.00 | 10  | 56           |
| 9652         | \$230.00 | 13  | 46      | 9723         | \$141.00 | 12  | 56           |
| 9653         | \$198.00 | 4   | 35      | 9724         | \$139.00 | 11  | 56           |
| 9654         | \$205.00 | 4   | 35      | AR2024       | \$220.00 | 13  | 136          |
| 9655         | \$205.00 | 3   | 35      | AR2034       | \$241.00 | 15  | 136          |
| 9656         | \$183.00 | 5   | 35      | AR2054       | \$262.00 | 17  | 133          |
| 9657         | \$183.00 | 5   | 35      | ARB2014L     | \$284.00 | 14  | 133          |
| 9658         | \$183.00 | 4   | 35      | ARB2014L2    | \$280.00 | 14  | 133          |
| 9659         | \$186.00 | 8   | 35      | ARB2016M     | \$330.00 | 23  | 133          |
| 9660         | \$227.00 | 5   | 35      | ARB2016SLV1  | \$335.00 | 18  | 133          |
| 9661         | \$227.00 | 5   | 35      | ARB2016SV1   | \$347.00 | 19  | 133          |
| 9662         | \$231.00 | 5   | 35      | ARB2024L1    | \$351.00 | 25  | 138          |
| 9663         | \$263.00 | 4   | 35      | ARB2024L2    | \$343.00 | 24  | 138          |
| 9664         | \$231.00 | 5   | 35      | ARB2024L3    | \$297.00 | 16  | 133          |
| 9665         | \$242.00 | 5   | 35      | ARB2024L4    | \$288.00 | 20  | 133          |
| 9666         | \$249.00 | 11  | 40      | ARB2024M     | \$344.00 | 20  | 133          |
| 9667         | \$262.00 | 12  | 40      | ARB2024ML    | \$295.00 | 17  | 133          |
| 9668         | \$254.00 | 15  | 40      | ARB2026SLV1  | \$319.00 | 19  | 133          |
| 9669         | \$267.00 | 10  | 40      | ARB2026SV1   | \$331.00 | 19  | 133          |

| STOCK NUMBER | PRICE    | WT. | PAGE     | STOCK NUMBER | PRICE      | WT. | PAGE |
|--------------|----------|-----|----------|--------------|------------|-----|------|
| ARB2034L1    | \$350.00 | 29  | 138      | B583         | \$538.00   | 37  | 192  |
| ARB2034L2    | \$312.00 | 18  | 134      | B584         | \$488.00   | 31  | 192  |
| ARB2034L3    | \$343.00 | 29  | 138      | B585         | \$512.00   | 35  | 192  |
| ARB2034L4    | \$330.00 | 24  | 134      | B586         | \$575.00   | 39  | 192  |
| ARB2034L5    | \$343.00 |     | 134      | B587         | \$481.00   | 24  | 192  |
| ARB2034L6    | \$321.00 | 18  | 134      | B588         | \$392.00   | 27  | 142  |
| ARB2034M     | \$352.00 | 27  | 134      | B589         | \$423.00   | 30  | 142  |
| ARB2034SV1   | \$344.00 | 24  | 134      | B590         | \$304.00   | 20  | 141  |
| ARB2036S     | \$375.00 | 28  | 134      | B592         | \$621.00   | 28  | 192  |
| ARB2036SL    | \$362.00 | 28  | 134      | B593         | \$392.00   | 24  | 142  |
| ARB2054L1    | \$393.00 | 32  | 138      | B594         | \$383.00   | 24  | 142  |
| ARB2054L2    | \$390.00 | 24  | 138      | B595         | \$531.00   |     | 192  |
| ARB2054L3    | \$337.00 | 24  | 138      | B596         | \$468.00   |     | 192  |
| ARB2054L4    | \$328.00 | 23  | 138      | B597         | \$630.00   |     | 192  |
| ARS2020L     | \$276.00 | 14  | 133      | B598         | \$497.00   |     | 192  |
| ARS2050DV1   | \$352.00 | 24  | 135      | B599         | \$579.00   |     | 192  |
| B116         | \$984.00 | 57  | 198      | B606         | \$227.00   | 21  | 146  |
| B120         | \$246.00 | 23  | 198      | B606DC       | \$237.00   | 20  | 146  |
| B121         | \$275.00 | 24  | 198      | B620         | \$283.00   | 24  | 146  |
| B122         | \$315.00 | 26  | 198      | B621         | \$350.00   | 25  | 149  |
| B123         | \$410.00 | 33  | 198      | B622         | \$294.00   | 27  | 146  |
| B124         | \$512.00 | 32  | 198      | B625         | \$328.00   | 27  | 208  |
| B125         | \$695.00 | 40  | 198      | B638         | \$360.00   | 30  | 199  |
| B126         | \$253.00 | 22  | 198      | B642         | \$378.00   | 27  | 142  |
| B127         | \$282.00 | 22  | 198      | B652         | \$344.00   | 24  | 145  |
| B128         | \$321.00 | 25  | 198      | B653         | \$400.00   | 33  | 199  |
| B129         | \$428.00 | 32  | 198      | B654         | \$400.00   | 32  | 199  |
| B130         | \$520.00 | 29  | 198      | B657         | \$328.00   | 29  | 199  |
| B131         | \$704.00 | 40  | 198      | B658         | \$375.00   | 21  | 148  |
| B171         | \$299.00 | 18  | 141      | B659         | \$417.00   | 29  | 148  |
| B172         | \$273.00 | 18  | 143      | B662         | \$403.00   | 22  | 208  |
| B176         | \$604.00 | 25  | 181      | B663         | \$403.00   | 25  | 208  |
| B177         | \$705.00 | 34  | 144, 181 | B664         | \$390.00   | 30  | 149  |
| B177L        | \$685.00 | 36  | 144, 181 | B666         | \$284.00   | 20  | 190  |
| B178         | \$828.00 | 35  | 144, 181 | B667         | \$412.00   | 26  | 208  |
| B179         | \$952.00 | 46  | 181      | B668         | \$412.00   | 24  | 208  |
| B180         | \$960.00 | 52  | 181      | B671         | \$429.00   | 27  | 144  |
| B182         | \$978.00 | 42  | 181      | B672         | \$384.00   | 26  | 145  |
| B183         | \$299.00 | 19  | 148      | B674         | \$480.00   | 33  | 149  |
| B220         | \$284.00 | 22  | 190      | B679         | \$417.00   | 40  | 148  |
| B221         | \$287.00 | 29  | 190      | B685         | \$353.00   | 18  | 182  |
| B222         | \$338.00 | 31  | 190      | B695         | \$500.00   | 32  | 149  |
| B236         | \$592.00 | 46  | 206      | B696         | \$636.00   | 36  | 149  |
| B237         | \$492.00 | 22  | 206      | B697         | \$747.00   | 40  | 149  |
| B238         | \$567.00 | 41  | 206      | B698         | \$535.00   | 32  | 148  |
| B381         | \$423.00 | 27  | 182      | B699         | \$535.00   | 49  | 148  |
| B382         | \$994.00 | 48  | 148, 181 | B701         | \$412.00   | 28  | 142  |
| B383         | \$476.00 | 30  | 182      | B702         | \$449.00   | 29  | 144  |
| B384         | \$761.00 | 50  | 182      | B703         | \$449.00   | 30  | 142  |
| B385         | \$504.00 | 37  | 182      | B722L        | \$535.00   | 37  | 142  |
| B386         | \$732.00 | 47  | 182      | B734         | \$606.00   | 39  | 144  |
| B387         | \$932.00 | 53  | 182      | B735         | \$1,024.00 | 34  | 144  |
| B412         | \$339.00 | 22  | 149      | B753         | \$499.00   | 32  | 145  |
| B416         | \$269.00 | 19  | 145      | B762         | \$612.00   | 35  | 149  |
| B417         | \$363.00 | 24  | 148      | B764         | \$619.00   | 35  | 145  |
| B418         | \$363.00 | 24  | 148      | B765         | \$508.00   | 38  | 146  |
| B420         | \$327.00 | 24  | 148      | B779         | \$449.00   | 28  | 142  |
| B472         | \$215.00 | 18  | 146      | B793         | \$485.00   | 34  | 147  |
| B513         | \$292.00 | 21  | 145      | B794         | \$597.00   | 34  | 147  |
| B519         | \$359.00 | 25  | 147      | B795         | \$466.00   | 32  | 199  |
| B582         | \$477.00 | 36  | 192      | B796         | \$473.00   | 36  | 199  |

# Index

| STOCK NUMBER | PRICE      | WT. | PAGE     | STOCK NUMBER | PRICE      | WT. | PAGE |
|--------------|------------|-----|----------|--------------|------------|-----|------|
| B799         | \$523.00   | 35  | 142      | B2858        | \$435.00   | 35  | 203  |
| B808         | \$596.00   | 39  | 199      | B2859        | \$435.00   | 36  | 203  |
| B809         | \$605.00   | 40  | 199      | B2973        | \$428.00   | 28  | 200  |
| B813         | \$721.00   | 45  | 182      | B2973T       | \$716.00   |     | 193  |
| B817         | \$695.00   | 40  | 199      | B2975        | \$448.00   | 32  | 200  |
| B818         | \$704.00   | 40  | 199      | B2975T       | \$735.00   |     | 193  |
| B835         | \$491.00   | 37  | 198      | B2979        | \$637.00   | 36  | 200  |
| B836         | \$520.00   | 37  | 198      | B2979T       | \$924.00   |     | 193  |
| B837         | \$897.00   | 34  | 142      | B2980        | \$426.00   | 31  | 204  |
| B845         | \$312.00   | 20  | 203      | B2980T       | \$727.00   | 30  | 193  |
| B849         | \$439.00   | 32  | 203      | B2981        | \$426.00   | 32  | 204  |
| B855         | \$439.00   | 33  | 203      | B2981T       | \$727.00   | 33  | 193  |
| B860         | \$725.00   | 36  | 145, 181 | B2982        | \$450.00   | 34  | 204  |
| B861         | \$790.00   | 43  | 148, 181 | B2982T       | \$751.00   | 36  | 193  |
| B867         | \$886.00   | 36  | 181      | B2983        | \$524.00   | 38  | 204  |
| B868         | \$1,010.00 | 48  | 181      | B2983T       | \$825.00   | 43  | 193  |
| B869         | \$615.00   | 50  | 181      | B2984        | \$657.00   | 37  | 204  |
| B870         | \$599.00   | 25  | 145, 181 | B2984T       | \$957.00   | 43  | 193  |
| B871         | \$637.00   | 33  | 148, 181 | B2987        | \$716.00   |     | 204  |
| B888         | \$367.00   | 28  | 148, 183 | B6411        | \$189.00   | 9   | 49   |
| B889         | \$426.00   | 26  | 148, 183 | B6415        | \$231.00   | 11  | 51   |
| B890         | \$487.00   | 38  | 148, 183 | B6507        | \$243.00   | 11  | 53   |
| B891         | \$612.00   | 21  | 148, 183 | B6507V1      | \$243.00   | 9   | 53   |
| B892         | \$738.00   | 42  | 148, 183 | B6520        | \$261.00   | 11  | 54   |
| B966         | \$728.00   | 41  | 200      | B6520V1      | \$261.00   | 12  | 54   |
| B966T        | \$1,015.00 | 43  | 193      | BD1106       | \$383.00   | 20  | 71   |
| B969         | \$537.00   | 35  | 200      | BDH1024      | \$352.00   | 14  | 67   |
| B970         | \$440.00   | 24  | 200      | BDH1036      | \$337.00   | 15  | 68   |
| B971         | \$450.00   | 26  | 200      | BDH1054      | \$412.00   | 19  | 68   |
| B972         | \$454.00   | 25  | 200      | BDH1076      | \$486.00   | 19  | 68   |
| B973         | \$428.00   | 26  | 200      | BDH1106      | \$474.00   | 22  | 71   |
| B974         | \$468.00   | 32  | 200      | BDL1106      | \$378.00   | 21  | 71   |
| B976         | \$585.00   | 32  | 200      | BF1032       | \$339.00   | 16  | 141  |
| B977         | \$508.00   | 33  | 200      | BF1052       | \$344.00   | 17  | 141  |
| B978         | \$762.00   | 36  | 200      | BF1052V1     | \$344.00   | 18  | 141  |
| B985         | \$621.00   | 37  | 204      | BF1072       | \$375.00   | 20  | 142  |
| B1000        | \$880.00   | 48  | 209      | BF1102       | \$454.00   | 23  | 142  |
| B2232        | \$364.00   | 26  | 206      | BF2006L      | \$296.00   | 16  | 133  |
| B2233        | \$410.00   | 29  | 206      | BF2008       | \$527.00   | 23  | 133  |
| B2234        | \$452.00   | 34  | 206      | BF20086V1    | \$289.00   | 17  | 133  |
| B2235        | \$453.00   | 38  | 206      | BF2024       | \$283.00   | 14  | 133  |
| B2242        | \$431.00   | 36  | 206      | BF2034       | \$301.00   | 15  | 134  |
| B227SE       | \$253.00   | 24  | 198      | BF2034B      | \$235.00   | 16  | 134  |
| B228SE       | \$282.00   | 26  | 198      | BF2054       | \$360.00   | 18  | 135  |
| B229SE       | \$321.00   | 25  | 198      | BF2054V1     | \$360.00   | 16  | 135  |
| B230SE       | \$428.00   | 34  | 198      | BF2056D      | \$374.00   | 30  | 135  |
| B231SE       | \$520.00   | 29  | 198      | BG128A       | \$589.00   | 26  | 195  |
| B2661        | \$344.00   | 28  | 203      | BG129A       | \$726.00   | 35  | 195  |
| B2748        | \$535.00   | 33  | 203      | BG130A       | \$842.00   | 32  | 195  |
| B2840        | \$535.00   | 31  | 203      | BG131A       | \$1,138.00 | 39  | 195  |
| B2841        | \$371.00   | 31  | 203      | BG2844A      | \$1,072.00 | 40  | 195  |
| B2841V1      | \$371.00   |     | 203      | BG748A       | \$866.00   | 33  | 195  |
| B2842        | \$477.00   | 35  | 203      | BG848A       | \$640.00   | 29  | 195  |
| B2843        | \$578.00   | 37  | 203      | BG853A       | \$562.00   | 28  | 195  |
| B2844        | \$662.00   | 37  | 203      | BG854A       | \$640.00   | 29  | 195  |
| B2846        | \$258.00   | 23  | 203      | BG855A       | \$738.00   | 31  | 195  |
| B2847        | \$295.00   |     | 203      | BGF2014L     | \$346.00   | 16  | 138  |
| B2848        | \$342.00   |     | 203      | BK1052       | \$349.00   | 18  | 141  |
| B2852        | \$246.00   | 21  | 203      | BK1054       | \$407.00   | 21  | 141  |
| B2853        | \$282.00   | 25  | 203      | BK1072       | \$375.00   | 21  | 142  |
| B2854        | \$326.00   | 29  | 203      | BK1102       | \$454.00   | 24  | 142  |



| <b>STOCK NUMBER</b> | <b>PRICE</b> | <b>WT.</b> | <b>PAGE</b> | <b>STOCK NUMBER</b> | <b>PRICE</b> | <b>WT.</b> | <b>PAGE</b> |
|---------------------|--------------|------------|-------------|---------------------|--------------|------------|-------------|
| BK3054V1            | \$456.00     | 22         | 150         | C033                | \$838.00     | 27         | 90          |
| BK3074              | \$503.00     | 22         | 150         | C034                | \$1,106.00   | 45         | 90          |
| BK3102              | \$487.00     | 22         | 150         | C035                | \$1,215.00   | 45         | 90          |
| BK3202L             | \$602.00     | 36         | 151         | C036                | \$1,215.00   | 53         | 90          |
| BL6407              | \$186.00     | 9          | 101         | C039A               | \$399.00     | 21         | 184         |
| BL6408              | \$176.00     | 9          | 101         | C042A               | \$267.00     | 19         | 184         |
| BL6409              | \$170.00     | 9          | 101         | C043A               | \$311.00     | 20         | 184         |
| BL6410              | \$176.00     | 9          | 49          | C044A               | \$382.00     | 24         | 184         |
| BL6411              | \$166.00     | 9          | 49          | C045A               | \$289.00     | 16         | 184         |
| BL6412              | \$163.00     | 9          | 50          | C046A               | \$311.00     | 18         | 184         |
| BL6413              | \$203.00     | 9          | 51          | C047A               | \$352.00     | 23         | 184         |
| BL6414              | \$189.00     | 11         | 51          | C048                | \$511.00     | 33         | 184         |
| BL6416              | \$271.00     | 11         | 51          | C051                | \$398.00     | 18         | 146         |
| BL6419              | \$188.00     | 9          | 50          | C052                | \$426.00     | 23         | 146         |
| BL6420              | \$179.00     | 9          | 50          | C053                | \$543.00     | 27         | 146         |
| BL6423              | \$208.00     | 7          | 49          | C054                | \$658.00     | 27         | 146         |
| BL6424              | \$208.00     | 7          | 49          | C055                | \$693.00     | 35         | 146         |
| BL6425              | \$235.00     | 9          | 48          | C058                | \$1,151.00   | 47         | 144         |
| BL6505              | \$241.00     | 10         | 53          | C059A               | \$308.00     | 16         | 184         |
| BL6505V1            | \$241.00     | 10         | 53          | C060                | \$386.00     | 31         | 142         |
| BL6519              | \$261.00     | 11         | 54          | C061                | \$551.00     | 26         | 148         |
| BL6519V1            | \$261.00     | 8          | 54          | C062                | \$634.00     | 31         | 148         |
| BL6530              | \$254.00     | 11         | 54          | C081                | \$581.00     | 42         | 84          |
| BL6531              | \$261.00     | 11         | 51          | C01316              | \$43.00      | 2          | 10          |
| BL6532              | \$251.00     | 9          | 48          | C01322              | \$105.00     | 1          | 10          |
| BL6533              | \$212.00     | 10         | 50          | C01323              | \$46.00      | 2          | 10          |
| BL6534              | \$271.00     | 12         | 51          | C01326              | \$60.00      | 1          | 10          |
| BL6541              | \$168.00     | 9          | 53          | C01329              | \$68.00      | 3          | 10          |
| BLR6401             | \$207.00     | 12         | 51          | C01330              | \$62.00      | 1          | 10          |
| BLR6402             | \$152.00     | 8          | 49          | C01332              | \$72.00      | 2          | 11          |
| BLR6403             | \$176.00     | 8          | 49          | C01333              | \$59.00      | 0          | 11          |
| BLR6404             | \$183.00     | 11         | 51          | C01334              | \$47.00      | 2          | 11          |
| BLR6405             | \$178.00     | 5          | 48          | C01336              | \$50.00      | 1          | 11          |
| BLR6406             | \$171.00     | 9          | 48          | C01337              | \$70.00      | 1          | 11          |
| BLR6407             | \$171.00     | 7          | 48          | C01375              | \$38.00      | 3          | 10          |
| BLR640S             | \$172.00     | 10         | 51          | C01550              | \$36.00      | 1          | 9           |
| BN23V1              | \$209.00     | 13         | 205         | C01551              | \$48.00      | 3          | 9           |
| BN24V1              | \$219.00     | 18         | 205         | C01552              | \$43.00      | 2          | 9           |
| BN25V1              | \$241.00     | 18         | 205         | C01553              | \$41.00      | 3          | 9           |
| BN34V1              | \$383.00     | 27         | 205         | C01554              | \$47.00      | 0          | 9           |
| BN35SS              | \$282.00     | 24         | 205         | C01555              | \$38.00      | 1          | 9           |
| BN35V1              | \$282.00     | 20         | 205         | C01574              | \$85.00      | 2          | 11          |
| BN36                | \$270.00     | 23         | 205         | C01575              | \$40.00      | 3          | 9           |
| BN37V1              | \$286.00     | 25         | 205         | C01611              | \$63.00      | 2          | 9           |
| BN40SS              | \$341.00     | 34         | 205         | C01670              | \$38.00      | 2          | 10          |
| BN50V1              | \$398.00     | 27         | 205         | C01671              | \$29.00      | 2          | 10          |
| BN51                | \$426.00     | 29         | 205         | C01672              | \$47.00      | 2          | 10          |
| BN61                | \$486.00     | 30         | 205         | C01673              | \$51.00      | 2          | 10          |
| BN62                | \$531.00     | 32         | 205         | C01675              | \$61.00      | 2          | 10          |
| BN63                | \$544.00     | 33         | 205         | C01677              | \$42.00      | 2          | 9           |
| BR052000            | \$55.00      | 2          | 9           | C01678              | \$40.00      | 1          | 10          |
| BR0675              | \$56.00      | 2          | 9           | C01679              | \$41.00      | 2          | 10          |
| BR3202L             | \$719.00     | 35         | 160         | C01680              | \$51.00      | 2          | 10          |
| BV35V1              | \$280.00     | 22         | 205         | C01682              | \$47.00      | 2          | 10          |
| BV90                | \$243.00     | 16         | 208         | C01683              | \$43.00      | 1          | 10          |
| BV91                | \$243.00     | 16         | 208         | C01684              | \$52.00      | 1          | 10          |
| C024                | \$658.00     | 37         | 106         | C01691              | \$63.00      | 1          | 9           |
| C026                | \$515.00     | 24         | 149         | C01692              | \$63.00      | 1          | 9           |
| C027                | \$593.00     | 29         | 149         | C01700              | \$46.00      | 2          | 10          |
| C031                | \$1,106.00   | 40         | 90          | C102L               | \$408.00     | 15         | 143         |
| C032A               | \$851.00     | 16         | 90          | C105L               | \$398.00     | 15         | 141         |

# Index

| STOCK NUMBER | PRICE    | WT. | PAGE     | STOCK NUMBER | PRICE      | WT. | PAGE |
|--------------|----------|-----|----------|--------------|------------|-----|------|
| C109L        | \$389.00 | 15  | 143      | C331         | \$384.00   | 30  | 191  |
| C150L        | \$408.00 | 22  | 149      | C332         | \$470.00   | 32  | 191  |
| C151L        | \$426.00 | 18  | 149      | C333         | \$535.00   | 36  | 191  |
| C153L        | \$410.00 | 19  | 147      | C335         | \$515.00   | 27  | 145  |
| C155         | \$447.00 | 25  | 147      | C337         | \$562.00   | 28  | 186  |
| C157L        | \$371.00 | 14  | 143      | C338         | \$595.00   | 36  | 186  |
| C187         | \$463.00 | 27  | 143      | C339         | \$641.00   | 35  | 186  |
| C196L        | \$379.00 | 15  | 141      | C340         | \$736.00   | 45  | 191  |
| C198L        | \$403.00 | 20  | 149      | C341         | \$906.00   | 38  | 142  |
| C199         | \$379.00 | 17  | 143      | C342         | \$808.00   | 38  | 142  |
| C202         | \$556.00 | 25  | 143      | C343         | \$808.00   | 45  | 142  |
| C208         | \$508.00 | 27  | 147      | C344         | \$840.00   | 35  | 148  |
| C209         | \$648.00 | 32  | 147      | C345         | \$368.00   |     | 191  |
| C210         | \$883.00 | 32  | 144, 181 | C346         | \$420.00   |     | 191  |
| C213         | \$976.00 | 47  | 148, 181 | C347         | \$489.00   |     | 191  |
| C215         | \$931.00 | 42  | 145, 181 | C348         | \$556.00   |     | 191  |
| C218         | \$820.00 | 49  | 144, 181 | C349         | \$765.00   |     | 191  |
| C220         | \$430.00 | 27  | 149      | C403         | \$375.00   | 23  | 141  |
| C222         | \$369.00 | 25  | 143      | C412V1       | \$385.00   | 26  | 141  |
| C223         | \$435.00 | 26  | 149      | C420         | \$737.00   | 33  | 143  |
| C224         | \$379.00 | 21  | 143      | C426V1       | \$448.00   | 34  | 142  |
| C225         | \$457.00 | 26  | 149      | C435         | \$838.00   | 30  | 138  |
| C226         | \$393.00 | 22  | 141      | C445         | \$624.00   | 33  | 145  |
| C231         | \$591.00 | 29  | 141      | C446         | \$599.00   | 28  | 145  |
| C233         | \$644.00 | 29  | 92       | C448         | \$856.00   | 29  | 138  |
| C235         | \$396.00 | 25  | 145      | C455         | \$362.00   | 22  | 141  |
| C238         | \$897.00 | 43  | 142      | C457         | \$354.00   | 21  | 143  |
| C239         | \$864.00 | 42  | 142      | C460         | \$540.00   | 25  | 143  |
| C240         | \$487.00 | 24  | 92       | C461         | \$550.00   | 27  | 141  |
| C241         | \$487.00 | 24  | 92       | C471         | \$991.00   | 37  | 138  |
| C242         | \$487.00 | 25  | 92       | C471A        | \$919.00   | 37  | 138  |
| C243         | \$646.00 | 21  | 92       | C472         | \$1,009.00 | 36  | 138  |
| C244         | \$644.00 | 26  | 92       | C472A        | \$933.00   | 31  | 138  |
| C245         | \$721.00 | 35  | 92       | C472V1       | \$918.00   | 36  | 138  |
| C246         | \$721.00 | 33  | 92       | C490         | \$834.00   | 41  | 84   |
| C247         | \$721.00 | 22  | 92       | C506         | \$741.00   | 40  | 145  |
| C248         | \$791.00 | 42  | 92       | C507         | \$798.00   | 43  | 147  |
| C249         | \$507.00 | 28  | 92       | C508         | \$774.00   | 40  | 145  |
| C250         | \$535.00 | 32  | 92       | C512V1       | \$551.00   | 31  | 84   |
| C308         | \$467.00 | 24  | 143      | C513V1       | \$546.00   | 30  | 84   |
| C309         | \$474.00 | 24  | 141      | C520         | \$620.00   | 33  | 149  |
| C310         | \$318.00 | 27  | 187      | C521         | \$529.00   | 29  | 149  |
| C310C        | \$352.00 | 29  | 187      | C523V1       | \$509.00   | 32  | 142  |
| C311         | \$353.00 | 28  | 187      | C524         | \$511.00   | 31  | 142  |
| C311C        | \$388.00 | 28  | 187      | C526         | \$650.00   | 33  | 143  |
| C312         | \$417.00 | 32  | 187      | C527         | \$659.00   | 34  | 142  |
| C312C        | \$453.00 | 34  | 187      | C530         | \$644.00   | 35  | 145  |
| C313         | \$460.00 | 36  | 187      | C532         | \$758.00   | 31  | 138  |
| C313C        | \$494.00 | 38  | 187      | C533         | \$982.00   | 33  | 138  |
| C314         | \$564.00 | 28  | 187      | C534V1       | \$919.00   | 32  | 138  |
| C314C        | \$598.00 | 44  | 187      | C535         | \$684.00   | 30  | 138  |
| C315         | \$487.00 | 25  | 145      | C536         | \$707.00   | 29  | 138  |
| C316         | \$580.00 | 29  | 145      | C537         | \$982.00   | 33  | 138  |
| C317V1       | \$564.00 | 32  | 191      | C538         | \$989.00   | 36  | 138  |
| C319         | \$650.00 | 48  | 187      | C580         | \$403.00   | 30  | 185  |
| C320         | \$426.00 | 24  | 143      | C581         | \$493.00   | 35  | 185  |
| C322         | \$785.00 | 35  | 149      | C582         | \$554.00   | 39  | 185  |
| C323         | \$515.00 | 25  | 143      | C585         | \$638.00   | 32  | 88   |
| C324         | \$847.00 | 33  | 143      | C586         | \$749.00   | 30  | 88   |
| C325         | \$391.00 | 25  | 143      | C588         | \$422.00   | 33  | 185  |
| C330         | \$351.00 | 27  | 191      | C593         | \$504.00   | 38  | 185  |

| STOCK NUMBER | PRICE    | WT. | PAGE     | STOCK NUMBER | PRICE      | WT. | PAGE     |
|--------------|----------|-----|----------|--------------|------------|-----|----------|
| C594         | \$475.00 | 38  | 185      | C786         | \$601.00   | 44  | 84       |
| C595         | \$771.00 | 43  | 185      | C802         | \$715.00   | 42  | 149      |
| C596         | \$693.00 | 35  | 185      | C823         | \$540.00   | 26  | 148, 183 |
| C597         | \$693.00 | 35  | 185      | C824         | \$447.00   | 29  | 148, 183 |
| C598         | \$771.00 | 45  | 185      | C825         | \$643.00   | 31  | 148, 183 |
| C607         | \$396.00 | 24  | 141      | C826         | \$527.00   | 19  | 148, 183 |
| C608         | \$389.00 | 22  | 143      | C827         | \$803.00   | 35  | 148, 183 |
| C612         | \$478.00 | 28  | 149      | C828         | \$620.00   | 32  | 148, 183 |
| C613         | \$515.00 | 28  | 149      | C829         | \$1,001.00 | 37  | 148, 183 |
| C620         | \$663.00 | 37  | 149      | C830         | \$671.00   | 25  | 148, 183 |
| C621         | \$641.00 | 41  | 142      | C831         | \$772.00   | 42  | 148, 183 |
| C630         | \$418.00 | 36  | 143      | C832         | \$966.00   | 32  | 148, 183 |
| C634         | \$393.00 | 26  | 141      | C907         | \$529.00   | 27  | 147      |
| C635         | \$496.00 | 26  | 145      | C916         | \$624.00   | 31  | 147      |
| C639         | \$474.00 | 27  | 143      | C926         | \$695.00   | 35  | 147      |
| C645         | \$369.00 | 23  | 143      | CB2024AD     | \$231.00   | 16  | 222      |
| C654         | \$465.00 | 26  | 142      | CB2024ADV1   | \$230.00   |     | 222      |
| C655         | \$476.00 | 25  | 143      | CB2024AV1    | \$195.00   | 12  | 222      |
| C658         | \$488.00 | 25  | 143      | CB2034A      | \$173.00   | 14  | 222      |
| C660V1       | \$643.00 | 36  | 84       | CB2034AD     | \$222.00   | 15  | 222      |
| C661V1       | \$496.00 | 32  | 84       | CB2034ADRB   | \$223.00   |     | 222      |
| C662         | \$792.00 | 32  | 86, 115  | CB2034ADV1   | \$226.00   |     | 222      |
| C663         | \$823.00 | 39  | 86, 118  | CB2034ARB    | \$173.00   |     | 222      |
| C664         | \$430.00 | 25  | 149      | CB2034AV1    | \$173.00   |     | 222      |
| C665         | \$572.00 | 28  | 145      | CB2054AD     | \$272.00   | 18  | 222      |
| C666         | \$461.00 | 28  | 142      | CB2054ADV1   | \$274.00   |     | 222      |
| C669         | \$572.00 | 33  | 149      | CBH2024A     | \$230.00   |     | 222      |
| C671         | \$609.00 | 33  | 149      | CBR216       | \$37.00    | 1   | 9        |
| C678V1       | \$684.00 | 30  | 138      | CK1052       | \$328.00   | 22  | 196      |
| C682         | \$542.00 | 31  | 144      | CK1072       | \$360.00   | 25  | 196      |
| C683         | \$634.00 | 34  | 149      | CK1102       | \$400.00   | 27  | 196      |
| C685         | \$650.00 | 37  | 149      | CP1072L      | \$385.00   | 24  | 182      |
| C686         | \$778.00 | 45  | 149      | CP1102L      | \$428.00   | 26  | 182      |
| C688         | \$634.00 | 39  | 144      | CP1152L      | \$446.00   | 32  | 182      |
| C689         | \$609.00 | 40  | 144      | CP1202L      | \$481.00   | 33  | 182      |
| C690         | \$383.00 | 25  | 141      | CP1302L      | \$563.00   | 33  | 182      |
| C691         | \$453.00 | 27  | 142      | CP1502L      | \$721.00   | 44  | 182      |
| C692         | \$593.00 | 32  | 142      | CP1502LV1    | \$529.00   | 38  | 182      |
| C693         | \$734.00 | 44  | 149      | CS89         | \$354.00   | 11  | 44       |
| C695         | \$504.00 | 35  | 144      | CS1056       | \$530.00   | 14  | 70       |
| C720A        | \$374.00 | 14  | 88       | CS1106       | \$630.00   | 20  | 70       |
| C721A        | \$395.00 | 15  | 88       | CSL1056      | \$530.00   | 14  | 70       |
| C722A        | \$389.00 | 16  | 88       | CSL1106      | \$630.00   | 20  | 70       |
| C723A        | \$407.00 | 20  | 88       | CT1052       | \$328.00   | 23  | 196      |
| C723V1A      | \$426.00 | 20  | 88       | CT1072       | \$360.00   | 25  | 196      |
| C724A        | \$472.00 | 16  | 88       | CT1102       | \$400.00   | 27  | 196      |
| C741V1       | \$888.00 | 34  | 138      | D002         | \$1,086.00 | 23  | 227      |
| C742V1       | \$906.00 | 34  | 138      | D003         | \$1,497.00 | 33  | 227      |
| C766         | \$618.00 | 30  | 142      | D004         | \$1,874.00 | 45  | 227      |
| C770         | \$569.00 | 35  | 84       | D005         | \$1,053.00 | 20  | 227      |
| C770V1       | \$522.00 | 35  | 84       | D006         | \$456.00   | 9   | 227      |
| C771         | \$650.00 | 46  | 84       | D007         | \$456.00   | 11  | 227      |
| C774         | \$558.00 | 38  | 144      | D008         | \$921.00   | 13  | 227      |
| C775         | \$661.00 | 35  | 144, 181 | D009         | \$901.00   | 13  | 227      |
| C776         | \$791.00 | 36  | 145, 181 | D014         | \$606.00   | 11  | 229, 251 |
| C777         | \$852.00 | 44  | 148, 181 | D016         | \$655.00   | 13  | 229, 251 |
| C782         | \$505.00 | 39  | 185      | D019         | \$562.00   | 11  | 229, 251 |
| C782RB       | \$505.00 |     | 185      | D020         | \$599.00   | 11  | 229, 251 |
| C783         | \$745.00 | 44  | 184      | D021         | \$667.00   | 12  | 229, 251 |
| C784         | \$576.00 | 36  | 84       | D027         | \$552.00   | 11  | 229, 251 |
| C785         | \$522.00 | 40  | 84       | D029         | \$674.00   | 13  | 229, 251 |

# Index

| STOCK NUMBER | PRICE      | WT. | PAGE     | STOCK NUMBER | PRICE      | WT. | PAGE    |
|--------------|------------|-----|----------|--------------|------------|-----|---------|
| D030         | \$733.00   | 17  | 229, 252 | D753         | \$2,357.00 | 34  | 230     |
| D031         | \$774.00   | 19  | 229, 252 | D757         | \$2,569.00 | 38  | 230     |
| D032         | \$808.00   | 23  | 229, 252 | D759         | \$4,268.00 | 83  | 230     |
| D033         | \$873.00   | 29  | 229, 252 | D760         | \$4,855.00 | 100 | 230     |
| D034         | \$1,058.00 | 29  | 229, 252 | D904         | \$908.00   | 21  | 230     |
| D035         | \$1,273.00 | 36  | 229, 252 | D906         | \$976.00   | 26  | 230     |
| D036         | \$562.00   | 11  | 229, 251 | D908         | \$1,062.00 | 33  | 230     |
| D038         | \$693.00   | 12  | 229, 251 | D909         | \$1,261.00 | 32  | 230     |
| D039         | \$756.00   | 17  | 229, 252 | D910         | \$1,303.00 | 45  | 230     |
| D040         | \$798.00   | 20  | 229, 252 | D912         | \$1,917.00 | 51  | 230     |
| D041         | \$830.00   | 24  | 229, 252 | D0002        | \$153.00   | 11  | 72      |
| D042         | \$894.00   | 31  | 229, 252 | D0004        | \$159.00   | 14  | 72      |
| D043         | \$1,081.00 | 30  | 229, 252 | D0006        | \$192.00   | 15  | 72      |
| D044         | \$1,294.00 | 36  | 229, 252 | D0008        | \$217.00   | 18  | 72      |
| D052         | \$808.00   | 18  | 229, 252 | D1026        | \$154.00   | 11  | 72      |
| D053         | \$774.00   | 24  | 229, 252 | D1036        | \$158.00   | 13  | 72      |
| D054         | \$1,058.00 | 31  | 229, 252 | D1056        | \$191.00   | 15  | 72      |
| D055         | \$1,273.00 | 36  | 229, 252 | D1076        | \$221.00   | 18  | 72      |
| D059         | \$925.00   | 25  | 229, 252 | DB4405       | \$215.00   | 12  | 45      |
| D060         | \$830.00   | 23  | 229, 252 | DB4505       | \$285.00   | 12  | 47      |
| D061         | \$1,081.00 | 32  | 229, 252 | DB6407       | \$251.00   | 11  | 45      |
| D062         | \$1,294.00 | 36  | 229, 252 | DB64072      | \$242.00   | 11  | 45      |
| D066         | \$798.00   | 24  | 214, 252 | DB6502V1     | \$251.00   | 14  | 46      |
| D068         | \$873.00   | 30  | 229, 252 | DB6503       | \$285.00   | 11  | 47      |
| D070         | \$2,337.00 | 71  | 229, 252 | DB6504       | \$337.00   | 12  | 47      |
| D071         | \$2,870.00 | 77  | 229, 252 | DB6525       | \$345.00   | 14  | 47      |
| D072         | \$3,514.00 | 132 | 229, 252 | DB6525V1     | \$349.00   | 15  | 47      |
| D073         | \$1,081.00 | 35  | 229, 252 | DBL4404      | \$242.00   | 12  | 45      |
| D074         | \$2,328.00 | 75  | 229, 252 | DBL4410      | \$229.00   | 12  | 45      |
| D075         | \$2,408.00 | 72  | 229, 252 | DBL4411      | \$233.00   | 11  | 45      |
| D076         | \$1,081.00 | 30  | 229, 252 | DBL4412      | \$221.00   | 12  | 45      |
| D080         | \$2,408.00 | 72  | 229, 252 | DBL4500V1    | \$247.00   | 15  | 46      |
| D081         | \$2,941.00 | 79  | 229, 252 | DBL6406      | \$278.00   | 11  | 45      |
| D082         | \$3,579.00 | 106 | 229, 252 | DBL64062     | \$268.00   | 11  | 45      |
| D090         | \$566.00   | 15  | 227      | DBL6409      | \$190.00   | 11  | 45      |
| D092         | \$774.00   | 20  | 229, 252 | DBL6409NB    | \$177.00   | 12  | 42      |
| D201         | \$1,215.00 | 30  | 192, 255 | DBL6501      | \$280.00   | 14  | 46      |
| D202         | \$1,672.00 | 36  | 192, 255 | DBL6501V1    | \$281.00   | 12  | 46      |
| D203         | \$901.00   | 15  | 226      | DBL6503      | \$291.00   | 14  | 47      |
| D204         | \$999.00   | 20  | 226      | DBL6524      | \$348.00   | 15  | 47      |
| D205         | \$1,088.00 | 27  | 226      | DBL6524V1    | \$352.00   | 15  | 47      |
| D206         | \$1,088.00 | 23  | 226      | DC4001       | \$257.00   | 13  | 43      |
| D207         | \$1,319.00 | 28  | 226      | DC4522       | \$256.00   | 11  | 43      |
| D208         | \$1,319.00 | 30  | 226      | DCA4522      | \$217.00   | 13  | 43, 107 |
| D209         | \$1,528.00 | 35  | 226      | DCL4421      | \$236.00   | 11  | 42      |
| D210         | \$1,528.00 | 38  | 226      | DCL4422      | \$222.00   | 11  | 42      |
| D211         | \$1,254.00 | 32  | 192, 255 | DCL4423      | \$271.00   | 12  | 45      |
| D212         | \$1,709.00 | 37  | 192, 255 | DL001        | \$150.00   | 12  | 72      |
| D303         | \$2,050.00 | 25  | 228      | DL003        | \$154.00   | 12  | 72      |
| D306         | \$1,928.00 | 54  | 228      | DL005        | \$188.00   | 16  | 72      |
| D307         | \$2,482.00 | 38  | 228      | DL007        | \$197.00   | 19  | 72      |
| D308         | \$2,339.00 | 40  | 228      | DL1026       | \$150.00   | 11  | 72      |
| D312         | \$3,432.00 | 44  | 228      | DL1036       | \$152.00   | 13  | 72      |
| D552         | \$1,044.00 | 27  | 230      | DL1056       | \$183.00   | 15  | 72      |
| D708         | \$1,062.00 | 33  | 230      | DL1076       | \$219.00   | 19  | 72      |
| D710         | \$1,303.00 | 47  | 230      | DLR10236     | \$185.00   | 14  | 69      |
| D711         | \$1,856.00 | 46  | 230      | DLR1026      | \$179.00   | 11  | 69      |
| D712         | \$1,917.00 | 54  | 230      | DLR1026S     | \$147.00   | 11  | 67      |
| D750         | \$1,884.00 | 22  | 230      | DSB1016      | \$275.00   | 15  | 62      |
| D751         | \$1,993.00 | 12  | 230      | DSB1016H     | \$282.00   | 15  | 62      |
| D752         | \$2,106.00 | 28  | 230      | DSB1016HR    | \$388.00   | 11  | 62      |

| STOCK NUMBER | PRICE      | WT. | PAGE     | STOCK NUMBER | PRICE      | WT. | PAGE     |
|--------------|------------|-----|----------|--------------|------------|-----|----------|
| DSB1016R     | \$383.00   | 14  | 62       | E451         | \$2,121.00 | 243 | 162, 189 |
| DSB1024      | \$313.00   | 15  | 63       | E452         | \$2,628.00 | 263 | 163      |
| DSB1024H     | \$320.00   | 13  | 63       | E454V1       | \$1,599.00 | 164 | 162      |
| DSB1026      | \$295.00   | 15  | 63       | E456         | \$1,951.00 | 207 | 163      |
| DSB1026H     | \$301.00   | 14  | 63       | E482E        | \$1,651.00 | 288 | 218      |
| DSB1034H     | \$304.00   | 15  | 64       | E483E        | \$1,651.00 | 198 | 218      |
| DSB1036H     | \$332.00   | 18  | 64       | E488E        | \$1,993.00 | 198 | 218      |
| DSB1056H     | \$370.00   | 18  | 65       | E489E        | \$1,993.00 | 198 | 218      |
| E104L        | \$493.00   | 40  | 160      | E491E        | \$2,018.00 | 198 | 218      |
| E118E        | \$563.00   |     | 217      | E492E        | \$2,018.00 | 218 | 218      |
| E124         | \$530.00   | 46  | 169      | E494         | \$2,350.00 | 243 | 163      |
| E125         | \$562.00   | 45  | 169      | E495         | \$2,862.00 | 261 | 163      |
| E125L        | \$562.00   | 44  | 169      | E496         | \$2,055.00 | 240 | 162      |
| E127         | \$530.00   | 45  | 169      | E497         | \$2,406.00 | 300 | 162      |
| E157E        | \$452.00   |     | 217      | E511         | \$2,625.00 | 380 | 162      |
| E159E        | \$530.00   | 45  | 217      | E513         | \$2,749.00 | 160 | 163      |
| E172E        | \$530.00   |     | 217      | E514         | \$2,749.00 | 308 | 163, 189 |
| E175         | \$403.00   | 41  | 217      | E515V2       | \$3,391.00 | 301 | 163      |
| E179         | \$534.00   | 39  | 217      | E516V2       | \$3,391.00 | 365 | 163, 189 |
| E180         | \$727.00   | 30  | 225      | E545         | \$2,318.00 | 244 | 163      |
| E180L        | \$727.00   | 30  | 225      | E547         | \$5,586.00 | 282 | 163      |
| E181L        | \$663.00   | 26  | 225      | E584         | \$3,399.00 | 270 | 163      |
| E182         | \$550.00   | 22  | 225      | E585         | \$4,395.00 | 369 | 164      |
| E182L        | \$550.00   | 24  | 225      | E586M        | \$2,926.00 | 133 | 162      |
| E183L        | \$531.00   | 20  | 225      | E607R        | \$3,817.00 | 394 | 164      |
| E185         | \$856.00   | 28  | 225      | E608R        | \$3,470.00 | 367 | 164      |
| E186         | \$927.00   | 30  | 225      | E923         | \$708.00   | 85  | 161      |
| E187         | \$952.00   | 24  | 225      | E924         | \$744.00   | 85  | 161      |
| E202M        | \$598.00   | 63  | 161      | E925         | \$1,098.00 | 116 | 162      |
| E203M        | \$649.00   | 73  | 161      | E926         | \$1,461.00 | 124 | 162      |
| E204         | \$907.00   | 104 | 161      | E927         | \$2,121.00 | 222 | 162      |
| E205         | \$1,086.00 | 101 | 162      | E928         | \$2,628.00 | 254 | 163      |
| E206         | \$889.00   | 77  | 160      | E929         | \$2,749.00 | 290 | 163      |
| E207V1       | \$1,075.00 | 91  | 160      | E930V1       | \$3,550.00 | 303 | 163      |
| E216V1       | \$708.00   | 76  | 161      | E1008        | \$519.00   | 50  | 160      |
| E217V1       | \$708.00   | 74  | 161      | E1010        | \$583.00   | 36  | 160      |
| E218         | \$744.00   | 72  | 161      | E1026L       | \$702.00   | 41  | 155      |
| E219         | \$744.00   | 75  | 161, 189 | E1028        | \$847.00   | 37  | 155      |
| E237         | \$2,204.00 | 87  | 225      | E2004        | \$885.00   | 72  | 158      |
| E297         | \$630.00   | 56  | 218      | E2005        | \$1,196.00 | 94  | 158      |
| E302M        | \$904.00   | 90  | 162      | E2006        | \$962.00   | 80  | 158      |
| E303         | \$1,085.00 | 108 | 162      | E2008        | \$1,509.00 | 90  | 158      |
| E316         | \$1,098.00 | 107 | 162      | EC1054A      | \$527.00   | 24  | 147      |
| E317         | \$1,098.00 | 123 | 162, 189 | EC1054AV1    | \$527.00   | 29  | 147      |
| E325         | \$1,085.00 | 108 | 162      | EC1074A      | \$628.00   | 32  | 147      |
| E331         | \$1,461.00 | 124 | 162      | EC1074AL     | \$628.00   | 47  | 147      |
| E368E        | \$1,030.00 | 126 | 218      | ECM27CU      | \$1,318.00 | 41  | 194      |
| E369E        | \$1,030.00 | 129 | 218      | ECM27SQU     | \$1,309.00 | 41  | 194      |
| E371ME       | \$1,050.00 | 129 | 218      | EL2002       | \$139.00   | 10  | 91       |
| E372ME       | \$1,050.00 | 213 | 218      | EL2002V1     | \$132.00   | 10  | 91       |
| E374E        | \$1,223.00 | 143 | 218      | EL2004V1     | \$166.00   | 9   | 91       |
| E375E        | \$1,223.00 | 143 | 218      | EL2005       | \$145.00   | 10  | 91       |
| E377E        | \$1,359.00 | 156 | 218      | EL2012       | \$176.00   | 13  | 91       |
| E378E        | \$1,359.00 | 214 | 218      | EL2014V1     | \$169.00   | 11  | 91       |
| E392         | \$1,631.00 | 130 | 162      | EL2022       | \$182.00   | 18  | 91       |
| E393         | \$2,161.00 | 149 | 162      | EL2024       | \$229.00   | 16  | 91       |
| E394         | \$1,261.00 | 147 | 161      | EL2034       | \$211.00   | 28  | 91       |
| E395         | \$1,577.00 | 120 | 161      | F246         | \$513.00   | 28  | 138      |
| E397         | \$1,461.00 | 131 | 162, 189 | F252         | \$513.00   | 24  | 140      |
| E407         | \$2,628.00 | 267 | 163, 189 | F260         | \$797.00   | 23  | 90       |
| E450         | \$2,121.00 | 220 | 162      | F261         | \$1,025.00 | 24  | 90       |

# Index

| STOCK NUMBER | PRICE      | WT. | PAGE | STOCK NUMBER | PRICE    | WT. | PAGE    |
|--------------|------------|-----|------|--------------|----------|-----|---------|
| F262         | \$528.00   | 23  | 140  | FB1076V1     | \$555.00 | 27  | 86      |
| F263         | \$660.00   | 28  | 140  | FB1106       | \$671.00 | 30  | 86      |
| F264         | \$694.00   | 23  | 90   | FB1106TE     | \$658.00 | 31  | 86      |
| F265         | \$694.00   | 27  | 90   | FB1156TE     | \$610.00 | 22  | 86      |
| F266         | \$570.00   | 25  | 90   | FB3056       | \$463.00 | 21  | 86      |
| F267         | \$591.00   | 22  | 90   | FB3154       | \$525.00 | 26  | 101     |
| F268         | \$797.00   | 20  | 90   | FC1046F      | \$341.00 | 15  | 83      |
| F269         | \$1,025.00 | 17  | 90   | FC1066AF     | \$384.00 | 19  | 83      |
| F270         | \$382.00   | 19  | 140  | FC1066F      | \$384.00 | 18  | 83      |
| F271         | \$425.00   | 18  | 140  | FC1086AF     | \$535.00 | 26  | 83      |
| F273         | \$547.00   | 25  | 140  | FC1086F      | \$535.00 | 31  | 83      |
| F274         | \$916.00   | 31  | 140  | FC1106F      | \$567.00 | 32  | 83      |
| F276         | \$957.00   | 34  | 140  | FC1156       | \$651.00 | 31  | 83      |
| F340         | \$494.00   | 24  | 133  | FC3056F      | \$502.00 | 19  | 83      |
| F341         | \$604.00   | 27  | 133  | FC3076F      | \$577.00 | 24  | 83      |
| F344V1       | \$286.00   | 17  | 134  | FC3106F      | \$747.00 | 32  | 83      |
| F352         | \$433.00   | 28  | 135  | FC3107       | \$757.00 | 29  | 83      |
| F352V1       | \$398.00   | 25  | 135  | FC3156F      | \$817.00 | 31  | 83      |
| F353         | \$599.00   | 33  | 135  | FD1024       | \$278.00 | 12  | 69      |
| F387         | \$525.00   | 26  | 138  | FD1026       | \$180.00 | 12  | 69      |
| F390         | \$430.00   | 24  | 138  | FD1034       | \$301.00 | 13  | 69      |
| F391         | \$533.00   | 32  | 138  | FD1036       | \$190.00 | 14  | 69      |
| F392         | \$235.00   | 13  | 140  | FD1054       | \$327.00 | 17  | 70      |
| F393         | \$407.00   | 17  | 140  | FD1056       | \$225.00 | 18  | 70      |
| F393L        | \$407.00   | 22  | 140  | FD1074       | \$354.00 | 19  | 71      |
| F394         | \$247.00   | 15  | 140  | FD1076       | \$308.00 | 18  | 71      |
| F395         | \$463.00   | 24  | 140  | FD6000       | \$196.00 | 16  | 74, 124 |
| F396L        | \$389.00   | 16  | 140  | FD6000A      | \$196.00 | 16  | 73      |
| F500L        | \$333.00   | 21  | 185  | FD6001       | \$237.00 | 16  | 74      |
| F501         | \$325.00   | 24  | 185  | FD6001A      | \$237.00 | 16  | 73      |
| F502         | \$274.00   | 25  | 185  | FDL1016      | \$163.00 | 11  | 69      |
| F505         | \$403.00   | 24  | 135  | FDL1024      | \$271.00 | 12  | 69      |
| F661         | \$391.00   | 25  | 137  | FDL1026      | \$178.00 | 11  | 69      |
| F670         | \$377.00   | 25  | 135  | FDL1034      | \$288.00 | 13  | 69      |
| F670A        | \$347.00   | 25  | 135  | FDL1036      | \$185.00 | 14  | 69      |
| F671         | \$377.00   | 24  | 135  | FDL1054      | \$321.00 | 19  | 70      |
| F674         | \$501.00   | 26  | 138  | FDL1056      | \$220.00 | 17  | 70      |
| F675         | \$379.00   | 24  | 135  | FDL1074      | \$398.00 | 19  | 71      |
| F678         | \$383.00   | 24  | 135  | FDL1076      | \$268.00 | 19  | 71      |
| F680         | \$488.00   | 29  | 135  | FDL1076V1    | \$291.00 | 19  | 71      |
| F681         | \$483.00   | 31  | 135  | FDL6001      | \$192.00 | 16  | 74      |
| F683         | \$371.00   | 25  | 184  | FDL6001A     | \$192.00 | 16  | 73, 124 |
| F684         | \$487.00   | 27  | 184  | FDL6002      | \$230.00 | 16  | 74      |
| F1018S       | \$253.00   | 12  | 76   | FDL6002A     | \$230.00 | 16  | 73      |
| F1026        | \$305.00   | 12  | 76   | FE1008SF     | \$214.00 | 11  | 79      |
| F1026S       | \$212.00   | 12  | 76   | FE1008SV1    | \$255.00 | 10  | 79      |
| F1028S       | \$264.00   | 14  | 76   | FE1016SF     | \$156.00 | 11  | 79      |
| F1036        | \$318.00   | 15  | 77   | FE1018SF     | \$233.00 | 11  | 79      |
| F1036S       | \$224.00   | 14  | 77   | FE1026       | \$339.00 | 13  | 80      |
| F1038        | \$337.00   | 18  | 77   | FE1026SF     | \$160.00 | 13  | 79      |
| F1056        | \$351.00   | 17  | 77   | FE1028SF     | \$246.00 | 15  | 79      |
| F1056S       | \$244.00   | 16  | 77   | FE1036       | \$354.00 | 16  | 80      |
| F1058        | \$416.00   | 17  | 77   | FE1036SF     | \$171.00 | 16  | 80      |
| F1076        | \$423.00   | 18  | 78   | FE1038SF     | \$286.00 | 15  | 80      |
| F1076A       | \$433.00   | 19  | 78   | FE1056       | \$392.00 | 18  | 81      |
| F1076S       | \$276.00   | 18  | 78   | FE1056SF     | \$190.00 | 18  | 80      |
| F1076SV1     | \$254.00   | 21  | 78   | FE1058SF     | \$343.00 | 15  | 80      |
| F1106        | \$422.00   | 22  | 78   | FE1076       | \$276.00 | 21  | 82      |
| FB1056       | \$412.00   | 22  | 86   | FE1076SF     | \$231.00 | 18  | 81      |
| FB1056TE     | \$416.00   | 21  | 86   | FE6000F      | \$182.00 | 16  | 73, 124 |
| FB1076       | \$567.00   | 27  | 86   | FE6001F      | \$246.00 | 17  | 73      |



| <b>STOCK NUMBER</b> | <b>PRICE</b> | <b>WT.</b> | <b>PAGE</b> | <b>STOCK NUMBER</b> | <b>PRICE</b> | <b>WT.</b> | <b>PAGE</b> |
|---------------------|--------------|------------|-------------|---------------------|--------------|------------|-------------|
| FE6002F             | \$231.00     | 17         | 73          | FSE1056SV1          | \$167.00     | 18         | 80          |
| FE6003F             | \$292.00     | 20         | 73          | FSE1058SF           | \$318.00     | 17         | 80          |
| FE6004F             | \$268.00     | 21         | 73          | FSE1076SF           | \$214.00     | 18         | 82          |
| FEH001              | \$322.00     | 18         | 81          | FSE1076SV1          | \$204.00     | 18         | 82          |
| FEH1026SF           | \$294.00     | 13         | 80          | FSE6000             | \$172.00     | 16         | 74          |
| FEH1028S            | \$299.00     | 14         | 79          | FSP4006             | \$256.00     | 9          | 58          |
| FEH1036SF           | \$336.00     | 15         | 80          | FSP4006S            | \$228.00     | 9          | 58          |
| FEH1056D            | \$340.00     | 19         | 81          | FSP4016             | \$272.00     | 10         | 58          |
| FEH1056S            | \$350.00     | 19         | 100         | FSP4016H            | \$278.00     | 9          | 58          |
| FEH1056SF           | \$346.00     | 19         | 81          | FSP4016S            | \$233.00     | 9          | 58          |
| FEH1076             | \$470.00     | 21         | 82          | FSP4026             | \$241.00     | 12         | 58          |
| FEH1076D            | \$389.00     | 21         | 82          | FSP4026H            | \$248.00     | 11         | 58          |
| FEH1076SF           | \$398.00     | 21         | 82          | FSP4026S            | \$235.00     | 12         | 58          |
| FH1024              | \$372.00     | 13         | 76          | FSP4026SH           | \$215.00     | 11         | 58          |
| FH1036              | \$326.00     | 18         | 77          | FY1106V1            | \$522.00     | 32         | 84          |
| FH1038              | \$423.00     | 17         | 77          | FY3106              | \$718.00     | 35         | 85          |
| FH1054              | \$437.00     | 16         | 78          | FY3156              | \$777.00     | 38         | 85          |
| FH1056              | \$422.00     | 20         | 78          | GF2014              | \$214.00     | 11         | 133         |
| FH1056S             | \$309.00     | 20         | 78          | GF2020L             | \$186.00     | 12         | 133         |
| FH1076              | \$474.00     | 20         | 78          | GF2024              | \$175.00     | 13         | 133         |
| FL1038              | \$305.00     | 16         | 77          | GF2024D             | \$279.00     | 14         | 133         |
| FM1026              | \$275.00     | 12         | 66          | GF2031L             | \$234.00     | 12         | 134         |
| FM1036              | \$292.00     | 13         | 66          | GF2034              | \$189.00     | 15         | 134         |
| FM1056              | \$327.00     | 17         | 66          | GF2034D             | \$310.00     | 15         | 134         |
| FM1076              | \$418.00     | 19         | 66          | GF2035              | \$294.00     | 15         | 134         |
| FML1026             | \$259.00     | 14         | 66          | GF2038              | \$274.00     | 14         | 134         |
| FML1036             | \$253.00     | 16         | 66          | GF2054              | \$241.00     | 18         | 135         |
| FML1056             | \$310.00     | 16         | 66          | GF2054D             | \$402.00     | 17         | 135         |
| FML1076V1           | \$413.00     | 20         | 66          | GK2054              | \$333.00     | 17         | 135         |
| FR1076              | \$521.00     | 27         | 86          | GK2074              | \$466.00     | 21         | 135         |
| FR1106              | \$619.00     | 30         | 86          | GK2104DV1           | \$596.00     | 25         | 135         |
| FS1016              | \$235.00     | 10         | 76          | H021                | \$515.00     | 21         | 157         |
| FS1018              | \$271.00     | 12         | 76          | H024                | \$566.00     | 26         | 157         |
| FS1024S             | \$292.00     | 11         | 76          | H025                | \$599.00     | 24         | 157         |
| FS1026              | \$247.00     | 12         | 76          | H026                | \$614.00     | 25         | 157         |
| FS1026S             | \$138.00     | 11         | 76          | H027                | \$618.00     | 28         | 157         |
| FS1028              | \$307.00     | 15         | 76          | H028                | \$632.00     | 28         | 157         |
| FS1036              | \$255.00     | 16         | 77          | H031                | \$592.00     | 23         | 153         |
| FS1036S             | \$133.00     | 14         | 77          | H035                | \$645.00     | 36         | 153         |
| FS1037S             | \$128.00     | 13         | 77          | H041                | \$319.00     | 24         | 190         |
| FS1038              | \$319.00     | 18         | 77          | H042                | \$338.00     | 28         | 190         |
| FS1056              | \$291.00     | 18         | 77          | H043                | \$410.00     | 17         | 157         |
| FS1056S             | \$160.00     | 15         | 77          | H043L               | \$410.00     | 20         | 157         |
| FS1076S             | \$196.00     | 17         | 78          | H044                | \$505.00     | 19         | 157         |
| FSE1008SF           | \$198.00     | 12         | 78          | H044L               | \$505.00     | 20         | 157         |
| FSE1016             | \$227.00     | 11         | 79          | H045A               | \$562.00     | 21         | 157         |
| FSE1016SF           | \$144.00     | 11         | 79          | H046                | \$573.00     | 24         | 157         |
| FSE1016SV1          | \$138.00     | 11         | 79          | H046L               | \$573.00     | 28         | 157         |
| FSE1018SF           | \$216.00     | 12         | 79          | H047L               | \$632.00     | 29         | 157         |
| FSE1024             | \$330.00     | 13         | 80          | H061L               | \$440.00     | 21         | 153         |
| FSE1026             | \$233.00     | 13         | 80          | H062L               | \$511.00     | 27         | 153         |
| FSE1026SF           | \$149.00     | 13         | 79          | H063L               | \$557.00     | 26         | 153         |
| FSE1026SV1          | \$141.00     | 13         | 79          | H064L               | \$592.00     | 33         | 153         |
| FSE1028SF           | \$228.00     | 13         | 79          | H137                | \$296.00     | 16         | 216         |
| FSE1036             | \$281.00     | 16         | 80          | H155                | \$282.00     | 28         | 216         |
| FSE1036SF           | \$158.00     | 16         | 80          | H157V1              | \$402.00     | 20         | 153         |
| FSE1036SV1          | \$151.00     | 17         | 80          | H158L               | \$393.00     | 24         | 157         |
| FSE1038SF           | \$264.00     | 15         | 80          | H159L               | \$440.00     | 21         | 153         |
| FSE1054             | \$377.00     | 18         | 81          | H181L               | \$599.00     | 34         | 160         |
| FSE1056             | \$325.00     | 19         | 81          | H191                | \$330.00     | 17         | 216         |
| FSE1056SF           | \$176.00     | 18         | 81          | H192                | \$354.00     | 19         | 216         |

# Index

| STOCK NUMBER | PRICE    | WT. | PAGE     | STOCK NUMBER | PRICE    | WT. | PAGE     |
|--------------|----------|-----|----------|--------------|----------|-----|----------|
| H193         | \$414.00 | 26  | 216      | H473         | \$352.00 | 19  | 153      |
| H194         | \$468.00 | 30  | 216      | H476         | \$382.00 | 23  | 157      |
| H195         | \$575.00 | 31  | 216      | H477         | \$375.00 | 20  | 157      |
| H196         | \$682.00 | 34  | 216      | H491         | \$337.00 | 21  | 213      |
| H197         | \$783.00 | 39  | 216      | H492         | \$367.00 | 25  | 213      |
| H198         | \$298.00 | 18  | 216      | H505         | \$447.00 | 28  | 168      |
| H201A        | \$357.00 | 15  | 168      | H506         | \$357.00 | 24  | 216      |
| H204         | \$515.00 | 20  | 159      | H508         | \$306.00 | 25  | 157, 216 |
| H205         | \$533.00 | 21  | 168      | H511         | \$349.00 | 27  | 157, 216 |
| H238         | \$339.00 | 17  | 168      | H513         | \$392.00 | 27  | 213      |
| H247         | \$308.00 | 29  | 216      | H514         | \$397.00 | 27  | 213      |
| H248         | \$321.00 | 19  | 216      | H515         | \$424.00 | 26  | 216      |
| H249         | \$634.00 | 28  | 168      | H516         | \$479.00 | 28  | 216      |
| H251         | \$298.00 | 16  | 157, 216 | H517         | \$469.00 | 30  | 168      |
| H254         | \$275.00 | 19  | 157, 216 | H518L        | \$630.00 | 44  | 161      |
| H256L        | \$511.00 | 24  | 153      | H524L        | \$535.00 | 30  | 168      |
| H257         | \$557.00 | 18  | 153      | H525L        | \$535.00 | 0   | 168      |
| H257L        | \$557.00 | 0   | 153      | H526         | \$641.00 | 32  | 159      |
| H258L        | \$519.00 | 25  | 157      | H528         | \$658.00 | 35  | 168      |
| H259         | \$343.00 | 17  | 216      | H530         | \$562.00 | 31  | 169      |
| H261A        | \$386.00 | 17  | 168      | H531         | \$559.00 | 29  | 151      |
| H262L        | \$364.00 | 19  | 159      | H534L        | \$547.00 | 28  | 160      |
| H262V2       | \$345.00 | 21  | 150      | H535L        | \$595.00 | 34  | 169      |
| H263L        | \$401.00 | 22  | 168      | H536L        | \$508.00 | 35  | 151      |
| H264A        | \$409.00 | 17  | 150      | H537         | \$654.00 | 34  | 169      |
| H267         | \$503.00 | 24  | 159      | H538         | \$658.00 | 32  | 151      |
| H268         | \$577.00 | 22  | 168      | H539L        | \$630.00 | 42  | 161      |
| H271         | \$359.00 | 19  | 168      | H563         | \$420.00 | 27  | 153      |
| H273L        | \$414.00 | 22  | 159      | H564         | \$486.00 | 27  | 85       |
| H274V1       | \$472.00 | 24  | 168      | H567         | \$535.00 | 26  | 85       |
| H275V2       | \$358.00 | 28  | 150      | H580L        | \$515.00 | 27  | 168      |
| H276         | \$472.00 | 24  | 168      | H581A        | \$463.00 | 21  | 159      |
| H276L        | \$472.00 | 22  | 168      | H582V2       | \$410.00 | 22  | 150      |
| H279         | \$572.00 | 25  | 159      | H583         | \$404.00 | 24  | 157      |
| H280         | \$634.00 | 26  | 168      | H584         | \$399.00 | 24  | 157      |
| H281         | \$308.00 | 21  | 213      | H585A        | \$517.00 | 21  | 157      |
| H282         | \$318.00 | 22  | 213      | H592         | \$524.00 | 30  | 216      |
| H283         | \$367.00 | 19  | 216      | H593         | \$551.00 | 30  | 216      |
| H284         | \$305.00 | 18  | 157      | H602         | \$423.00 | 24  | 159      |
| H285         | \$305.00 | 19  | 157      | H607         | \$457.00 | 27  | 216      |
| H286         | \$336.00 | 19  | 157      | H609         | \$450.00 | 26  | 157, 216 |
| H288         | \$323.00 | 16  | 153      | H612         | \$593.00 | 32  | 158, 216 |
| H298         | \$367.00 | 23  | 216      | H614L        | \$492.00 | 26  | 159      |
| H299         | \$378.00 | 24  | 216      | H615V2       | \$427.00 | 25  | 150      |
| H358         | \$459.00 | 18  | 157      | H616         | \$505.00 | 31  | 213      |
| H358L        | \$459.00 | 21  | 157      | H617         | \$515.00 | 31  | 213      |
| H377         | \$380.00 | 23  | 159      | H628         | \$636.00 | 31  | 216      |
| H379A        | \$507.00 | 21  | 157      | H629         | \$659.00 | 33  | 216      |
| H428         | \$423.00 | 26  | 216      | H633         | \$462.00 | 28  | 153      |
| H429         | \$434.00 | 27  | 216      | H635         | \$413.00 | 28  | 213      |
| H437         | \$312.00 | 19  | 159      | H636         | \$524.00 | 31  | 213      |
| H438         | \$319.00 | 18  | 157      | H637         | \$635.00 | 37  | 213      |
| H446         | \$309.00 | 20  | 216      | H655V1       | \$698.00 | 22  | 139      |
| H448         | \$410.00 | 30  | 168      | H656V1       | \$698.00 | 22  | 139      |
| H449         | \$401.00 | 24  | 150      | H657v1       | \$763.00 |     | 139      |
| H450         | \$341.00 | 25  | 213      | H658V1       | \$762.00 | 25  | 139      |
| H451         | \$348.00 | 27  | 213      | H661         | \$597.00 | 31  | 216      |
| H461L        | \$531.00 | 33  | 168      | H662         | \$535.00 | 26  | 157      |
| H464         | \$456.00 | 24  | 150      | H663         | \$514.00 | 27  | 157      |
| H467         | \$586.00 | 29  | 159      | H667         | \$558.00 | 34  | 85       |
| H468         | \$645.00 | 31  | 168      | H671         | \$575.00 | 32  | 85       |

| <b>STOCK NUMBER</b> | <b>PRICE</b> | <b>WT.</b> | <b>PAGE</b> | <b>STOCK NUMBER</b> | <b>PRICE</b> | <b>WT.</b> | <b>PAGE</b> |
|---------------------|--------------|------------|-------------|---------------------|--------------|------------|-------------|
| H685                | \$809.00     | 34         | 86          | H931L               | \$622.00     | 35         | 153         |
| H686                | \$752.00     | 32         | 85, 168     | H940                | \$506.00     | 25         | 150         |
| H688L               | \$437.00     | 25         | 168         | H940V1              | \$506.00     | 25         | 150         |
| H696                | \$718.00     | 34         | 85          | H941                | \$558.00     | 28         | 150         |
| H697                | \$777.00     | 39         | 85          | H941L               | \$558.00     | 28         | 150         |
| H698                | \$841.00     | 44         | 85          | H942                | \$570.00     | 29         | 150         |
| H699                | \$615.00     | 44         | 85          | H942L               | \$570.00     | 32         | 150         |
| H703L               | \$679.00     | 44         | 153         | H943V1              | \$630.00     | 31         | 151         |
| H704                | \$575.00     | 36         | 213         | H944                | \$585.00     | 28         | 151         |
| H705                | \$586.00     | 35         | 213         | H946L               | \$550.00     | 25         | 93          |
| H706                | \$706.00     | 30         | 216         | H947L               | \$550.00     | 24         | 93          |
| H707                | \$829.00     | 40         | 216         | H948                | \$623.00     | 25         | 153, 216    |
| H710                | \$636.00     | 30         | 158         | H949                | \$731.00     | 40         | 155         |
| H710L               | \$636.00     |            | 158         | H950                | \$498.00     | 27         | 150         |
| H711                | \$579.00     | 34         | 158         | H951V1              | \$643.00     | 32         | 160         |
| H712                | \$612.00     | 32         | 158         | H952                | \$692.00     | 35         | 151         |
| H713                | \$736.00     | 33         | 216         | H953V1              | \$708.00     | 31         | 160         |
| H714                | \$783.00     | 25         | 216         | H954                | \$782.00     | 37         | 151         |
| H717V1              | \$783.00     | 25         | 139         | H955L               | \$721.00     |            | 161         |
| H718V1              | \$783.00     | 25         | 139         | H956                | \$931.00     | 44         | 161         |
| H733                | \$547.00     | 34         | 216         | H957L               | \$460.00     | 36         | 150         |
| H734                | \$628.00     | 33         | 216         | H958                | \$515.00     | 22         | 150         |
| H736                | \$663.00     | 31         | 158, 216    | H958L               | \$515.00     | 23         | 150         |
| H738                | \$676.00     | 46         | 170         | H959L               | \$465.00     | 26         | 150         |
| H740                | \$696.00     | 37         | 213         | H960                | \$630.00     | 33         | 151         |
| H741                | \$706.00     | 36         | 213         | H960V1              | \$630.00     | 32         | 151         |
| H742                | \$664.00     | 33         | 158         | H961                | \$586.00     | 33         | 85          |
| H743                | \$723.00     | 33         | 158         | H962                | \$717.00     | 32         | 85          |
| H751                | \$528.00     | 31         | 153         | H963                | \$661.00     | 35         | 85          |
| H753                | \$610.00     | 34         | 153         | H964                | \$752.00     | 32         | 86          |
| H755                | \$684.00     | 35         | 209, 213    | H965V1              | \$622.00     | 32         | 160         |
| H756                | \$585.00     | 31         | 160         | H966                | \$424.00     | 28         | 216         |
| H757                | \$788.00     | 35         | 161         | H967                | \$479.00     | 32         | 216         |
| H767                | \$585.00     | 34         | 85          | H968                | \$597.00     | 32         | 216         |
| H768                | \$596.00     | 33         | 86          | H969                | \$706.00     | 35         | 216         |
| H803                | \$696.00     | 39         | 154         | H970                | \$829.00     | 41         | 216         |
| H840                | \$378.00     | 21         | 150         | H977                | \$509.00     | 25         | 85          |
| H841V1              | \$423.00     | 24         | 150         | H978                | \$1,178.00   | 44         | 101         |
| H842V1              | \$476.00     | 27         | 150         | H979                | \$1,579.00   | 53         | 101         |
| H843V1              | \$559.00     | 33         | 151         | H979L               | \$1,579.00   |            | 101         |
| H844                | \$630.00     | 34         | 151         | H980L               | \$1,270.00   | 45         | 101         |
| H845                | \$782.00     | 38         | 151         | H982                | \$515.00     | 22         | 93          |
| H847                | \$931.00     | 44         | 161         | H982V1              | \$515.00     | 49         | 93          |
| H850L               | \$506.00     | 22         | 150         | H983                | \$515.00     | 19         | 93          |
| H851V2              | \$479.00     | 24         | 150         | H983V1              | \$515.00     | 22         | 93          |
| H852L               | \$533.00     | 27         | 150         | H984                | \$550.00     | 20         | 93          |
| H853V2              | \$526.00     | 30         | 151         | H984L               | \$550.00     | 25         | 93          |
| H854L               | \$656.00     | 39         | 151         | H985L               | \$550.00     | 25         | 93          |
| H855L               | \$669.00     | 44         | 151         | H986                | \$648.00     | 26         | 93          |
| H868L               | \$480.00     | 36         | 168         | H986L               | \$648.00     | 28         | 93          |
| H869L               | \$529.00     | 25         | 168         | H987                | \$683.00     | 25         | 93          |
| H880L               | \$496.00     | 23         | 159         | H987L               | \$683.00     |            | 93          |
| H881                | \$550.00     | 22         | 159         | H988                | \$763.00     | 42         | 93          |
| H882L               | \$560.00     | 22         | 159         | H988L               | \$763.00     |            | 93          |
| H883L               | \$570.00     | 27         | 159         | H991L               | \$414.00     | 20         | 159         |
| H884L               | \$634.00     | 29         | 160         | H992L               | \$463.00     | 22         | 159         |
| H885L               | \$643.00     | 29         | 160         | H993L               | \$492.00     | 25         | 159         |
| H886L               | \$708.00     | 37         | 160         | H995                | \$786.00     | 44         | 209         |
| H887L               | \$769.00     | 43         | 161         | H1000               | \$566.00     | 22         | 155, 183    |
| H921L               | \$576.00     | 31         | 153         | H1001               | \$341.00     | 26         | 155, 183    |
| H930L               | \$570.00     | 28         | 157         | H1002L              | \$451.00     | 24         | 155, 183    |

# Index

| STOCK NUMBER | PRICE    | WT. | PAGE     | STOCK NUMBER | PRICE      | WT. | PAGE |
|--------------|----------|-----|----------|--------------|------------|-----|------|
| H1003        | \$595.00 | 28  | 155, 183 | HSQ1152      | \$499.00   | 36  | 211  |
| H1004        | \$361.00 | 24  | 155, 183 | HSQ1202      | \$557.00   | 38  | 211  |
| H1005        | \$508.00 | 28  | 155, 183 | HSQ1302      | \$606.00   | 46  | 211  |
| H1006        | \$648.00 | 30  | 155, 183 | HSQ1502      | \$655.00   | 46  | 211  |
| H1007        | \$428.00 | 26  | 155, 183 | HW2004L      | \$261.00   | 12  | 92   |
| H1008L       | \$552.00 | 27  | 155, 183 | HW20084BL    | \$263.00   | 14  | 92   |
| H1009        | \$669.00 | 31  | 155, 183 | HW20084L     | \$180.00   | 11  | 92   |
| H1010        | \$476.00 | 32  | 155, 183 | HW2014B1L    | \$272.00   | 30  | 92   |
| H1011L       | \$570.00 | 31  | 155, 183 | HW2014BL     | \$272.00   | 15  | 92   |
| H1012        | \$714.00 | 36  | 155, 183 | HW2014L      | \$261.00   | 12  | 92   |
| H1013        | \$592.00 | 32  | 155, 183 | HW2014V1L    | \$276.00   | 12  | 92   |
| H1014L       | \$618.00 | 34  | 155, 183 | HW2024B1L    | \$279.00   | 16  | 92   |
| H1015        | \$679.00 | 36  | 155, 183 | HW2024BL     | \$337.00   | 19  | 92   |
| H1016L       | \$671.00 | 43  | 155, 183 | HW2034BL     | \$350.00   | 17  | 92   |
| H1017        | \$727.00 | 34  | 155, 183 | J504         | \$204.00   | 3   | 27   |
| H1022        | \$643.00 | 35  | 151      | J507         | \$244.00   | 3   | 27   |
| H1022V1      | \$643.00 | 35  | 151      | J510         | \$284.00   | 5   | 27   |
| H1025A       | \$251.00 | 17  | 152      | J513         | \$250.00   | 5   | 27   |
| H1026        | \$324.00 | 15  | 152      | J571         | \$137.00   | 2   | 27   |
| H1027A       | \$289.00 | 17  | 152      | J572         | \$140.00   | 2   | 27   |
| H1028        | \$347.00 | 27  | 152      | J573         | \$261.00   | 2   | 27   |
| H1029        | \$372.00 | 27  | 152      | J591         | \$172.00   | 3   | 27   |
| H1030L       | \$413.00 | 28  | 152      | J592         | \$176.00   | 2   | 27   |
| H1031        | \$424.00 | 27  | 150      | K100         | \$655.00   | 37  | 149  |
| H1031L       | \$424.00 | 30  | 150      | K101         | \$537.00   | 43  | 149  |
| H1032        | \$676.00 | 37  | 169      | K102         | \$420.00   | 38  | 188  |
| H1032L       | \$676.00 | 47  | 169      | K102C        | \$482.00   | 28  | 188  |
| H1034V1      | \$569.00 | 48  | 151      | K103         | \$526.00   | 42  | 188  |
| H1035L       | \$569.00 | 34  | 151      | K103C        | \$589.00   | 42  | 188  |
| H1038E       | \$631.00 |     | 151      | K104         | \$537.00   | 43  | 187  |
| H1039L       | \$656.00 | 50  | 151      | K107         | \$1,099.00 | 46  | 147  |
| H1040        | \$522.00 | 27  | 168      | K108         | \$1,014.00 | 38  | 147  |
| H1041L       | \$400.00 | 21  | 93       | K112         | \$518.00   | 39  | 190  |
| H1042L       | \$423.00 | 21  | 93       | K115         | \$894.00   | 42  | 147  |
| H1043        | \$442.00 | 28  | 93       | K116         | \$518.00   | 44  | 190  |
| H1043L       | \$442.00 | 25  | 93       | K117         | \$483.00   | 34  | 190  |
| H1044        | \$518.00 | 33  | 93       | K118         | \$546.00   | 36  | 190  |
| H1044L       | \$518.00 | 20  | 93       | K119         | \$721.00   | 50  | 187  |
| H1045        | \$566.00 | 36  | 160      | K200         | \$821.00   | 76  | 149  |
| H1045L       | \$566.00 | 25  | 160      | K203         | \$885.00   | 83  | 149  |
| H1046        | \$377.00 | 17  | 93       | K204         | \$876.00   | 78  | 188  |
| H1046L       | \$377.00 | 32  | 93       | K205         | \$1,057.00 | 93  | 188  |
| H1047L       | \$399.00 | 22  | 93       | K205C        | \$1,151.00 | 93  | 188  |
| H1048L       | \$417.00 | 25  | 93       | K208         | \$1,174.00 | 108 | 188  |
| H1049        | \$489.00 | 33  | 93       | K208C        | \$1,268.00 | 108 | 188  |
| H1049V1      | \$489.00 | 31  | 93       | K209         | \$1,438.00 | 89  | 148  |
| H1050A       | \$529.00 | 29  | 85       | K213         | \$821.00   | 72  | 187  |
| H1050RB      | \$529.00 | 29  | 85       | K214         | \$885.00   | 84  | 187  |
| H1051A       | \$579.00 | 38  | 85       | K215         | \$1,153.00 | 102 | 187  |
| H1051RB      | \$579.00 | 38  | 85       | K220         | \$1,011.00 | 84  | 190  |
| H1052A       | \$631.00 | 45  | 85       | K221         | \$1,110.00 | 91  | 190  |
| H1052RB      | \$631.00 | 45  | 85       | K222         | \$1,280.00 | 98  | 149  |
| H1053A       | \$713.00 | 44  | 85       | K223         | \$1,474.00 | 155 | 149  |
| H1053RB      | \$713.00 | 44  | 85       | K236         | \$1,488.00 | 118 | 190  |
| H1054A       | \$752.00 | 47  | 85       | K300         | \$1,377.00 | 147 | 188  |
| H1054RB      | \$752.00 | 47  | 85       | K301         | \$1,636.00 | 147 | 188  |
| H1055A       | \$460.00 |     | 85       | K301C        | \$1,751.00 | 131 | 188  |
| H1056A       | \$508.00 |     | 85       | K302         | \$2,008.00 | 151 | 188  |
| HSQ1052      | \$367.00 | 28  | 211      | K302C        | \$2,124.00 | 146 | 188  |
| HSQ1072      | \$409.00 | 31  | 211      | K302V1       | \$2,008.00 |     | 188  |
| HSQ1102      | \$447.00 | 33  | 211      | K304         | \$1,275.00 | 118 | 149  |

| STOCK NUMBER | PRICE      | WT. | PAGE | STOCK NUMBER | PRICE       | WT. | PAGE    |
|--------------|------------|-----|------|--------------|-------------|-----|---------|
| K305         | \$1,558.00 | 138 | 149  | M415         | \$4,558.00  | 195 | 180     |
| K307         | \$1,898.00 | 214 | 148  | M421         | \$4,169.00  | 196 | 179     |
| K310         | \$1,275.00 | 109 | 187  | M422         | \$5,209.00  | 170 | 180     |
| K311         | \$1,558.00 | 154 | 187  | M423         | \$5,049.00  | 254 | 179     |
| K312         | \$1,912.00 | 154 | 187  | M424         | \$4,172.00  | 208 | 178     |
| K313         | \$1,912.00 | 141 | 149  | M425         | \$3,411.00  | 244 | 178     |
| K314         | \$2,326.00 | 118 | 149  | M504         | \$6,916.00  | 274 | 179     |
| K315         | \$2,852.00 | 126 | 149  | M506         | \$4,916.00  | 274 | 178     |
| K321         | \$1,692.00 | 138 | 190  | M511         | \$6,916.00  | 277 | 180     |
| K320         | \$1,463.00 | 125 | 190  | M512         | \$7,810.00  | 273 | 180     |
| K327         | \$1,956.00 | 146 | 190  | M513         | \$7,073.00  | 269 | 178     |
| K1030        | \$201.00   | 15  | 214  | M514         | \$10,733.00 | 296 | 179     |
| K1032        | \$201.00   | 16  | 214  | M515         | \$7,253.00  | 308 | 179     |
| K1024LD      | \$351.00   | 12  | 145  | M520         | \$4,172.00  | 272 | 178     |
| K1034LV1     | \$410.00   | 19  | 145  | M521         | \$5,049.00  | 272 | 179     |
| K1050        | \$228.00   | 17  | 214  | M522         | \$6,916.00  | 290 | 179     |
| K1052        | \$228.00   | 18  | 214  | N148E        | \$554.00    | 39  | 219     |
| K1070        | \$267.00   | 19  | 214  | N149E        | \$492.00    | 46  | 219     |
| K1072        | \$267.00   | 21  | 214  | N149L        | \$507.00    | 38  | 219     |
| K1100        | \$297.00   | 22  | 214  | N153E        | \$654.00    | 46  | 219     |
| K1102        | \$297.00   | 22  | 214  | N157E        | \$709.00    | 44  | 219     |
| K1150        | \$405.00   | 30  | 214  | N161E        | \$649.00    | 49  | 219     |
| K1152        | \$405.00   | 27  | 214  | N218         | \$930.00    | 78  | 188     |
| K1200        | \$472.00   | 30  | 214  | N220         | \$1,066.00  | 78  | 188     |
| K1202        | \$472.00   | 30  | 214  | N313         | \$1,570.00  | 158 | 220     |
| K3072        | \$318.00   | 18  | 212  | N320         | \$1,231.00  | 93  | 188     |
| K3102        | \$362.00   | 20  | 212  | OAD1016      | \$223.00    | 15  | 94      |
| K3152        | \$467.00   | 26  | 212  | OAD1106      | \$500.00    | 20  | 94      |
| K3202        | \$531.00   | 27  | 212  | OAM10088     | \$178.00    | 9   | 95      |
| M104         | \$1,345.00 | 32  | 179  | OAM1018      | \$198.00    | 13  | 95      |
| M104V1       | \$1,345.00 | 33  | 179  | OAN010       | \$335.00    | 15  | 94      |
| M109V1       | \$1,111.00 | 27  | 179  | OAN140       | \$505.00    | 23  | 94      |
| M116V1       | \$945.00   | 25  | 178  | OAN460       | \$366.00    | 28  | 94      |
| M120V1       | \$983.00   | 29  | 178  | OAN470       | \$321.00    | 11  | 94      |
| M125V1       | \$1,345.00 | 35  | 179  | OAN747       | \$514.00    | 27  | 94      |
| M126         | \$945.00   | 26  | 178  | OAN1076      | \$366.00    | 19  | 94      |
| M126V1       | \$945.00   | 25  | 178  | OAN1076V1    | \$366.00    | 28  | 94      |
| M127V1       | \$983.00   | 28  | 178  | OAS40056     | \$238.00    | 14  | 95      |
| M128L        | \$1,141.00 | 15  | 178  | OB1024       | \$326.00    | 15  | 143     |
| M206         | \$1,230.00 | 59  | 178  | OB1104AV1    | \$504.00    | 33  | 144     |
| M207         | \$1,553.00 | 60  | 179  | OB1104AV2    | \$542.00    | 31  | 144     |
| M208         | \$1,820.00 | 72  | 179  | OB1204AL     | \$796.00    | 46  | 144     |
| M210         | \$1,480.00 | 61  | 180  | OB2024       | \$244.00    | 11  | 137     |
| M211         | \$1,820.00 | 69  | 180  | OB2024L      | \$266.00    | 12  | 137     |
| M220         | \$1,553.00 | 66  | 179  | OB3075       | \$463.00    | 20  | 159     |
| M221         | \$1,820.00 | 71  | 179  | OB3104       | \$492.00    | 21  | 159     |
| M222         | \$1,230.00 | 62  | 178  | OB3154       | \$547.00    | 27  | 160     |
| M223         | \$1,481.00 | 70  | 178  | OB3204       | \$599.00    | 31  | 160     |
| M302         | \$1,481.00 | 71  | 178  | OB3204V1     | \$535.00    | 33  | 160     |
| M305         | \$2,506.00 | 110 | 179  | OBG2004      | \$283.00    | 12  | 92      |
| M312         | \$2,127.00 | 85  | 178  | OBK6002V1    | \$141.00    | 7   | 91      |
| M313         | \$2,403.00 | 101 | 178  | OBR40016     | \$141.00    | 8   | 97      |
| M314         | \$2,506.00 | 116 | 180  | OBR40066     | \$130.00    | 6   | 97      |
| M315         | \$3,302.00 | 124 | 179  | OBR40086     | \$136.00    | 6   | 97      |
| M316         | \$3,302.00 | 150 | 180  | OCA1014      | \$218.00    | 9   | 99      |
| M317         | \$3,302.00 | 160 | 179  | OCA1016      | \$233.00    | 9   | 99, 123 |
| M320         | \$2,506.00 | 110 | 179  | OCA1024      | \$250.00    | 9   | 99      |
| M321         | \$2,127.00 | 85  | 178  | OCA1026      | \$237.00    | 12  | 99      |
| M322         | \$2,403.00 | 96  | 178  | OCA1036      | \$346.00    | 13  | 100     |
| M412         | \$3,411.00 | 192 | 178  | OCA1056      | \$522.00    | 21  | 100     |
| M413         | \$4,169.00 | 192 | 179  | OCA3074      | \$488.00    | 21  | 100     |

# Index

| STOCK NUMBER | PRICE    | WT. | PAGE    | STOCK NUMBER | PRICE    | WT. | PAGE     |
|--------------|----------|-----|---------|--------------|----------|-----|----------|
| OCA3076      | \$675.00 | 27  | 100     | OLE1036H     | \$260.00 | 13  | 117      |
| OCA3076H     | \$680.00 | 27  | 100     | OLE1038      | \$337.00 | 18  | 117      |
| OCA6427      | \$183.00 | 10  | 99      | OLE1038V1    | \$337.00 | 18  | 117      |
| OCA10086     | \$229.00 | 9   | 98      | OLE1106      | \$619.00 | 24  | 117      |
| OCA10106     | \$230.00 | 11  | 98      | OLE1106H     | \$619.00 | 25  | 117      |
| OCA10206A    | \$268.00 | 11  | 99      | OLG1036      | \$317.00 | 13  | 117      |
| OCA10208     | \$229.00 | 12  | 99      | OLM6151      | \$240.00 | 7   | 118      |
| OCB1026A     | \$267.00 | 17  | 99      | OMC6517      | \$233.00 | 12  | 118      |
| OCB1036A     | \$227.00 | 13  | 100     | OML6418      | \$185.00 | 9   | 119      |
| OCB1056      | \$322.00 | 17  | 100     | OML6433      | \$197.00 | 10  | 119      |
| OCB4036SP    | \$267.00 | 14  | 58, 100 | OML6435      | \$193.00 | 10  | 119, 120 |
| OCB6427      | \$202.00 | 11  | 99      | OMM1026      | \$238.00 | 16  | 99, 101  |
| OCC1056      | \$314.00 | 17  | 100     | OMM1036      | \$254.00 | 13  | 100, 101 |
| OCD1056      | \$385.00 | 19  | 100     | ONR6026      | \$215.00 | 11  | 120      |
| OCE1036      | \$203.00 | 12  | 100     | ONR6406      | \$220.00 | 9   | 120      |
| OCF1036      | \$208.00 | 13  | 100     | OPV343       | \$179.00 | 4   | 121      |
| OCP0108      | \$311.00 | 15  | 102     | OPV346       | \$212.00 | 8   | 121      |
| OCP0250      | \$340.00 | 12  | 54, 102 | OPV746       | \$184.00 | 6   | 121      |
| OCP0251      | \$296.00 | 18  | 53, 102 | OPV747       | \$289.00 | 10  | 121      |
| OCP1024      | \$285.00 | 12  | 102     | OPV748       | \$295.00 | 10  | 121      |
| OCT1026S     | \$167.00 | 11  | 99      | OPV400206    | \$203.00 | 5   | 121      |
| ODN1036A     | \$291.00 | 13  | 103     | ORM1006      | \$234.00 | 10  | 122      |
| OEK4509      | \$304.00 | 11  | 103     | ORM1008      | \$201.00 | 10  | 122      |
| OEK4510      | \$314.00 | 11  | 103     | ORM1008V1    | \$221.00 | 9   | 122      |
| OEV1006      | \$201.00 | 8   | 105     | ORM1016      | \$169.00 | 10  | 123      |
| OEV1026      | \$238.00 | 12  | 105     | ORM1016V1    | \$153.00 | 9   | 123      |
| OEV6016      | \$217.00 | 11  | 105     | ORM10206V1   | \$168.00 | 10  | 123      |
| OFC1004      | \$206.00 | 10  | 107     | ORM1026      | \$186.00 | 11  | 123      |
| OFC1024      | \$225.00 | 11  | 107     | ORM1026L     | \$193.00 | 13  | 123      |
| OFE1016      | \$305.00 | 11  | 106     | ORM1028      | \$286.00 | 12  | 123      |
| OFE1034      | \$314.00 | 15  | 106     | ORM1036      | \$195.00 | 14  | 124      |
| OFE4536      | \$250.00 | 9   | 106     | ORM1036V1    | \$188.00 | 13  | 124      |
| OFE5001      | \$178.00 | 9   | 106     | ORM1038      | \$335.00 | 13  | 124      |
| OFR1016      | \$390.00 | 11  | 108     | ORM1056      | \$248.00 | 14  | 124      |
| OFR1036      | \$319.00 | 17  | 108     | ORM10563     | \$238.00 | 18  | 124      |
| OGD1016      | \$145.00 | 9   | 108     | ORM1058      | \$393.00 | 15  | 124      |
| OGD1026      | \$149.00 | 11  | 108     | ORM1076      | \$369.00 | 19  | 124      |
| OHQ1056      | \$437.00 | 19  | 110     | ORM4658BF    | \$261.00 | 13  | 75       |
| OHR1106      | \$570.00 | 18  | 110     | ORM4659BF    | \$331.00 | 19  | 75       |
| OHS1004      | \$289.00 | 11  | 59, 111 | ORM4688BF    | \$327.00 | 17  | 75       |
| OHS1016      | \$326.00 | 13  | 60, 111 | ORM5454BF    | \$137.00 | 11  | 75       |
| OHS10206     | \$286.00 | 12  | 67, 111 | ORM5454F     | \$126.00 | 11  | 75       |
| OHS9983      | \$338.00 | 14  | 111     | ORM5458      | \$153.00 | 12  | 75, 124  |
| OKA1052      | \$260.00 | 20  | 96      | ORM5458B     | \$162.00 | 12  | 75       |
| OKA1072      | \$328.00 | 23  | 96      | ORM5458BF    | \$169.00 | 12  | 75       |
| OKB1038      | \$422.00 | 15  | 96      | ORM5458F     | \$160.00 | 12  | 75       |
| OKB1058      | \$421.00 | 18  | 96      | ORM5459BF    | \$173.00 | 17  | 75       |
| OKR1096      | \$570.00 | 25  | 85, 114 | ORM5484BF    | \$158.00 | 12  | 75       |
| OKR1503      | \$743.00 | 34  | 85, 114 | ORM5484F     | \$146.00 | 12  | 75       |
| OKT1026      | \$250.00 | 16  | 60, 115 | ORM5488      | \$184.00 | 16  | 75       |
| OKT3035      | \$280.00 | 15  | 115     | ORM5488B     | \$196.00 | 15  | 75       |
| OKT3041      | \$307.00 | 21  | 115     | ORM5488BF    | \$206.00 | 16  | 75       |
| OL1032D      | \$234.00 | 20  | 91      | ORM5488F     | \$193.00 | 16  | 75       |
| OL1052DS     | \$244.00 | 23  | 91      | ORM5489BF    | \$221.00 | 18  | 75       |
| OL1072D      | \$280.00 | 20  | 91      | ORV4537      | \$206.00 | 9   | 125      |
| OL2002       | \$157.00 | 11  | 91      | ORV4538      | \$202.00 | 9   | 125      |
| OL2032       | \$234.00 | 18  | 91      | ORV4539      | \$216.00 | 11  | 125      |
| OL2034       | \$215.00 | 18  | 91      | ORV4540      | \$208.00 | 11  | 125      |
| OL2052D      | \$244.00 | 18  | 91      | OS2014LA     | \$168.00 | 12  | 137      |
| OLE1026      | \$278.00 | 9   | 116     | OS2024L      | \$171.00 | 12  | 137      |
| OLE1036A     | \$258.00 | 13  | 117     | OS2031L      | \$196.00 | 14  | 137      |



| STOCK NUMBER | PRICE      | WT. | PAGE    | STOCK NUMBER | PRICE      | WT. | PAGE |
|--------------|------------|-----|---------|--------------|------------|-----|------|
| OS2050       | \$218.00   | 18  | 137     | PD6104AV3    | \$505.00   | 40  | 186  |
| OS2074       | \$232.00   | 20  | 137     | Q1032        | \$212.00   | 19  | 215  |
| OSR1026      | \$346.00   | 12  | 125     | Q1052        | \$238.00   | 18  | 215  |
| OTA2004      | \$186.00   | 9   | 92      | Q1072        | \$281.00   | 23  | 215  |
| OTC1862      | \$264.00   | 11  | 126     | Q1072ES      | \$374.00   | 21  | 210  |
| OTC1864      | \$282.00   | 11  | 126     | Q1102        | \$311.00   | 27  | 215  |
| OTC6001      | \$172.00   | 8   | 126     | Q1102ES      | \$413.00   | 26  | 210  |
| OTC6004      | \$165.00   | 7   | 126     | Q1152        | \$436.00   | 31  | 215  |
| OTEB2054A    | \$295.00   | 17  | 87      | Q1152ES      | \$575.00   | 29  | 210  |
| OTR1004      | \$190.00   | 11  | 128     | Q1202        | \$490.00   | 33  | 215  |
| OTR1028      | \$229.00   | 14  | 128     | Q3052        | \$337.00   | 19  | 212  |
| OTR1036      | \$317.00   | 14  | 128     | Q3072        | \$367.00   | 18  | 212  |
| OTR4513      | \$193.00   | 8   | 128     | Q3102        | \$413.00   | 23  | 212  |
| OTR10206     | \$281.00   | 11  | 128     | Q3152        | \$524.00   | 26  | 212  |
| OTY1024      | \$301.00   | 15  | 129     | Q3202        | \$635.00   | 32  | 212  |
| OWR1016      | \$243.00   | 10  | 131     | Q3302V1      | \$684.00   | 33  | 212  |
| OWR1036      | \$183.00   | 12  | 131     | QC1052       | \$312.00   | 24  | 201  |
| OWW4514      | \$305.00   | 10  | 130     | QC1072       | \$344.00   | 25  | 201  |
| OWW4515      | \$334.00   | 13  | 130     | QC1102       | \$371.00   | 31  | 201  |
| OWW4517      | \$279.00   | 14  | 47, 130 | R110         | \$611.00   | 29  | 160  |
| OWW6516      | \$251.00   | 9   | 130     | R155         | \$518.00   | 34  | 190  |
| OYK1006      | \$197.00   | 9   | 132     | R180         | \$392.00   | 31  | 190  |
| OYK1026      | \$207.00   | 11  | 132     | R181         | \$462.00   | 35  | 190  |
| OYK1028      | \$240.00   | 12  | 132     | R232         | \$1,688.00 | 95  | 209  |
| OYK1056      | \$333.00   | 20  | 132     | R236         | \$1,531.00 | 76  | 209  |
| OYK1056S     | \$352.00   | 18  | 132     | R237         | \$1,615.00 | 85  | 209  |
| OYK1056V1    | \$223.00   | 16  | 132     | R243         | \$1,200.00 | 90  | 190  |
| OYK1106      | \$424.00   | 21  | 132     | R244         | \$1,075.00 | 75  | 190  |
| OYK6518      | \$263.00   | 12  | 132     | R260         | \$1,792.00 | 95  | 224  |
| P121         | \$550.00   | 40  | 221     | R261         | \$1,792.00 | 98  | 224  |
| P122         | \$531.00   | 39  | 221     | R265         | \$2,034.00 | 79  | 224  |
| P123         | \$640.00   | 46  | 221     | R266         | \$1,773.00 | 77  | 224  |
| P124         | \$643.00   | 40  | 221     | R267         | \$2,284.00 | 89  | 224  |
| P126         | \$531.00   | 40  | 221     | R268         | \$1,773.00 | 73  | 224  |
| P128         | \$640.00   | 45  | 221     | R269         | \$1,816.00 | 89  | 224  |
| P130         | \$814.00   | 28  | 221     | R270         | \$1,836.00 | 130 | 224  |
| P131         | \$814.00   | 48  | 221     | R271         | \$1,836.00 | 96  | 224  |
| P133         | \$1,392.00 | 72  | 221     | R275         | \$2,719.00 | 99  | 224  |
| P137         | \$733.00   | 50  | 221     | R276         | \$1,816.00 | 78  | 224  |
| P140         | \$1,191.00 | 53  | 221     | R277         | \$1,850.00 | 93  | 224  |
| P212         | \$1,507.00 | 84  | 221     | R278         | \$2,959.00 | 106 | 224  |
| P228         | \$793.00   | 71  | 221     | R279         | \$1,850.00 | 78  | 224  |
| P229         | \$863.00   | 71  | 221     | R280         | \$1,977.00 | 113 | 224  |
| P230         | \$952.00   | 89  | 221     | R281         | \$1,977.00 | 115 | 224  |
| P231         | \$1,151.00 | 142 | 221     | R284         | \$1,977.00 | 110 | 224  |
| P232         | \$802.00   | 75  | 221     | R290V1       | \$2,206.00 | 149 | 224  |
| P235         | \$1,191.00 | 90  | 221     | R291V1       | \$2,206.00 | 149 | 224  |
| P311         | \$1,976.00 | 120 | 221     | R294V1       | \$2,206.00 | 138 | 224  |
| P312         | \$1,672.00 | 130 | 221     | R327         | \$1,459.00 | 109 | 190  |
| P313         | \$2,468.00 | 155 | 221     | R338         | \$2,460.00 | 140 | 209  |
| P317         | \$1,384.00 | 140 | 221     | R339         | \$2,766.00 | 189 | 209  |
| P318         | \$1,488.00 | 120 | 221     | R344         | \$1,570.00 | 122 | 223  |
| P319         | \$1,806.00 | 157 | 221     | R345         | \$1,648.00 | 141 | 223  |
| P320         | \$1,914.00 | 143 | 221     | R352         | \$1,517.00 | 115 | 223  |
| P321         | \$2,255.00 | 147 | 221     | R353         | \$1,517.00 | 112 | 223  |
| P324         | \$1,396.00 | 131 | 221     | R354         | \$1,933.00 | 137 | 223  |
| P325         | \$1,488.00 | 123 | 221     | R355         | \$1,933.00 | 130 | 223  |
| P326         | \$1,806.00 | 160 | 221     | R422         | \$2,953.00 | 272 | 223  |
| P327         | \$1,914.00 | 143 | 221     | R423         | \$3,147.00 | 261 | 2223 |
| PD1050AV1    | \$314.00   | 26  | 186     | R424         | \$4,427.00 | 315 | 223  |
| PD6104AV2    | \$549.00   | 42  | 186     | R450         | \$2,424.00 | 178 | 223  |

# Index

| STOCK NUMBER | PRICE      | WT. | PAGE | STOCK NUMBER | PRICE      | WT. | PAGE     |
|--------------|------------|-----|------|--------------|------------|-----|----------|
| R451         | \$2,424.00 | 195 | 223  | RB3204       | \$596.00   | 33  | 151      |
| R452         | \$2,693.00 | 220 | 223  | RB3204A      | \$592.00   | 38  | 151      |
| R453         | \$2,693.00 | 214 | 223  | RB3204AV1    | \$624.00   | 38  | 151      |
| R550         | \$3,114.00 | 256 | 223  | RBF1034A     | \$385.00   | 18  | 141      |
| R551         | \$3,114.00 | 204 | 223  | RF4400       | \$230.00   | 10  | 40       |
| R552         | \$4,130.00 | 313 | 223  | RF4401       | \$230.00   | 10  | 40       |
| R553         | \$4,130.00 | 306 | 223  | RF6402       | \$244.00   | 11  | 40       |
| R612         | \$4,963.00 | 270 | 223  | RF6403       | \$244.00   | 12  | 40       |
| R613         | \$4,963.00 | 354 | 223  | RS1024A      | \$298.00   | 15  | 141      |
| R615         | \$6,074.00 | 393 | 223  | RS1030A      | \$297.00   | 16  | 141      |
| R1052        | \$275.00   | 19  | 210  | RS1034A      | \$314.00   | 18  | 141      |
| R1072        | \$333.00   | 21  | 210  | RS1035A      | \$332.00   | 17  | 141      |
| R1072ES      | \$372.00   | 21  | 210  | RS1050A      | \$351.00   | 17  | 141      |
| R1102        | \$376.00   | 26  | 210  | RS1051A      | \$383.00   | 17  | 141      |
| R1102ES      | \$404.00   | 26  | 210  | RS1054AV1    | \$396.00   | 26  | 141      |
| R1152ES      | \$575.00   | 31  | 210  | RS1070AV1    | \$453.00   | 22  | 142      |
| R1202ES      | \$688.00   | 33  | 210  | RS1074AL     | \$465.00   | 31  | 142      |
| RA1006       | \$259.00   | 11  | 62   | RS1104AV1    | \$593.00   | 32  | 142      |
| RA1016       | \$190.00   | 11  | 62   | RS2014       | \$209.00   | 13  | 133      |
| RA1024       | \$331.00   | 13  | 63   | RS2014L      | \$207.00   | 10  | 133      |
| RA1026       | \$238.00   | 13  | 63   | RS2026       | \$232.00   | 12  | 133      |
| RA1034       | \$341.00   | 15  | 64   | RS2034L      | \$287.00   | 14  | 134      |
| RA1036       | \$255.00   | 16  | 64   | SA1016       | \$168.00   | 11  | 62       |
| RA1036WB     | \$268.00   | 17  | 64   | SA1026       | \$180.00   | 14  | 63       |
| RA1054       | \$378.00   | 17  | 65   | SA1036V1     | \$182.00   | 13  | 64       |
| RA1056       | \$297.00   | 18  | 65   | SA1056       | \$212.00   | 18  | 65       |
| RA1056WB     | \$309.00   | 19  | 65   | SDS1102      | \$236.00   | 32  | 207      |
| RA1074       | \$439.00   | 20  | 65   | SDS1152      | \$278.00   | 32  | 207      |
| RA1076       | \$428.00   | 19  | 65   | SDS1202      | \$334.00   | 31  | 207      |
| RA1176WB     | \$646.00   | 26  | 65   | SDS1252      | \$384.00   | 33  | 207      |
| RAB1034S     | \$345.00   | 18  | 130  | SDS1302      | \$441.00   | 34  | 207      |
| RAB1036      | \$203.00   | 15  | 64   | SGF2034V2    | \$384.00   | 26  | 138      |
| RAL1006      | \$253.00   | 11  | 62   | SGF2034V3    | \$459.00   | 44  | 138      |
| RAL1016      | \$247.00   | 12  | 62   | SGF2034V4    | \$301.00   | 20  | 138      |
| RAL1024      | \$325.00   | 12  | 63   | SGF2054AV2   | \$327.00   | 21  | 138      |
| RAL1026      | \$276.00   | 20  | 63   | SGF2054HL    | \$324.00   | 31  | 138      |
| RAL1034      | \$359.00   | 14  | 64   | SGK2034V1    | \$459.00   | 20  | 138      |
| RAL1036      | \$283.00   | 18  | 64   | SGK2054V1    | \$513.00   | 24  | 138      |
| RAL1054      | \$371.00   | 16  | 65   | SK1052       | \$246.00   | 19  | 196      |
| RAL1056      | \$346.00   | 20  | 65   | SK1072       | \$275.00   | 22  | 196      |
| RAL1076      | \$437.00   | 20  | 65   | SK1102       | \$315.00   | 27  | 196      |
| RAL10156     | \$235.00   | 10  | 62   | SK1152       | \$410.00   | 30  | 196      |
| RB1052L      | \$293.00   |     | 141  | SK1202       | \$512.00   | 32  | 196      |
| RB1054AV1    | \$418.00   | 22  | 141  | SK1302V1     | \$695.00   | 44  | 196, 214 |
| RB1074A      | \$488.00   | 22  | 142  | SN1072       | \$409.00   | 31  | 211      |
| RB1104AV1    | \$554.00   | 31  | 142  | SN1102       | \$447.00   | 33  | 211      |
| RB1154AV1    | \$641.00   | 45  | 142  | SN1152       | \$499.00   | 34  | 211      |
| RB1204AV1    | \$748.00   | 43  | 142  | SN1202       | \$557.00   | 37  | 211      |
| RB2014       | \$227.00   | 11  | 133  | SN1302       | \$938.00   | 47  | 211      |
| RB2024       | \$288.00   | 14  | 133  | SP2030A      | \$203.00   | 12  | 222      |
| RB2026       | \$463.00   | 23  | 133  | SP2034A      | \$267.00   | 12  | 222      |
| RB2026L      | \$494.00   | 23  | 133  | SP2050A      | \$221.00   | 13  | 222      |
| RB2034       | \$309.00   | 14  | 134  | SQ1032       | \$247.00   | 16  | 201      |
| RB2034L      | \$313.00   | 15  | 134  | SQ1052       | \$258.00   | 19  | 201      |
| RB2036       | \$385.00   | 28  | 134  | SQ1072       | \$289.00   | 23  | 201      |
| RB2054DV2    | \$403.00   | 20  | 135  | SQ1102       | \$336.00   | 27  | 201      |
| RB2054DV3    | \$354.00   | 19  | 135  | SQ1152       | \$431.00   | 31  | 201      |
| RB3034A      | \$402.00   | 20  | 150  | SQ1202       | \$535.00   | 34  | 201      |
| RB3104A      | \$533.00   | 28  | 150  | SQ1302V1     | \$662.00   | 43  | 201      |
| RB3154A      | \$572.00   | 30  | 151  | SQG1202A     | \$834.00   | 34  | 195      |
| RB3154AV1    | \$599.00   | 30  | 151  | SQG1302A     | \$1,072.00 | 44  | 195      |

| STOCK NUMBER | PRICE       | WT.  | PAGE     | STOCK NUMBER | PRICE       | WT.  | PAGE |
|--------------|-------------|------|----------|--------------|-------------|------|------|
| SQL1072R     | \$507.00    | 26   | 202      | T35026E      | \$650.00    | 43   | 159  |
| SQS1072R     | \$507.00    | 26   | 202      | T35027E      | \$783.00    | 46   | 160  |
| SQS1102R     | \$518.00    | 31   | 202      | T35028E      | \$837.00    | 49   | 160  |
| SQS1152R     | \$624.00    | 33   | 202      | T35037       | \$4,195.00  | 577  | 164  |
| SQS1202R     | \$782.00    | 43   | 202      | T35038       | \$4,723.00  | 625  | 164  |
| SS-613       | \$37.00     | 1    | 9        | T35039       | \$5,300.00  | 768  | 165  |
| ST1052       | \$253.00    | 18   | 196      | T35040       | \$7,379.00  | 848  | 165  |
| ST1072       | \$282.00    | 21   | 196      | T35041       | \$8,339.00  | 1114 | 166  |
| ST1102       | \$321.00    | 26   | 196      | T35042       | \$9,981.00  | 1258 | 166  |
| ST1152       | \$428.00    | 32   | 196      | T35043       | \$14,418.00 | 1555 | 167  |
| ST1202       | \$520.00    | 34   | 196      | T35044       | \$18,218.00 |      | 167  |
| ST1302V1     | \$704.00    | 44   | 196, 214 | T35051E      | \$786.00    |      | 159  |
| STG1102A     | \$619.00    | 28   | 195      | T35059       | \$4,066.00  | 411  | 163  |
| STG1202A     | \$811.00    | 34   | 195      | T35060       | \$3,611.00  | 546  | 163  |
| STG1302A     | \$1,138.00  | 44   | 195      | T35061       | \$4,132.00  | 625  | 163  |
| STS1072RV1   | \$464.00    | 27   | 197      | T35062       | \$6,321.00  | 713  | 164  |
| STS1102RV1   | \$487.00    | 28   | 197      | T35063       | \$7,720.00  | 820  | 164  |
| STS1152R     | \$562.00    | 32   | 197      | T35064       | \$8,275.00  |      | 165  |
| SV2054BV2L   | \$237.00    | 24   | 87       | T35065       | \$9,854.00  |      | 165  |
| SV2104HL     | \$427.00    | 33   | 87       | T35066       | \$12,480.00 | 1431 | 166  |
| SV2104HV2    | \$424.00    | 33   | 87       | T35067       | \$14,177.00 | 1474 | 166  |
| SV2104L      | \$435.00    | 33   | 87       | T35068       | \$15,640.00 |      | 167  |
| SV2104V1L    | \$431.00    | 34   | 87       | T35069       | \$22,961.00 |      | 167  |
| SV2104V1L1   | \$431.00    |      | 87       | T37026E      | \$596.00    | 41   | 159  |
| SVB2034      | \$185.00    | 14   | 87       | T37027E      | \$633.00    | 45   | 160  |
| SVB2034B     | \$191.00    | 19   | 87       | T37028E      | \$667.00    | 48   | 160  |
| SVB2054      | \$201.00    | 17   | 87       | T37037       | \$3,608.00  | 586  | 164  |
| SVB2054H     | \$204.00    | 17   | 87       | T37038       | \$4,195.00  | 623  | 164  |
| SVB2074      | \$278.00    | 22   | 87       | T37039       | \$5,300.00  | 761  | 165  |
| SVB2074BV1   | \$268.00    | 23   | 87       | T37040       | \$7,379.00  | 999  | 165  |
| SVB2074H     | \$322.00    | 22   | 87       | T37041       | \$8,339.00  |      | 166  |
| T1032        | \$206.00    | 16   | 214      | T37042       | \$9,981.00  | 1258 | 166  |
| T1052        | \$231.00    | 18   | 214      | T37043       | \$14,418.00 | 1527 | 167  |
| T1072        | \$272.00    | 19   | 214      | T37044       | \$18,218.00 | 1725 | 167  |
| T1102        | \$302.00    | 23   | 214      | T44029       | \$593.00    | 93   | 170  |
| T1152        | \$424.00    | 27   | 214      | T44033       | \$1,714.00  | 266  | 172  |
| T1202        | \$513.00    | 30   | 214      | T46061       | \$5,346.00  | 655  | 173  |
| T3052        | \$294.00    | 16   | 212      | T48004       | \$680.00    | 84   | 170  |
| T3072        | \$322.00    | 21   | 212      | T48053       | \$749.00    | 104  | 169  |
| T3102        | \$371.00    | 22   | 212      | T55026       | \$577.00    | 53   | 168  |
| T3152        | \$476.00    | 26   | 212      | T55027       | \$623.00    | 56   | 169  |
| T3202        | \$542.00    | 27   | 212      | T55028       | \$692.00    | 56   | 169  |
| T26042       | \$8,556.00  | 1247 | 166      | T55029       | \$849.00    | 93   | 170  |
| T33026E      | \$596.00    | 42   | 159      | T55030       | \$965.00    | 95   | 170  |
| T33027E      | \$633.00    | 45   | 160      | T55031       | \$1,300.00  | 149  | 171  |
| T33028E      | \$667.00    | 49   | 160      | T55032       | \$1,497.00  | 152  | 171  |
| T33037       | \$4,195.00  | 572  | 164      | T55033       | \$2,132.00  | 266  | 172  |
| T33038       | \$4,751.00  | 635  | 164      | T55034       | \$2,672.00  | 290  | 172  |
| T33039       | \$5,300.00  | 935  | 165      | T55035       | \$3,280.00  | 430  | 173  |
| T33040       | \$7,379.00  | 845  | 165      | T57002       | \$620.00    | 53   | 169  |
| T33041       | \$8,339.00  | 1113 | 166      | T57003       | \$708.00    | 60   | 169  |
| T35002E      | \$799.00    | 40   | 160      | T57004       | \$883.00    | 85   | 170  |
| T35003E      | \$796.00    | 45   | 160      | T57005       | \$1,102.00  | 103  | 170  |
| T35004E      | \$886.00    | 51   | 161      | T57006       | \$1,347.00  | 154  | 171  |
| T35013       | \$4,927.00  | 682  | 164      | T57007       | \$1,556.00  | 182  | 171  |
| T35014       | \$5,590.00  | 688  | 165      | T57008       | \$2,194.00  | 304  | 172  |
| T35015       | \$7,451.00  | 734  | 165      | T57009       | \$2,713.00  | 323  | 172  |
| T35016       | \$9,789.00  | 794  | 166      | T57010       | \$3,402.00  | 445  | 173  |
| T35017       | \$11,494.00 | 1138 | 166      | T57011       | \$3,895.00  | 496  | 173  |
| T35018       | \$14,779.00 | 1225 | 167      | T57012       | \$5,234.00  | 598  | 174  |
| T35019       | \$18,326.00 | 1568 | 167      | T57013       | \$6,737.00  | 688  | 174  |

# Index

| STOCK NUMBER | PRICE       | WT.  | PAGE     | STOCK NUMBER | PRICE       | WT.  | PAGE |
|--------------|-------------|------|----------|--------------|-------------|------|------|
| T57014       | \$7,666.00  | 935  | 174      | T59031       | \$1,300.00  | 159  | 171  |
| T57015       | \$9,771.00  | 990  | 174      | T59032       | \$1,497.00  | 185  | 171  |
| T57016       | \$13,016.00 | 1489 | 175      | T59033       | \$2,132.00  | 285  | 172  |
| T57017       | \$16,715.00 | 1958 | 175      | T59034       | \$2,672.00  | 315  | 172  |
| T57018       | \$20,689.00 | 2163 | 175      | T59035       | \$3,280.00  | 452  | 173  |
| T57019       | \$26,152.00 | 2464 | 175      | T59036       | \$3,753.00  | 481  | 173  |
| T57026       | \$577.00    | 47   | 168, 225 | T59037       | \$5,085.00  | 615  | 174  |
| T57027       | \$623.00    | 54   | 169      | T59038       | \$6,113.00  | 721  | 174  |
| T57028       | \$692.00    | 56   | 169, 225 | T59039       | \$10,486.00 | 917  | 174  |
| T57029       | \$849.00    | 91   | 170      | T59040       | \$12,217.00 | 992  | 174  |
| T57030       | \$965.00    | 108  | 170      | T59041       | \$14,119.00 | 1102 | 175  |
| T57031       | \$1,300.00  | 159  | 171      | T59042       | \$17,013.00 | 1914 | 175  |
| T57032       | \$1,497.00  | 185  | 171      | T59043       | \$19,780.00 | 2123 | 175  |
| T57033       | \$2,132.00  | 285  | 172      | T59044       | \$24,057.00 | 2583 | 175  |
| T57034       | \$2,672.00  | 315  | 172      | T59051       | \$737.00    | 56   | 168  |
| T57035       | \$3,280.00  | 452  | 173      | T59052       | \$879.00    | 95   | 169  |
| T57036       | \$3,753.00  | 461  | 173      | T59053       | \$966.00    | 104  | 169  |
| T57037       | \$5,085.00  | 615  | 174      | T59054       | \$1,188.00  | 148  | 170  |
| T57038       | \$6,113.00  | 721  | 174      | T59055       | \$1,663.00  | 185  | 170  |
| T57039       | \$10,486.00 | 939  | 174      | T59056       | \$2,219.00  | 264  | 171  |
| T57040       | \$12,217.00 | 1014 | 174      | T59057       | \$2,722.00  | 341  | 171  |
| T57041       | \$14,119.00 | 1492 | 175      | T59058       | \$3,616.00  | 423  | 172  |
| T57042       | \$17,013.00 | 1897 | 175      | T59059       | \$4,428.00  | 481  | 172  |
| T57043       | \$19,780.00 | 2006 | 175      | T59060       | \$5,198.00  | 573  | 173  |
| T57044       | \$24,057.00 | 2674 | 175      | T59061       | \$6,398.00  | 655  | 173  |
| T57051       | \$737.00    | 57   | 168      | TCF81002E    | \$708.00    | 57   | 155  |
| T57052       | \$879.00    | 98   | 169      | TCF81003E    | \$818.00    | 66   | 155  |
| T57053       | \$966.00    | 103  | 169      | TCF81004E    | \$999.00    | 112  | 155  |
| T57054       | \$1,188.00  | 148  | 170      | TCF81005E    | \$1,088.00  | 112  | 156  |
| T57055       | \$1,663.00  | 185  | 170      | TCF81006E    | \$1,353.00  | 182  | 156  |
| T57056       | \$2,219.00  | 286  | 171      | TCF81007     | \$1,308.00  | 176  | 156  |
| T57057       | \$2,722.00  | 341  | 171      | TCF81007E    | \$1,532.00  | 182  | 156  |
| T57058       | \$3,616.00  | 428  | 172      | TCF81008E    | \$2,250.00  | 308  | 156  |
| T57059       | \$4,428.00  | 484  | 172      | TCF81009E    | \$2,774.00  | 332  | 156  |
| T57060       | \$5,198.00  | 573  | 173      | TCF81010E    | \$3,564.00  | 475  | 156  |
| T57061       | \$6,398.00  | 655  | 173      | TCF81011E    | \$3,967.00  | 609  | 156  |
| T57062       | \$6,836.00  | 834  | 174      | TCF81012E    | \$5,473.00  | 656  | 156  |
| T57063       | \$8,686.00  | 935  | 174      | TCF81013E    | \$6,997.00  | 1439 | 156  |
| T57064       | \$9,651.00  | 1380 | 174      | TCF81014E    | \$8,665.00  | 930  | 156  |
| T57065       | \$11,675.00 | 1547 | 174      | TCF81015E    | \$10,358.00 | 975  | 156  |
| T57066       | \$15,629.00 | 1857 | 175      | TCF81026E    | \$823.00    | 57   | 155  |
| T57067       | \$19,878.00 | 2170 | 175      | TCF81027E    | \$722.00    | 61   | 155  |
| T57068       | \$21,393.00 | 2508 | 175      | TCF81028E    | \$791.00    | 63   | 155  |
| T57069       | \$28,564.00 | 2486 | 175      | TCF81029E    | \$1,081.00  | 107  | 155  |
| T59002       | \$620.00    | 53   | 169      | TCF81030E    | \$1,217.00  | 115  | 156  |
| T59003       | \$708.00    | 62   | 169      | TCF81031E    | \$1,672.00  | 186  | 156  |
| T59004       | \$883.00    | 85   | 170      | TCF81032E    | \$1,931.00  | 203  | 156  |
| T59005       | \$1,102.00  | 103  | 170      | TCF81033E    | \$2,753.00  | 304  | 156  |
| T59006       | \$1,347.00  | 154  | 171      | TCF81034E    | \$3,515.00  | 345  | 156  |
| T59007       | \$1,556.00  | 176  | 171      | TCF81035E    | \$4,306.00  | 471  | 156  |
| T59008       | \$2,194.00  | 287  | 172      | TCF81036E    | \$4,868.00  | 495  | 155  |
| T59009       | \$2,713.00  | 322  | 172      | TCF81037E    | \$6,920.00  | 651  | 156  |
| T59010       | \$3,402.00  | 448  | 173      | TCF81038     | \$6,946.00  | 708  | 156  |
| T59011       | \$3,895.00  | 496  | 173      | TCF81038E    | \$8,138.00  | 713  | 156  |
| T59012       | \$5,234.00  | 598  | 174      | TCF81039E    | \$8,499.00  |      | 156  |
| T59013       | \$6,737.00  | 688  | 174      | TCF81040E    | \$11,031.00 | 1034 | 156  |
| T59026       | \$577.00    | 47   | 168      | TCF81051E    | \$839.00    | 61   | 155  |
| T59027       | \$638.00    | 54   | 169      | TCF81052E    | \$908.00    | 108  | 155  |
| T59028       | \$692.00    | 66   | 169      | TCF81053E    | \$1,151.00  | 113  | 155  |
| T59029       | \$849.00    | 97   | 170      | TCF81054E    | \$1,402.00  | 177  | 155  |
| T59030       | \$965.00    | 108  | 170      | TCF81055E    | \$1,936.00  | 198  | 156  |

| <b>STOCK NUMBER</b> | <b>PRICE</b> | <b>WT.</b> | <b>PAGE</b> | <b>STOCK NUMBER</b> | <b>PRICE</b> | <b>WT.</b> | <b>PAGE</b> |
|---------------------|--------------|------------|-------------|---------------------|--------------|------------|-------------|
| TCF81056E           | \$2,532.00   | 299        | 156         | TCP12030            | \$782.00     | 84         | 218         |
| TCF81057E           | \$3,191.00   | 330        | 156         | TCP71001            | \$599.00     | 51         | 219         |
| TCF81058E           | \$4,087.00   | 427        | 156         | TCP71002            | \$657.00     | 57         | 219         |
| TCF81059E           | \$5,183.00   | 504        | 156         | TCP71003            | \$590.00     | 64         | 219         |
| TCF81060E           | \$5,876.00   | 603        | 156         | TCP71004            | \$689.00     | 84         | 219         |
| TCF81061E           | \$7,270.00   | 671        | 156         | TCP71005            | \$844.00     | 101        | 219         |
| TCF81062E           | \$8,249.00   | 1408       | 156         | TCP71006            | \$1,164.00   | 178        | 219         |
| TCF81063E           | \$10,552.00  | 961        | 156         | TCP71007            | \$1,352.00   | 191        | 220         |
| TCF81064E           | \$11,863.00  | 1401       | 156         | TCP71008            | \$1,788.00   | 287        | 220         |
| TCF81065E           | \$13,688.00  | 1543       | 156         | TCP71009            | \$2,202.00   | 322        | 220         |
| TCF82002E           | \$680.00     | 58         | 153         | TCP71010            | \$3,133.00   | 448        | 220         |
| TCF82003E           | \$992.00     | 64         | 153         | TCP71011            | \$4,100.00   | 515        | 220         |
| TCF82004E           | \$965.00     | 101        | 154         | TCP71012            | \$5,442.00   | 614        | 220         |
| TCF82005E           | \$1,104.00   | 109        | 154         | TCP71013            | \$6,849.00   | 684        | 220         |
| TCF82006E           | \$1,616.00   | 175        | 154         | TCP71026            | \$597.00     | 55         | 219         |
| TCF82007E           | \$1,943.00   | 209        | 154         | TCP71027            | \$655.00     | 59         | 219         |
| TCF82008E           | \$2,477.00   | 317        | 154         | TCP71028            | \$693.00     | 59         | 219         |
| TCF82009E           | \$3,226.00   | 332        | 154         | TCP71029            | \$630.00     | 90         | 219         |
| TCF82010E           | \$3,732.00   | 480        | 154         | TCP71030            | \$821.00     | 108        | 219         |
| TCF82011E           | \$4,412.00   | 504        | 154         | TCP71031            | \$1,166.00   | 181        | 219         |
| TCF82012E           | \$5,730.00   | 647        | 154         | TCP71032            | \$1,395.00   | 197        | 220         |
| TCF82013E           | \$7,340.00   | 722        | 154         | TCP71033            | \$2,166.00   | 278        | 220         |
| TCF82014E           | \$8,353.00   | 911        | 154         | TCP71034            | \$2,299.00   | 304        | 220         |
| TCF82015E           | \$9,990.00   | 942        | 154         | TCP71035            | \$3,627.00   | 452        | 220         |
| TCF82026E           | \$624.00     | 59         | 153         | TCP71036            | \$3,705.00   | 506        | 220         |
| TCF82027E           | \$694.00     | 59         | 153         | TCP71037            | \$5,153.00   | 616        | 220         |
| TCF82028E           | \$763.00     | 63         | 153         | TCP71038            | \$6,501.00   | 711        | 220         |
| TCF82029            | \$909.00     | 90         | 154         | TCP72001            | \$597.00     | 51         | 219         |
| TCF82029E           | \$867.00     | 104        | 154         | TCP72002            | \$657.00     | 59         | 219         |
| TCF82030E           | \$999.00     | 113        | 154         | TCP72003            | \$708.00     | 65         | 219         |
| TCF82031E           | \$1,512.00   | 174        | 154         | TCP72004            | \$820.00     | 97         | 219         |
| TCF82032E           | \$1,832.00   | 194        | 154         | TCP72005            | \$1,053.00   | 101        | 219         |
| TCF82033E           | \$2,359.00   | 317        | 154         | TCP72006            | \$1,382.00   | 178        | 219         |
| TCF82034E           | \$3,081.00   | 700        | 154         | TCP72007            | \$1,739.00   | 176        | 220         |
| TCF82035E           | \$3,489.00   | 928        | 154         | TCP72008            | \$1,802.00   |            | 220         |
| TCF82036E           | \$4,197.00   | 515        | 154         | TCP72009            | \$2,899.00   | 322        | 220         |
| TCF82037E           | \$5,356.00   | 722        | 154         | TCP72010            | \$3,673.00   | 448        | 220         |
| TCF82038E           | \$6,744.00   | 741        | 154         | TCP72011            | \$4,100.00   | 518        | 220         |
| TCF82039E           | \$8,200.00   | 961        | 154         | TCP72012            | \$5,442.00   | 617        | 220         |
| TCF82040E           | \$10,643.00  | 993        | 154         | TCP72013            | \$6,849.00   | 681        | 220         |
| TCF82051E           | \$812.00     | 62         | 153         | TCP72026            | \$597.00     | 57         | 219         |
| TCF82052E           | \$874.00     | 106        | 153         | TCP72027            | \$655.00     | 60         | 219         |
| TCF82053E           | \$1,110.00   | 103        | 153         | TCP72028            | \$562.00     | 62         | 219         |
| TCF82054E           | \$1,346.00   | 176        | 154         | TCP72029            | \$636.00     | 90         | 219         |
| TCF82055E           | \$1,867.00   | 194        | 154         | TCP72030            | \$971.00     | 108        | 219         |
| TCF82056E           | \$2,442.00   | 288        | 154         | TCP72031            | \$1,264.00   | 185        | 219         |
| TCF82057E           | \$3,081.00   | 308        | 154         | TCP72032            | \$1,557.00   | 199        | 220         |
| TCF82058E           | \$3,940.00   | 442        | 154         | TCP72033            | \$2,788.00   | 278        | 220         |
| TCF82059E           | \$4,995.00   | 497        | 154         | TCP72034            | \$3,107.00   | 304        | 220         |
| TCF82060E           | \$5,661.00   | 607        | 154         | TCP72035            | \$3,842.00   | 452        | 220         |
| TCF82061E           | \$7,013.00   | 653        | 154         | TCP72036            | \$3,705.00   | 506        | 220         |
| TCF82062E           | \$7,958.00   | 856        | 154         | TCP72037            | \$5,153.00   | 629        | 220         |
| TCF82063E           | \$10,178.00  | 942        | 154         | TCP72038            | \$6,501.00   | 703        | 220         |
| TCF82064E           | \$11,441.00  | 1474       | 154         | TCP74006            | \$1,179.00   | 183        | 219         |
| TCP11005            | \$809.00     | 68         | 218         | TCP74007            | \$1,380.00   | 194        | 220         |
| TCP11006            | \$938.00     | 88         | 218         | TCP74008            | \$1,997.00   | 308        | 220         |
| TCP11029            | \$606.00     | 72         | 217         | TCP74009            | \$3,200.00   | 352        | 220         |
| TCP11030            | \$782.00     | 82         | 218         | TCP74010            | \$2,985.00   | 447        | 220         |
| TCP12005            | \$809.00     | 36         | 218         | TCP74011            | \$3,421.00   | 513        | 220         |
| TCP12006            | \$895.00     | 39         | 218         | TCP74013            | \$6,153.00   | 695        | 220         |
| TCP12029            | \$606.00     | 38         | 217         | TCP81002            | \$661.00     | 44         | 217         |

# Index

| STOCK NUMBER | PRICE       | WT.  | PAGE | STOCK NUMBER | PRICE       | WT. | PAGE   |
|--------------|-------------|------|------|--------------|-------------|-----|--------|
| TCP81003     | \$743.00    | 51   | 217  | TSD61034     | \$3,229.00  | 321 | 177    |
| TCP81004     | \$833.00    |      | 217  | TSD61035     | \$3,579.00  | 473 | 177    |
| TCP81005     | \$990.00    | 79   | 218  | TSD61036     | \$4,470.00  | 499 | 177    |
| TCP81006     | \$1,365.00  | 88   | 218  | TSD61037     | \$5,939.00  | 632 | 177    |
| TCP81026     | \$550.00    | 46   | 217  | TSD61038     | \$6,950.00  | 724 | 177    |
| TCP81027     | \$632.00    |      | 217  | TSD61051     | \$896.00    | 61  | 176    |
| TCP81028     | \$661.00    |      | 217  | TSD61052     | \$1,089.00  | 98  | 176    |
| TCP81029     | \$731.00    |      | 217  | TSD61053     | \$1,216.00  | 107 | 176    |
| TCP81030     | \$863.00    | 103  | 218  | TSD61054     | \$1,485.00  | 158 | 176    |
| TCP81032     | \$1,391.00  |      | 218  | TSD61055     | \$2,089.00  | 193 | 176    |
| TCP81034     | \$2,526.00  | 315  | 218  | TSD61056     | \$2,777.00  | 274 | 176    |
| TCP82002     | \$640.00    | 45   | 217  | TSD61057     | \$3,394.00  | 353 | 176    |
| TCP82003     | \$754.00    | 51   | 217  | TSD61058     | \$4,502.00  | 446 | 176    |
| TCP82004     | \$803.00    | 57   | 217  | TSD61059     | \$5,487.00  | 499 | 177    |
| TCP82005     | \$990.00    | 92   | 218  | TSD61060     | \$6,650.00  | 594 | 177    |
| TCP82006     | \$1,365.00  | 100  | 218  | TSD61061     | \$7,661.00  | 667 | 177    |
| TCP82026     | \$550.00    | 51   | 217  | TSD61062     | \$10,380.00 | 788 | 177    |
| TCP82027     | \$622.00    | 27   | 217  | TSD61063     | \$11,921.00 | 860 | 177    |
| TCP82028     | \$707.00    | 53   | 217  | U6430        | \$215.00    | 8   | 55     |
| TCP82029     | \$731.00    | 114  | 217  | U6431        | \$218.00    | 10  | 55     |
| TCP82030     | \$863.00    | 104  | 218  | U6432        | \$225.00    | 9   | 55     |
| TCP84004     | \$803.00    | 55   | 217  | U6433        | \$230.00    | 8   | 55     |
| TCP84005     | \$990.00    | 42   | 218  | U6520        | \$298.00    | 12  | 55     |
| TCP84029     | \$731.00    | 97   | 217  | U6521        | \$331.00    | 13  | 55     |
| TCP84030     | \$863.00    | 103  | 218  | UB02CWL2F    | \$54.00     | 3   | 12     |
| TCP85004     | \$786.00    | 57   | 217  | UB02CWLA     | \$43.00     | 2   | 14     |
| TCP85005     | \$966.00    | 92   | 218  | UB04CCH      | \$60.00     | 3   | 14     |
| TCP85029     | \$731.00    | 96   | 217  | UB04CCH2F    | \$63.00     | 3   | 12     |
| TCP85030     | \$863.00    | 104  | 218  | UB04CCHA     | \$48.00     | 2   | 14     |
| TS14041      | \$6,871.00  | 1113 | 166  | UB04CCL      | \$55.00     | 3   | 14     |
| TS17039      | \$5,300.00  | 760  | 165  | UB04CCL2F    | \$57.00     | 3   | 12     |
| TS17040      | \$7,379.00  | 837  | 165  | UB04CCLA     | \$48.00     | 2   | 14     |
| TS17041      | \$8,339.00  | 1100 | 166  | UB04CCLA2F   | \$50.00     | 2   | 12     |
| TS17042      | \$9,981.00  | 1237 | 166  | UB04CWH      | \$60.00     | 2   | 14     |
| TS17043      | \$14,418.00 | 1528 | 167  | UB04CWH2F    | \$63.00     | 3   | 12     |
| TS17044      | \$18,218.00 | 1700 | 167  | UB04CWHHA    | \$48.00     | 2   | 14     |
| TS18039      | \$10,486.00 | 946  | 174  | UB04CWL      | \$55.00     | 2   | 14     |
| TS18040      | \$12,217.00 | 1001 | 174  | UB04CWL2F    | \$57.00     | 3   | 12     |
| TS18041      | \$14,119.00 | 1486 | 175  | UB04CWLA     | \$48.00     | 2   | 14     |
| TS18042      | \$17,013.00 | 1907 | 175  | UB05CCLA2F   | \$49.00     | 3   | 12     |
| TS35038      | \$4,901.00  | 638  | 164  | UB05CWL2F    | \$81.00     | 3   | 12, 16 |
| TSD61002     | \$718.00    | 57   | 176  | UB05CWLA2F   | \$44.00     | 2   | 12     |
| TSD61003     | \$814.00    | 66   | 176  | UB06CCL      | \$60.00     | 3   | 14     |
| TSD61004     | \$1,121.00  | 91   | 176  | UB06CCL2F    | \$63.00     | 3   | 12     |
| TSD61005     | \$1,389.00  | 106  | 176  | UB06CCLA     | \$53.00     | 2   | 14     |
| TSD61006     | \$1,677.00  | 162  | 176  | UB06CCLA2F   | \$55.00     | 2   | 12     |
| TSD61007     | \$1,961.00  | 184  | 176  | UB06CWL      | \$60.00     | 3   | 14     |
| TSD61008     | \$2,693.00  | 301  | 176  | UB06CWL2F    | \$63.00     | 3   | 12     |
| TSD61009     | \$3,337.00  | 336  | 177  | UB06CWLA     | \$53.00     | 3   | 14     |
| TSD61010     | \$4,111.00  | 468  | 177  | UB06CWLA2F   | \$55.00     | 2   | 12     |
| TSD61011     | \$4,801.00  | 513  | 177  | UB09CCH      | \$65.00     | 3   | 14     |
| TSD61012     | \$6,333.00  | 614  | 177  | UB09CCH2F    | \$67.00     | 3   | 12     |
| TSD61013     | \$8,193.00  | 697  | 177  | UB09CCHA     | \$61.00     | 3   | 14     |
| TSD61026     | \$730.00    | 54   | 176  | UB09CCHA2F   | \$63.00     | 2   | 12     |
| TSD61027     | \$791.00    | 58   | 176  | UB09CCL      | \$63.00     | 3   | 14     |
| TSD61028     | \$848.00    | 61   | 176  | UB09CCL2F    | \$65.00     | 3   | 12     |
| TSD61029     | \$1,031.00  | 95   | 176  | UB09CCLA     | \$55.00     | 2   | 14     |
| TSD61030     | \$1,205.00  | 111  | 176  | UB09CCLA2F   | \$57.00     | 2   | 12     |
| TSD61031     | \$1,633.00  | 171  | 176  | UB09CWH      | \$65.00     | 3   | 14     |
| TSD61032     | \$1,935.00  | 197  | 176  | UB09CWH2F    | \$67.00     | 3   | 12     |
| TSD61033     | \$2,592.00  | 299  | 176  | UB09CWHHA    | \$61.00     | 3   | 14     |



| STOCK NUMBER | PRICE    | WT. | PAGE | STOCK NUMBER | PRICE      | WT. | PAGE     |
|--------------|----------|-----|------|--------------|------------|-----|----------|
| UB09CWA2F    | \$63.00  | 2   | 12   | UST1102      | \$282.00   | 22  | 197      |
| UB09CWL      | \$63.00  | 3   | 14   | UST1152      | \$321.00   | 26  | 197      |
| UB09CWL2F    | \$65.00  | 3   | 12   | UST1202      | \$428.00   | 33  | 197      |
| UB09CWLA     | \$55.00  | 2   | 14   | UST1252      | \$520.00   | 35  | 197      |
| UB09CWLA2F   | \$57.00  | 2   | 12   | USTG1102A    | \$549.00   | 24  | 195      |
| UB16CCHV1    | \$85.00  | 4   | 14   | USTG1152A    | \$619.00   | 27  | 195      |
| UB16CCHV12F  | \$87.00  | 4   | 12   | V100         | \$622.00   | 35  | 144      |
| UB16CCLA     | \$66.00  | 3   | 14   | V101         | \$705.00   | 41  | 144      |
| UB16CCLV1    | \$85.00  | 2   | 14   | V102         | \$894.00   | 42  | 144      |
| UB16CCLV12F  | \$87.00  | 4   | 12   | V106         | \$921.00   | 42  | 145      |
| UB16CWHA     | \$68.00  | 13  | 14   | V108         | \$844.00   | 42  | 145      |
| UB16CWHV1    | \$85.00  | 4   | 14   | V110         | \$705.00   | 37  | 144      |
| UB16CWHV12F  | \$87.00  | 4   | 12   | V200         | \$1,055.00 | 60  | 144      |
| UB16CWLA     | \$66.00  | 3   | 14   | V201         | \$1,137.00 | 78  | 144, 182 |
| UB16CWL1     | \$85.00  | 5   | 14   | V202         | \$1,119.00 | 80  | 145      |
| UB16CWL12F   | \$87.00  | 4   | 12   | V203         | \$1,254.00 | 94  | 145      |
| UB023CWLA    | \$44.00  | 2   | 14   | V208         | \$1,121.00 | 84  | 182      |
| UB025CWL     | \$51.00  | 3   | 14   | V209         | \$1,040.00 | 84  | 144, 189 |
| UCT1072      | \$328.00 | 22  | 197  | V210         | \$1,153.00 | 68  | 144      |
| UCT1102      | \$360.00 | 25  | 197  | V211         | \$1,149.00 | 82  | 144, 182 |
| UCT1152      | \$400.00 | 27  | 197  | V212         | \$1,294.00 | 96  | 145      |
| UH1016       | \$259.00 | 13  | 59   | V214         | \$1,950.00 | 96  | 209      |
| UH1016NB     | \$249.00 | 14  | 59   | V220         | \$2,128.00 | 96  | 209      |
| UH1016NBV1   | \$249.00 | 12  | 59   | V303         | \$2,311.00 | 156 | 144, 189 |
| UH1016V1     | \$259.00 | 13  | 59   | V304         | \$1,598.00 | 110 | 144      |
| UH1026       | \$282.00 | 13  | 60   | V305         | \$1,764.00 | 158 | 144, 189 |
| UH1026NB     | \$269.00 | 13  | 60   | V308         | \$2,061.00 | 151 | 187      |
| UH1026V1     | \$282.00 | 13  | 60   | V310         | \$2,094.00 | 98  | 144      |
| UH1036       | \$287.00 | 16  | 61   | V311         | \$2,576.00 | 107 | 144      |
| UH1036NB     | \$272.00 | 16  | 61   | V1104BL      | \$410.00   | 32  | 87       |
| UH1036V1     | \$284.00 | 13  | 61   | V1154B       | \$424.00   | 42  | 87       |
| UHH1026      | \$286.00 | 14  | 60   | V1204B       | \$472.00   | 36  | 87       |
| UHH1036      | \$289.00 | 13  | 61   | V2054B       | \$183.00   | 16  | 87       |
| UHH1036NB    | \$276.00 | 15  | 61   | V205M        | \$1,365.00 | 96  | 144      |
| UQC1072      | \$312.00 | 24  | 201  | VB2034       | \$149.00   | 13  | 87       |
| UQC1102      | \$344.00 | 25  | 201  | VB2034B      | \$158.00   | 15  | 87       |
| UQC1152      | \$371.00 | 30  | 201  | VB2054       | \$176.00   | 15  | 87       |
| UQS1102R     | \$504.00 | 26  | 202  | VB2054B      | \$183.00   | 6   | 87       |
| UQS1152R     | \$516.00 | 31  | 202  | VB2074       | \$218.00   | 15  | 87       |
| UQS1202R     | \$621.00 | 33  | 202  | VB2074B      | \$247.00   | 18  | 87       |
| US1016       | \$262.00 | 12  | 59   | W200         | \$2,990.00 | 103 | 229, 253 |
| US1016NB     | \$240.00 | 11  | 59   | W201         | \$3,601.00 | 110 | 229, 253 |
| US1026       | \$283.00 | 13  | 60   | W202         | \$3,622.00 | 110 | 229, 253 |
| US1026NB     | \$241.00 | 12  | 60   | W244         | \$3,058.00 | 126 | 230      |
| US1036       | \$274.00 | 15  | 61   | W245         | \$2,593.00 | 103 | 230      |
| US1036NB     | \$258.00 | 15  | 61   | W260         | \$3,615.00 | 178 | 230      |
| USN1102      | \$409.00 | 27  | 211  | W261         | \$3,288.00 | 114 | 230      |
| USN1152      | \$447.00 | 33  | 211  | W281         | \$5,768.00 | 173 | 230      |
| USN1202      | \$499.00 | 35  | 211  | XEL2014      | \$157.00   | 14  | 91       |
| USN1252      | \$557.00 | 37  | 211  | YA2020       | \$306.00   | 14  | 89       |
| USN1302      | \$720.00 | 39  | 211  | YA2030       | \$328.00   | 15  | 89       |
| USQ1052      | \$247.00 | 17  | 201  | YA2054       | \$438.00   | 21  | 89       |
| USQ1072      | \$258.00 | 18  | 201  |              |            |     |          |
| USQ1102      | \$289.00 | 22  | 201  |              |            |     |          |
| USQ1152      | \$336.00 | 26  | 201  |              |            |     |          |
| USQ1202      | \$431.00 | 29  | 201  |              |            |     |          |
| USQ1252      | \$535.00 | 32  | 201  |              |            |     |          |
| USQG1072A    | \$525.00 | 27  | 195  |              |            |     |          |
| USQG1102A    | \$562.00 | 28  | 195  |              |            |     |          |
| USQG1152A    | \$640.00 | 28  | 195  |              |            |     |          |
| UST1072      | \$253.00 | 20  | 197  |              |            |     |          |

# Index- Parts & Accessories

| STOCK NO.  | PRICE    | WT.  | PAGE | STOCK NO.  | PRICE    | WT.  | PAGE | STOCK NO.  | PRICE    | WT.   | PAGE |
|------------|----------|------|------|------------|----------|------|------|------------|----------|-------|------|
| 260B913H01 | \$1.00   | 0.01 | 239  | 1365A      | \$29.00  | 0.25 | 237  | 615157     | \$24.00  | 0.79  | 241  |
| 1177A      | \$17.00  | 0.25 | 237  | 1366A      | \$38.00  | 0.98 | 240  | 615467-001 | \$35.00  | 1.30  | 241  |
| 1180A      | \$20.00  | 0.25 | 238  | 1376A      | \$18.00  | 0.08 | 240  | 615467-002 | \$31.00  | 0.08  | 241  |
| 1181A      | \$10.00  | 0.08 | 238  | 1377A      | \$31.00  | 0.25 | 240  | 616672     | \$7.00   | 0.10  | 239  |
| 1182A      | \$10.00  | 0.21 | 238  | 1378A      | \$38.00  | 0.25 | 240  | 619432-105 | \$10.00  | 0.10  | 239  |
| 1183A      | \$10.00  | 0.25 | 237  | 1379A      | \$33.00  | 0.25 | 240  | 619432-111 | \$10.00  | 0.10  | 239  |
| 1202A      | \$24.00  | 0.25 | 239  | 1380A      | \$38.00  | 0.25 | 240  | 619432-112 | \$10.00  | 0.10  | 239  |
| 1204A      | \$10.00  | 0.25 | 237  | 1381A      | \$24.00  | 0.25 | 240  | 619432-113 | \$16.00  | 0.10  | 239  |
| 1205       | \$4.00   | 0.25 | 238  | 1383A      | \$20.00  | 0.22 | 236  | 619432-169 | \$8.00   | 0.01  | 238  |
| 1205       | \$43.00  | 0.25 | 238  | 1386       | \$39.00  | 1.40 | 240  | 619432-174 | \$37.00  | 0.80  | 241  |
| 1207       | \$47.00  | 0.25 | 238  | 1387A      | \$16.00  | 0.08 | 238  | 619432-192 | \$34.00  | 0.85  | 241  |
| 1209       | \$28.00  | 0.25 | 238  | 1407A      | \$119.00 | 0.36 | 239  | 625295     | \$42.00  | 1.40  | 241  |
| 1211       | \$30.00  | 0.93 | 238  | 1408A      | \$173.00 | 0.80 | 239  | 626000-001 | \$155.00 | 1.00  | 239  |
| 1212       | \$29.00  | 0.80 | 238  | 1410A      | \$30.00  | 0.90 | 240  | 626137     | \$4.00   | 0.13  | 235  |
| 1216A      | \$27.00  | 0.46 | 239  | 1411A      | \$25.00  | 0.25 | 236  | 700027     | \$4.00   | 0.13  | 235  |
| 1217A      | \$26.00  | 0.10 | 239  | 1412A      | \$27.00  | 0.20 | 236  | 700046     | \$7.00   | 0.13  | 235  |
| 1218A      | \$22.00  | 0.28 | 240  | 1414A      | \$24.00  | 0.17 | 236  | 700047     | \$5.00   | 0.13  | 235  |
| 1219A      | \$16.00  | 0.25 | 238  | 1419       | \$34.00  | 0.25 | 238  | 700048     | \$5.00   | 0.13  | 235  |
| 1220A      | \$14.00  | 0.25 | 238  | 1422       | \$31.00  | 0.25 | 238  | 700049     | \$7.00   | 0.13  | 235  |
| 1221A      | \$12.00  | 0.25 | 238  | 1475A      | \$29.00  | 0.43 | 237  | 891095     | \$7.00   | 0.00  | 243  |
| 1223A      | \$30.00  | 0.80 | 240  | 1479       | \$38.00  | 1.36 | 240  | 1010200    | -        | 6.00  | 242  |
| 1226       | \$29.00  | 0.25 | 238  | 1482A      | \$14.00  | 0.13 | 237  | 1010201    | -        | 8.00  | 242  |
| 1229       | \$23.00  | 0.86 | 238  | 1483A      | \$52.00  | 0.25 | 237  | 1010203    | -        | 17.00 | 242  |
| 1230A      | \$17.00  | 0.18 | 237  | 1487A      | \$36.00  | 0.18 | 237  | 1010205    | -        | 29.00 | 242  |
| 1231A      | \$29.00  | 0.04 | 237  | 1488A      | \$40.00  | 0.11 | 235  | 1010207    | -        | 40.00 | 242  |
| 1233A      | \$105.00 | 0.25 | 239  | 1495       | \$44.00  | 1.36 | 240  | 1010208    | -        | 51.00 | 242  |
| 1234A      | \$165.00 | 0.25 | 239  | 1618A      | \$10.00  | 0.25 | 236  | 1010211    | -        | 1.00  | 242  |
| 1236A      | \$35.00  | 0.13 | 236  | 1619A      | \$10.00  | 0.25 | 236  | 1010212    | -        | 2.00  | 242  |
| 1254A      | \$13.00  | 0.25 | 235  | 1639A      | \$15.00  | 0.25 | 236  | 1010213    | -        | 3.00  | 242  |
| 1255A      | \$17.00  | 0.08 | 238  | 1640A      | \$15.00  | 0.24 | 236  | 1010214    | -        | 6.00  | 242  |
| 1256A      | \$25.00  | 0.30 | 239  | 2044       | \$26.00  | 0.25 | 238  | 1010215    | -        | 8.00  | 242  |
| 1257A      | \$27.00  | 0.25 | 239  | 2061       | \$35.00  | 0.25 | 238  | 1010216    | -        | 12.00 | 242  |
| 1263A      | \$26.00  | 0.10 | 238  | 2062       | \$35.00  | 1.50 | 238  | 1010223    | -        | 6.00  | 242  |
| 1264A      | \$6.00   | 0.25 | 235  | 2063       | \$37.00  | 1.04 | 238  | 1010224    | -        | 6.00  | 242  |
| 1292       | \$29.00  | 0.25 | 238  | 2064A      | \$17.00  | 0.09 | 236  | 1010225    | -        | 9.00  | 242  |
| 1293       | \$28.00  | 0.25 | 238  | 2087A      | \$13.00  | 0.05 | 236  | 1010226    | -        | 15.00 | 242  |
| 1295A      | \$30.00  | 0.10 | 237  | 2090       | \$47.00  | 0.66 | 238  | 1010227    | -        | 26.00 | 242  |
| 1296A      | \$26.00  | 0.25 | 239  | 2094A      | \$47.00  | 0.25 | 240  | 1010228    | -        | 26.00 | 242  |
| 1300A      | \$47.00  | 0.12 | 237  | 2097A      | \$21.00  | 0.25 | 236  | 1010230    | -        | 1.00  | 242  |
| 1302A      | \$35.00  | 0.08 | 237  | 2098A      | \$31.00  | 0.53 | 236  | 1010232    | -        | 1.00  | 242  |
| 1304A      | \$36.00  | 0.25 | 237  | 2116       | \$8.00   | 0.19 | 237  | 1010234    | -        | 1.00  | 242  |
| 1305A      | \$47.00  | 0.25 | 237  | 2117       | \$5.00   | 0.60 | 235  | 1010235    | -        | 2.00  | 242  |
| 1306A      | \$35.00  | 0.25 | 237  | 2118       | \$9.00   | 0.34 | 237  | 1010236    | -        | 2.00  | 242  |
| 1307A      | \$25.00  | 0.29 | 237  | 2211       | \$12.00  | 0.25 | 235  | 1010238    | -        | 2.00  | 242  |
| 1308A      | \$21.00  | 0.25 | 237  | 2212       | \$12.00  | 0.25 | 235  | 1010246    | -        | 9.00  | 242  |
| 1310A      | \$21.00  | 0.17 | 237  | 2217       | \$12.00  | 0.25 | 235  | 1010247    | -        | 14.00 | 242  |
| 1320A      | \$31.00  | 0.66 | 240  | 2218       | \$12.00  | 0.25 | 235  | 1010248    | -        | 20.00 | 242  |
| 1322A      | \$35.00  | 0.18 | 239  | 2235       | \$15.00  | 0.25 | 235  | 1010249    | -        | 31.00 | 242  |
| 1327A      | \$34.00  | 0.25 | 240  | 2256       | \$16.00  | 0.20 | 235  | 1010250    | -        | 48.00 | 242  |
| 1328A      | \$34.00  | 0.38 | 240  | 2267       | \$17.00  | 0.25 | 235  | 1010251    | -        | 75.00 | 242  |
| 1329A      | \$44.00  | 0.80 | 240  | 2268       | \$17.00  | 0.25 | 235  | 1010254    | -        | 0.03  | 242  |
| 1330A      | \$20.00  | 0.14 | 236  | 2271       | \$7.00   | 0.25 | 235  | 1010255    | -        | 0.01  | 242  |
| 1340       | \$33.00  | 0.25 | 238  | 2272       | \$7.00   | 0.25 | 235  | 1010256    | -        | 1.50  | 242  |
| 1342       | \$34.00  | 0.25 | 238  | 2273       | \$7.00   | 0.25 | 235  | 1010257    | -        | 1.00  | 242  |
| 1343       | \$27.00  | 0.25 | 238  | 2274       | \$8.00   | 0.25 | 235  | 1010258    | -        | 1.50  | 242  |
| 1347       | \$30.00  | 0.25 | 238  | 613156-003 | \$5.00   | 0.04 | 238  | 1010259    | -        | 2.00  | 242  |
| 1364A      | \$35.00  | 1.02 | 240  | 615059-001 | \$37.00  | 0.34 | 241  | 1010263    | -        | 10.00 | 242  |

## Index- Parts & Accessories

| STOCK NO.   | PRICE    | WT.    | PAGE | STOCK NO. | PRICE    | WT.   | PAGE | STOCK NO. | PRICE    | WT.  | PAGE |
|-------------|----------|--------|------|-----------|----------|-------|------|-----------|----------|------|------|
| 1010264     | -        | 5.00   | 242  | 31623902  | \$92.00  | 4.61  | 243  | POCF35    | \$9.00   | 0.10 | 234  |
| 1010265     | -        | 10.00  | 242  | 31623903  | \$124.00 | 7.05  | 243  | POCF4     | \$3.00   | 0.20 | 234  |
| 1010266     | -        | 9.00   | 242  | 31623904  | \$302.00 | 9.00  | 243  | POCF40    | \$10.00  | 0.70 | 234  |
| 1010267     | -        | 20.00  | 242  | 31623905  | \$238.00 | 9.00  | 243  | POCF45    | \$10.00  | 0.70 | 234  |
| 1010268     | -        | 20.00  | 242  | 31623906  | \$203.00 | 9.33  | 243  | POCF5     | \$3.00   | 0.20 | 234  |
| 1010275     | -        | 7.00   | 242  | 31623907  | \$376.00 | 11.00 | 243  | POCF50    | \$12.00  | 0.60 | 234  |
| 1010276     | -        | 26.00  | 242  | 31623908  | \$380.00 | 15.00 | 243  | POCF55    | \$12.00  | 1.00 | 234  |
| 1010277     | -        | 9.03   | 242  | 31623909  | \$216.00 | 13.00 | 243  | POCF75    | \$4.00   | 0.30 | 234  |
| 1010278     | -        | 4.00   | 242  | 31623910  | \$270.00 | 20.00 | 243  | PRC15     | \$4.00   | 0.20 | 234  |
| 1010279     | -        | 8.00   | 242  | 31623911  | \$427.00 | 19.09 | 243  | PRC175    | \$5.00   | 0.30 | 234  |
| 1010280     | -        | 12.00  | 242  | 31623912  | \$343.00 | 23.60 | 243  | PRC20     | \$5.00   | 0.40 | 234  |
| 1010281     | -        | 14.00  | 242  | 31623915  | \$388.00 | 31.34 | 243  | PRC25     | \$5.00   | 0.36 | 234  |
| 1010282     | -        | 16.00  | 242  | 31623916  | \$623.00 | 29.70 | 243  | PRC30     | \$8.00   | 0.40 | 234  |
| 1010285     | -        | 0.15   | 242  | HFM55     | \$29.00  | 1.06  | 241  | PRC35     | \$8.00   | 0.36 | 234  |
| 1010286     | -        | 0.01   | 242  | HFM554    | \$37.00  | 1.11  | 241  | PRC40     | \$9.00   | 0.36 | 234  |
| 1010287     | -        | 0.01   | 242  | PMJ1000   | \$28.00  | 0.40  | 234  | PRC45     | \$10.00  | 0.54 | 234  |
| 1010288     | -        | 0.15   | 242  | PMJ108    | \$9.00   | 0.10  | 234  | PRC50     | \$10.00  | 0.60 | 234  |
| 1010289     | -        | 1.00   | 242  | PMJ124    | \$10.00  | 0.20  | 234  | PRCF125   | \$17.00  | 0.50 | 234  |
| 1010290     | -        | 1.00   | 242  | PMJ130    | \$10.00  | 0.20  | 234  | PRMJ124   | \$30.00  | 0.20 | 234  |
| 1010291     | -        | 0.15   | 242  | PMJ145    | \$10.00  | 0.20  | 234  | PRMJ130   | \$31.00  | 0.10 | 234  |
| 1010292     | -        | 0.01   | 242  | PMJ161    | \$10.00  | 0.30  | 234  | PRMJ145   | \$36.00  | 0.01 | 234  |
| 1010293     | -        | 0.01   | 242  | PMJ189    | \$10.00  | 0.20  | 234  | PRMJ189   | \$40.00  | 0.20 | 234  |
| 1010294     | -        | 0.56   | 242  | PMJ216    | \$11.00  | 0.20  | 234  | PRMJ216   | \$44.00  | 1.00 | 234  |
| 1010295     | -        | 0.02   | 242  | PMJ243    | \$12.00  | 0.09  | 234  | PRMJ30    | \$17.00  | 0.40 | 234  |
| 1010298     | -        | 0.03   | 242  | PMJ270    | \$12.00  | 0.01  | 234  | PRMJ53    | \$20.00  | 0.40 | 234  |
| 1010299     | -        | 0.01   | 242  | PMJ324    | \$13.00  | 0.20  | 234  | PRMJ88    | \$23.00  | 0.50 | 234  |
| 1010300     | -        | 0.01   | 242  | PMJ340    | \$14.00  | 0.40  | 234  | PSMJ124   | \$12.00  | 0.50 | 234  |
| 1010301     | -        | 0.01   | 242  | PMJ378    | \$14.00  | 0.34  | 234  | PSMJ130   | \$12.00  | 0.50 | 234  |
| 1010302     | -        | 0.03   | 242  | PMJ400    | \$14.00  | 0.40  | 234  | PTMJ108   | \$20.00  | 0.36 | 234  |
| 1010303     | -        | 1.00   | 242  | PMJ460    | \$16.00  | 0.36  | 234  | PTMJ124   | \$21.00  | 0.40 | 234  |
| 1010784-001 | \$4.00   | 0.01   | 235  | PMJ540    | \$20.00  | 0.44  | 234  | PTMJ130   | \$22.00  | 0.40 | 234  |
| 10044701    | \$3.00   | 0.01   | 243  | PMJ590    | \$20.00  | 0.10  | 234  | PTMJ145   | \$33.00  | 0.20 | 234  |
| 10301702    | \$23.00  | 0.76   | 243  | PMJ708    | \$24.00  | 0.02  | 234  | PTMJ161   | \$24.00  | 0.44 | 234  |
| 10392002    | \$30.00  | 1.61   | 241  | PMJ829    | \$25.00  | 0.60  | 234  | PTMJ189   | \$25.00  | 0.54 | 234  |
| 10909202    | \$31.00  | 1.65   | 241  | POC10     | \$3.00   | 0.70  | 234  | PTMJ21    | \$14.00  | 0.19 | 234  |
| 17090001    | \$302.00 | 0.03   | 241  | POC125    | \$4.00   | 0.36  | 234  | PTMJ216   | \$28.00  | 0.63 | 234  |
| 30868104    | \$60.00  | 5.00   | 243  | POC15     | \$5.00   | 0.80  | 234  | PTMJ233   | \$29.00  | 0.60 | 234  |
| 30868105    | \$60.00  | 5.51   | 243  | POC175    | \$5.00   | 0.50  | 234  | PTMJ270   | \$33.00  | 0.60 | 234  |
| 30868106    | \$64.00  | 9.00   | 243  | POC2      | \$3.00   | 0.19  | 234  | PTMJ30    | \$14.00  | 0.20 | 234  |
| 30868107    | \$64.00  | 9.01   | 243  | POC20     | \$5.00   | 0.80  | 234  | PTMJ53    | \$14.00  | 0.23 | 234  |
| 30868108    | \$77.00  | 12.82  | 243  | POC25     | \$5.00   | 0.90  | 234  | PTMJ72    | \$16.00  | 0.60 | 234  |
| 30868109    | \$77.00  | 14.09  | 243  | POC3      | \$3.00   | 0.20  | 234  | PTMJ88    | \$17.00  | 0.37 | 234  |
| 30868110    | \$129.00 | 17.00  | 243  | POC30     | \$7.00   | 0.40  | 234  | W706      | \$218.00 | 2.50 | 232  |
| 30868111    | \$129.00 | 18.19  | 243  | POC35     | \$8.00   | 0.01  | 234  | W713      | \$246.00 | 0.70 | 232  |
| 30868112    | \$146.00 | 19.99  | 243  | POC4      | \$3.00   | 0.01  | 234  | W729      | \$96.00  | 2.20 | 232  |
| 30868113    | \$146.00 | 23.00  | 243  | POC40     | \$9.00   | 1.10  | 234  | W730      | \$188.00 | 0.50 | 232  |
| 30868114    | \$216.00 | 26.98  | 243  | POC45     | \$10.00  | 0.30  | 234  | W731      | \$14.00  | 0.04 | 232  |
| 30868115    | \$216.00 | 27.88  | 243  | POC5      | \$2.00   | 0.20  | 234  | W732      | \$21.00  | 2.00 | 232  |
| 30868116    | \$257.00 | 50.00  | 243  | POC50     | \$11.00  | 0.36  | 234  | W770      | \$487.00 | 3.00 | 232  |
| 30868117    | \$257.00 | 45.81  | 243  | POC6      | \$3.00   | 0.90  | 234  |           |          |      |      |
| 30868118    | \$412.00 | 89.00  | 243  | POC75     | \$3.00   | 0.26  | 234  |           |          |      |      |
| 30868119    | \$412.00 | 80.00  | 243  | POCF10    | \$4.00   | 0.30  | 234  |           |          |      |      |
| 30868120    | \$487.00 | 108.00 | 243  | POCF15    | \$5.00   | 0.20  | 234  |           |          |      |      |
| 30868121    | \$487.00 | 88.00  | 243  | POCF25    | \$9.00   | 0.70  | 234  |           |          |      |      |
| 30868130    | \$592.00 | 110.00 | 243  | POCF3     | \$3.00   | 0.50  | 234  |           |          |      |      |
| 31623901    | \$77.00  | 2.00   | 243  | POCF30    | \$8.00   | 0.30  | 234  |           |          |      |      |

# Century Distributor Terms and Conditions

- 1) Prices are those in effect at time of shipment. Prices are subject to change without notice.
- 2) A minimum charge of \$25.00 will apply to any parts order which is less than \$25.00.
- 3) Freight Policy: Stock Motors
  - a) All shipments are F.O.B. shipping point.
  - b) On single release orders for 35 or more motors (or 1,200 pounds) Century ships prepaid to the first destination within the continental U.S. method of shipment is at the discretion of Century.
  - c) Each release order less than 35 motors (or less than 1,200 pounds) will be shipped freight prepaid to the first destination with the freight charge added to the invoice. If the customer specifies the carrier on a charge freight order, the order will be shipped freight collect to the first destination.
  - d) Air shipment or other premium shipping method may be specified at the customer's expense.
  - e) Replacement parts and accessories ordered and shipped with motors will be shipped in accordance with the applicable motor freight policy.
  - f) Replacement parts and accessories ordered separately from motors will be shipped prepaid and charged on the invoice.
  - g) Drop Shipments: for orders of less than 35 motors of 48 frame and smaller sizes; a 5% price premium PLUS freight will be added to the invoice.
  - h) Drop Shipments: for orders of, 35 or more motors of 48 frame and smaller sizes; a 5% price premium will be added to the invoice, freight will be prepaid.
- 4) Freight is prepaid with the freight added to the invoice on all orders for Non Stock Special Build motors regardless of quantity.
- 5) Damaged merchandise or carton shortages must be reported by the wholesaler directly to the carrier. Deductions will not be allowed as Century's responsibility ends with consignment to the carrier.
- 6) Claims for shortages must be reported within five business days following the date of delivery. Shortages must also be noted on the freight bill.
- 7) Terms: Net 30 days to all customers having approved credit standing.
- 8) Possession of this price list does not constitute an offer to sell.
- 9) Stock motors or parts cannot be returned without return authorization. All merchandise returned without authorization will be refused.
- 10) All stock motor returns will receive a 20% restocking charge. Customer pays return freight. All returns must be within 30 days from date of shipment and be new, in original packaging as received and the package must be clean and unmarked. No Returns after 30 days.

Revised: 2//2012

# MOTOR SELECTION HELP

PLEASE COMPLETE ALL INFORMATION

Customer \_\_\_\_\_

Motor Manufacturer \_\_\_\_\_

Phone \_\_\_\_\_

Motor Model No. \_\_\_\_\_

Fax \_\_\_\_\_

## MOTOR APPLICATION

- Pump
- Air Moving: Belt or Direct Drive
- General Purpose
- Other:

## MECHANICAL

- Frame Size:

## SHAFT

- Shaft: Single or Double
- Shaft Dia. (if not NEMA)
- Shaft length (if critical): \_\_\_\_\_

## MOUNTING

- Belly Band
- Flange
- Rigid Base
- Resilient Base
- Lug Mount
- Other:

## ENCLOSURE

- Open
- ODP
- TEFC
- TENV
- TEAO
- Hazardous
- Other:

## BEARINGS

- Ball
- Sleeve

DUTY CYCLE \_\_\_\_\_

INSULATION \_\_\_\_\_

## ELECTRICAL

- Volts
- Frequency: 50 or 60
- Horsepower:
- Amps:
- Speeds (if multiple):
- Rotation (lead end): CW or CCW
- Thermal Protection:  
Auto, Manual, None
- Service Factor
- RPM:

## MOTOR TYPE

- Single Phase
  - Shaded Pole
  - PSC
  - Split Phase
  - Capacitor Start
  - Capacitor Start and Run
- Three Phase

## Possible Replacement or OEM Reference:

---

---

IT IS YOUR RESPONSIBILITY TO  
CONFIRM THE ACCEPTABILITY OF  
THIS SUGGESTED REPLACEMENT.

Fax to (800) 468-2062 for fastest service.

# Statement of Warranty Policy

## Warranty Period

All Century® motors are warranted against defects in materials and workmanship for a period of twelve (12) months from the date of installation or twenty-four months (24) from the date of manufacture, whichever comes first except for E-Plus®3 Integral Horsepower Motors and HeatMaster® Condenser Fan Motors which are warranted for twenty-four months (24) from date of installation and thirty-six (36) months from date of manufacture, whichever comes first.

## Limitation of Remedy

In the event of a breach of the warranty within the applicable warranty period, Century shall have the option of (1) repairing such motor; (2) supplying an identical or substantially similar replacement motor FOB, Century's factory; or (3) refunding or giving credit for the purchase price of such motor.

The remedy set forth above shall be the sole and exclusive remedy for the motors failing within the applicable warranty period. Century, shall not be liable for any lost profits, loss of use, or any other consequential, special or incidental damages.

## DISCLAIMER OF IMPLIED WARRANTIES

EXCEPT AS MAY BE REQUIRED UNDER APPLICABLE LAW, THE LIMITED WARRANTY SET FORTH ABOVE IS THE EXCLUSIVE WARRANTY PROVIDED WITH THE MOTORS. ALL OTHER WARRANTIES, WHETHER WRITTEN OR VERBAL, EXPRESSED OR IMPLIED, INCLUDING THE IMPLIED WARRANTIES OF MERCHANTABILITY AND FITNESS FOR A PARTICULAR PURPOSE ARE EXPRESSLY DISCLAIMED BY CENTURY.

## Conditions of Warranty

This limited warranty shall be void and of no effect if:

1. The motor has been subjected to improper handling, storage or installation, or subject to abuse or unauthorized repairs;
2. The motor was not suitable for the application or operated above its rated load; or
3. The motor was subject to water damage including motor bearing failures resulting from pump seal failures.

## Authorized Location

Defective motors which have failed during the applicable warranty period must be returned freight prepaid to a Century's authorized distributor. Call 800-672-6495.

## How to Read Date Codes on Motor Nameplates & Labels

As of August 2006 a common date code format for all motors is being used. It consists of seven alpha-numeric characters. The first three characters represent the day of the year based on the Julian calendar, the next two the year, and the last two the plant code. For example, 123064M, would mean the 123rd day of 2006 (May 3, 2006) in Regal's Juarez IGMEX4 plant. Users and distributors may visit our website [centuryelectricmotor.com](http://centuryelectricmotor.com) to access our 'date code converter,' as well as applicable warranty forms.



The date codes utilized prior to the conversion to our current format are listed below for your reference.

### Century Product

Plant code–Month–Year. Example: 7B99. 7 is a plant code designation, B is the month (January is A, February is B, etc.) and 99 is the year. Century®, Indiana General, Louis Allis Product

Year code–Month. Example: BA3. BA is the year (see table below). 3 is the month (1-12).

|      |    |      |    |      |    |      |    |      |    |
|------|----|------|----|------|----|------|----|------|----|
| 1992 | BK | 1996 | BP | 2000 | BU | 2004 | BZ | 2008 | CD |
| 1993 | BL | 1997 | BR | 2001 | BW | 2005 | CA | 2009 | CE |
| 1994 | BM | 1998 | BS | 2002 | BX | 2006 | CB | 2010 | CF |
| 1995 | BN | 1999 | BT | 2003 | BY | 2007 | CC |      |    |

### Universal® Product

Week (1-52), Year (Letter code from table below), Factory order number code, Plant code.

Example: 8 Z 0275592 R. 8 is the 8th week of the year, Z is the year (1988), 027592 is the factory order code, R is the plant code (Ripley).

|      |   |      |   |      |   |      |   |      |   |
|------|---|------|---|------|---|------|---|------|---|
| 1992 | D | 1996 | H | 2000 | M | 2004 | S | 2008 | W |
| 1993 | E | 1997 | J | 2001 | N | 2005 | T | 2009 | X |
| 1994 | F | 1998 | K | 2002 | P | 2006 | U |      |   |
| 1995 | G | 1999 | L | 2003 | R | 2007 | V |      |   |



# New! Fan Canopy

THE EVOLUTION CONTINUES...

Single &  
Three Phase  
Designs



# HeatMaster®

## More New Models

Our high ambient, class F insulation line now includes eleven new commercial condenser fan canopy motors, seven single-phase and four three-phase models.

- Our expanded line is built with UL and CSA recognized Class F insulation for 70°C (158°F) ambient conditions providing longer motor life in commercial applications.
- Ultra-high-torque designs mean the HeatMaster motors work in even the toughest applications.
- Our patented fan canopy is made from high-temperature Olesafe 2360 polypropylene keeps the rain out and cools the motor for extended operation.

### The Customer Is Always Right

"The HeatMaster motor is becoming very popular with contractors. The high temperature application, thru bolts and all-angle mount are preferred over other condenser motors. The three-year warranty is a great bonus!"

*Rich Snyder, Johnstone Supply – Lansing, MI*

"The HeatMaster motor line is a product offering that has been needed in the industry for a long time."

*Joe Gregory, A-1 Electric Motor – Park Hill, KY*

"We have customers coming in looking for the 70°C motor. You guys hit a home run on this one."

*Karl Weiss, ARS – Scottsdale, AZ*

To learn more about the complete line of Class F HeatMaster motors visit your local Century Distributor or visit our website and download bulletin # 6025A at [www.hvac-motors.com](http://www.hvac-motors.com)



Formerly A. O. Smith Electrical Products Company

© 2012 Regal-Beloit Corporation

REGAL

Product listed on page **75, 79-83** of this catalog

"One Simple Connection  
is all you need"

"New"

1/2 HP Motors  
Now Available!

4-in-1®



## NOW 17 MODELS TO CHOOSE FROM!

We are revolutionizing the world of electric motors...with one simple connection!

Century's new expanded line of 4-in-1® motors replace hundreds of the most popular 1/2-1/15 hp, 48-frame condenser fan motors currently installed with "one simple connection."

No capacitors to switch or complicated wiring diagrams to follow.

### What could be simpler?

Our 4-in-1® motors come in energy-efficient PSC designs, are rated for 1/2-1/15 hp, 208-230 and 460 volt, 825 or 1075 rpm, with totally enclosed construction and are available in all angle sleeve bearing or rugged ball bearing designs.

Class B, 60°C (140°F) AMB  
Class F, 70°C (158°F) AMB



These 4-in-1® motors allow the service contractor to have the right motor for the job for quicker service calls. That means more calls completed per day!

For more information on 4-in-1® replacement motors, visit our website and download bulletin #6001D at: [www.hvac-motors.com](http://www.hvac-motors.com)



Formerly A. O. Smith Electrical Products Company

© 2012 Regal-Beloit Corporation

REGAL

Product listed on page **75** of this catalog

**YOU WILL BELIEVE  
ONE MOTOR CAN FIT**

**NOW...  
1075 & 1625 RPM**

## "Century's Modern Math"



Three MultiFit® motor models, 1625 RPM and 1075 RPM, replace 1/4, 1/5, 1/6, 1/8, 1/10 and 1/12 horsepower CW and CCW rotation motors with one simple connection. The MultiFit motor is designed to replace all the common condenser fan 42-frame (5" dia. ) and clam-shell motors found in the HVAC market.

### Look What Our Customers Are Saying

"Such a well engineered and thought out product. Makes for a one-stop service call. I replaced my fan motor at home and was up and running in 15 minutes!"  
*Riley Davis, Charles D. Jones - Kansas City, MO*

"The MultiFit motor is a good investment for truck stock. "Time is money" and this motor will mean a big reduction in trips back for replacement motors and add to your productivity in the field. Every service truck in the field will benefit from this motor."  
*William Kerr, United Refrigeration Co. - Philadelphia, PA*

For more information about the original MultiFit motor contact your local Century Distributor or visit our website and download bulletin # 6027A at: [www.hvac-motors.com](http://www.hvac-motors.com)



Formerly A. O. Smith Electrical Products Company

© 2012 Regal-Beloit Corporation

REGAL

Product listed on page 56 of this catalog

# Masterfit® Pro

## Replacement Motors

"A Treasure Chest of Innovation"

### New! 277V Motors

#### features

- Energy Efficient
- 60 Hertz
- Permanent Split Capacitor
- Reversible
- All Purpose Capacitor Included
- Extended Thru Bolts
- Rheem Mounting Holes in Shell
- 40°C Ambient, Class B Insulation for Blower Motors
- 70°C Ambient, Class F Insulation for Condenser Fan Motors

**All-Purpose Capacitor Included!**

Formerly A. O. Smith Electrical Products Company

© 2012 Regal-Beloit Corporation

REGAL

Product listed on page 73 of this catalog





Formerly A. O. Smith Electrical Products Company  
A Regal Brand



## V-Green

- Variable speed ECM design with integrated user interface
- Capable of delivering up to 80% savings
- Three variable speeds and two manual overrides (high and low)
- Adjustable freeze protection feature
- Battery backup, auxiliary load configurable, and off-board mountable option



## E-Plus New Centurion

- Premium efficient two-speed delivering up to 58% savings
  - PSC on high speed, Cap Start/Cap Run on low speed
- Low start-up costs makes for an economical energy saving alternative
  - Runs quieter and cooler, reducing noise and heat
- Ideal for replacement where existing timer already in place



## 2Green

- Premium efficient two-speed design with built-in digital timer interface
- PSC on high speed, Cap Start/Cap Run on low speed
- Built-in battery backup protects programming for 7 full years
- Manual override for easy pool maintenance without disturbing timer programming
- LCD display with on-screen status updates, backlight, and adjustable contrast



**Century – Your Trusted Resource  
for Energy Efficient Pool & Spa Replacement Pump Motors!**  
Meeting California, Florida, and Arizona energy efficiency requirements for replacement motors.



*Formerly A. O. Smith Electrical Products Company*

1325 HEIL QUAKER BLVD.  
LAVERGNE, TN 37086  
PH: 800-672-6495  
FAX: 800-468-2062

[centuryelectricmotor.com](http://centuryelectricmotor.com)

A Regal Brand

The Regal logo, consisting of the word "REGAL" in a bold, italicized, white, sans-serif font, set against a dark gray, trapezoidal background that tapers to the right.

**REGAL**

[www.regalbeloit.com](http://www.regalbeloit.com)