

How do you clean this?



With *this.*

The Resort-30™

The #1 choice of waterpark, club, resort, military, and city managers from Key West to Okinawa. Perfectly suited for quick and easy spot cleaning or storm cleanup, the **Resort-30** is also ideal for lazy rivers. There are no valves to set, no pumps to prime, and no dangerous power cords. It's completely self-contained and portable, so you can vacuum your pool area even when electrical and water service are unavailable.

- Patented 30" wide easy-steering head
- Patented pressurized motor assembly
- 60' foam-jacketed floating power cord
- Color coded debris bags in three grades
- Long-wearing urethane head wheels
- Welded, powder-coated aluminum cart
- Non-marking gray tires
- All stainless hardware
- Proudly made in the USA

*Selected as one of the Top 50 Products for 2004
by Pool and Spa News*

Aerial photo courtesy of Calypso Bay Water Park, West Palm Beach, FL



The powerful 12-volt **HAMMER-HEAD** system has you cleaning instantly with no set-up time. Sand, leaves, sticks, even coins are pulled into the high-capacity debris bag, saving time, effort, and the pool's filtration system from unnecessary strain.

Big jobs or small, the HammerHead can handle it all - *faster!*

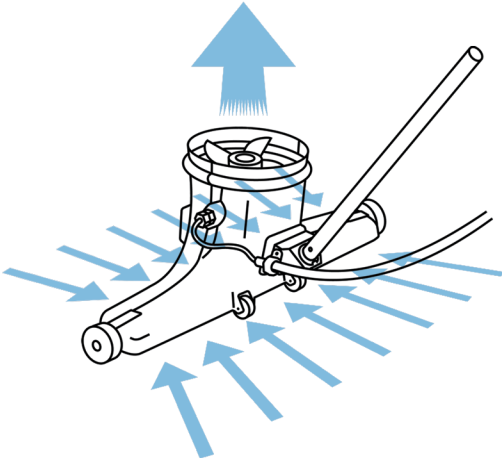


A TRUE ORIGINAL.

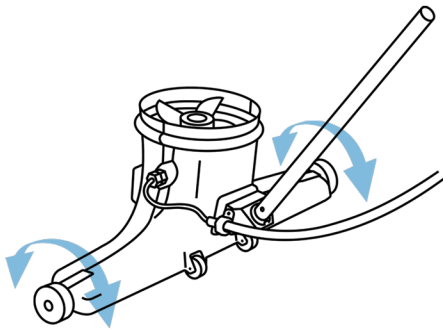
1-866-887-7983

www.hammerheadvac.com

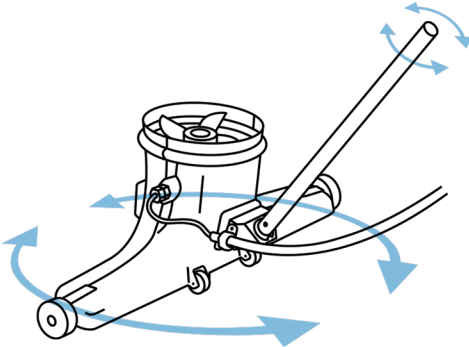
The Resort-30™ is designed to save you time. *Every time.*



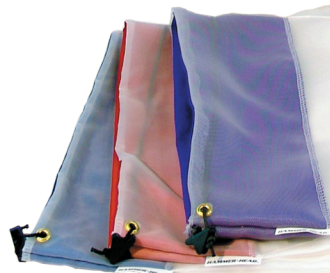
Outboard wheels keep the vacuum mouth unobstructed while protecting the head, and the 8" exhaust channel moves over 16,000 GPH.



The vacuum head rocks back when you push forward and forward when you pull back, concentrating the suction where it's needed most.



Twist the pole and the vacuum head responds by turning left or right.



UP TO 50% TIME SAVINGS PER CLEANING
NO VALVES TO SET OR HOSES TO PRIME
REDUCED FILTER AND STRAINER CLEANINGS
PORTABLE RECHARGEABLE 12 VOLT POWER
NO DANGEROUS HIGH VOLTAGES
SAFE AND EASY SPOT VACUUMING
MINIMAL TRAINING TO OPERATE

UNIT INCLUDES:
30" VACUUM HEAD,
60' FLOATING POWER CORD,
CART, BLUE STANDARD FINE BAG,
AND RED SUPER-FINE DEBRIS BAG.
DOES NOT INCLUDE BATTERY
OR BATTERY CHARGER.
ALSO SHOWN:
OPTIONAL PURPLE COARSE
"HURRICANE" BAG



A TRUE ORIGINAL.

1-866-887-7983

www.hammerheadvac.com